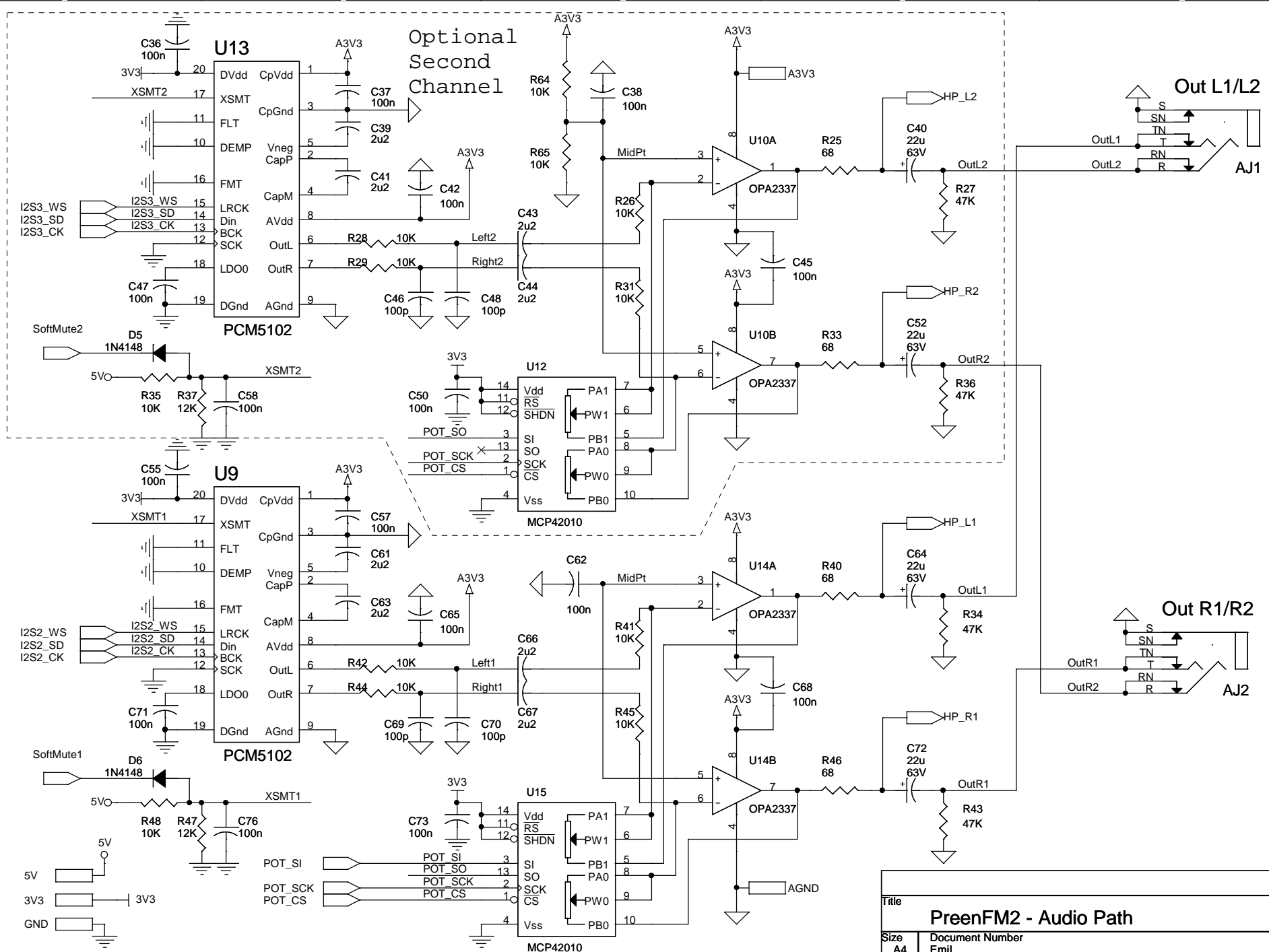


Title		
PreenFM2 - SMD version 2		
Size	Document Number	Rev
A4	Emil	2.0
Date:	Friday, January 26, 2018	Sheet 1 of 5

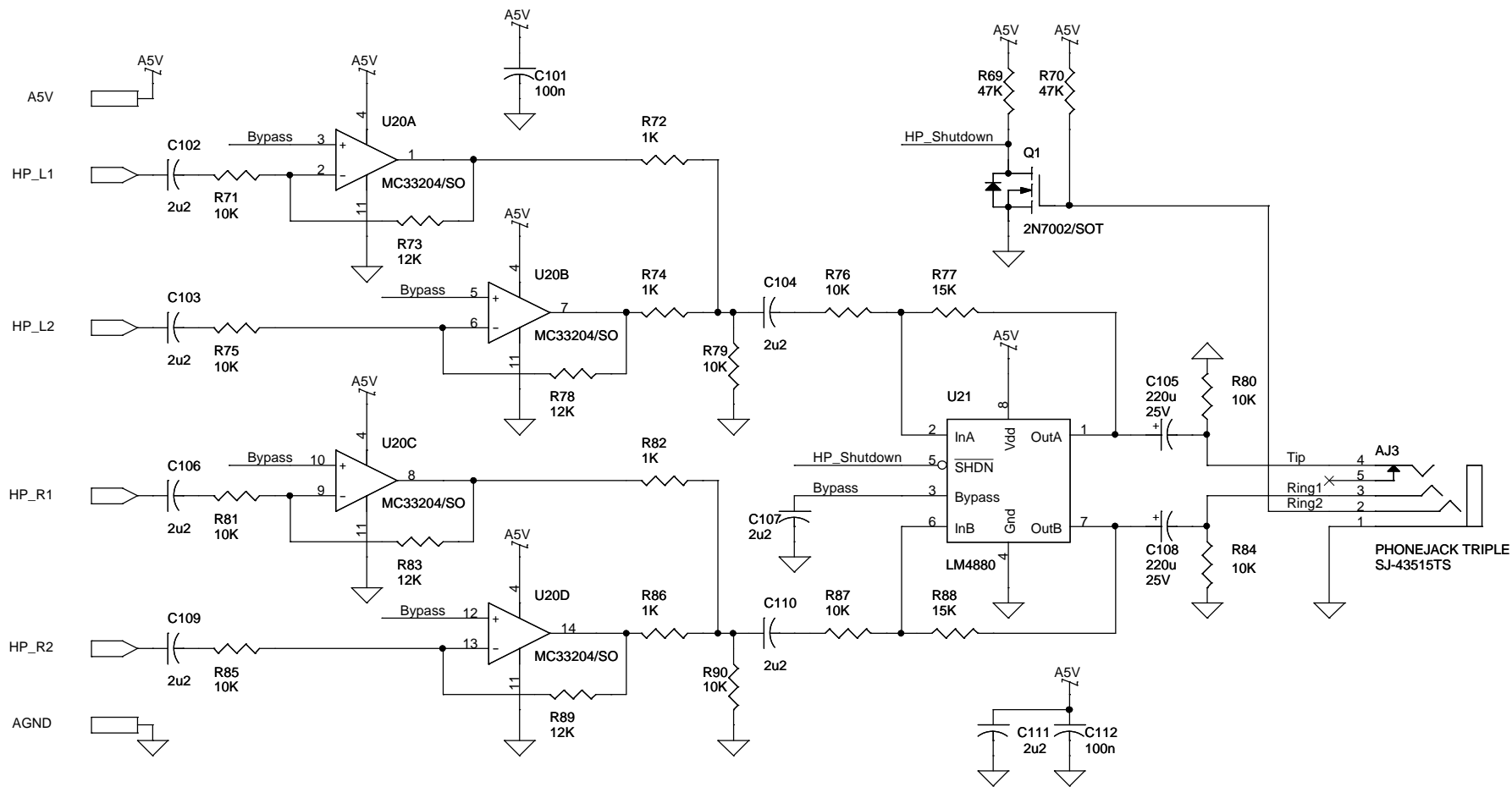


Optional
Second
Channel

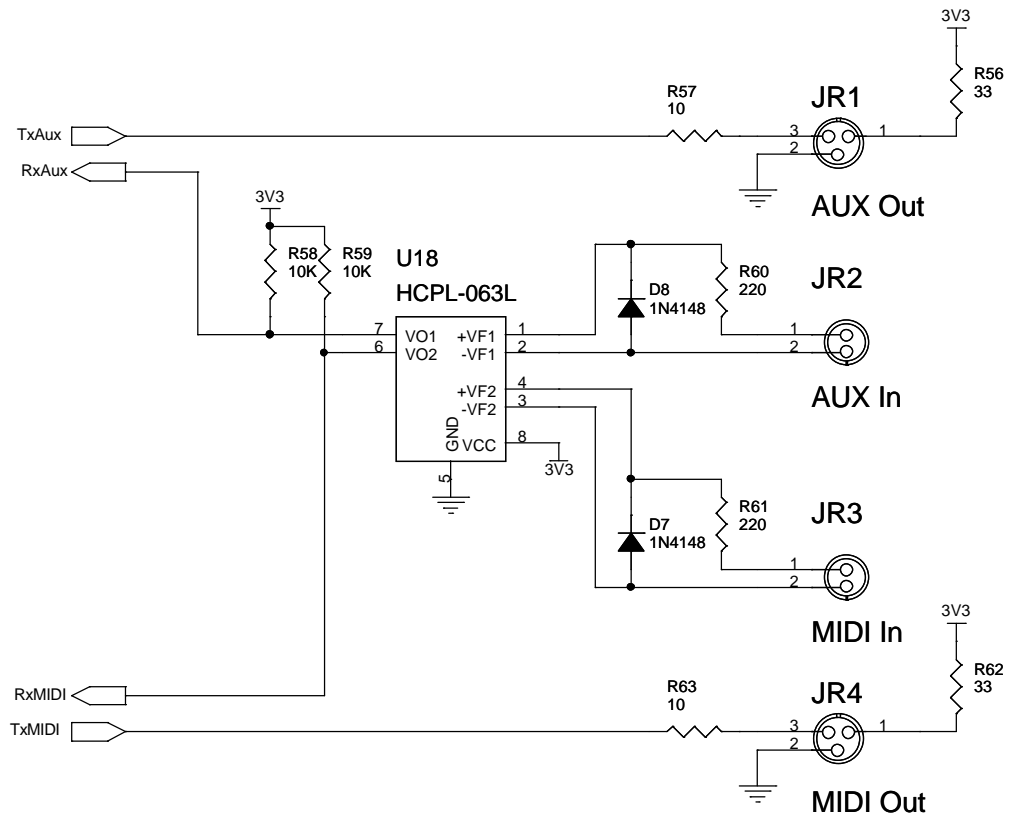
Out L1/L2

Out R1/R2

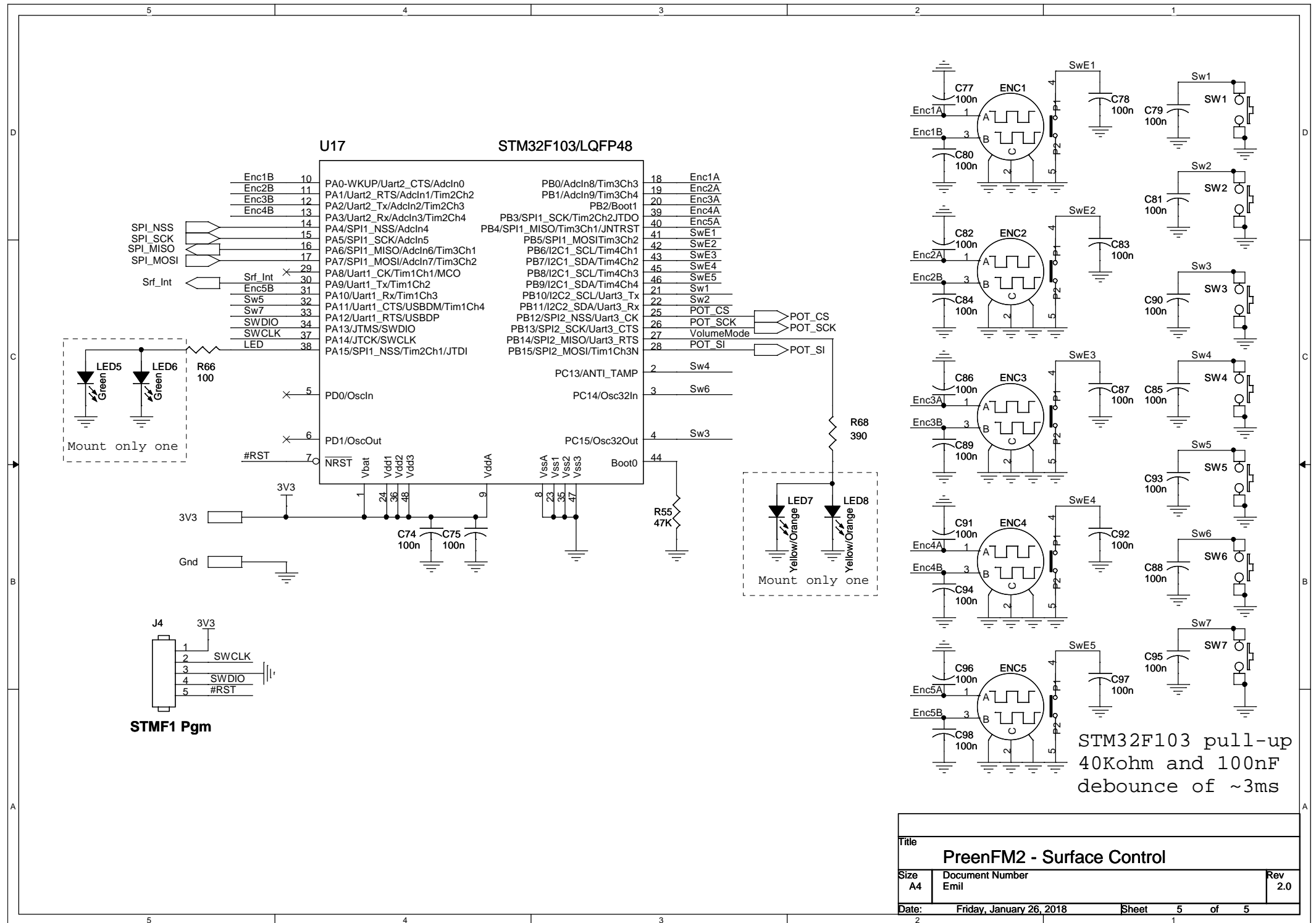
Title		
PreenFM2 - Audio Path		
Size	Document Number	Rev
A4	Emil	2.0
Date:	Friday, January 26, 2018	Sheet 2 of 5



Title		
HeadPhones Amplifier		
Size	Document Number	Rev
A4	Emil	2.0
Date:	Friday, January 26, 2018	Sheet 3 of 5

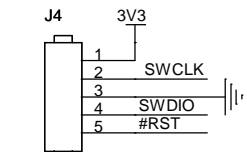
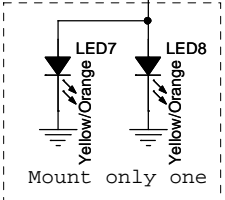
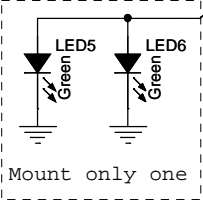


Title		
PreenFM2 - MIDI & AUX Interface		
Size	Document Number	Rev
A4	Emil	2.0
Date:	Friday, January 26, 2018	Sheet 4 of 5



U17 STM32F103/LQFP48

Enc1B	10	PA0-WKUP/Uart2_CTS/Adcln0	PB0/Adcln8/Tim3Ch3	18	Enc1A
Enc2B	11	PA1/Uart2_RTS/Adcln1/Tim2Ch2	PB1/Adcln9/Tim3Ch4	19	Enc2A
Enc3B	12	PA2/Uart2_Tx/Adcln2/Tim2Ch3	PB2/Boot1	20	Enc3A
Enc4B	13	PA3/Uart2_Rx/Adcln3/Tim2Ch4	PB3/SPI1_SCK/Tim2Ch2JTDO	39	Enc4A
SPI_NSS	14	PA4/SPI1_NSS/Adcln4	PB4/SPI1_MISO/Tim3Ch1/JNTRST	40	Enc5A
SPI_SCK	15	PA5/SPI1_SCK/Adcln5	PB5/SPI1_MOSITim3Ch2	41	SwE1
SPI_MISO	16	PA6/SPI1_MISO/Adcln6/Tim3Ch1	PB6/I2C1_SCL/Tim4Ch1	42	SwE2
SPI_MOSI	17	PA7/SPI1_MOSI/Adcln7/Tim3Ch2	PB7/I2C1_SDA/Tim4Ch2	43	SwE3
Srf_Int	29	PA8/Uart1_CK/Tim1Ch1/MCO	PB8/I2C1_SCL/Tim4Ch3	45	SwE4
Enc5B	31	PA9/Uart1_Tx/Tim1Ch2	PB9/I2C1_SDA/Tim4Ch4	46	SwE5
Sw5	32	PA10/Uart1_Rx/Tim1Ch3	PB10/I2C2_SCL/Uart3_Tx	21	Sw1
Sw7	33	PA11/Uart1_CTS/USBDM/Tim1Ch4	PB11/I2C2_SDA/Uart3_Rx	22	Sw2
SWDIO	34	PA12/Uart1_RTS/USBDP	PB12/SPI2_NSS/Uart3_CK	25	POT_CS
SWCLK	37	PA13/JTMS/SWDIO	PB13/SPI2_SCK/Uart3_CTS	26	POT_SCK
LED	38	PA14/JTCK/SWCLK	PB14/SPI2_MISO/Uart3_RTS	27	VolumeMode
		PA15/SPI1_NSS/Tim2Ch1/JTDI	PB15/SPI2_MOSI/Tim1Ch3N	28	POT_SI



STMF1 Pgm

STM32F103 pull-up
40Kohm and 100nF
debounce of ~3ms

Title		
PreenFM2 - Surface Control		
Size	Document Number	Rev
A4	Emil	2.0
Date:	Friday, January 26, 2018	Sheet 5 of 5