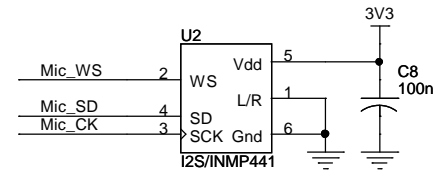
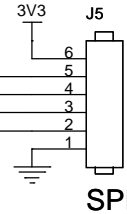
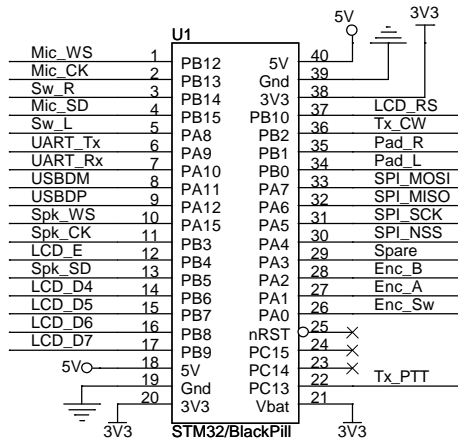
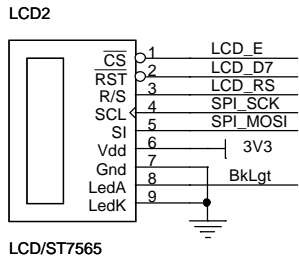
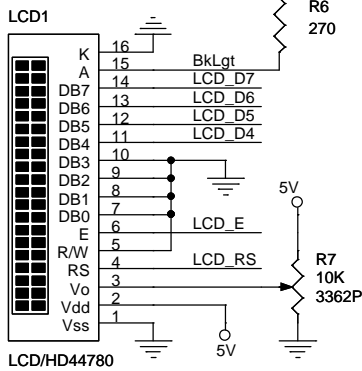
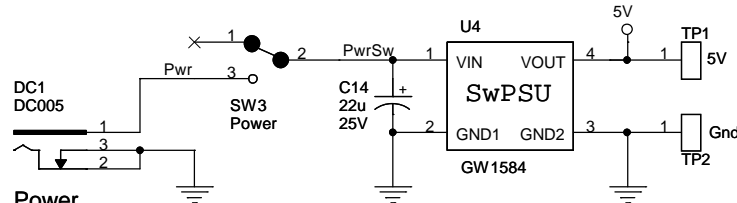
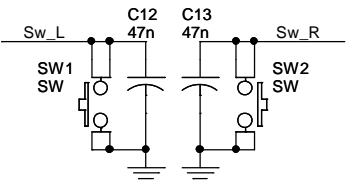


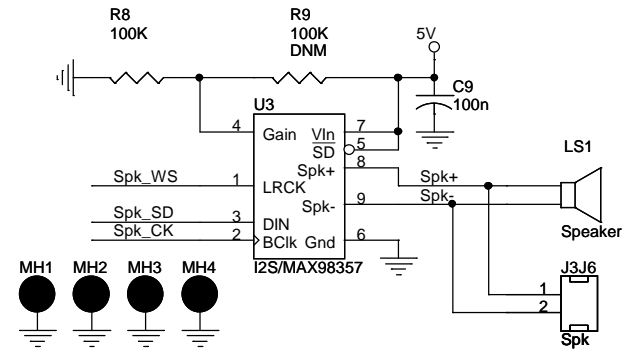
Serial



Fit either:
alphanumeric LCD1 or
graphic 128x64 LCD2



Power
8 - 20V



| | | |
|---------------------------|-----------------------|--------------|
| Title | | |
| BlackPill-CW-Keyer | | |
| Size | Document Number | Rev |
| A4 | Emil | 1.0 |
| Date: | Tuesday, May 31, 2022 | Sheet 1 of 1 |