

SILICON NPN POWER DARLINGTON TRANSISTOR

- SGS-THOMSON PREFERRED SALESTYPE
- HIGH GAIN
- NPN DARLINGTON
- HIGH CURRENT
- HIGH DISSIPATION
- INTEGRATED ANTIPARALLEL COLLECTOR-EMITTER DIODE

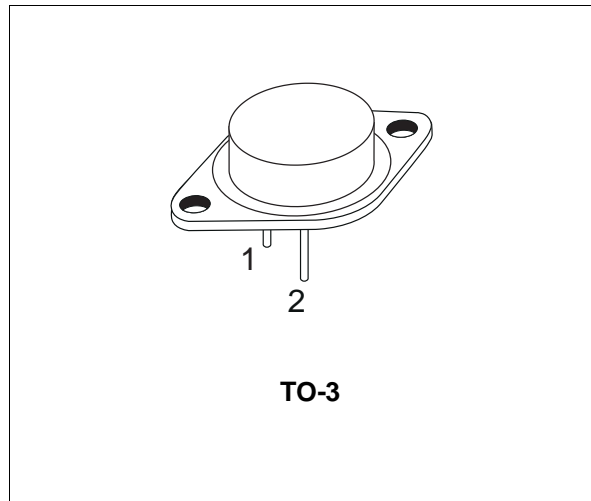
APPLICATIONS

- LINEAR AND SWITCHING INDUSTRIAL EQUIPMENT

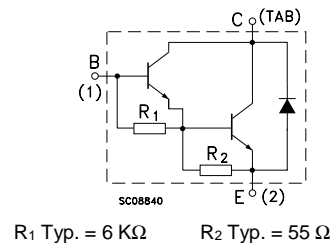
DESCRIPTION

The 2N6059 is a silicon epitaxial-base NPN transistor in monolithic Darlington configuration mounted in Jedec TO-3 metal case.

It is intended for use in power linear and low frequency switching applications.



INTERNAL SCHEMATIC DIAGRAM



ABSOLUTE MAXIMUM RATINGS

Symbol	Parameter	Value	Unit
V _{CBO}	Collector-Base Voltage (I _E = 0)	100	V
V _{CEX}	Collector-Emitter Voltage (V _{BE} = -1.5V)	100	V
V _{CEO}	Collector-Emitter Voltage (I _B = 0)	100	V
V _{EBO}	Emitter-Base Voltage (I _C = 0)	5	V
I _C	Collector Current	12	A
I _{CM}	Collector Peak Current	20	A
I _B	Base Current	0.2	A
P _{tot}	Total Dissipation at T _c ≤ 25 °C	150	W
T _{stg}	Storage Temperature	-65 to 200	°C
T _j	Max. Operating Junction Temperature	200	°C

For PNP types voltage and current values are negative.

2N6059

THERMAL DATA

R _{thj-case}	Thermal Resistance Junction-case	Max	1.17	°C/W
-----------------------	----------------------------------	-----	------	------

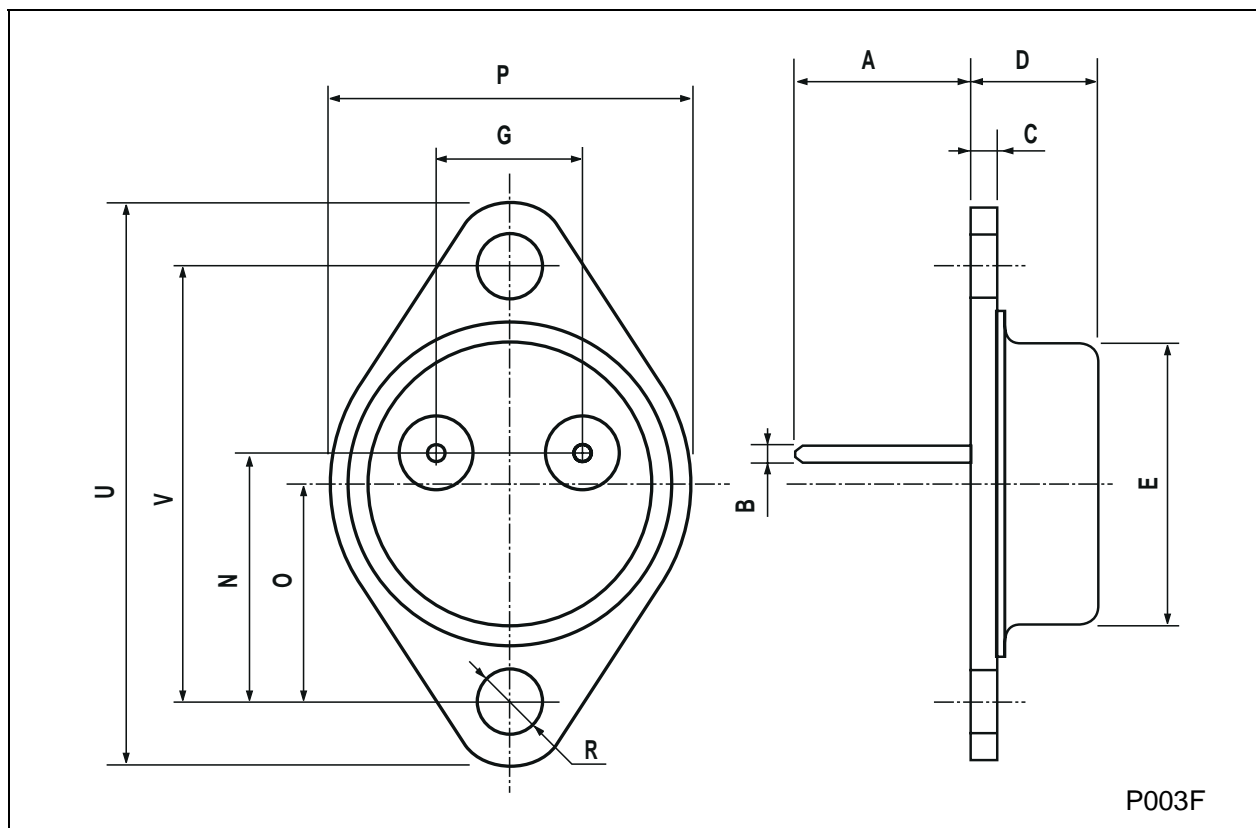
ELECTRICAL CHARACTERISTICS (T_{case} = 25 °C unless otherwise specified)

Symbol	Parameter	Test Conditions	Min.	Typ.	Max.	Unit
I _{C EX}	Collector Cut-off Current (V _{BE} = -1.5V)	V _{CE} = rated V _{CEX} V _{CE} = rated V _{CEX} T _C = 150 °C			0.5 5	mA mA
I _{C EO}	Collector Cut-off Current (I _B = 0)	V _{CE} = 50 V			1	mA
I _{E BO}	Emitter Cut-off Current (I _C = 0)	V _{EB} = 5 V			2	mA
V _{CEO(sus)*}	Collector-Emitter Sustaining Voltage	I _C = 100 mA	100			V
V _{CE(sat)*}	Collector-Emitter Saturation Voltage	I _C = 6 A I _B = 24 mA I _C = 12 A I _B = 120 mA			2 3	V V
V _{BE(sat)*}	Base-Emitter Saturation Voltage	I _C = 12 A I _B = 120 mA			4	V
V _{BE*}	Base-Emitter Voltage	I _C = 6 A V _{CE} = 3 V			2.8	V
h _{FE*}	DC Current Gain	I _C = 6 A V _{CE} = 3 V I _C = 12 A V _{CE} = 3 V	750 100			
f _T	Transition frequency	I _C = 5 A V _{CE} = 3 V f = 1 MHz	4			MHz

* Pulsed: Pulse duration = 300 μs, duty cycle 1.5 %

TO-3 MECHANICAL DATA

DIM.	mm			inch		
	MIN.	TYP.	MAX.	MIN.	TYP.	MAX.
A	11.00		13.10	0.433		0.516
B	0.97		1.15	0.038		0.045
C	1.50		1.65	0.059		0.065
D	8.32		8.92	0.327		0.351
E	19.00		20.00	0.748		0.787
G	10.70		11.10	0.421		0.437
N	16.50		17.20	0.649		0.677
P	25.00		26.00	0.984		1.023
R	4.00		4.09	0.157		0.161
U	38.50		39.30	1.515		1.547
V	30.00		30.30	1.187		1.193



Information furnished is believed to be accurate and reliable. However, SGS-THOMSON Microelectronics assumes no responsibility for the consequences of use of such information nor for any infringement of patents or other rights of third parties which may result from its use. No license is granted by implication or otherwise under any patent or patent rights of SGS-THOMSON Microelectronics. Specifications mentioned in this publication are subject to change without notice. This publication supersedes and replaces all information previously supplied. SGS-THOMSON Microelectronics products are not authorized for use as critical components in life support devices or systems without express written approval of SGS-THOMSON Microelectronics.

© 1997 SGS-THOMSON Microelectronics - Printed in Italy - All Rights Reserved

SGS-THOMSON Microelectronics GROUP OF COMPANIES
Australia - Brazil - Canada - China - France - Germany - Hong Kong - Italy - Japan - Korea - Malaysia - Malta - Morocco - The Netherlands -
Singapore - Spain - Sweden - Switzerland - Taiwan - Thailand - United Kingdom - U.S.A
...