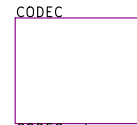


RF_msi001



RF_msi001.sch



CODEC.sch

CPU



CPU.sch



Designed by R6DCY

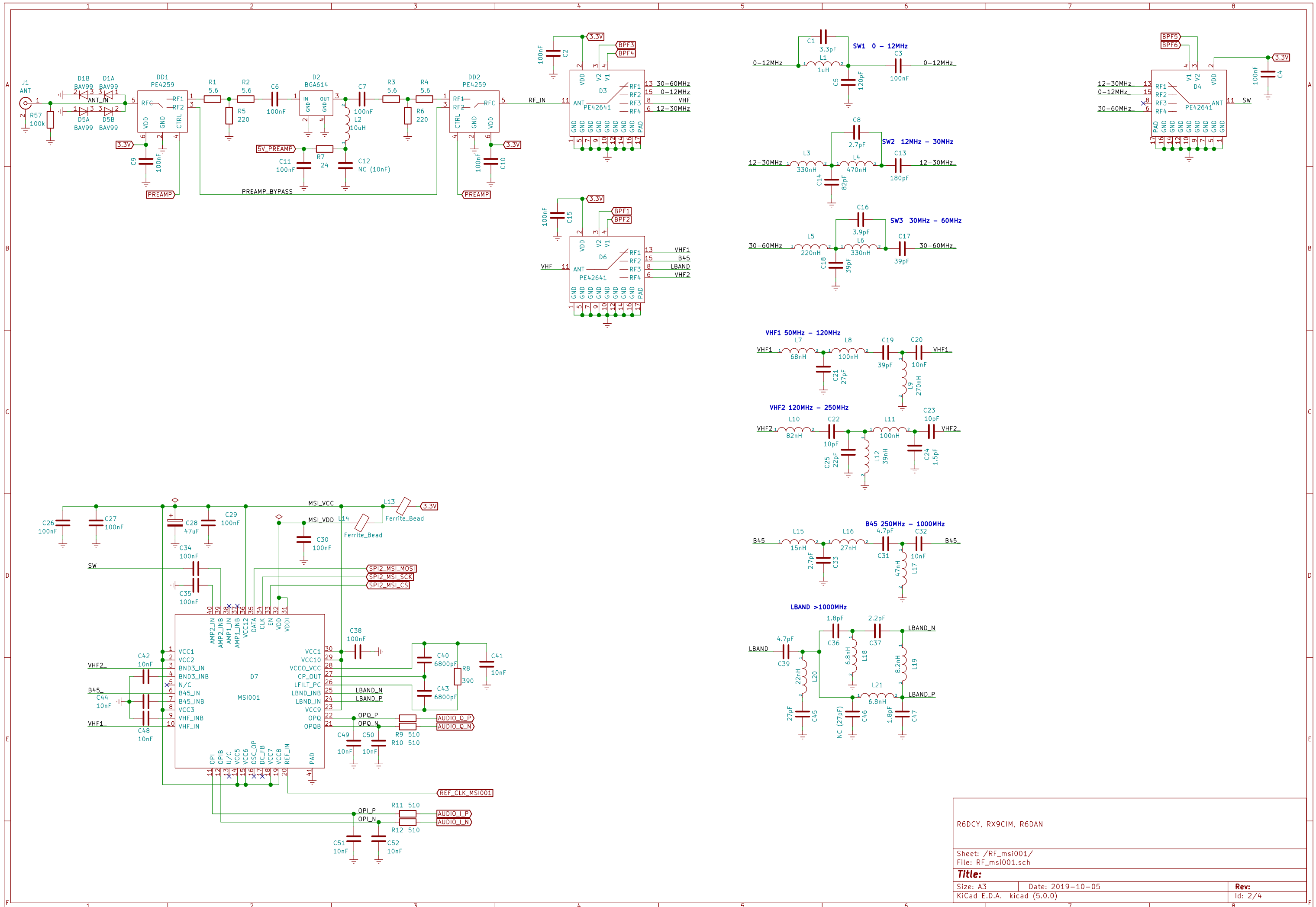
R6DCY, RX9CIM, R6DAN

Sheet: /
File: Receiver20.sch

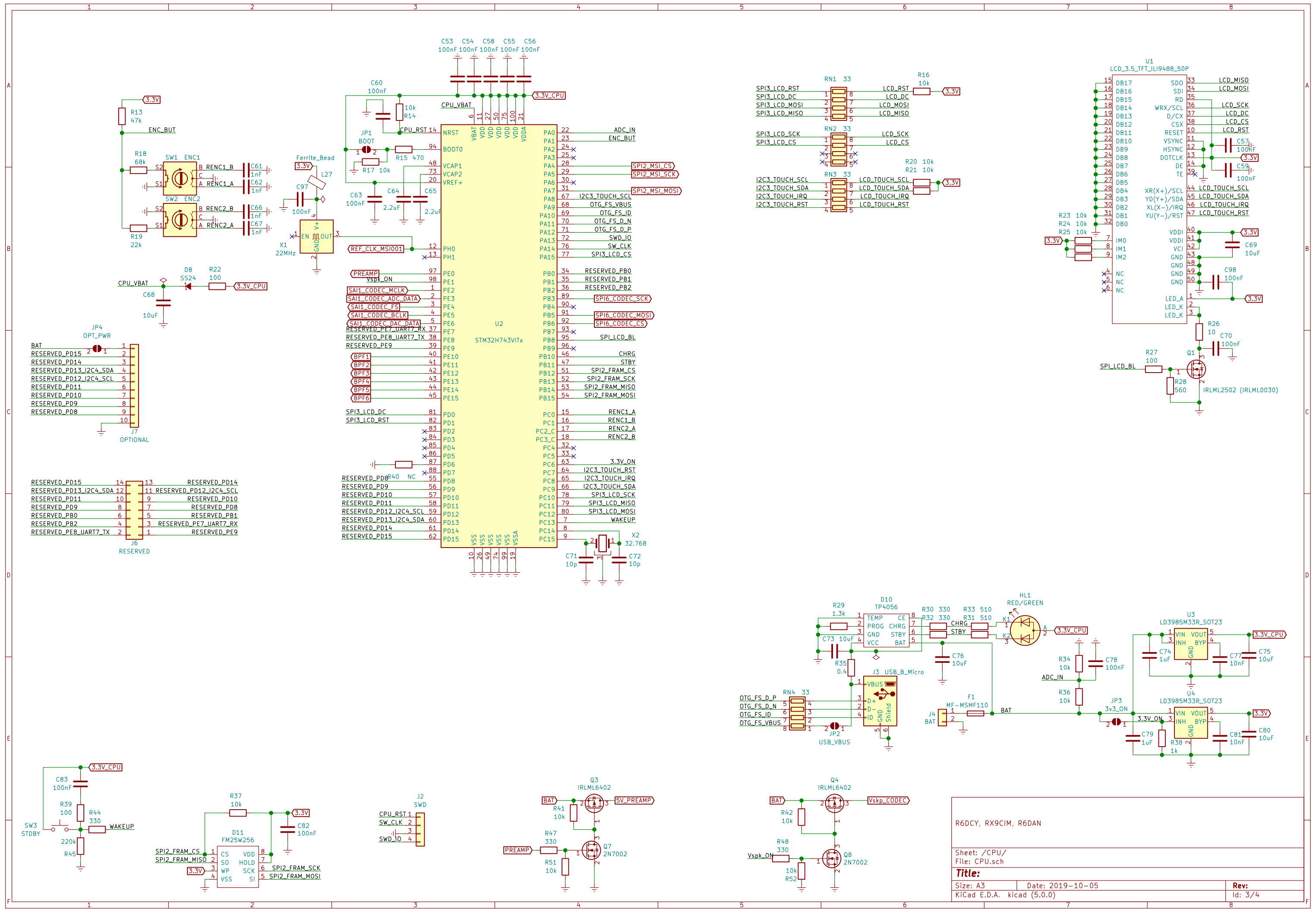
Title:

Size: A3 Date: 2019-10-05
KiCad E.D.A. kicad (5.0.0)

Rev:
Id: 1/4



R6DCY, RX9CIM, R6DAN		
Sheet: /RF_msi001/ File: RF_msi001.sch		
Title:		
Size: A3	Date: 2019-10-05	Rev:
KiCad E.D.A. kicad (5.0.0)		Id: 2/4



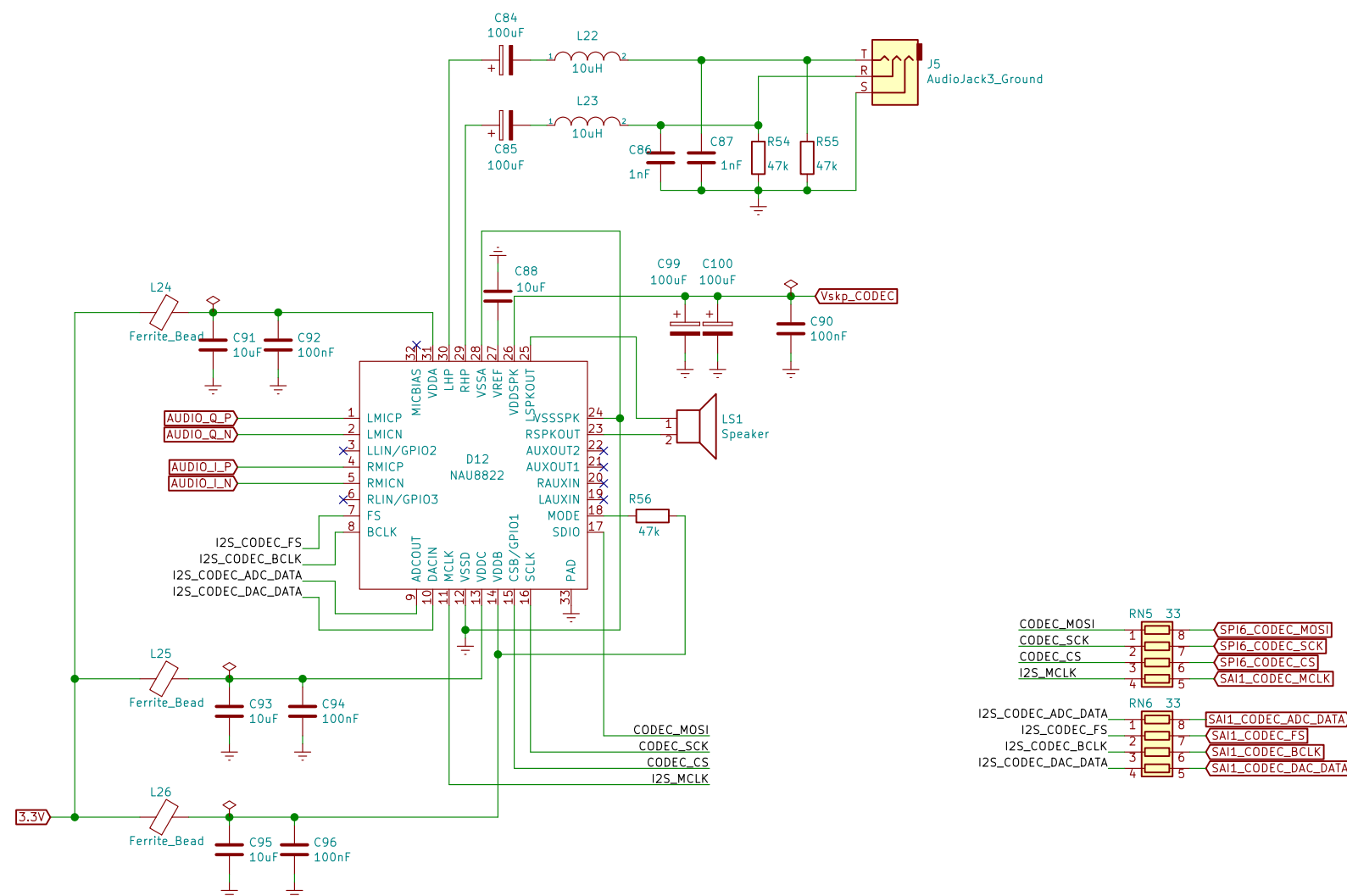
R6DCY, RX9CIM, R6DAN

Sheet: /CPU/
File: CPU.sch

Title:

Size: A3 Date: 2019-10-05 **Rev:**

KiCad E.D.A. kicad (5.0.0) Id: 3/4



RN5 33			
CODEC_MOSI	1	8	SPI6_CODEC_MOSI
CODEC_SCK	2	7	SPI6_CODEC_SCK
CODEC_CS	3	6	SPI6_CODEC_CS
I2S_MCLK	4	5	SAI1_CODEC_MCLK

RN6 33			
I2S_CODEC_ADC_DATA	1	8	SAI1_CODEC_ADC_DATA
I2S_CODEC_FS	2	7	SAI1_CODEC_FS
I2S_CODEC_BCLK	3	6	SAI1_CODEC_BCLK
I2S_CODEC_DAC_DATA	4	5	SAI1_CODEC_DAC_DATA