

# MX25L3233F

3V, 32M-BIT [x 1/x 2/x 4]  
CMOS MXSMIO<sup>®</sup> (SERIAL MULTI I/O)  
FLASH MEMORY

## **Key Features**

- *Hold Feature*
- *Multi I/O Support - Single I/O, Dual I/O and Quad I/O*
- *Auto Erase and Auto Program Algorithms*
- *Program Suspend/Resume & Erase Suspend/Resume*

# Contents

<b>1. FEATURES</b> .....	<b>5</b>
<b>2. GENERAL DESCRIPTION</b> .....	<b>6</b>
<b>3. PIN CONFIGURATION</b> .....	<b>7</b>
<b>4. PIN DESCRIPTION</b> .....	<b>7</b>
<b>5. BLOCK DIAGRAM</b> .....	<b>8</b>
<b>6. DATA PROTECTION</b> .....	<b>9</b>
Table 1. Protected Area Sizes .....	10
Table 2. 4K-bit Secured OTP Definition .....	11
<b>7. MEMORY ORGANIZATION</b> .....	<b>12</b>
Table 3. Memory Organization .....	12
<b>8. DEVICE OPERATION</b> .....	<b>13</b>
<b>9. HOLD FEATURE</b> .....	<b>14</b>
<b>10. COMMAND DESCRIPTION</b> .....	<b>16</b>
Table 4. Command Sets.....	16
10-1. Write Enable (WREN).....	19
10-2. Write Disable (WRDI).....	20
10-3. Read Identification (RDID).....	21
10-4. Read Status Register (RDSR).....	22
10-5. Read Configuration Register (RDCR).....	23
Table 5. Status Register.....	24
Table 6. Configuration Register.....	25
Table 7. Dummy Cycle and Frequency Table.....	25
10-6. Write Status Register (WRSR).....	26
Table 8. Protection Modes.....	27
10-7. Read Data Bytes (READ) .....	29
10-8. Read Data Bytes at Higher Speed (FAST_READ) .....	30
10-9. Dual Read Mode (DREAD).....	31
10-10. 2 x I/O Read Mode (2READ) .....	32
10-11. Quad Read Mode (QREAD) .....	33
10-12. 4 x I/O Read Mode (4READ) .....	34
10-13. Performance Enhance Mode - XIP (execute-in-place) .....	36
10-14. Burst Read.....	37
10-15. Sector Erase (SE).....	38
10-16. Block Erase (BE) .....	39
10-17. Block Erase (BE32K).....	40
10-18. Chip Erase (CE).....	41
10-19. Page Program (PP) .....	42
10-20. 4 x I/O Page Program (4PP).....	43
10-21. Deep Power-down (DP).....	46
10-22. Release from Deep Power-down (RDP), Read Electronic Signature (RES) .....	47
10-23. Read Electronic Manufacturer ID & Device ID (REMS).....	49
Table 9. ID Definitions .....	50
10-24. Enter Secured OTP (ENSO).....	50
10-25. Exit Secured OTP (EXSO).....	50
10-26. Read Security Register (RDSCUR).....	51
Table 10. Security Register Definition .....	52
10-27. Write Security Register (WRSCUR).....	53

10-28. Program Suspend and Erase Suspend .....	54
Table 11. Readable Area of Memory While a Program or Erase Operation is Suspended .....	54
Table 12. Acceptable Commands During Program/Erase Suspend after tPSL/tESL.....	55
Table 13. Acceptable Commands During Suspend (tPSL/tESL not required).....	55
10-29. Program Resume and Erase Resume.....	56
10-30. No Operation (NOP) .....	57
10-31. Software Reset (Reset-Enable (RSTEN) and Reset (RST)) .....	57
10-32. Read SFDP Mode (RDSFDP).....	58
Table 14. Signature and Parameter Identification Data Values .....	59
Table 15. Parameter Table (0): JEDEC Flash Parameter Tables .....	60
Table 16. Parameter Table (1): Macronix Flash Parameter Tables .....	62
<b>11. POWER-ON STATE .....</b>	<b>64</b>
<b>12. Electrical Specifications .....</b>	<b>65</b>
12-1. Absolute Maximum Ratings .....	65
12-2. Capacitance TA = 25°C, f = 1.0 MHz .....	65
Table 17. DC Characteristics.....	67
Table 18. AC Characteristics .....	68
<b>13. TIMING ANALYSIS .....</b>	<b>70</b>
<b>14. OPERATING CONDITIONS.....</b>	<b>72</b>
Table 19. Power-Up/Down Voltage and Timing.....	74
14-1. Initial Delivery State .....	74
<b>15. ERASE AND PROGRAMMING PERFORMANCE .....</b>	<b>75</b>
<b>16. DATA RETENTION .....</b>	<b>75</b>
<b>17. LATCH-UP CHARACTERISTICS .....</b>	<b>75</b>
<b>18. ORDERING INFORMATION .....</b>	<b>76</b>
<b>19. PART NAME DESCRIPTION.....</b>	<b>77</b>
<b>20. PACKAGE INFORMATION.....</b>	<b>78</b>
20-1. 8-pin SOP (150mil) .....	78
20-2. 8-pin SOP (200mil) .....	79
20-3. 8-land USON (4x3mm) .....	80
20-4. 16-pin SOP (300mil) .....	81
20-5. 8-WSON (6x5mm) .....	82
20-6. 8-land XSON(4x4mm) .....	83
<b>21. REVISION HISTORY .....</b>	<b>84</b>

## Figures

Figure 1. Serial Modes Supported (for Normal Serial mode).....	13
Figure 2. Hold Condition Operation .....	14
Figure 3. Write Enable (WREN) Sequence (Command 06h).....	19
Figure 4. Write Disable (WRDI) Sequence (Command 04h) .....	20
Figure 5. Read Identification (RDID) Sequence (Command 9Fh) .....	21
Figure 6. Read Status Register (RDSR) Sequence (Command 05h).....	22
Figure 7. Read Configuration Register (RDCR) Sequence .....	23
Figure 8. Write Status Register (WRSR) Sequence (Command 01h) .....	26
Figure 9. WRSR flow .....	28
Figure 10. Read Data Bytes (READ) Sequence (Command 03h).....	29
Figure 11. Read at Higher Speed (FAST_READ) Sequence (Command 0Bh) .....	30
Figure 12. Dual Read Mode Sequence (Command 3Bh).....	31
Figure 13. 2 x I/O Read Mode Sequence (Command BBh) .....	32
Figure 14. Quad Read Mode Sequence (Command 6Bh).....	33
Figure 15. 4 x I/O Read Mode Sequence (Command EBh) .....	34
Figure 16. 4 x I/O Read enhance performance Mode Sequence (Command EBh) .....	36
Figure 17. Burst Read.....	37
Figure 18. Sector Erase (SE) Sequence (Command 20h) .....	38
Figure 19. Block Erase (BE) Sequence (Command D8h) .....	39
Figure 20. Block Erase 32KB (BE32K) Sequence (Command 52h).....	40
Figure 21. Chip Erase (CE) Sequence (Command 60h or C7h) .....	41
Figure 22. Page Program (PP) Sequence (Command 02h).....	42
Figure 23. 4 x I/O Page Program (4PP) Sequence (Command 38h) .....	43
Figure 24. Program/Erase Flow(1) with read array data.....	44
Figure 25. Program/Erase Flow(2) without read array data.....	45
Figure 26. Deep Power-down (DP) Sequence (Command B9h) .....	46
Figure 27. Release from Deep Power-down and Read Electronic Signature (RES) Sequence (Command ABh) .....	47
Figure 28. Release from Deep Power-down (RDP) Sequence .....	48
Figure 29. Read Electronic Manufacturer & Device ID (REMS) Sequence .....	49
Figure 30. Read Security Register (RDSCUR) Sequence (Command 2Bh) .....	51
Figure 31. Write Security Register (WRSCUR) Sequence (Command 2Fh) .....	53
Figure 32. Suspend to Read Latency .....	54
Figure 33. Resume to Suspend Latency .....	55
Figure 34. Suspend to Program Latency .....	56
Figure 35. Resume to Read Latency .....	56
Figure 36. Software Reset Recovery.....	57
Figure 37. Read Serial Flash Discoverable Parameter (RDSFDP) Sequence .....	58
Figure 38. Maximum Negative Overshoot Waveform .....	65
Figure 39. Maximum Positive Overshoot Waveform.....	65
Figure 40. Data Input Test Waveforms and Measurement Level.....	66
Figure 41. Output Loading .....	66
Figure 42. SCLK TIMING DEFINITION .....	66
Figure 43. Serial Input Timing .....	70
Figure 44. Output Timing .....	70
Figure 45. Hold Timing.....	71
Figure 46. WP# Setup Timing and Hold Timing during WRSR when SRWD=1 .....	71
Figure 47. AC Timing at Device Power-Up .....	72
Figure 48. Power-Down Sequence.....	73
Figure 49. Power-up Timing.....	73
Figure 50. Power Up/Down and Voltage Drop.....	74

## 32M-BIT [x 1 / x 2 / x 4] CMOS MXSMIO® (SERIAL MULTI I/O) FLASH MEMORY

### 1. FEATURES

#### GENERAL

- Supports Serial Peripheral Interface -- Mode 0 and Mode 3
- 33,554,432 x 1 bit structure  
or 16,777,216 x 2 bits (two I/O read mode) structure  
or 8,388,608 x 4 bits (four I/O mode) structure
- 1024 Equal Sectors with 4K bytes each
  - Any Sector can be erased individually
- 128 Equal Blocks with 32K bytes each
  - Any Block can be erased individually
- 64 Equal Blocks with 64K bytes each
  - Any Block can be erased individually
- Power Supply Operation
  - 2.65 to 3.6 volts for read, erase, and program operations
- Latch-up protected to 100mA from -1V to Vcc +1V
- Supports Performance Enhance Mode - XIP (execute-in-place)
  - 1-byte Command code

#### PERFORMANCE

- High Performance  
VCC = 2.65 to 3.6V
    - Normal read
      - 50MHz
    - Fast read
      - FAST\_READ, DREAD, QREAD:  
133MHz with 8 dummy cycles
      - 2READ:  
104MHz with 4 dummy cycles,  
133MHz with 8 dummy cycles
      - 4READ:  
104MHz with 6 dummy cycles,  
133MHz with 10 dummy cycles
      - Configurable dummy cycle number for 2READ and 4READ operation
      - 8/16/32/64 byte Wrap-Around Burst Read Mode
  - Low Power Consumption
  - Typical 100,000 erase/program cycles
  - 20 years data retention
- Advanced Security Features
    - Block Lock Protection  
The BP0-BP3 and T/B status bits define the site of the area to be protected against program and erase instructions.
  - Additional 4K bits secured OTP
    - Features unique identifier
    - Factory locked identifiable and customer lockable
  - Auto Erase and Auto Program Algorithms
    - Automatically erases and verifies data at selected sector
    - Automatically programs and verifies data at selected page by an internal algorithm that automatically times the program pulse width (Any page to be programmed should have page in the erased state first.)
  - Status Register Feature
  - Command Reset
  - Program/Erase Suspend
  - Program/Erase Resume
  - Electronic Identification
    - JEDEC 1-byte Manufacturer ID and 2-byte Device ID
    - RES command for 1-byte Device ID
  - Supports Serial Flash Discoverable Parameters (SFDP) mode
- All devices are RoHS Compliant and Halogen-free**

#### KEY FEATURES

- Input Data Format

## 2. GENERAL DESCRIPTION

MX25L3233F is 32Mb bits Serial NOR Flash memory, which is configured as 4,194,304 x 8 internally. When it is in four I/O mode, the structure becomes 8,388,608 bits x 4. When it is in two I/O mode, the structure becomes 16,777,216 bits x 2.

MX25L3233F features a serial peripheral interface and software protocol allowing operation on a simple 3-wire bus while it is in single I/O mode. The three bus signals are a clock input (SCLK), a serial data input (SI), and a serial data output (SO). Serial access to the device is enabled by CS# input.

MX25L3233F, MXSMIO<sup>®</sup> (Serial Multi I/O) flash memory, provides sequential read operation on the whole chip and multi-I/O features.

When it is in quad I/O mode, the SI pin, SO pin, WP# pin and HOLD# pin become SIO0 pin, SIO1 pin, SIO2 pin and SIO3 pin for address/dummy bits input and data Input/Output.

After program/erase command is issued, auto program/erase algorithms which program/erase and verify the specified page or sector/block locations will be executed. Program command is executed on byte basis, or page (256 bytes) basis. Erase command is executed on 4K-byte sector, 32K-byte/64K-byte block, or whole chip basis.

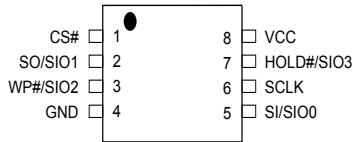
To provide user with ease of interface, a status register is included to indicate the status of the chip. The status read command can be issued to detect completion status of a program or erase operation via WIP bit.

When the device is not in operation and CS# is high, it will remain in standby mode.

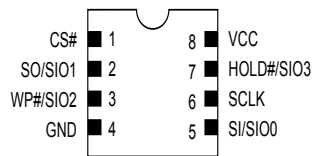
The MX25L3233F utilizes Macronix's proprietary memory cell, which reliably stores memory contents even after 100,000 program and erase cycles.

### 3. PIN CONFIGURATION

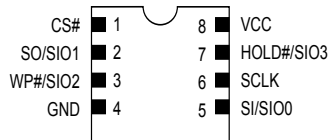
#### 8-PIN SOP (150mil)/8-PIN SOP (200mil)



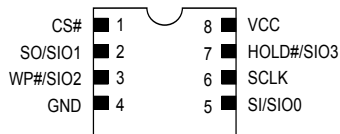
#### 8-LAND USON (4x3mm)



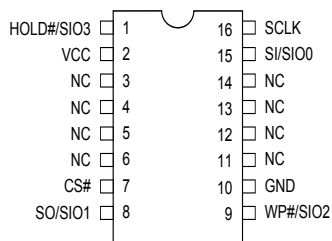
#### 8-WSON (6x5mm)



#### 8-LAND XSON(4x4mm)



#### 16-PIN SOP (300mil)



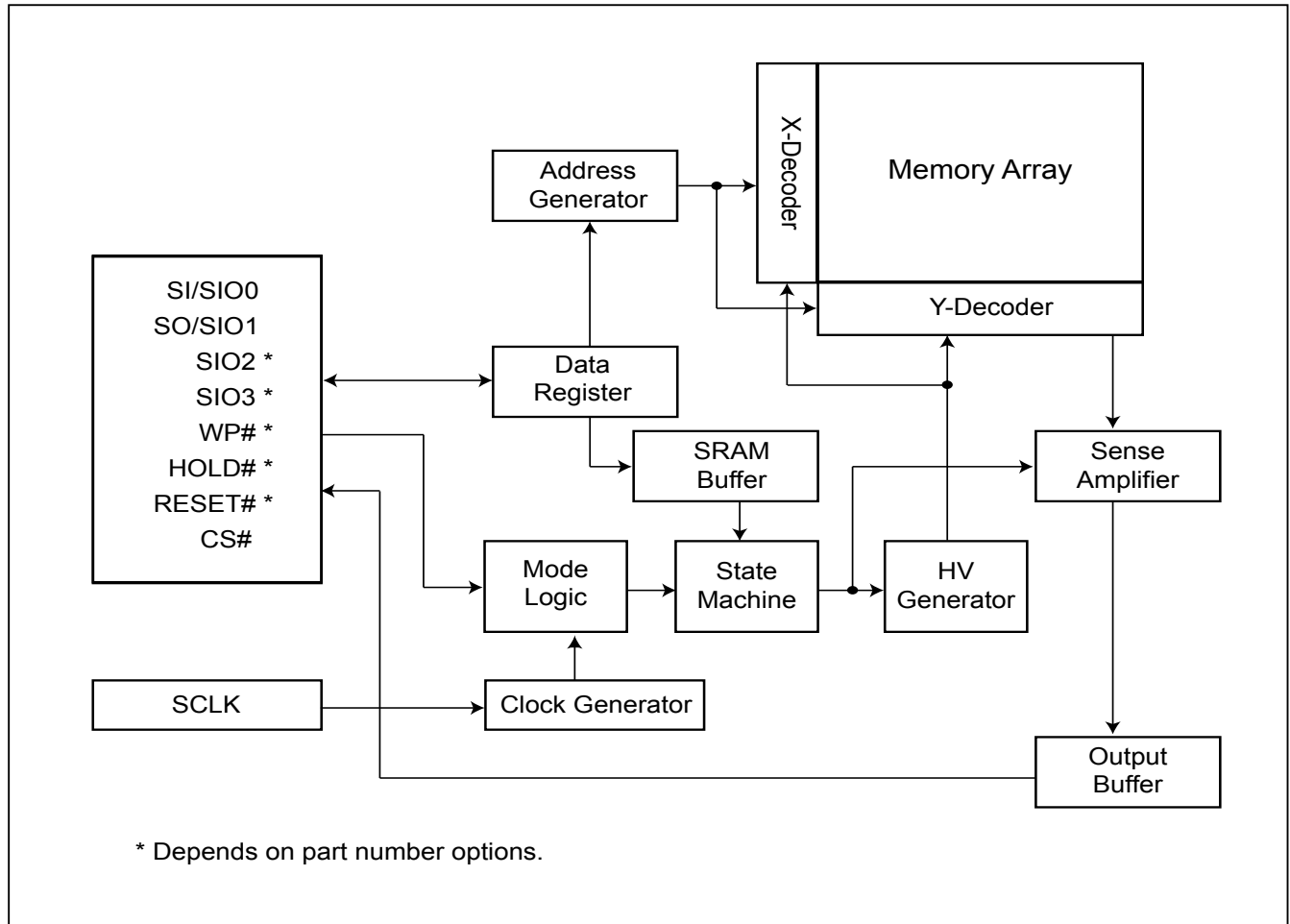
### 4. PIN DESCRIPTION

SYMBOL	DESCRIPTION
CS#	Chip Select
SI/SIO0	Serial Data Input (for 1xI/O)/ Serial Data Input & Output (for 2xI/O mode and 4xI/O mode)
SO/SIO1	Serial Data Output (for 1xI/O)/Serial Data Input & Output (for 2xI/O mode and 4xI/O mode)
SCLK	Clock Input
WP#/SIO2	Write protection Active Low or Serial Data Input & Output (for 4xI/O mode)
HOLD#/SIO3	To pause the device without deselecting the device or Serial data Input/Output for 4 x I/O mode
VCC	+ 3.0V Power Supply
GND	Ground
NC	No Connection

**Note:**

1. The pin of HOLD#/SIO3 or WP#/SIO2 will remain internal pull up function while this pin is not physically connected in system configuration. However, the internal pull up function will be disabled if the system has physical connection to HOLD#/SIO3 or WP#/SIO2 pin.

**5. BLOCK DIAGRAM**





## 6. DATA PROTECTION

During power transition, there may be some false system level signals which result in inadvertent erasure or programming. The device is designed to protect itself from these accidental write cycles.

The state machine will be reset as standby mode automatically during power up. In addition, the control register architecture of the device constrains that the memory contents can only be changed after specific command sequences have completed successfully.

In the following, there are several features to protect the system from the accidental write cycles during VCC power-up and power-down or from system noise.

- Valid command length checking: The command length will be checked whether it is at byte base and completed on byte boundary.
- Write Enable (WREN) command: WREN command is required to set the Write Enable Latch bit (WEL) before other commands to change data.
- Deep Power Down Mode: By entering deep power down mode, the flash device also is under protected from writing all commands except Release from Deep Power Down mode command (RDP) and Read Electronic Signature command (RES).

### I. Block lock protection

- The Software Protected Mode (SPM) uses (TB, BP3, BP2, BP1, BP0) bits to allow part of memory to be protected as read only. The protected area definition is shown as table of "[Table 1. Protected Area Sizes](#)", the protected areas are more flexible which may protect various areas by setting value of TB, BP0-BP3 bits.
- The Hardware Protected Mode (HPM) uses WP#/SIO2 to protect the (BP3, BP2, BP1, BP0, TB) bits and SRWD bit.

**Table 1. Protected Area Sizes**

**Protected Area Sizes (TB bit = 0)**

Status bit				Protect Level
BP3	BP2	BP1	BP0	32Mb
0	0	0	0	0 (none)
0	0	0	1	1 (1block, block 63 <sup>rd</sup> )
0	0	1	0	2 (2blocks, block 62 <sup>nd</sup> -63 <sup>rd</sup> )
0	0	1	1	3 (4blocks, block 60 <sup>th</sup> -63 <sup>rd</sup> )
0	1	0	0	4 (8blocks, block 56 <sup>th</sup> -63 <sup>rd</sup> )
0	1	0	1	5 (16blocks, block 48 <sup>th</sup> -63 <sup>rd</sup> )
0	1	1	0	6 (32blocks, block 32 <sup>nd</sup> -63 <sup>rd</sup> )
0	1	1	1	7 (64blocks, protect all)
1	0	0	0	8 (64blocks, protect all)
1	0	0	1	9 (64blocks, protect all)
1	0	1	0	10 (64blocks, protect all)
1	0	1	1	11 (64blocks, protect all)
1	1	0	0	12 (64blocks, protect all)
1	1	0	1	13 (64blocks, protect all)
1	1	1	0	14 (64blocks, protect all)
1	1	1	1	15 (64blocks, protect all)

**Protected Area Sizes (TB bit = 1)**

Status bit				Protect Level
BP3	BP2	BP1	BP0	32Mb
0	0	0	0	0 (none)
0	0	0	1	1 (1block, block 0 <sup>th</sup> )
0	0	1	0	2 (2blocks, block 0 <sup>th</sup> -1 <sup>st</sup> )
0	0	1	1	3 (4blocks, block 0 <sup>th</sup> -3 <sup>rd</sup> )
0	1	0	0	4 (8blocks, block 0 <sup>th</sup> -7 <sup>th</sup> )
0	1	0	1	5 (16blocks, block 0 <sup>th</sup> -15 <sup>th</sup> )
0	1	1	0	6 (32blocks, block 0 <sup>th</sup> -31 <sup>st</sup> )
0	1	1	1	7 (64blocks, protect all)
1	0	0	0	8 (64blocks, protect all)
1	0	0	1	9 (64blocks, protect all)
1	0	1	0	10 (64blocks, protect all)
1	0	1	1	11 (64blocks, protect all)
1	1	0	0	12 (64blocks, protect all)
1	1	0	1	13 (64blocks, protect all)
1	1	1	0	14 (64blocks, protect all)
1	1	1	1	15 (64blocks, protect all)

**Note:** The device is ready to accept a Chip Erase instruction if, and only if, all Block Protect (BP3, BP2, BP1, BP0) are 0.

**II. Additional 4K-bit secured OTP** for an unique identifier to provide an 4K-bit one-time program area for setting a device unique serial number. This may be accomplished in the factory or by an end systems customer.

- Security register bit 0 indicates whether the chip is locked by factory or not.
- The 4K-bit secured OTP area is programmed by entering secured OTP mode (with the Enter Security OTP command), and going through a normal program procedure. Exiting secured OTP mode is done by issuing the Exit Security OTP command.
- Customer may lock-down the customer lockable secured OTP by writing WRSCUR(write security register) command to set customer lock-down bit1 as "1". Please refer to "[Table 10. Security Register Definition](#)" for security register bit definition and "[Table 2. 4K-bit Secured OTP Definition](#)" for address range definition.

**Note:** Once lock-down whatever by factory or customer, it cannot be changed any more. While in 4K-bit Secured OTP mode, array access is not allowed.

**Table 2. 4K-bit Secured OTP Definition**

Address range	Size	Standard Factory Lock	Customer Lock
xxx000-xxx1FF	4096-bit	Determined by Factory	Determined by customer

## 7. MEMORY ORGANIZATION

**Table 3. Memory Organization**

Block(64K-byte)	Block(32K-byte)	Sector (4K-byte)	Address Range	
63	127	1023	3FF000h	3FFFFFFh
		⋮		
		1016	3F8000h	3F8FFFh
	126	1015	3F7000h	3F7FFFh
		⋮		
		1008	3F0000h	3F0FFFh
1007		3EF000h	3EFFFFh	
62	125	⋮		
		1000	3E8000h	3E8FFFh
		999	3E7000h	3E7FFFh
	124	⋮		
		992	3E0000h	3E0FFFh
		991	3DF000h	3DFFFFh
61	123	⋮		
		984	3D8000h	3D8FFFh
		983	3D7000h	3D7FFFh
	122	⋮		
		976	3D0000h	3D0FFFh

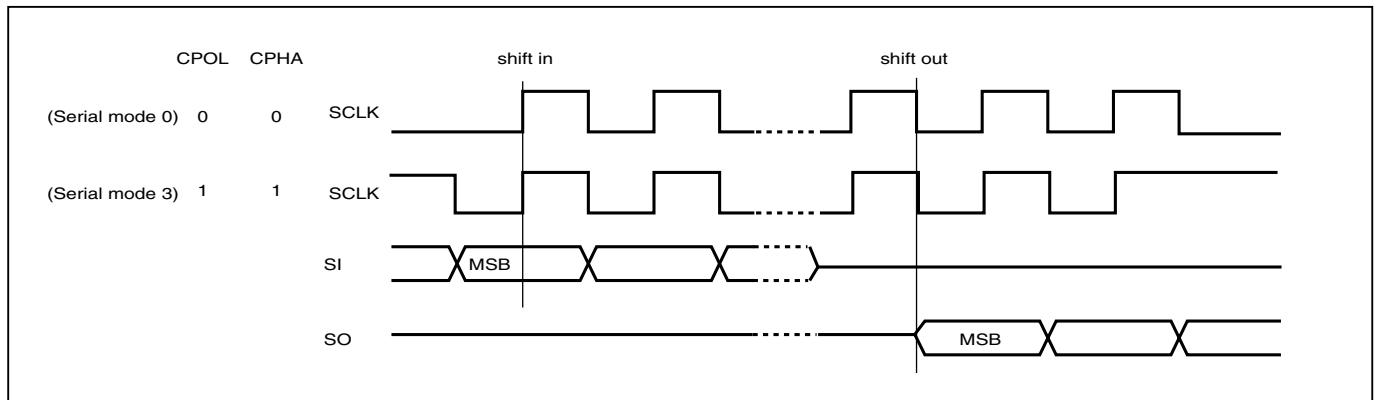


2	5	47	02F000h	02FFFFh
		⋮		
		40	028000h	028FFFh
	4	39	027000h	027FFFh
		⋮		
1	3	32	020000h	020FFFh
		31	01F000h	01FFFFh
		⋮		
	2	24	018000h	018FFFh
		23	017000h	017FFFh
		⋮		
0	1	16	010000h	010FFFh
		15	00F000h	00FFFFh
		⋮		
	0	8	008000h	008FFFh
		7	007000h	007FFFh
⋮				
0	0	000000h	000FFFh	

## 8. DEVICE OPERATION

1. Before a command is issued, status register should be checked to ensure device is ready for the intended operation.
2. When an incorrect command is written to this device, it enters standby mode and stays in standby mode until the next CS# falling edge. In standby mode, This device's SO pin should be High-Z.
3. When a correct command is written to this device, it enters active mode and stays in active mode until the next CS# rising edge.
4. For standard single data rate serial mode, input data is latched on the rising edge of Serial Clock(SCLK) and data is shifted out on the falling edge of SCLK. The difference of Serial mode 0 and mode 3 is shown as "Figure 1. Serial Modes Supported (for Normal Serial mode)".
5. For the following instructions: RDID, RDSR, RDSCUR, READ, FAST\_READ, RDSFDP, 4READ, QREAD, 2READ, DREAD, RDCR, RES, and REMS the shifted-in instruction sequence is followed by a data-out sequence. After any bit of data being shifted out, the CS# can be high. For the following instructions: WREN, WRDI, WRSR, SE, BE, BE32K, CE, PP, 4PP, Suspend, Resume, NOP, RSTEN, RST, ENSO, EXSO, WRSCUR, the CS# must go high exactly at the byte boundary; otherwise, the instruction will be rejected and not executed.
6. While a Write Status Register, Program, or Erase operation is in progress, access to the memory array is ignored and will not affect the current operation of Write Status Register, Program, or Erase.

**Figure 1. Serial Modes Supported (for Normal Serial mode)**



**Note:**

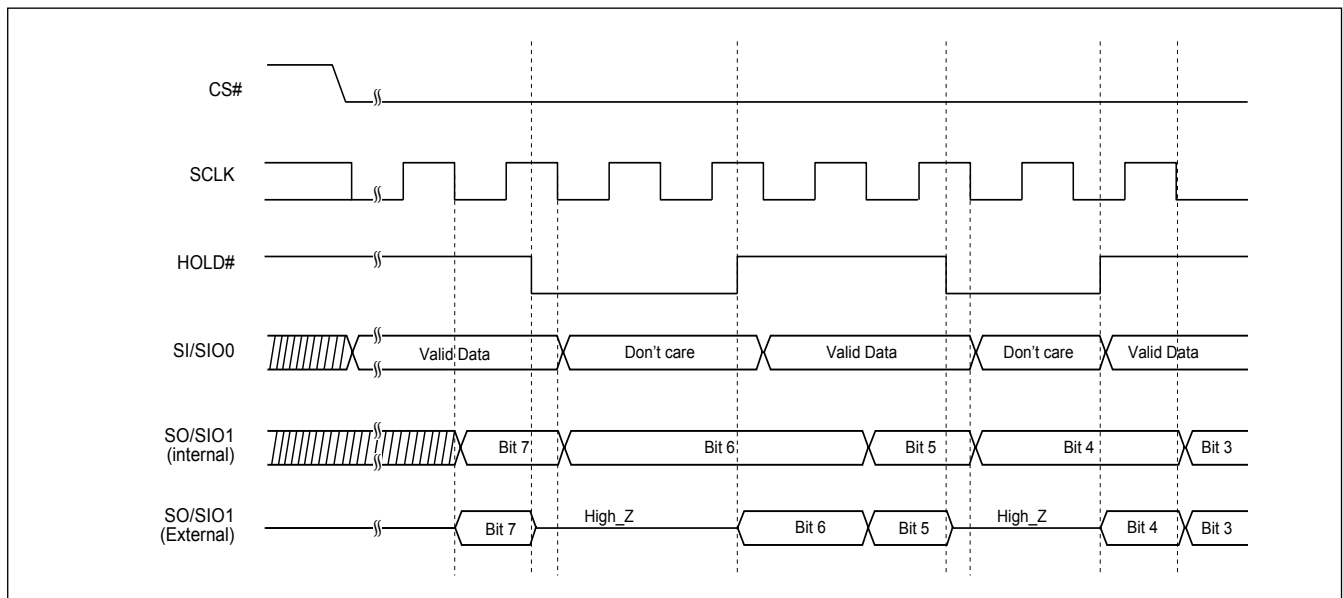
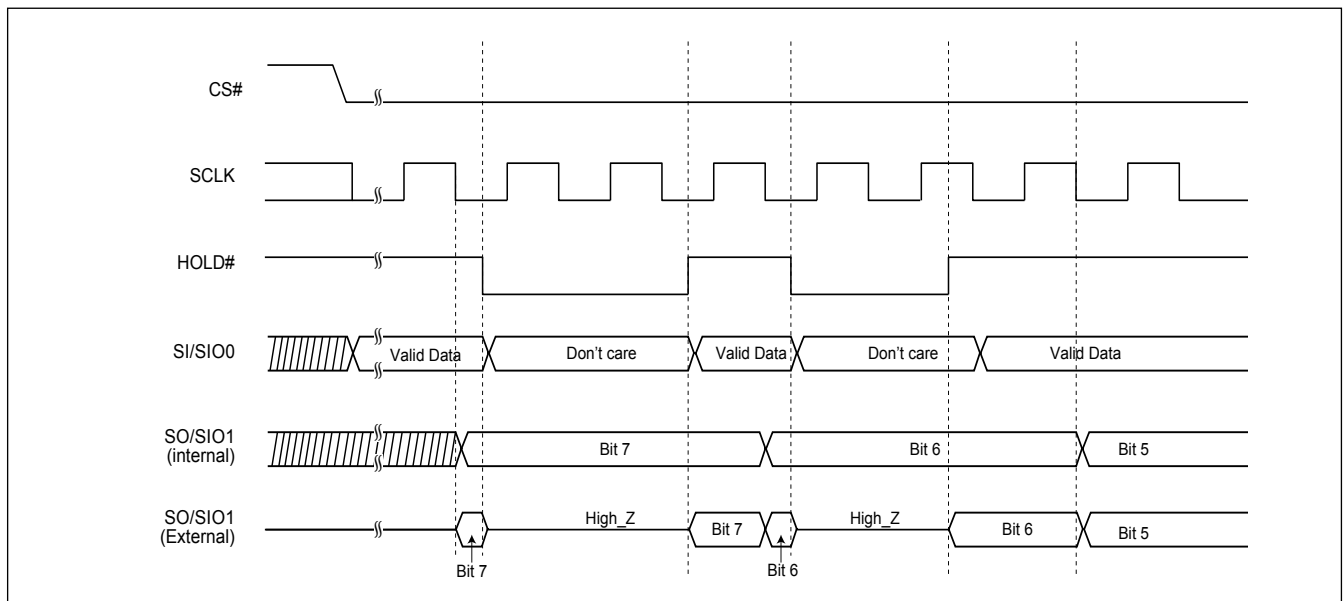
CPOL indicates clock polarity of Serial master, CPOL=1 for SCLK high while idle, CPOL=0 for SCLK low while not transmitting. CPHA indicates clock phase. The combination of CPOL bit and CPHA bit decides which Serial mode is supported.

## 9. HOLD FEATURE

HOLD# pin signal goes low to hold any serial communications with the device. The HOLD feature will not stop the operation of write status register, programming, or erasing in progress.

The operation of HOLD requires Chip Select (CS#) keeping low and starts on falling edge of HOLD# pin signal while Serial Clock (SCLK) signal is being low (if Serial Clock signal is not being low, HOLD operation will not start until Serial Clock signal being low). The HOLD condition ends on the rising edge of HOLD# pin signal while Serial Clock(SCLK) signal is being low (if Serial Clock signal is not being low, HOLD operation will not end until Serial Clock being low).

**Figure 2. Hold Condition Operation**





During the HOLD operation, the Serial Data Output (SO) is high impedance when Hold# pin goes low and will keep high impedance until Hold# pin goes high. The Serial Data Input (SI) is don't care if both Serial Clock (SCLK) and Hold# pin goes low and will keep the state until SCLK goes low and Hold# pin goes high. If Chip Select (CS#) drives high during HOLD operation, it will reset the internal logic of the device. To re-start communication with chip, the HOLD# must be at high and CS# must be at low.

Note: The HOLD feature is disabled during Quad I/O mode.

## 10. COMMAND DESCRIPTION

**Table 4. Command Sets**

### Read Commands

I/O	1	1	2	2	4	4
Command	READ (normal read)	FAST READ (fast read data)	2READ (2 x I/O read command)	DREAD (1I / 2O read command)	4READ (4 x I/O read command)	QREAD (1I/4O read command)
1st byte	03 (hex)	0B (hex)	BB (hex)	3B (hex)	EB (hex)	6B (hex)
2nd byte	A[23:16]	A[23:16]	A[23:16]	A[23:16]	A[23:16]	A[23:16]
3rd byte	A[15:8]	A[15:8]	A[15:8]	A[15:8]	A[15:8]	A[15:8]
4th byte	A[7:0]	A[7:0]	A[7:0]	A[7:0]	A[7:0]	A[7:0]
5th byte		Dummy(8)	Dummy*	Dummy(8)	Dummy*	Dummy(8)
Action	n bytes read out until CS# goes high	n bytes read out until CS# goes high	n bytes read out by 2 x I/O until CS# goes high	n bytes read out by Dual Output until CS# goes high	Quad I/O read with configurable dummy cycles	

**Note:** \*Dummy cycle number will be different, depending on the bit6 (DC) setting of Configuration Register. Please refer to "[Table 6. Configuration Register](#)".



**Other Commands**

Command	WREN (write enable)	WRDI (write disable)	RDSR (read status register)	RDCR (read configuration register)	WRSR (write status/configuration register)	4PP (quad page program)	SE (sector erase)
1st byte	06 (hex)	04 (hex)	05 (hex)	15 (hex)	01 (hex)	38 (hex)	20 (hex)
2nd byte					Values	A[23:16]	A[23:16]
3rd byte					Values	A[15:8]	A[15:8]
4th byte						A[7:0]	A[7:0]
Action	sets the (WEL) write enable latch bit	resets the (WEL) write enable latch bit	to read out the values of the status register	to read out the values of the configuration register	to write new values of the configuration/status register	quad input to program the selected page	to erase the selected sector

Command	BE 32K (block erase 32KB)	BE (block erase 64KB)	CE (chip erase)	PP (page program)	DP (Deep power down)	RDP (Release from deep power down)	PGM/ERS Suspend (Suspend Program/Erase)
1st byte	52 (hex)	D8 (hex)	60 or C7 (hex)	02 (hex)	B9 (hex)	AB (hex)	75/B0 (hex)
2nd byte	A[23:16]	A[23:16]		A[23:16]			
3rd byte	A[15:8]	A[15:8]		A[15:8]			
4th byte	A[7:0]	A[7:0]		A[7:0]			
Action	to erase the selected 32KB block	to erase the selected 64KB block	to erase whole chip	to program the selected page	enters deep power down mode	release from deep power down mode	program/erase operation is interrupted by suspend command

Command	PGM/ERS Resume (Resumes Program/Erase)	RDID (read identification)	RES (read electronic ID)	REMS (read electronic manufacturer & device ID)	ENSO (enter secured OTP)
1st byte	7A/30 (hex)	9F (hex)	AB (hex)	90 (hex)	B1 (hex)
2nd byte			x	x	
3rd byte			x	x	
4th byte			x	ADD	
Action	to continue performing the suspended program/erase sequence	outputs JEDEC ID: 1-byte Manufacturer ID & 2-byte Device ID	to read out 1-byte Device ID	output the Manufacturer ID & Device ID	to enter the 4K-bit secured OTP mode

Command (byte)	EXSO (exit secured OTP)	RDSCUR (read security register)	WRSCUR (write security register)	RSTEN (Reset Enable)	RST (Reset Memory)	RDSFDP	SBL (Set Burst Length)
1st byte	C1 (hex)	2B (hex)	2F (hex)	66 (hex)	99 (hex)	5A (hex)	C0/77 (hex)
2nd byte						A[23:16]	
3rd byte						A[15:8]	Value
4th byte						A[7:0]	
5th byte						Dummy(8)	
Action	to exit the 4K-bit secured OTP mode	to read value of security register	to set the lock-down bit as "1" (once lock-down, cannot be update)		(Note 2)	n bytes read out until CS# goes high	to set Burst length

Command (byte)	NOP (No Operation)
1st byte	00 (hex)
2nd byte	
3rd byte	
4th byte	
5th byte	
Action	

Note 1: It is not recommended to adopt any other code not in the command definition table, which will potentially enter the hidden mode.

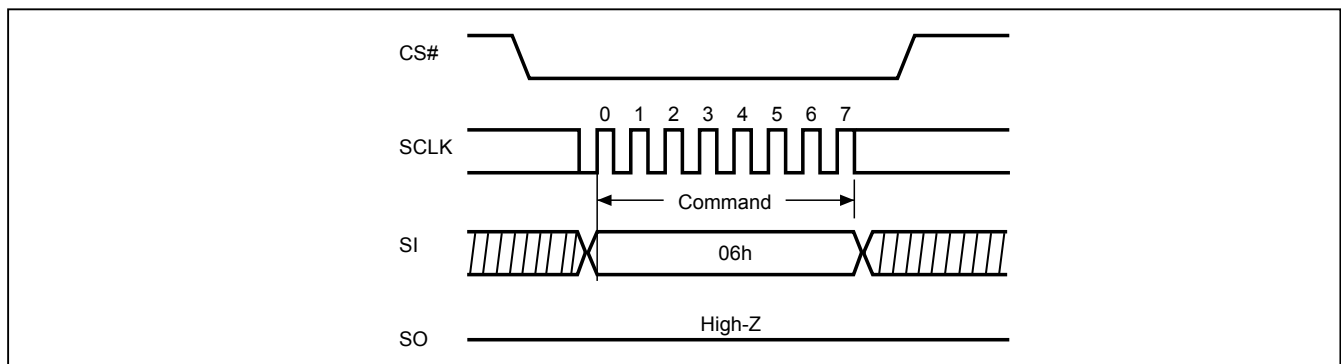
Note 2: The RSTEN command must be executed before executing the RST command. If any other command is issued in-between RSTEN and RST, the RST command will be ignored.

**10-1. Write Enable (WREN)**

The Write Enable (WREN) instruction sets the Write Enable Latch (WEL) bit. Instructions like PP, 4PP, SE, BE, BE32K, CE, and WRSR that are intended to change the device content, should be preceded by the WREN instruction.

The sequence of issuing WREN instruction is: CS# goes low → send WREN instruction code → CS# goes high.

The SIO[3:1] are don't care.

**Figure 3. Write Enable (WREN) Sequence (Command 06h)**

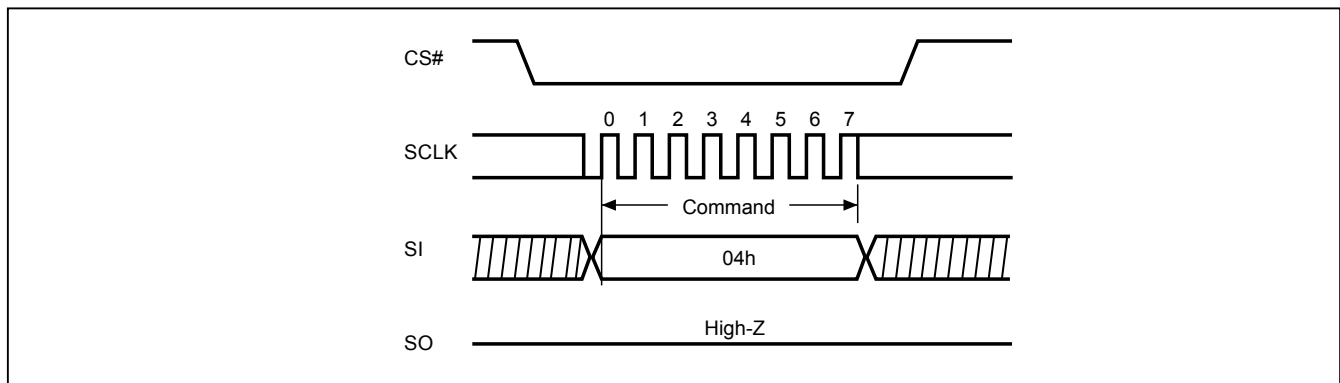
**10-2. Write Disable (WRDI)**

The Write Disable (WRDI) instruction resets the Write Enable Latch (WEL) bit.

The sequence of issuing WRDI instruction is: CS# goes low → send WRDI instruction code → CS# goes high.

The WEL bit is reset in the following situations:

- Power-up
- WRDI command completion
- WRSR command completion
- PP command completion
- 4PP command completion
- SE command completion
- BE32K command completion
- BE command completion
- CE command completion
- PGM/ERS Suspend command completion
- Softreset command completion
- WRSCUR command completion

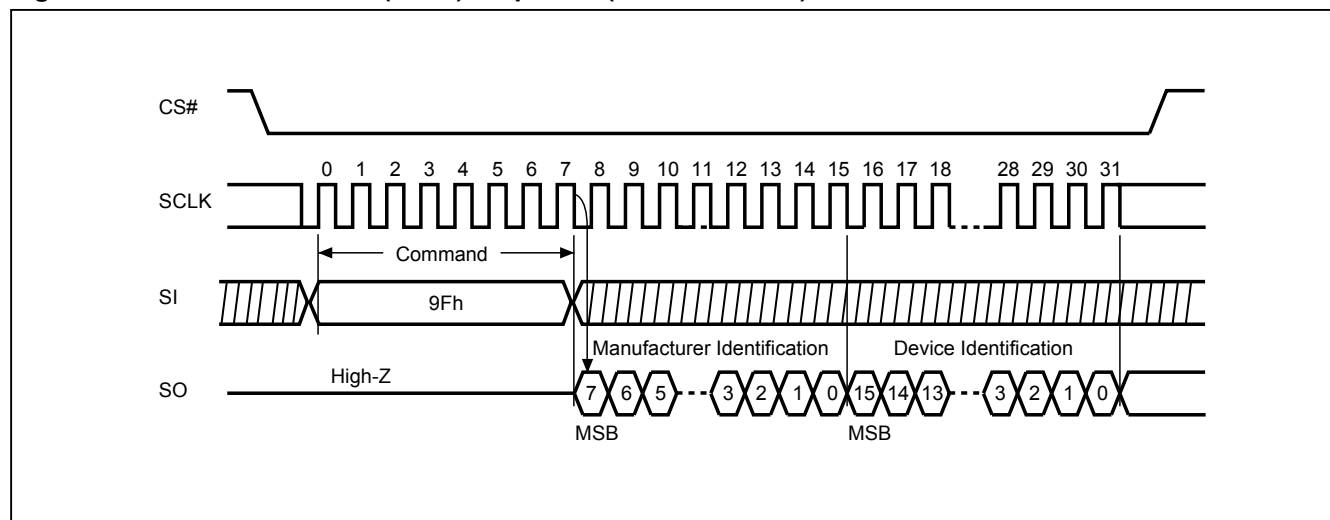
**Figure 4. Write Disable (WRDI) Sequence (Command 04h)**

**10-3. Read Identification (RDID)**

The RDID instruction is for reading the 1-byte manufacturer ID and the 2-byte Device ID that follows. The Macronix Manufacturer ID and Device ID are listed as "Table 9. ID Definitions".

The sequence of issuing RDID instruction is: CS# goes low → send RDID instruction code → 24-bits ID data out on SO → to end RDID operation, raise CS# high at any time during data out.

While Program/Erase operation is in progress, it will not decode the RDID instruction, so there's no effect on the cycle of program/erase operation which is currently in progress. When CS# goes high, the device is at standby stage.

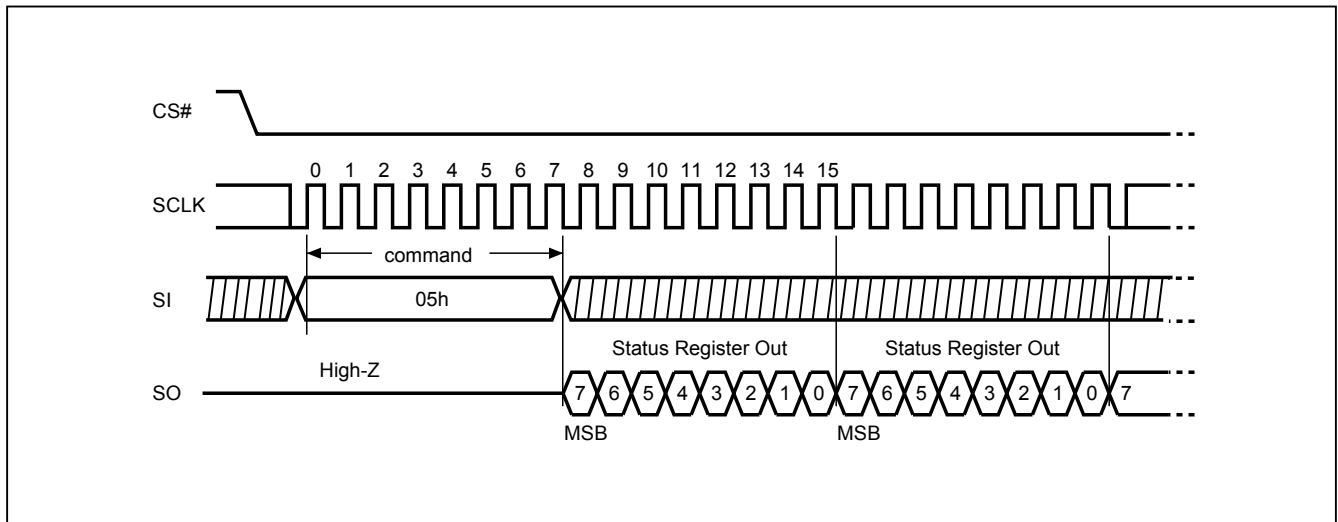
**Figure 5. Read Identification (RDID) Sequence (Command 9Fh)**

**10-4. Read Status Register (RDSR)**

The RDSR instruction is for reading Status Register. The Read Status Register can be read at any time (even in program/erase/write status register condition) and continuously. It is recommended to check the Write in Progress (WIP) bit before sending a new instruction when a program, erase, or write status register operation is in progress.

The sequence of issuing RDSR instruction is: CS# goes low → send RDSR instruction code → Status Register data out on SO.

The SIO[3:1] are don't care.

**Figure 6. Read Status Register (RDSR) Sequence (Command 05h)**

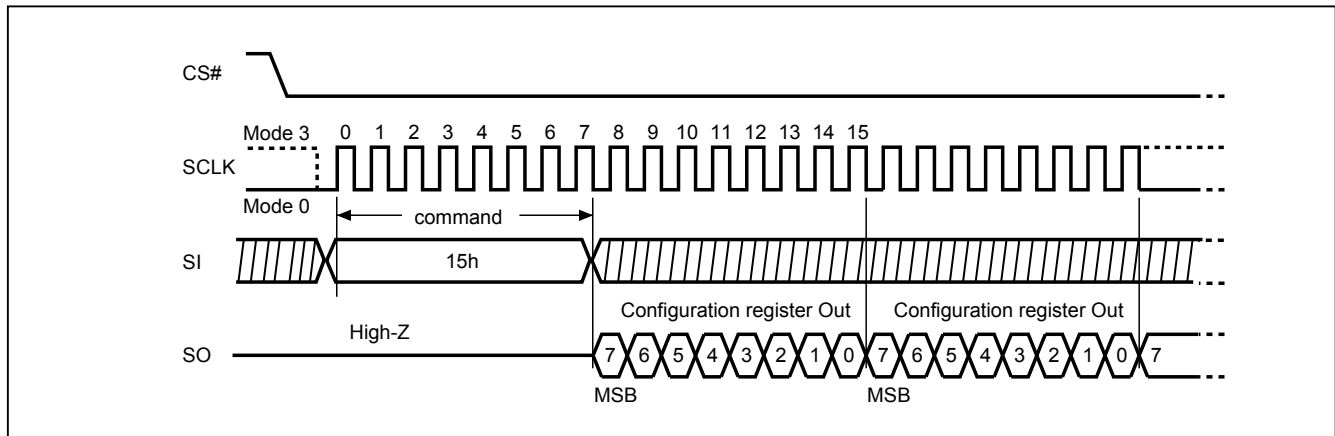
**10-5. Read Configuration Register (RDCR)**

The RDCR instruction is for reading Configuration Register Bits. The Read Configuration Register can be read at any time (even in program/erase/write configuration register condition). It is recommended to check the Write in Progress (WIP) bit before sending a new instruction when a program, erase, or write configuration register operation is in progress.

The sequence of issuing RDCR instruction is: CS# goes low→ send RDCR instruction code→ Configuration Register data out on SO.

The SIO[3:1] are don't care.

**Figure 7. Read Configuration Register (RDCR) Sequence**



## Status Register

The definition of the status register bits is as below:

**WIP bit.** The Write in Progress (WIP) bit, a volatile bit, indicates whether the device is busy in program/erase/write status register progress. When WIP bit sets to 1, which means the device is busy in program/erase/write status register progress. When WIP bit sets to 0, which means the device is not in progress of program/erase/write status register cycle.

**WEL bit.** The Write Enable Latch (WEL) bit is a volatile bit that is set to “1” by the WREN instruction. WEL needs to be set to “1” before the device can accept program and erase instructions, otherwise the program and erase instructions are ignored. WEL automatically clears to “0” when a program or erase operation completes. To ensure that both WIP and WEL are “0” and the device is ready for the next program or erase operation, it is recommended that WIP be confirmed to be “0” before checking that WEL is also “0”. If a program or erase instruction is applied to a protected memory area, the instruction will be ignored and WEL will clear to “0”.

**BP3, BP2, BP1, BP0 bits.** The Block Protect (BP3, BP2, BP1, BP0) bits, non-volatile bits, indicate the protected area (as defined in ["Table 1. Protected Area Sizes"](#)) of the device to against the program/erase instruction without hardware protection mode being set. To write the Block Protect (BP3, BP2, BP1, BP0) bits requires the Write Status Register (WRSR) instruction to be executed. Those bits define the protected area of the memory to against Page Program (PP), Sector Erase (SE), Block Erase (BE) and Chip Erase (CE) instructions (only if all Block Protect bits set to 0, the CE instruction can be executed). The BP3, BP2, BP1, BP0 bits are "0" as default. Which is un-protected.

**QE bit.** The Quad Enable (QE) bit is a non-volatile bit with a factory default of “0”. When QE is “0”, Quad mode commands are ignored; pins WP#/SIO2 and HOLD#/SIO3 function as WP# and HOLD#, respectively. When QE is “1”, Quad mode is enabled and Quad mode commands are supported along with Single and Dual mode commands. Pins WP#/SIO2 and HOLD#/SIO3 function as SIO2 and SIO3, respectively, and their alternate pin functions are disabled. Enabling Quad mode also disables the HPM and HOLD features.

**SRWD bit.** The Status Register Write Disable (SRWD) bit, non-volatile bit, default value is "0". SRWD bit is operated together with Write Protection (WP#/SIO2) pin for providing hardware protection mode. The hardware protection mode requires SRWD sets to 1 and WP#/SIO2 pin signal is low stage. In the hardware protection mode, the Write Status Register (WRSR) instruction is no longer accepted for execution and the SRWD bit and Block Protect bits (BP3, BP2, BP1, BP0) are read only. The SRWD bit defaults to be "0".

**Table 5. Status Register**

bit7	bit6	bit5	bit4	bit3	bit2	bit1	bit0
SRWD (status register write protect)	QE (Quad Enable)	BP3 (level of protected block)	BP2 (level of protected block)	BP1 (level of protected block)	BP0 (level of protected block)	WEL (write enable latch)	WIP (write in progress bit)
1=status register write disabled 0=status register write enabled	1= Quad Enabled 0=not Quad Enabled	<i>(note 1)</i>	<i>(note 1)</i>	<i>(note 1)</i>	<i>(note 1)</i>	1=write enabled 0=not write enabled	1=write operation 0=not in write operation
Non-volatile bit	Non-volatile bit	Non-volatile bit	Non-volatile bit	Non-volatile bit	Non-volatile bit	volatile bit	volatile bit

**Note 1:** Please refer to the ["Table 1. Protected Area Sizes"](#).



## Configuration Register

The Configuration Register is able to change the default status of Flash memory. Flash memory will be configured after the CR bit is set.

### ODS bit

The output driver strength ODS bit are volatile bits, which indicate the output driver level of the device. The Output Driver Strength is defaulted=1 when delivered from factory. To write the ODS bit requires the Write Status Register (WRSR) instruction to be executed.

### TB bit

The Top/Bottom (TB) bit is a OTP bit. The Top/Bottom (TB) bit is used to configure the Block Protect area by BP bit (BP3, BP2, BP1, BP0), starting from TOP or Bottom of the memory array. The TB bit is defaulted as "0", which means Top area protect. When it is set as "1", the protect area will change to Bottom area of the memory device. To write the TB bit requires the Write Status Register (WRSR) instruction to be executed.

**Table 6. Configuration Register**

bit7	bit6	bit5	bit4	bit3	bit2	bit1	bit0
Reserved	DC (Dummy Cycle)	Reserved	Reserved	TB (top/bottom selected)	Reserved	Reserved	ODS
x	2READ/ 4READ Dummy Cycle	x	x	0=Top area protect 1=Bottom area protect (Default=0)	x	x	0, Output driver strength=1 1, Output driver strength=1/4 (Default=0)
x	volatile	x	x	OTP	x	x	volatile

**Note:** Refer to "[Table 7. Dummy Cycle and Frequency Table](#)", with "Don't Care" on other Reserved Configuration Registers.

**Table 7. Dummy Cycle and Frequency Table**

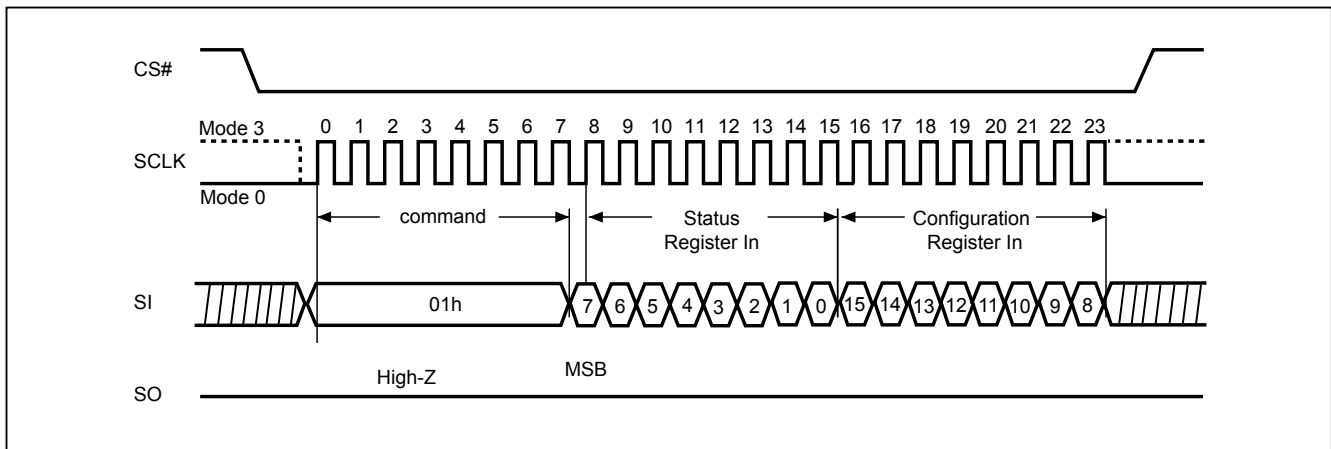
	DC	Numbers of Dummy Cycles	Freq. (MHz)
2READ	0 (default)	4	104
	1	8	133
4READ	0 (default)	6	104
	1	10	133

**10-6. Write Status Register (WRSR)**

The WRSR instruction is for changing the values of Status Register Bits and Configuration Register Bits. Before sending WRSR instruction, the Write Enable (WREN) instruction must be decoded and executed to set the Write Enable Latch (WEL) bit in advance. The WRSR instruction can change the value of Block Protect (BP3, BP2, BP1, BP0) bits to define the protected area of memory (as shown in "Table 1. Protected Area Sizes"). The WRSR also can set or reset the Quad enable (QE) bit and set or reset the Status Register Write Disable (SRWD) bit in accordance with Write Protection (WP#/SIO2) pin signal, but has no effect on bit1(WEL) and bit0 (WIP) of the status register. The WRSR instruction cannot be executed once the Hardware Protected Mode (HPM) is entered.

The sequence of issuing WRSR instruction is: CS# goes low→ send WRSR instruction code→ Status Register data on SI→ Configuration Register data on SI→ CS# goes high.

**Figure 8. Write Status Register (WRSR) Sequence (Command 01h)**



The CS# must go high exactly at the byte boundary; otherwise, the instruction will be rejected and not executed. The self-timed Write Status Register cycle time (tW) is initiated as soon as Chip Select (CS#) goes high. The Write in Progress (WIP) bit still can be checked out during the Write Status Register cycle is in progress. The WIP sets 1 during the tW timing, and sets 0 when Write Status Register Cycle is completed, and the Write Enable Latch (WEL) bit is reset.

**Table 8. Protection Modes**

Mode	Status register condition	WP# and SRWD bit status	Memory
Software protection mode (SPM)	Status register can be written in (WEL bit is set to "1") and the SRWD, BP0-BP3 bits can be changed	WP#=1 and SRWD bit=0, or WP#=0 and SRWD bit=0, or WP#=1 and SRWD=1	The protected area cannot be programmed or erased.
Hardware protection mode (HPM)	The SRWD, BP0-BP3, TB of status register bits cannot be changed	WP#=0, SRWD bit=1	The protected area cannot be programmed or erased.

**Note:** As defined by the values in the Block Protect (BP3, BP2, BP1, BP0, TB) bits of the Status Register, as shown in "Table 1. Protected Area Sizes".

As the table above showing, the summary of the Software Protected Mode (SPM) and Hardware Protected Mode (HPM):

Software Protected Mode (SPM):

- When SRWD bit=0, no matter WP#/SIO2 is low or high, the WREN instruction may set the WEL bit and can change the values of SRWD, BP3, BP2, BP1, BP0. The protected area, which is defined by BP3, BP2, BP1, BP0, is at software protected mode (SPM).
- When SRWD bit=1 and WP#/SIO2 is high, the WREN instruction may set the WEL bit can change the values of SRWD, BP3, BP2, BP1, BP0. The protected area, which is defined by BP3, BP2, BP1, BP0, is at software protected mode (SPM)

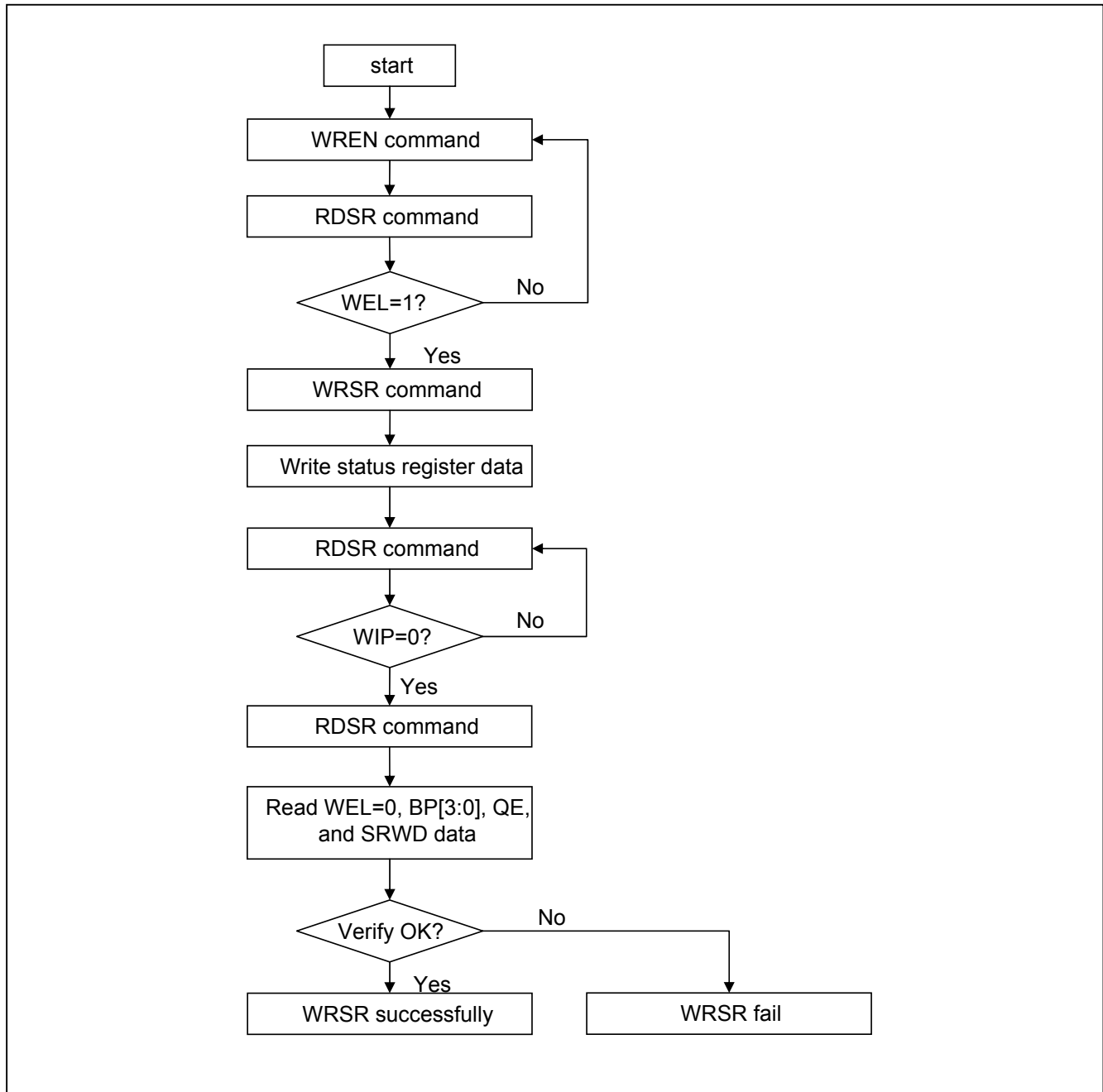
Hardware Protected Mode (HPM):

- When SRWD bit=1, and then WP#/SIO2 is low (or WP#/SIO2 is low before SRWD bit=1), it enters the hardware protected mode (HPM). The data of the protected area is protected by software protected mode by BP3, BP2, BP1, BP0, TB and hardware protected mode by the WP#/SIO2 to against data modification.

**Note:**

To exit the hardware protected mode requires WP#/SIO2 driving high once the hardware protected mode is entered. If the WP#/SIO2 pin is permanently connected to high, the hardware protected mode can never be entered; only can use software protected mode via BP3, BP2, BP1, BP0, TB.

If the system goes into four I/O mode, the feature of HPM will be disabled.

**Figure 9. WRSR flow**

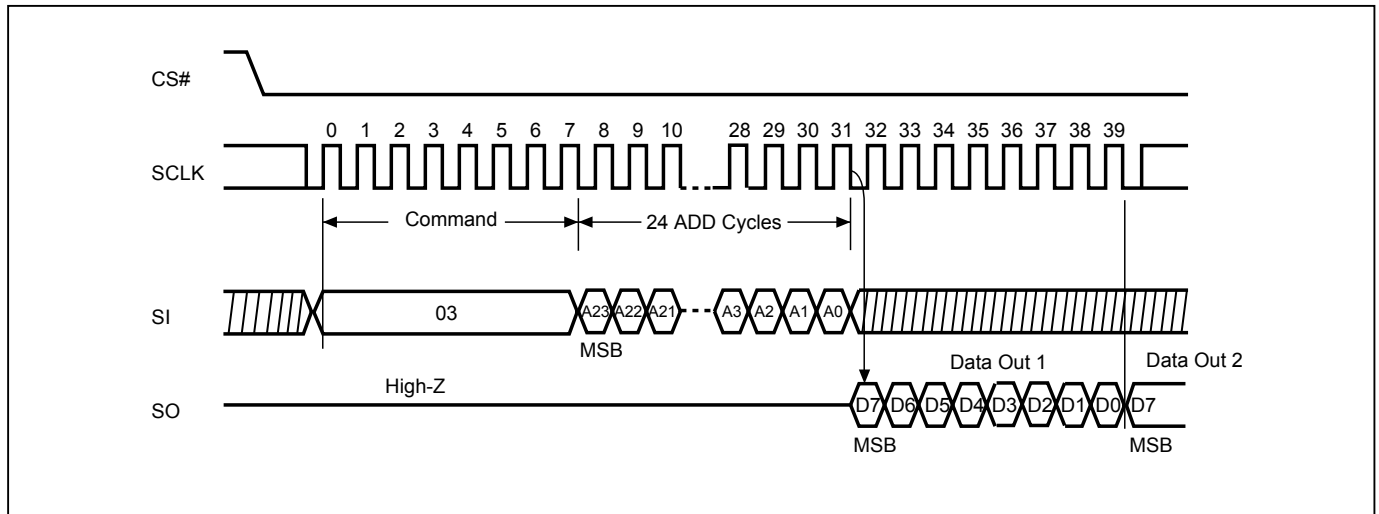
**10-7. Read Data Bytes (READ)**

The read instruction is for reading data out. The address is latched on rising edge of SCLK, and data shifts out on the falling edge of SCLK at a maximum frequency  $f_R$ . The first address byte can be at any location. The address is automatically increased to the next higher address after each byte data is shifted out, so the whole memory can be read out at a single READ instruction. The address counter rolls over to 0 when the highest address has been reached.

The sequence of issuing READ instruction is: CS# goes low → send READ instruction code → 3-byte address on SI → data out on SO → to end READ operation, raise CS# high at any time during data out.

While Program/Erase/Write Status Register cycle is in progress, READ instruction is rejected without any impact on the Program/Erase/Write Status Register current cycle.

**Figure 10. Read Data Bytes (READ) Sequence (Command 03h)**



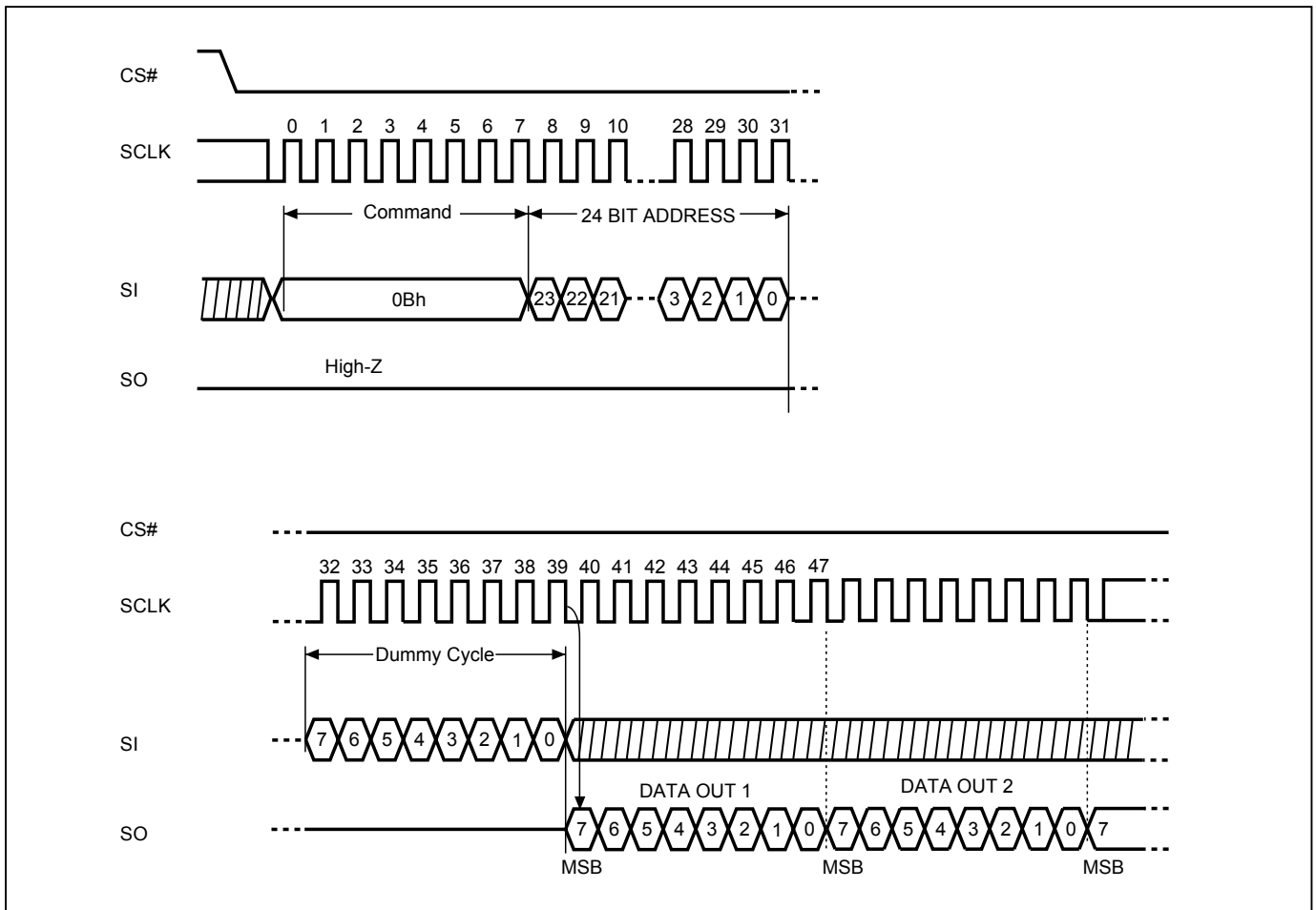
**10-8. Read Data Bytes at Higher Speed (FAST\_READ)**

The FAST\_READ instruction is for quickly reading data out. The address is latched on rising edge of SCLK, and data of each bit shifts out on the falling edge of SCLK at a maximum frequency  $f_C$ . The first address byte can be at any location. The address is automatically increased to the next higher address after each byte data is shifted out, so the whole memory can be read out at a single FAST\_READ instruction. The address counter rolls over to 0 when the highest address has been reached.

The sequence of issuing FAST\_READ instruction is: CS# goes low → send FAST\_READ instruction code → 3-byte address on SI → 1-dummy byte (default) address on SI → data out on SO → to end FAST\_READ operation, raise CS# high at any time during data out. (Please refer to "Figure 11. Read at Higher Speed (FAST\_READ) Sequence (Command 0Bh)")

While Program/Erase/Write Status Register cycle is in progress, FAST\_READ instruction is rejected without any impact on the Program/Erase/Write Status Register current cycle.

**Figure 11. Read at Higher Speed (FAST\_READ) Sequence (Command 0Bh)**



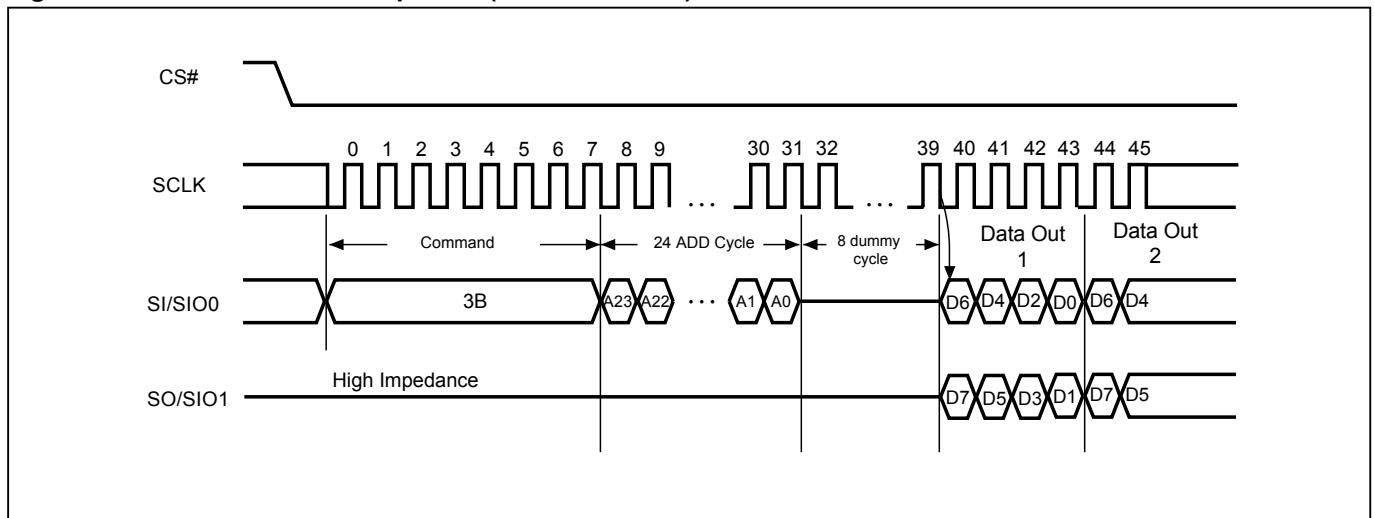
**10-9. Dual Read Mode (DREAD)**

The DREAD instruction enables double throughput of the Serial NOR Flash in read mode. The address is latched on rising edge of SCLK, and data of every two bits (interleave on 2 I/O pins) shift out on the falling edge of SCLK at a maximum frequency  $f_T$ . The first address byte can be at any location. The address is automatically increased to the next higher address after each byte data is shifted out, so the whole memory can be read out at a single DREAD instruction. The address counter rolls over to 0 when the highest address has been reached. Once writing DREAD instruction, the following data out will perform as 2-bit instead of previous 1-bit.

The sequence of issuing DREAD instruction is: CS# goes low → send DREAD instruction → 3-byte address on SI → 8-bit dummy cycle → data out interleave on SO1 & SO0 → to end DREAD operation, raise CS# high at any time during data out.

While Program/Erase/Write Status Register cycle is in progress, DREAD instruction is rejected without any impact on the Program/Erase/Write Status Register current cycle.

**Figure 12. Dual Read Mode Sequence (Command 3Bh)**



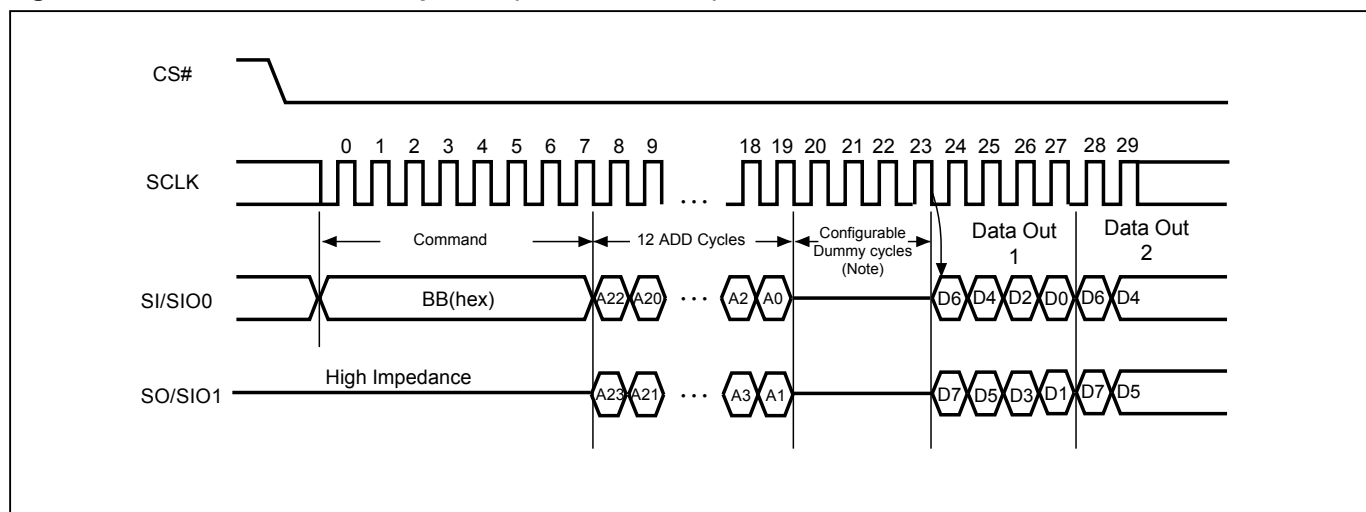
**10-10. 2 x I/O Read Mode (2READ)**

The 2READ instruction enables Double Transfer Rate of the Serial NOR Flash in read mode. The address is latched on rising edge of SCLK, and data of every two bits (interleave on 2 I/O pins) shift out on the falling edge of SCLK at a maximum frequency fT. The first address byte can be at any location. The address is automatically increased to the next higher address after each byte data is shifted out, so the whole memory can be read out at a single 2READ instruction. The address counter rolls over to 0 when the highest address has been reached. Once writing 2READ instruction, the following address/dummy/data out will perform as 2-bit instead of previous 1-bit.

The sequence of issuing 2READ instruction is: CS# goes low → send 2READ instruction → 24-bit address interleave on SIO1 & SIO0 → 4 dummy cycles (default) on SIO1 & SIO0 → data out interleave on SIO1 & SIO0 → to end 2READ operation, raise CS# high at any time during data out.

While Program/Erase/Write Status Register cycle is in progress, 2READ instruction is rejected without any impact on the Program/Erase/Write Status Register current cycle.

**Figure 13. 2 x I/O Read Mode Sequence (Command BBh)**



Note: The Configurable Dummy Cycle is set by Configuration Register Bit. Please refer to ["Table 7. Dummy Cycle and Frequency Table"](#).



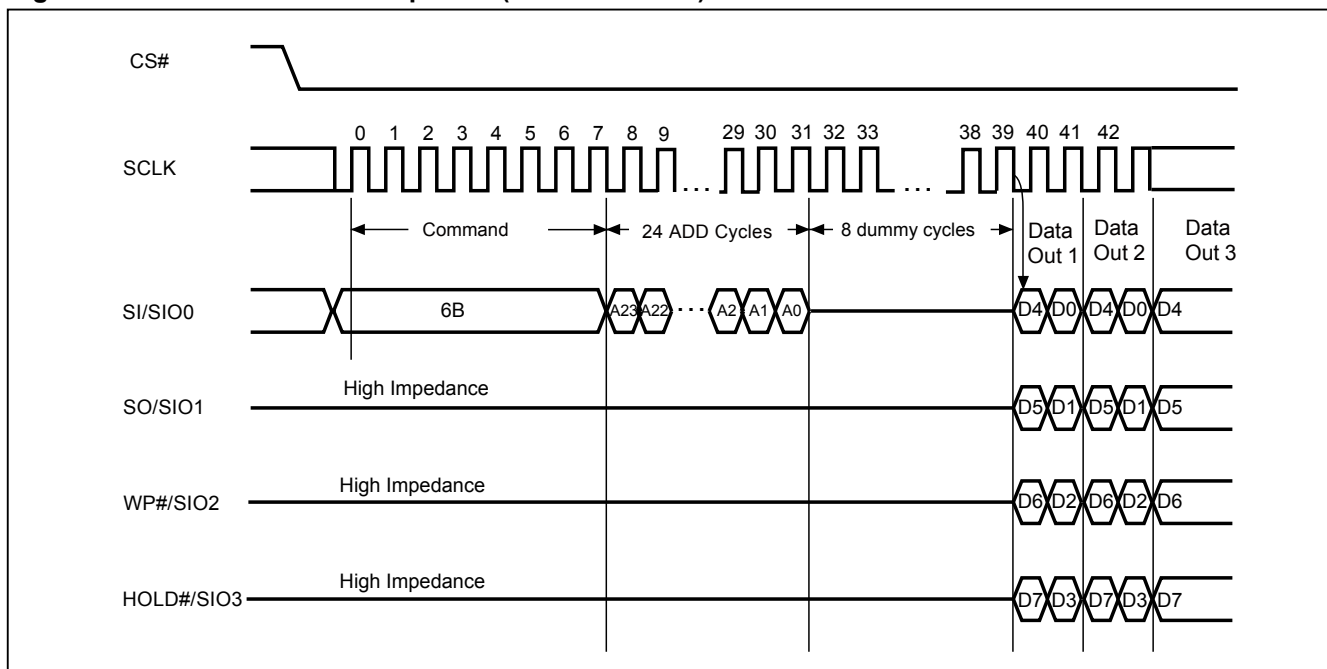
### 10-11. Quad Read Mode (QREAD)

The QREAD instruction enables quad throughput of the Serial NOR Flash in read mode. A Quad Enable (QE) bit of status Register must be set to "1" before sending the QREAD instruction. The address is latched on rising edge of SCLK, and data of every four bits (interleave on 4 I/O pins) shift out on the falling edge of SCLK at a maximum frequency fQ. The first address byte can be at any location. The address is automatically increased to the next higher address after each byte data is shifted out, so the whole memory can be read out at a single QREAD instruction. The address counter rolls over to 0 when the highest address has been reached. Once writing QREAD instruction, the following data out will perform as 4-bit instead of previous 1-bit.

The sequence of issuing QREAD instruction is: CS# goes low → send QREAD instruction → 3-byte address on SI → 8-bit dummy cycle → data out interleave on SIO3, SIO2, SIO1 & SIO0 → to end QREAD operation, raise CS# high at any time during data out.

While Program/Erase/Write Status Register cycle is in progress, QREAD instruction is rejected without any impact on the Program/Erase/Write Status Register current cycle.

**Figure 14. Quad Read Mode Sequence (Command 6Bh)**

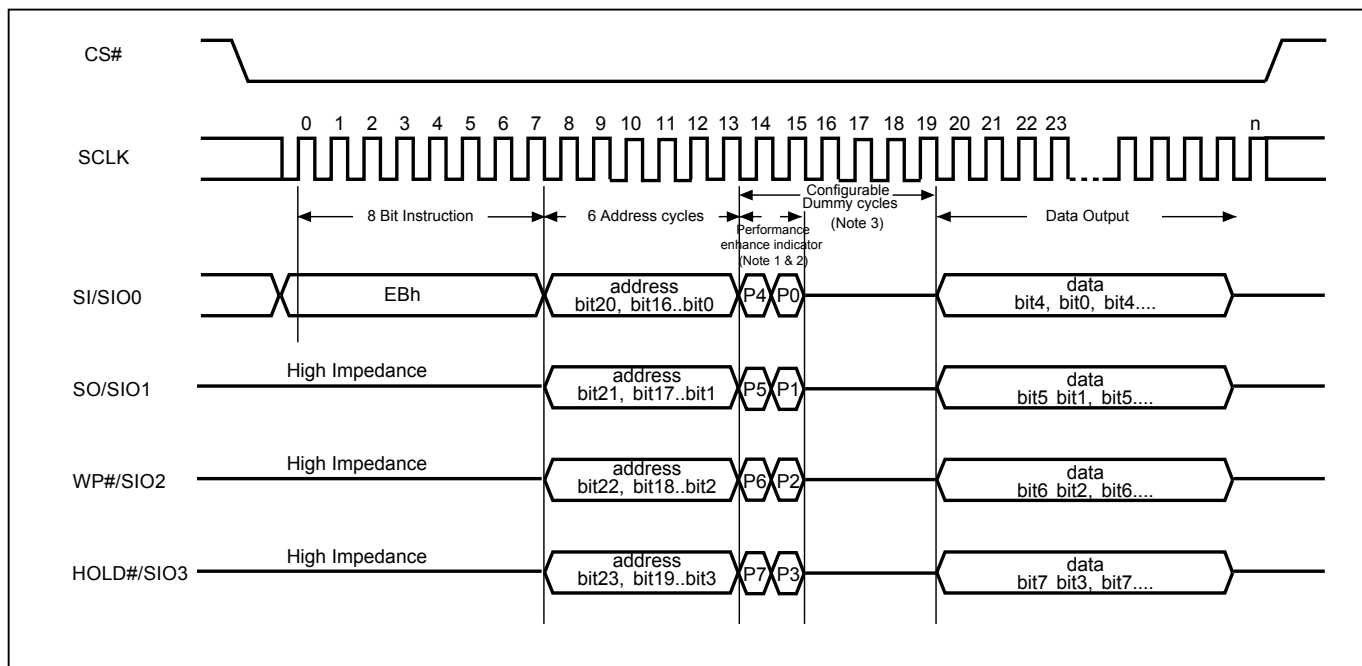


**10-12. 4 x I/O Read Mode (4READ)**

The 4READ instruction enables quad throughput of the Serial NOR Flash in read mode. A Quad Enable (QE) bit of status Register must be set to "1" before sending the 4READ instruction. The address is latched on rising edge of SCLK, and data of every four bits (interleave on 4 I/O pins) shift out on the falling edge of SCLK at a maximum frequency fQ. The first address byte can be at any location. The address is automatically increased to the next higher address after each byte data is shifted out, so the whole memory can be read out at a single 4READ instruction. The address counter rolls over to 0 when the highest address has been reached. Once writing 4READ instruction, the following address/dummy/data out will perform as 4-bit instead of previous 1-bit.

The sequence of issuing 4READ instruction is: CS# goes low→ send 4READ instruction→ 24-bit address interleave on SIO3, SIO2, SIO1 & SIO0→2+4 dummy cycles (default) →data out interleave on SIO3, SIO2, SIO1 & SIO0→ to end 4READ operation, raise CS# high at any time during data out. (Please refer to the figure below)

**Figure 15. 4 x I/O Read Mode Sequence (Command EBh)**



**Notes:**

1. Hi-impedance is inhibited for the two clock cycles.
2. P7≠P3, P6≠P2, P5≠P1 & P4≠P0 (Toggling) will result in entering the performance enhance mode.
3. The Configurable Dummy Cycle is set by Configuration Register Bit. Please refer to ["Table 7. Dummy Cycle and Frequency Table"](#).

Another sequence of issuing 4READ instruction especially useful in random access is: CS# goes low→send 4READ instruction→3-bytes address interleave on SIO3, SIO2, SIO1 & SIO0→performance enhance toggling bit P[7:0]→4 dummy cycles →data out until CS# goes high → CS# goes low (The following 4READ instruction is not allowed, hence 8 cycles of 4READ can be saved comparing to normal 4READ mode) → 24-bit random access address (Please refer to ["Figure 16. 4 x I/O Read Performance Enhance Mode Sequence \(Command EBh\)"](#) ).

In the performance-enhancing mode (Notes of ["Figure 16. 4 x I/O Read Performance Enhance Mode Sequence \(Command EBh\)"](#)), P[7:4] must be toggling with P[3:0]; likewise P[7:0]=A5h, 5Ah, F0h or 0Fh can make this mode continue and reduce the next 4READ instruction. Once P[7:4] is no longer toggling with P[3:0]; likewise P[7:0]=FFh, 00h, AAh or 55h. These commands will reset the performance enhance mode. And afterwards CS# is raised and then lowered, the system then will return to normal operation.

While Program/Erase/Write Status Register cycle is in progress, 4READ instruction is rejected without any impact on the Program/Erase/Write Status Register current cycle.

**10-13. Performance Enhance Mode - XIP (execute-in-place)**

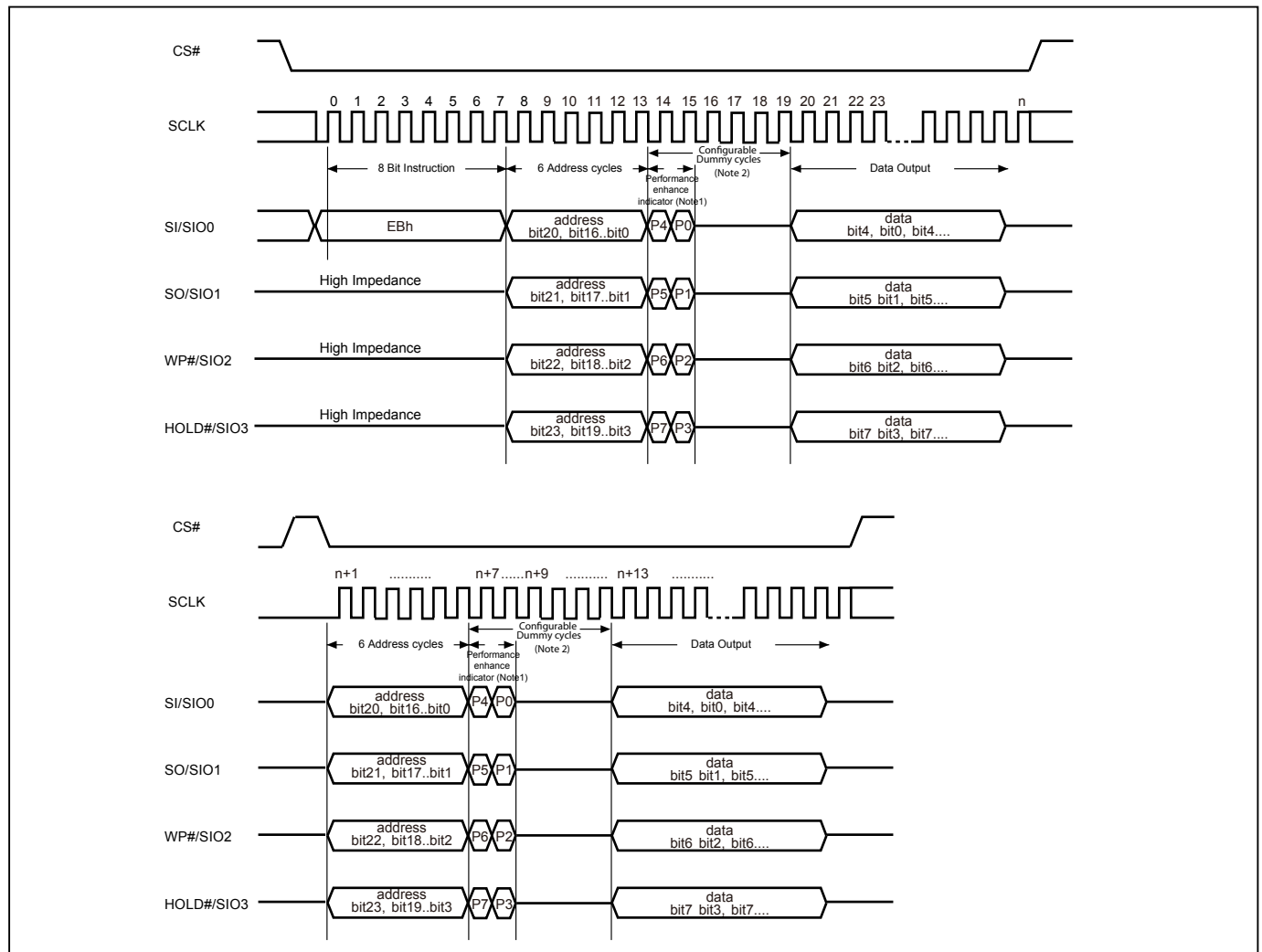
The device could waive the command cycle bits if the two cycle bits after address cycle toggles. (Please note "Figure 16. 4 x I/O Read Performance Enhance Mode Sequence (Command EBh)")

Performance enhance mode is supported for 4READ mode.  
"EBh" commands support enhance mode.

After entering enhance mode, following CS# go high, the device will stay in the read mode and treat CS# go low of the first clock as address instead of command cycle.

To exit enhance mode, a new fast read command whose first two dummy cycles is not toggle then exit. Or issue "FFh" data cycles to exit enhance mode.

**Figure 16. 4 x I/O Read Performance Enhance Mode Sequence (Command EBh)**



**Notes:**

1. Performance enhance mode, if P7≠P3 & P6≠P2 & P5≠P1 & P4≠P0 (Toggling), ex: A5, 5A, 0F, if not using performance enhance recommend to keep 1 or 0 in performance enhance indicator.  
Reset the performance enhance mode, if P7=P3 or P6=P2 or P5=P1 or P4=P0, ex: AA, 00, FF.
2. The Configurable Dummy Cycle is set by Configuration Register Bit. Please refer to "Table 7. Dummy Cycle and Frequency Table".

**10-14. Burst Read**

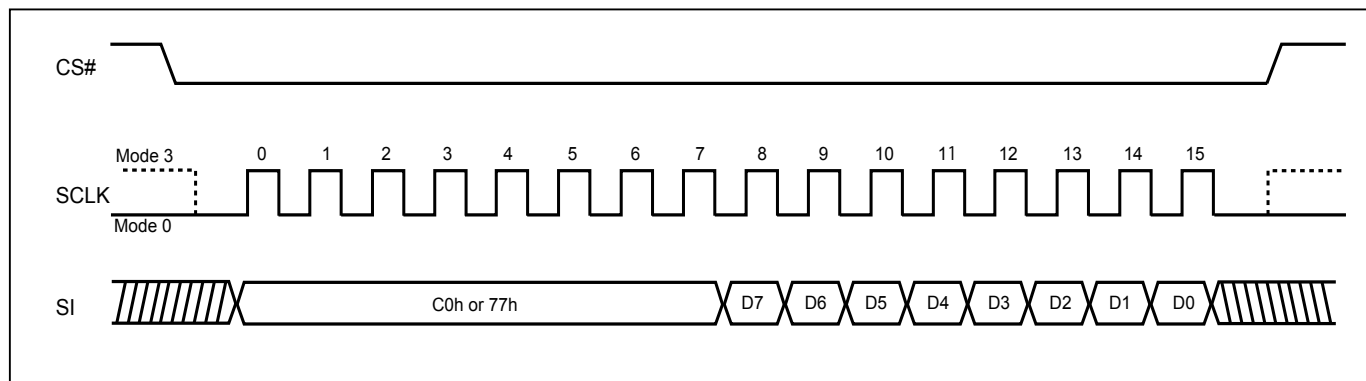
The Burst Read feature allows applications to fill a cache line with a fixed length of data without using multiple read commands. Burst Read is disabled by default at power-up or reset. Burst Read is enabled by setting the Burst Length. When the Burst Length is set, reads will wrap on the selected boundary (8/16/32/64-bytes) containing the initial target address. For example if an 8-byte Wrap Depth is selected, reads will wrap on the 8-byte-page-aligned boundary containing the initial read address.

To set the Burst Length, drive CS# low → send SET BURST LENGTH instruction code (C0h or 77h) → send WRAP CODE → drive CS# high. Refer to the table below for valid 8-bit Wrap Codes and their corresponding Wrap Depth.

Data	Wrap Around	Wrap Depth
00h	Yes	8-byte
01h	Yes	16-byte
02h	Yes	32-byte
03h	Yes	64-byte
1xh	No	X

Once Burst Read is enabled, it will remain enabled until the device is power-cycled or reset. The 4READ read command supports the wrap around feature after Burst Read is enabled. To change the wrap depth, resend the Burst Read instruction with the appropriate Wrap Code. To disable Burst Read, send the Burst Read instruction with Wrap Code 1xh. "EBh" supports wrap around feature after wrap around is enabled.

**Figure 17. Burst Read**



### 10-15. Sector Erase (SE)

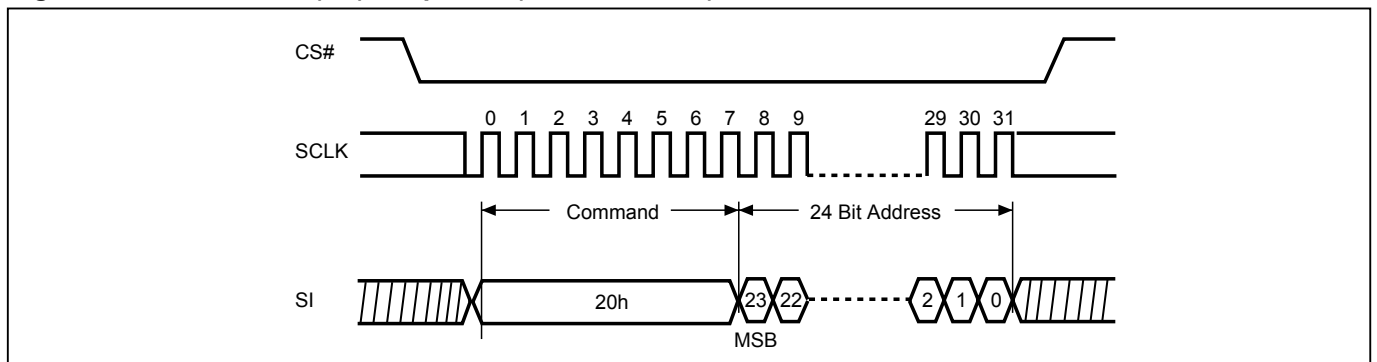
The Sector Erase (SE) instruction is for erasing the data of the chosen sector to be "1". The instruction is used for any 4K-byte sector. A Write Enable (WREN) instruction must be executed to set the Write Enable Latch (WEL) bit before sending the Sector Erase (SE). Any address of the sector (Please refer to "Table 3. Memory Organization" ) is a valid address for Sector Erase (SE) instruction. The CS# must go high exactly at the byte boundary (the least significant bit of the address has been latched-in); otherwise, the instruction will be rejected and not executed.

The sequence of issuing SE instruction is: CS# goes low → send SE instruction code → 3-byte address on SI → CS# goes high.

The SIO[3:1] are don't care.

The self-timed Sector Erase Cycle time (tSE) is initiated as soon as Chip Select (CS#) goes high. The Write in Progress (WIP) bit still can be checked while the Sector Erase cycle is in progress. The WIP sets during the tSE timing, and clears when Sector Erase Cycle is completed, and the Write Enable Latch (WEL) bit is cleared. If the sector is protected by BP3-0, the array data will be protected (no change) and the WEL bit still be reset.

**Figure 18. Sector Erase (SE) Sequence (Command 20h)**



### 10-16. Block Erase (BE)

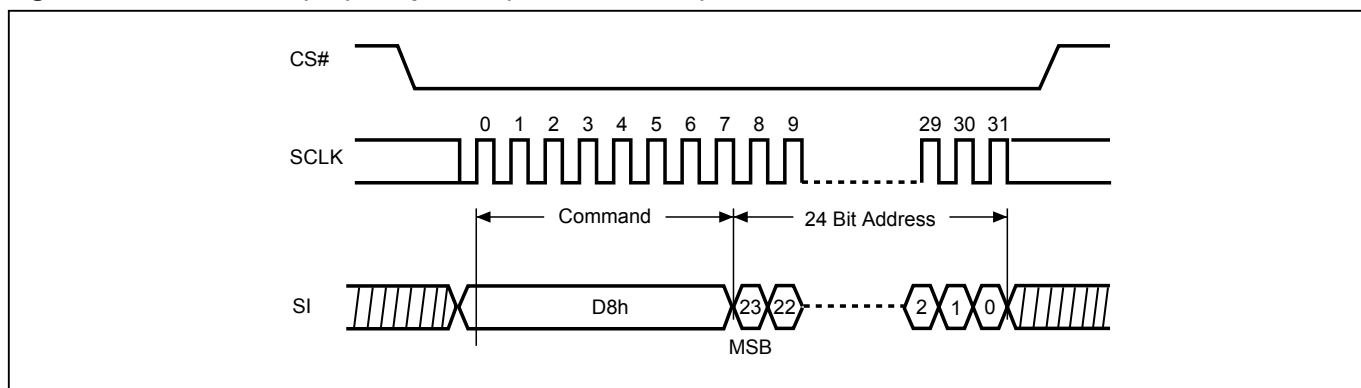
The Block Erase (BE) instruction is for erasing the data of the chosen block to be "1". The instruction is used for 64K-byte block erase operation. A Write Enable (WREN) instruction must be executed to set the Write Enable Latch (WEL) bit before sending the Block Erase (BE). Any address of the block (Please refer to "Table 3. Memory Organization") is a valid address for Block Erase (BE) instruction. The CS# must go high exactly at the byte boundary (the least significant bit of address byte has been latched-in); otherwise, the instruction will be rejected and not executed.

The sequence of issuing BE instruction is: CS# goes low → send BE instruction code → 3-byte address on SI → CS# goes high.

The SIO[3:1] are don't care.

The self-timed Block Erase Cycle time (tBE) is initiated as soon as Chip Select (CS#) goes high. The Write in Progress (WIP) bit still can be checked while the Sector Erase cycle is in progress. The WIP sets during the tBE timing, and clears when Sector Erase Cycle is completed, and the Write Enable Latch (WEL) bit is cleared. If the block is protected by BP3~0, the array data will be protected (no change) and the WEL bit still be reset.

**Figure 19. Block Erase (BE) Sequence (Command D8h)**



### 10-17. Block Erase (BE32K)

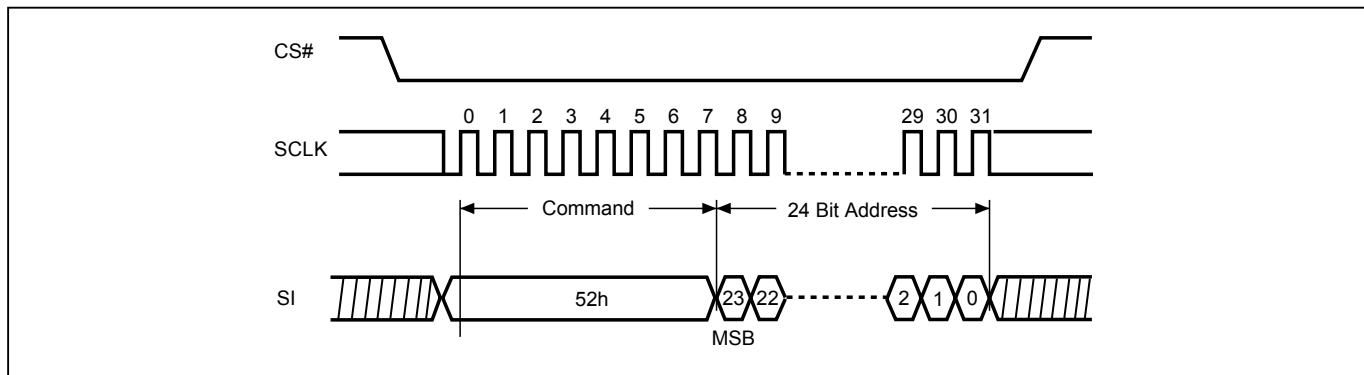
The Block Erase (BE32K) instruction is for erasing the data of the chosen block to be "1". The instruction is used for 32K-byte block erase operation. A Write Enable (WREN) instruction must be executed to set the Write Enable Latch (WEL) bit before sending the Block Erase (BE32K). Any address of the block (Please refer to "Table 3. Memory Organization" ) is a valid address for Block Erase (BE32K) instruction. The CS# must go high exactly at the byte boundary (the least significant bit of address byte has been latched-in); otherwise, the instruction will be rejected and not executed.

The sequence of issuing BE32K instruction is: CS# goes low → send BE32K instruction code → 3-byte address on SI → CS# goes high.

The SIO[3:1] are don't care.

The self-timed Block Erase Cycle time (tBE32K) is initiated as soon as Chip Select (CS#) goes high. The Write in Progress (WIP) bit still can be checked while the Sector Erase cycle is in progress. The WIP sets during the tBE32K timing, and clears 0 when Sector Erase Cycle is completed, and the Write Enable Latch (WEL) bit is cleared. If the block is protected by BP3-0, the array data will be protected (no change) and the WEL bit still be reset.

**Figure 20. Block Erase 32KB (BE32K) Sequence (Command 52h)**





### 10-18. Chip Erase (CE)

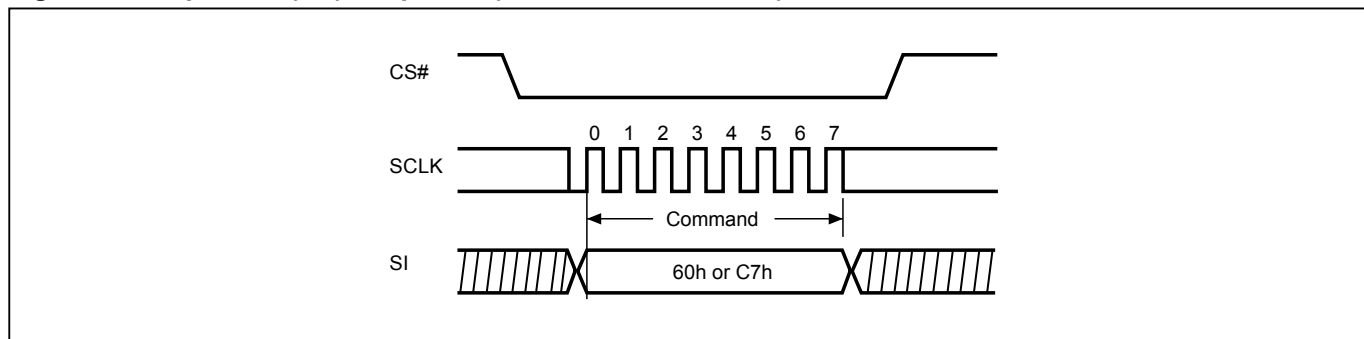
The Chip Erase (CE) instruction is for erasing the data of the whole chip to be "1". A Write Enable (WREN) instruction must be executed to set the Write Enable Latch (WEL) bit before sending the Chip Erase (CE). The CS# must go high exactly at the byte boundary; otherwise, the instruction will be rejected and not executed.

The sequence of issuing CE instruction is: CS# goes low → send CE instruction code → CS# goes high.

The SIO[3:1] are don't care.

The self-timed Chip Erase Cycle time ( $t_{CE}$ ) is initiated as soon as Chip Select (CS#) goes high. The Write in Progress (WIP) bit still can be checked while the Chip Erase cycle is in progress. The WIP sets during the  $t_{CE}$  timing, and clears when Chip Erase Cycle is completed, and the Write Enable Latch (WEL) bit is cleared. If the chip is protected the Chip Erase (CE) instruction will not be executed, but WEL will be reset.

**Figure 21. Chip Erase (CE) Sequence (Command 60h or C7h)**



### 10-19. Page Program (PP)

The Page Program (PP) instruction is for programming memory bits to "0". One to 256 bytes can be sent to the device to be programmed. A Write Enable (WREN) instruction must be executed to set the Write Enable Latch (WEL) bit before sending the Page Program (PP). If more than 256 data bytes are sent to the device, only the last 256 data bytes will be accepted and the previous data bytes will be disregarded. The Page Program instruction requires that all the data bytes fall within the same 256-byte page. The low order address byte A[7:0] specifies the starting address within the selected page. Bytes that will cross a page boundary will wrap to the beginning of the selected page. The device can accept (256 minus A[7:0]) data bytes without wrapping. If 256 data bytes are going to be programmed, A[7:0] should be set to 0.

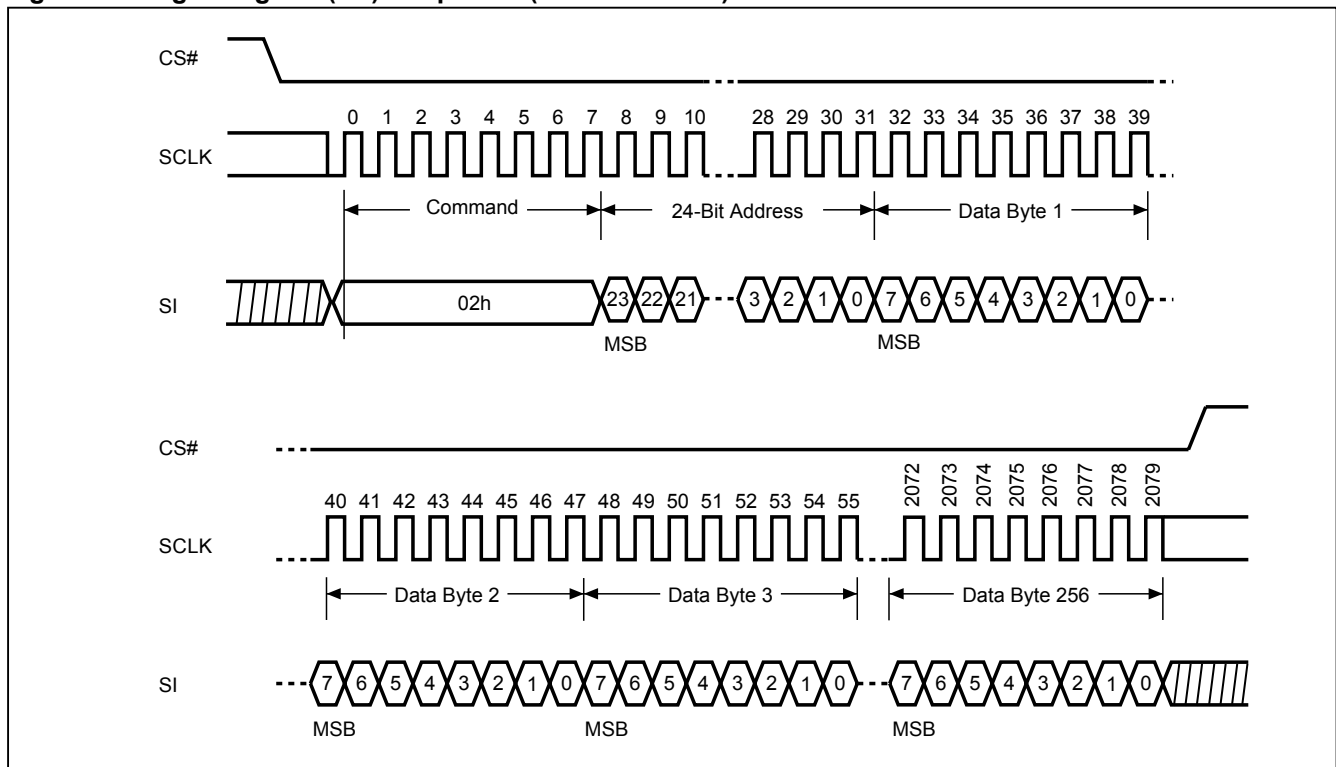
The sequence of issuing PP instruction is: CS# goes low → send PP instruction code → 3-byte address on SI → at least 1-byte on data on SI → CS# goes high.

The CS# must be kept to low during the whole Page Program cycle; The CS# must go high exactly at the byte boundary (the latest eighth bit of data being latched in), otherwise, the instruction will be rejected and will not be executed.

The self-timed Page Program Cycle time (t<sub>PP</sub>) is initiated as soon as Chip Select (CS#) goes high. The Write in Progress (WIP) bit still can be checked while the Page Program cycle is in progress. The WIP sets during the t<sub>PP</sub> timing, and clears when Page Program Cycle is completed, and the Write Enable Latch (WEL) bit is cleared. If the page is protected by BP3~0, the array data will be protected (no change) and the WEL bit will still be reset.

The SIO[3:1] are don't care.

**Figure 22. Page Program (PP) Sequence (Command 02h)**



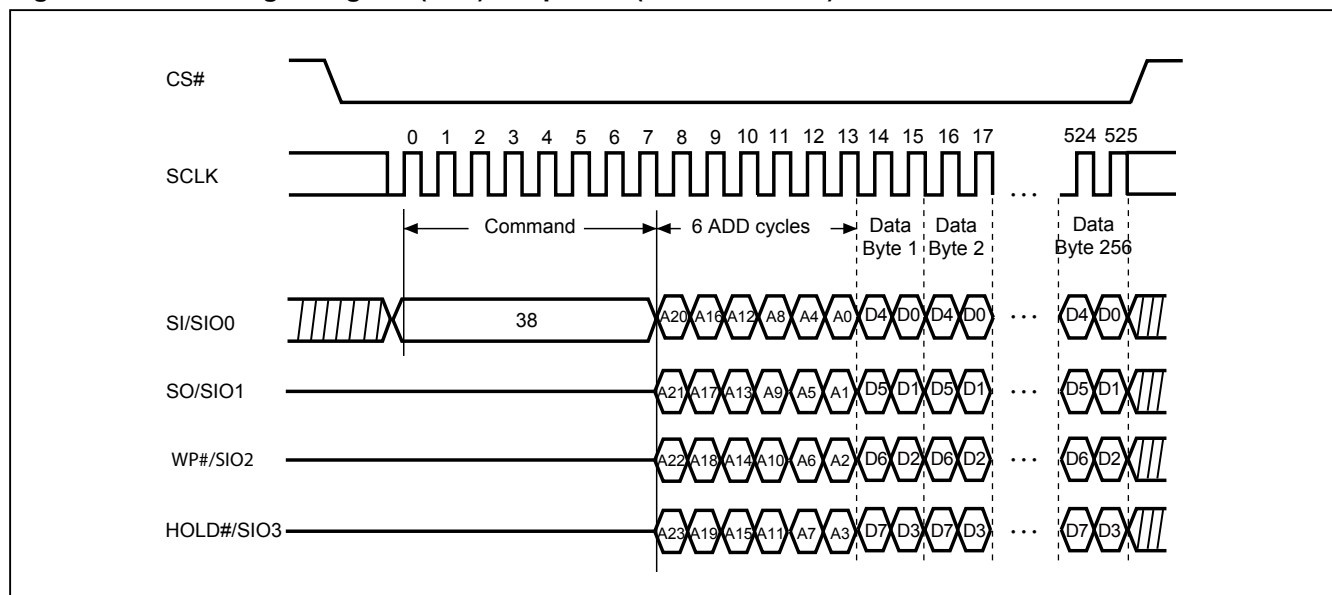
**10-20. 4 x I/O Page Program (4PP)**

The Quad Page Program (4PP) instruction is for programming the memory to be "0". A Write Enable (WREN) instruction must be executed to set the Write Enable Latch (WEL) bit and Quad Enable (QE) bit must be set to "1" before sending the Quad Page Program (4PP). The Quad Page Programming takes four pins: SIO0, SIO1, SIO2, and SIO3, which can raise programmer performance and the effectiveness of application of lower clock less than f4PP. For system with faster clock, the Quad page program cannot provide more performance, because the required internal page program time is far more than the time data flows in. Therefore, we suggest that while executing this command (especially during sending data), user can slow the clock speed down to f4PP below. The other function descriptions are as same as standard page program.

The sequence of issuing 4PP instruction is: CS# goes low→ send 4PP instruction code→ 3-byte address on SIO[3:0]→ at least 1-byte on data on SIO[3:0]→ CS# goes high.

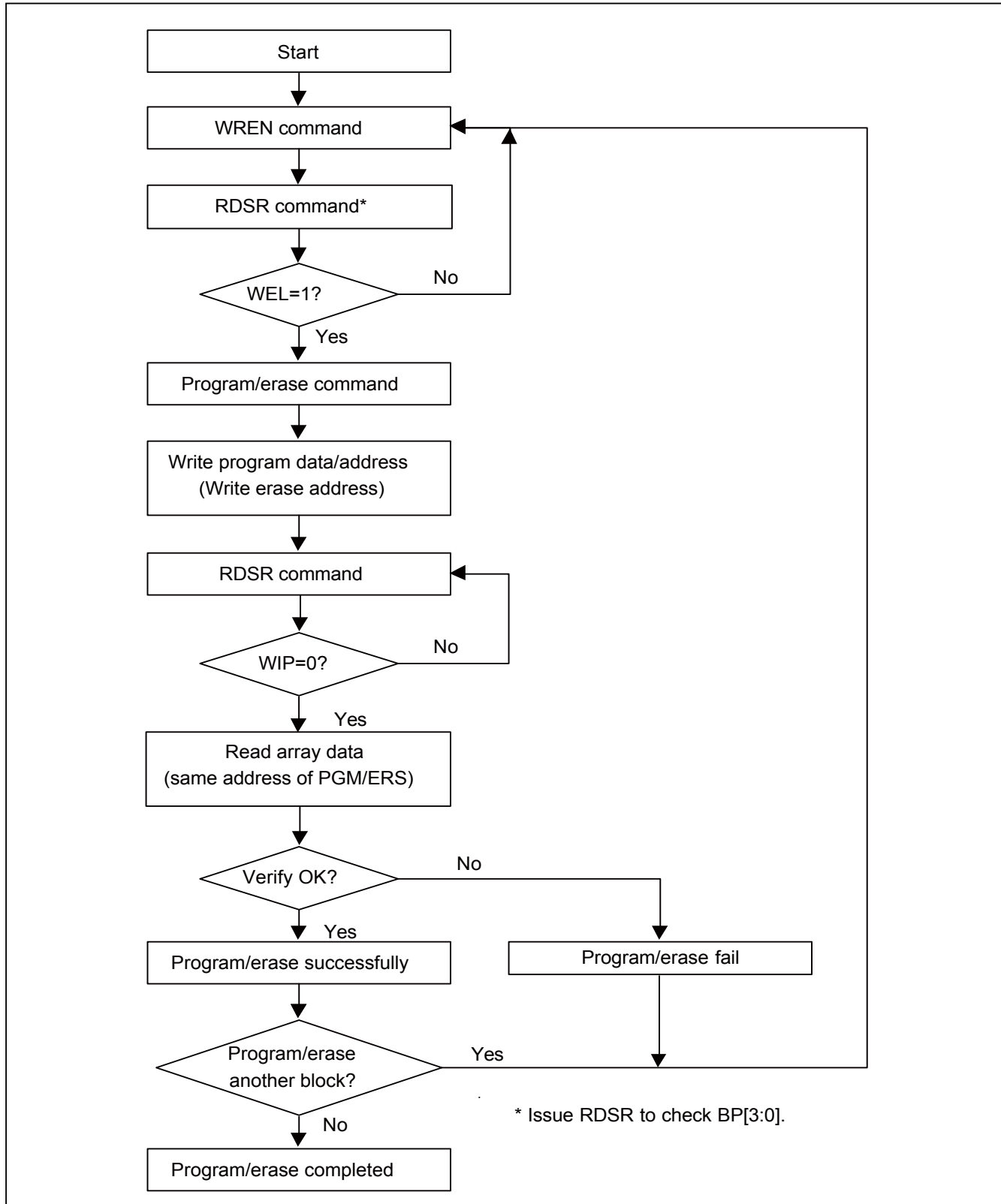
If the page is protected by BP3~0, the array data will be protected (no change) and the WEL bit will still be reset.

**Figure 23. 4 x I/O Page Program (4PP) Sequence (Command 38h)**

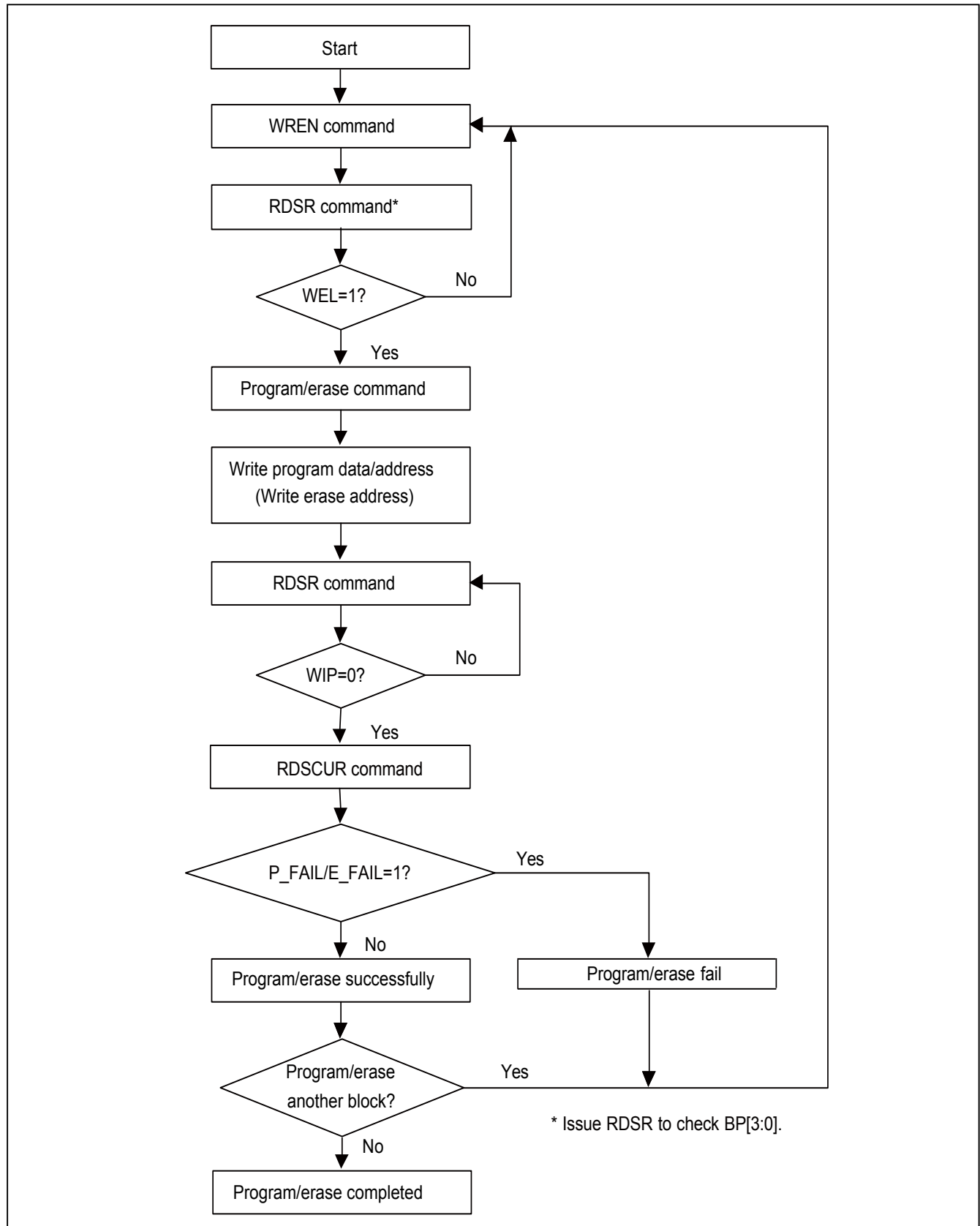


The Program/Erase function instruction function flow is as follows:

**Figure 24. Program/Erase Flow(1) with read array data**



**Figure 25. Program/Erase Flow(2) without read array data**



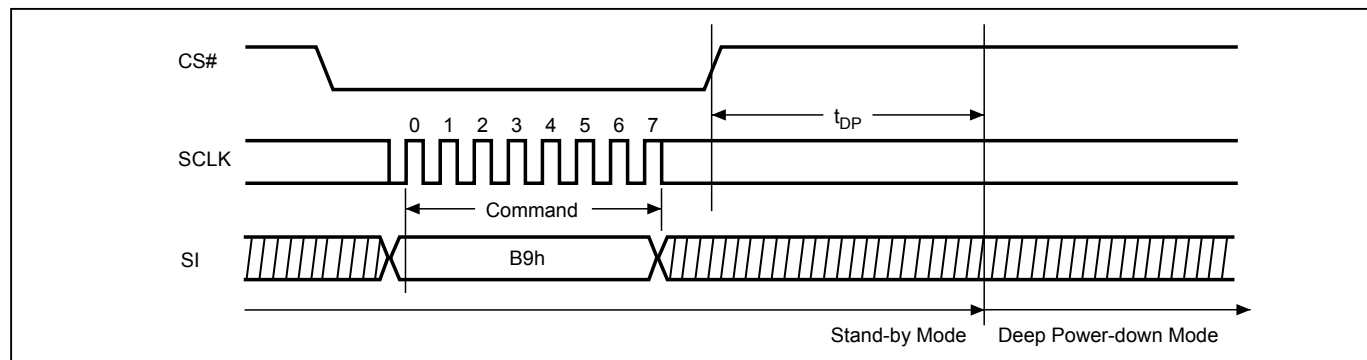
**10-21. Deep Power-down (DP)**

The Deep Power-down (DP) instruction places the device into a minimum power consumption state, Deep Power-down mode, in which the quiescent current is reduced from ISB1 to ISB2.

The sequence of issuing DP instruction: CS# goes low → send DP instruction code → CS# goes high. The CS# must go high at the byte boundary (after exactly eighth bits of the instruction code have been latched-in); otherwise the instruction will not be executed. SIO[3:1] are "don't care".

After CS# goes high there is a delay of  $t_{DP}$  before the device transitions from Stand-by mode to Deep Powerdown mode and before the current reduces from ISB1 to ISB2. Once in Deep Power-down mode, all instructions will be ignored except Release from Deep Power-down (RDP).

The device exits Deep Power-down mode and returns to Stand-by mode if it receives a Release from Deep Power-down (RDP) instruction, power-cycle, or reset. Please refer to "[Figure 28. Release from Deep Power-down \(RDP\) Sequence](#)".

**Figure 26. Deep Power-down (DP) Sequence (Command B9h)**

**10-22. Release from Deep Power-down (RDP), Read Electronic Signature (RES)**

The Release from Deep Power-down (RDP) instruction is completed by driving Chip Select (CS#) High. When Chip Select (CS#) is driven High, the device is put in the standby Power mode. If the device was not previously in the Deep Power-down mode, the transition to the standby Power mode is immediate. If the device was previously in the Deep Power-down mode, though, the transition to the standby Power mode is delayed by  $t_{RES1}$ , and Chip Select (CS#) must remain High for at least  $t_{RES1(max)}$ , as specified in "Table 18. AC Characteristics". Once in the standby mode, the device waits to be selected, so that it can receive, decode and execute instructions.

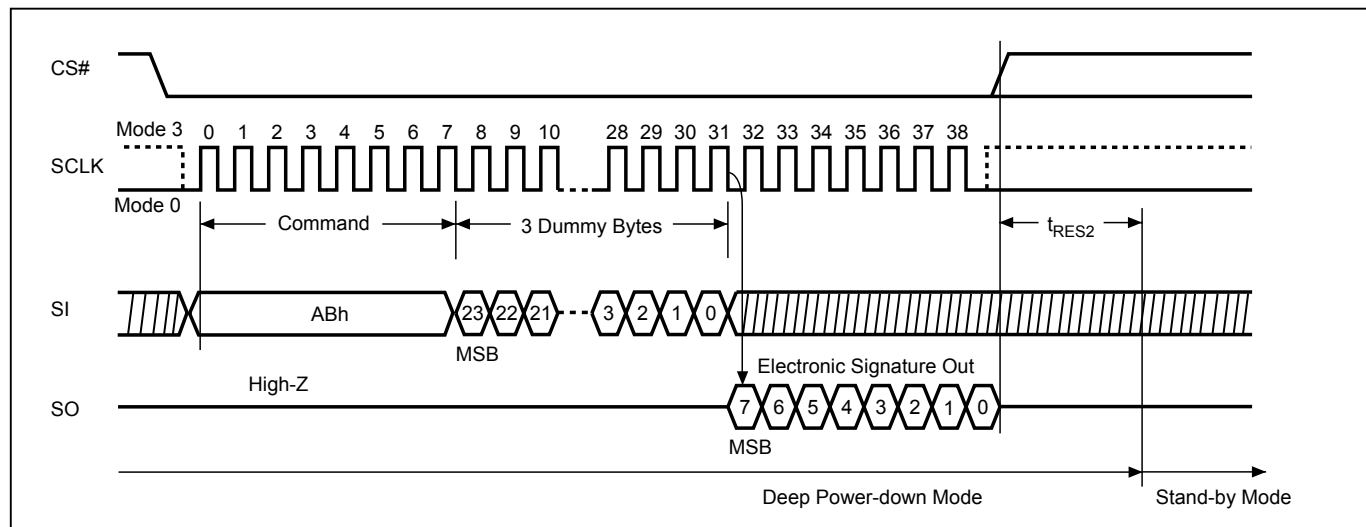
RES instruction is for reading out the old style of 8-bit Electronic Signature, whose values are shown as "Table 9. ID Definitions". This is not the same as RDID instruction. It is not recommended to use for new design. For new design, please use RDID instruction. The RDP and RES are allowed to execute in Deep power-down mode, except if the device is in progress of program/erase/write cycle; In this case, there is no effect on the current program/erase/write cycle that is in progress.

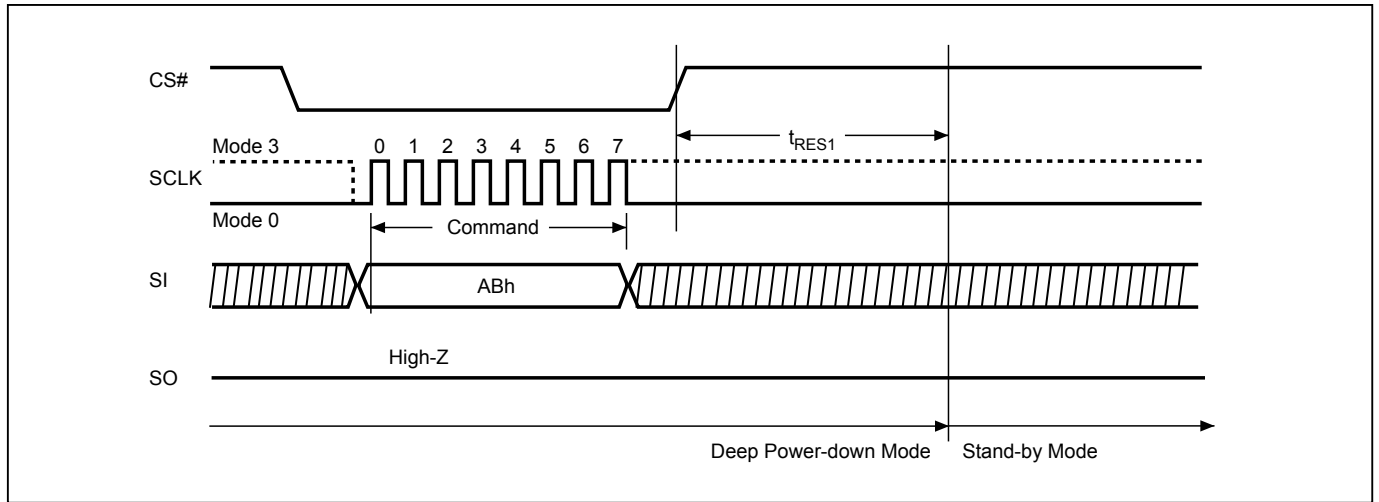
The SIO[3:1] are don't care when during this mode.

The RES instruction ends when CS# goes high, after the ID been read out at least once. The ID outputs repeatedly if continuously send the additional clock cycles on SCLK while CS# is at low. If the device was not previously in Deep Power-down mode, the device transition to standby mode is immediate. If the device was previously in Deep Power-down mode, there's a delay of  $t_{RES2}$  to transit to standby mode, and CS# must remain to high at least  $t_{RES2(max)}$ . Once in the standby mode, the device waits to be selected, so it can receive, decode, and execute instruction.

The RDP instruction is for releasing from Deep Power-down Mode.

**Figure 27. Release from Deep Power-down and Read Electronic Signature (RES) Sequence (Command ABh)**



**Figure 28. Release from Deep Power-down (RDP) Sequence**

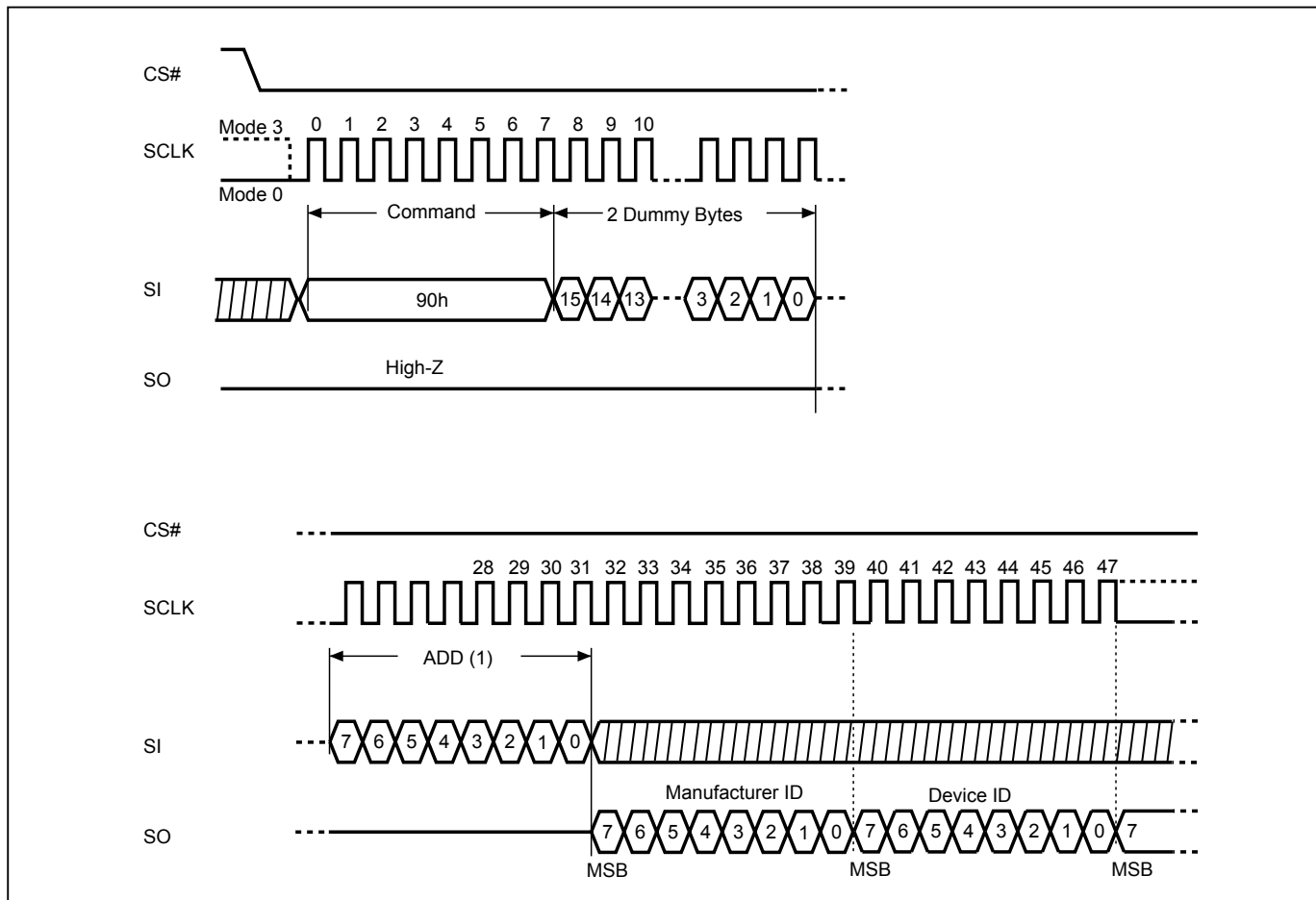


**10-23. Read Electronic Manufacturer ID & Device ID (REMS)**

The REMS instruction returns both the JEDEC assigned manufacturer ID and the device ID. The Device ID values are listed in "Table 9. ID Definitions".

The REMS instruction is initiated by driving the CS# pin low and sending the instruction code "90h" followed by two dummy bytes and one address byte (A7~A0). After which the manufacturer ID for Macronix (C2h) and the device ID are shifted out on the falling edge of SCLK with the most significant bit (MSB) first. If the address byte is 00h, the manufacturer ID will be output first, followed by the device ID. If the address byte is 01h, then the device ID will be output first, followed by the manufacturer ID. While CS# is low, the manufacturer and device IDs can be read continuously, alternating from one to the other. The instruction is completed by driving CS# high.

**Figure 29. Read Electronic Manufacturer & Device ID (REMS) Sequence**



**Notes:** (1) ADD=00H will output the manufacturer's ID first and ADD=01H will output device ID first.

**Table 9. ID Definitions**

Command Type	MX25L3233F		
	RDID	Manufacturer ID	Memory Type
C2		20	16
RES	Electronic ID		
	15		
REMS	Manufacturer ID	Device ID	
	C2	15	

**10-24. Enter Secured OTP (ENSO)**

The ENSO instruction is for entering the additional 4K-bit Secured OTP mode. While the device is in 4K-bit Secured OTP mode, array access is not available. The additional 4K-bit Secured OTP is independent from main array, and may be used to store unique serial number for system identifier. After entering the Secured OTP mode, follow standard read or program procedure to read out the data or update data. The Secured OTP data cannot be updated again once it is lock-down.

The sequence of issuing ENSO instruction is: CS# goes low→ send ENSO instruction to enter Secured OTP mode→ CS# goes high.

The SIO[3:1] are don't care.

Please note that WRSR/WRSCUR/CE/BE/SE/BE32K commands are not acceptable during the access of secure OTP region, once Security OTP is locked down, only read related commands are valid.

**10-25. Exit Secured OTP (EXSO)**

The EXSO instruction is for exiting the additional 4K-bit Secured OTP mode.

The sequence of issuing EXSO instruction is: CS# goes low→ send EXSO instruction to exit Secured OTP mode→ CS# goes high.

The SIO[3:1] are don't care.

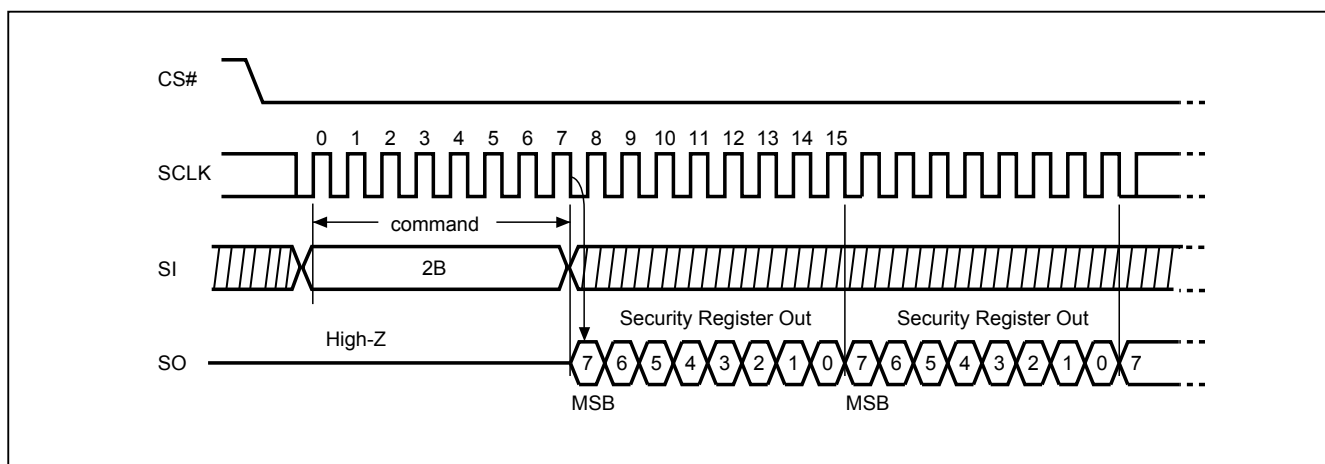
### 10-26. Read Security Register (RDSCUR)

The RDSCUR instruction is for reading the value of Security Register. The Read Security Register can be read at any time (even in program/erase/write status register/write security register condition) and continuously.

The sequence of issuing RDSCUR instruction is: CS# goes low → send RDSCUR instruction → Security Register data out on SO → CS# goes high.

The SIO[3:1] are don't care.

**Figure 30. Read Security Register (RDSCUR) Sequence (Command 2Bh)**



The definition of the Security Register is as below:

**Secured OTP Indicator bit.** The Secured OTP indicator bit shows the Secured OTP area is locked by factory or not. When it is "0", it indicates non-factory lock; "1" indicates factory- lock.

**Lock-down Secured OTP (LDSO) bit.** By writing WRSCUR instruction, the LDSO bit may be set to "1" for customer lock-down purpose. However, once the bit is set to "1" (lock-down), the LDSO bit and the 4K-bit Secured OTP area cannot be updated any more.

**Program Suspend Status bit.** Program Suspend Bit (PSB) indicates the status of Program Suspend operation. Users may use PSB to identify the state of flash memory. After the flash memory is suspended by Program Suspend command, PSB is set to "1". PSB is cleared to "0" after program operation resumes.

**Erase Suspend Status bit.** Erase Suspend Bit (ESB) indicates the status of Erase Suspend operation. Users may use ESB to identify the state of flash memory. After the flash memory is suspended by Erase Suspend command, ESB is set to "1". ESB is cleared to "0" after erase operation resumes.

**Program Fail Flag bit.** While a program failure happened, the Program Fail Flag bit would be set. If the program operation fails on a protected memory region or locked OTP region, this bit will also be set. This bit can be the failure indication of one or more program operations. This fail flag bit will be cleared automatically after the next successful program operation.

**Erase Fail Flag bit.** While an erase failure happened, the Erase Fail Flag bit would be set. If the erase operation fails on a protected memory region or locked OTP region, this bit will also be set. This bit can be the failure indication of one or more erase operations. This fail flag bit will be cleared automatically after the next successful erase operation.

**Table 10. Security Register Definition**

bit7	bit6	bit5	bit4	bit3	bit2	bit1	bit0
Reserved	E_FAIL	P_FAIL	Reserved	ESB (Erase Suspend status)	PSB (Program Suspend status)	LDSO (lock-down 4K-bit Secured OTP)	Secured OTP Indicator bit (4K-bit Secured OTP)
Reserved	0=normal Erase succeed 1=indicate Erase failed (default=0)	0=normal Program succeed 1=indicate Program failed (default=0)	Reserved	0=Erase is not suspended 1=Erase is suspended (default=0)	0=Program is not suspended 1=Program is suspended (default=0)	0 = not lockdown 1 = lock-down (Secured OTP can no longer be programmed)	0 = nonfactory lock 1 = factory lock
non-volatile bit	volatile bit	volatile bit	volatile bit	volatile bit	volatile bit	non-volatile bit	non-volatile bit
Reserved	Read Only	Read Only		Read Only	Read Only	OTP	Read Only

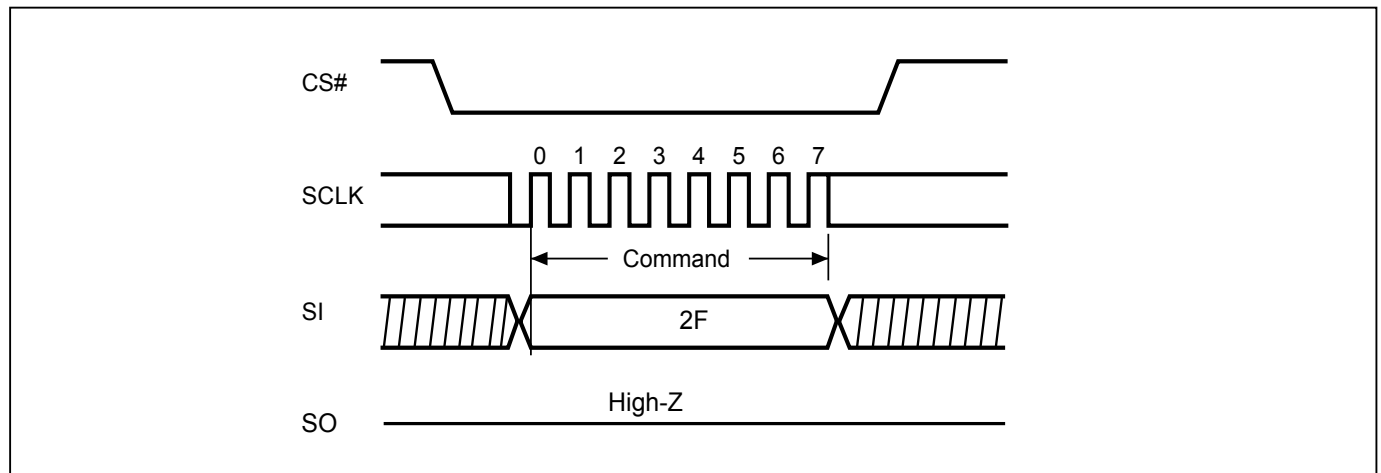
**10-27. Write Security Register (WRSCUR)**

The WRSCUR instruction is for changing the values of Security Register Bits. Unlike write status register, the WREN instruction is required before sending WRSCUR instruction. The WRSCUR instruction may change the values of bit1 (LDSO bit) for customer to lock-down the 4K-bit Secured OTP area. Once the LDSO bit is set to "1", the Secured OTP area cannot be updated any more.

The sequence of issuing WRSCUR instruction is :CS# goes low→ send WRSCUR instruction → CS# goes high.

The SIO[3:1] are don't care.

The CS# must go high exactly at the boundary; otherwise, the instruction will be rejected and not executed.

**Figure 31. Write Security Register (WRSCUR) Sequence (Command 2Fh)**

## 10-28. Program Suspend and Erase Suspend

The Suspend instruction interrupts a Page Program, Sector Erase, or Block Erase operation to allow access to the memory array. After the program or erase operation has entered the suspended state, the memory array can be read except for the page being programmed or the sector or block being erased (["Table 11. Readable Area of Memory While a Program or Erase Operation is Suspended"](#)).

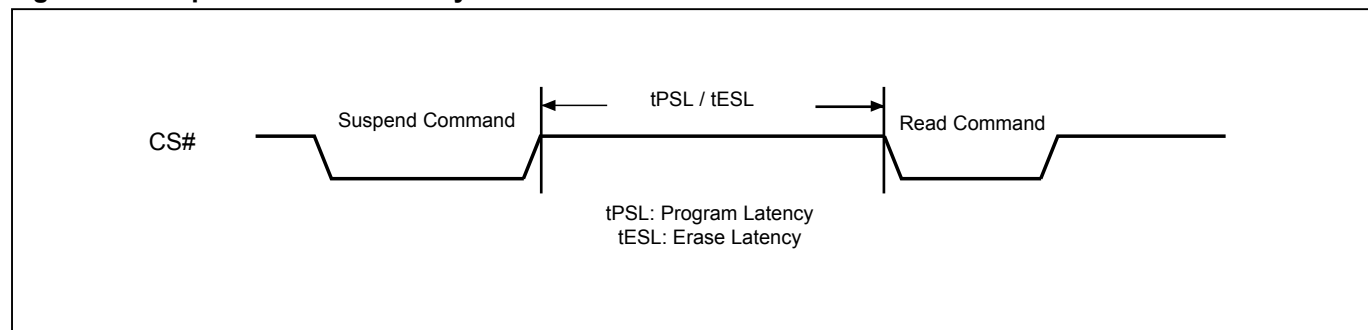
**Table 11. Readable Area of Memory While a Program or Erase Operation is Suspended**

Suspended Operation	Readable Region of Memory Array
Page Program	All but the Page being programmed
Sector Erase (4KB)	All but the 4KB Sector being erased
Block Erase (32KB)	All but the 32KB Block being erased
Block Erase (64KB)	All but the 64KB Block being erased

When the serial flash receives the Suspend instruction, there is a latency of tPSL or tESL (["Figure 32. Suspend to Read Latency"](#)) before the Write Enable Latch (WEL) bit clears to "0" and the PSB or ESB sets to "1", after which the device is ready to accept one of the commands listed in ["Table 12. Acceptable Commands During Program/Erase Suspend after tPSL/tESL"](#) (e.g. FAST READ). Refer to ["Table 18. AC Characteristics"](#) for tPSL and tESL timings. ["Table 13. Acceptable Commands During Suspend \(tPSL/tESL not required\)"](#) lists the commands for which the tPSL and tESL latencies do not apply. For example, RDSR, RDSCUR, RSTEN, and RST can be issued at any time after the Suspend instruction.

Security Register bit 2 (PSB) and bit 3 (ESB) can be read to check the suspend status. The PSB (Program Suspend Bit) sets to "1" when a program operation is suspended. The ESB (Erase Suspend Bit) sets to "1" when an erase operation is suspended. The PSB or ESB clears to "0" when the program or erase operation is resumed.

**Figure 32. Suspend to Read Latency**



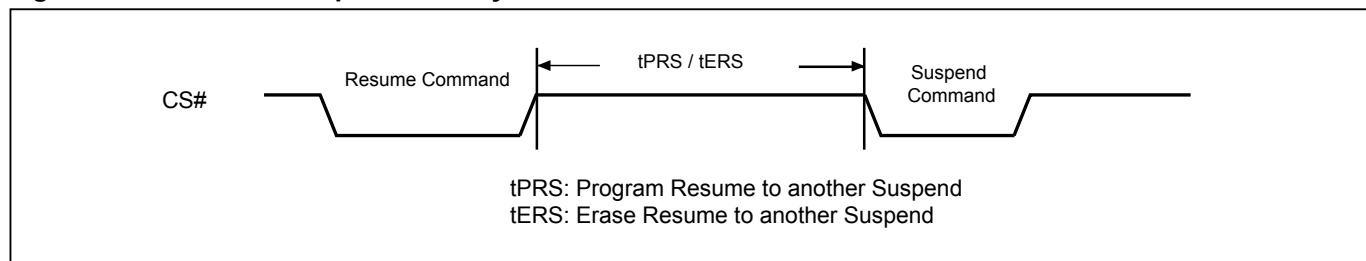
**Table 12. Acceptable Commands During Program/Erase Suspend after tPSL/tESL**

Command Name	Command Code	Suspend Type	
		Program Suspend	Erase Suspend
READ	03h	•	•
FAST READ	0Bh	•	•
DREAD	3Bh	•	•
QREAD	6Bh	•	•
2READ	BBh	•	•
4READ	EBh	•	•
RDSFDP	5Ah	•	•
RDID	9Fh	•	•
REMS	90h	•	•
ENSO	B1h	•	•
EXSO	C1h	•	•
SBL	C0h or 77h	•	•
WREN	06h		•
RESUME	7Ah or 30h	•	•
PP	02h		•
4PP	38h		•

**Table 13. Acceptable Commands During Suspend (tPSL/tESL not required)**

Command Name	Command Code	Suspend Type	
		Program Suspend	Erase Suspend
WRDI	04h	•	•
RDSR	05h	•	•
RDCR	15h	•	•
RDSCUR	2Bh	•	•
RES	ABh	•	•
RSTEN	66h	•	•
RST	99h	•	•
NOP	00h	•	•

**Figure 33. Resume to Suspend Latency**

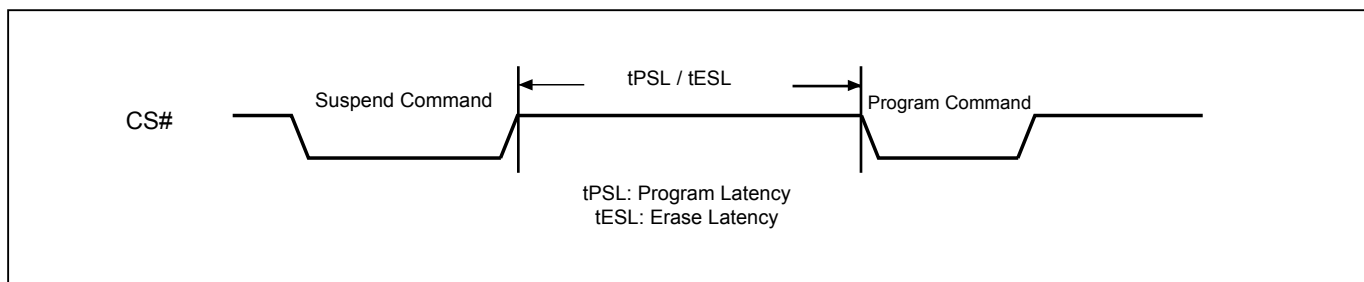


### 10-28-1. Program Suspend

The “Erase Suspend to Program” feature allows Page Programming while an erase operation is suspended. Page Programming is permitted in any unprotected memory except within the sector of a suspended Sector Erase operation or within the block of a suspended Block Erase operation. The Write Enable (WREN) instruction must be issued before any Page Program instruction.

A Page Program operation initiated within a suspended erase cannot itself be suspended and must be allowed to finish before the suspended erase can be resumed. The Status Register can be polled to determine the status of the Page Program operation. The WEL and WIP bits of the Status Register will remain “1” while the Page Program operation is in progress and will both clear to “0” when the Page Program operation completes.

**Figure 34. Suspend to Program Latency**



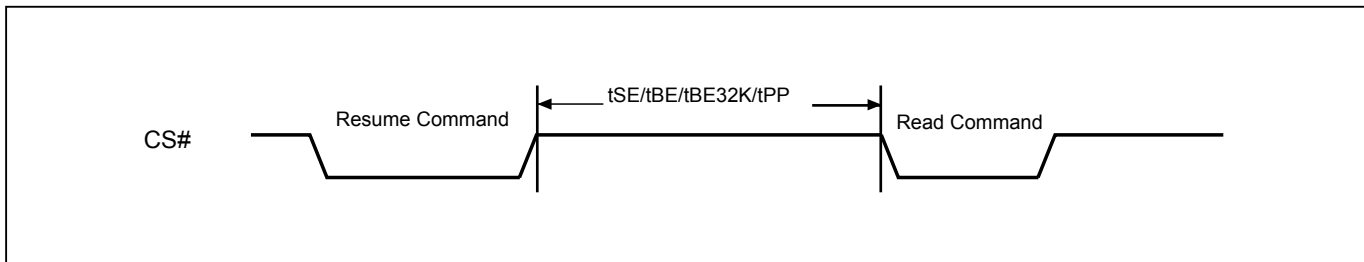
### 10-29. Program Resume and Erase Resume

The Resume instruction resumes a suspended Page Program, Sector Erase, or Block Erase operation. Before issuing the Resume instruction to restart a suspended erase operation, make sure that there is no Page Program operation in progress.

Immediately after the serial flash receives the Resume instruction, the WEL and WIP bits are set to “1” and the PSB or ESB is cleared to “0”. The program or erase operation will continue until finished ([“Figure 35. Resume to Read Latency”](#)) or until another Suspend instruction is received. A resume-to-suspend latency of  $t_{PRS}$  or  $t_{ERS}$  must be observed before issuing another Suspend instruction ([“Figure 33. Resume to Suspend Latency”](#)).

Please note that the Resume instruction will be ignored if the serial flash is in “Performance Enhance Mode”. Make sure the serial flash is not in “Performance Enhance Mode” before issuing the Resume instruction.

**Figure 35. Resume to Read Latency**





**10-30. No Operation (NOP)**

The "No Operation" command is only able to terminate the Reset Enable (RSTEN) command and will not affect any other command.

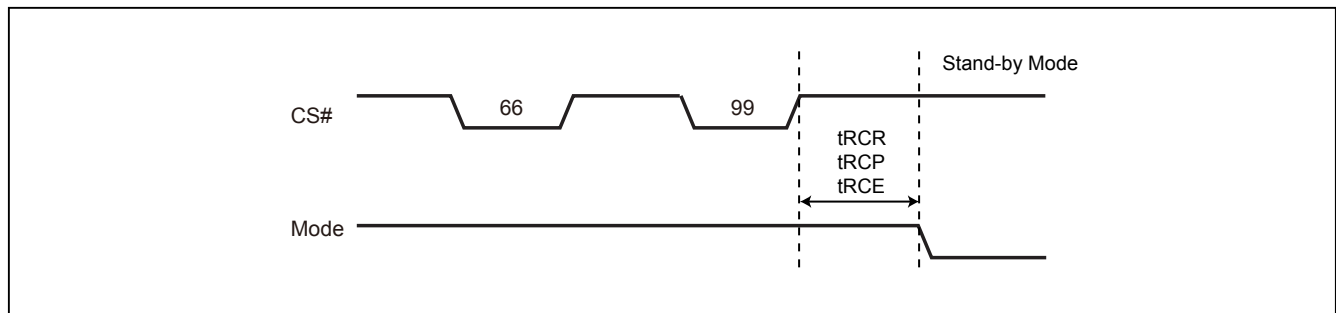
**10-31. Software Reset (Reset-Enable (RSTEN) and Reset (RST))**

The Software Reset operation combines two instructions: Reset-Enable (RSTEN) command and Reset (RST) command. It returns the device to a standby mode. All the volatile bits and settings will be cleared then, which makes the device return to the default status as power on.

To execute Reset command (RST), the Reset-Enable (RSTEN) command must be executed first to perform the Reset operation. If there is any other command to interrupt after the Reset-Enable command, the Reset-Enable will be invalid.

If the Reset command is executed during program or erase operation, the operation will be disabled, the data under processing could be damaged or lost.

The reset time is different depending on the last operation. Longer latency time is required to recover from a program operation than from other operations.

**Figure 36. Software Reset Recovery**

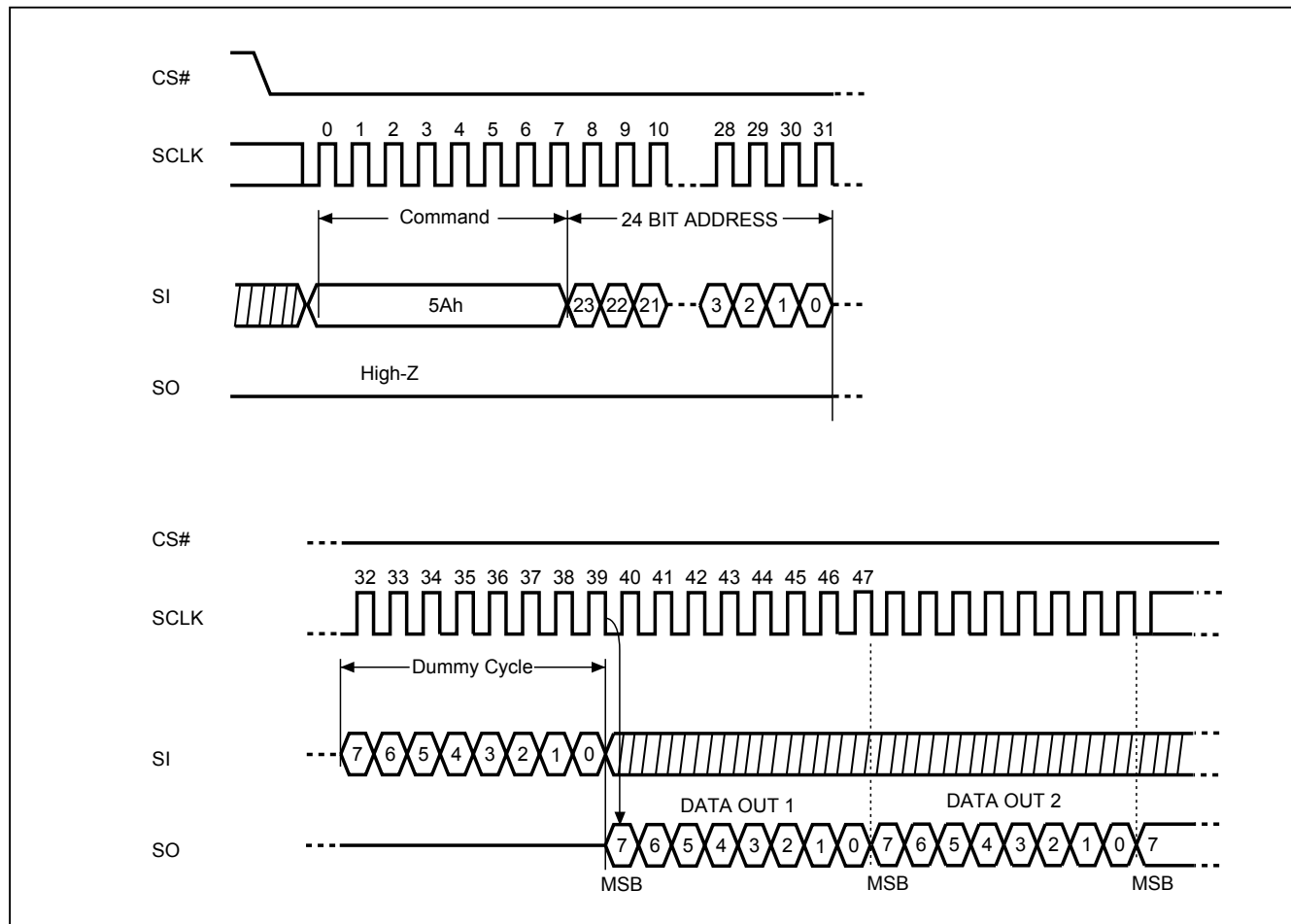
### 10-32. Read SFDP Mode (RDSFDP)

The Serial Flash Discoverable Parameter (SFDP) standard provides a consistent method of describing the functional and feature capabilities of serial flash devices in a standard set of internal parameter tables. These parameter tables can be interrogated by host system software to enable adjustments needed to accommodate divergent features from multiple vendors. The concept is similar to the one found in the Introduction of JEDEC Standard, JESD68 on CFI.

The sequence of issuing RDSFDP instruction is CS# goes low→send RDSFDP instruction (5Ah)→send 3 address bytes on SI pin→send 1 dummy byte on SI pin→read SFDP code on SO→to end RDSFDP operation can use CS# to high at any time during data out.

SFDP is a JEDEC Standard, JESD216.

**Figure 37. Read Serial Flash Discoverable Parameter (RDSFDP) Sequence**



**Table 14. Signature and Parameter Identification Data Values**

SFDP Table (JESD216) below is for MX25L3233FM1I-08G, MX25L3233FZBI-08G, MX25L3233FM2I-08G, MX25L3233FMI-08G, MX25L3233FZNI-08G, MX25L3233FM1I-08Q, MX25L3233FZBI-08Q, MX25L3233FM2I-08Q, MX25L3233FMI-08Q, MX25L3233FZNI-08Q and MX25L3233FZCI-08Q

Description	Comment	Add (h) (Byte)	DW Add (Bit)	Data (h/b) (Note1)	Data (h)
SFDP Signature	Fixed: 50444653h	00h	07:00	53h	53h
		01h	15:08	46h	46h
		02h	23:16	44h	44h
		03h	31:24	50h	50h
SFDP Minor Revision Number	Start from 00h	04h	07:00	00h	00h
SFDP Major Revision Number	Start from 01h	05h	15:08	01h	01h
Number of Parameter Headers	This number is 0-based. Therefore, 0 indicates 1 parameter header.	06h	23:16	01h	01h
Unused		07h	31:24	FFh	FFh
ID number (JEDEC)	00h: it indicates a JEDEC specified header.	08h	07:00	00h	00h
Parameter Table Minor Revision Number	Start from 00h	09h	15:08	00h	00h
Parameter Table Major Revision Number	Start from 01h	0Ah	23:16	01h	01h
Parameter Table Length (in double word)	How many DWORDs in the Parameter table	0Bh	31:24	09h	09h
Parameter Table Pointer (PTP)	First address of JEDEC Flash Parameter table	0Ch	07:00	30h	30h
		0Dh	15:08	00h	00h
		0Eh	23:16	00h	00h
Unused		0Fh	31:24	FFh	FFh
ID number (Macronix manufacturer ID)	it indicates Macronix manufacturer ID	10h	07:00	C2h	C2h
Parameter Table Minor Revision Number	Start from 00h	11h	15:08	00h	00h
Parameter Table Major Revision Number	Start from 01h	12h	23:16	01h	01h
Parameter Table Length (in double word)	How many DWORDs in the Parameter table	13h	31:24	04h	04h
Parameter Table Pointer (PTP)	First address of Macronix Flash Parameter table	14h	07:00	60h	60h
		15h	15:08	00h	00h
		16h	23:16	00h	00h
Unused		17h	31:24	FFh	FFh

**Table 15. Parameter Table (0): JEDEC Flash Parameter Tables**

SFDP Table below is for MX25L3233FM1I-08G, MX25L3233FZBI-08G, MX25L3233FM2I-08G, MX25L3233FMI-08G, MX25L3233FZNI-08G, MX25L3233FM1I-08Q, MX25L3233FZBI-08Q, MX25L3233FM2I-08Q, MX25L3233FMI-08Q, MX25L3233FZNI-08Q and MX25L3233FZCI-08Q

Description	Comment	Add (h) (Byte)	DW Add (Bit)	Data (h/b) (Note1)	Data (h)
Block/Sector Erase sizes	00: Reserved, 01: 4KB erase, 10: Reserved, 11: not support 4KB erase	30h	01:00	01b	E5h
Write Granularity	0: 1Byte, 1: 64Byte or larger		02	1b	
Write Enable Instruction Required for Writing to Volatile Status Registers	0: not required 1: required 00h to be written to the status register		03	0b	
Write Enable Opcode Select for Writing to Volatile Status Registers	0: use 50h opcode, 1: use 06h opcode Note: If target flash status register is nonvolatile, then bits 3 and 4 must be set to 00b.		04	0b	
Unused	Contains 111b and can never be changed		07:05	111b	
4KB Erase Opcode		31h	15:08	20h	20h
(1-1-2) Fast Read (Note2)	0=not support 1=support	32h	16	1b	F1h
Address Bytes Number used in addressing flash array	00: 3Byte only, 01: 3 or 4Byte, 10: 4Byte only, 11: Reserved		18:17	00b	
Double Transfer Rate (DTR) Clocking	0=not support 1=support		19	0b	
(1-2-2) Fast Read	0=not support 1=support		20	1b	
(1-4-4) Fast Read	0=not support 1=support		21	1b	
(1-1-4) Fast Read	0=not support 1=support		22	1b	
Unused			23	1b	
Unused		33h	31:24	FFh	FFh
Flash Memory Density		37h:34h	31:00	01FF FFFFh	
(1-4-4) Fast Read Number of Wait states (Note3)	0 0000b: Not supported; 0 0100b: 4 0 0110b: 6; 0 1000b: 8	38h	04:00	0 0100b	44h
(1-4-4) Fast Read Number of Mode Bits (Note4)	Mode Bits: 000b: Not supported; 010b: 2 bits		07:05	010b	
(1-4-4) Fast Read Opcode		39h	15:08	EBh	EBh
(1-1-4) Fast Read Number of Wait states	0 0000b: Not supported; 0 0100b: 4 0 0110b: 6; 0 1000b: 8	3Ah	20:16	0 1000b	08h
(1-1-4) Fast Read Number of Mode Bits	Mode Bits: 000b: Not supported; 010b: 2 bits		23:21	000b	
(1-1-4) Fast Read Opcode		3Bh	31:24	6Bh	6Bh



SFDP Table below is for MX25L3233FM1I-08G, MX25L3233FZBI-08G, MX25L3233FM2I-08G, MX25L3233FMI-08G, MX25L3233FZNI-08G, MX25L3233FM1I-08Q, MX25L3233FZBI-08Q, MX25L3233FM2I-08Q, MX25L3233FMI-08Q, MX25L3233FZNI-08Q and MX25L3233FZCI-08Q

Description	Comment	Add (h) (Byte)	DW Add (Bit)	Data (h/b) (Note1)	Data (h)
(1-1-2) Fast Read Number of Wait states	0 0000b: Not supported; 0 0100b: 4 0 0110b: 6; 0 1000b: 8	3Ch	04:00	0 1000b	08h
(1-1-2) Fast Read Number of Mode Bits	Mode Bits: 000b: Not supported; 010b: 2 bits		07:05	000b	
(1-1-2) Fast Read Opcode		3Dh	15:08	3Bh	3Bh
(1-2-2) Fast Read Number of Wait states	0 0000b: Not supported; 0 0100b: 4 0 0110b: 6; 0 1000b: 8	3Eh	20:16	0 0100b	04h
(1-2-2) Fast Read Number of Mode Bits	Mode Bits: 000b: Not supported; 010b: 2 bits		23:21	000b	
(1-2-2) Fast Read Opcode		3Fh	31:24	BBh	BBh
(2-2-2) Fast Read	0=not support 1=support	40h	00	0b	EEh
Unused			03:01	111b	
(4-4-4) Fast Read	0=not support 1=support		04	0b	
Unused			07:05	111b	
Unused		43h:41h	31:08	FFh	FFh
Unused		45h:44h	15:00	FFh	FFh
(2-2-2) Fast Read Number of Wait states	0 0000b: Not supported; 0 0100b: 4 0 0110b: 6; 0 1000b: 8	46h	20:16	0 0000b	00h
(2-2-2) Fast Read Number of Mode Bits	Mode Bits: 000b: Not supported; 010b: 2 bits		23:21	000b	
(2-2-2) Fast Read Opcode		47h	31:24	FFh	FFh
Unused		49h:48h	15:00	FFh	FFh
(4-4-4) Fast Read Number of Wait states	0 0000b: Not supported; 0 0100b: 4 0 0110b: 6; 0 1000b: 8	4Ah	20:16	0 0000b	00h
(4-4-4) Fast Read Number of Mode Bits	Mode Bits: 000b: Not supported; 010b: 2 bits		23:21	000b	
(4-4-4) Fast Read Opcode		4Bh	31:24	FFh	FFh
Sector Type 1 Size	Sector/block size = 2 <sup>N</sup> bytes (Note5) 0Ch: 4KB; 0Fh: 32KB; 10h: 64KB	4Ch	07:00	0Ch	0Ch
Sector Type 1 erase Opcode		4Dh	15:08	20h	20h
Sector Type 2 Size	Sector/block size = 2 <sup>N</sup> bytes 00h: N/A; 0Fh: 32KB; 10h: 64KB	4Eh	23:16	0Fh	0Fh
Sector Type 2 erase Opcode		4Fh	31:24	52h	52h
Sector Type 3 Size	Sector/block size = 2 <sup>N</sup> bytes 00h: N/A; 0Fh: 32KB; 10h: 64KB	50h	07:00	10h	10h
Sector Type 3 erase Opcode		51h	15:08	D8h	D8h
Sector Type 4 Size	00h: N/A, This sector type doesn't exist	52h	23:16	00h	00h
Sector Type 4 erase Opcode		53h	31:24	FFh	FFh

**Table 16. Parameter Table (1): Macronix Flash Parameter Tables**

SFDP Table below is for MX25L3233FM11-08G, MX25L3233FZBI-08G, MX25L3233FM2I-08G, MX25L3233FMI-08G, MX25L3233FZNI-08G, MX25L3233FM11-08Q, MX25L3233FZBI-08Q, MX25L3233FM2I-08Q, MX25L3233FMI-08Q, MX25L3233FZNI-08Q and MX25L3233FZCI-08Q

Description	Comment	Add (h) (Byte)	DW Add (Bit)	Data (h/b) (Note1)	Data (h)
Vcc Supply Maximum Voltage	2000h=2.000V 2700h=2.700V 3600h=3.600V	61h:60h	07:00 15:08	00h 36h	00h 36h
Vcc Supply Minimum Voltage	1650h=1.650V, 1750h=1.750V 2250h=2.250V, 2300h=2.300V 2350h=2.350V, 2650h=2.650V 2700h=2.700V	63h:62h	23:16 31:24	50h 26h	50h 26h
H/W Reset# pin	0=not support 1=support	65h:64h	00	0b	F99Eh
H/W Hold# pin	0=not support 1=support		01	1b	
Deep Power Down Mode	0=not support 1=support		02	1b	
S/W Reset	0=not support 1=support		03	1b	
S/W Reset Opcode	Reset Enable (66h) should be issued before Reset Opcode		11:04	1001 1001b (99h)	
Program Suspend/Resume	0=not support 1=support		12	1b	
Erase Suspend/Resume	0=not support 1=support		13	1b	
Unused			14	1b	
Wrap-Around Read mode	0=not support 1=support		15	1b	
Wrap-Around Read mode Opcode		66h	23:16	77h	77h
Wrap-Around Read data length	08h:support 8B wrap-around read 16h:8B&16B 32h:8B&16B&32B 64h:8B&16B&32B&64B	67h	31:24	64h	64h
Individual block lock	0=not support 1=support	6Bh:68h	00	0b	CFFEh
Individual block lock bit (Volatile/Nonvolatile)	0=Volatile 1=Nonvolatile		01	1b	
Individual block lock Opcode			09:02	1111 1111b (FFh)	
Individual block lock Volatile protect bit default protect status	0=protect 1=unprotect		10	1b	
Secured OTP	0=not support 1=support		11	1b	
Read Lock	0=not support 1=support		12	0b	
Permanent Lock	0=not support 1=support		13	0b	
Unused			15:14	11b	
Unused			31:16	FFh	
Unused		6Fh:6Ch	31:00	FFh	FFh

**Notes:**

- 1: *h/b* is hexadecimal or binary.
- 2: **(x-y-z)** means I/O mode nomenclature used to indicate the number of active pins used for the opcode (*x*), address (*y*), and data (*z*). At the present time, the only valid Read SFDP instruction modes are: (1-1-1), (2-2-2), and (4-4-4)
- 3: *Wait States* is required dummy clock cycles after the address bits or optional mode bits.
- 4: *Mode Bits* is optional control bits that follow the address bits. These bits are driven by the system controller if they are specified. (eg, read performance enhance toggling bits)
- 5: 4KB=2<sup>0Ch</sup>, 32KB=2<sup>0Fh</sup>, 64KB=2<sup>10h</sup>
- 6: All unused and undefined area data is blank FFh for SFDP Tables that are defined in Parameter Identification Header. All other areas beyond defined SFDP Table are reserved by Macronix.

## 11. POWER-ON STATE

The device is in the states below when power-up:

- Standby mode
- Write Enable Latch (WEL) bit is reset

The device must not be selected during power-up and power-down stage until the VCC reaches the following levels:

- VCC minimum at power-up stage and then after a delay of  $t_{VSL}$
- GND at power-down

Please note that a pull-up resistor on CS# may ensure a safe and proper power-up/down level.

An internal Power-on Reset (POR) circuit may protect the device from data corruption and inadvertent data change during power up state.

For further protection on the device, if the VCC does not reach the VCC minimum level, the correct operation is not guaranteed. The read, write, erase, and program command should be sent after the time delay:

- $t_{VSL}$  after VCC reached VCC minimum level

The device can accept read command after VCC reached VCC minimum and a time delay of  $t_{VSL}$ .

### Note:

- To stabilize the VCC level, the VCC rail decoupled by a suitable capacitor close to package pins is recommended. (generally around 0.1 $\mu$ F)



## 12. Electrical Specifications

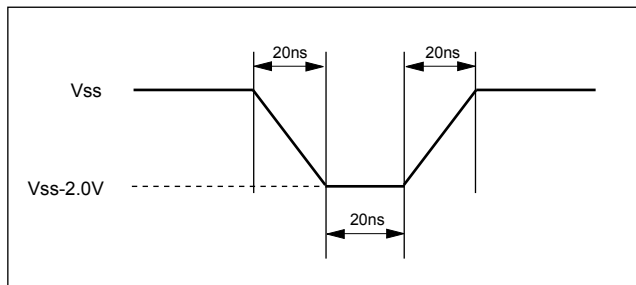
### 12-1. Absolute Maximum Ratings

RATING		VALUE
Ambient Operating Temperature	Industrial grade	-40°C to 85°C
Storage Temperature		-65°C to 150°C
Applied Input Voltage		-0.5V to 4.6V
Applied Output Voltage		-0.5V to 4.6V
VCC to Ground Potential		-0.5V to 4.6V

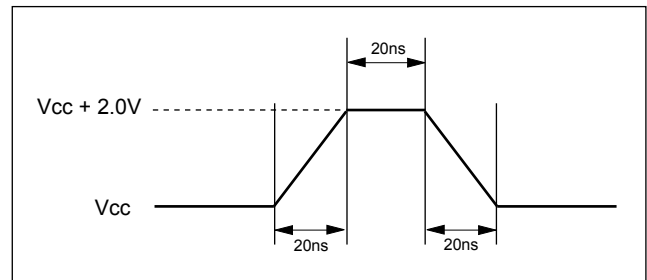
**NOTICE:**

- Stresses greater than those listed under ABSOLUTE MAXIMUM RATINGS may cause permanent damage to the device. This is stress rating only and functional operational sections of this specification is not implied. Exposure to absolute maximum rating conditions for extended period may affect reliability.
- Specifications contained within the following tables are subject to change.
- During voltage transitions, all pins may overshoot Vss to -2.0V and Vcc to +2.0V for periods up to 20ns, see the figures below.

**Figure 38. Maximum Negative Overshoot Waveform**



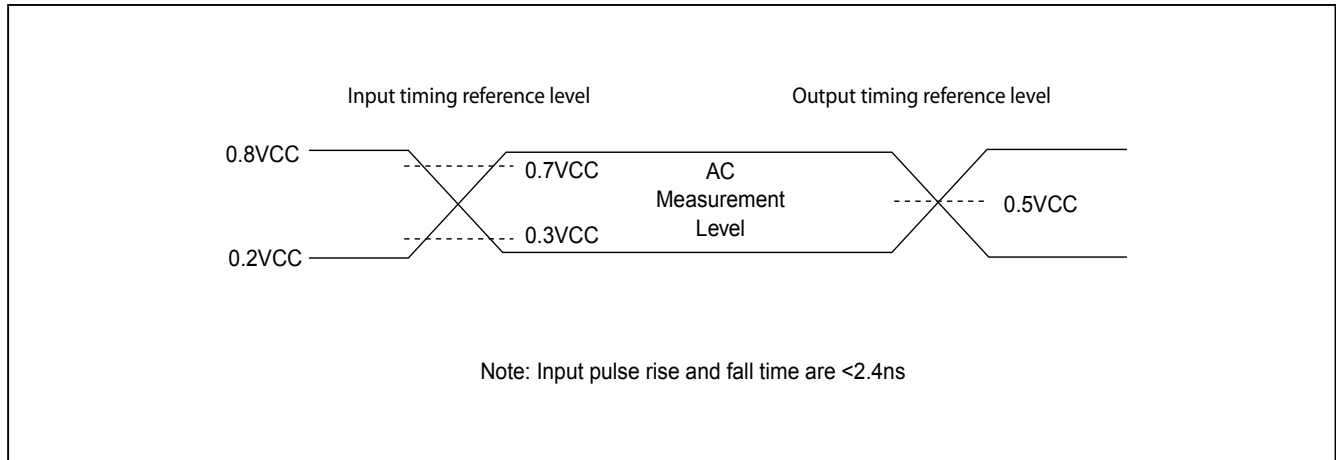
**Figure 39. Maximum Positive Overshoot Waveform**



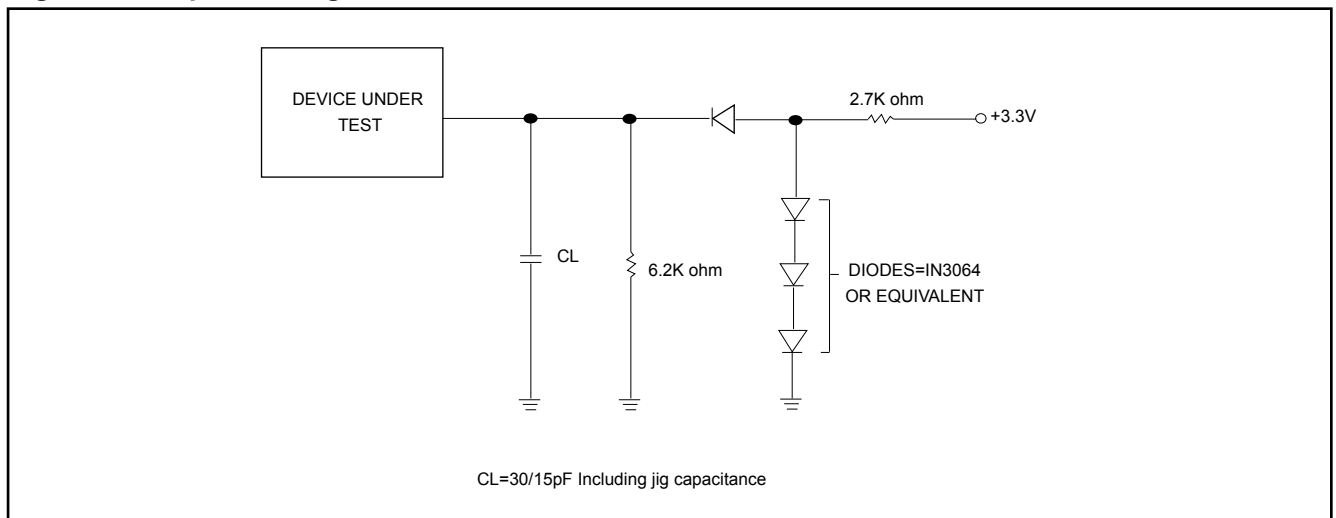
### 12-2. Capacitance TA = 25°C, f = 1.0 MHz

Symbol	Parameter	Min.	Typ.	Max.	Unit	Conditions
CIN	Input Capacitance			6	pF	VIN = 0V
COUT	Output Capacitance			8	pF	VOUT = 0V

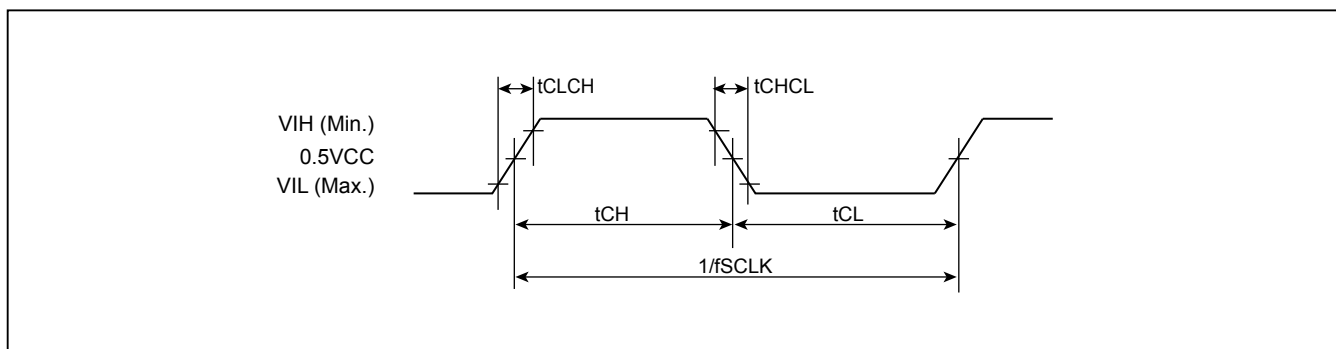
**Figure 40. Data Input Test Waveforms and Measurement Level**



**Figure 41. Output Loading**



**Figure 42. SCLK TIMING DEFINITION**



**Table 17. DC Characteristics**

Temperature = -40°C to 85°C for Industrial grade

Symbol	Parameter	Notes	Min.	Typ.	Max.	Units	Test Conditions
ILI	Input Load Current	1			± 2	uA	VCC = VCC Max, VIN = VCC or GND
ILO	Output Leakage Current	1			± 2	uA	VCC = VCC Max, VOUT = VCC or GND
ISB1	VCC Standby Current	1		10	50	uA	VIN = VCC or GND, CS# = VCC
ISB2	Deep Power-down Current			3	20	uA	VIN = VCC or GND, CS# = VCC
ICC1	VCC Read	1		2.5	5	mA	f=50MHz, SCLK=0.1VCC/0.9VCC, SO=Open
				10	17	mA	fQ=133MHz (4 x I/O read) SCLK=0.1VCC/0.9VCC, SO=Open
ICC2	VCC Program Current (PP)	1		10	15	mA	Program in Progress, CS# = VCC
ICC3	VCC Write Status Register (WRSR) Current			10	15	mA	Program status register in progress, CS#=VCC
ICC4	VCC Sector Erase Current (SE)	1		10	15	mA	Erase in Progress, CS#=VCC
ICC5	VCC Chip Erase Current (CE)	1		10	15	mA	Erase in Progress, CS#=VCC
VIL	Input Low Voltage		-0.5		0.8	V	
VIH	Input High Voltage		0.7VCC		VCC+0.4	V	
VOL	Output Low Voltage				0.4	V	IOL = 1.6mA
VOH	Output High Voltage		VCC-0.2			V	IOH = -100uA

**Notes :**

1. Typical values at VCC = 3.3V, T = 25°C. These currents are valid for all product versions (package and speeds).
2. Typical value is calculated by simulation.
3. The value guaranteed by characterization, not 100% tested in production.

**Table 18. AC Characteristics**

Temperature = -40°C to 85°C for Industrial grade

Symbol	Alt.	Parameter	Min.	Typ.	Max.	Unit		
fSCLK	fC	Clock Frequency for the following instructions: FAST_READ, PP, SE, BE32K, BE, CE, RES, WREN, WRDI, RDID, RDSR, WRSR	D.C.		133	MHz		
fTCLK	fT	Clock Frequency for 2READ/DREAD instructions			133	MHz		
	fQ	Clock Frequency for 4READ/QREAD instructions			133	MHz		
f4PP		Clock Frequency for 4PP (Quad page program)			133	MHz		
fRSCLK	fR	Clock Frequency for READ instructions			50	MHz		
tCH <sup>(1)</sup>	tCLH	Clock High Time	Others (fSCLK/fTCLK)	> 50MHz	45% x (1/fSCLK)		ns	
				≤ 50MHz	9		ns	
			Normal Read (fRSCLK)		9			ns
tCL <sup>(1)</sup>	tCLL	Clock Low Time	Others (fSCLK/fTCLK)	> 50MHz	45% x (1/fSCLK)		ns	
				≤ 50MHz	9		ns	
			Normal Read (fRSCLK)		9			ns
tCLCH <sup>(2)</sup>		Clock Rise Time (peak to peak)	0.1			V/ns		
tCHCL <sup>(2)</sup>		Clock Fall Time (peak to peak)	0.1			V/ns		
tSLCH	tCSS	CS# Active Setup Time (relative to SCLK)	4			ns		
tCHSL		CS# Not Active Hold Time (relative to SCLK)	4			ns		
tDVCH	tDSU	Data In Setup Time	2			ns		
tCHDX	tDH	Data In Hold Time	3			ns		
tCHSH		CS# Active Hold Time (relative to SCLK)	4			ns		
tSHCH		CS# Not Active Setup Time (relative to SCLK)	4			ns		
tSHSL	tCSH	CS# Deselect Time	From Read to next Read		15		ns	
			From Write/Erase/Program to Read Status Register		50		ns	
tSHQZ <sup>(2)</sup>	tDIS	Output Disable Time	2.65V-3.6V			10	ns	
			3.0V-3.6V			8	ns	
tHLCH		HOLD# Setup Time (relative to SCLK)	5			ns		
tCHHH		HOLD# Hold Time (relative to SCLK)	5			ns		
tHHCH		HOLD Setup Time (relative to SCLK)	5			ns		
tCHHL		HOLD Hold Time (relative to SCLK)	5			ns		
tHHQX	tLZ	HOLD to Output Low-Z Loading=30pF	2.65V-3.6V			10	ns	
			3.0V-3.6V			8	ns	
tHLQZ	tHZ	HOLD# to Output High-Z Loading=30pF	2.65V-3.6V			10	ns	
			3.0V-3.6V			8	ns	
tCLQV	tV	Clock Low to Output Valid VCC=2.65V-3.6V	Loading: 15pF			6	ns	
			Loading: 30pF			8	ns	
tCLQX	tHO	Output Hold Time	1			ns		
tWHSL <sup>(3)</sup>		Write Protect Setup Time	20			ns		
tSHWL <sup>(3)</sup>		Write Protect Hold Time	100			ns		
tESL <sup>(4)</sup>		Erase Suspend Latency			20	us		
tPSL <sup>(4)</sup>		Program Suspend Latency			20	us		
tPRS <sup>(5)</sup>		Latency between Program Resume and next Suspend	0.3	100		us		
tERS <sup>(6)</sup>		Latency between Erase Resume and next Suspend	0.3	200		us		

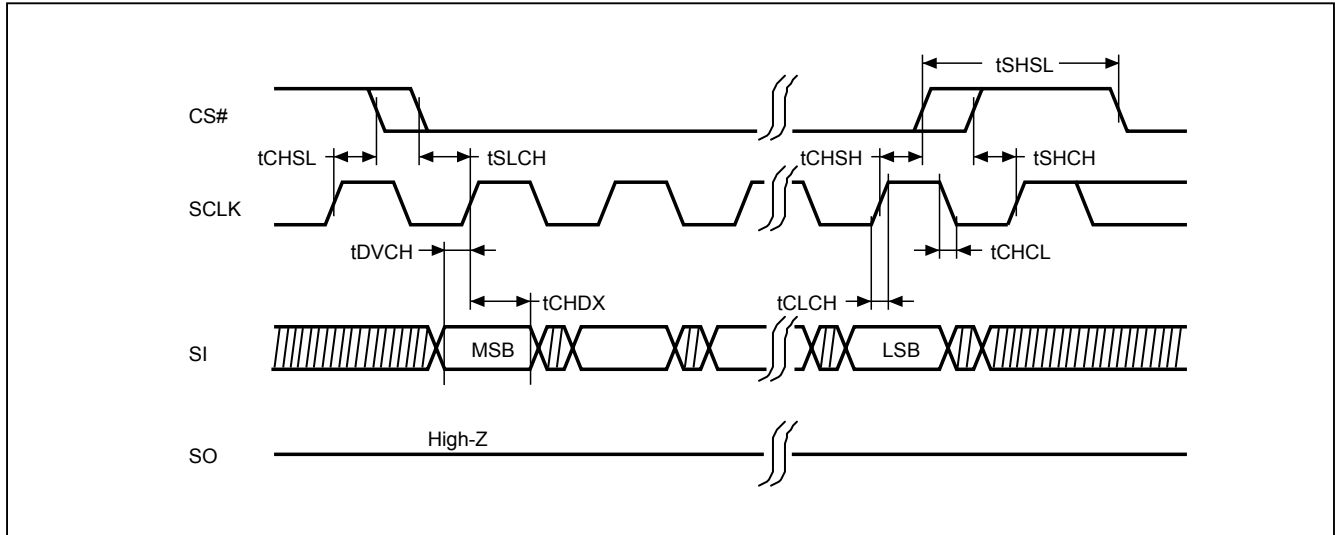
Symbol	Alt.	Parameter	Min.	Typ.	Max.	Unit
tRCR		Recovery Time from Read	20			us
tRCP		Recovery Time from Program	20			us
tRCE		Recovery Time from Erase	12			ms
tDP		CS# High to Deep Power-down Mode			10	us
tRES1		CS# High to Standby Mode without Electronic Signature Read			100	us
tRES2		CS# High to Standby Mode with Electronic Signature Read			100	us
tW		Write Status Register Cycle Time			40	ms
tBP		Byte-Program		10	50	us
tPP		Page Program Cycle Time		0.33	1.2	ms
tSE		Sector Erase Cycle Time (4KB)		25	200	ms
tBE32K		Block Erase Cycle Time (32KB)		0.14	0.6	s
tBE		Block Erase Cycle Time (64KB)		0.25	1	s
tCE		Chip Erase Cycle Time		10	30	s
tWSR		Write Security Register Time			1	ms

**Notes:**

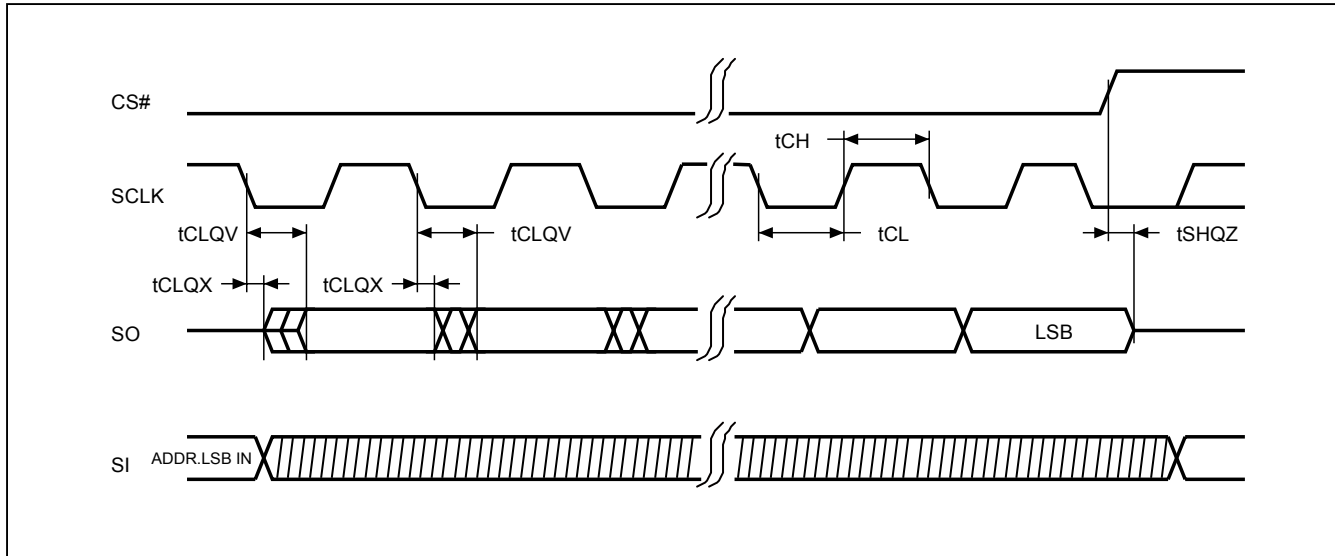
1.  $t_{CH} + t_{CL}$  must be greater than or equal to  $1/f_C$ .
2. The value guaranteed by characterization, not 100% tested in production.
3. Only applicable as a constraint for a WRSR instruction when SRWD is set at 1.
4. Latency time is required to complete Erase/Program Suspend operation until WIP bit is "0".
5. For tPRS, minimum timing must be observed before issuing the next program suspend command. However, a period equal to or longer than the typical timing is required in order for the program operation to make progress.
6. For tERS, minimum timing must be observed before issuing the next erase suspend command. However, a period equal to or longer than the typical timing is required in order for the erase operation to make progress.

### 13. TIMING ANALYSIS

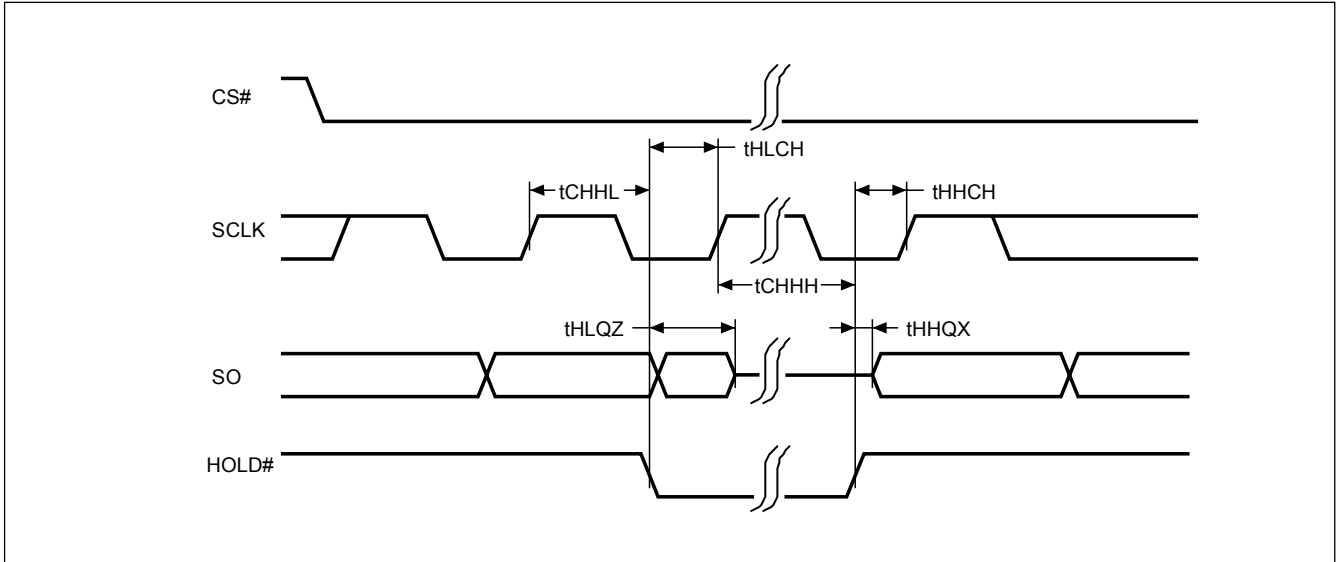
**Figure 43. Serial Input Timing**



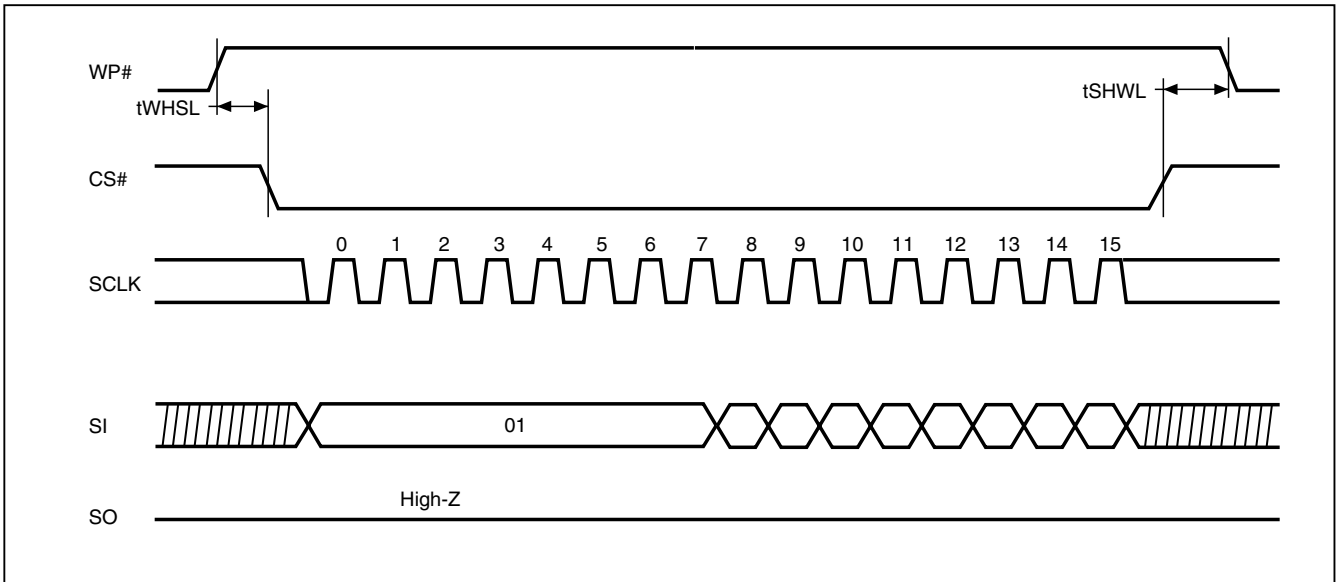
**Figure 44. Output Timing**



**Figure 45. Hold Timing**



**Figure 46. WP# Setup Timing and Hold Timing during WRSR when SRWD=1**



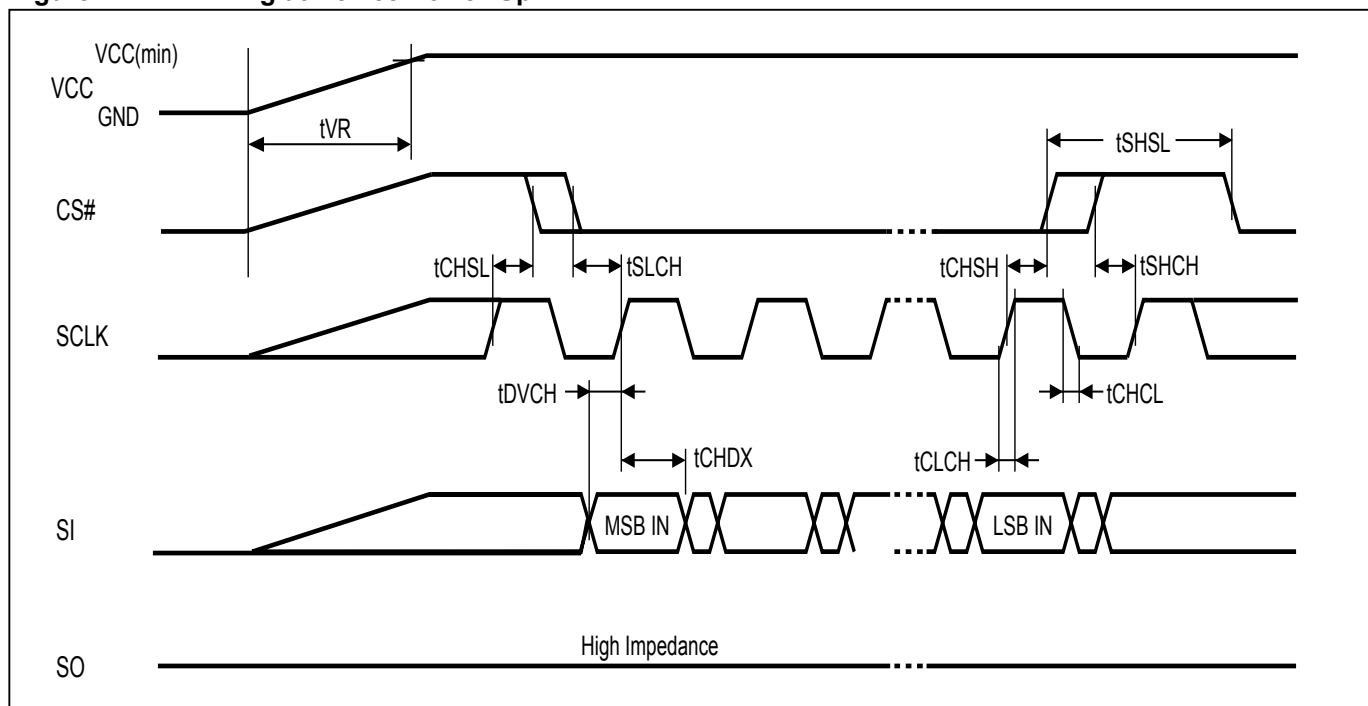
## 14. OPERATING CONDITIONS

### At Device Power-Up and Power-Down

AC timing illustrated in "Figure 47. AC Timing at Device Power-Up" and "Figure 48. Power-Down Sequence" are for the supply voltages and the control signals at device power-up and power-down. If the timing in the figures is ignored, the device will not operate correctly.

During power-up and power-down, CS# needs to follow the voltage applied on VCC to keep the device not to be selected. The CS# can be driven low when VCC reach  $V_{CC}(\min.)$  and wait a period of  $t_{VSL}$ .

**Figure 47. AC Timing at Device Power-Up**



Symbol	Parameter	Notes	Min.	Max.	Unit
$t_{VR}$	VCC Rise Time	1		500000	us/V

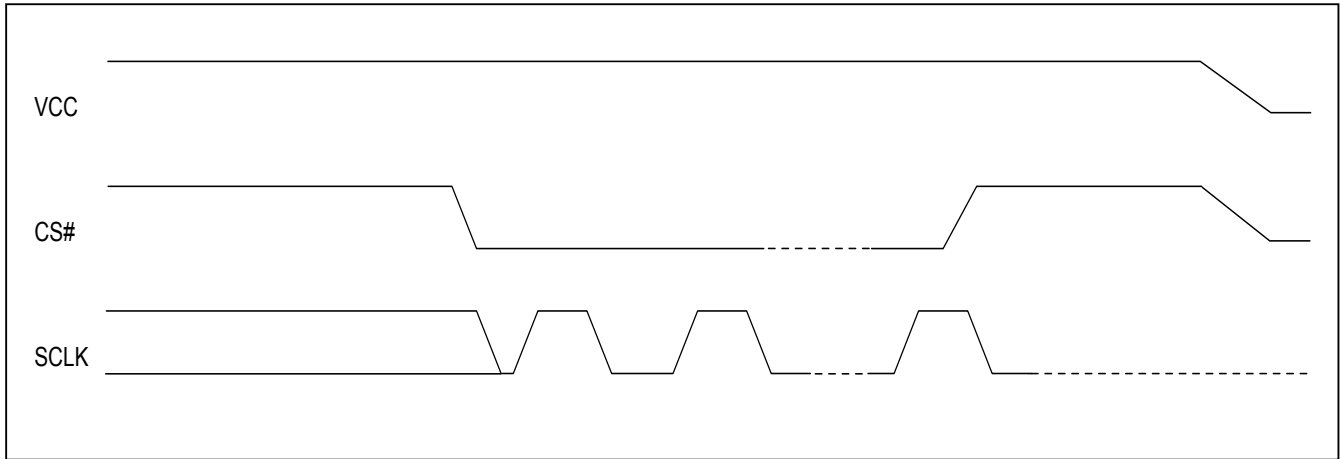
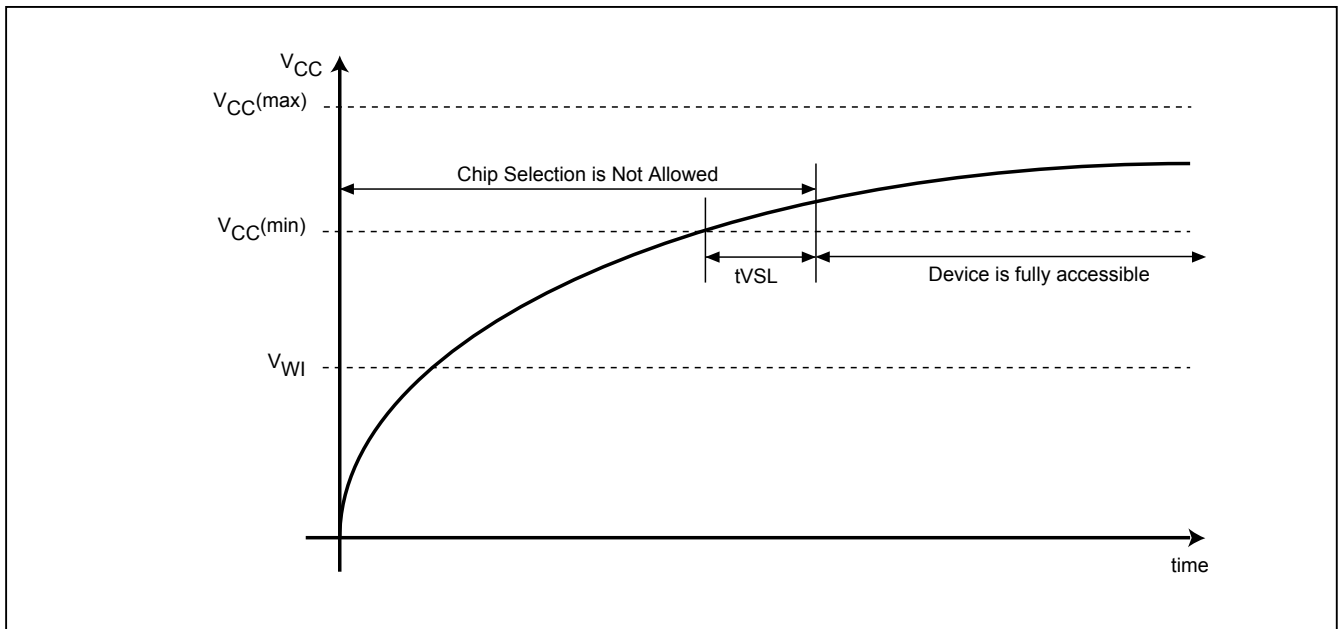
**Notes :**

1. Sampled, not 100% tested.
2. For AC spec  $t_{CHSL}$ ,  $t_{SLCH}$ ,  $t_{DVCH}$ ,  $t_{CHDX}$ ,  $t_{SHSL}$ ,  $t_{CHSH}$ ,  $t_{SHCH}$ ,  $t_{CHCL}$ ,  $t_{CLCH}$  in the figure, please refer to "Table 18. AC Characteristics".



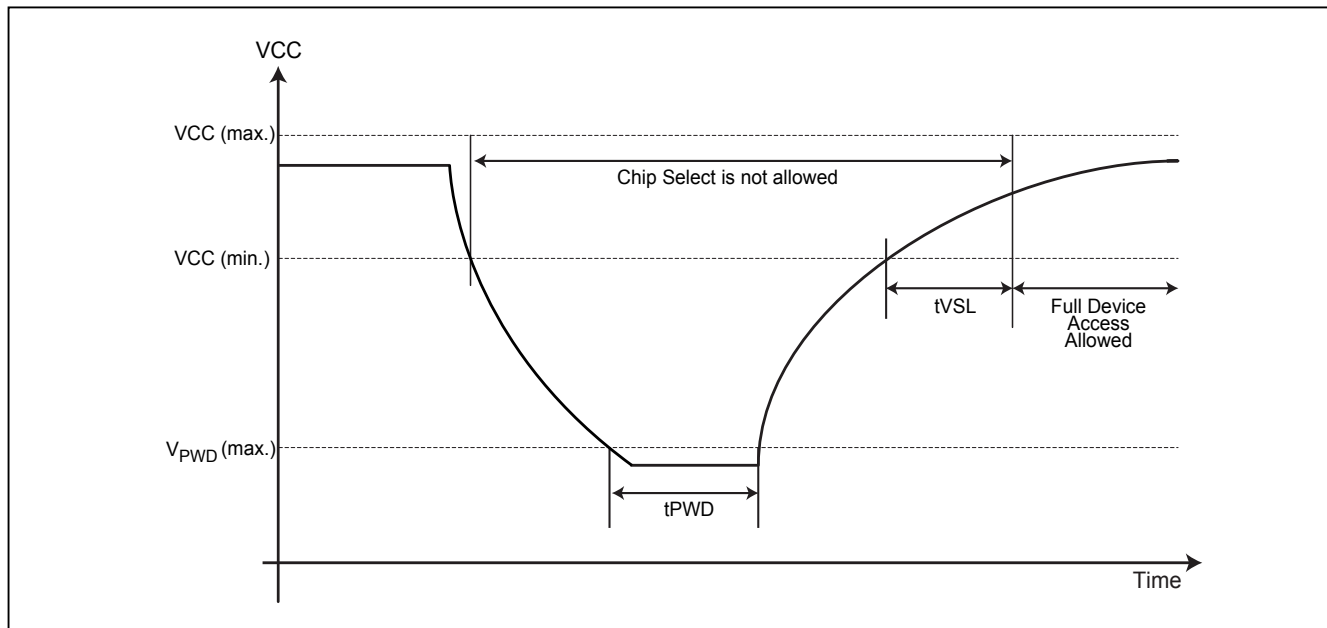
**Figure 48. Power-Down Sequence**

During power-down, CS# needs to follow the voltage drop on VCC to avoid mis-operation.

**Figure 49. Power-up Timing**

**Figure 50. Power Up/Down and Voltage Drop**

When powering down the device, VCC must drop below  $V_{PVD}$  for at least  $t_{PVD}$  to ensure the device will initialize correctly during power up. Please refer to "Figure 50. Power Up/Down and Voltage Drop" and "Table 19. Power-Up/Down Voltage and Timing" below for more details.



**Table 19. Power-Up/Down Voltage and Timing**

Symbol	Parameter	Min.	Max.	Unit
$t_{VSL}$	VCC(min.) to device operation	800		us
VWI	Write Inhibit Voltage	1.5	2.5	V
$V_{PVD}$	VCC voltage needed to below $V_{PVD}$ for ensuring initialization will occur		0.9	V
$t_{PVD}$	The minimum duration for ensuring initialization will occur	300		us
VCC	VCC Power Supply	2.65	3.6	V

**Note:** These parameters are characterized only.

### 14-1. Initial Delivery State

The device is delivered with the memory array erased: all bits are set to 1 (each byte contains FFh). The Status Register contains 00h (all Status Register bits are 0).

## 15. ERASE AND PROGRAMMING PERFORMANCE

Parameter	Typ. <sup>(1)</sup>	Max. <sup>(2)</sup>	Unit
Write Status Register Cycle Time		40	ms
Sector Erase Time (4KB)	25	200	ms
Block Erase Time (64KB)	0.25	1	s
Block Erase Time (32KB)	0.14	0.6	s
Chip Erase Time	10	30	s
Byte Program Time (via page program command)	10	50	us
Page Program Time	0.33	1.2	ms
Erase/Program Cycle	100,000		cycles

### Notes:

1. Typical program and erase time assumes the following conditions: 25°C, 3.3V, and checkerboard pattern.
2. Under worst conditions of 2.65V, highest operation temperature, post program/erase cycling.
3. System-level overhead is the time required to execute the first-bus-cycle sequence for the programming command.

## 16. DATA RETENTION

Parameter	Condition	Min.	Max.	Unit
Data retention	55°C	20		years

## 17. LATCH-UP CHARACTERISTICS

	Min.	Max.
Input Voltage with respect to GND on all power pins		1.5 VCCmax
Input Current on all non-power pins	-100mA	+100mA
Test conditions: VCC = VCCmax, one pin at a time (compliant to JEDEC JESD78 standard).		

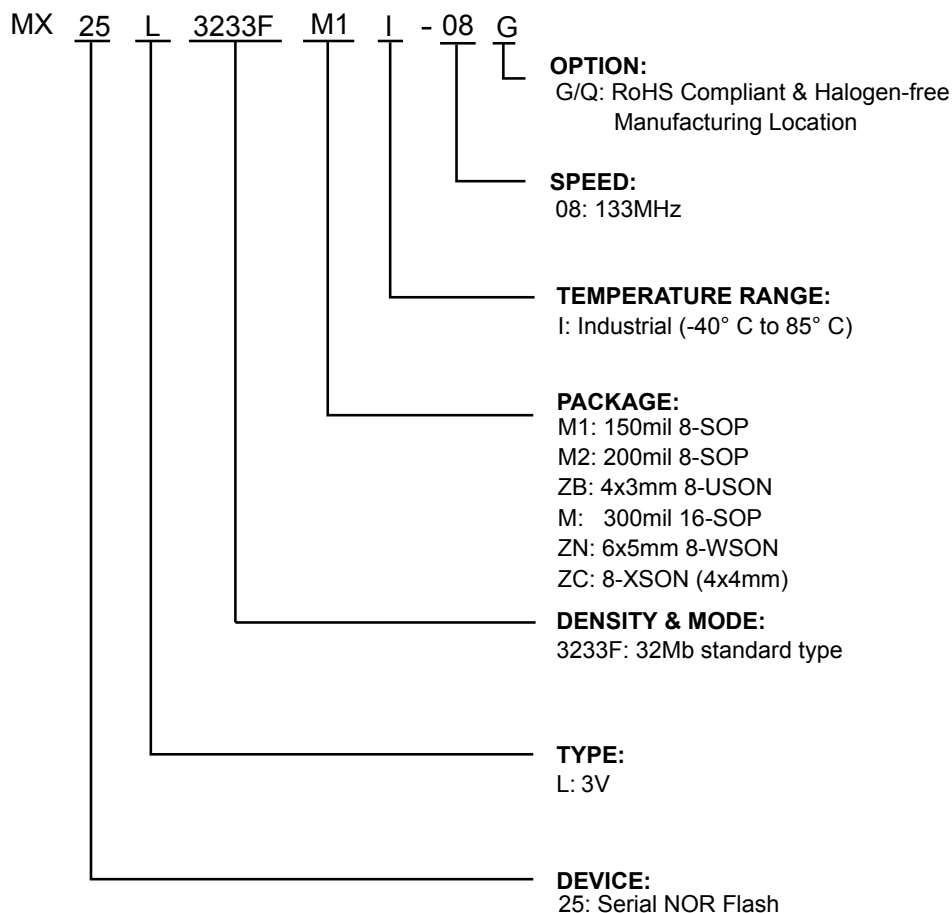


## 18. ORDERING INFORMATION

Please contact our regional sales for the latest product selection and available form factors.

PART NO.	CLOCK (MHz)	TEMPERATURE	PACKAGE	Remark
MX25L3233FM1I-08G	133	-40°C to 85°C	8-SOP (150mil)	
MX25L3233FM2I-08G	133	-40°C to 85°C	8-SOP (200mil)	
MX25L3233FZBI-08G	133	-40°C to 85°C	8-USON (4x3mm)	
MX25L3233FMI-08G	133	-40°C to 85°C	16-SOP (300mil)	
MX25L3233FZNI-08G	133	-40°C to 85°C	8-WSON (6x5mm)	
MX25L3233FM1I-08Q	133	-40°C to 85°C	8-SOP (150mil)	
MX25L3233FM2I-08Q	133	-40°C to 85°C	8-SOP (200mil)	
MX25L3233FZBI-08Q	133	-40°C to 85°C	8-USON (4x3mm)	
MX25L3233FZNI-08Q	133	-40°C to 85°C	8-WSON (6x5mm)	
MX25L3233FZCI-08Q	133	-40°C to 85°C	8-XSON (4mmx4mm)	

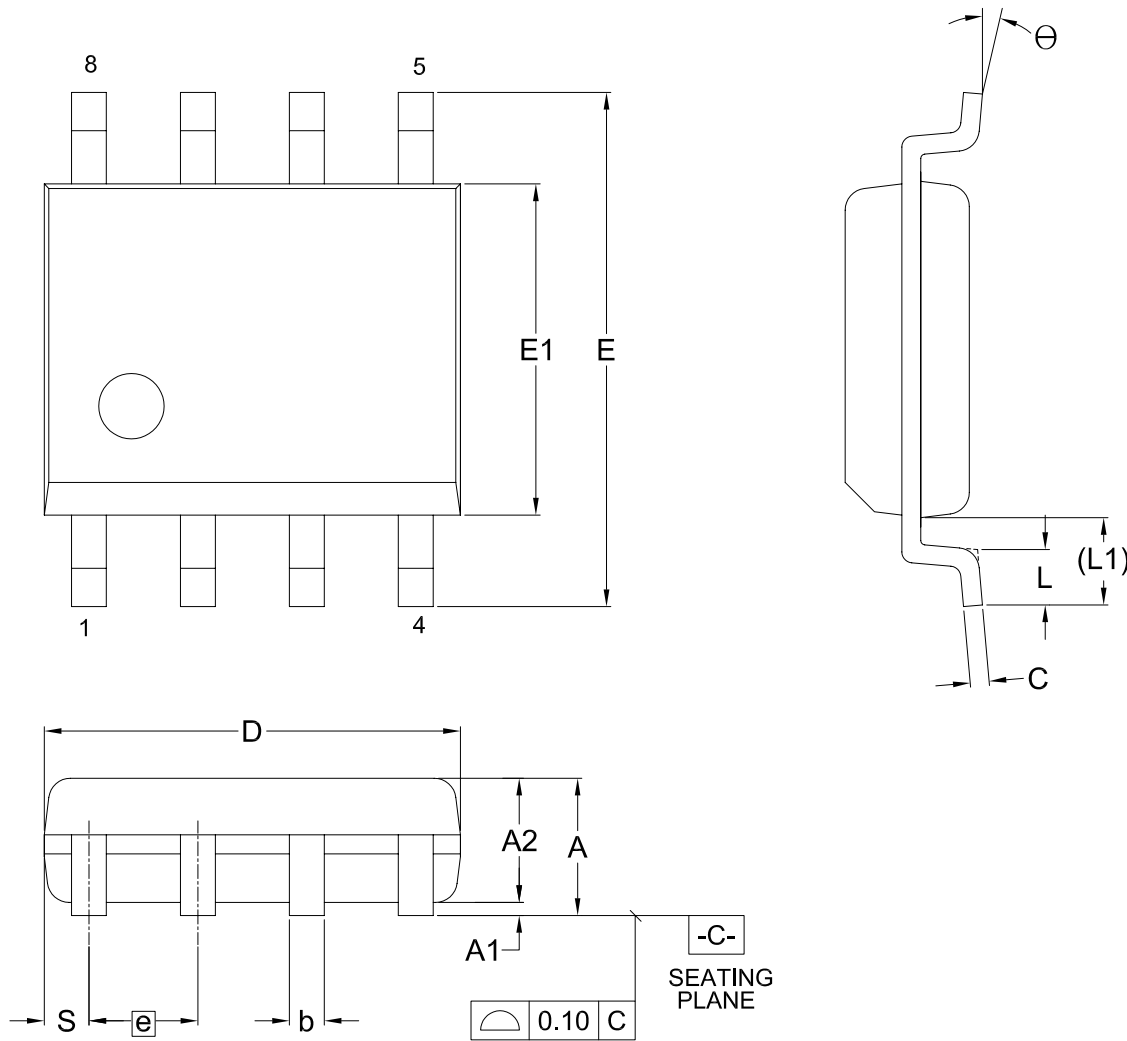
**19. PART NAME DESCRIPTION**



**20. PACKAGE INFORMATION**

**20-1. 8-pin SOP (150mil)**

Doc. Title: Package Outline for SOP 8L (150MIL)

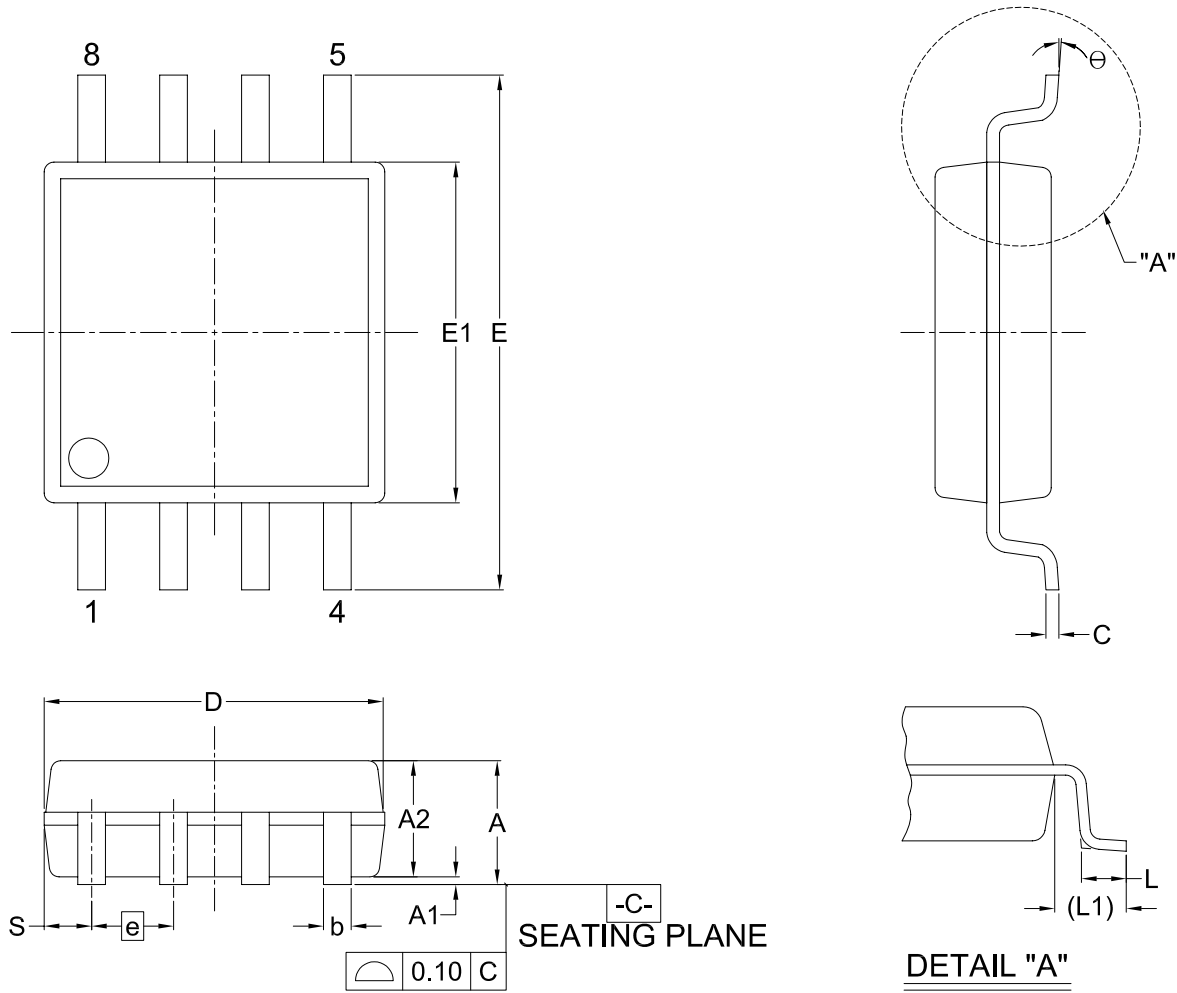


Dimensions (inch dimensions are derived from the original mm dimensions)

SYMBOL		A	A1	A2	b	C	D	E	E1	e	L	L1	S	θ
UNIT														
mm	Min.	—	0.10	1.35	0.36	0.15	4.77	5.80	3.80	—	0.46	0.85	0.41	0°
	Nom.	—	0.15	1.45	0.41	0.20	4.90	5.99	3.90	1.27	0.66	1.05	0.54	5°
	Max.	1.75	0.20	1.55	0.51	0.25	5.03	6.20	4.00	—	0.86	1.25	0.67	8°
Inch	Min.	—	0.004	0.053	0.014	0.006	0.188	0.228	0.150	—	0.018	0.033	0.016	0°
	Nom.	—	0.006	0.057	0.016	0.008	0.193	0.236	0.154	0.050	0.026	0.041	0.021	5°
	Max.	0.069	0.008	0.061	0.020	0.010	0.198	0.244	0.158	—	0.034	0.049	0.026	8°

**20-2. 8-pin SOP (200mil)**

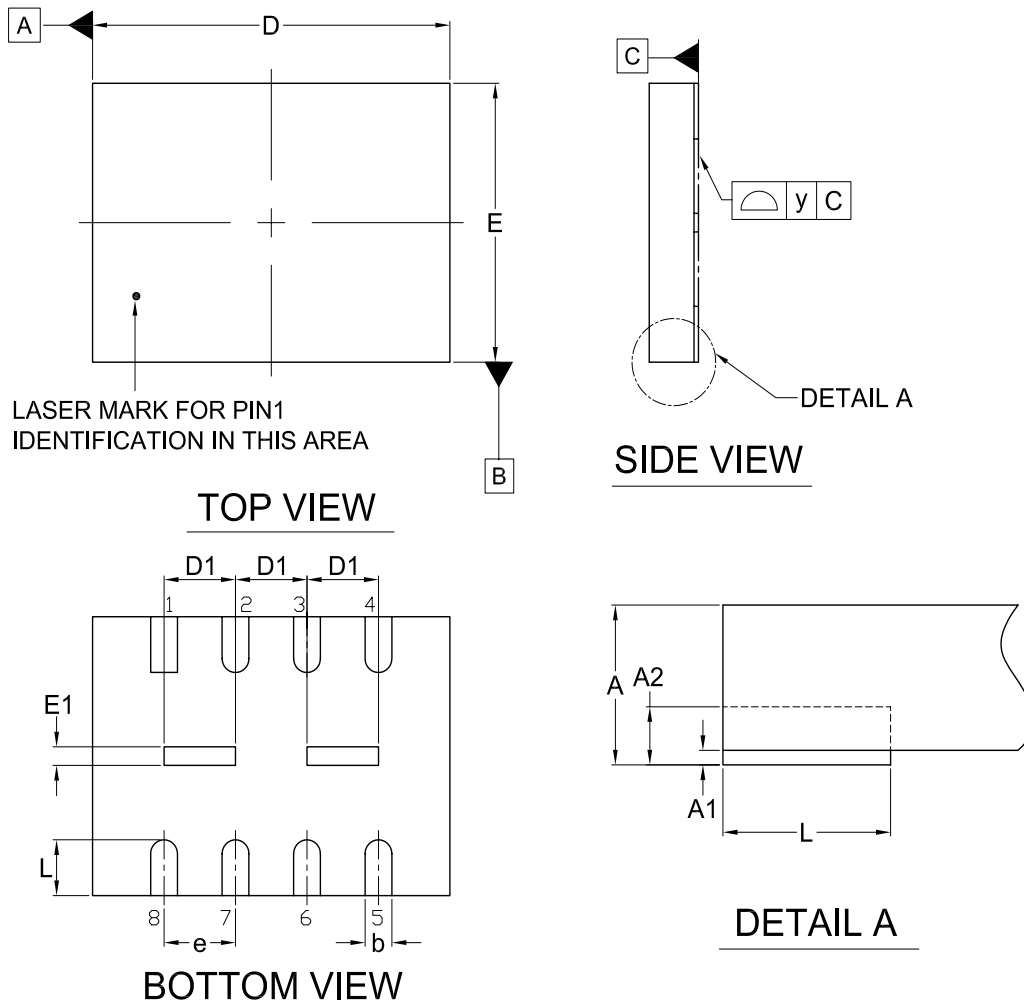
Doc. Title: Package Outline for SOP 8L 200MIL



Dimensions (inch dimensions are derived from the original mm dimensions)

SYMBOL		A	A1	A2	b	C	D	E	E1	e	L	L1	S	$\theta$
UNIT														
mm	Min.	1.75	0.05	1.70	0.36	0.19	5.13	7.70	5.18	—	0.50	1.21	0.62	0°
	Nom.	1.95	0.15	1.80	0.41	0.20	5.23	7.90	5.28	1.27	0.65	1.31	0.74	5°
	Max.	2.16	0.20	1.91	0.51	0.25	5.33	8.10	5.38	—	0.80	1.41	0.88	8°
Inch	Min.	0.069	0.002	0.067	0.014	0.007	0.202	0.303	0.204	—	0.020	0.048	0.024	0°
	Nom.	0.077	0.006	0.071	0.016	0.008	0.206	0.311	0.208	0.050	0.026	0.052	0.029	5°
	Max.	0.085	0.008	0.075	0.020	0.010	0.210	0.319	0.212	—	0.031	0.056	0.035	8°

**20-3. 8-land USON (4x3mm)**  
**Package Outline for USON 8L (4x3x0.60MM, LEAD PITCH 0.8MM)**



Note:

This package has an exposed metal pad underneath the package. It is recommended to leave the metal pad floating or to connect it to the same ground as the GND pin of the package. Do not connect the metal pad to any other voltage or signal line on the PCB. Avoid placing vias or traces underneath the metal pad. Connection of this metal pad to any other voltage or signal line can result in shorts and/or electrical malfunction of the device.

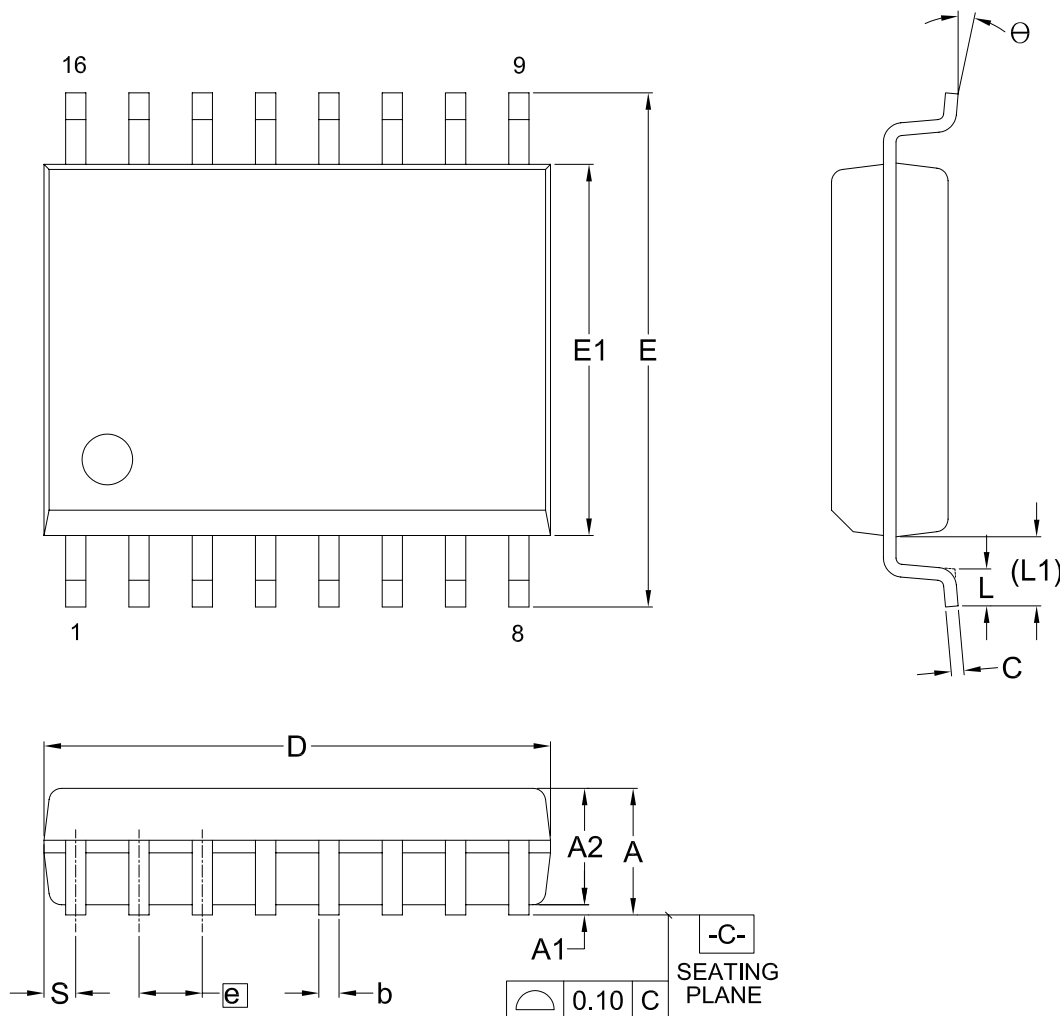
Dimensions (inch dimensions are derived from the original mm dimensions)

SYMBOL		A	A1	A2	b	D	D1	E	E1	L	e	y
UNIT												
mm	Min.	0.50	---	---	0.25	3.90	0.70	2.90	0.10	0.55	---	0.00
	Nom.	0.55	0.02	0.15	0.30	4.00	0.80	3.00	0.20	0.60	0.80	---
	Max.	0.60	0.05	---	0.35	4.10	0.90	3.10	0.30	0.65	---	0.08
Inch	Min.	0.020	---	---	0.010	0.154	0.028	0.114	0.004	0.022	---	0.00
	Nom.	0.022	0.001	0.006	0.011	0.158	0.032	0.118	0.008	0.024	0.031	---
	Max.	0.024	0.002	---	0.014	0.161	0.035	0.122	0.012	0.026	---	0.003



**20-4. 16-pin SOP (300mil)**

Doc. Title: Package Outline for SOP 16L (300MIL)

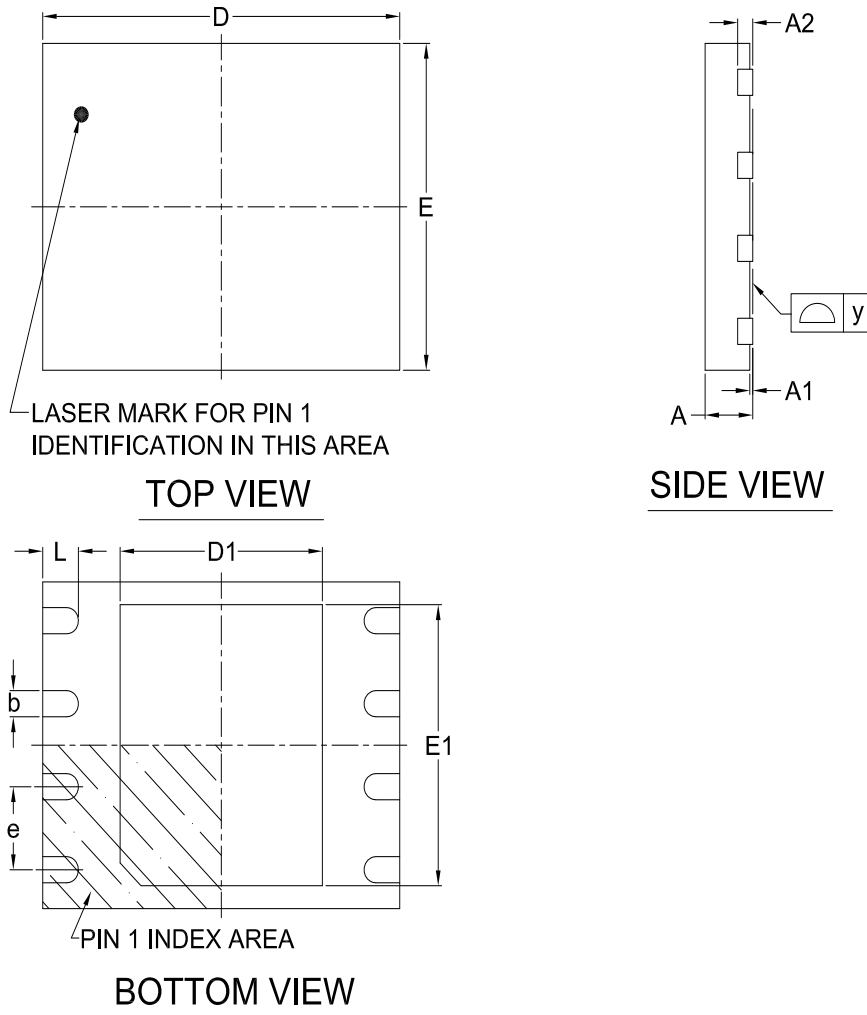


Dimensions (inch dimensions are derived from the original mm dimensions)

SYMBOL		A	A1	A2	b	C	D	E	E1	e	L	L1	S	$\theta$
UNIT														
mm	Min.	--	0.10	2.25	0.31	0.20	10.10	10.10	7.42	--	0.40	1.31	0.51	0°
	Nom.	--	0.20	2.35	0.41	0.25	10.30	10.30	7.52	1.27	0.84	1.44	0.64	5°
	Max.	2.65	0.30	2.45	0.51	0.30	10.50	10.50	7.60	--	1.27	1.57	0.77	8°
Inch	Min.	--	0.004	0.089	0.012	0.008	0.397	0.397	0.292	--	0.016	0.052	0.020	0°
	Nom.	--	0.008	0.093	0.016	0.010	0.405	0.405	0.296	0.050	0.033	0.057	0.025	5°
	Max.	0.104	0.012	0.096	0.020	0.012	0.413	0.413	0.299	--	0.050	0.062	0.030	8°

**20-5. 8-WSON (6x5mm)**

Doc. Title: Package Outline for WSON 8L (6x5x0.8MM, LEAD PITCH 1.27MM)



Note:

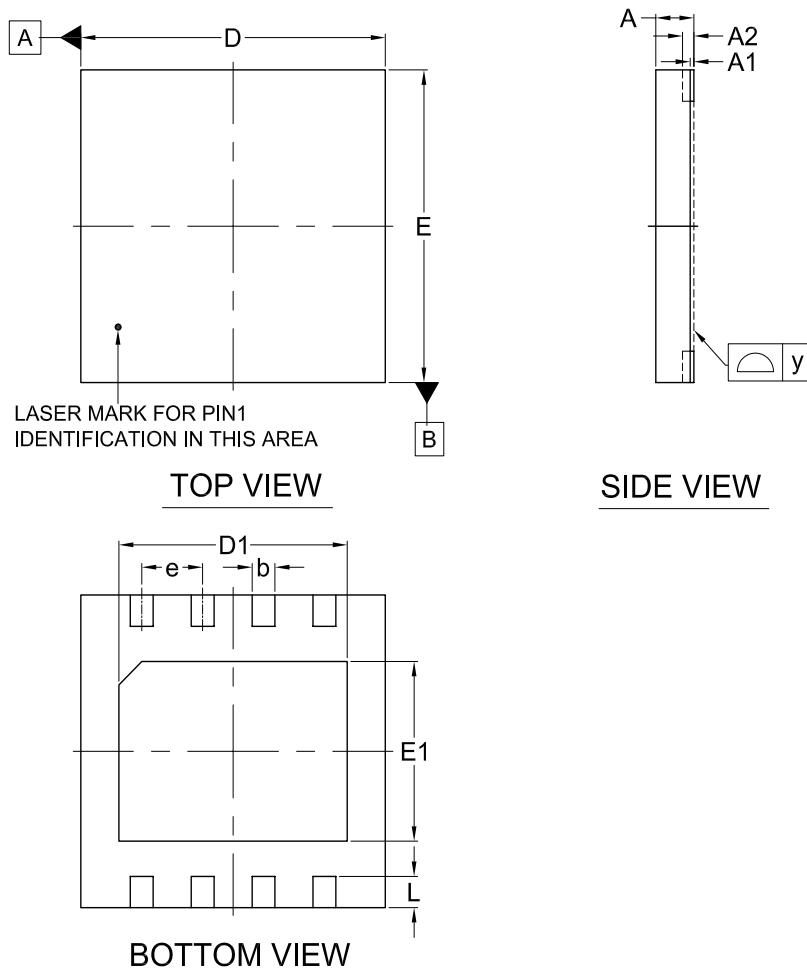
This package has an exposed metal pad underneath the package. It is recommended to leave the metal pad floating or to connect it to the same ground as the GND pin of the package. Do not connect the metal pad to any other voltage or signal line on the PCB. Avoid placing vias or traces underneath the metal pad. Connection of this metal pad to any other voltage or signal line can result in shorts and/or electrical malfunction of the device.

Dimensions (inch dimensions are derived from the original mm dimensions)

SYMBOL		A	A1	A2	b	D	D1	E	E1	L	e	y
UNIT												
mm	Min.	0.70	--	--	0.35	5.90	3.35	4.90	3.95	0.55	--	0.00
	Nom.	--	--	0.20	0.40	6.00	3.40	5.00	4.00	0.60	1.27	--
	Max.	0.80	0.05	--	0.48	6.10	3.45	5.10	4.05	0.65	--	0.05
Inch	Min.	0.028	--	--	0.014	0.232	0.132	0.193	0.156	0.022	--	0.00
	Nom.	--	--	0.008	0.016	0.236	0.134	0.197	0.157	0.024	0.05	--
	Max.	0.032	0.002	--	0.019	0.240	0.136	0.201	0.159	0.026	--	0.002

**20-6. 8-land XSON(4x4mm)**

**Doc. Title: Package Outline for XSON 8L (4x4x0.5MM, LEAD PITCH 0.8MM)**



Note:

This package has an exposed metal pad underneath the package. It is recommended to leave the metal pad floating or to connect it to the same ground as the GND pin of the package. Do not connect the metal pad to any other voltage or signal line on the PCB. Avoid placing vias or traces underneath the metal pad. Connection of this metal pad to any other voltage or signal line can result in shorts and/or electrical malfunction of the device.

Dimensions (inch dimensions are derived from the original mm dimensions)

SYMBOL		A	A1	A2	b	D	D1	E	E1	L	e	y
UNIT												
mm	Min.	0.40	---	---	0.25	3.90	2.90	3.90	2.20	0.35	---	0.00
	Nom.	0.45	0.02	0.15	0.30	4.00	3.00	4.00	2.30	0.40	0.80	---
	Max.	0.50	0.05	---	0.35	4.10	3.10	4.10	2.40	0.45	---	0.08
Inch	Min.	0.016	---	---	0.010	0.154	0.114	0.154	0.087	0.014	---	0.00
	Nom.	0.018	0.001	0.006	0.012	0.157	0.118	0.157	0.091	0.016	0.031	---
	Max.	0.020	0.002	---	0.014	0.161	0.122	0.161	0.094	0.018	---	0.003

## 21. REVISION HISTORY

Revision No.	Description	Page	Date
0.01	1. Added 16-SOP(300mil) package information	P5,7,76,77, P81	OCT/03/2014
	2. Added parameters name for Suspend/Resume	P55,56,68	
	3. Modified input pulse time for Test Waveforms figure	P66	
	4. Modified Notes of AC Characteristics Table	P68-69	
	5. Content Modification	P13,34,57	
	6. Added Release from Deep Power-down (RDP) Sequence.	P49	
	7. Added Read Electronic Manufacturer ID & Device ID (REMS).	P50	
	8. Modified Power-Up/Down Voltage and Timing table	P74	
	9. Added minimum voltage description in SFDP Table	P62	
	10. Modified Package Outline of SOP 16L (300MIL)	P81	
	11. Modified Hold figure and description	P14,15	
1.0	1. Removed "ADVANCED INFORMATION"	All	OCT/23/2014
	2. Added "Advanced Information" for 8-USON and 16-SOP part no.	P76	
	3. Added package 8-WSON (6x5mm) and Part number MX25L3233FZNI-08G (Advanced Information)	P5,P7,76,77,82	
	4. Revised AC value: tRCR (min) = 20us.	P69	
1.1	1. Updated the ordering information of MX25L3233FZBI-08G, MX25L3233FMI-08G, and MX25L3233FZNI-08G.	P77	JAN/05/2015
	2. Modified BLOCK DIAGRAM.	P8	
	3. Updated suspend/resume descriptions.	P55-57	
	4. Modified tCH/tCL formula.	P69	
	5. Modified " <i>10-14. Burst Read</i> " content.	P38	
1.2	1. Removed note 1 of PIN DESCRIPTION	P7	MAR/11/2015
1.3	1. Updated part number list.	P76-77	OCT/11/2016
	2. Added a statement for product ordering information.	P76	
	3. Updated the information of erase/program cycles.	P72	
	4. Content modification.	P1,5,18,24, 33,49,51	
	5. Modified Performance Enhance Mode Reset descriptions.	P36-37	
	6. Modified Deep Power-down (DP) descriptions.	P46	
	7. Updated tVR values.	P72,74	
1.4	1. Updated " <i>19. PART NAME DESCRIPTION</i> ".	P77	OCT/21/2016
1.5	1. Added the note for the internal pull up status of HOLD#/SIO3 and WP#/SIO2	P7	DEC/28/2016
	2. Added " <i>Figure 42. SCLK TIMING DEFINITION</i> "	P66	
1.6	1. Content modification.	P1,16-18 P35,68,74	MAR/10/2017
	2. Modified the descriptions of " <i>10-19. Page Program (PP)</i> ".	P42	
	3. Modified the descriptions of " <i>10-14. Burst Read</i> ".	P37	

Revision No.	Description	Page	Date
1.7	1. Added MX25L3233FZCI-08Q.	P7,76-77,83	FEB/19/2021
	2. Added "Macronix Proprietary" footnote	All	
	3. Added "Support Performance Enhance Mode - XIP (execute-in-place)".	P5,36	
	4. Revised " <a href="#">Figure 13. 2 x I/O Read Mode Sequence (Command BBh)</a> ".	P32	
	5. Modified Burst Read descriptions.	P37	
	6. Corrected Release from Deep Power-down (RDP) descriptions.	P47	
	7. Corrected "Read Electronic Signature (RES) Sequence" figure.	P47	
	8. Description modifications.	P11,13,19, 21,26,29,34, 36,52,54-55, 66,70	
	9. Corrected tCH / tCL descriptions.	P68	
	10. Modified the note description of Max. Erase/Program.	P75	
	11. Revised LATCH-UP testing descriptions	P75	
	12. Format modification.	P78-82	
	13. Revised Doc. Title of package outline.	P79	
	14. Updated " <a href="#">20-5. 8-WSON (6x5mm)</a> " in Min./Max. D1, E1 and L values.	P82	



Except for customized products which have been expressly identified in the applicable agreement, Macronix's products are designed, developed, and/or manufactured for ordinary business, industrial, personal, and/or household applications only, and not for use in any applications which may, directly or indirectly, cause death, personal injury, or severe property damages. In the event Macronix products are used in contradicted to their target usage above, the buyer shall take any and all actions to ensure said Macronix's product qualified for its actual use in accordance with the applicable laws and regulations; and Macronix as well as it's suppliers and/or distributors shall be released from any and all liability arisen therefrom.

Copyright© Macronix International Co., Ltd. 2014-2021. All rights reserved, including the trademarks and tradename thereof, such as Macronix, MXIC, MXIC Logo, MX Logo, Integrated Solutions Provider, Nbit, Macronix NBit, HybridNVM, HybridFlash, HybridXFlash, XtraROM, KH Logo, BE-SONOS, KSMC, Kingtech, MXSMIO, Macronix vEE, RichBook, Rich TV, OctaBus, FitCAM, ArmorFlash, LybraFlash. The names and brands of third party referred thereto (if any) are for identification purposes only.

For the contact and order information, please visit Macronix's Web site at: <http://www.macronix.com>