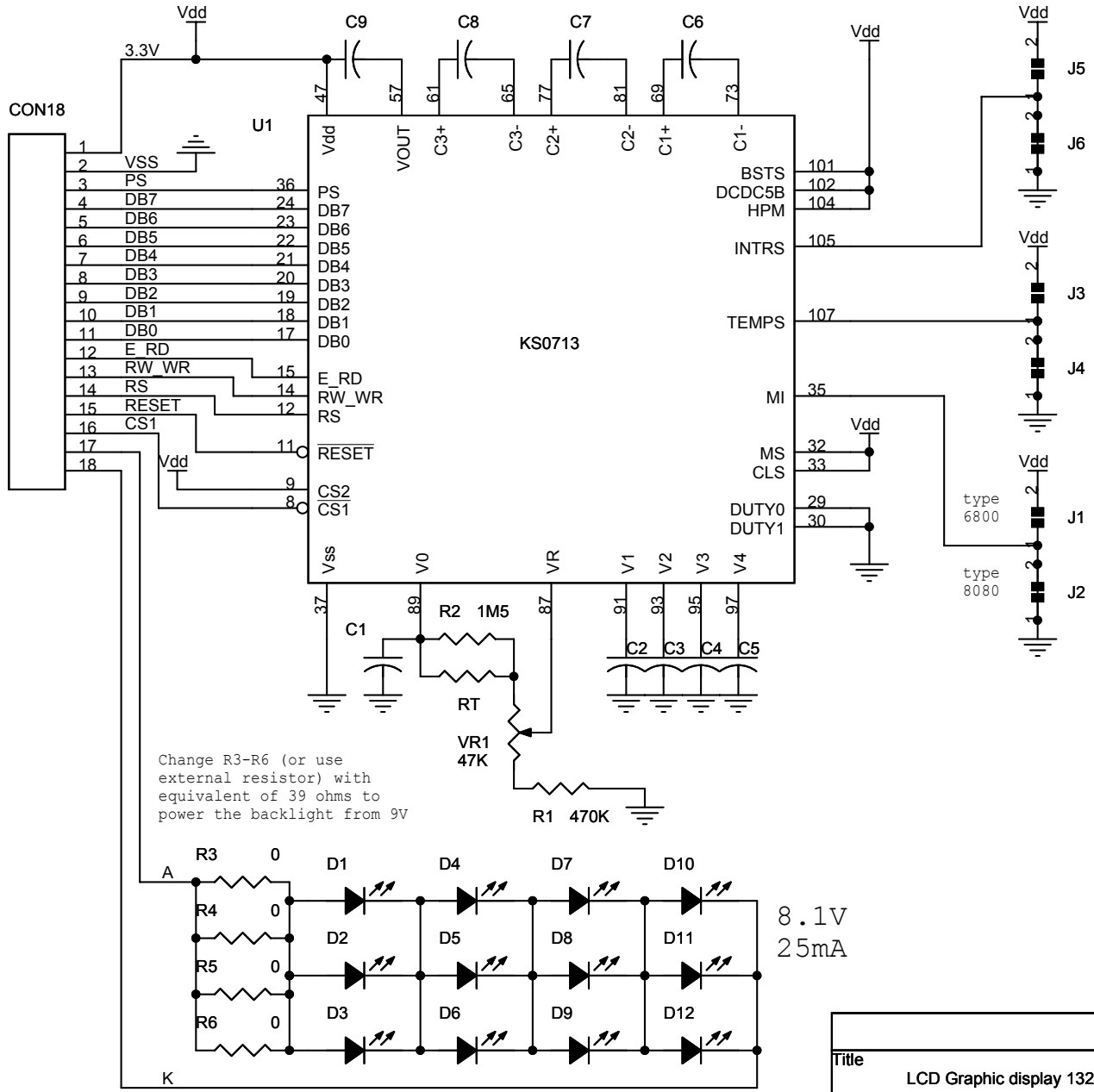


Do not use more than 3.3V
to power the display



Change R3-R6 (or use external resistor) with equivalent of 39 ohms to power the backlight from 9V

8.1V
25mA

Title		
LCD Graphic display 132x32		
Size	Document Number	Rev
A	Zelea	1.0
Date:	Thursday, August 18, 2005	Sheet 1 of 1