



***PK2100***  
C-Programmable Controller

**User's Manual**

Revision 2.0

---

---

## **Z-World, Inc. • PK2100**

User's Manual • Part Number 019-0014-02

Revision 2.0 • 021-0024-02 • Printed in U.S.A.

Last Revised by TI • October 22, 1998

---

## **Copyright**

© 1998 Z-World, Inc. • All rights reserved.

Z-World, Inc. reserves the right to make changes and improvements to its products without providing notice.

---

## **Trademarks**

- Dynamic C™ is a trademark of Z-World, Inc.
  - Windows™ is a trademark of Microsoft Corporation.
- 

## **Notice to Users**

When a system failure may cause serious consequences, protecting life and property against such consequences with a backup system or safety device is essential. The buyer agrees that protection against consequences resulting from system failure is the buyer's responsibility.

This device is not approved for life-support or medical systems.

---

## **Company Address**



### **Z-World**

2900 Spafford Street

Davis, California 95616-6800 U.S.A.

Telephone: (530) 757-3737

Facsimile: (530) 753-5141

24-Hour FaxBack: (530) 753-0618

Web Site: <http://www.zworld.com>

E-Mail: [zworld@zworld.com](mailto:zworld@zworld.com)

---

# CONTENTS

---

<b>About This Manual</b>	<b>vii</b>
<b>PK2100 Overview</b>	<b>1-1</b>
PK2100 Overview .....	1-2
PK2100 Features .....	1-3
PK2110 Features .....	1-3
PK2120 Features .....	1-3
PK2130 Features .....	1-3
Options and Upgrades .....	1-3
Software Development and Evaluation Tools .....	1-4
<b>Getting Started</b>	<b>2-1</b>
Initial PK2100 Setup .....	2-2
Connecting the PK2100 to a Host PC .....	2-3
Establishing Communication .....	2-3
Running a Sample Program .....	2-3
<b>I/O Configurations</b>	<b>3-1</b>
PK2100 Inputs and Outputs .....	3-2
Universal Inputs .....	3-4
Digital Inputs .....	3-6
High-Sensitivity Differential Analog Input .....	3-8
Relay Outputs .....	3-11
Digital Outputs .....	3-12
Analog Output .....	3-13
Communication Interfaces .....	3-14
<b>System Development</b>	<b>4-1</b>
Programming .....	4-2
Gate Programming .....	4-2
Costatements .....	4-2
The Real-Time Kernel .....	4-2
The Five-Key System .....	4-2
Full C-Language Programming .....	4-3

Virtual Driver .....	4-3
Invoking the Virtual Driver .....	4-4
Virtual Driver Services .....	4-4
Virtual Driver Variables .....	4-6
Digital Outputs .....	4-6
Digital Inputs .....	4-6
Universal Inputs .....	4-6
Timers .....	4-7
Downloading Code .....	4-8
Direct Programming of the Serial Ports .....	4-8
Attainable Baud Rates .....	4-9
Z180 Serial Ports .....	4-9

**Software Reference 5-1**

Driver Software .....	5-2
Digital Input .....	5-2
Direct Driver .....	5-2
Virtual Driver .....	5-2
Digital Output .....	5-2
Direct Driver .....	5-2
Indirect Driver .....	5-2
Analog Input .....	5-3
Low-Level Direct Driver .....	5-3
Calibrated Direct Driver .....	5-3
Virtual Driver for Universal Inputs .....	5-4
Analog Output .....	5-5
Direct Driver .....	5-5
Virtual Driver .....	5-6
High-Speed DMA Counter .....	5-6
Battery-Backed Clock .....	5-7
Liquid Crystal Display and Keypad .....	5-8
EEPROM Read/Write .....	5-10
Flash EPROM Write .....	5-10
Communication .....	5-11
RS-232 Communication .....	5-11
Support Libraries and Sample Programs .....	5-12

**Appendix A: Troubleshooting A-1**

Out of the Box .....	A-2
Dynamic C Will Not Start .....	A-3
Dynamic C Loses Serial Link .....	A-3
PK2100 Resets Repeatedly .....	A-3
Common Programming Errors .....	A-4

<b>Appendix B: Specifications</b>	<b>B-1</b>
Hardware Dimensions .....	B-2
Jumper and Header Specifications .....	B-4
Connectors .....	B-7
Environmental Temperature Constraints .....	B-7
<b>Appendix C: Power Management</b>	<b>C-1</b>
Power Failure Interrupts .....	C-2
Heat Sinking .....	C-3
<b>Appendix D: I/O Map and Interrupt Vectors</b>	<b>D-1</b>
I/O Map .....	D-2
Interrupt Vectors .....	D-6
Jump Vectors .....	D-7
Interrupt Priorities .....	D-8
<b>Appendix E: EEPROM</b>	<b>E-1</b>
PK2100/PK2120 24-V Version Calibration .....	E-2
PK2110/PK2130 12-V Version Calibration .....	E-4
Field Calibration .....	E-4
<b>Appendix F: PLCBus</b>	<b>F-1</b>
PLCBus Overview .....	F-2
Allocation of Devices on the Bus .....	F-6
4-Bit Devices .....	F-6
8-Bit Devices .....	F-7
Expansion Bus Software .....	F-7
<b>Appendix G: Battery</b>	<b>G-1</b>
Storage Conditions and Shelf Life .....	G-2
Instructions for Replacing the Lithium Battery .....	G-2
Battery Cautions .....	G-3

## Board Layout

## Index



# ABOUT THIS MANUAL

---

This manual provides instructions for installing, testing, configuring, and interconnecting the Z-World PK2100 controller. Instructions are also provided for using Dynamic C™ functions.

Instructions to get started using Dynamic C software programming functions as well as complete C and Dynamic C references and programming resources are referenced when necessary.

## Assumptions

Assumptions are made regarding the user's knowledge and experience in the following areas:

- Ability to design and engineer the target system that a PK2100 will control.
- Understanding of the basics of operating a software program and editing files under Windows on a PC.
- Knowledge of the basics of C programming.



For a full treatment of C, refer to the following texts:

***The C Programming Language*** by Kernighan and Ritchie (published by Prentice-Hall).

and/or

***C: A Reference Manual*** by Harbison and Steel (published by Prentice-Hall).

- Knowledge of basic Z80 assembly language and architecture.



For documentation from Zilog, refer to any of the following texts:

***Z180 MPU User's Manual***

***Z180 Serial Communication Controllers***

***Z80 Microprocessor Family User's Manual***

# Terms and Abbreviations

Table 1 lists and defines terms and abbreviations that may be used in this manual.

**Table 1. Terms and Abbreviations**

Term / Abbreviation	Description
PIO	Programmable Input / Output Integrated Circuit
RAM	Random Access Memory
RTC	Real-Time Clock
SIB	Serial Interface Board
SRAM	Static Random Access Memory
NMI	Non-Maskable Interrupt

## Conventions

Table 2 lists and defines typographical conventions that may be used in this manual.

**Table 2. Term and Abbreviation Conventions**

Example	Description
<b>while</b>	Courier font (bold) indicates a program, a fragment of a program, or a Dynamic C keyword or phrase.
// IN-01...	Program comments are written in Courier font, plain face.
<i>Italics</i>	Indicates that something should be typed instead of the italicized words (e.g., in place of <i>filename</i> , type a file's name).
<b>Edit</b>	Sans serif font (bold) signifies a menu or menu selection.
...	An ellipsis indicates that (1) irrelevant program text is omitted for brevity or that (2) preceding program text may be repeated indefinitely.
[ ]	Brackets in a C function's definition or program segment indicate that the enclosed directive is optional.

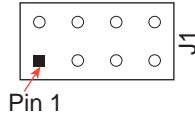
- **byte**

To emphasize that certain functions must operate on 8-bit bytes, the term **byte** is used as a type specifier. **Byte** is actually a type character, not a standard C keyword. Parameters defined by **byte** are not standard C characters, they are 8-bit bytes. This function does not work in an application unless first declared with **typedef** or **#define**.



• **Pin Number 1**






A black square indicates pin 1 of all headers and jumpers.



**Icons**

Table 3 displays and defines icons that may be used in this manual.

**Table 3. Icons**

Icon	Meaning
	Refer to or see
	Please contact
	Caution
	Note
<b>Tip</b>	Tip
	Factory Default



For ordering information, call your Z-World Sales Representative at (530) 757-3737.





## ***PK2100 OVERVIEW***

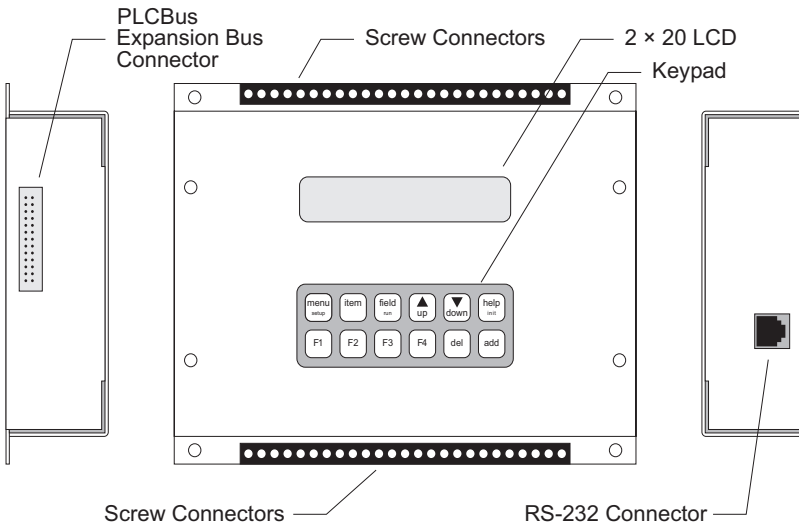
---

Chapter 1 provides an overview and brief description of the PK2100 C-Programmable controller features, options, and upgrades.

# PK2100 Overview

The PK2100 series is Z-World's most comprehensive controller that connects directly to many sensors and peripheral devices without needing intermediate signal conditioning. A typical application for the PK2100 is the control of medium-scale production equipment, such as packaging machinery, special-purpose machine tools, or material processing systems. The PK2100 can be used to detect contact closures, count pulses, and measure analog values such as temperature or pressure.

The PK2100 has two built-in relays and it can directly drive 10 external relays or solenoids. There is an analog output capability, including the 4- to 20-mA loop output standard in the control industry. The PK2100 has an optional built-in keypad and liquid-crystal display (LCD). There is a PLCBus expansion bus connector that allows external expansion of the input/output capabilities or the addition of interface devices designed by the user. The PK2100 has serial communication capability suitable for communicating with other controllers one at a time or in a plant-wide network. It supports both RS-232 and RS-485/RS-422 serial communication modes.



**Figure 1-1. PK2100 C-Programmable Controller**

## ***PK2100 Features***

- Seven fixed digital inputs
- Six “universal” inputs
- One high-gain differential analog input
- Ten high-current outputs capable of driving inductive loads such as solenoids and relays
- Two SPDT relays
- Two analog outputs
- 2 x 20-character LCD screen (backlighting display available) and 2 x 6 keypad
- PLCBus port
- One RS-232 port and one RS-232 or RS-485/RS-422 port
- Rugged enclosure
- Battery-backed RAM up to 512 kbytes
- EPROM up to 512 kbytes for holding program and data
- Optional flash EPROM to replace standard EPROM
- Battery-backed time/date clock
- Lithium button battery, which lasts about 10 years in normal use, to provide power for the time/date clock and the battery-backed memory when no external power is supplied to the unit; option for nickel-cadmium battery or a super capacitor for battery backup
- Watchdog timer
- Power failure warning interrupt
- EEPROM, standard 512 bytes, to hold factory-set calibration constants and user configuration data of a more permanent nature than data held in the battery-backed RAM

## ***PK2110 Features***

The PK2110 is a 12-volt version of the PK2100.

## ***PK2120 Features***

The PK2120 is a PK2100 without the enclosure, the keypad or the LCD.

## ***PK2130 Features***

The PK2130 is a 12-volt version of the PK2120.

## ***Options and Upgrades***

- 9.216-MHz clock upgrade can be factory installed.
- 128-kbyte flash EPROM can be factory installed.
- 128-kbyte or 512-kbyte SRAM can be factory installed.
- Backlit-character LCD is available for the PK2100 and the PK2110.



Appendix B provides detailed specifications for the PK2100.

## Software Development and Evaluation Tools

Dynamic C, Z-World's Windows-based real-time C language development system, is used to develop software for the PK2100. The host PC downloads the executable code through the PK2100's RS-232 port to one of the following places:

- battery-backed RAM,
- ROM written on a separate ROM programmer and then substituted for the standard Z-World ROM, or
- optional flash EPROM, which may be programmed or reprogrammed without removing it from the controller.

This allows fast in-target development and debugging.

A PK2100 Development Kit contains the manual, schematics, programming cable, power supply, 128-kbyte flash EPROM and a demonstration board to simulate input/output.



Z-World's Dynamic C reference manuals provide complete software descriptions and programming instructions.



## ***GETTING STARTED***

---

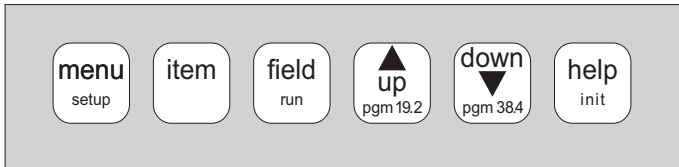
Chapter 2 provides instructions for connecting the PK2100 to a host PC and running a sample program.

# Initial PK2100 Setup

When the PK2100 powers up, it reads its board jumpers, the keypad, if any, and the contents of the EEPROM to determine its mode of operation. The following modes of operation are available:

1. Run a program stored in battery-backed RAM.
2. Program at 19.2 kbaud using the RS-232 port.
3. Program at 38.4 kbaud using the RS-232 port.

The keypad (Figure 2-1) may be used to set the mode. Hold down the MENU/setup key and one other key (FIELD/run, UP/pgm 19.2, or DOWN/pgm 38.4) simultaneously. The unit will beep to acknowledge the change of operating mode.

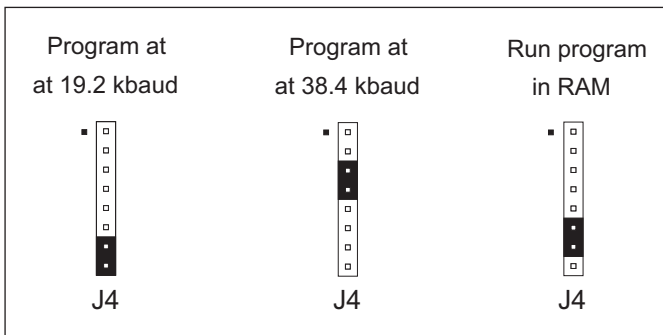


**Figure 2-1. PK2100 Keypad**



The watchdog timer must be enabled when the keypad is used to set the mode.

A jumper installed on jumper block J4 overrides any keypad settings. The jumper block must be used when a keypad is not available, for example, in the PK2120 controller. Figure 2-2 illustrates the jumper configurations.



**Figure 2-2. PK2100 Jumper Configurations for Programming**



## Connecting the PK2100 to a Host PC

1. Make sure the PK2100 power source is not connected.
2. Connect the PK2100 to the host PC's RS-232 serial COM port. A 9-pin to RS-232 "phone plug" adapter is included with the developer's kit.
3. Connect the red-tagged lead from the 24-volt (or 12-volt) power supply to the +24-volt screw connector. Connect the other power supply lead to the GND screw connector.
4. Plug the power supply into a wall socket.



The North American version of the PK2100 developer's kit comes with a 24-volt D.C. power supply. International users and users of PK2110/PK2130 controllers, which are designed for 12 volts, must provide an appropriate power supply.

The PK2100 is now ready to be programmed.

## Establishing Communication

Communication between the PC and the PK2100 becomes possible once the hardware is connected and the Dynamic C software has been installed. Double-click the Dynamic C icon to start the software. Note that the PC attempts to communicate with the PK2100 each time Dynamic C is started. No error messages are displayed once communication is established.



See Appendix A, Troubleshooting, if an error message such as **Target Not Responding** or **Communication Error** appears.



Once the necessary changes have been made to establish communication between the host PC and the PK2100, use the Dynamic C short-cut **Ctrl Y** to reset the controller and initiate communication.

## Running a Sample Program

1. Open a sample program located in Dynamic C subdirectory.  
**SAMPLES\CPLC.**



See Appendix A, Troubleshooting, if an error message such as **Target Not Responding** or **Communication Error** appears.

2. Compile the program by pressing **F3** or by choosing **Compile** from the Compile menu. Dynamic C compiles and downloads the program into the PK2100's flash memory.
3. Run the program by pressing **F9** or by choosing **Run** from the **Run** menu.
4. Press **Ctrl Z** to stop execution of the program.
5. If needed, press **F9** to restart execution of the program.



## ***I/O CONFIGURATIONS***

---

Chapter 3 discusses how to configure the available inputs/outputs in the PK2100 controller.

# PK2100 Inputs and Outputs

The PK2100 provides these types of inputs/outputs:

- “Universal” analog inputs.
- Protected digital inputs.
- High-gain differential analog input.
- SPDT relays.
- High-current driver outputs capable of driving inductive loads such as solenoids and relays.
- Analog outputs.
- 2 × 20-character LCD screen (backlighted display available) and 2 × 6 keypad.
- Serial communication channels: PLCBus port, RS-232 port, and RS-232 or RS-485/RS-422 port.

Figure 3-1 shows the signal names of the PK2100’s screw connectors. The chapter describes the various interfaces and presents some typical applications. There are 50 screw terminals used for input, output, and power connections. In addition, there are two connectors on the sides of the unit: a modular “phone jack” connector for the RS-232 port, and a 26-pin connector for the PLCBus expansion port.

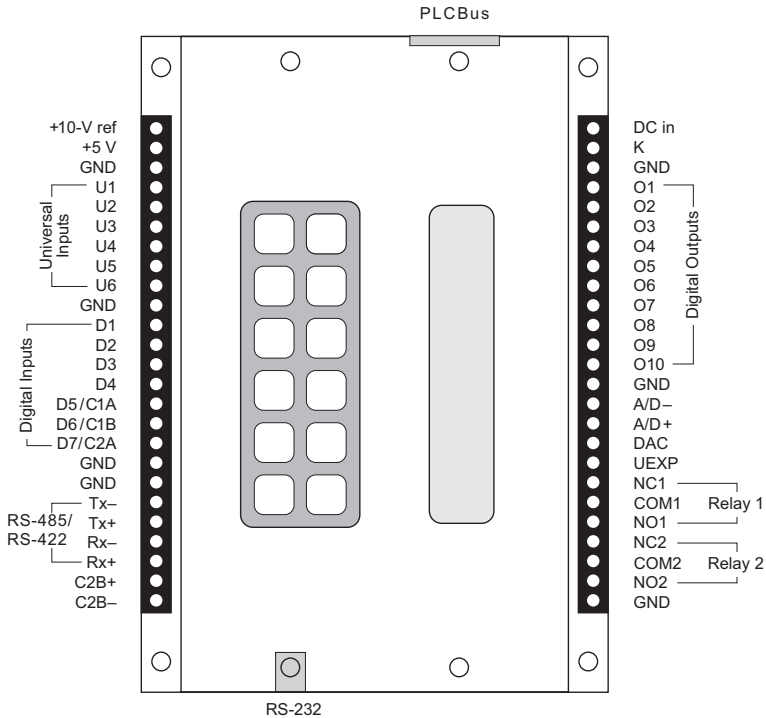
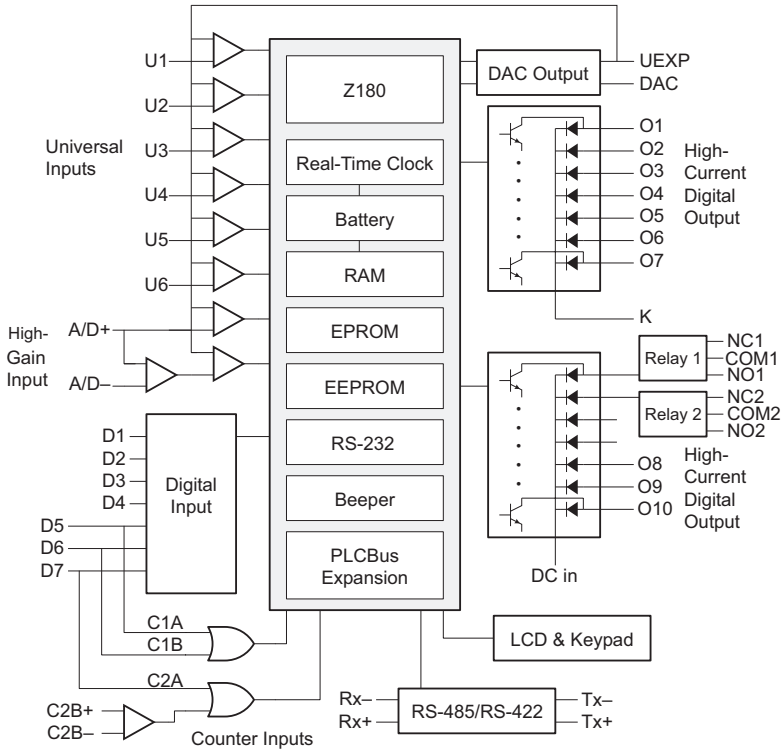


Figure 3-1. PK2100 Pin Layout

The connector labeled “+10-V ref” is nominally 7 volts for the PK2110/PK2130 12-volt versions of the PK2100. The connector labeled “DC in” is 12 or 24 volts, depending on the specific PK2100 model.

Figure 3-2 shows a PK2100 block diagram. The PK2100’s board layout and schematic are included in this manual.



**Figure 3-2. PK2100 Block Diagram**

The PK2100 has the following input/output interfaces:

1. Six universal inputs that may be used as analog inputs (to measure voltage, current, or resistance) or as digital inputs (to measure a voltage compared to a specific threshold voltage or to software-specifiable high and low thresholds). The universal inputs accept 0–10 volts with 10-bit resolution.
2. Seven digital inputs with a 2.5-volt threshold. Three of the inputs are dual-purpose—they function either as general-purpose digital inputs or as counter inputs. When serving as counter inputs, the three inputs provide two counter inputs capable of counting pulses at 100 kHz or more. The counter inputs can also be used to measure pulse widths and other pulse timing characteristics.

- 3 One high-sensitivity differential analog input. Normally, the high-sensitivity range is 0–1 volts, but the input gain can be changed by installing different input resistors on the operational amplifier. When the positive side of the differential input is more than 1 volt, its voltage can be measured by the universal input with which it is coupled. This input is suitable for connection to resistance bridges.
- 4 Two relay-contact outputs (NO, NC, COM for each relay). The relays are rated for 3 amps at 48 volts. Contact-protection devices may be installed.
- 5 Ten high-current outputs suitable for driving relays, stepping motors, or solenoids. These outputs can sink approximately 300 milliamps each at up to 48 volts, subject to total heat dissipation restrictions for the integrated-circuit driver.
- 6 One analog output (DAC), which may be a voltage output (0–10 volts for PK2100/PK2120 and 0–7 volts for PK2110/PK2130) or a current output (0–20 mA for PK2100/PK2120 and 0–15 mA for PK2110/PK2130). A second analog voltage output (UEXP) is available when the universal inputs are used as fixed-threshold digital inputs.
- 7 Communication interfaces including a full-duplex RS-422/RS-485 serial port that can operate asynchronously at up to 38,400 baud, and an RS-232 serial port with two handshaking lines that can operate at up to 38,400 baud. A second RS-232 port can be configured as a substitute for the RS-422/RS-485 port by changing board jumpers, but it will have no handshaking lines. There is also a 26-pin connector to Z-World's PLCBus expansion bus for customer-designed devices or Z-World PLCBus expansion devices.

## **Universal Inputs**

The “universal” interface comprises six analog inputs (U1–U6) with a measurement range of 0–10 volts (0–7 volts for PK2110/PK2130). An additional universal input channel (A/D+) is available when it is not in use as part of the high-gain input.

A universal input may be read either as an analog input (by taking an analog reading) or as a digital input by comparing the voltage at the input with a threshold. Software provided by Z-World can be used to compare the input voltage to a single fixed threshold or to two software-specified thresholds.

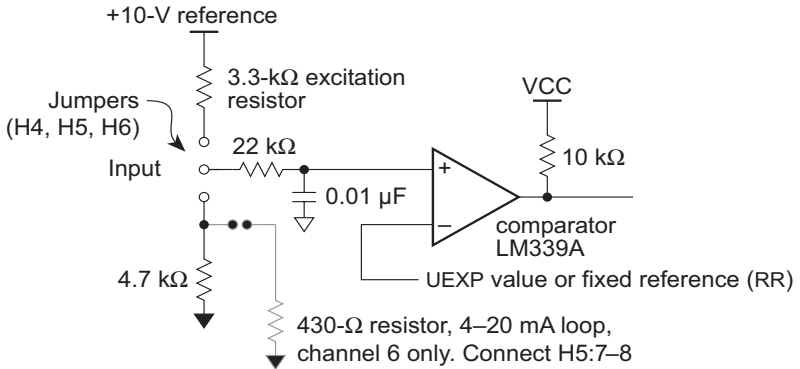
*Single Threshold.* A digital “1” results when the voltage is above the threshold. Otherwise a digital “0” results.

*Dual Threshold.* A digital “1” results when the voltage is above the high threshold. A digital “0” results when the voltage is below the low threshold. Otherwise, the software reports no change. Z-World's virtual driver

software (see Chapter 4, *System Development*) provides the two thresholds.

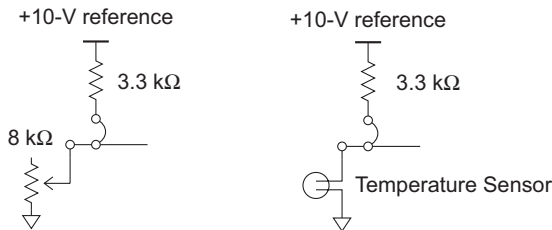
The universal inputs are protected against overloads between -48 and +48 volts. The analog resolution is 10 bits, providing approximately 1024 steps over the range 0–10 volts (0–7 volts for PK2110/PK2130). Its sensitivity is about 10 millivolts per step.

Figure 3-3 shows a schematic of a single universal input channel.



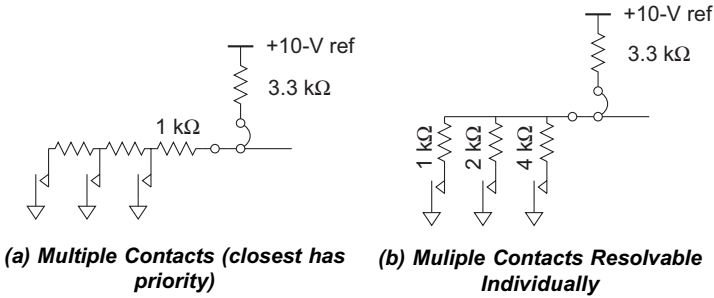
**Figure 3-3. Universal Input Channel**

Each input uses a comparator driven by the signal and by an internal DAC to measure the input voltage. The input resistor and capacitor filter out high-frequency noise and provide protection against overloads. Clamp diodes in the LM339A provide additional protection against overload. The input has a high D.C. impedance unless one of the jumpers is connected. If the excitation resistor is connected, the circuit provides an excitation voltage or current to an external device. This is convenient for measuring an external resistance such as a potentiometer or a temperature sensor (Figure 3-4).



**Figure 3-4. Measuring Variable External Resistance**

Multiple contacts may be connected with external resistors to a single universal input (Figure 3-5).

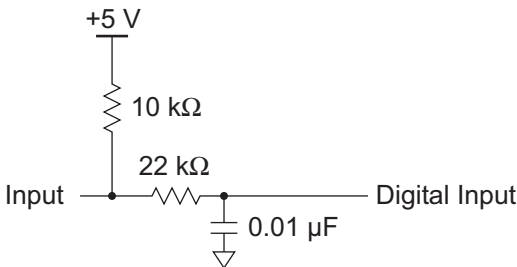


**Figure 3-5. Use of External Resistors to Connect Multiple Contacts to Single Universal Input**

## Digital Inputs

The seven digital inputs accept an input voltage with a digital threshold at approximately 2.5 volts. The inputs are protected against overload over a range from -48 to +48 volts. These inputs are convenient for detecting contact closures or sensing devices with open collector transistor outputs. Logic-level outputs can also be detected as long as they are supplied from CMOS logic outputs guaranteed to swing to at least 3.5 volts. Three of the digital inputs are shared as inputs to the high-speed counters.

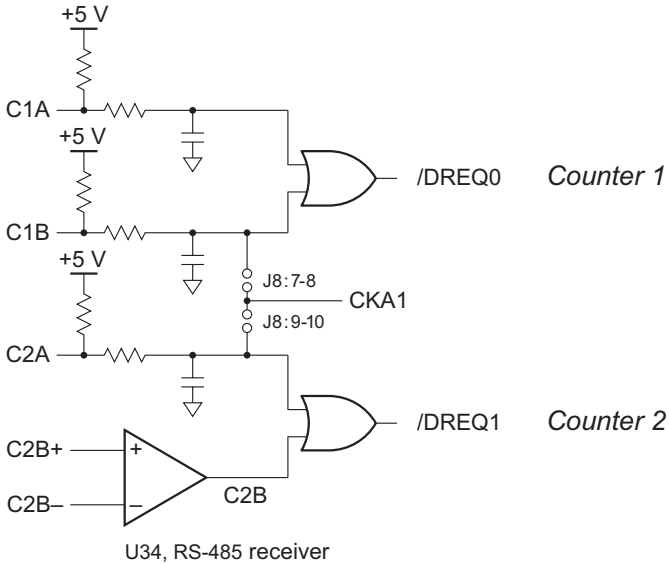
Figure 3-6 shows a digital input. The RC circuit helps to stabilize the input, but note the 0.2-millisecond RC time constant, which affects signals faster than 5 kHz. While it may be tempting to disable the capacitor with a jumper, this is not recommended because the signal may be degraded.



**Figure 3-6. PK2100 Digital Input**



Three of the digital inputs also serve as counter inputs. In addition, there is a special differential counter input. The counter inputs are arranged as shown in Figure 3-7.



**Figure 3-7. Digital Inputs Used As Counter Inputs**

The counters count on a negative-going edge. Each counter has two inputs, which are symmetrical in that one can be used as a gate and the other can be used as a count input.

The RS-485 receiver input can be used as a digital input by attaching one side of it to the desired threshold voltage. This input can be used as a true differential input for such devices as inductive pickups. It has a common-mode voltage range from -12 to +12 volts with an input hysteresis of 50 millivolts.

An internal jumper can connect the signal from input/output processor CKA1, which is controlled by the second (RS-485) serial port's hardware. CKA1 can be set to count pulses at 100 kHz or more down to a few hundred hertz.

The counters are implemented by using the DMA channels of the Z180 microprocessor. The maximum count speed is more than 100 kHz. The DMA channel can be programmed to store a byte from an input/output port to memory for each count, if desired. This byte can be the least significant byte of the internal programmable counter (PRT), which allows the count edge to be localized in time. This feature can also determine the

exact time, within a few microseconds, at which an event occurs by programming the DMA channel to store one byte and then interrupt the count. The interrupt routine can read the most significant part of the PRT counter and any software extension of this counter. In general, the maximum count is 65,536, which can be extended by software to larger counts if the counting speed is not higher than about 10 kHz.

The capabilities of the counters are summarized below.

- Counters measure the time at which a negative edge occurs with a precision of a few microseconds. The measurement can be repeated hundreds of times per second. A minimum time must occur between successive events to allow for interrupt processing.
- Counters measure the width of a pulse by counting (up to 65,536) at a rate from more than 100 kHz to 300 Hz. This provides 16-bit accuracy in the measurement of pulse widths.
- Counters count negative-going edges for up to two channels. The maximum count for high-speed counting (5 kHz to more than 100 kHz) is 65,536. The maximum count for low-speed counting is unlimited.

### High-Sensitivity Differential Analog Input

One high-sensitivity analog input is available. This input has a differential input with a gain of 10 compared to the universal input. This input is useful for devices requiring higher input sensitivity, for example, thermistors or RTDs in a bridge. Although the high-sensitivity input has 10 times the gain and accuracy, the dynamic range is necessarily 10 times less, since the number voltage steps available from the conversion (1024) does not change. Figure 3-8 shows the high-sensitivity input circuit.

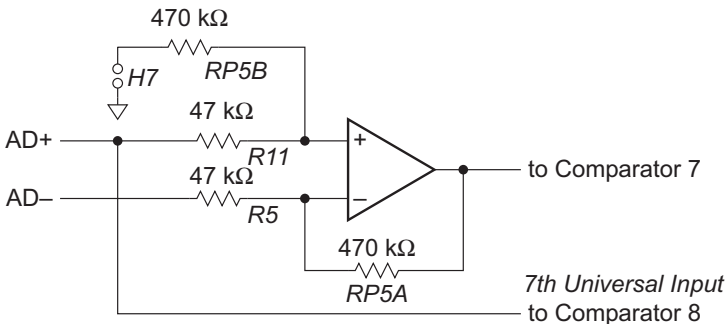
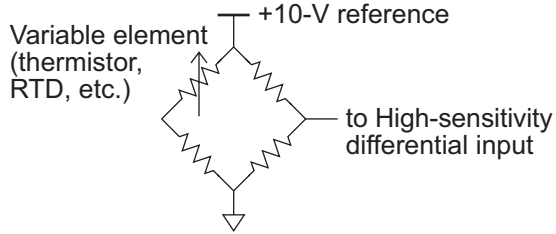


Figure 3-8. High-Sensitivity Differential Analog Input

The gain at the plus and minus inputs is 10 when jumper H7 is installed. The gain of the plus input becomes higher (11) when H7 is removed. This has the effect of skewing the output from a nulled bridge circuit to the middle of the measurement range. Such a bridge circuit is shown in Figure 3-9 below. When the bridge is nulled, both inputs are equal to 5 volts. The output voltage of the input amplifier with H7 removed is  $5 \times (11 - 10) = 5$  volts. This is in the middle of the 10-volt measurement range of



**Figure 3-9. Nulled Bridge Circuit for Measuring High-Sensitivity Differential Analog Input**

0–10 volts.

The bridge makes it possible to detect changes of  $\pm 0.04$  percent in the value of the variable-resistor element when the gain is 10. A change of only  $\pm 0.2$  percent can be detected without a bridge.

$$g = 10 = \frac{R5 + RP5A}{R5} \times \frac{RP5B}{RP5B + R11} \quad \text{Jumper H7 installed}$$

The gain for the negative input, AD–, is given by  $RP5A/R5$ . The gain for

$$g = 11 = \frac{R5 + RP5A}{R5} \times (1) \quad \text{Jumper H7 not installed}$$

the positive input, AD+, is given by:

or

The calibration gain and offsets are stored in the EEPROM (see Appendix E).

The output voltage,  $y$ , is given by

$$y = a_1 \times (x_1 + a_0) - b_1 \times x_2$$

where

$x_1$  and  $x_2$  are the positive and negative inputs, respectively,

$a_1$  is the positive-side gain,

$a_0$  is the positive-side offset, and

$b_1$  is the negative-side gain.

---

**NOTE**  $b_1$  is also equal to the calibrated value of  $a_1$  (with jumper H7 not connected) minus 1, that is,  $b_1 = a_1 - 1$ .

If the negative input  $x_2$  is tied to ground, the equation becomes

$$y = a_1 \times (x_1 + a_0)$$

or, solving for  $x_1$ ,

$$x_1 = \frac{y}{a_1} - a_0 .$$

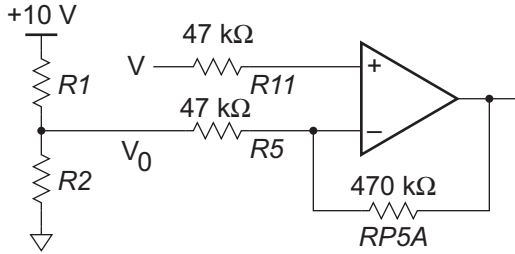
This equation returns the input voltage, given the output. The function **up\_higain(1)** returns this value (with Jumper H7 removed). If the output of the operational amplifier is out of range ( $x_1$  input above 1 volt,  $y$  output above 10 volts), the value of a direct measurement of  $x_1$  is returned. This is less accurate by a factor equal to the gain ratio. Solving this equation for  $(x_1 - x_2)$  in terms of  $y$  and  $x_1$  yields

$$(x_1 - x_2) = \frac{y}{b_1} - \left( \frac{a_1}{b_1} - 1 \right) \times x_1 - a_0 \times \frac{a_1}{b_1} .$$

The function **up\_higain(2)** returns this value (with Jumper H7 removed). This is the difference between inputs  $x_1$  and  $x_2$  in terms of  $y$  and  $x_1$ , both of which can be measured directly. The accuracy with which the difference voltage is measured is approximately 10 times greater than for the regular universal input channels: 1 millivolt instead of 10 millivolts.

Change resistor R5, and possibly R11, to change the gain of the high-gain input. These 47-k $\Omega$  resistors are factory-installed for a gain of 10 (or 11 if Jumper H7 is removed). A smaller resistor will increase the gain. For example, changing both the R5 and R11 resistors to 10 k $\Omega$  will increase the gain to 47 (or 48 with Jumper H7 removed). When differential inputs are desired, it is preferable to operate with H7 removed since the gain difference between the positive and negative inputs will be exactly 1 and will not depend on a balance between resistors, making the output 5 volts when both differential inputs are 5 volts. As the gain is increased, it becomes necessary to use an operational amplifier with a more stable offset voltage than the LM324, which has considerable drift over temperature. The Linear Technology LM1014 is suitable for gains up to 100 or more. The negative input has a low input impedance compared to the positive input when H7 is removed. If R5 is decreased to increase the gain, this impedance becomes even lower. When a bridge is used, the finite impedance of the negative input will change the gain slightly.

The gain for a bridge such as



would be

$$g = g_0 \times \left( 1 - \left( \frac{1}{1 + \frac{R5}{R2} + \frac{R5}{R1}} \right) \right)$$

The change in gain for the input  $(V - V_0)$  is given by the above formula. If R5 is 47 kΩ and R1 and R2 are each 350 Ω, then the gain is reduced by the factor

$$1 - \left( \frac{1}{1 + \frac{47,000}{350} + \frac{47,000}{350}} \right) = 0.9962$$

or about 4 parts in 1000.

### Relay Outputs

The PK2100 has two relays. Each relay (Figure 3-10) is single pole, double throw. The rated current is 3 A and the rated voltage is 48 V. Optional metal-oxide varistors (MOV) may be installed on the board to protect the contacts. When the voltage across the contact exceeds the trigger voltage of the MOV, the MOV acts as a short circuit, preventing or minimizing sparking and arcing.

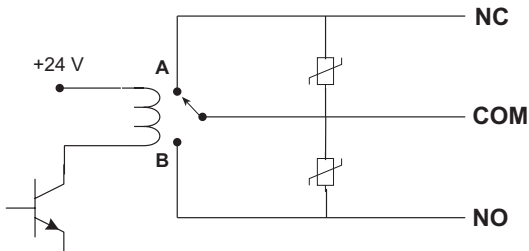


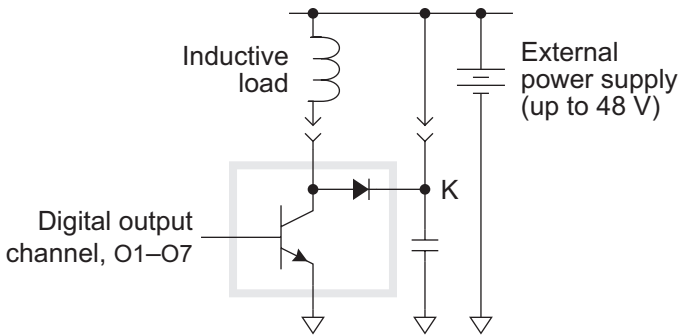
Figure 3-10. PK2100 Relay

The relay output signals are routed through the U35 high-current driver chip.

### Digital Outputs

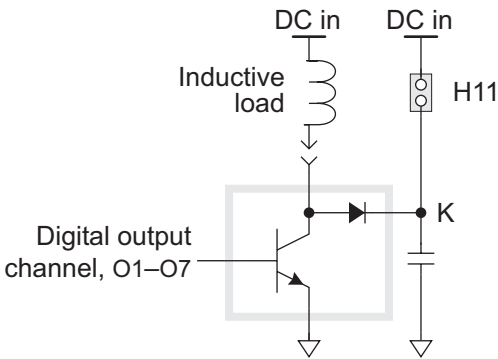
The PK2100 has 10 digital outputs (O1–O10). Seven of the outputs belong to one high-current driver chip (U26) and three belong to another chip (U35). These outputs can drive inductive loads such as relays, small solenoids, and stepping motors.

Outputs O1–O7 on U26 use a common bus (“K”) for the protective diodes. Thus, it is possible to use a power supply for these outputs other than the power supply for the PK2100. All loads connected to the same group of drivers must use the same power supply so the diodes can return inductive spikes to the same power supply. Refer to Figure 3-11.



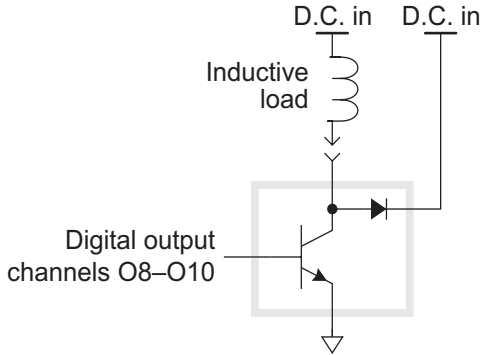
**Figure 3-11. Routing External Power Supply for PK2100 Digital Outputs**

If the PK2100’s power supply (DC in, 12 or 24 volts) is used, route K to the power supply by connecting jumper H11. Refer to Figure 3-12.



**Figure 3-12. Routing PK2100 Internal Power Supply for Digital Outputs**

The diodes on U35 for outputs O8–O10 use the PK2100’s power supply directly.



**Figure 3-13. Routing PK2100 Power Supply for Digital Outputs O8–O10**

The drivers used are the Motorola MC1413B or the equivalent Texas Instruments ULN2003. One drives outputs O1–O7, and the other drives outputs O8–O10, the onboard relays and the beeper. Each driver chip can dissipate a maximum of 1.25 watts when the ambient temperature is 60°C. Each output consumes power, depending on the current, as follows.

100 mA	0.10 W
200 mA	0.25 W
350 mA	0.50 W

This limits the maximum current to approximately 150 milliamps per output if all outputs are turned on at the same time for a 100 percent duty cycle. The maximum current for any single output is 500 milliamps.

### **Analog Output**

One analog output (DAC) is provided. With Pins 2-3 on Jumper J7 connected, the output can be a voltage (0–10 volts for PK2100/PK2120 and 0–7 volts for PK2110/PK2130); connecting Pins 1-2 on Jumper J7 turns the output into a current output suitable for driving current loops at 4–20 mA. The analog output will drive 20 milliamps (15 milliamps for PK2110/PK2130) up to 470  $\Omega$  with a resolution of 10 bits.

Another 10-bit analog output channel (UEXP) is available if it is not being used to support the universal inputs.

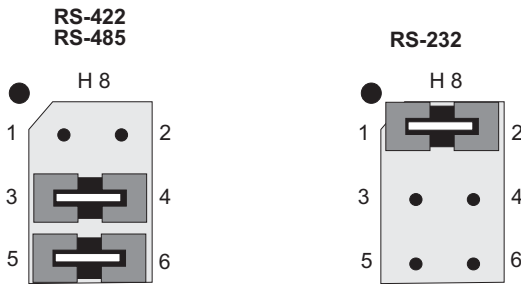
### **Communication Interfaces**

The PK2100 comes with a full-duplex RS-422/RS-485 serial port that can operate asynchronously at up to 38,400 baud (57,600 with the optional 9.216-MHz clock upgrade). An RS-232 serial port with two handshaking

lines can also operate at up to 38,400 baud (57,600 with the optional 9.216-MHz clock upgrade).

A second RS-232 port can be configured as a substitute for the RS-422/RS-485 port by changing board jumpers, but it will have no handshaking lines. Pins 3-4 and 5-6 on Header 8 are connected to enable RS-422/RS-485 communications. Remove these jumpers and connect Pins 1-2 on Header 8 to enable the second RS-232 output. The RS-232 output pin will be TX-, and the input will be RX-. RX+ must be tied to ground. The jumper arrangements are shown in Figure 3-14.

The PK2100 has a 26-pin connection to allow access to Z-World's PLCBus expansion bus for customer-designed devices or Z-World's PLCBus expansion devices.



**Figure 3-14. H8 Jumper Configurations**





## ***SYSTEM DEVELOPMENT***

---

Chapter 4 describes the programming support for the PK2100.

# Programming

Z-world supports program development for the PK2100 in a variety of ways. Support for some of these stems from a virtual driver, which monitors the PK2100's ports and provides a set of "virtual" latches, timers, counters, function keys and two DAC analog outputs.

## Gate Programming

Gate programming is a quick and easy way to program the PK2100's inputs and outputs. The logic elements are summarized in Table 4-1.

*Table 4-1. Gate Programming Logic Elements*

External	Internal
Seven digital inputs	Thirty memory latches
Six universal inputs	Ten on-delay timers
Ten digital outputs	Five countdown counters
Two relay outputs	Four special function keys
	Discrete digital-to-analog outputs

An operator updates the parameters supported by these logic elements using the five-key system. Gate programs can be downloaded or uploaded serially through the RS-232 connection to a PC.



Gate programming is not C programming. It is done with an application program, written in C, that modifies the parameters of the virtual driver.

Support functions for gate programming may be found in the subdirectory **LIBRARY\GATE\_P.LIB**. The programs **SCAN.C** and **GATER.C** in **SAMPLES\CPLC** are examples of gate programming.

## Costatements

Costatements, formerly called function blocks, implement cooperative multitasking, and use the virtual driver.

## The Real-Time Kernel

The real-time kernel allows a preemptive multitasking system to be developed.

## The Five-Key System

The five-key system implements a user interface to the software using the PK2100's keypad and liquid crystal display.

## ***Full C-Language Programming***

Full C-language programming may access all the features available in Dynamic C and its libraries. Gate programming and costatements use Z-World's virtual driver. Full Dynamic C programming, of course, may include any method or combinations of methods.

### **Virtual Driver**

The virtual driver is a software package activated by a periodic interrupt every 25 milliseconds and provides certain services to the application programmer.

The virtual driver provides the following services.

- Running real-time second and millisecond clocks.
- Scanning the universal inputs to compare them against preset thresholds.
- Scanning the digital inputs and setting digital outputs.
- Providing any number of “virtual” watchdog timers.
- Providing clock drive for the optional real-time kernel.
- Providing control for an audible beeper.
- Providing a driver for the keypad.
- Providing a driver for the liquid crystal display.

The following switches turn off the services of the virtual driver. If used, they must precede driver calls. Leave the switch undefined to avoid disabling the service.

- **#define NOUNIVERSAL**  
Disable the virtual driver for digital inputs, universal inputs, digital outputs and relays.
- **#define NOTIMERS**  
Disable the virtual timers. The virtual timers are software timers, useful in ladder logic programming and gate programming.
- **#define NOLCD**  
Disable the liquid crystal display (LCD). This directive will prevent the initialization of the LCD. Commands to the LCD have no effect unless the LCD has been initialized.

The following preprocessor variables control features of the virtual driver.

- **#define N\_WATCHDOG** *nn*

Specify the number of virtual watchdog timers. Each virtual watchdog has a counter that has to be reloaded. If the counter for any virtual watchdog counts down to zero, a hardware reset is forced. To reload a virtual watchdog, type

```
up_wdoghit( int watchdog, byte count )
```

where **count** is the number of 25-millisecond ticks to countdown. A virtual watchdog **wdog** can be monitored, if necessary, by reading the internal variable **lc\_wdogarray[wdog-1]**. The program **VWDOG.C** in the subdirectory **SAMPLES\CPLC** illustrates the use of virtual watchdog timers.

- **#define RUNKERNEL**

Request the real-time kernel. It will be initialized.

- **#define KEYREQUEST** *nn*

Request a real-time kernel task when a key is pressed. The sample program **SAMPLES\CPLC\VWDOG.C** illustrates the use of this directive.

### ***Invoking the Virtual Driver***

Call **uplc\_init()** from the main function to invoke the virtual driver. This call will initialize the following items:

- Variables for the virtual driver.
- Virtual watchdog timers (if requested).
- The liquid crystal display (unless disabled).
- The real-time kernel (if requested).
- The timer that runs the background routine.

The program must periodically hit the (hardware) watchdog **uplc\_init()** to keep it from timing out.

## **Virtual Driver Services**

- **up\_beep( int milliseconds )**

Beeps the built-in beeper for the number of milliseconds specified.

- **up\_beepvol( int code )**

Sets beeper volume. The **code** is 0, 1, or 2, and corresponds to beeper off, low, or high volume.

- `lcd_printf( long cursor, char *fmt, arg... )`

Print on the liquid crystal display screen. The variable `cursor` determines the position of the cursor before and after the string of characters determined by the format `*fmt` and the arguments (`arg...`) is printed according to traditional `printf` conventions. The cursor variable is a long integer consisting of four bytes, Y1, X1, Y2, X2, where Y1 is in the most significant byte. The pair Y1, X1 is the position of the cursor before writing and Y2, X2 is where the cursor will be positioned after writing. The upper four bits of Y2 specify whether the cursor will be left on (1) or off (0) after the print is complete. If `*fmt` is a null string, then only cursor positioning will take place.

Lines on a  $2 \times 20$  screen (Y values) are numbered 0 and 1. Columns (X values) are numbered 0...19. A screen with four lines has lines numbered 0–3.

The function `lcd_printf` is not reentrant. If it is used in a multitasking environment, it is necessary to restrict `lcd_printf` to only one task at a time. Several utility routines make this possible.

The following routines save and restore the contents of the liquid crystal display screen. The program must “have the token” to use these routines in a multitasking environment.

```
lcd_savscrn( struct lcd_scrn *s )
```

```
lcd_resscrn( struct lcd_scrn *s )
```

The following routines erase the screen or a line on the screen. The user must “have the token” to call these routines in a multitasking environment.

```
lcd_erase()
```

```
lcd_erase_line( int line ) // line is 0 or 1
```

A copy of the display contents and the location of the cursor is updated in memory whenever `lcd_printf` prints to the liquid crystal display. The function `lcd_savscrn` copies this image to a user-specified save area. The function `lcd_resscrn` copies the screen save area back to the screen and the image copy. A task can use these routines to interrupt another task using the liquid crystal display, save the image, use the liquid crystal display, restore the image, and return the liquid crystal display to the original task.

## Virtual Driver Variables

The variables described here are defined in **CPLC.LIB**. The virtual driver updates the input variables every 25 milliseconds to reflect the state of the hardware inputs and sets the hardware outputs based on the state of its output variables.



The virtual driver does not change input variables unless the hardware input has the same value for at least two ticks of the virtual driver.

### ***Digital Outputs***

The 10 digital outputs and the two relay outputs are represented by the following variables:

**RELAY1, RELAY2**  
**OUT1, OUT2...OUT9, OUT10**

Storing a 1 in these variables causes the corresponding output to be energized on the next virtual driver tick. Storing a 0 clears the corresponding output.

### ***Digital Inputs***

Seven variables represent the seven digital inputs:

**DIGIN1, DIGIN2...DIGIN6, DIGIN7**

These variables are updated every virtual driver tick (25 ms). They are set to either 1 or 0 depending on the state of the physical input. A 1 corresponds to an input value of at least 2.5 volts.

### ***Universal Inputs***

The universal inputs are represented by these variables:

**U1IN, U2IN, U3IN, U4IN, U5IN, U6IN**

They are updated to 1 or 0 depending on the relationship of the analog input to preset thresholds.

A high threshold and a low threshold are associated with each universal input variable. These are the levels at which the flags **U1IN, U2IN, ...** are switched.

**U1LOW, U1HIGH, U2LOW, U2HIGH, ... U6LOW, U6HIGH**

The way the universal inputs are interpreted is determined by setting these thresholds.

## Timers

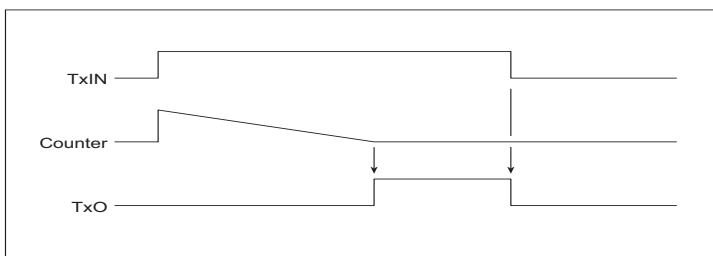
There are 10 virtual timers. Each timer has an input flag, an output flag, and a reload value.

```
T1IN,  T2IN  ... T10IN      // input flags
```

```
T1O,   T2O   ... T10O      // output flags
```

```
T1RLD, T2RLD ... T10RLD   // reload values
```

When a timer input (for example, **T1IN**) goes from 0 to 1, the counter starts counting from the reload value (for example, **T1RLD**) down, one count every virtual driver tick (25 milliseconds). The output flag (**T1O**) is set to 1 when the count reaches zero. The output is forced to zero whenever the input is set to zero.



**Figure 4-1. Timer Output Variation Over Time with Timer Input and Counter**

## Downloading Code

A program may be downloaded to the PK2100 via a serial or other communications link. A related problem is loading programs to EPROM, RAM, or an external mass storage device for execution.

The basic method for downloading starts with writing a *monitor* program that is burned into EPROM. This monitor program serves as a master controller to load and start execution of the programs and to regain control when the executed program finishes.

The monitor program must also gain control when the board is reset through hardware, either by power-on, watchdog time-out, or the reset key. An external hardware reset line may be installed to allow the computer that is downloading the program to be able to force a hardware reset of the PK2100. Connect Pins 2 and 3 on Jumper J11 to use the CTS0 line from the 6-pin phone jack to control external resetting of the PK2100. However, the handshaking line for the RS-232 port will be lost. To be safe, tie the /CTS0 line of the RS-232 port to ground to continue to use the RS-232 port for communication.



Refer to the Dynamic C manual for a discussion on memory mapping and remote downloading and execution of code.

## Direct Programming of the Serial Ports

The *Z180 Technical Manual* and the *Z80 SIO Technical Manual*, available from Zilog, Inc., in Campbell, California, provide detailed information to plan extensive use of the serial ports and synchronous communications. Z-World provides just a few low-level utility functions:

```
int sysclock()  
int z180baud( int clock, int baud )
```

The `sysclock` function returns the clock frequency in units of 1200 Hz, as read from the EEPROM. The clock frequency was stored at location 108H at the factory. The `z180baud` function returns the byte to be stored in `CNTLB0` or `CNTLB1`, considering only the bits needed to set the baud rate. The clock and baud rate must be specified in units of 1200 Hz. Thus, a 9.216-MHz clock is expressed by 7680, and 19,200 baud is expressed by 16. The return value is -1 if the baud value cannot be derived from the given clock frequency.

Each serial port appears to the CPU as a set of registers. Each serial port can be accessed directly with the `inport` and `outport` library functions, using the symbolic constants for Address 00-09 in Table D-1, Appendix D.



For example, to read and write from serial port 0:

```
char ch;  
ch = inport( RDR0 );  
outport( TDR0, ch );
```

Ports may be polled or interrupt-driven. The interrupt vectors are given in Table D-4, Appendix D.

### Attainable Baud Rates

The serial ports built into the Z180 can generate standard baud rates when the clock frequency is 6.144 MHz or 9.216 MHz or a small multiple, for example, 3.072, 4.608, 6.144, 9.216, or 12.288 MHz. A crystal is stamped with twice the clock frequency.

### Z180 Serial Ports

The Z180 has two independent, full-duplex asynchronous serial channels, with a separate baud-rate generator for each channel. The baud rate can be divided down from the microprocessor clock or from an external clock for either or both channels.

The serial ports have a multiprocessor communications feature that can be enabled. When enabled, an extra bit is included in the transmitted character (where the parity bit would normally go). Receiving Z180s can be programmed to ignore all received characters except those with the extra multiprocessing bits enabled. This provides a 1-byte attention message that can be used to wake up a processor without the processor having to monitor (intelligently) all traffic on a shared communications link.

Figure 4-2 shows the configuration for Serial Channel 0. The configuration for Serial Channel 1 is similar, but modem control lines –RTS1 and –DCD0 are not available. Five of the seven registers shown are accessible directly as internal registers.

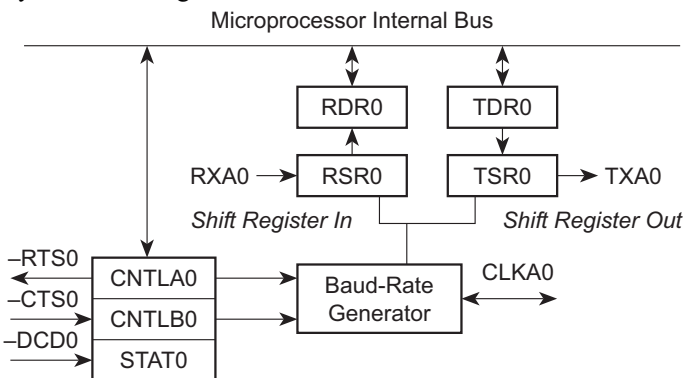


Figure 4-2. Z180 Serial Channel 0 Configuration

The serial ports may be polled or interrupt-driven. A polling driver tests the ready flags (**TDRE** and **RDRF**) until a ready condition appears (transmitter data register empty or receiver data register full). If an error condition occurs on receive, the routine must clear the error flags and take any appropriate action. If the  $\text{-CTS}$  line is used for flow control, transmission of data is automatically stopped when  $\text{-CTS}$  goes high because the **TDRE** flag is disabled. This prevents the driver from transmitting more characters, because it thinks the transmitter is not ready. The transmitter will still function with  $\text{-CTS}$  high, but care must be exercised since **TDRE** is not available to synchronize the loading of the data register (**TDR**).

An interrupt-driven driver works with the program enabling the receiver interrupt as long as it wants to receive characters. The transmitter interrupt is enabled only while characters are waiting in the output buffer. When an interrupt occurs, the interrupt routine must determine the cause: receiver data register full, transmitter data register empty, receiver error, or  $\text{-DCD0}$  pin high (channel 0 only). None of these interrupts is edge-triggered. Another interrupt will occur immediately, if the interrupts are re-enabled without disabling the condition causing the interrupt. The signal  $\text{-DCD0}$  is especially treacherous because it cannot be disabled when the receive interrupts are on. In most designs, the  $\text{-DCD0}$  line should be connected directly to ground, thus taking it out of the picture.



## ***SOFTWARE REFERENCE***

---

Chapter 5 presents information on the Dynamic C software drivers and communication software for the PK2100.

## Driver Software

Drivers in the Dynamic C software library make it easy to communicate with the PK2100 inputs and outputs. Drivers may be *direct* or *indirect*. A direct driver immediately reads or writes to the controlled hardware. An indirect driver uses intermediate variables. Z-World's *virtual driver* is a periodically called interrupt service routine that connects the hardware with intermediate variables.

Drivers may be low-level drivers that return, send, or transmit values when the values are received or presented by the interface. High-level drivers modify the inputs or outputs in some way, such as by introducing calibration, hysteresis or averaging. Indirect, high-level drivers are preferred because they eliminate any concern about the technical details of the input/output interface. The price for this convenience is a slight loss of speed and efficiency.

### ***Digital Input***

#### **Direct Driver**

- `int up_digin( int channel )`

Gets the value at the specified digital input channel (1–7). The function returns 1 when the channel is high and 0 when the channel is low.

#### **Virtual Driver**

Reference the parameters DIGIN1, DIGIN2, DIGIN3, DIGIN4, DIGIN5, DIGIN6, and DIGIN7. For example,

```
heater = DIGIN1 || DIGIN2;
```

These variables take the value 1 if the input is high (greater than 2.5 volts) and 0 if the input is low. The parameter value changes only if the new value remains the same for 2 ticks (25–50 ms) of the virtual driver.

### ***Digital Output***

#### **Direct Driver**

- `int up_setout( int channel, int value )`

Passes channel number 1–10 and value 0 for “OFF,” 1 for “ON.” If `channel` is 11 or 12, relay 1 or 2 is switched.

#### **Indirect Driver**

Set the variables `OUT1`, `OUT2`, `OUT3`, ... `OUT9`, `OUT10` to a value of 0 to turn the output off, or to a value of 1 to turn the output on. Outputs pull low when turned on. The variables `RELAY1` and `RELAY2` control the relay contacts.

## Analog Input

The A/D system relies on software calibration, using calibration constants stored in the system EEPROM. Uncalibrated values are in the range 0–1023, with each count representing approximately 10 millivolts. Calibrated values are kept on a scale 0–10,000, with each count representing 1 millivolt, or in the case of the single high-gain input, 0.1 millivolt. Since it requires about 200 milliseconds to convert an uncalibrated value to a calibrated value or vice versa, preliminary data storage or averaging may be done using uncalibrated values to save computing time. The following utility routines convert back and forth between uncalibrated and calibrated values.

```
int up_docal( int raw_value ) // return calibrated
                               // value from raw
int up_uncal( int cal_value ) // return raw value
                               // from calibrated
```

### Low-Level Direct Driver

- **int up\_adrd( int channel )**

Returns a 10-bit uncalibrated value scaled so that 1023 corresponds to full scale (10 volts). The conversion time is less than 200 milliseconds. Each count represents approximately 10 millivolts.

The channel may be 1–8. Channels 1–6 are universal inputs. Channel 8 may be used as a universal input unless it is used with the high-sensitivity input, Channel 7.

### Calibrated Direct Driver

- **int up\_adcal( int channel )**

Returns a voltage value scaled so that the value 10,000 represents 10 volts. The calibration applied considers the actual value of the voltage reference and the nonlinearity of UEXP. The calibration for the high-sensitivity input, Channel 7, is such that 10,000 equals 1 volt. (Values slightly less than 0 and slightly over 10,000 are possible.)

- **int up\_in420()**

Returns the current flowing through universal Channel 6 when subjected to a current input. The function returns 1000 for each milliamper. The maximum value is approximately 25,000. Jumper H6-6 must be connected to H5-6 and Jumper H5-7 must be connected to H5-8 to place a load resistor equivalent to 392  $\Omega$  in the circuit. The driver must be able to deliver an input voltage of about 8 volts to achieve 20 milliamps.

- **int up\_adtest( int channel, int testval )**

Returns 1 if external voltage is greater than test value expressed as an uncalibrated 0–1023 value. Use `up_uncal` routine to compute test value. For example `up_adtest(2,up_uncal(2600))` returns 1 if the Channel 2 input is greater than 2.60 volts.

- **int up\_uncal( int calval )**

Returns uncalibrated value 0–1023 given calibrated value in millivolts, 0–10,000. This function is used to generate a raw threshold value, corresponding to a calibrated value, for use with the universal input channels and the high-gain channel.

- **up\_docal( int calval )**

Generates calibrated value 0–10,000 millivolts given uncalibrated value 0–1023. This can be used with `up_adrd(channel)` when data are collected in uncalibrated form.

- **float up\_higain( int mode )**

Returns a value from the high-gain differential analog input. There are three modes of operation, all of which assume Jumper H7 is removed. Mode 1 assumes AD– is grounded and returns voltage on AD+ in the range 0–1 volts. Mode 2 returns the difference voltage ( (AD+) – (AD–) ). The possible voltage range depends on the common-mode voltage, varying from 0–1 volts when AD– is at ground, from –0.5 to +0.5 volts when AD– is at –0.5 volts, and from –1 to 0 volts when AD– is at –1.0 volt. Mode 3 returns the input voltage on AD+ in the range 0–10 volts. The function returns the input voltage at AD+ if the output of the amplifier is out of range.

## Virtual Driver for Universal Inputs

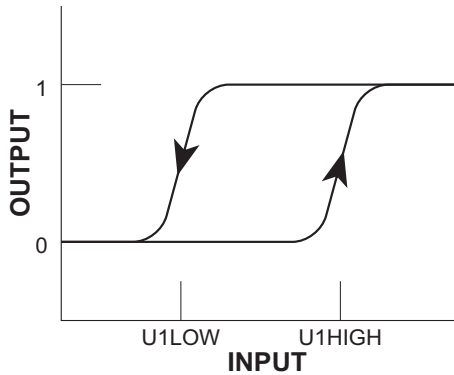
The virtual driver assesses the state of universal inputs 1–6. Each of these channels has a high and low threshold, and a flag to indicate the relationship of the incoming signal to the thresholds.

The incoming analog signal is compared with the high and low threshold every tick of the virtual driver (25 milliseconds). For example, the flag `UIIN` is set to 1 if the signal on Channel 1 is above the high threshold, and is set to 0 if the signal is below the low threshold. The flag is not altered when the signal is in the hysteresis region. In addition, the flag is not altered unless the new condition that requires the flag to be altered persists for two clock ticks (25–50 milliseconds). A program such as the one in the following example can set the thresholds to any desired level and then check the associated flag.

This relationship is shown in Figure 5-1 for Channel 1.

```
U1HIGH = up_uncal( 8000 );
U1LOW  = up_uncal( 7900 );
U1IN   = up_adrd (1) > U1LOW;    // get immediate
                                     // value of U1
while(1) OUT2=U1IN;              // output 2 enabled whenever
                                     // U1 is greater than 800 mV
```

Note that the thresholds are expressed as raw (uncalibrated) values. This saves computation time in the interrupt routine. Use the routine `up_uncal` to compute the raw values from the desired calibrated values.



**Figure 5-1. Universal Input Hysteresis**

## **Analog Output**

Analog output consists of the DAC output channel, which can be set up as either a current or a voltage output. There is also an option for the UEXP output to be used as a voltage DAC output if the universal input is configured as a digital-only input. Only direct drivers are available for analog output.

### **Direct Driver**

- **void up\_daccal ( int value )**

Sends a calibrated value to the DAC output channel. A calibrated voltage is a value expressed in millivolts. (10,000 for 10 volts).

- **void up\_dacout ( int rawval )**

Sends a raw value to the DAC output channel. Each count represents an increment of 0.01 volts over the count range 0–1023.

- **void up\_dac420( int current )**

Sends a current value to the DAC output channel. The current is specified such that 1000 = 1 milliamp. The maximum is 20,000 or 20 milliamps. Pins 1-2 on Jumper J7 must be connected for current output. The maximum output is approximately 12 volts.

- **void up\_expout ( int rawval )**

Sends a raw value to UEXP, the internal D/A converter. Use this function primarily for testing and calibration since, in most cases, UEXP is subject to constant manipulation by interrupt routines. Use

```
up_expout( up_docal(value) );
```

to output a calibrated value expressed in millivolts.

## Virtual Driver

The virtual driver does not perform analog output.

## High-Speed DMA Counter

The two DMA channels are used as high-speed counters, and are capable of counting up to 600 kHz. Function calls load the countdown value for the DMA channel and enable the DMA interrupt. Flags for the DMA channel are set to 1 once a counter reaches zero. A program can monitor these flags.

- **void DMA0Count( uint count )**

Loads the DMA channel 0 with the **count** value and enables the DMA Channel 0 interrupt. The function sets the flag **\_DMAFLAG0** to zero. When **count** negative edges have been detected, the channel will cause an interrupt and the interrupt service routine will set the flag **\_DMAFLAG0** to 1. A program can monitor **\_DMAFLAG0** to determine if the number of counts has occurred.

- **void DMA1Count( uint count )**

Loads DMA Channel 1 with the **count** value and enables the DMA Channel 1 interrupt. The function sets the flag **\_DMAFLAG1** to zero. When **count** negative edges have been detected, the channel will cause an interrupt, and the interrupt service routine will set the flag **\_DMAFLAG1** to 1. A program can monitor **\_DMAFLAG1** to determine if the number of counts has occurred.



- `uint DMASnapShot( byte channel, uint *counter )`

This function reads the number of pulses that a DMA channel (0 or 1) has counted. A DMA counter is initialized with one of the two preceding functions. The function returns 0 if a DMA channel is counting too fast to allow for stable reading of the count value. If the function reads a stable count value, it returns 1 and sets the parameter `count`. Note that DMA interrupts will still occur when the DMA channel counts down from its loaded value even if the counts cannot be read.

For example,

```
main() {
    unsigned count, oldcount;
    oldcount = 0;

    DMA0Count( 100 );      // count 100 pulses
    while( !DMAOFLAG ){   // not finished
        if( DMASnapShot(0,&count) ){ // is it stable?
            if( oldcount != count ){
                oldcount = count;
                printf( "DMA counted %u\n", count );
            }
        }
    }
    printf( "finished counting\n" );
}
```

The program `DMACOUNT.C` in the subdirectory `SAMPLES\CPLC` illustrates the use of these DMA functions.

### ***Battery-Backed Clock***

The battery-backed clock, Toshiba part number TC8250, retains the time and date with a resolution of one second, and an accuracy of about one second per day. It automatically accounts for leap year.

The following structure is used to hold the time and date:

```
struct tm {
    char tm_sec;      // 0-59
    char tm_min;     // 0-59
    char tm_hour;    // 0-23
    char tm_mday;    // 1-31
    char tm_mon;     // 1-12
    char tm_year;    // 00-150 (1900-2050)
    char tm_wday;    // 0-6 where 0 means Sunday
};
```

The following routines read and write the clock:

```
int tmc_wr( struct tm *x ); // write the clock
int tmc_rd( struct tm *x ); // read the clock
```

The following routines convert the time to and from a long integer. The long-integer format represents the number of seconds that have passed since midnight (00:00:00), January 1, 1980.

```
// return long seconds from structure
long mktime( struct tm *t );
// return structure from long seconds
int mktime( struct tm *t, long time );
```

The long-integer format is easier for making comparisons. It represents time until 12:00 midnight, December 31, 1999.

The real-time clock can also be programmed to interrupt the processor periodically through the INT2 interrupt line. The Toshiba TC8250 data book contains further details.

## ***Liquid Crystal Display and Keypad***

The library **CPLC.LIB** includes functions for writing to the LCD and “reading” the keypad. There is a 16-element keypad buffer.

- **void lc\_char( char ch )**

Sends a character to the LCD. The function waits for the LCD to become free before sending the character.

- **int lc\_cmd( int cmd )**

Sends a 1-byte command to the LCD. The function waits for the LCD to become free before sending the command. If the LCD does not become free within a certain time (5,000 attempts to write), the function returns -1. Otherwise, it returns 0, indicating success.

- **void lc\_ctrl( byte cmd )**

Sends a 1-byte command to the control register of the LCD. The function waits for the LCD to become free (not busy) before writing.

- **void lc\_init()**

Initializes the LCD. The display is turned on, cleared, and the cursor (now in the top left character position) blinks.

- **void lc\_init\_keypad()**

Initializes the keypad, timer1 and the real-time kernel (if it is in use).

- **void lc\_init\_timer1( uint count )**

Initializes the timer reload register. The term **count** is expressed as shown below for the 6.144-MHz clock.

<b>count</b>	<b>Frequency</b>	<b>Period</b>
192	1600 Hz	625 $\mu$ s
384	800 Hz	1.25 ms
6144	50 Hz	20 ms

In other words, **count** = clock speed , (20  $\times$  frequency).

- **int lc\_kxget( byte mode )**

Gets the current entry from the keypad buffer. If **mode** is 0, the byte pointer is advanced. Otherwise, it remains at the current byte.

The function returns an integer representing which key was pressed. Numbers from 0–11 are returned for a 2  $\times$  6 keypad.

The function returns -1 if the buffer is empty.

- **void lc\_kxinit()**

Initializes the keypad. The virtual watchdogs are initialized if virtual watchdogs are defined (see the *virtual driver*).

- **void lc\_nl()**

Performs a newline on the LCD.

- **void lc\_pos( int line, int column )**

Positions the cursor at **line** (0, 1, ...) and **column** (0, 1, 2, 3, ...).

- **void lc\_printf( char\* fmt, ... )**

Perform a **printf** on the LCD. The function arguments are specified as they are for the standard **printf**.

- **void lc\_setbeep( int count )**

Sounds the beeper for the number of 2560-Hz cycles specified by **count**.

- `void lc_wait()`

Waits for the LCD to become free (i.e., not busy).

## ***EEPROM Read / Write***

- `int ee_rd( int address )`

Reads EEPROM at specified address and returns result in lower byte. Returns -1 if EEPROM is not functioning.

- `int ee_wr( int address, char data )`

Writes character data at address in EEPROM. Returns -1 if EEPROM is not functioning.

- `int eei_rd( int address )`

Reads EEPROM integer (2 bytes, least significant byte first) at address specified. Does not return a distinct error code if EEPROM fails.

## ***Flash EPROM Write***

- `int WriteFlash( ulong addr, char* buf, int num )`

Writes `num` bytes from `buf` to flash EPROM, starting at `addr`. The term `addr` is an absolute physical address.

To do this with Dynamic C, allocate flash data in Dynamic C by declaring *initialized* variables or arrays, or initialized `xdata`. The data name for `xdata` must be passed directly to the function

```
xdata my_data { 0, 0xFF, 0x08 };
```

```
. . .
```

```
WriteFlash { my_data, my_buffer, my_count };
```

For normal data, pass the physical address of the data to the function

```
char xxx[ ] = { 0, 0xFF, 0x08 };
```

```
. . .
```

```
WriteFlash { phy_adr(xxx), my_buffer, my_count };
```

The function returns

- 0 if the operation is successful,
- 1 if no flash EPROM is present,
- 2 if a physical address is within the BIOS area,
- 3 if a physical address is within the symbol table, or
- 4 if the write times out.

The data are placed in RAM, not ROM, when some form of initialization is not included when the data are declared. The function then will not work.



It may seem to be contradictory to write to ROM, but this is possible with flash EPROM, where the flash memory is treated as nonvolatile memory.

Flash EPROM is rated for 10,000 writes. Z-World's experience has been that flash EPROM seems to last for at least 100,000 writes. Nevertheless, there is a limit after which the flash EPROM chip will need replacement.

## Communication

### ***RS-232 Communication***

Z-World has RS-232 support libraries for the Z180 port 0, and for the RS-232 expansion card that interfaces through the PLCBus to the PK2100. Functional support for serial communication includes the following functions:

- Initialization of the serial ports.
- Monitoring and reading a circular receive buffer.
- Monitoring and writing to a circular transmit buffer.
- An echo option.
- CTS (clear to send) and RTS (request to send) control.
- XModem protocol for downloading and uploading data.
- A modem option.

## Support Libraries and Sample Programs

Dynamic C provides subdirectories with libraries and software samples. Table 5-1 lists and describes libraries of use to the PK2100 in the **LIB** subdirectory.

**Table 5-1. PK2100 Support Libraries**

Library	Description
Z0232.LIB	RS-232 library for the Z180 port 0.
MODEM232.LIB	Miscellaneous functions common to the other communication libraries.
UART232.LIB	RS-232 library for the RS-232 expansion card.
NETWORK.LIB	RS-485 9-bit binary half-duplex support for master/slave communication for Z180 port 1.
CPLC.LIB	Low-level drivers for the PK2100. Includes drivers for the real-time clock, LCD, keypad, virtual drivers, DAC, A/D, digital input and digital output.
5KEY.LIB	Driver for the five-key system.
5KEYEXTD.LIB	Drivers for input/output display under the five-key system.
GATE_P.LIB	Drivers for gate programming.

Table 5-2 lists and describes sample programs of use to the PK2100 in the **SAMPLES\CPLC** subdirectory.

**Table 5-2. Sample Programs in SAMPLESICPLC**

<b>Program</b>	<b>Description</b>
<b>5KEYCODE.C</b>	Code-driven sample program for the five-key system.
<b>5KEYDEMO.C</b>	Uses a code-driven five-key system and the RTK for I/O monitor and control.
<b>5KEYLAD.C</b>	Combines <b>5KEYCODE.C</b> and <b>LADDERC.C</b> .
<b>5KEYLINK.C</b>	Linked-list sample program for the five-key system.
<b>5KEYSCAN.C</b>	Combines <b>5KEYCODE.C</b> and <b>SCANBLK.C</b> .
<b>ADCDEMO.C</b>	Use keypad to select which ADC channel to monitor.
<b>CDEMO_RT.C</b>	Demonstrate the use of the real-time kernel.
<b>DACDEMO.C</b>	Use keypad to select output voltage on the DAC.
<b>DIGDEMO.C</b>	Use the keypad to select which digital input channel to monitor.
<b>DIGVDVR.C</b>	Similar to <b>DIGDEMO.C</b> , but uses the virtual driver to monitor the state of the input.
<b>DMACOUNT.C</b>	Demonstrates the use of the high-speed counters.
<b>GATER.C</b>	Elaborate program using ladder C or gate programming to control and monitor the I/Os.
<b>OUTDEMO.C</b>	Use the keypad to toggle the state of the digital outputs.
<b>OUTVDVR.C</b>	Similar to <b>OUTDEMO.C</b> , but uses the virtual driver to change the state of the output.
<b>PRT0DEMO.C</b>	Use <b>TIMER0</b> for interrupt timer.
<b>READIO.C</b>	Read and toggle the I/Os through <b>STDIN</b> . The I/Os are driven by function calls.
<b>READKEY.C</b>	Read the keypad and write to the LCD and to the <b>STDIO</b> window.
<b>SCAN.C</b>	Elaborate program using function blocks or gate programming to control and monitor the I/Os.
<b>SCANBLK.C</b>	Use function blocks for I/O control.
<b>UINVDVR.C</b>	Use the virtual driver to monitor the universal inputs.
<b>UREADIO.C</b>	Read and toggle the I/Os through <b>STDIN</b> . The virtual driver drives the I/Os.
<b>VWDOG.C</b>	Illustrates the use of the virtual watchdogs and of <b>KEYREQUEST</b> .

Table 5-3 lists and describes sample communication programs in the `SAMPLES\NETWORK` subdirectory.

**Table 5-3. Sample Communication Programs in SAMPLES\NETWORK**

Sample	Description
<b>RS232.C</b>	RS-232 communication with a PC dumb terminal, with or without a modem. Also, master-to-slave communication with another board running <b>RS485.C</b> .
<b>RS485.C</b>	Slave program to communicate with the master running <b>RS232.C</b> .
<b>CZ0REM.C</b>	More elaborate sample of RS-232 communication between board and PC dumb terminal. Includes modem communication, data monitoring, time and date setup, memory read and write, data logging, XMODEM download of the data log, XMODEM upload of binary file for remote downloading. Also supports master-to-slave communication. (Slave has to be running the program <b>CSREMOTE.C</b> .)
<b>CSREMOTE.C</b>	Slave version of <b>CZ0REM.C</b> . Has most of the capabilities of <b>CZ0REM.C</b> . Master-to-slave communication is through the opto22 9th-bit binary protocol.
<b>UART232.C</b>	RS-232 communication with the PK2100 through an RS-232 expansion card.
<b>CUARTREM.C</b>	Same as <b>CZ0REM.C</b> but uses the RS-232 expansion card.





## *APPENDIX A: TROUBLESHOOTING*

---

Appendix A provides procedures for troubleshooting system hardware and software.

## Out of the Box

Check the items listed below before starting development. Rechecking may help to solve problems found during development.

- Verify that the PK2100 runs in stand-alone mode before connecting any expansion boards or I/O devices.
- Verify that the entire system has good, low-impedance, separate grounds for analog and digital signals. The PK2100 is often connected between the host PC and another device. Any differences in ground potential can cause serious problems that are hard to diagnose.
- Do not connect analog ground to digital ground anywhere.
- Double-check the connecting cables to ensure none are inserted backwards into the PK2100 headers.
- Verify that the host PC's COM port works by connecting a known-good serial device to the COM port. Remember that a PC's COM1/COM3 and COM2/COM4 share interrupts. User shells and mouse software, in particular, often interfere with proper COM-port operation. For example, a mouse running on COM1 can preclude running Dynamic C on COM3.
- Use the Z-World power supply supplied. If another power supply must be used, verify that it has enough capacity and filtering to support the PK2100.
- Use the Z-World cables supplied. The most common fault of other cables is their failure to properly assert CTS at the RS-232 port of the PK2100. Without CTS being asserted, the PK2100's RS-232 port will not transmit. Assert CTS by either connecting the RTS signal of the PC's COM port or looping back the PK2100's RTS. Check the connections carefully if a DB9 connector or an RJ-12 connector is wired to a 10-pin connector. The wires do not run pin-for-pin.



Note that telephone-company wiring has four wires with 4-pin RJ-11 connectors, whereas the RJ-12 connector has six pins.

- Experiment with each peripheral device connected to the PK2100 to determine how it appears to the PK2100 when powered up, powered down, and when its connecting wiring is open or shorted

## Dynamic C Will Not Start

If Dynamic C will not start, an error message on the Dynamic C screen (for example, **Target Not Responding** or **Communication Error**), announces a communication failure:

- *Wrong Baud Rate* — Either Dynamic C’s baud rate is not set correctly or the PK2100’s baud rate is not set correctly.
- *Wrong System Clock Speed in EEPROM* —The EEPROM contains the system clock speed as a word at location 108H in units of 1200 baud. If this number is incorrect, the PK2100 will try to communicate at the wrong baud rate.
- *Wrong Communication Mode* — Both sides must be talking RS-232.
- *Wrong COM Port* — A PC generally has two serial ports, COM1 and COM2. Specify the one used in the Dynamic C “Target Setup” menu. Use trial and error, if necessary.
- *Wrong Operating Mode* — Communication with Dynamic C is lost when the PK2100 is in run mode. Use the setup keys to reconfigure the PK2100 for programming mode to communicate with Dynamic C at 19,200 baud or 38,400 baud.
- *Wrong Jumper Setting* — Jumpers on J4 override these setup keys. Make sure they are installed correctly.
- *Wrong EPROM Size or Wrong Board Jumper* — Jumper J1 is used to specify the EPROM’s size.
- If all else fails, connect the serial cable to the PK2100 after power-up. If the PC’s RS-232 port supplies a large current (most commonly on portable and industrial PCs), some RS-232 level converter ICs go into a nondestructive latch-up. Connecting the RS-232 cable after power-up alleviates this problem.

## Dynamic C Loses Serial Link

Dynamic C will lose its link if the program disables interrupts for more than 50 milliseconds. Make sure that interrupts are not disabled for more than 50 milliseconds.

## PK2100 Resets Repeatedly

The PK2100 resets every 1.6 seconds if the watchdog timer is not “hit” and the watchdog timer is enabled by connecting pins 13 and 14 of J8. Dynamic C hits the watchdog timer, but there may be problems running the program if the program does not hit the watchdog timer. Make a call to `uplc_init` at the start of the program to make sure the watchdog timer is hit periodically in the background.

# Common Programming Errors

- Values for constants or variables out of range.

**Table A-1. Ranges of Dynamic C Function Types**

Type	Range
<code>int</code>	-32,768 ( $-2^{15}$ ) to +32,767 ( $2^{15} - 1$ )
<code>long int</code>	-2,147,483,648 ( $-2^{31}$ ) to +2,147,483,647 ( $2^{31} - 1$ )
<code>float</code>	$-6.805646 \times 10^{38}$ to $+6.805646 \times 10^{38}$
<code>char</code>	0 to 255

- Counting up from, or down to, one instead of zero. In the software world, ordinal series often begin or terminate with zero, not one.
- Confusing a function's definition with an instance of its use in a listing.
- Not ending statements with semicolons.
- Not inserting commas as required in functions' parameter lists.
- Leaving out an ASCII space character between characters forming a different legal—but unwanted—operator.
- Confusing similar-looking operators such as `&&` with `&`, `==` with `=`, `//` with `/`, etc.
- Inadvertently inserting ASCII nonprinting characters into a source-code file.



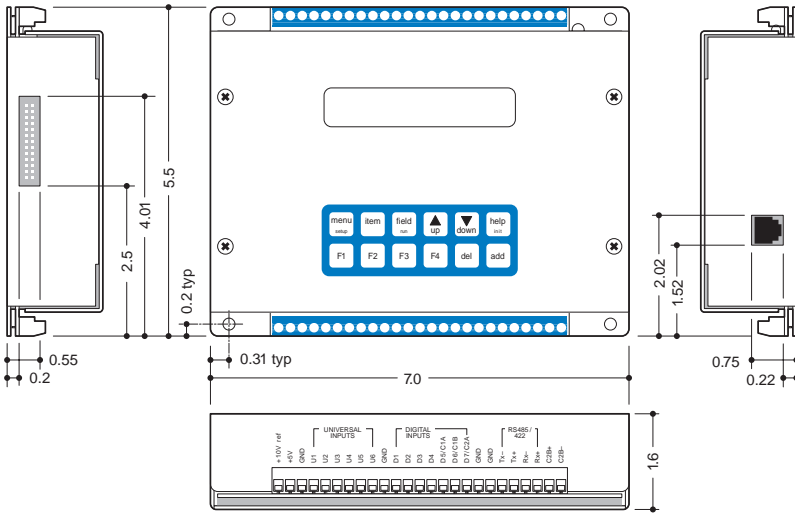
## *APPENDIX B: SPECIFICATIONS*

---

Appendix B provides the dimensions and specifications for the PK2100 controller.

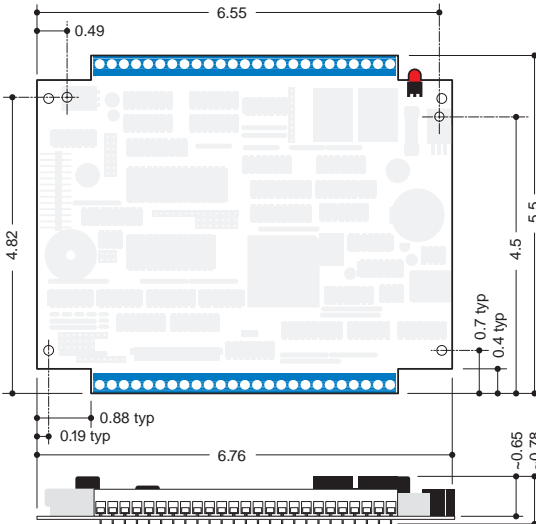
# Hardware Dimensions

Figure B-1 illustrates the PK2100's dimensions.



**Figure B-1. PK2100 Dimensions (in inches)**

Figure B-2 illustrates the dimensions for the PK2120/PK2130 board-only version of the PK2100.



**Figure B-2. PK2120/PK2130 Dimensions (in inches)**

Table B-1 presents the specifications for the PK2100 series of controllers.

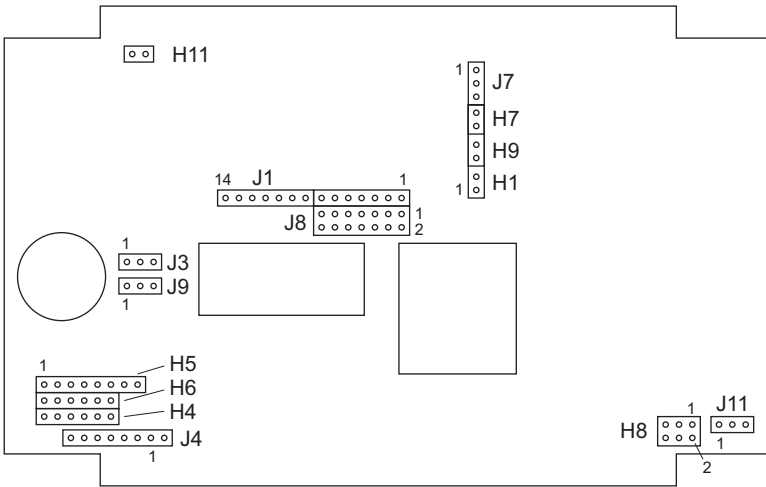
**Table B-1. PK2100 Specifications**

Board Size	5.5" × 6.76" × 0.78"
Enclosure Size	5.5" × 7.0" × 1.6"
Operating Temperature	
• Controller	-40+70°C
• LCD	0+50°C
Humidity	5%–95%, noncondensing
Input Voltage and Current	<ul style="list-style-type: none"> <li>• 18–35 V D.C., 220 mA, linear supply—PK2100/PK2120</li> <li>• 9–15 V D.C., 220mA, linear supply—PK2110/PK2130</li> </ul>
Configurable I/O	No
Digital Inputs	7 protected, -48+48 V, 2.5-V digital threshold
Digital Outputs	<ul style="list-style-type: none"> <li>• 10 channels, sinking continuously 150 mA each at 50°C and 48 V D.C.</li> <li>• 1 channel, sinking continuously 500 mA at 25°C</li> <li>• 2 SPDT relays, 3 A at 48 V</li> </ul>
Analog Inputs	<ul style="list-style-type: none"> <li>• 6 “universal inputs”</li> <li>• 1 10-bit, high-gain differential input</li> </ul>
Analog Outputs	2 jumperable as 0–10 V (0–7 V for PK2110/PK2130) (10 bits) or 0–20 mA (0–15 mA for PK2110/PK2130) (second output not available if high-gain analog input is in use)
Resistance Measurement Input	No
Processor	Z180
Clock Speed	6.144 MHz (9.216 MHz optional)
SRAM	32 kbytes (supports up to 512 kbytes)
EPROM	32 kbytes (supports up to 512 kbytes)
Flash EPROM*	Supports up to 256 kbytes
Counters	2 in hardware, others in software
Serial Ports	<ul style="list-style-type: none"> <li>• 1 RS-232 (with RTS/CTS handshake)</li> <li>• 1 RS-232 or RS-485/RS-422 (4-wire)</li> </ul>
Serial Rate	Up to 38,400 baud (57,600 baud at 9.216 MHz)
Watchdog/Supervisor	Yes
Time/Date Clock	Yes
Memory Backup Battery	CR2354-1GU or equivalent, 3-year shelf life, 10-year life in use
Keypad and LCD Display	<ul style="list-style-type: none"> <li>• 2 × 6 keypad</li> <li>• 2 × 20 character LCD</li> </ul>
PLC Bus Port	Yes

\* Flash EPROM replaces standard EPROM.

# Jumper and Header Specifications

Figure B-3 shows the locations of the PK2100 headers and jumpers.



**Figure B-3. Locations of PK2100 Headers and Jumpers**

The jumper configurations are described in Table B-2, Table B-3, and Table B-4..

**Table B-2. PK2100 Header Descriptions**

Header	Description
H1	When H1 is connected, a 10 kΩ excitation resistor, RP6A, is connected between the +10 V reference and the high-gain input AD+.
H7	Connect a jumper across H7 to cause differential inputs AD+ and AD- to be balanced in gain. If the jumper is disconnected, the gain is greater on the AD+ side, so that if both inputs are set to 5 V, the output of the operational amplifier is 5 V. Use this feature to accept input from bridges where the taps are nominally at +5 V.
H9	A jumper across H9 connects the internal battery to relay 1 N.O. contact. Use H9 when a battery self-test circuit is to be implemented by connecting a switched load to the battery.
H11	A jumper is normally installed across H11 to connect κ to the +24 V power supply. Disconnect only if a separate power supply is to be used for high-current outputs O1–O7. In that case, κ must be connected to that power supply.
J7	Connect 2-3 on J7 for voltage output on the DAC channel (factory setting). Connect 1-2 for 20 mA current output.



**Table B-3. PK2100 Jumper Connections**

Header	Pins	Description
J1	1-2	Connect if using 32K RAM or 128K RAM.
	2-3	Connect for 256K or 512K RAM.
	4-5	Connect if using 32K, 64K, or 128K EPROM.
	5-6	Connect for 512K or 256K EPROM or flash EPROM.
	7-8	Connect for <i>other than</i> 32K EPROM.
	8-9	Connect for 32K EPROM.
	10, 11	Not connected.
	12-13	Connect for 64K, 128K, 256K flash EPROM.
	13-14	Connect for 512K (non-flash) EPROM.
J3	1-2	Write-protect EEPROM at addresses 256–511. This is the factory setting.
	2-3	Write-enable EEPROM at addresses 256–511.
J8	1-2	Not connected.
	3-4	Connects timer output T0 to processor /INT2. Can generate periodic interrupts.
	5-6	Connects universal input 1 to processor /INT0. Not recommended.
	7-8	Connect processor I/O CKA1 to digital input 6. Can be used to aid pulse measurements.
	9-10	Connect processor I/O CKA1 to digital input 7. Can be used to aid pulse measurements.
	11-12	Processor-readable jumper. By convention, install whenever 13-14 is installed.
	13-14	Install jumper to enable watchdog timer.
J9	1-2	The comparators used for the universal inputs are connected to the voltage divider RR, which has a value of 1.6 V. This causes the universal inputs to have a threshold fixed at this value.
	2-3	Factory setting. The internal DAC is connected to the comparators used for the universal inputs.
J11	1-2	Connect to enable the CTS function on RS-232 serial port.
	2-3	Connect to use the CTS line as a board reset line. High CTS will reset board.

**Table B-4. PK2100 Header Connections**

Header	Pins	Description
H5	7-8	Connect to engage 4–20 mA load resistor (430 $\Omega$ ) from universal input 6 to ground.
H8	1-2	Connect to enable the second RS-232 output (at the expense of RS-485 output). The output pin will be TX-. The RS-232 input will be RX- and RX+ must be tied to ground.
	3-4, 5-6	Connect 3-4 and 5-6 to enable the termination and bias resistors for RS-485 communications.
H6–H4		For universal inputs 1–6 connect H6-n to H4-n to engage excitation resistor (3.3 k $\Omega$ ) to +10 V reference.
H5–H6		For universal inputs 1–6 connect H5-n to H6-n to engage pull-down resistor to ground (4.7 k $\Omega$ ).

Header J4 is a program-read header that overrides the keypad. Software conventions work with the various jumper connections listed in Table B-5.

**Table B-5. PK2100 Header J4 Connections**

Pins	Description
2-3	Place PK2100 in programming mode at 38,400 bps.
6-7	Run PK2100 program in RAM.
7-8	Place PK2100 in programming mode at 19,200 bps. Is equivalent to “no jumper connected.”

## Connectors

The ideal conductor for a screw clamp terminal is a single, solid conductor. However, bare copper can become oxidized, particularly if it is exposed to air for a long time before installation. The oxide can increase the resistance in the connection by  $\sim 20 \Omega$ , especially if the clamping pressure is not sufficient.

Use tinned wires or clean, shiny copper wire to avoid this problem. If multiple conductors or stranded wires are used, consider soldering the wire bundle or using a crimp connector to avoid a loss of contact pressure from a spontaneous rearrangement of the wire bundle at a later time. Soldering may make the wire subject to fatigue failure at the junction with the solder if there is flexing or vibration.

## Environmental Temperature Constraints

No special precautions are necessary over the range of  $0\text{--}50^\circ\text{C}$  ( $32\text{--}122^\circ\text{F}$ ). For operation at temperatures much below  $0^\circ\text{C}$ , the PK2100 should be equipped with a low-temperature LCD that is specified to operate down to  $-20^\circ\text{C}$ . The heating effect of the power dissipated by the unit (about 5 watts) may be sufficient to keep the temperature above  $0^\circ\text{C}$ , depending on the insulating capability of the enclosure. The LCD storage temperature is  $20^\circ\text{C}$  lower than its operating temperature, which may protect the LCD in case the power should fail, removing the heat source. The LCD is specified for a maximum operating temperature of  $50^\circ\text{C}$ . Except for the LCD, which fades at higher temperatures, the PK2100 can be expected to operate at  $60^\circ\text{C}$ , or more, without problem.





## *APPENDIX C: POWER MANAGEMENT*

---

Appendix C provides detailed information on power systems and sources.

## Power Failure Interrupts

The following events occur when power fails:

1. The power-failure nonmaskable interrupt (NMI) is triggered when the unregulated D.C. input voltage falls below approximately 15.6 volts, or 7.8 volts for the PK2110/PK2130 (subject to the voltage divider R9/R33).
2. The system reset is triggered when the regulated +5-volt supply falls below 4.5 volts. The reset remains enabled as the voltage falls further. At this point, the chip select for the SRAM is forced high (standby mode). The time/date clock and SRAM are switched to the lithium backup battery as the regulated voltage falls below the battery voltage of approximately 3 volts.

The following function shows how to handle a power-failure interrupt.

```
#JUMP_VEC NMI_VEC myint
interrupt retn myint() {
```

*Enter code here to save some variables or tag some flags.*

```
while(!(inport(DREG1) & 0x02));
// wait while NMI line is low
// this means input voltage is still below
// threshold that triggered the NMI
return; // if just a power glitch, return
}
```

Normally, a power-failure interrupt routine will not return, but will execute shutdown code and then enter a loop until the power-supply voltage falls low enough to trigger a reset. However, the voltage in a “brownout” situation might fall low enough to trigger a power-failure interrupt, but not low enough to reset, resulting in an endless hang-up. If an NMI is encountered, the service routine can monitor bit 1 of DREG1 to see whether the D.C. input voltage is still below the threshold of 15.6 volts (bit 1 is 0 if NMI is still active). If the low power was just a “glitch,” a return will resume execution of the program. If a low—but not fatally low—voltage persists, then the user has to decide manually what action to take, if any.

A situation similar to a brownout will occur if the power supply is overloaded. For example, when an LED is turned on, the voltage supplied to the Z180 may dip below 15.6 volts. The interrupt routine will execute a shutdown. This turns off the LED, clearing the problem. However, the cause of the overload may persist, and the system will oscillate, alternately experiencing an overload and then resetting. A larger power supply should correct this situation.

Do not forget the interaction between the watchdog timer and the power-failure interrupt. If a brownout causes an extended stay in the power-failure interrupt routine, the watchdog can time out and cause a system restart.

A few milliseconds of computing time remain when the +5-volt supply falls below 4.5 volts, even if power is abruptly cut off from the board. The amount of time depends on the size of the capacitors in the power supply. A standard wall transformer provides about 10 milliseconds. If the power cable is abruptly removed from the PK2100 side, then only the capacitors on the board are available, reducing the computing time to a few hundred microseconds. These times can vary considerably, depending on the system configuration and loads on the 5- or 9-volt power supplies.

The interval between the power-failure detection and entry to the power-failure interrupt routine is approximately 100 microseconds, or less if Dynamic C NMI communications is not in use.

Testing power-failure interrupt routines presents some problems. Normally, a power-failure interrupt routine disables interrupts. Probably the best test method is to use battery-backed memory to leave messages that track the execution of the power-failure routines. Use a variable transformer to simulate brownouts and other types of power-failure conditions.

The power-failure interrupt must be disabled if an external +5-volt power supply is used.

## Heat Sinking

The PK2100 has two power-supply regulators that are either heat-sinked into the case or into the mounting rails for the PK2120/PK2130. The +5-volt regulator dissipates the most heat and transfers heat to the case or rails via two mounting “pem” nuts. The maximum heat dissipation by this regulator is 10 watts at an ambient temperature of 50°C. The regulator will shut down protectively if an attempt is made to dissipate more heat because of a combination of high input voltage or excessive current draw on the +5-volt supply. The power dissipation is given by the formula:

$$P = (V_{IN} - 5) \times (I + 0.15)$$

where

$V_{IN}$  = input voltage (18–35 V)

I = current, in amperes, drawn from +5-volt supply by external accessories on bus or from VCC voltage terminal.

If the PK2100 is disassembled, take care to preserve or replace the silicon grease in the heat-conductive paths. Heat dissipation can be improved by bolting the PK2100 to a metal plate with a good heat transfer path near the lower left corner of the PK2100.







## *APPENDIX D: I/O MAP AND INTERRUPT VECTORS*

---

## I/O Map

The internal registers for the input/output devices built into to the Z180 processor occupy the first 40 (hex) addresses of the input/output space. Table D-1 lists the addresses of these internal registers.

**Table D-1. Addresses 00-3F for Z180 Internal I/O Registers**

Address	Name	Description
00	CNTLA0	Control Register A, Serial Channel 0
01	CNTLA1	Control Register A, Serial Channel 1
02	CNTLB0	Control Register B, Serial Channel 0
03	CNTLB1	Control Register B, Serial Channel 1
04	STAT0	Status Register, Serial Channel 0
05	STAT1	Status Register, Serial Channel 1
06	TDR0	Transmit Data Register, Serial Channel 0
07	TDR1	Transmit Data Register, Serial Channel 1
08	RDR0	Receive Data Register, Serial Channel 0
09	RDR1	Receive Data Register, Serial Channel 1
0A	CNTR	Clocked Serial Control Register
0B	TRDR	Clocked Serial Data Register
0C	TMDR0L	Timer Data Register, Channel 0, least
0D	TMDR0H	Timer Data Register, Channel 0, most
0E	RLDR0L	Timer Reload Register, Channel 0, least
0F	RLDR0H	Timer Reload Register, Channel 0, most
10	TCR	Timer Control Register
11–13	—	<i>Reserved</i>
14	TMDR1L	Timer Data Register, Channel 1, least
15	TMDR1H	Timer Data Register, Channel 1, most
16	RLDR1L	Timer Reload Register, Channel 1, least
17	RLDR1H	Timer Reload Register, Channel 1, most
18	FRC	Free-Running Counter
19–1F	—	<i>Reserved</i>
20	SAR0L	DMA Source Address, Channel 0, least
21	SAR0H	DMA Source Address, Channel 0, most
22	SAR0B	DMA Source Address, Channel 0, extra bits

continued...

**Table D-1. Addresses 00-3F for Z180 Internal I/O Registers (concluded)**

Address	Name	Description
23	DAR0L	DMA Destination Address, Channel 0, least
24	DAR0H	DMA Destination Address, Channel 0, most
25	DAR0B	DMA Destination Address, Channel 0, extra bits
26	BCR0L	DMA Byte Count Register, Channel 0, least
27	BCR0H	DMA Byte Count Register, Channel 0, most
28	MAR1L	DMA Memory Address Register, Channel 1, least
29	MAR1H	DMA Memory Address Register, Channel 1, most
2A	MAR1B	DMA Memory Address Register, Channel 1, extra bits
2B	IAR1L	DMA I/O Address Register, Channel 1, least
2C	IAR1H	DMA I/O Address Register, Channel 1, most
2D	—	<i>Reserved</i>
2E	BCR1L	DMA Byte Count Register, Channel 1, least
2F	BCR1H	DMA Byte Count Register, Channel 1, most
30	DSTAT	DMA Status Register
31	DMODE	DMA Mode Register
32	DCNTL	DMA/WAIT Control Register
33	IL	Interrupt Vector Low Register
34	ITC	Interrupt/Trap Control Register
35	—	<i>Reserved</i>
36	RCR	Refresh Control Register
37	—	<i>Reserved</i>
38	CBR	MMU Common Base Register
39	BBR	MMU Bank Base Register
3A	CBAR	MMU Common/Bank Area Register
3B–3D	—	<i>Reserved</i>
3E	OMCR	Operation Mode Control Register
3F	ICR	I/O Control Register

Table D-2 and Table D-3 present the I/O addresses that control I/O devices external to the Z180 processor.

**Table D-2. Write Registers**

Address	Bit(s)	Symbol	Function
0x80	0	SDA_W	EEPROM data, write.
0x81	0	KEYR2	Keypad drive row 2. Open collector, "1" drives low.
0x82	0	ENB485	Enable RS-485 channel.
0x83	0	BEEPH	Beeper, high-voltage drive. "1" drives beeper.
0x84	0	SCL	EEPROM clock bit.
0x85	0	KEYR3	Keypad drive row 3. Open collector, "1" drives low.
0x86	0	KEYR1	Keypad drive row 1. Open collector, "1" drives low.
0x87	0	KEYR4	Keypad drive row 4. Open collector, "1" drives low.
		DRV10	Also, tenth digital output if key row not used.
0x88	0-7	UEXP	Internal DAC for successive approximation. The high 8 bits of the digital value route through the PK2100's 8-bit DAC. The low 2 bits of the digital value route through an analog circuit and are controlled via UEXPA and UEXPB (below).
0x90	0-7	DAC	External DAC for voltage or current output. The high 8 bits of the digital value route through the PK2100's 8-bit DAC. The low 2 bits of the digital value route through an analog circuit and are controlled via DACA and DACB (below).
0x98	0	BEEPL	Beeper, low-voltage drive. "1" drives the beeper.
0x99	0	DRV1	Digital output 1. "1" drives output.
0x9A	0	DRV2	Digital output 2. "1" drives output.
0x9B	0	DRV3	Digital output 3. "1" drives output.
0x9C	0	DRV4	Digital output 4. "1" drives output.

continued...

**Table D-2. Write Registers (concluded)**

Address	Bit(s)	Symbol	Function
0x9D	0	DRV5	Digital output 5. “1” drives output.
0x9E	0	DRV6	Digital output 6. “1” drives output.
0x9F	0	DRV7	Digital output 7. “1” drives output.
0xA0	0	UEXPA	Additional bit, next to least, internal DAC.
0xA1	0	UEXPB	Additional bit, least significant, internal DAC.
0xA2	0	DACA	Additional bit, next to least, external DAC.
0xA3	0	DACB	Additional bit, least significant, external DAC.
0xA4	0	DRV8	Digital output 8. “1” drives output.
0xA5	0	DRV9	Digital output 9. “1” drives output.
0xA6	0	RLY1	“1” enables Relay 1.
0xA7	0	RLY2	“1” enables Relay 2.
0xC8	0-7	BUSADR0	Expansion bus, first address byte.
0xCA	0-7	BUSADR1	Expansion bus, second address byte.
0xCC	0-7	BUSADR2	Expansion bus, third address byte.
0xCE	0-7	BUSWR	Expansion bus write to port.
0x0	0-7	LCDRD	LCD read register, control.
0xD1	0-7	LCDRD+1	LCD read register, data.
0xD8	0-7	LCDWR	LCD write register, control.
0xD9	0-7	LCDWR+1	LCD write register, data.
0xE0	0-3	RTRW	Real-time clock, read/write data registers.
0xF0	0-3	RTALE	Real-time clock, write address latch.

**Table D-3. Read Registers**

Address	Bits	Symbol	Function
0x80	0-D7	UINP	Bits 0-6 are universal inputs 0-5 and the sensitive input (bit 6). Bit 7 is a user-programmable jumper (J8 pins 11-12) and is low when the jumper is installed. Bit 7 represents signal PR.
0x81	0-D7	DREG1	Bit 0 is EEPROM data bit. Bit 1 is NMI interrupt line (power fail line). Bits 2, 3, 4, 5, 6, and 7 are keypad columns 0, 1, 2, 3, 4, and 5.
		SDA_R	
0x88	0-D7	DREG2	Bits 0-6 are digital inputs 0-6. Bit 7 is the universal input channel fed through AD+ (or universal input channel 8).
0x98	—	WDOG	Reading this location “hits” the watchdog timer.
0xC0	0-D7	BUSR0	First read, data port expansion bus.
0xC2	0-D7	BUSRD1	Second read, data port expansion bus.
0xC4	0-D7	BUSSPARE	Unused bus read address.
0xC6	—	BUSRESET	Read location to reset all devices on expansion bus.

## Interrupt Vectors

Most interrupt vectors can be altered under program control. The addresses are relative to the start of the interrupt vector page, which is determined by the contents of the I-register. Table D-4 lists the default interrupt vectors set by the boot code in the Dynamic C EPROM.

A directive such as the following is used to “vector” an interrupt to a user function in Dynamic C.

```
#INT_VEC 0x10 myfunction
```

This causes the interrupt at offset 10H (serial port 1 of the Z180) to invoke the function `myfunction()`. The function must be declared with the `interrupt` keyword:

```
interrupt myfunction() {
    ...
}
```

**Table D-4. Interrupt Vectors for Z180 Internal Devices**

Address	Name	Description
0x00	<b>INT1_VEC</b>	Expansion bus attention INT1 vector.
0x02	<b>INT2_VEC</b>	INT2 vector, can be jumpered to output of the real-time clock for periodic interrupt.
0x04	<b>PRT0_VEC</b>	PRT timer channel 0
0x06	<b>PRT1_VEC</b>	PRT timer channel 1
0x08	<b>DMA0_VEC</b>	DMA channel 0
0x0A	<b>DMA1_VEC</b>	DMA channel 1
0x0C	<b>CSIO_VEC</b>	Clocked Serial I/O
0x0E	<b>SER0_VEC</b>	Asynchronous Serial Port Channel 0
0x10	<b>SER1_VEC</b>	Asynchronous Serial Port Channel 1

### ***Jump Vectors***

These special interrupt vectors occur in a different manner. Instead of loading the address of the interrupt routine from the interrupt vector, these interrupts cause a jump directly to the address of the vector, which will contain a jump instruction to the interrupt routine. This is an example of such a vector.

0x66            nonmaskable power-failure interrupt

Since non-maskable interrupts can be used for Dynamic C communications, the interrupt vector for power failure is normally stored just in front of the Dynamic C program. A vector may be stored there by the command

```
#JUMP_VEC NMI_VEC name
```

The Dynamic C communication routines relay to this vector when the nonmaskable interrupt is caused by a power failure rather than by a serial interrupt.

## ***Interrupt Priorities***

The interrupt priorities are listed below in descending order.

1. Trap (Illegal Instruction)—internal.
2. NMI (nonmaskable interrupt, power failure)—external.
3. INT0 (nonmaskable, level 0)—external.
4. INT1 (nonmaskable, level 1, expansion bus attention line)—external.
5. INT2 (nonmaskable, level 2, T0 output interrupt if jumpered)—external.
6. PRT Timer Channel 0—internal.
7. PRT Timer Channel 1—internal.
8. DMA Channel 0—internal.
9. DMA Channel 1—internal.
10. Clocked Serial I/O—internal.
11. Serial Port 0—internal.
12. Serial Port 1—internal.





## *APPENDIX E: EEPROM*

---

## PK2100/PK2120 24-V Version Calibration

Table E-1 presents the calibration constants for the PK2100/PK2120, the standard 24-volt versions.

**Table E-1. Calibration Constants for PK2100/PK2120 EEPROM**

Address	Definition
0	Startup Mode. If 1, enter program mode. If 8, execute loaded program at startup.
1	Baud rate in units of 1200 baud.
0x100	Unit “serial number.” BCD time and date with the following format: second, minutes, hours, day, month, year.
0x106	Required power voltage. This value is 24 for standard PK2100s and 12 for the 12-V version.
0x107	Software test version (times 10) (= 12 for version 1.2).
0x108	Microprocessor clock speed in units of 1200 Hz (16 bits) (= 5120 for 6.144-MHz clock speed).
0x10C	Bus address for networking. 16 bits.
0x10E	Analog voltage reference units of 1 mV. 16-bits. (= 10300 for 10.300 V).
0x110	Excitation resistor values for universal inputs 1–6. These are the pull-up resistors to the reference. Six integers in units of 0.5 $\Omega$ (= 6600 for 3.3-k $\Omega$ resistors).
0x11C	Pull-down resistor values for universal inputs 1–6. Six integers in units of 0.5 $\Omega$ . Default is 9400 (4.7 k $\Omega$ ).
0x128	4–20 mA load resistor. Resistance in units of 0.5 $\Omega$ . The nominal value is 780 (2 counts/ $\Omega$ $\times$ 390 $\Omega$ ). This represents the combined resistance of the load resistor and the pull-down resistor in parallel.
0x12A	<i>Reserved</i>
0x130	Table of 11 values relating to internal DAC. First value is output voltage when nominal output is zero. Additional values are output voltage increment (above offset) when input number is 1, 2, 4... 256, 512. Stored as integers expressed in units of 0.5 mV.
0x146	Table of 11 values relating to external DAC. First value is output voltage when nominal output is zero. Additional values are output voltage increment (above offset) when input number is 1, 2, 4... 256, 512. Stored as integers expressed in units of 0.5 mV.

continued...

**Table E-1. Calibration Constants for PK2100/PK2120 EEPROM (continued)**

Address	Definition
0x15C	For the standard PK2100, this is current in units of 1.0 $\mu$ A corresponding to voltage output of 2.000V when set for 0-20 mA output into nominal 392- $\Omega$ load resistor. Typically, near 4000. For the 12-volt PK2100, the output range is 0-15 mA.
0x15E	For the standard PK2100, this is current in units of 1.0 $\mu$ A corresponding to voltage output of 10.000 V when is set for 0-20 mA output into nominal 392- $\Omega$ load resistor. For the 12-volt PK2100, the output range is 0-15 mA.
0x160	<p>With shorting jumper H7 <i>connected</i>, these are 16-bit numbers <math>a_0</math> and <math>a_1</math> high-gain plus-side inputs in the gain formula</p> $y = a_1 \times (x_1 + a_0)$ <p>with the minus side grounded. If the minus side is not grounded, the formula is</p> $y = a_1 \times (x_1 + a_0) - b_1 \times x_2.$ <p>where <math>b_1</math> is the minus-side gain and can be computed from the calibration constants stored at location 0x164. The value <math>y</math> is the output of the high-gain amplifier read with universal input channel 7. The value <math>x_1</math> is the plus-side input read with universal input channel 8 and <math>x_2</math> is the minus-side input.</p> <p>The coefficient <math>a_0</math> is signed and is in units of 0.01 mV. The coefficient <math>a_1</math> is the unsigned dimensionless gain expressed in units such that a gain of 10 is equal to 2000.</p>
0x164	<p>With shorting jumper H7 <i>removed</i>, these are 16-bit numbers <math>a_0</math> and <math>a_1</math> high gain plus-side input in the gain formula</p> $y = a_1 \times (x_1 + a_0)$ <p>with the minus side grounded. If the minus side is not grounded, the formula becomes</p> $y = a_1 \times (x_1 + a_0) - b_1 \times x_2.$ <p>where <math>b_1</math> is the minus-side gain and can be computed as <math>a_1 - 1</math>.</p> <p>The library function <code>up_higain()</code> supports the default case (H7 unjumped).</p>
0x168	<i>Reserved</i>
0x16A	Resistance of excitation resistor for high gain plus input in units of $\Omega$ . Nominal value 10 k $\Omega$ . An unsigned integer.

continued...

**Table E-1. Calibration Constants for PK2100/PK2120 EEPROM (concluded)**

Address	Definition
0x16C	Long coefficient relating speed of microprocessor clock relative to speed of real-time clock. Nominal value is 107,374,182, which is 1/40 of a second microprocessor clock time on the scale where $2^{32}$ is 1.0 s. This requires 4 bytes of EEPROM, stored least byte first.

## PK2110/PK2130 12-V Version Calibration

Table E-2 presents the calibration constants for the PK2110/PK2130, the 12-volt versions, where they differ from those of PK2100/PK2120 in Table E-1.

**Table E-2. Calibration Constants for PK2110/PK2130 EEPROM**

Address	Definition
0x106	Required power. This value is 12 for the 12-V version.
0x107	Software test version (times 10) (= 12 for version 1.2).
0x15C	For the 12-Volt PK2100, this is current in units of 1.0 $\mu$ A, corresponding to voltage output of 2.000V when set for 0-15 mA output into nominal 392- $\Omega$ load resistor.
0x15E	For the 12-V PK2100, this is current in units of 1.0 $\mu$ A, corresponding to voltage output of 10.000 V when set for 0-15 mA output into nominal 392- $\Omega$ load resistor.

## Field Calibration

If the EEPROM is erased or certain components are changed, the PK2100 may be recalibrated. The only equipment needed for this procedure is a volt-ohm-milliamperere meter with sufficient precision (0.1% or better).

The calibration constants for the EEPROM are given in this appendix.



## ***APPENDIX F: PLCBUS***

---

Appendix F provides the pin assignments for the PLCBus, describes the registers, and lists the software drivers.

# PLCBus Overview

The PLCBus is a general-purpose expansion bus for Z-World controllers. The PLCBus is available on the BL1200, BL1600, BL1700, PK2100, and PK2200 controllers. The BL1000, BL1100, BL1300, BL1400, and BL1500 controllers support the XP8300, XP8400, XP8600, and XP8900 expansion boards using the controller’s parallel input/output port. The BL1400 and BL1500 also support the XP8200 and XP8500 expansion boards. The ZB4100’s PLCBus supports most expansion boards, except for the XP8700 and the XP8800. The SE1100 adds expansion capability to boards with or without a PLCBus interface.

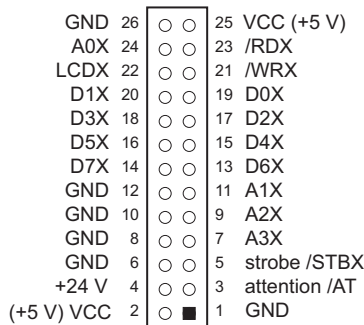
Table F-1 lists Z-World’s expansion devices that are supported on the PLCBus.

**Table F-1. Z-World PLCBus Expansion Devices**

Device	Description
EXP-A/D12	Eight channels of 12-bit A/D converters
SE1100	Four SPDT relays for use with all Z-World controllers
XP8100 Series	32 digital inputs/outputs
XP8200	“Universal Input/Output Board” —16 universal inputs, 6 high-current digital outputs
XP8300	Two high-power SPDT and four high-power SPST relays
XP8400	Eight low-power SPST DIP relays
XP8500	11 channels of 12-bit A/D converters
XP8600	Two channels of 12-bit D/A converters
XP8700	One full-duplex asynchronous RS-232 port
XP8800	One-axis stepper motor control
XP8900	Eight channels of 12-bit D/A converters

Multiple expansion boards may be linked together and connected to a Z-World controller to form an extended system.

Figure F-1 shows the pin layout for the PLCBus connector.



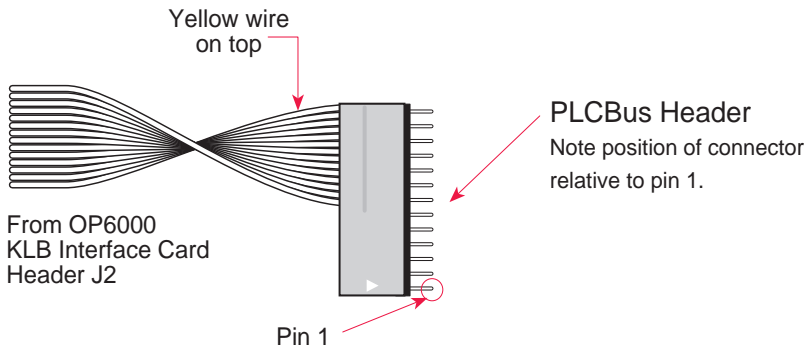
**Figure F-1. PLCBus Pin Diagram**

Two independent buses, the LCD bus and the PLCBus, exist on the single connector.

The LCD bus consists of the following lines.

- LCDX—positive-going strobe.
- /RDX—negative-going strobe for read.
- /WRX—negative-going strobe for write.
- A0X—address line for LCD register selection.
- D0X-D7X—bidirectional data lines (shared with expansion bus).

The LCD bus is used to connect Z-World's OP6000 series interfaces or to drive certain small liquid crystal displays directly. Figure F-2 illustrates the connection of an OP6000 interface to a controller PLCBus.



**Figure F-2. OP6000 Connection to PLCBus Port**

The PLCBus consists of the following lines.

- /STBX—negative-going strobe.
- A1X-A3X—three control lines for selecting bus operation.
- D0X-D3X—four bidirectional data lines used for 4-bit operations.
- D4X-D7X—four additional data lines for 8-bit operations.
- /AT—attention line (open drain) that may be pulled low by any device, causing an interrupt.

The PLCBus may be used as a 4-bit bus (D0X-D3X) or as an 8-bit bus (D0X-D7X). Whether it is used as a 4-bit bus or an 8-bit bus depends on the encoding of the address placed on the bus. Some PLCBus expansion cards require 4-bit addressing and others (such as the XP8700) require 8-bit addressing. These devices may be mixed on a single bus.

There are eight registers corresponding to the modes determined by bus lines A1X, A2X, and A3X. The registers are listed in Table F-2.

**Table F-2. PLCBus Registers**

Register	Address	A3	A2	A1	Meaning
BUSRD0	C0	0	0	0	Read data, one way
BUSRD1	C2	0	0	1	Read data, another way
BUSRD2	C4	0	1	0	Spare, or read data
BUSRESET	C6	0	1	1	Read this register to reset the PLCBus
BUSADR0	C8	1	0	0	First address nibble or byte
BUSADR1	CA	1	0	1	Second address nibble or byte
BUSADR2	CC	1	1	0	Third address nibble or byte
BUSWR	CE	1	1	1	Write data

Writing or reading one of these registers takes care of all the bus details. Functions are available in Z-World’s software libraries to read from or write to expansion bus devices.

To communicate with a device on the expansion bus, first select a register associated with the device. Then read or write from/to the register. The register is selected by placing its address on the bus. Each device recognizes its own address and latches itself internally.

A typical device has three internal latches corresponding to the three address bytes. The first is latched when a matching BUSADR0 is detected. The second is latched when the first is latched and a matching BUSADR1 is detected. The third is latched if the first two are latched and a matching BUSADR2 is detected. If 4-bit addressing is used, then there are three 4-bit address nibbles, giving 12-bit addresses. In addition, a special register address is reserved for address expansion. This address, if ever used, would provide an additional four bits of addressing when using the 4-bit convention.

If eight data lines are used, then the addressing possibilities of the bus become much greater—more than 256 million addresses according to the conventions established for the bus.



Place an address on the bus by writing (bytes) to BUSADR0, BUSADR1 and BUSADR2 in succession. Since 4-bit and 8-bit addressing modes must coexist, the lower four bits of the first address byte (written to BUSADR0) identify addressing categories, and distinguish 4-bit and 8-bit modes from each other.

There are 16 address categories, as listed in Table F-3. An “x” indicates that the address bit may be a “1” or a “0.”

**Table F-3. First-Level PLCBus Address Coding**

First Byte	Mode	Addresses	Full Address Encoding
– – – – 0 0 0 0	4 bits × 3	256	0000 xxxx xxxx
– – – – 0 0 0 1		256	0001 xxxx xxxx
– – – – 0 0 1 0		256	0010 xxxx xxxx
– – – – 0 0 1 1		256	0011 xxxx xxxx
– – – x 0 1 0 0	5 bits × 3	2,048	x0100 xxxxx xxxxx
– – – x 0 1 0 1		2,048	x0101 xxxxx xxxxx
– – – x 0 1 1 0		2,048	x0110 xxxxx xxxxx
– – – x 0 1 1 1		2,048	x0111 xxxxx xxxxx
– – x x 1 0 0 0	6 bits × 3	16,384	xx1000 xxxxxx xxxxxx
– – x x 1 0 0 1		16,384	xx1001 xxxxxx xxxxxx
– – x x 1 0 1 0	6 bits × 1	4	xx1010
– – – – 1 0 1 1	4 bits × 1	1	1011 (expansion register)
x x x x 1 1 0 0	8 bits × 2	4,096	xxxx1100 xxxxxxxx
x x x x 1 1 0 1	8 bits × 3	1M	xxxx1101 xxxxxxxx xxxxxxxx
x x x x 1 1 1 0	8 bits × 1	16	xxxx1110
x x x x 1 1 1 1	8 bits × 1	16	xxxx1111

This scheme uses less than the full addressing space. The mode notation indicates how many bus address cycles must take place and how many bits are placed on the bus during each cycle. For example, the 5 × 3 mode means three bus cycles with five address bits each time to yield 15-bit addresses, not 24-bit addresses, since the bus uses only the lower five bits of the three address bytes.

Z-World provides software drivers that access the PLCBus. To allow access to bus devices in a multiprocessing environment, the expansion register and the address registers are shadowed with memory locations known as *shadow registers*. The 4-byte shadow registers, which are saved at predefined memory addresses, are as follows.

SHBUS0	SHBUS0+1	SHBUS1 SHBUS0+2	SHBUS1+1 SHBUS0+3
Bus expansion	BUSADR0	BUSADR1	BUSADR2

Before the new addresses or expansion register values are output to the bus, their values are stored in the shadow registers. All interrupts that use the bus save the four shadow registers on the stack. Then, when exiting the interrupt routine, they restore the shadow registers and output the three address registers and the expansion registers to the bus. This allows an interrupt routine to access the bus without disturbing the activity of a background routine that also accesses the bus.

To work reliably, bus devices must be designed according to the following rules.

1. The device must not rely on critical timing such as a minimum delay between two successive register accesses.
2. The device must be capable of being selected and deselected without adversely affecting the internal operation of the controller.

## Allocation of Devices on the Bus

### 4-Bit Devices

Table F-4 provides the address allocations for the registers of 4-bit devices.

**Table F-4. Allocation of Registers**

A1	A2	A3	Meaning
000j	000j	xxxj	digital output registers, 64 registers 64 × 8 = 512 1-bit registers
000j	001j	xxxj	analog output modules, 64 registers
000j	01xj	xxxj	digital input registers, 128 registers 128 × 4 = 512 input bits
000j	10xj	xxxj	analog input modules, 128 registers
000j	11xj	xxxj	128 spare registers (customer)
001j	xxxj	xxxj	512 spare registers (Z-World)

j controlled by board jumper

x controlled by PAL

Digital output devices, such as relay drivers, should be addressed with three 4-bit addresses followed by a 4-bit data write to the control register. The control registers are configured as follows

bit 3	bit 2	bit 1	bit 0
A2	A1	A0	D

The three address lines determine which output bit is to be written. The output is set as either 1 or 0, according to D. If the device exists on the bus, reading the register drives bit 0 low. Otherwise bit 0 is a 1.

For digital input, each register (BUSRD0) returns four bits. The read register, BUSRD1, drives bit 0 low if the device exists on the bus.

### **8-Bit Devices**

Z-World's XP8700 and XP8800 expansion boards use 8-bit addressing. Refer to the *XP8700 and XP8800* manual.

## **Expansion Bus Software**

The expansion bus provides a convenient way to interface Z-World's controllers with expansion boards or other specially designed boards. The expansion bus may be accessed by using input functions. Follow the suggested protocol. The software drivers are easier to use, but are less efficient in some cases. Table F-5 lists the libraries.

**Table F-5. Dynamic C PLCBus Libraries**

Library Needed	Controller
DRIVERS.LIB	All controllers
EZIOTGPL.LIB	BL1000
EZIOLGPL.LIB	BL1100
EZIOMGPL.LIB	BL1400, BL1500
EZIOPLC.LIB	BL1200, BL1600, PK2100, PK2200, ZB4100
EZIOPLC2.LIB	BL1700
EZIOBL17.LIB	BL1700
PBUS_TG.LIB	BL1000
PBUS_LG.LIB	BL1100, BL1300
PLC_EXP.LIB	BL1200, BL1600, PK2100, PK2200

There are 4-bit and 8-bit drivers. The 4-bit drivers employ the following calls.

- **void eioResetPlcBus ()**

Resets all expansion boards on the PLCBus. When using this call, make sure there is sufficient delay between this call and the first access to an expansion board.

LIBRARY: **EZIOPLC.LIB, EZIOPLC2.LIB, EZIOMGPL.LIB.**

- **void eioPlcAdr12( unsigned addr )**

Specifies the address to be written to the PLCBus using cycles BUSADR0, BUSADR1, and BUSADR2.

PARAMETER: **addr** is broken into three nibbles, and one nibble is written in each BUSADR<sub>x</sub> cycle.

LIBRARY: **EZIOPLC.LIB, EZIOPLC2.LIB, EZIOMGPL.LIB.**

- **void set16adr( int adr )**

Sets the current address for the PLCBus. All read and write operations access this address until a new address is set.

PARAMETER: **adr** is a 16-bit physical address. The high-order nibble contains the value for the expansion register, and the remaining three 4-bit nibbles form a 12-bit address (the first and last nibbles must be swapped).

LIBRARY: **DRIVERS.LIB.**

- **void set12adr( int adr )**

Sets the current address for the PLCBus. All read and write operations access this address until a new address is set.

PARAMETER: **adr** is a 12-bit physical address (three 4-bit nibbles) with the first and third nibbles swapped.

LIBRARY: **DRIVERS.LIB.**

- **void eioPlcAdr4( unsigned addr )**

Specifies the address to be written to the PLCBus using only cycle BUSADR2.

PARAMETER: **addr** is the nibble corresponding to BUSADR2.

LIBRARY: **EZIOPLC.LIB, EZIOPLC2.LIB, EZIOMGPL.LIB.**

- **void set4adr( int adr )**

Sets the current address for the PLCBus. All read and write operations access this address until a new address is set.

A 12-bit address may be passed to this function, but only the last four bits will be set. Call this function only if the first eight bits of the address are the same as the address in the previous call to **set12adr**.

PARAMETER: **adr** contains the last four bits (bits 8–11) of the physical address.

LIBRARY: **DRIVERS.LIB**.

- **char \_eioReadD0( )**

Reads the data on the PLCBus in the BUSADR0 cycle.

RETURN VALUE: the byte read on the PLCBus in the BUSADR0 cycle.

LIBRARY: **EZIOPLC.LIB, EZIOPLC2.LIB, EZIOMGPL.LIB**.

- **char \_eioReadD1( )**

Reads the data on the PLCBus in the BUSADR1 cycle.

RETURN VALUE: the byte read on the PLCBus in the BUSADR1 cycle.

LIBRARY: **EZIOPLC.LIB, EZIOPLC2.LIB, EZIOMGPL.LIB**.

- **char \_eioReadD2( )**

Reads the data on the PLCBus in the BUSADR2 cycle.

RETURN VALUE: the byte read on the PLCBus in the BUSADR2 cycle.

LIBRARY: **EZIOPLC.LIB, EZIOPLC2.LIB, EZIOMGPL.LIB**.

- **char read12data( int adr )**

Sets the current PLCBus address using the 12-bit **adr**, then reads four bits of data from the PLCBus with BUSADR0 cycle.

RETURN VALUE: PLCBus data in the lower four bits; the upper bits are undefined.

LIBRARY: **DRIVERS.LIB**.

- **char read4data( int adr )**

Sets the last four bits of the current PLCBus address using `adr` bits 8–11, then reads four bits of data from the bus with BUSADR0 cycle.

PARAMETER: `adr` bits 8–11 specifies the address to read.

RETURN VALUE: PLCBus data in the lower four bits; the upper bits are undefined.

LIBRARY: **DRIVERS.LIB**.

- **void \_eioWriteWR( char ch)**

Writes information to the PLCBus during the BUSWR cycle.

PARAMETER: `ch` is the character to be written to the PLCBus.

LIBRARY: **EZIOPLC.LIB**, **EZIOPLC2.LIB**, **EZIOMGPL.LIB**.

- **void write12data( int adr, char dat )**

Sets the current PLCBus address, then writes four bits of data to the PLCBus.

PARAMETER: `adr` is the 12-bit address to which the PLCBus is set.

`dat` (bits 0–3) specifies the data to write to the PLCBus.

LIBRARY: **DRIVERS.LIB**.

- **void write4data( int address, char data )**

Sets the last four bits of the current PLCBus address, then writes four bits of data to the PLCBus.

PARAMETER: `adr` contains the last four bits of the physical address (bits 8–11).

`dat` (bits 0–3) specifies the data to write to the PLCBus.

LIBRARY: **DRIVERS.LIB**.

The 8-bit drivers employ the following calls.

- **void set24adr( long address )**

Sets a 24-bit address (three 8-bit nibbles) on the PLCBus. All read and write operations will access this address until a new address is set.

PARAMETER: `address` is a 24-bit physical address (for 8-bit bus) with the first and third bytes swapped (low byte most significant).

LIBRARY: **DRIVERS.LIB**.

- **void set8adr( long address )**

Sets the current address on the PLCBus. All read and write operations will access this address until a new address is set.

PARAMETER: **address** contains the last eight bits of the physical address in bits 16–23. A 24-bit address may be passed to this function, but only the last eight bits will be set. Call this function only if the first 16 bits of the address are the same as the address in the previous call to **set24adr**.

LIBRARY: **DRIVERS.LIB**.

- **int read24data0( long address )**

Sets the current PLCBus address using the 24-bit address, then reads eight bits of data from the PLCBus with a BUSRD0 cycle.

RETURN VALUE: PLCBus data in lower eight bits (upper bits 0).

LIBRARY: **DRIVERS.LIB**.

- **int read8data0( long address )**

Sets the last eight bits of the current PLCBus address using address bits 16–23, then reads eight bits of data from the PLCBus with a BUSRD0 cycle.

PARAMETER: **address** bits 16–23 are read.

RETURN VALUE: PLCBus data in lower eight bits (upper bits 0).

LIBRARY: **DRIVERS.LIB**.

- **void write24data( long address, char data )**

Sets the current PLCBus address using the 24-bit address, then writes eight bits of data to the PLCBus.

PARAMETERS: **address** is 24-bit address to write to.

**data** is data to write to the PLCBus.

LIBRARY: **DRIVERS.LIB**.

- **void write8data( long address, char data )**

Sets the last eight bits of the current PLCBus address using address bits 16–23, then writes eight bits of data to the PLCBus.

PARAMETERS: **address** bits 16–23 are the address of the PLCBus to write.

**data** is data to write to the PLCBus.

LIBRARY: **DRIVERS.LIB**.







## *APPENDIX G: **BATTERY***

---

Appendix G provides information about the onboard lithium battery.

## **Storage Conditions and Shelf Life**

The battery on the PK2100 will provide approximately 9,000 hours of backup for the real-time clock and static RAM as long as proper storage procedures are followed. Boards should be kept sealed in the factory packaging at room temperature until field installation. The board should not be exposed to extremes of temperature, humidity or contaminants. The backup time is affected by many factors including the amount of time the board is unpowered, size of static RAM, temperature, humidity, and exposure to contaminants including dust and chemicals. Protection against environmental extremes will help maximize battery life.

## **Instructions for Replacing the Lithium Battery**

Use the following steps to replace the battery.

1. Locate the three pins on the bottom side of the printed circuit board that secure it to the board.
2. Carefully de-solder the pins and remove the battery. Use a solder sucker to clean up the holes.
3. Install the new battery and solder it to the board. Use only a CR2354-1GU or equivalent.

## Battery Cautions

- **Caution (English)**

There is a danger of explosion if battery is incorrectly replaced. Replace only with the same or equivalent type recommended by the manufacturer. Dispose of used batteries according to the manufacturer's instructions.

- **Warnung (German)**

Explosionsgefahr durch falsches Einsetzen oder Behandeln der Batterie. Nur durch gleichen Typ oder vom Hersteller empfohlenen Ersatztyp ersetzen. Entsorgung der gebrauchten Batterien gemäß den Anweisungen des Herstellers.

- **Attention (French)**

Il y a danger d'explosion si le remplacement de la batterie est incorrect. Remplacez uniquement avec une batterie du même type ou d'un type équivalent recommandé par le fabricant. Mettez au rebut les batteries usagées conformément aux instructions du fabricant.

- **Cuidado (Spanish)**

Peligro de explosión si la pila es instalada incorrectamente. Reemplace solamente con una similar o de tipo equivalente a la que el fabricante recomienda. Deshágase de las pilas usadas de acuerdo con las instrucciones del fabricante.

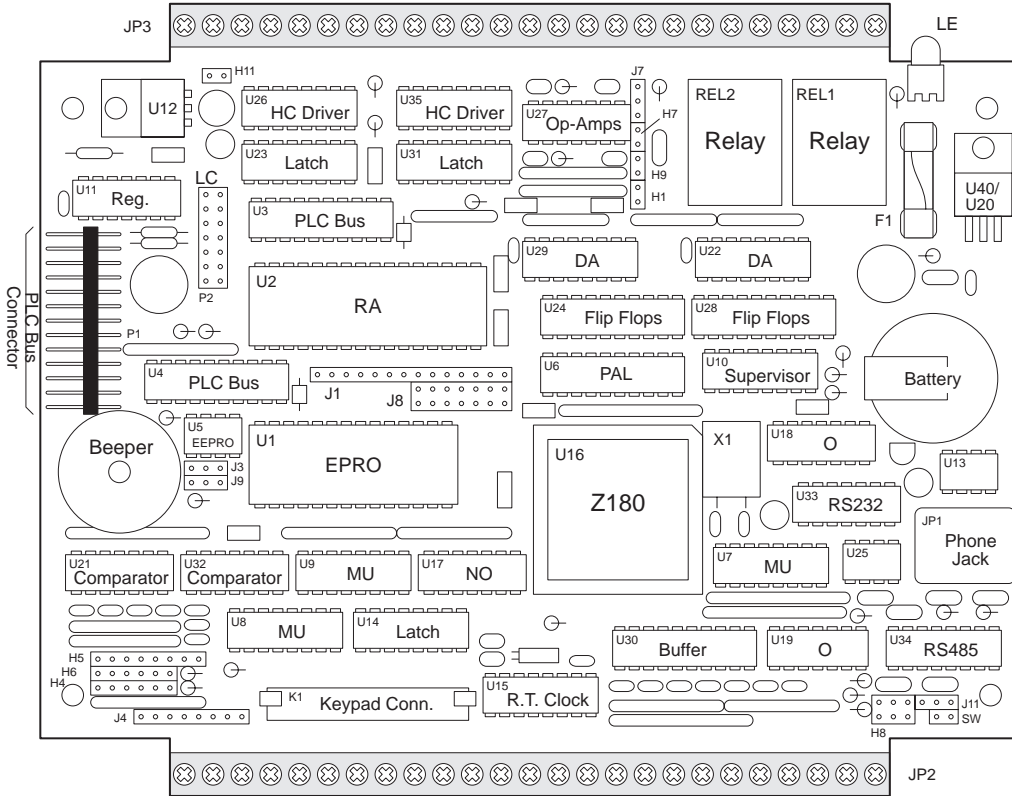
- **Waarschuwing (Dutch)**

Explosiegevaar indien de batterij niet goed wordt vervagen. Vervanging alleen door een zelfde of equivalent type als aanbevolen door de fabrikant. Gebruikte batterijen afvoeren als door de fabrikant wordt aangegeven.

- **Varning (Swedish)**

Explosionsfara vid felaktigt batteribyte. Använd samma batterityp eller en likvärdigt typ som rekommenderas av fabrikanten. Kassera använt batteri enligt fabrikantens instruktion.





**BOARD LAYOUT**



**Symbols**

**#define** ..... 4-3, 4-4  
**#INT\_VEC** ..... D-6  
**#JUMP\_VEC** ..... C-2, D-7  
**/AT** ..... F-3  
**/CTS0** ..... 4-8  
**/RDX** ..... F-2  
**/STBX** ..... F-3  
**/WRX** ..... F-3  
**= (assignment)** ..... A-4  
**\_DMAFLAG0** ..... 5-6  
**\_DMAFLAG1** ..... 5-6  
**12-volt PK2100** ..... 3-3  
**26-pin connector**  
    pin assignments ..... F-2  
**5 × 3 addressing mode** ..... F-4  
**5KEY.LIB** ..... 5-12  
**5KEYCODE.C** ..... 5-12  
**5KEYDEMO.C** ..... 5-12  
**5KEYEXTD.LIB** ..... 5-12  
**5KEYLAD.C** ..... 5-12  
**5KEYLINK.C** ..... 5-12  
**5KEYSCAN.C** ..... 5-12  
**8-bit bus operations** ..... F-3, F-4  
**9th bit**  
    binary protocol ..... 5-14

**A**

**A/D**  
    converters ..... F-2  
    system ..... 5-3  
**A0X** ..... F-3  
**A1X, A2X, A3X** ..... F-3  
**AD+** ..... 3-9, 5-4  
**AD-** ..... 3-9, 5-4  
**ADCDEMO.C** ..... 5-3, 5-12  
**addresses**  
    encoding ..... F-4  
    PLCBus ..... F-3, F-4  
**addressing modes** ..... F-4  
**adjusting potentiometer** ..... 3-5

**amplifier** ..... 5-4  
**analog**  
    Channel 6 ..... 5-3  
    input ..... 3-3, 3-4, 4-3, 4-6,  
        5-2, 5-3, 5-4  
        differential ..... 3-4, 3-8, 5-4  
        high-sensitivity ..... 3-8  
    output ..... 3-4, 3-13, 5-5, 5-6  
    resolution ..... 3-5  
    voltage reference ..... 3-5  
**applications**  
    relays ..... 3-4  
    solenoids ..... 3-4, 3-12  
    stepping motors ..... 3-4  
**asynchronous**  
    serial communication ..... 4-9  
**attention line** ..... F-3  
    interrupt ..... D-8  
**averaging** ..... 5-2

**B**

**background**  
    routine ..... F-5  
**battery**  
    cautions ..... G-3  
    lithium ..... 1-3  
    nickel-cadmium ..... 1-3  
    replacing ..... G-2  
    shelf life ..... B-3, G-2  
**battery-backed**  
    clock ..... 5-7, 5-8  
    RAM ..... 1-3, 1-4, 2-2, C-3  
    real-time clock ..... 1-3  
**baud rate** ..... 2-2, 4-8, A-3, B-3  
**baud rates**  
    serial ports ..... 4-9  
**beeper** ..... 4-3, 4-4, 5-9  
    built-in ..... 3-12  
    volume ..... 4-4  
**bidirectional data lines** ..... F-3

block diagram  
     dimensions ..... B-2  
     PK2100 ..... 3-3, B-2  
 board jumpers ..... 2-2, 3-4, 3-14  
 bridge ..... 3-8, 3-9, 3-10, 3-11  
     resistance ..... 3-4  
 brownout ..... C-2, C-3  
 buffer  
     receive ..... 5-11  
     transmit ..... 5-11  
 built-in  
     beeper ..... 3-12  
     relays ..... 3-12  
 bus  
     control registers ..... F-6  
     expansion ..... 1-2, 3-2, 3-4,  
         3-14, F-2, F-3, F-4, F-6  
         4-bit drivers ..... F-7  
         8-bit drivers ..... F-7  
         addresses ..... F-4  
         devices ..... F-5, F-6  
         functions ..... F-7, F-8  
         rules for devices ..... F-5  
         software drivers ..... F-6  
     LCD ..... F-2  
**BUSADR0** ..... F-4  
**BUSADR1** ..... F-4  
**BUSADR2** ..... F-4  
**BUSADR3** ..... F-7, F-8  
**BUSRD0** ..... F-6, F-7, F-8  
**BUSRD1** ..... F-6, F-7  
**BUSWR** ..... F-7  
**C**  
 C1A ..... 3-7  
 C1B ..... 3-7  
 C2A ..... 3-7  
 C2B ..... 3-7  
 C2B+ ..... 3-7  
 C2B- ..... 3-7  
 calibrated  
     direct drivers ..... 5-3  
     values ..... 5-4, 5-5  
         conversion ..... 5-3, 5-5  
     calibration ..... 1-3, 5-2  
         constants ..... 1-3, 5-3, 5-6  
         input gain ..... 3-9  
         EEPROM ..... E-4  
         software ..... 5-3, 5-5, 5-6  
**CDEMO\_RT.C** ..... 5-12  
 Channel 6 ..... 5-3  
 CKA1 ..... 3-7  
 clamp diodes ..... 3-5  
 clock  
     battery-backed ..... 5-7, 5-8  
     date/time ..... 1-3  
     external ..... 4-9  
     frequency  
         system ..... 4-8, 4-9, A-3  
     millisecond ..... 4-3  
     real-time ..... 1-3, 4-3, 5-8  
     system ..... 4-9  
     time/date ..... 5-7, 5-8, C-2  
 clocked  
     serial I/O ..... D-8  
**CNTLBO** ..... 4-8  
**CNTLB1** ..... 4-8  
 common problems  
     programming errors ..... A-4  
     wrong cables ..... A-2  
     wrong COM port ..... A-2  
 communication  
     Dynamic C ..... D-7  
     function libraries ..... 5-12  
     RS-232 ..... 1-2, 2-2, 2-3, 3-2,  
         3-4, 4-2, 4-8, 5-11  
     RS-485 ..... 1-2, 3-4  
     serial ..... 1-2, 1-4, 2-2, 2-3,  
         3-2, 3-4, 4-2, 4-8,  
         4-9, 4-10, 5-11  
     comparator ..... 3-5  
     components ..... 3-2  
     connect PK2100 to PC ..... 2-3  
     connectors  
         26-pin  
             pin assignments ..... F-2  
         DAC ..... 3-13  
         screw ..... 3-2



constants  
     calibration ..... 3-9, 5-3, 5-6  
 contact protection ..... 3-4  
 contacts  
     closures  
         detecting ..... 3-6  
         multiple ..... 3-6  
         protection ..... 3-4  
         relay ..... 3-11, 5-2  
 control registers ..... F-6  
 conversion  
     calibrated and uncalibrated  
         values ..... 5-3, 5-5  
 count  
     negative-going edges ..... 3-8  
 counter  
     DMA ..... 5-6  
     high-speed ..... 3-6  
     input ..... 3-3, 3-7, 3-8, 5-6, 5-7  
     programmable ..... 3-7  
     virtual timer ..... 4-7  
**CPLC.LIB** ..... 4-6, 5-8, 5-12  
**CSREMOTE.C** ..... 5-14  
 CTS ..... 4-10  
 CTS0 ..... 4-8  
**CUARTREM.C** ..... 5-14  
 current  
     input ..... 5-3  
     loop  
         4-20 mA ..... 1-2, 3-5, 3-13  
     output ..... 5-6  
 cursor  
     positioning ..... 4-4, 4-5  
**CZOREM.C** ..... 5-14

## D

D0X-D7X ..... F-3  
 DAC ..... 3-4, 3-13, 5-5, 5-6  
     external ..... D-4, E-2  
     internal ..... 3-5, 5-6, D-4  
     nonlinearity ..... 5-3  
     output ..... 3-13, 5-5, 5-6  
**DACDEMO.C** ..... 5-12  
 date and time ..... 5-7, 5-8, C-2  
 date/time clock ..... 1-3  
 DCD0 ..... 4-9, 4-10  
     line to ground ..... 4-10  
 detecting contact closures ..... 3-6  
 difference voltage ..... 3-10, 5-4  
 differential  
     analog input ..... 3-4, 3-8, 5-4  
     counter input ..... 3-7  
     input ..... 3-7, 3-10  
**DIGDEMO.C** ..... 5-12  
 DIGIN1, DIGIN2...DIGIN7 ..... 4-6  
 DIGIN1...DIGIN7 ..... 5-2  
 digital input ..... 3-3, 3-4, 3-6, 3-7,  
     4-3, 4-6, 5-2, 5-5, F-6  
 digital output.. 3-12, 4-3, 4-6, 5-2  
**DIGVDVR.C** ..... 5-12  
 diodes  
     protective ..... 3-12  
 DIP relays ..... F-2  
 direct drivers ..... 5-2, 5-3, 5-5  
 display  
     backlighted ..... 1-3  
     liquid crystal ..... 4-3, 4-4, 4-5,  
         5-8, 5-9, 5-10, B-7, F-2  
 dissipation  
     heat ..... B-7, C-3  
     power ..... B-7, C-3  
 DMA  
     channels ..... 3-7, 5-6, 5-7  
         Channel 0 ..... D-8  
         Channel 1 ..... D-8  
     counter  
         high-speed ..... 5-6, 5-7  
         interrupts ..... 5-6, 5-7  
**DMA0Count** ..... 5-6  
**DMA1Count** ..... 5-6  
**DMACOUNT.C** ..... 5-7, 5-12  
**DMASnapShot** ..... 5-7  
 download  
     by monitor program ..... 4-8  
 downloading programs ..... 4-2  
**DREG1** ..... C-2  
 driver software ..... 5-2

- drivers
  - calibrated ..... 5-3
  - direct ..... 5-2, 5-3, 5-5
  - expansion bus ..... F-6
    - 4-bit ..... F-7
    - 8-bit ..... F-7
  - high-current ..... 3-12
  - high-level ..... 5-2
  - high-voltage ..... 4-3
  - indirect ..... 5-2
  - low-level ..... 5-2, 5-3
  - relay ..... F-6
  - virtual ..... 4-2, 4-3, 4-4, 4-5, 4-6, 5-2, 5-4, 5-6, 5-9
    - function library .4-4, 4-5, 4-6
    - variables ..... 4-4
- Dynamic C ..... 4-3
  - communication ..... D-7
  - will not start ..... A-3

## E

- echo option ..... 5-11
- ee\_rd** ..... 5-10
- ee\_wr** ..... 5-10
- eei\_rd** ..... 5-10
- EEPROM . 1-3, 2-2, 3-9, 4-8, 5-3
  - addresses ..... E-2, E-3, E-4
  - calibration ..... E-4
  - read/write ..... 5-10
  - recalibration ..... E-4
  - wrong clock frequency ..... A-3
- EPROM ..... 1-3, 1-4, 4-8
  - flash ..... 1-4
- erasing the LCD screen ..... 4-5
- excitation resistor ..... 3-5
- EXP-A/D12 ..... F-2
- expansion bus ..... 1-2, 3-2, 3-4, 3-14, D-7, F-2, F-3, F-4, F-6
  - 4-bit drivers ..... F-7
  - 8-bit drivers ..... F-7
  - addresses ..... F-4
  - devices ..... F-5, F-6
  - functions ..... F-7, F-8
  - rules for devices ..... F-5

- expansion bus
  - software drivers ..... F-6
- expansion register ..... F-4, F-5, F-7
- external
  - clock ..... 4-8
  - DAC ..... D-4, E-2

## F

- five-key system ..... 4-2
  - driver ..... 5-12
- flash EPROM ..... 5-10
- frequency
  - system clock ..... 4-8, 4-9, A-3
- full C-language programming .. 4-3
- function libraries ..... 5-2, F-4
  - communication ..... 5-12
  - gate programming ..... 4-2
  - virtual driver ..... 4-4, 4-5, 4-6

## G

- gain
  - input ... 3-4, 3-8, 3-9, 3-10, 5-4
- gate programming ..... 4-2, 4-3
- GATE\_P.LIB** ..... 4-2, 5-12
- GATER.C** ..... 4-2, 5-12

## H

- H1 ..... B-4
- H4 ..... B-6
- H5 ..... 5-3, B-6
- H6 ..... 5-3, B-6
- H7 ..... 3-9, 3-10, 5-4, B-4
- H8 ..... B-6
- H9 ..... B-4
- H11 ..... 3-12, B-4
- handshaking ..... 3-4, 3-13
- hardware reset ..... 4-4
- heat dissipation ..... 3-4, B-7, C-3
- high-current
  - drivers ..... 3-12
  - output ..... 3-4
- high-frequency noise ..... 3-5

high-gain input ..... 5-3, 5-4  
 high-level drivers ..... 5-2  
 high-sensitivity analog input ... 3-8  
 high-speed  
   counters ..... 3-6  
   DMA counter ..... 5-6, 5-7  
 high-voltage drivers ..... 4-3  
 hooking up the PK2100 ..... 2-3  
 how to write to flash EPROM 5-10  
 hysteresis . 3-3, 3-4, 4-6, 5-2, 5-4

## I

### I/O

  devices ..... D-2  
 interfaces ..... 3-2, 5-2  
 map ..... D-2  
 space ..... D-2  
 types ..... 3-2  
 illegal instruction interrupt ..... D-7  
 indirect drivers ..... 5-2  
 inductive spikes ..... 3-13  
 initial PK2100 setup ..... 2-2  
 inport ..... 4-8, C-2, F-7, F-8  
 input  
   analog ..... 3-3, 3-4, 4-3, 4-6,  
     5-2, 5-3, 5-4  
   differential ..... 3-4, 3-8, 5-4  
   high sensitivity ..... 3-8  
   counter . 3-3, 3-7, 3-8, 5-6, 5-7  
   current ..... 5-3  
   differential counter ..... 3-7  
   digital ..... 3-3, 3-4, 3-6, 3-7,  
     4-3, 4-6, 5-2, 5-5, F-6  
   high-gain ..... 5-3, 5-4  
   universal ..... 3-3, 3-4, 3-8, 4-3,  
     4-6, 5-2, 5-3, 5-4, 5-5  
 input sensitivity ..... 3-8  
 input/output interfaces 3-2, 3-3, 5-2  
**INT0** ..... D-8  
**INT1** ..... D-8  
**INT2** ..... D-8  
   interrupts ..... 5-8, D-8  
 interface  
   I/O ..... 3-2, 5-2

interface  
   universal ..... 3-4, 3-5  
 intermediate variables ..... 5-2  
 internal  
   DAC ..... 3-5, 5-6  
   programmable counter .. 3-7, 5-4  
 interrupt-driven driver ..... 4-10  
 interrupts ..... 4-6, 4-10, D-6, D-7,  
   F-3, F-5  
   and LCD ..... 4-5  
   attention line ..... D-8  
   DMA ..... 5-6, 5-7  
   illegal instruction ..... D-8  
**INT2** ..... 5-8  
 nonmaskable 1-3, C-2, C-3, D-  
   7  
 power failure ..... 1-3, C-2, C-3,  
   D-7  
 routines ..... 3-7, 5-2, 5-6, C-2,  
   C-3, D-7, F-5  
 serial ..... D-7  
 T0 output ..... D-8  
 vectors ..... 4-9, D-7  
 virtual driver ..... 4-3  
 invoking the virtual driver 4-3, 4-4

## J

J1 ..... B-5  
 J3 ..... B-5  
 J4 ..... 2-2, B-6  
 J7 ..... 3-13, 5-5, B-4  
 J8 ..... B-5  
 J9 ..... B-5  
 J11 ..... 4-8, B-5  
 jump vectors ..... D-7  
 jumpers ..... 2-2, 3-4, 3-5, 3-14  
   board ..... B-4  
   H1 ..... B-4  
   H4 ..... B-6  
   H5 ..... 5-3, B-6  
   H6 ..... 5-3, B-6  
   H7 ..... 3-9, 3-10, 5-4, B-4  
   H8 ..... B-6  
   H9 ..... B-4  
   H11 ..... B-4

jumpers  
 J1 ..... B-5  
 J3 ..... B-5  
 J7 ..... 3-13, 5-5, B-4  
 J8 ..... B-5  
 J9 ..... B-5  
 J11 ..... 4-7, B-5  
 program-readable ..... 2-2, B-6

## K

K ..... 3-13  
 K terminal ..... 3-13  
 kernel  
   real-time ..... 4-3, 4-4, 5-8  
 keypad ..... 1-2, 2-2, 4-3, 5-8, 5-9,  
   B-6  
   and operation modes ..... 2-2  
**KEYREQUEST** ..... 4-4

## L

**lc\_char** ..... 5-8  
**lc\_cmd** ..... 5-8  
**lc\_ctrl** ..... 5-8  
**lc\_init** ..... 5-8  
**lc\_init\_keypad** ..... 5-8  
**lc\_init\_timer1** ..... 5-9  
**lc\_kxget** ..... 5-9  
**lc\_kxinit** ..... 5-9  
**lc\_nl** ..... 5-9  
**lc\_pos** ..... 5-9  
**lc\_printf** ..... 5-9  
**lc\_setbeep** ..... 5-9  
**lc\_wait** ..... 5-10  
**lc\_wdogarray** ..... 4-4  
 LCD ..... 1-2, 4-3, 4-4, 4-5, 5-8,  
   5-9, 5-10, B-7, F-2  
   cursor ..... 4-4, 4-5  
   erasing the screen ..... 4-5  
   low-temperature ..... B-7  
   restoring the screen ..... 4-5  
   row and column numbers ..... 4-5  
   saving the screen ..... 4-5  
   token ..... 4-5

LCD bus ..... F-2  
**lcd\_erase()** ..... 4-5  
**lcd\_erase\_line** ..... 4-5  
**lcd\_printf** ..... 4-4, 4-5  
**lcd\_resscrn** ..... 4-5  
**lcd\_savscrn** ..... 4-5  
 LCDX ..... F-2  
 leap year ..... 5-7  
 LED ..... C-2  
 libraries

  function ..... 5-2, F-4  
   communications ..... 5-12  
   gate programming ..... 4-2  
   virtual driver ..... 4-4, 4-5, 4-6  
 liquid crystal display ..... 1-2, 4-3,  
   4-4, 4-5, 5-8, 5-9, 5-10,  
   B-7, F-2  
 lithium battery ..... 1-3, C-2, G-2  
 LM1014 ..... 3-10  
 LM324 ..... 3-10  
 LM339A ..... 3-5  
 load resistor ..... 5-3  
 low-level drivers ..... 5-2, 5-3  
 low-temperature LCD ..... B-7

## M

master/slave communication .. 5-12  
 MC1413B ..... 3-13  
 memory  
   battery-backed ..... 1-3, 1-4, 2-2,  
   C-3  
 memory-mapped I/O register .....  
   ..... F-3, F-4  
 metal-oxide varistors ..... 3-12  
 millisecond clock ..... 4-3  
**mtime** ..... 5-8  
**mktm** ..... 5-8  
 modem option ..... 5-12  
**MODEM232.LIB** ..... 5-12  
 modes  
   addressing ..... F-4  
   operation ..... 2-2  
 monitor program ..... 4-8  
 MOVs ..... 3-12

## N

**N\_WATCHDOG** ..... 4-4  
**NETWORK.LIB** ..... 5-12  
nickel-cadmium battery ..... 1-3  
NMI ..... 1-3, C-2, C-3, D-8  
**NMI\_VEC** ..... C-2, D-7  
**NOLCD** ..... 4-3  
nonlinearity  
    DAC ..... 5-3  
nonmaskable interrupts .... 1-3, C-2,  
    C-3, D-8  
**NOTIMERS** ..... 4-3  
**NONUNIVERSAL** ..... 4-3

## O

O1–O7 ..... 3-12  
O8–O10 ..... 3-12, 3-13  
OMCR ..... D-3  
op-amp ..... 3-10  
open-collector transistor outputs 3-6  
operation  
    modes ..... 2-2  
    use of keypad ..... 2-2  
    temperature ..... B-7  
Operation Mode Control Register  
    D-3  
operational amplifier ..... 3-4, 3-10  
opto 22 9th-bit binary protocol 5-14  
OUT1, OUT2...OUT10 ..... 4-6  
OUT1...OUT10 ..... 5-2  
outport ..... 4-8, F-7, F-8  
**OUTDEMO.C** ..... 5-12  
output  
    analog ..... 3-4, 3-13, 5-5, 5-6  
    calibrated ..... 5-5  
    current ..... 5-5  
    DAC ..... 5-5, 5-6  
    digital ..... 3-12, 4-3, 4-6, 5-2  
    high-current ..... 3-4  
    LCD ..... 4-5  
    relay ..... 3-4, 3-11, 4-6, 5-2  
    RS-232 ..... 3-2, 3-4, 4-2, 5-11  
    RS-485 ..... 3-4

output

    serial ..... 3-2, 3-4  
    voltage ..... 5-5, 5-6  
**OUTVDVR.C** ..... 5-12  
overload ..... C-2  
    protection ..... 3-5, 3-6

## P

phone jack ..... 4-8  
PK2100  
    12-volt ..... 3-3  
    block diagram ..... 3-3  
    hookup ..... 2-3  
    ports ..... 4-2  
PLCBus ..... 3-2, 3-4, 3-14, 5-11,  
    D-7, F-2, F-3, F-4, F-5, F-6  
4-bit operations ..... F-3, F-4  
8-bit operations ..... F-3, F-4  
addresses ..... F-3, F-4  
reading data ..... F-3, F-4  
writing data ..... F-3, F-4  
ports  
    PK2100 ..... 4-2  
    serial ..... 1-4, 4-7, 4-8, 4-10  
        asynchronous ..... 4-9  
        baud rate ..... 4-9  
        interrupt-driven ..... 4-9  
        multiprocessor communica-  
        tions feature ..... 4-9  
        polling ..... 4-9  
        RS-232 ..... 3-4, 3-14 4-14  
        RS-485 ..... 3-4, 3-14, 4-14  
positioning the cursor ..... 4-5  
power dissipation ..... B-7, C-3  
    formula ..... C-3  
power failure interrupts ..... 1-3,  
    C-2, C-3, D-7  
power supply ..... 3-13  
power supply regulators ..... C-3  
**printf** ..... 4-5  
printing ..... 4-5  
program-readable jumpers ..... B-6  
programmable counter ..... 3-7  
programming ..... 1-4, 4-2

- programming
    - Full C ..... 4-3
    - gate ..... 4-2, 4-3, 5-12
  - programs
    - downloading ..... 4-2
    - uploading ..... 4-2
  - protective diodes ..... 3-12
  - PRT ..... 3-7
    - Timer Channel 0 ..... D-8
  - PRTODEMO.C** ..... 5-12
  - pulse measurement ..... 3-8
  - pulse width measurement ..... 3-3
- ## R
- RAM
    - battery-backed ..... 1-3, 1-4, 2-2, C-3
  - raw values ..... 5-4, 5-5, 5-6
  - read-only memory ..... 1-3, 1-4, 2-2, 3-9, 5-3, 5-10
  - read12data** ..... F-7
  - read24data** ..... F-8
  - read4data** ..... F-7
  - read8data** ..... F-8
  - reading data on the PLCBus ..... F-3, F-4
  - READIO.C** ..... 5-12
  - READKEY.C** ..... 5-12
  - real-time
    - clock ..... 1-3, 4-3, 5-8
    - kernel ..... 4-3, 4-4, 5-8
  - recalibration
    - EEPROM ..... E-4
  - receive buffer ..... 5-11
  - receiver interrupt ..... 4-10
  - regulated input voltage ..... C-2
  - RELAY1, RELAY2 ..... 4-6, 5-2
  - relays ..... 3-4
    - built-in ..... 1-2, 3-12
    - contacts ..... 3-11
    - DIP ..... F-2
    - drivers ..... F-6
    - external ..... 1-2
    - output ..... 3-4, 3-10, 4-6, 5-2
  - reset
    - system ..... C-2, C-3
  - resistance bridge ..... 3-4
  - resistor
    - excitation ..... 3-5
    - load ..... 5-3
  - restore
    - LCD screen ..... 4-5
  - ROM ..... 1-3
    - flash ..... 5-10
    - programmable ..... 1-3, 1-4, 2-2, 3-9, 5-3, 5-10
  - RR ..... 3-5
  - RS-232
    - communication ..... 1-2, 2-2, 2-3, 3-2, 3-4, 4-2, 4-8, 5-11
    - expansion card ..... 5-11
    - serial output ..... 3-2, 3-4, 4-2, 5-11
    - serial port ..... 3-4, 3-14
  - RS-485
    - communication ..... 1-2, 3-4
    - serial output ..... 3-4
    - serial port ..... 3-4, 3-14
  - RS232.C** ..... 5-14
  - RS485.C** ..... 5-14
  - RTK ..... 4-4
  - RTS ..... 4-9
  - RUNKERNEL** ..... 4-4
  - RX- ..... 3-2
  - RX+ ..... 3-2
- ## S
- sample programs ..... 5-2, 5-7
    - gate programming ..... 4-2
    - virtual driver ..... 4-4
  - VWDOG.C** ..... 4-4
  - save
    - LCD screen ..... 4-5
  - SCAN.C** ..... 4-2, 5-12
  - SCANBLK.C** ..... 5-12
  - screw connectors ..... 3-2, B-7
  - screw terminals ..... 3-2, B-7
  - Serial Channel 0
    - block diagram ..... 4-9

Serial Channel 1 ..... 4-9  
 serial communication ..... 1-2, 1-4,  
     2-2, 2-3, 3-2, 3-4, 4-2,  
     4-8, 4-9, 4-10, 5-10  
 serial  
     interrupt ..... D-8  
     output ..... 3-2, 3-4  
 serial ports ..... 1-4, 4-7, 4-8, 4-10  
     asynchronous ..... 4-9  
     baud rate ..... 4-9  
     interrupt-driven ..... 4-9  
     low-level utility functions .... 4-8  
     multiprocessor communications  
         feature ..... 4-9  
     polling ..... 4-9  
     Serial Port 0 ..... D-8  
     Serial Port 1 ..... D-8  
 services  
     virtual driver ..... 4-3, 4-4  
**set12adr** ..... F-7  
**set16adr** ..... F-7  
**set24adr** ..... F-7  
**set32adr** ..... F-7  
**set4adr** ..... F-7  
**set8adr** ..... F-8  
 setup  
     initial ..... 2-2  
 shadow registers ..... F-4  
**SHBUS0** ..... F-4  
**SHBUS1** ..... F-4  
 shutdown ..... C-2  
 software  
     calibration ..... 5-3, 5-5, 5-6  
     downloading ..... 4-8  
     libraries ..... 4-2, 4-4, 4-5,  
         4-6, 5-2, 5-12, F-4  
     timers ..... 4-3  
 solenoids ..... 3-4  
 source (C term) ..... A-4  
 stepping motors ..... 3-4  
**struct tm** ..... 5-7  
 support libraries ..... 5-12  
**sysclock** ..... 4-8  
 system  
     clock ..... 4-9  
     frequency ..... 4-8, 4-9, A-3  
     system reset ..... C-2, C-3

## T

T0 output interrupt ..... D-8  
**T1IN** ..... 4-7  
**T1IN, . . . T10IN** ..... 4-7  
**T1O** ..... 4-7  
 T1O, . . . T10O ..... 4-7  
**T1RLD** ..... 4-7  
**T1RLD, . . . T10RLD** ..... 4-7  
 TC8250 ..... 5-7, 5-8  
 TDRE ..... 4-10  
 temperature  
     constraints ..... B-7  
     drift ..... 3-10  
 terminals  
     screw ..... 3-2  
 thermistor ..... 3-5  
 ticks  
     25-ms ... 4-3, 4-4, 4-6, 5-2, 5-4  
 time and date ..... 5-7, 5-8, C-2  
 time/date clock... 1-3, 5-7, 5-8, C-2  
 timer  
     virtual ..... 4-3, 4-7  
     watchdog ..... 1-3, 4-4, 4-8, C-3  
         virtual ..... 4-3, 4-4, 5-9  
 timer1 ..... 5-8, 5-9  
**tm** ..... 5-7, 5-8  
**tmc\_rd** ..... 5-8  
**tmc\_wr** ..... 5-8  
 token  
     LCD ..... 4-5  
 Toshiba ..... 5-7, 5-8  
 transmit buffer ..... 5-11  
 transmitter interrupt ..... 4-10  
 trap ..... D-8  
 troubleshooting  
     baud rate ..... A-3  
     com port ..... A-3  
     communication mode ..... A-3  
     memory size ..... A-3

## U

U1HIGH ..... 5-5  
U1HIGH, U2HIGH, ...  
    U5HIGH, U6HIGH ..... 4-6  
U1IN ..... 5-4, 5-5  
U1IN, U2IN, ... U5IN, U6IN  
    ..... 4-6  
U1LOW ..... 5-5  
U1LOW, U1HIGH, ... U6LOW,  
    U6HIGH ..... 4-6  
U26 ..... 3-12  
U35 ..... 3-12, 3-13  
UART232.C ..... 5-14  
UART232.LIB ..... 5-12  
UEXP ..... 3-4, 3-5, 3-13, 5-3,  
    5-5, 5-6  
UINVDVR.C ..... 5-12  
ULN2003 ..... 3-13  
uncalibrated values .... 5-4, 5-5, 5-6  
    conversion ..... 5-3, 5-5  
Universal Channel 6 ..... 5-3  
universal  
    input ..... 3-3, 3-4, 3-7, 3-8, 4-3,  
        4-6, 5-2, 5-3, 5-4, 5-5  
    interface ..... 3-4, 3-5  
unregulated input voltage ..... C-2  
up\_adcal ..... 5-3  
up\_adrd ..... 5-3, 5-4  
up\_adtest ..... 5-4  
up\_beep ..... 4-4  
up\_beepvol ..... 4-4  
up\_dac420 ..... 5-5  
up\_daccal ..... 5-5  
up\_dacout ..... 5-5  
up\_digin ..... 5-2  
up\_docal ..... 5-3, 5-4  
up\_expout ..... 5-6  
up\_higain ..... 3-10, 5-4  
up\_in420 ..... 5-3  
up\_setout ..... 5-2  
up\_uncal ..... 5-3, 5-4, 5-5  
uplc\_init ..... 4-4  
uploading programs ..... 4-2  
UREADIO.C ..... 5-12

## V

virtual driver .... 3-4, 4-2, 4-3, 4-4,  
    4-5, 4-6, 4-7, 5-2, 5-4, 5-6, 5-9  
    function library ..... 4-4, 4-6  
    invoking ..... 4-3, 4-4  
    sample programs ..... 4-4  
    services ..... 4-3, 4-4  
    variables ..... 4-4  
virtual timer ..... 4-3, 4-6  
    watchdog timer ..... 4-3, 4-4, 5-9  
voltage  
    divider ..... C-2  
    output ..... 5-5, 5-6  
volume  
    beeper ..... 4-4  
VWDOG.C ..... 4-4, 5-12

## W

watchdog timer .. 1-3, 4-4, 4-8, C-3  
    virtual ..... 4-3, 4-4, 5-9  
write12data ..... F-7  
write24data ..... F-8  
write4data ..... F-7  
write8data ..... F-8  
writing data on the PLCBus .....  
    ..... F-3, F-4

## X

XP8200 ..... F-2  
XP8300 ..... F-2  
XP8400 ..... F-2  
XP8600 ..... F-2  
XP8700 ..... F-2, F-3

## Z

Z0232.LIB ..... 5-12  
Z180  
    Port 0 ..... 5-11  
    Port 1 ..... D-6  
    Technical Manual ..... 4-7  
z180baud ..... 4-8  
Z80 SIO Technical Manual ..... 4-8  
Zilog Inc. .... 4-8





## **Z-World**

2900 Spafford Street  
Davis, California 95616-6800, U.S.A.

Telephone: (530) 757-3737  
Facsimile: (530) 753-5141  
24-Hour FaxBack: (530) 753-0618  
Web Site: <http://www.zworld.com>  
E-Mail: [zworld@zworld.com](mailto:zworld@zworld.com)

Part No. 019-0024-02  
Revision 2.0

