

FRONTEND 4012 FY5

3X 0971

3x 1099

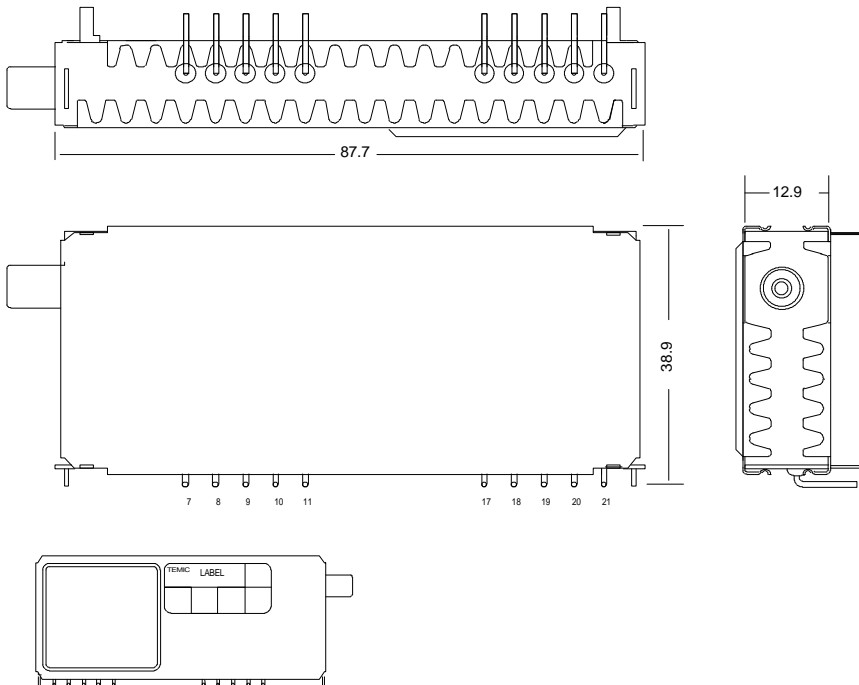
TARGET - SPECIFICATION ELECTRICAL DATA

1. Description:

The frontend 4012 FY5 is specially designed for multimedia applications. Reception standard is D/K. The frontend includes a hyperband tuner which covers the frequency range from 48 to 865 MHz and an IF-part with SAW-filter, IF-amplifier, video and sound demodulator. So the CVBS signal is available at the video output terminal, the audio signal (mono) at the audio output terminal. Also a 2nd IF output is provided, which allows external sound demodulation for stereo reception.

The reception frequency range is divided in VHF low, VHF high and UHF. Bandselection and tuning is done via I²C-bus, completely.

Also a digital AFC-function can be realized, because the AFC-voltage, generated by the IF-demodulator is fed to an analog/digital converter which is included in the PLL-IC and readable via I²C-bus.



PIN	
4	
5	
6	
7	SUPPLY VOLTAGE VS2 33V
8	SUPPLY VOLTAGE VS1 FOR TUNER 5V
9	IIC BUS SIGNAL SCL
10	IIC BUS SIGNAL SDA
11	ADDRESS SELECTION FOR IIC BUS
12	
13	
14	
15	
16	
17	NOT CONNECTED
18	2nd IF
19	VIDEO OUTPUT CVBS
20	SUPPLY VOLTAGE VS1 FOR IF PART 5V
21	AF1 SOUND OUTPUT

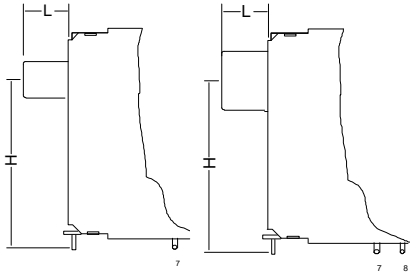
2. Mechanical Characteristics:

2.1. Dimensions:

according drawing 3X 0971GZ

2.2. Weight: ca. 51 g

2.3. Types



Tunertyp	3X 0971	3X 1099
Sockettyp	MINI PHONO	IEC
Socketlength	8.5 mm	14.0 mm
Height	29.1 mm	29.1 mm

3. Working Data:

3.1. Reception Standard:

D/K

3.2. Frequency Range:

VHF low	ch DS-1 ...	Z-4	49.75 MHz ... 136.25 MHz
VHF high	ch Z-5 ...	Z-37	144.25 MHz ... 456.25 MHz
UHF	ch DS-13 ...	DS-57	471.25 MHz... 863,25 MHz

Margin:

VHF low	ch DS-1 ...	Z-4	-2 MHz / +5 MHz
VHF high	ch Z-5 ...	Z-37	-4 MHz / +8 MHz
UHF	ch DS-13 ...	DS-57	-8 MHz / +3 MHz

IF:

picture carrier:	38.00 MHz
sound carrier 1:	31.50 MHz

Oscillator operates above received frequency.

3.3. Supply voltage:

Supply voltage V_{S1}	5 V +/- 5%	max. 200 mA
Supply voltage V_{S2}	33V +/- 5%	max. 1.7 mA

3.4. Input impedance:

VHF/UHF common	75 Ω , unbalanced
----------------	--------------------------

3.5. Temperature:

(measured in slowly moved air)

Operating temperature:	0 ... 60 °C
Storage temperature:	-25 ... 60 °C

4. Test conditions:

If not otherwise noticed all data are hold under following conditions:

Measurement tolerance:	10 % or 1 dB
Ambient temperature:	25 °C +/- 3°
Supply voltages:	V_{S1}, V_{S2} +/- 5%

5. Tuner Data:

5.1. Voltage Gain:

Voltage gain is measured between antenna input and IF1-Mp and IF2-Mp.
For this measurement the input is loaded with 75 Ω , the output is loaded with a test circuit according diagram.

	min.	typ.	max.	unit
ch DS-1 ... ch DS-57		40	52	dB

5.2. Noise Figure:

VHF low	8.0	dB
VHF high	8.0	dB
UHF	10.0	dB

5.3. VSWR:

VHF low	4.0
VHF high	4.0
UHF	4.0

Referred to channel center frequency.

5.4. AGC-Range:

	min.	typ.	max.	unit
VHF low	50			dB
VHF high	45			dB
UHF	40			dB

5.5. IF-Rejection:

	min.	typ.	max.	unit
VHF low	50			dB
VHF high	60			dB
UHF	60			dB

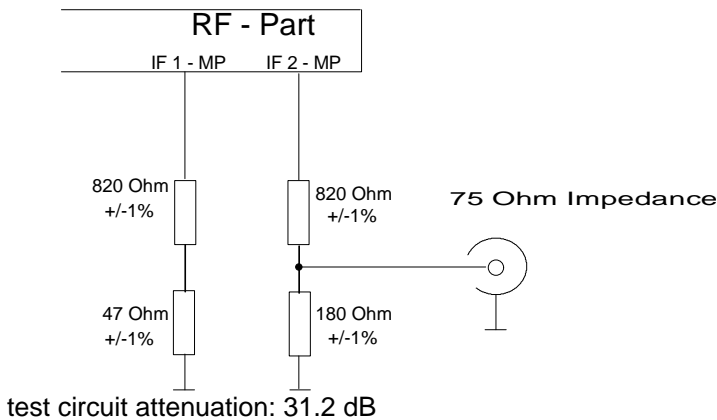
5.6. Image-Rejection:

	min.	typ.	max.	unit
ch DS-1 ... Z-4	60			dB
ch Z-5 ... Z-37	60			dB
ch DS-13 ... DS-57	50			dB

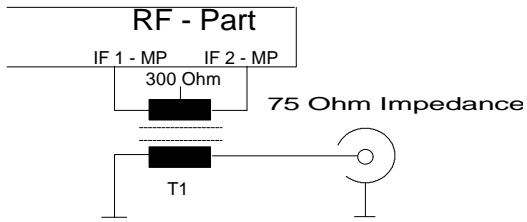
5.7. RF Tilt:

The amplitude difference between top of frequency response curve and any frequency between picture and sound carrier will not exceed 4 dB at nominal gain.

5.8. Test circuit for voltage gain:



5.9. Test circuit for noise figure:



6. Output parameter:

6.1. Video output:

Output signal type: CVBS

Conditions:	Testsignal	min.	typ.	max.	unit
Ant. input level 66 dB μ V 12.5% residual carrier					
CVBS - Output level:		1.7	2	2.3	V (p-p)
Sync bottom dc level:			1.35		V
Load impedance		1			k Ω
Load capacitance				20	pF
Video S/N (unweighted):					
VHF	Quiet line	43			dB
UHF (70dB μ V input level)	43			dB	
Frequency response:	(sin x)/x				
Ref.: 0.2 MHz					
1 MHz		-1.5		1.0	dB
2 MHz		-2.0		2.0	dB
3 MHz		-2.5		2.5	dB
4 MHz		-4.0		2.0	dB
4.43 MHz		-6.0		1.0	dB
5 MHz			-5		dB
Differential gain	Modulated 5 step staircase				6 % (p-p)
Differential phase	Modulated 5 step staircase			5	$^{\circ}$ (p-p)

6.2. Sound output:

Conditions: Ant.input level: 66 dB μ V Video signal: color bar PC / SC : 10dB	Testsignal AF1: 1kHz, 27 kHz deviation, 50 μ s preemphasis	min.	typ.	max.	unit
Output level AF1:	AC DC		1.2 2.0		V (p-p) V
Load impedance:		1.5			k Ω
Measurements with 50 μ s deemphasis:					
AF1 - level :		260	310	360	V rms
THD :				0.4	%
S/N (CCIR weighted) :		44			dB
Frequency response: (6 kHz deviation) 40 Hz ... 15 kHz		-1		1	dB

6.3. 2nd IF output

AC level of 6.5 MHz:		80		mV (p-p)
Load impedance		0.5		k Ω

Note: Short circuit at pin 18,19 or 21 can damage internal circuits.

7. I²C bus

7.1 Write data format

	MSB							LSB	
Address byte	1	1	0	0	0	MA1	MA0	R/W	A
Divider byte 1	0	n14	n13	n12	n11	n10	n9	n8	A
Divider byte 2	n7	n6	n5	n4	n3	n2	n1	n0	A
Control byte 1	1	CP	T2	T1	T0	RSA	RSB	OS	A
Control byte 2	P7	P6	P5	P4	P3	P2	P1	P0	A

A : Acknowledge

7.1.1 Address selection

R/W : Read / Write mode 0 : Write mode

MA1	MA0	Address	Voltage at Pin 11
0	0	C0	$(0 \text{ to } 0.1) * V_{S1}$
0	1	C2	always valid
1	0	C4	$(0.4 \text{ to } 0.6) * V_{S1}$
1	1	C6	$(0.9 \text{ to } 1) * V_{S1}$

7.1.2 Oscillator frequency and divider byte calculation:

n14, ... n0 Divider bits (**Scaling Factor**)

$f_{osc} = f_w + 38.0 \text{ MHz}$ (f_{osc} : Local oscillator frequency; f_w : wanted frequency)

SF = $f_{osc} / (f_{ref} * 8)$ (f_{ref} : Reference divider)

RSA	RSB	Reference divider	Min. tuning step [kHz]	f_{ref} [kHz]
1	1	512	62.5	7.8125
X	0	640	50.0	6.25
0	1	1024	31.25	3.90625

$$\mathbf{SF} = 16348 * n14 + 8192 * n13 + 4096 * n12 + 2048 * n11 + 1024 * n10 + 512 * n9 + 256 * n8 + 128 * n7 + 64 * n6 + 32 * n5 + 16 * n4 + 8 * n3 + 4 * n2 + 2 * n1 + n0$$

7.1.3 Control byte settings

Control byte 1 :

CP :	Charge pump	1 :	fastest tuning
T2 :	Test mode bit	0 :	normal mode
T1 :	Test mode bit	0 :	normal mode
T0 :	Test mode bit	1 :	normal mode
RSA :	Reference divider		according 7.1.2
RSB :	Reference divider		according 7.1.2
OS :	PLL disabling	0 :	normal mode

Control byte 2 (Bandselection) :

Frequency Table CHINA Channels

VHF low channel no.	PC (MHz)	SC (MHz)	UHF channel no.	PC (MHz)	SC (MHz)
DS-1	49,75	56,25	DS-13	471,25	477,75
DS-2	57,75	64,25	DS-14	479,25	485,75
DS-3	65,75	72,25	DS-15	487,25	493,75
DS-4	77,25	83,75	DS-16	495,25	501,75
DS-5	85,25	91,75	DS-17	503,25	509,75
Z-1	112,25	118,75	DS-18	511,25	517,75
Z-2	120,25	126,75	DS-19	519,25	525,75
Z-3	128,25	134,75	DS-20	527,25	533,75
Z-4	136,25	142,75	DS-21	535,25	541,75
			DS-22	543,25	549,75
			DS-23	551,25	557,75
			DS-24	559,25	565,75
			DS-25	607,25	613,75
			DS-26	615,25	621,75
			DS-27	623,25	629,75
			DS-28	631,25	637,75
			DS-29	639,25	645,75
			DS-30	647,25	653,75
			DS-31	655,25	661,75
			DS-32	663,25	669,75
			DS-33	671,25	677,75
			DS-34	679,25	685,75
			DS-35	687,25	693,75
			DS-36	695,25	701,75
			DS-37	703,25	709,75
			DS-38	711,25	717,75
			DS-39	719,25	725,75
			DS-40	727,25	733,75
			DS-41	735,25	741,75
			DS-42	743,25	749,75
			DS-43	751,25	757,75
			DS-44	759,25	765,75
			DS-45	767,25	773,75
			DS-46	775,25	781,75
			DS-47	783,25	789,75
			DS-48	791,25	797,75
			DS-49	799,25	805,75
			DS-50	807,25	813,75
			DS-51	815,25	821,75
			DS-52	823,25	829,75
			DS-53	831,25	837,75
			DS-54	839,25	845,75
			DS-55	847,25	853,75
			DS-56	855,25	861,75
			DS-57	863,25	869,75

Additional receivable Channel:

VHF high	SR5	143.25	149.75
----------	-----	--------	--------

The Frontend is able to cover China- and OIRT channels.