

Mini-ITX Series

VIA EPIA M

Mini-ITX C3®/Eden™ Board
with DDR266, 1394 &
MPEG-2 Support

Features

- Integrated VIA UniChrome™ AGP graphics with MPEG-2 decoding acceleration
- Two onboard IEEE 1394 pin headers
- Onboard Floppy pin header
- Supports LVDS/DVI (an add-on card is required)
- Supports TV Out
- Supports six-channel audio



Board Placement

PS2 KB/MS

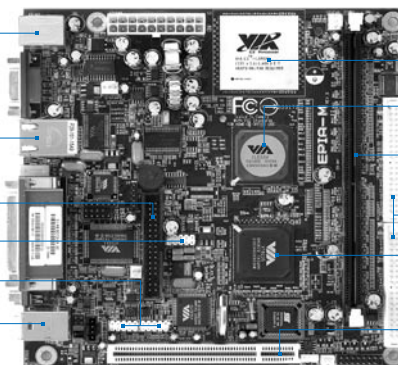
10/100 Mbps Ethernet

Floppy

USB 2.0

IEEE 1394

Audio Jacks/VIA Smart5.1
Surround Sound



VIA C3®/Eden™ processor

VIA CLE266 North Bridge

DDR266 SDRAM DIMM

2 x IDE ATA 133/100

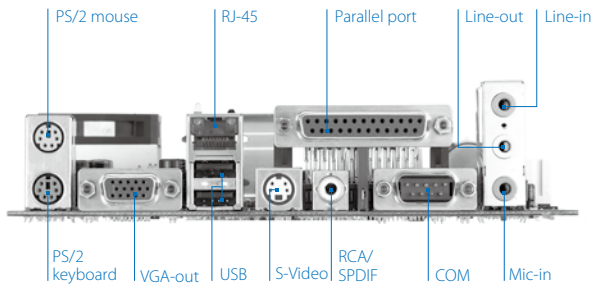
VIA VT8235M South Bridge

PCI

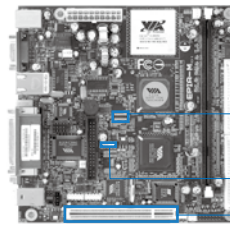
Specifications

Model Name	EPIA M10000G	EPIA ME6000G
Processor	1.0GHz VIA C3®	600MHz VIA fanless Eden™
Chipset	VIA CLE266 North Bridge VIA VT8235M South Bridge	
System Memory	1 x DDR266 DIMM socket Up to 1GB memory size	
VGA	Integrated VIA UniChrome™ AGP graphics with MPEG-2 decoding acceleration	
Expansion Slot	1 x PCI slot	
Onboard IDE	2 x UltraDMA 133/100/66 connectors	
Onboard Floppy	1 x Floppy connector	
Onboard LAN	1 x VIA VT6103 10/100 Mbps Ethernet PHY	
Onboard Audio	VIA VT1616 6-channel AC'97 Codec	
Onboard TV Out	VIA VT1622M TV out	
Onboard IEEE1394	VIA VT6307S IEEE1394 Firewire	
Onboard I/O Connectors	1 x USB connector for 2 additional USB 2.0 ports 2 x IEEE1394 connectors 1 x Serial port connector for a second COM port 1 x Buzzer 1 x FIR connector 1 x CIR connector (switchable for KB/MS) 1 x Wake-on LAN connector 1 x SMBus connector 1 x LVDS/DVI connector, for 24-bit dual channel LVDS panel (an add-on card is required) 1 x CD audio-in connector 1 x Front panel audio connector for Line-out and Mic-in 3 x Fan connectors for CPU/Sys FAN/Fan 3 1 x ATX power connector	
Back Panel I/O	1 x PS2 mouse port 1 x PS2 keyboard port 1 x VGA port 1 x RJ-45 LAN port 2 x USB 2.0 ports 1 x Parallel port 1 x S-Video port 1 x RCA port (S/PDIF or TV out) 1 x Serial port 3 x Audio jacks: Line-out, Line-in and Mic-in (vertical, Smart 5.1 support)	
BIOS	Award BIOS 2/4Mbit flash memory	
Operating System	Windows XP, Linux, Win CE, XPE	
System Monitoring & Management	CPU voltage monitoring Wake-on LAN, Keyboard Power-on, Timer Power-on System power management AC power failure recovery	
Operating Temperature	0° C - 50° C	
Operating Humidity	0% ~ 93% (relative humidity; non-condensing)	
Form Factor	Mini-ITX (4-layer) 17 cm x 17 cm	

Back Panel I/O



Accessories



DVI-01
Supports DVI monitor



LVDS-05
Supports 18/24-bit LCD panel display



WLAN USB Module
802.11 b/g standards

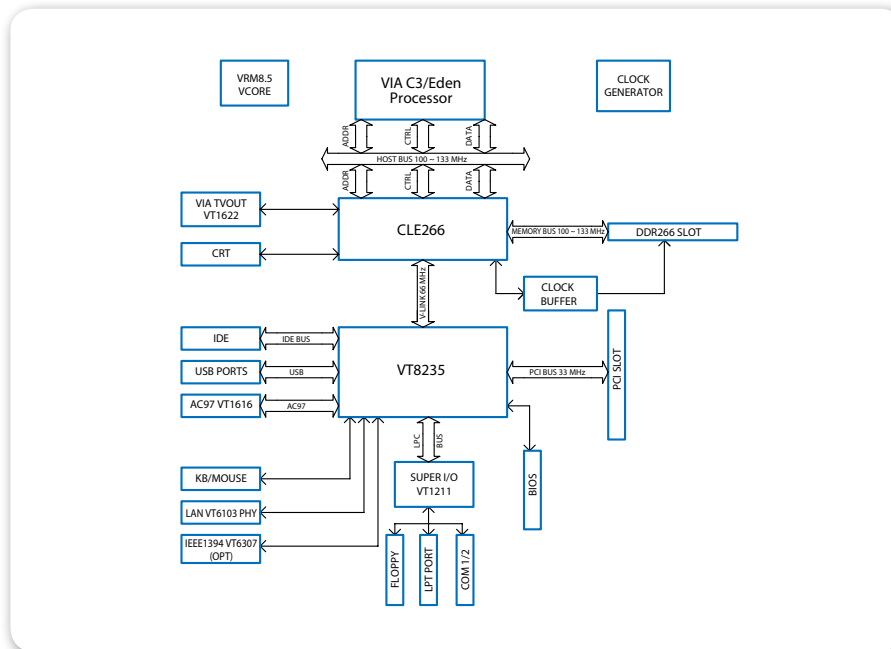


EXT-PCI
1 to 2 PCI riser card

Ordering Information

Model Name	CPU Frequency	Description
M10000G	1.0GHz C3®	Mini-ITX Board with 1.0GHz C3® CPU, VGA, LVDS, DVI, TV-out, USB, 1394, COM, LAN, LPT, FDD, IDE
ME6000G	600MHz Eden™	Mini-ITX Fanless Board with 600MHz Eden™ CPU, VGA, LVDS, DVI, TV-out, USB, 1394, COM, LAN, LPT, FDD, IDE

Block Diagram



Packing List

Items
1 x ATA-66/100/133 IDE FDD ribbon cable
1 x Combo module (2-port USB2.0 and 2-port 1394)
1 x General installation guide
1 x Driver Utility CD
1 x I/O bracket