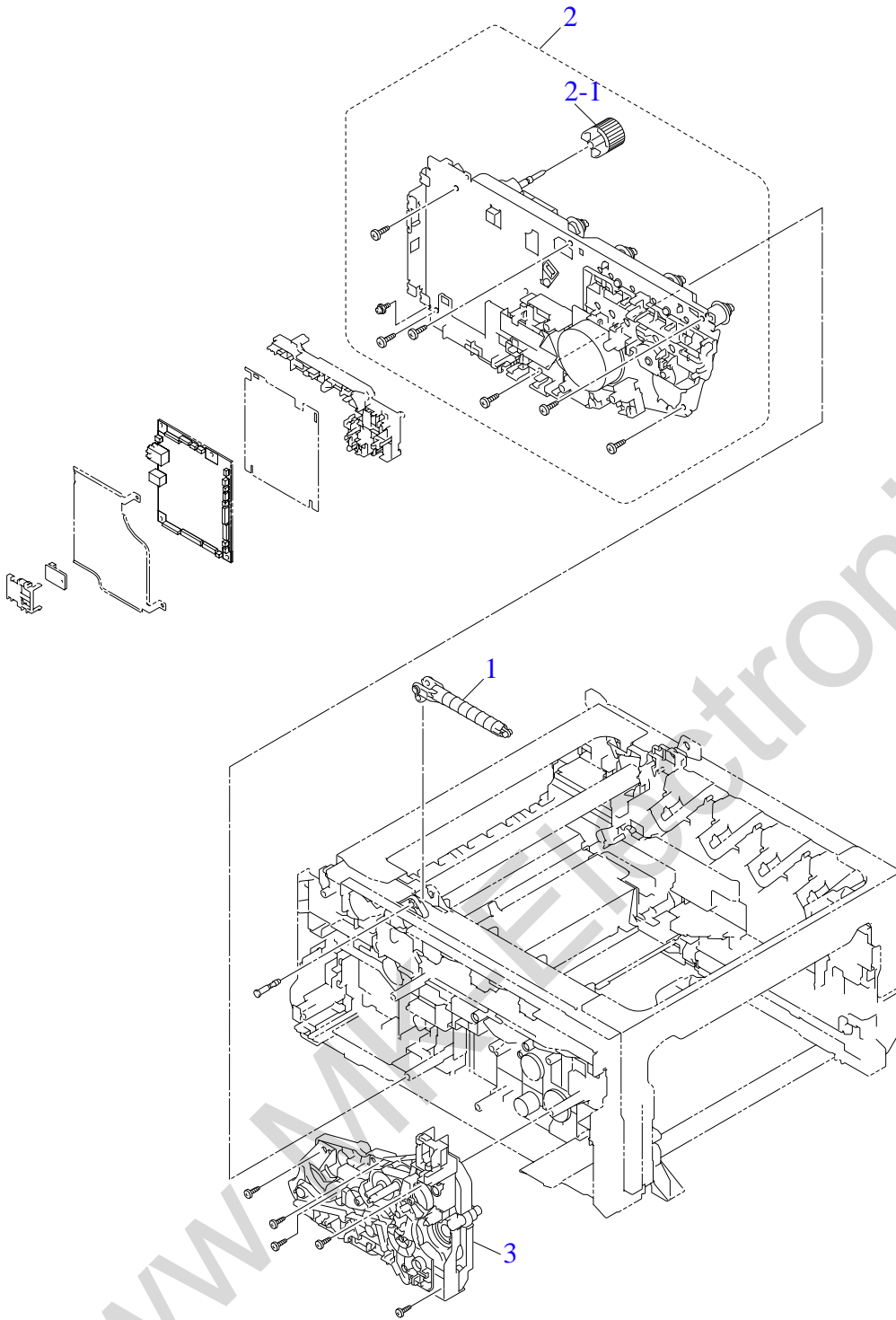


1.FRAME L& DRIVE UNIT

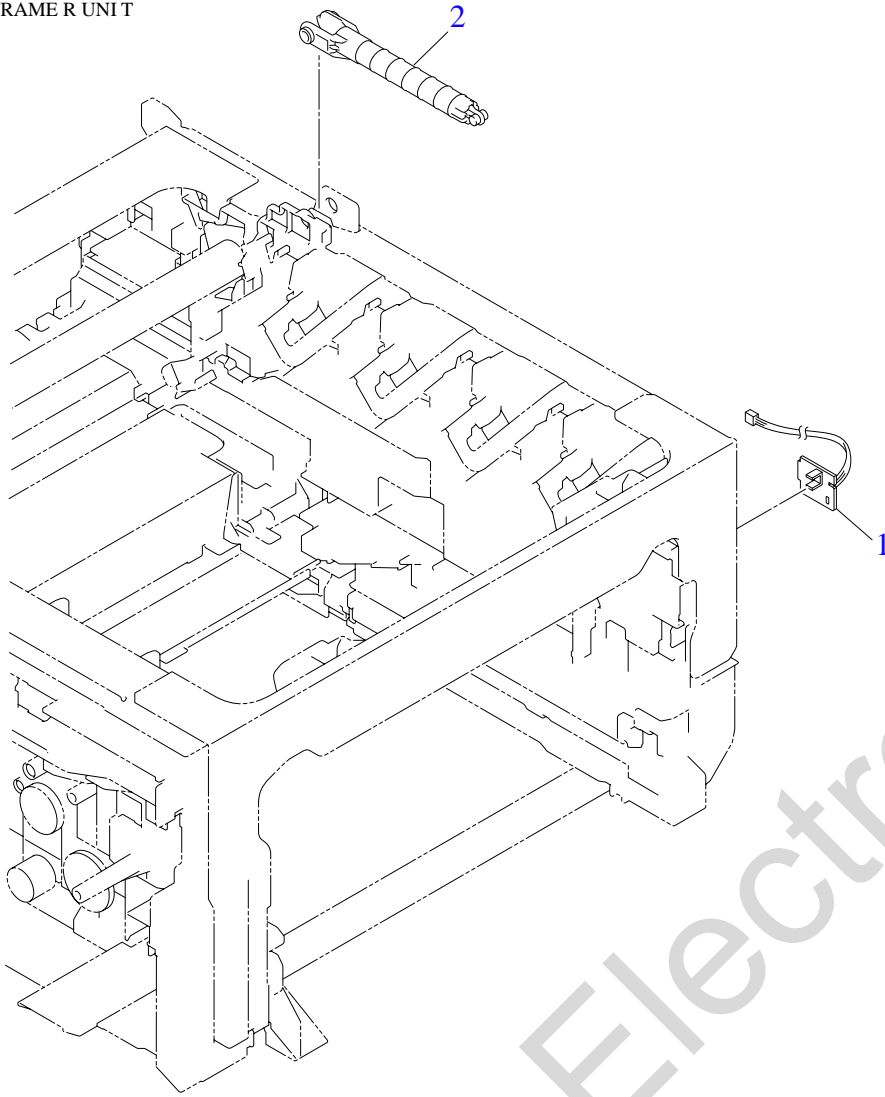


- 1 -

1. FRAME L & DRIVE UNIT

|     |           |   |                      |
|-----|-----------|---|----------------------|
| 1   | LY6038001 | 1 | DAMPER L ASSY        |
| 2   | LY6045001 | 1 | PROCESS DRIVE UNIT   |
| 2-1 | LY0233001 | 1 | FUSER DRIVE GEAR Z25 |
| 3   | LY6100001 | 1 | MAIN DRIVE UNIT      |

2.FRAME R UNIT

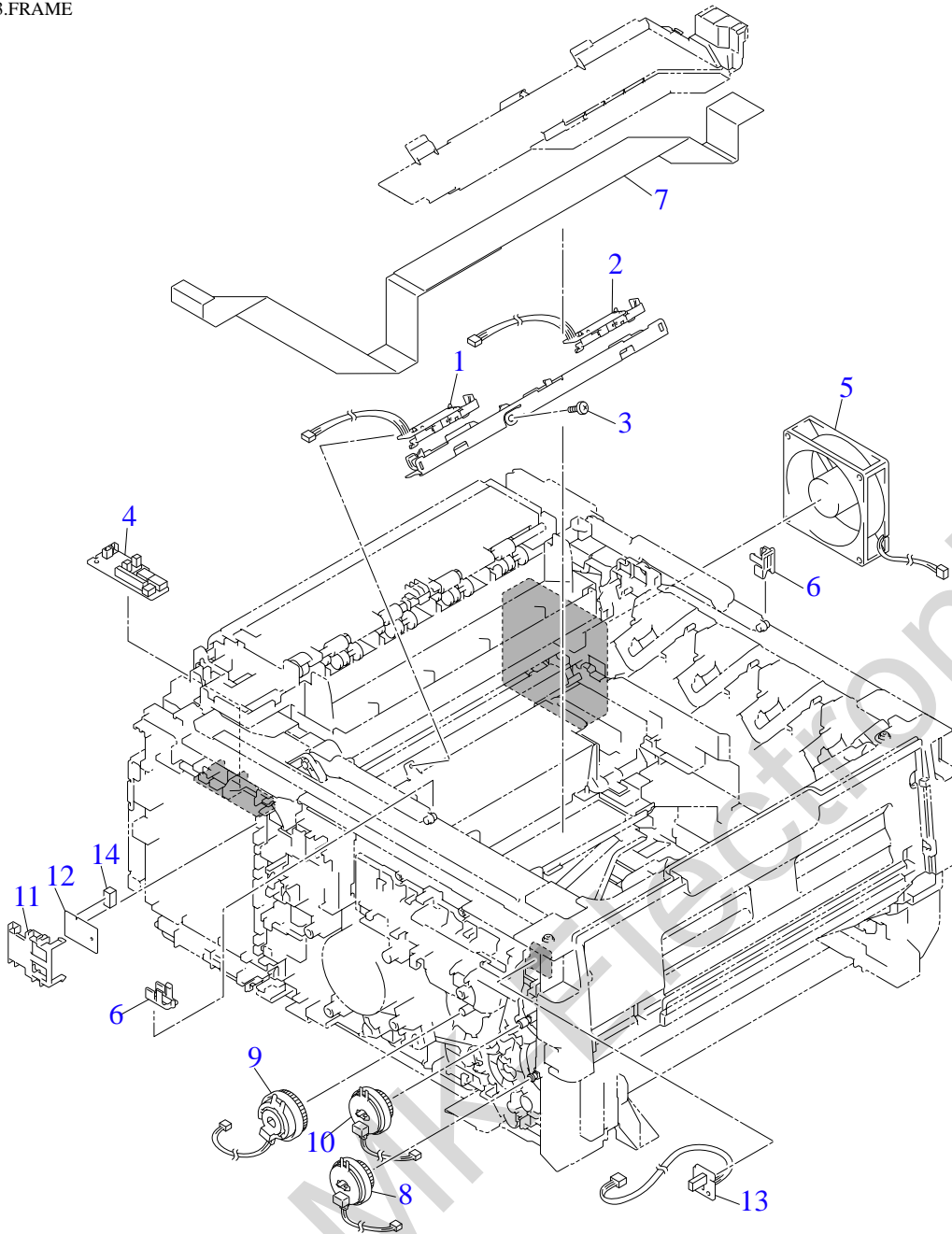


2. FRAME R UNIT

|   |           |   |                                 |
|---|-----------|---|---------------------------------|
| 1 | LV0885001 | 1 | DEVELOP RELEASE SENSOR PCB ASSY |
| 2 | LY6174001 | 1 | DAMPER R ASSY                   |

www.mk-electronic.de

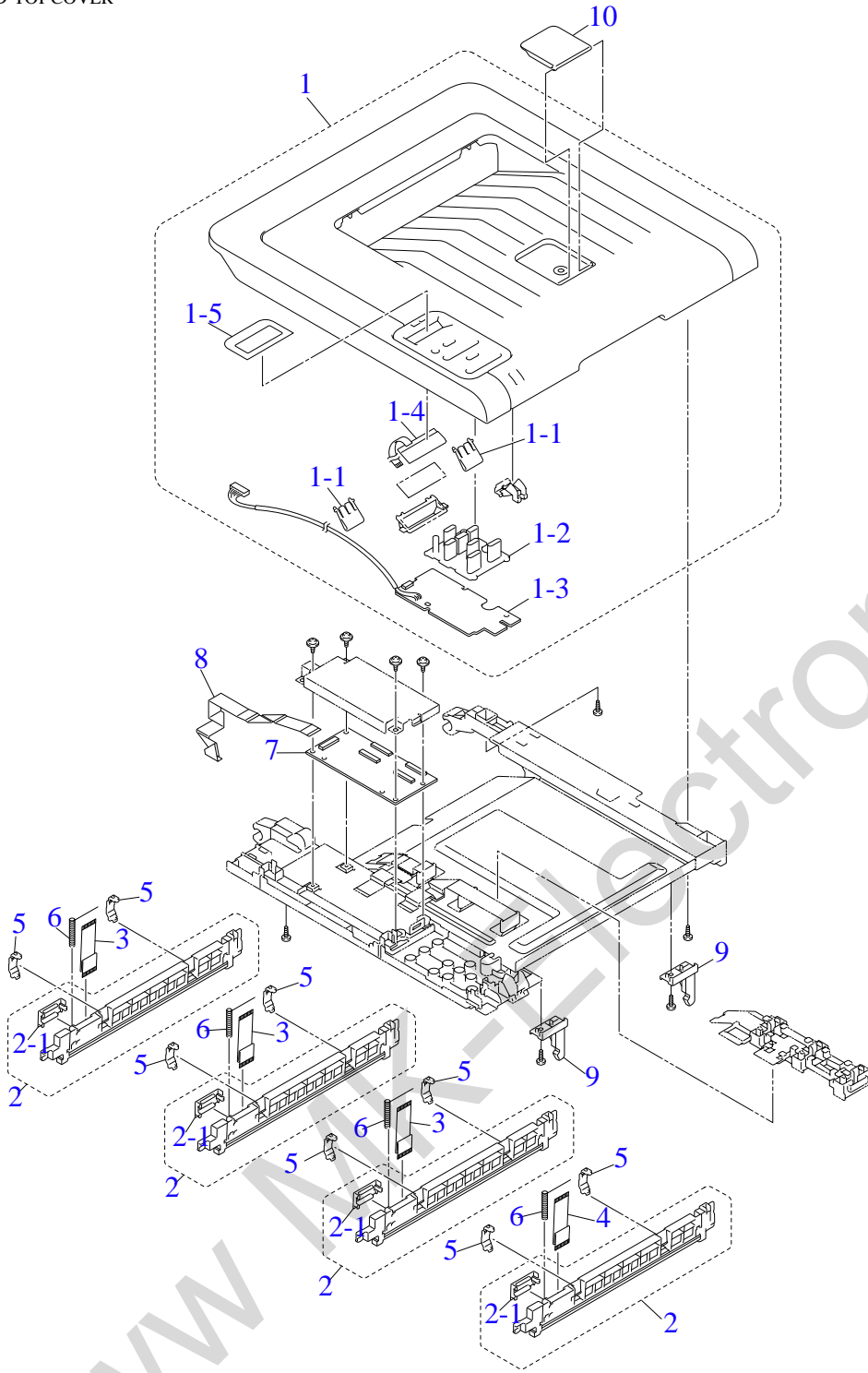
3.FRAME



3. FRAME

|    |           |   |   |
|----|-----------|---|---|
| 1  | LV0905001 | 1 | REGISTRATION MARK L PCB ASSY                          |
| 2  | LV0903001 | 1 | REGISTRATION MARK R PCB ASSY                          |
| 3  | 085320516 | 1 | TAPTITE BIND S M3X5                                   |
| 4  | LV0890001 | 1 | EJECT SENSOR PCB ASSY                                 |
| 5  | LY6770001 | 1 | MAIN FAN  |
| 6  | LY6230001 | 2 | DAMPER STOPPER  |
| 7  | LV0918001 | 1 | HVPS FLAT CABLE                                       |
| 8  | LY6134001 | 1 | PAPER FEED CLUTCH                                     |
| 9  | LY6135001 | 1 | DEVELOP RELEASE CLUTCH                                |
| 10 | LY6136001 | 1 | REGISTRATION CLUTCH                                   |
| 11 | LY6139001 | 1 | WIRELESS LAN CAP HL-3140CW HL-3150CDW HL-3170CDW      |
| 12 | LT2822001 | 1 | WIRELESS LAN PCB ASSY HL-3140CW HL-3150CDW HL-3170CDW |
| 13 | LV0942001 | 1 | EXTERNAL TEMPERATURE/HUMIDITY SENSOR PCB ASSY         |
| 14 | LT2604001 | 1 | SPACER SPONGE HL-3140CW HL-3150CDW HL-3170CDW         |

4.LED TOPCOVER

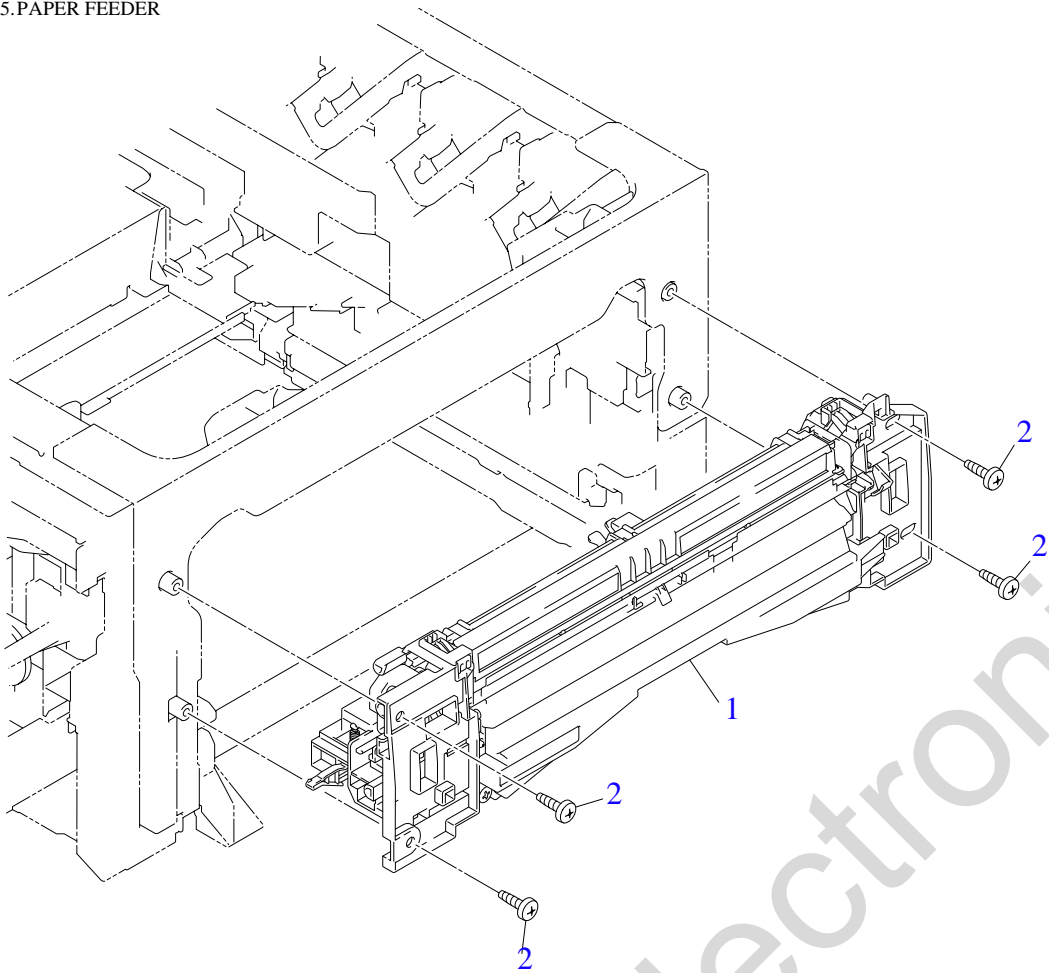


#### 4. LED TOP COVER

|     |           |   |  |
|-----|-----------|---|--|
| 1   | LY6247001 | 1 | TOP COVER ASSY HL-3140CW                           |
| 1   | LY7063001 | 1 | TOP COVER ASSY HL-3150CDN                          |
| 1   | LY7432001 | 1 | TOP COVER ASSY HL-3150CDW                          |
| 1   | LY6585001 | 1 | TOP COVER ASSY HL-3170CDW                          |
| 1-1 | LY6255002 | 2 | PAPER STACK LEVER HL-3140CW                        |
| 1-1 | LY6255001 | 2 | PAPER STACK LEVER HL-3150CDN HL-3150CDW HL-3170CDW |
| 1-2 | LY6256002 | 1 | RUBBER KEY ASSY HL-3140CW                          |
| 1-2 | LY6256001 | 1 | RUBBER KEY ASSY HL-3150CDN HL-3150CDW HL-3170CDW   |
| 1-3 | LV0919001 | 1 | PANEL PCB ASSY HL-3140CW HL-3150CDN HL-3150CDW     |
| 1-3 | LV0919002 | 1 | PANEL PCB ASSY HL-3170CDW                          |
| 1-4 | A51298001 | 1 | LCD HL-3140CW HL-3150CDN HL-3150CDW                |
| 1-4 | A51299001 | 1 | LCD HL-3170CDW                                     |
| 1-5 | LY6260001 | 1 | LCD SHEET PRINTED ASSY HL-3140CW                   |
| 1-5 | LY6825001 | 1 | LCD SHEET PRINTED ASSY HL-3150CDN                  |
| 1-5 | LY6826001 | 1 | LCD SHEET PRINTED ASSY HL-3150CDW                  |
| 1-5 | LY6586001 | 1 | LCD SHEET PRINTED ASSY HL-3170CDW                  |
| 2   | LY6790001 | 4 | LED ASSY (SP)                                      |
| 2-1 | LY6272001 | 4 | FLAT CABLE COVER                                   |
| 3   | LV0921001 | 3 | LED FLAT CABLE                                     |
| 4   | LV0945001 | 1 | LED(Y) FLAT CABLE                                  |
| 5   | LY6277001 | 8 | HOLDER HOOK  |
| 6   | LY6274001 | 4 | Z SPRING L   |
| 7   | LV0907001 | 1 | LED CONTROL PCB ASSY                               |
| 8   | LV0934001 | 1 | LED CONTROL FLAT CABLE                             |
| 9   | LY6296001 | 2 | TC LOCK ARM GUIDE                                  |
| 10  | LY6250002 | 1 | SUPPORT FLAP HL-3140CW                             |
| 10  | LY6250001 | 1 | SUPPORT FLAP HL-3150CDN HL-3150CDW HL-3170CDW      |

www.MK-Electronic.de

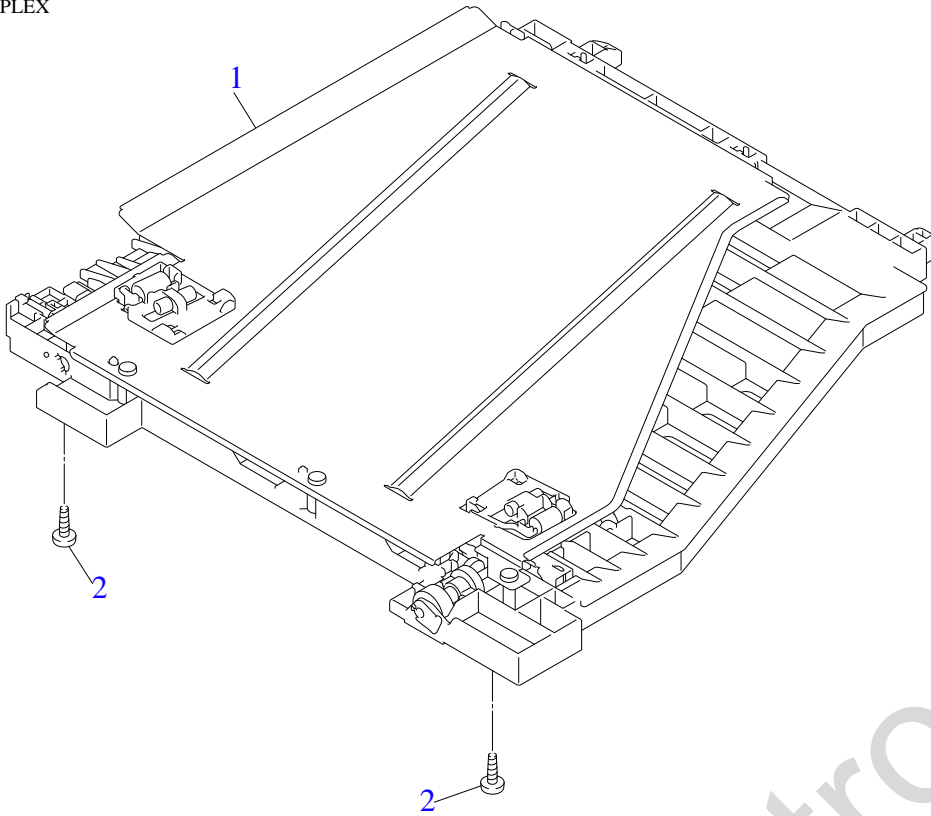
## 5. PAPER FEEDER



## 5. PAPER FEEDER

|   |           |   |   |
|---|-----------|---|---|
| 1 | LY7536002 | 1 | PAPER FEED UNIT (SP) HL-3140CW                        |
| 1 | LY7536001 | 1 | PAPER FEED UNIT (SP) HL-3150CDN HL-3150CDW HL-3170CDW |
| 2 | LU5693001 | 4 | TAPTITE BIND B M4X12                                  |

6.DUPLEX

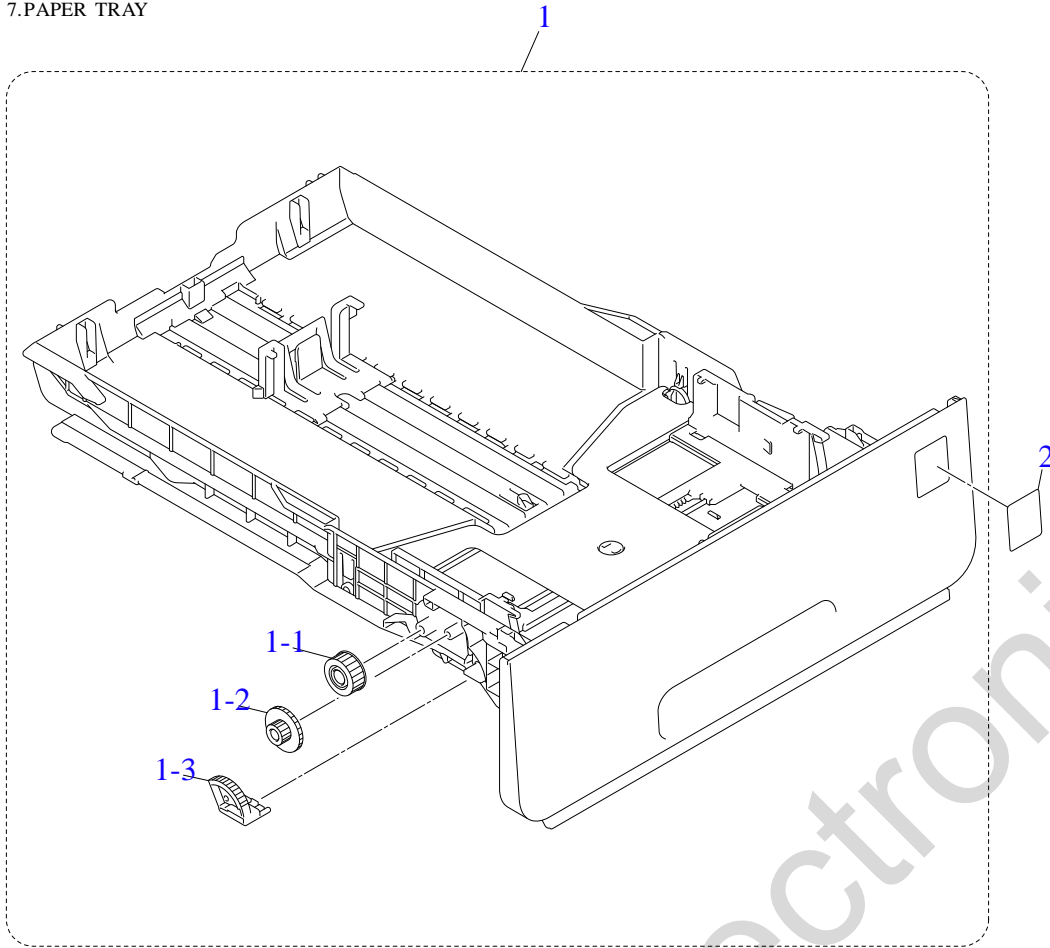


6. DUPLEX

|   |           |   |  |
|---|-----------|---|--|
| 1 | LY6649001 | 1 | DUPLEX TRAY A4 (*)   |
| 1 | LY6587001 | 1 | DUPLEX TRAY LTR HL-3150CDN FOR PHL/CHL HL-3170CDW FOR US/CAN/PHL/CHL |
| 2 | LU5693001 | 2 | TAPTITE BIND B M4X12 HL-3150CDN HL-3150CDW HL-3170CDW                |

(\*) HL-3150CDN FOR ARL/CHN/GUL/SGP/IND HL-3150CDW HL-3170CDW FOR GER/UK/ARL/CHE/ITA/IBR/CHN/GUL/SGP/IND/RUS/FRA/BEL/NLD/PND/CEE

7.PAPER TRAY

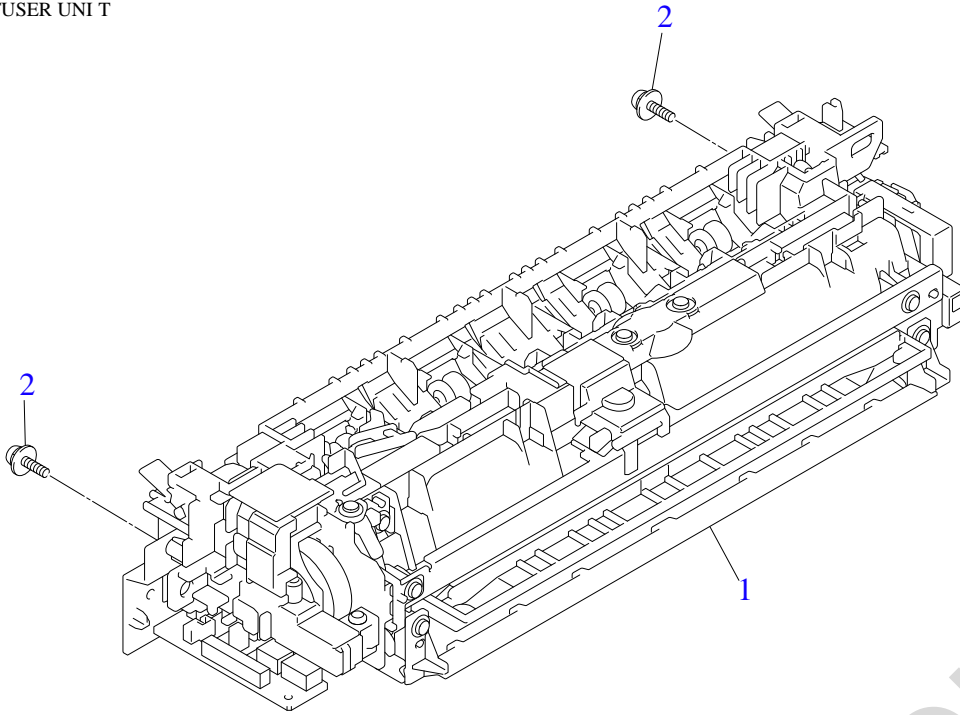


7. PAPER TRAY

|     |           |   |  |
|-----|-----------|---|--|
| 1   | LY6342002 | 1 | PAPER TRAY SX HL-3140CW                        |
| 1   | LY6602001 | 1 | PAPER TRAY DX HL-3150CDN HL-3150CDW HL-3170CDW |
| 1-1 | LR0252001 | 1 | GEAR Z19M10                                    |
| 1-2 | LR0253001 | 1 | GEAR Z23M10Z14M75                              |
| 1-3 | LY2202001 | 1 | LIFT GEAR 46                                   |
| 2   | LY6986001 | 1 | COLOR LABEL HL-3140CW                          |
| 2   | LY6423001 | 1 | COLOR LABEL HL-3150CDN HL-3150CDW HL-3170CDW   |



8.FUSER UNI T

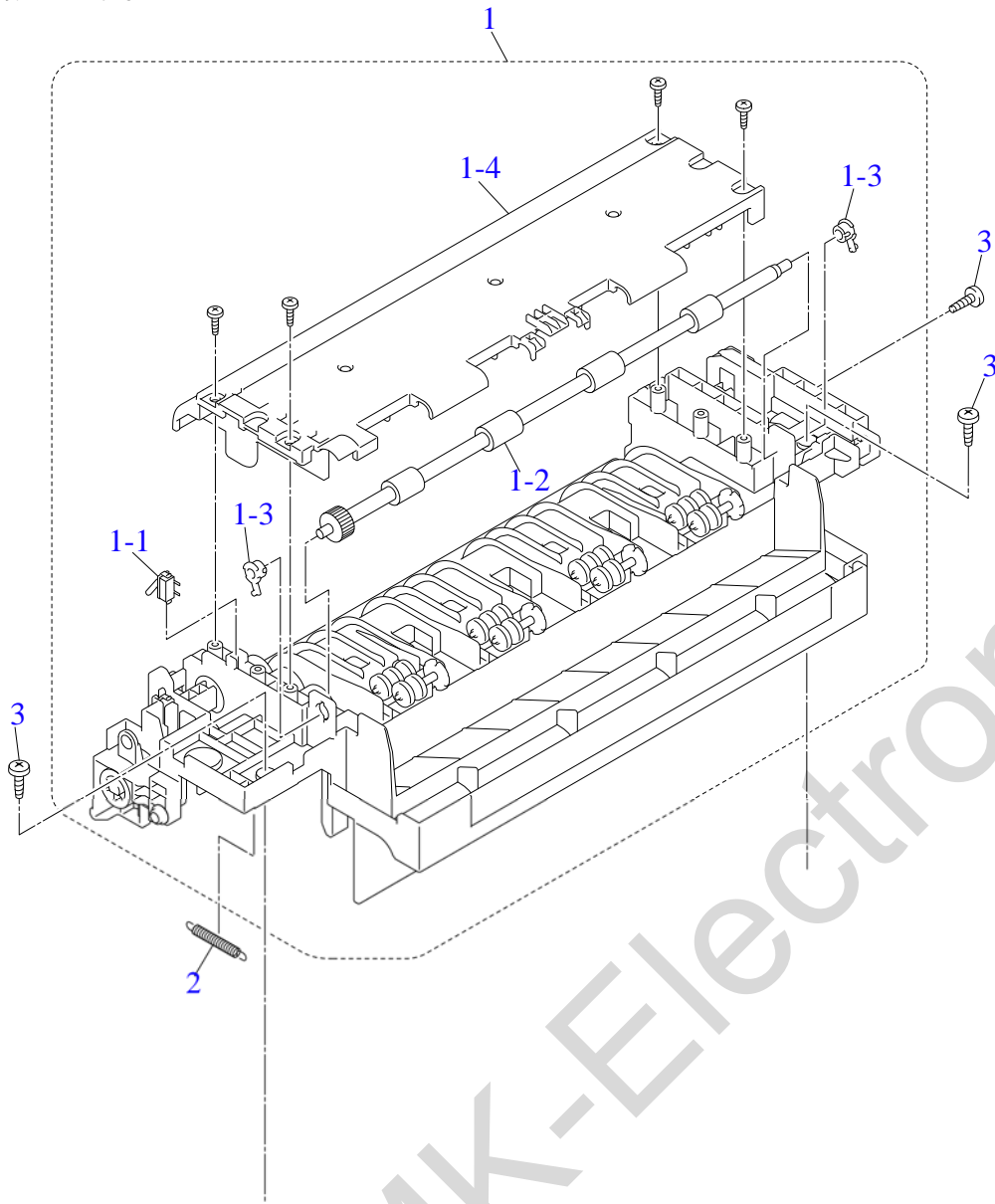


8. FUSER UNIT

|   |           |   |  |
|---|-----------|---|--|
| 1 | LY6753001 | 1 | FUSER UNIT 115V(SP) HL-3140CW FOR US/CAN HL-3170CDW FOR US/CAN |
| 1 | LY6754001 | 1 | FUSER UNIT 230V(SP) (*)  |
| 2 | LU6109001 | 2 | TAPTITE PAN(WASHER)B M4X12DA                                   |

(\*) HL-3140CW FOR GER/UK/CHE/ITA/IBR/RUS/FRA/BEL/NLD/PND/CEE  
HL-3150CDN HL-3150CDW HL-3170CDW  
FOR GER/UK/ARL/CHE/ITA/IBR/CHN/CHL/RUS/FRA/BEL/NLD/PHL/GUL/SGP/IND/PND/CEE

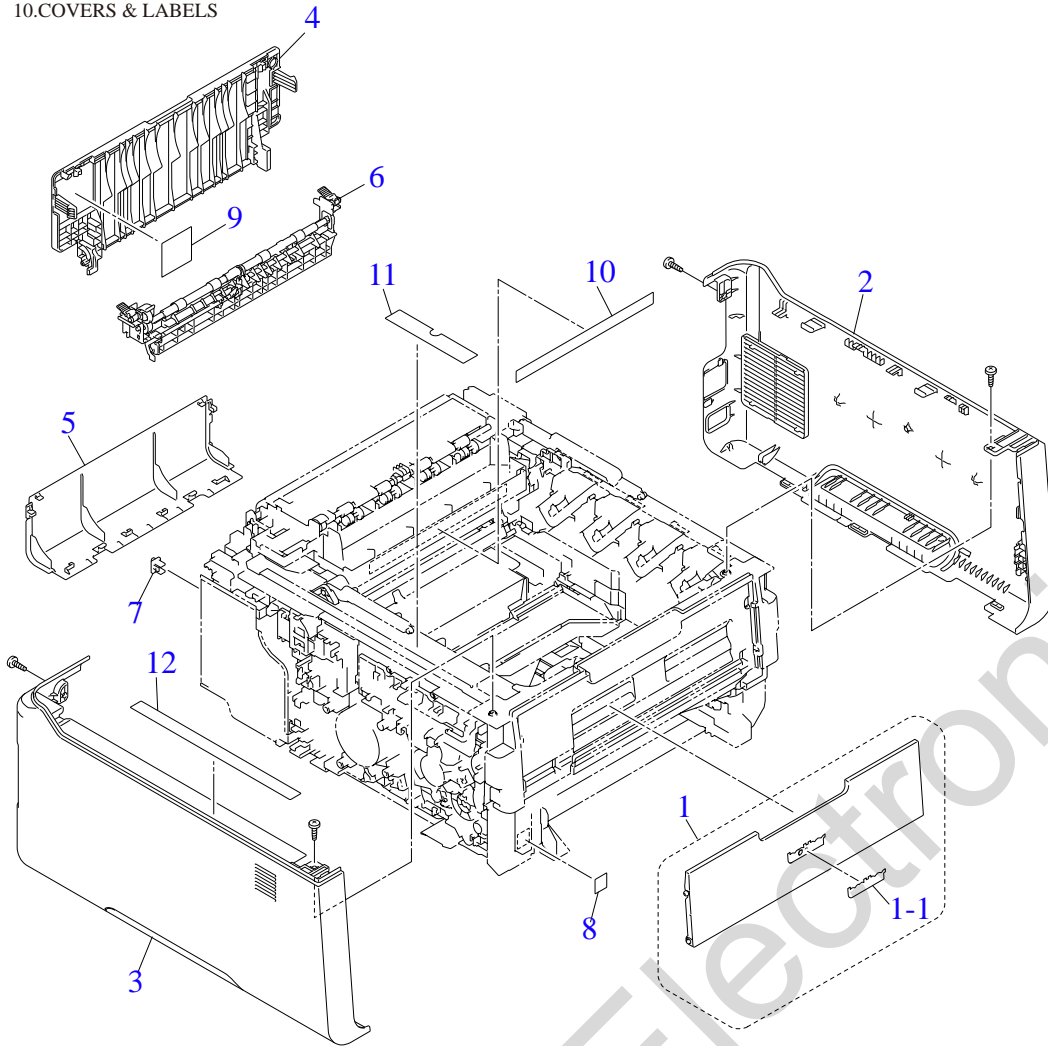
9.PAPER EJECT



9. PAPER EJECT

|     |           |   |  |
|-----|-----------|---|--|
| 1   | LY6385002 | 1 | PAPER EJECT ASSY SX HL-3140CW                            |
| 1   | LY6603001 | 1 | PAPER EJECT ASSY DX HL-3150CDN HL-3150CDW HL-3170CDW     |
| 1-1 | LV0927001 | 1 | BACK COVER SENSOR HARNESS ASSY                           |
| 1-2 | LY6397001 | 1 | EJECT ROLLER ASSY  |
| 1-3 | LY0790001 | 2 | EXIT ROLLER BUSHING R                                    |
| 1-4 | LY6401001 | 1 | BACK COVER UPPER   |
| 2   | LY6964001 | 1 | COOLING ROLLER SPRING L HL-3150CDN HL-3150CDW HL-3170CDW |
| 3   | LU5693001 | 3 | TAPTITE BIND B M4X12                                     |

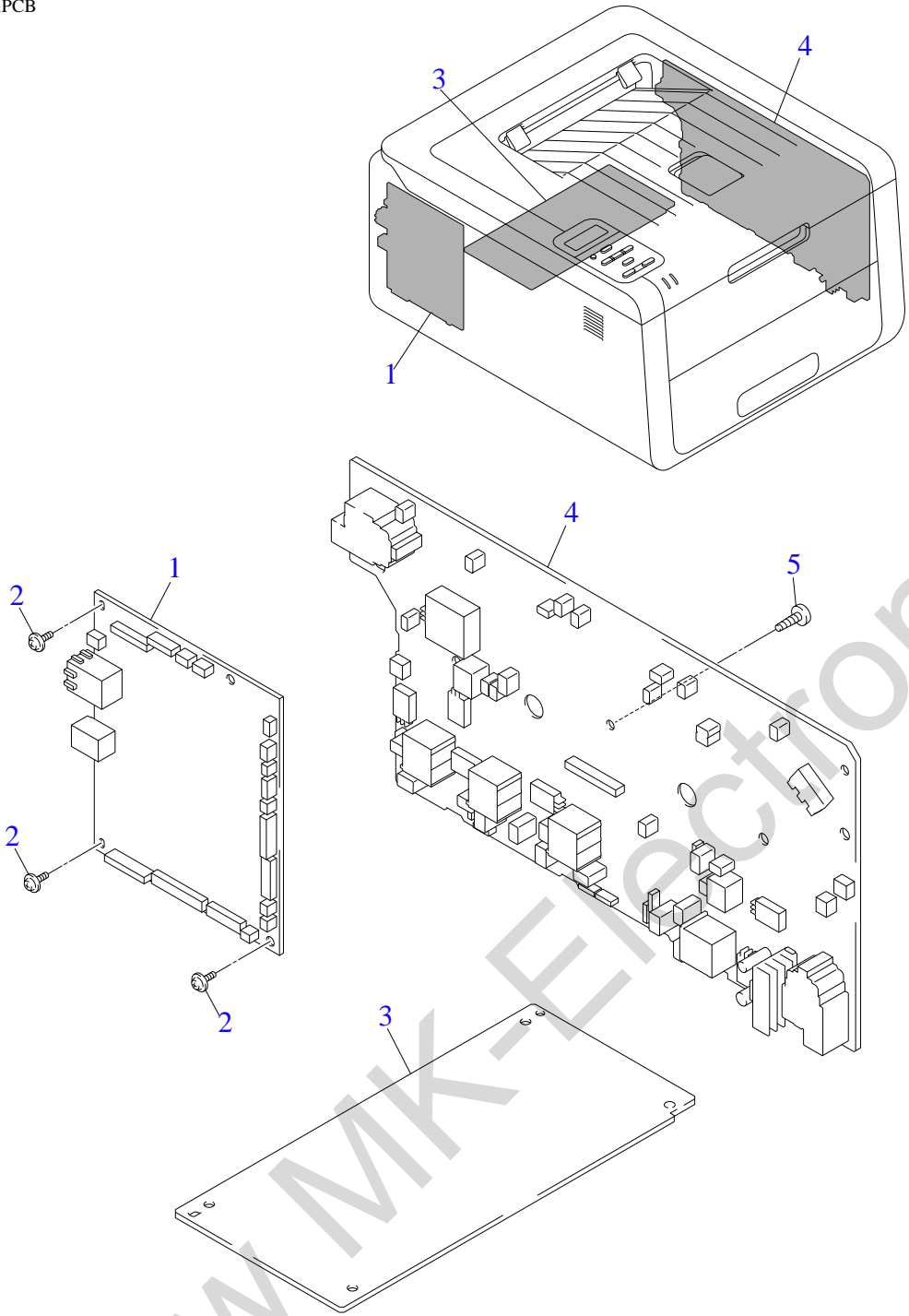
10. COVERS & LABELS



10. COVERS & LABELS

|     |           |   |  |
|-----|-----------|---|--|
| 1   | LY7419002 | 1 | FRONT COVER ASSY (SP) HL-3140CW  |
| 1   | LY7419001 | 1 | FRONT COVER ASSY (SP) HL-3150CDN HL-3150CDW HL-3170CDW                                       |
| 1-1 | LY4852004 | 1 | EMBLEM BROTHER SHEET BL HL-3140CW  |
| 1-1 | LY4852002 | 1 | EMBLEM BROTHER SHEET BL HL-3150CDN HL-3150CDW HL-3170CDW                                     |
| 2   | LY6406001 | 1 | SIDE COVER R   |
| 3   | LY6407001 | 1 | SIDE COVER L HL-3140CW   |
| 3   | LY6612001 | 1 | SIDE COVER L HL-3150CDN HL-3150CDW HL-3170CDW  |
| 4   | LY6409001 | 1 | BACK COVER HL-3140CW   |
| 4   | LY6613001 | 1 | BACK COVER ASSY HL-3150CDN HL-3150CDW HL-3170CDW   |
| 5   | LY6412001 | 1 | BACK COVER LOWER   |
| 6   | LY6413001 | 1 | FUSER COVER ASSY   |
| 7   | LY0872001 | 1 | LAN PORT CAP HL-3150CDN HL-3150CDW HL-3170CDW  |
| 8   | LY6425001 | 1 | LABEL FRONT JAM 25X21  |
| 9   | LY6426001 | 1 | LABEL H/SP CAUTION REAR 44X41  |
| 10  | LY6427001 | 1 | LABEL HEAT CAUTION F200 US HL-3140CW FOR US/CAN HL-3150CDN FOR CHL HL-3170CDW FOR US/CAN/CHL |
| 10  | LY6780001 | 1 | LABEL HEAT CAUTION F200 EU HL-3140CW FOR GER/UK/CHE/ITA/RUSFRA/BEL/NLD/PND/IBR/CEE (*)       |
| 10  | LY6782001 | 1 | LABEL HEAT CAUTION F200 CHN HL-3150CDN FOR CHN HL-3170CDW FOR CHN                            |
| 10  | LY6781001 | 1 | LABEL HEAT CAUTION F200 OCE HL-3150CDN FOR ARL HL-3170CDW FOR ARL                            |
| 10  | LY6824001 | 1 | LABEL HEAT CAUTION F200 ASA HL-3150CDN FOR PHL/GUL/SGP/IND HL-3170CDW FOR PHL/GUL/SGP/IND    |
| 11  | LY6428001 | 1 | LABEL DR OPERATION 118X24  |
| 12  | LY6429001 | 1 | LABEL SPRAY CAUTION 210  |

(\*) HL-3150CDW HL-3170CDW FOR GER/UK/CHE/ITA/IBR/RUS/FRA/BEL/NLD/PND/CEE



www.MK-Electronic.de

## 11. PCB

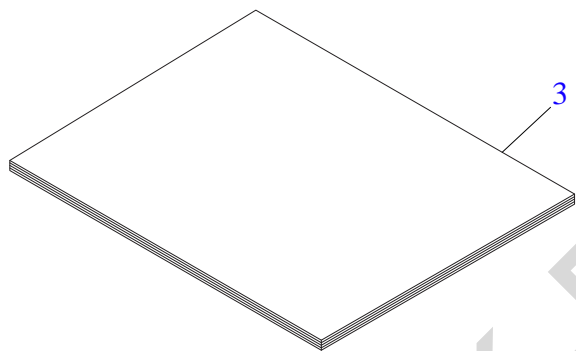
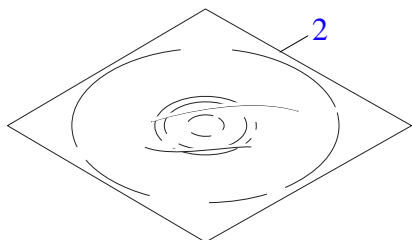
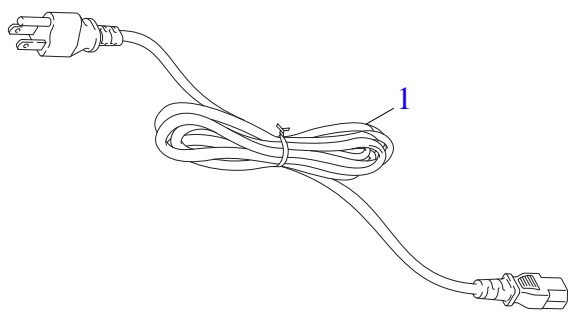
|   |           |   |   |
|---|-----------|---|---|
| 1 | LV0912001 | 1 | MAIN PCB B512348 ASSY1 DCL HL-3140CW  |
| 1 | LV0912051 | 1 | MAIN PCB B512348 ASSY1 DCL (*1) HL-3140CW FOR FSUS  |
| 1 | LV0897001 | 1 | MAIN PCB B512348 ASSY2 DCL HL-3150CDN   |
| 1 | LV0897002 | 1 | MAIN PCB B512348 ASSY2 DCL HL-3150CDW   |
| 1 | LV0900001 | 1 | MAIN PCB B512348 ASSY3 DCL HL-3170CDW   |
| 1 | LV0900051 | 1 | MAIN PCB B512348 ASSY3 DCL (*1) HL-3170CDW FOR FSUS   |
| 2 | LP2378001 | 3 | TAPTITE CUP S M3X8 SR   |
| 3 | LV0929001 | 1 | LOW-VOLTAGE POWER SUPPLY PCB ASSY 115V HL-3140CW<br>FOR US/CAN HL-3170CDW FOR US/CAN                          |
| 3 | LV0939001 | 1 | LOW-VOLTAGE POWER SUPPLY PCB ASSY 230V (*2)   |
| 3 | LV1078001 | 1 | LOW-VOLTAGE POWER SUPPLY PCB ASSY 230V HL-3140CW FOR RUS<br>HL-3150CDN FOR CHN/IND HL-3170CDW FOR CHN/RUS/IND |
| 4 | LV0928001 | 1 | HIGHT-VOLTAGE POWER SUPPLY PCB ASSY   |
| 5 | LU5693001 | 1 | TAPTITE BIND B M4X12  |

(\*1) First 3-months production only

(\*2) HL-3140CW FOR GER/UK/CHE/ITA/FRA/BEL/NLD/PND/IBR/CEE HL-3150CDN  
FOR ARL/PHL/CHL/GUL/SGP

HL-3150CDW HL-3170CDW FOR GER/UK/ARL/CHE/ITA/IBR/CHL/RUS/FRA/BEL/NLD/PND/  
CEE/PHL/GUL/SGP

12. ACCESSORIES



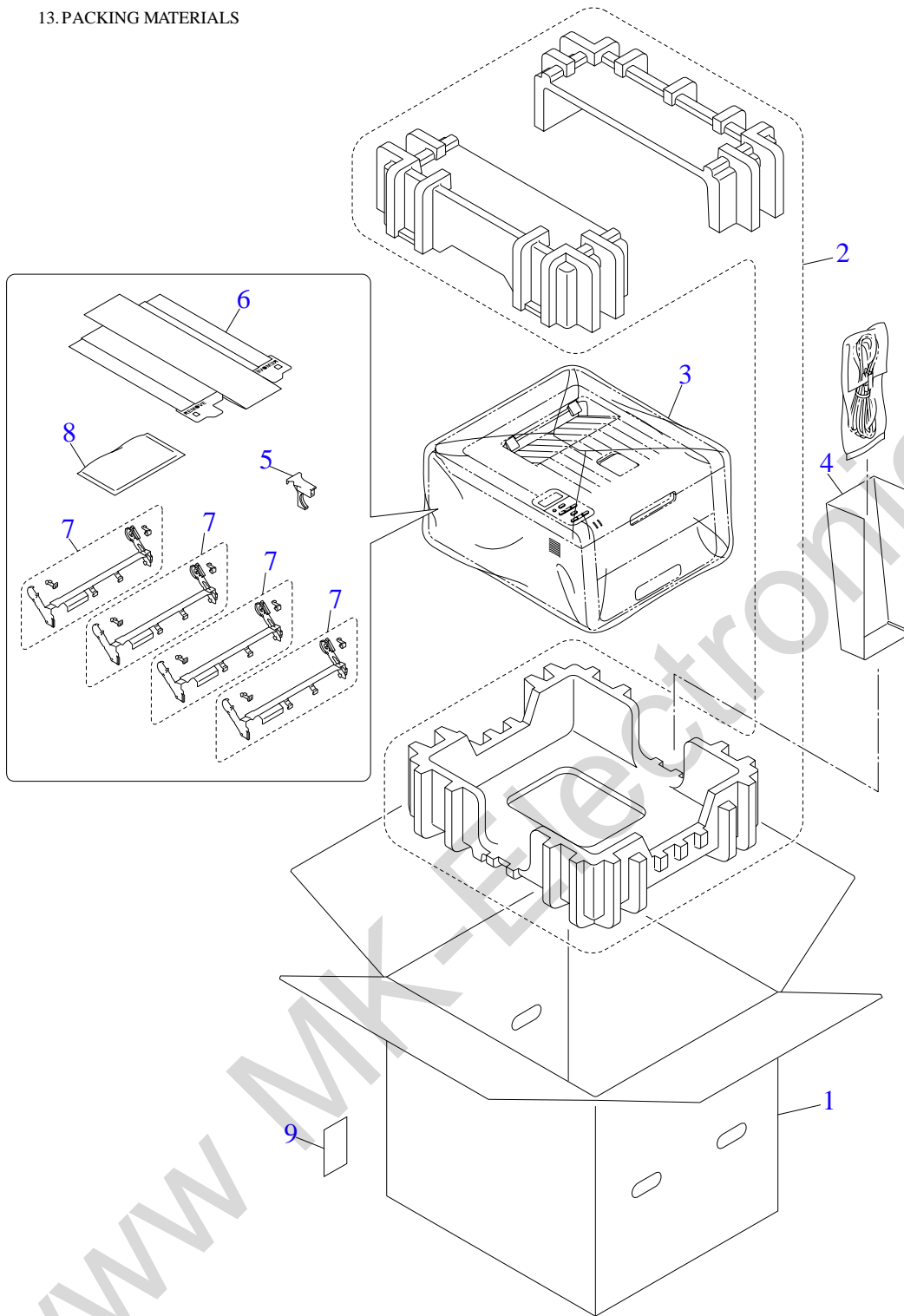
www MK-Electronic.de

## 12. ACCESSORIES

|   |           |   |   |
|---|-----------|---|---|
| 1 | LM9362001 | 1 | AC CORD BAG ASSY LF UL/CSA 13A HL-3140CW FOR US/CAN HL-3170CDW FOR US/CAN   |
| 1 | LV0364001 | 1 | AC CORD BAG ASSY LF VDE S HL-3140CW FOR GER/ITA/RUS/FRA/BEL/NLD/PND/IBR/CEE (*)   |
| 1 | LV0368001 | 1 | AC CORD BAG ASSY LF BS/PSB S HL-3140CW FOR UK HL-3150CDW FOR UK HL-3150CDN FOR GUL/SGP HL-3170CDW FOR UK/GUL/SGP        |
| 1 | LT2259001 | 1 | AC CORD BAG ASSY LF SEV HL-3140CW FOR CHE HL-3150CDW FOR CHE HL-3170CDW FOR CHE   |
| 1 | LG4720001 | 1 | AC CORD BAG ASSY LF DEMKO HL-3140CW FOR PND HL-3170CDW FOR PND  |
| 1 | LV0366001 | 1 | AC CORD BAG ASSY LF SAA S HL-3150CDN FOR ARL HL-3170CDW FOR ARL   |
| 1 | LV1093001 | 1 | AC CORD BAG ASSY LF CHN S HL-3150CDN FOR CHN HL-3170CDW FOR CHN   |
| 1 | LG6207001 | 1 | AC CORD BAG ASSY LF CHILE HL-3150CDN FOR CHL HL-3170CDW FOR CHL   |
| 1 | LT0613001 | 1 | AC CORD BAG ASSY LF IND HL-3150CDN FOR IND HL-3170CDW FOR IND   |
| 1 | LG6404001 | 1 | AC CORD BAG ASSY LF SAF HL-3150CDN FOR GUL HL-3170CDW FOR GUL   |
| 2 | LY6830001 | 1 | CD ASSY HL-3140CW FOR US HL-3170CDW FOR US  |
| 2 | LY7516001 | 1 | CD ASSY HL-3140CW FOR CAN HL-3150CDN FOR ARL/PHL/CHL/IND HL-3170CDW FOR CAN/ARL/PHL/CHL/IND                             |
| 2 | LY6829001 | 1 | CD ASSY HL-3140CW FOR GER/UK/CHE/ITA/FRA/BEL/NLD/PND/IBR HL-3150CDW HL-3170CDW FOR GER/UK/CHE/ITA/IBR/FRA/BEL/NLD/PND   |
| 2 | LY6831001 | 1 | CD ASSY HL-3140CW FOR RUS/CEE HL-3170CDW FOR RUS/CEE  |
| 2 | LY6833001 | 1 | CD ASSY HL-3150CDN FOR CHN HL-3170CDW FOR CHN   |
| 2 | LY6835001 | 1 | CD ASSY HL-3150CDN FOR GUL/SGP HL-3170CDW FOR GUL/SGP   |
| 3 | LY7162001 | 1 | SETUP GUIDE (ENGLISH) HL-3150CDW FOR UK HL-3150CDN FOR ARL/PHL/GUL/SGP/IND HL-3170CDW FOR US/CAN/UK/ARL/PHL/GUL/SGP/IND |
| 3 | LY7165001 | 1 | SETUP GUIDE (GERMAN) HL-3140CW FOR GER/CHE HL-3150CDW FOR GER/CHE HL-3170CDW FOR GER/CHE                                |
| 3 | LY7175001 | 1 | SETUP GUIDE (RUSSIAN) HL-3140CW FOR RUS HL-3170CDW FOR RUS  |
| 3 | LY7168001 | 1 | SETUP GUIDE (SPANISH) HL-3140CW FOR IBR HL-3150CDN FOR CHL HL-3150CDW FOR ITA/IBR HL-3170CDW FOR ITA/IBR/CHL            |
| 3 | LY7163001 | 1 | SETUP GUIDE (FRENCH) HL-3140CW FOR CAN HL-3170CDW FOR CAN   |
| 3 | LY7166001 | 1 | SETUP GUIDE (FRENCH) HL-3140CW FOR CHE/FRA/BEL/NLD HL-3150CDW FOR CHE/FRA/BEL/NLD HL-3170CDW FOR CHE/FRA/BEL/NLD        |
| 3 | LY7170001 | 1 | SETUP GUIDE (GERMAN) HL-3140CW FOR FRA/BEL/NLD HL-3150CDW FOR FRA/BEL/NLD HL-3170CDW FOR FRA/BEL/NLD                    |
| 3 | LY7169001 | 1 | SETUP GUIDE (PORTUGUESE) HL-3140CW FOR IBR HL-3150CDW FOR ITA/IBR HL-3170CDW FOR ITA/IBR                                |
| 3 | LY7176001 | 1 | SETUP GUIDE (CZECH/HUNGARIAN/POLISH) HL-3170CDW FOR CEE HL-3140CW FOR CEE   |
| 3 | LY7177001 | 1 | SETUP GUIDE (BULGARIAN/ROMANIAN/SLOVAK) HL-3170CDW FOR CEE HL-3140CW FOR CEE  |
| 3 | LY7167001 | 1 | SETUP GUIDE (ITALIAN) HL-3140CW FOR CHE/ITA HL-3150CDW FOR CHE/ITA/IBR HL-3170CDW FOR CHE/ITA/IBR                       |
| 3 | LY7171001 | 1 | SETUP GUIDE (FINNISH) HL-3140CW FOR PND HL-3170CDW FOR PND  |
| 3 | LY7172001 | 1 | SETUP GUIDE (DANISH) HL-3140CW FOR PND HL-3170CDW FOR PND   |
| 3 | LY7173001 | 1 | SETUP GUIDE (NORWEGIAN) HL-3140CW FOR PND HL-3170CDW FOR PND  |
| 3 | LY7174001 | 1 | SETUP GUIDE (SWEDISH) HL-3140CW FOR PND HL-3170CDW FOR PND  |
| 3 | LY7182001 | 1 | SETUP GUIDE HL-3150CDN FOR CHN HL-3170CDW FOR CHN   |
| 3 | LY7178001 | 1 | SETUP GUIDE (TURKISH) HL-3150CDN FOR GUL HL-3170CDW FOR GUL   |
| 3 | LY7180001 | 1 | SETUP GUIDE (INDONESIAN/THAI/VIETNAMESE) HL-3150CDN FOR SGP HL-3170CDW FOR SGP  |
| 3 | LY7179001 | 1 | SETUP GUIDE (ARABIC) HL-3150CDN FOR GUL HL-3170CDW FOR GUL  |

(\*) HL-3150CDN FOR PHL/GUL/SGP HL-3150CDW FOR GER/ITA/IBR/FRA/BEL/NLD HL-3170CDW FOR GER/ITA/IBR/PHL/GUL/SGP/RUS/FRA/BEL/NLD/PND/CEE

13. PACKING MATERIALS





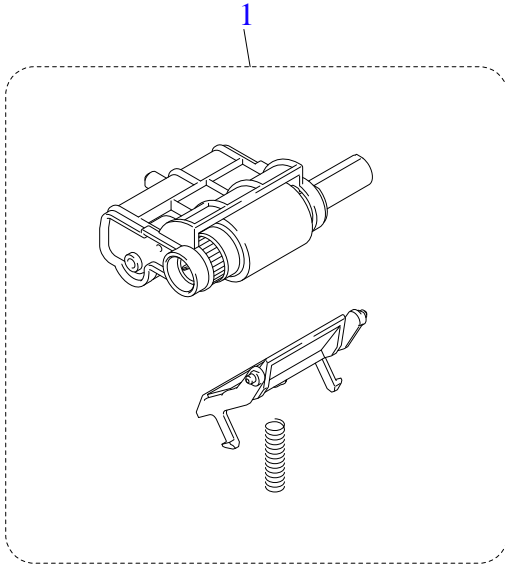
### 13. PACKING MATERIALS

|   |           |   |  |
|---|-----------|---|--|
| 1 | LY7071001 | 1 | CARTON HL-3140CW FOR US  |
| 1 | LY7075001 | 1 | CARTON HL-3140CW FOR CAN   |
| 1 | LY7099001 | 1 | CARTON HL-3140CW FOR GER/UK/CHE/ITA/RUS/FRA/BEL/NLD/PND/IBR/CEE  |
| 1 | LY7105001 | 1 | CARTON HL-3150CDN FOR PHL/GUL/SGP/IND  |
| 1 | LY7109001 | 1 | CARTON HL-3170CDW FOR PHL/GUL/SGP/IND  |
| 1 | LY7077001 | 1 | CARTON HL-3150CDN FOR CHL  |
| 1 | LY7100001 | 1 | CARTON HL-3150CDW  |
| 1 | LY7080001 | 1 | CARTON HL-3170CDW FOR US   |
| 1 | LY7084001 | 1 | CARTON HL-3170CDW FOR CAN  |
| 1 | LY7101001 | 1 | CARTON HL-3170CDW FOR GER/UK/CHE/ITA/IBR/RUS/FRA/BEL/NLD/PND/CEE   |
| 1 | LY7115001 | 1 | CARTON HL-3150CDN FOR ARL  |
| 1 | LY7125001 | 1 | CARTON HL-3150CDN FOR CHN  |
| 1 | LY7119001 | 1 | CARTON HL-3170CDW FOR ARL  |
| 1 | LY7128001 | 1 | CARTON HL-3170CDW FOR CHN  |
| 1 | LY7085001 | 1 | CARTON HL-3170CDW FOR CHL  |
| 2 | LY6576001 | 1 | POLYSTYRENE PAD ASSY HL-3140CW FOR US/CAN/GER/UK/CHE/ITA/RUS/FRA/BEL/<br>NLD/PND/IBR/CEE (*1)                      |
| 2 | LY7067001 | 1 | POLYSTYRENE PAD ASSY HL-3150CDN FOR CHN HL-3170CDW FOR CHN   |
| 3 | LEA183001 | 1 | BAG 900X900  |
| 4 | LY6745001 | 1 | OPTION CARTON  |
| 5 | LU6110001 | 1 | CLEANER LOCK   |
| 6 | LY6767001 | 1 | REMOVE SHEET ASSY  |
| 7 | LY6757001 | 4 | DRUM STOPPER ASSY  |
| 8 | LY6785001 | 1 | SILICA GEL HL-3140CW FOR GER/UK/CHE/ITA/RUS/FRA/BEL/NLD/PND/IBR/CEE<br>HL-3150CDN FOR ARL/CHN/PHL/GUL/SGP/IND (*2) |
| 8 | LY6670001 | 1 | SILICA GEL HL-3140CW FOR US/CAN HL-3150CDN FOR CHL HL-3170CDW<br>FOR US/CAN/CHL                                    |
| 9 | LY7509001 | 1 | CHINA ENERGY LABEL HL-3150CDN FOR CHN  |
| 9 | LY7503001 | 1 | CHINA ENERGY LABEL HL-3170CDW FOR CHN  |

(\*1) HL-3150CDN FOR ARL/PHL/CHL/GUL/SGP/IND HL-3150CDW FOR GER/UK/CHE/ITA/IBR/  
FRA/BEL/NLD  
HL-3170CDW FOR US/CAN/GER/UK/ARL/CHE/ITA/IBR/PHL/CHL/GUL/SGP/IND/RUS/FRA/BEL/  
NLD/PND/CEE

(\*2) HL-3150CDW HL-3170CDW FOR GER/UK/ARL/CHE/ITA/IBR/CHN/PHL/GUL/SGP/IND/RUS/  
FRA/BEL/NLD/PND/CEE

14.PERIODIC ALMAINTENANCE PARTS



14. PERIODICAL MAINTENANCE PARTS

|   |           |   |                       |
|---|-----------|---|-----------------------|
| 1 | LY7418001 | 1 | PAPER FEEDING KIT(SP) |
|---|-----------|---|-----------------------|

www MK-Electronic.de