

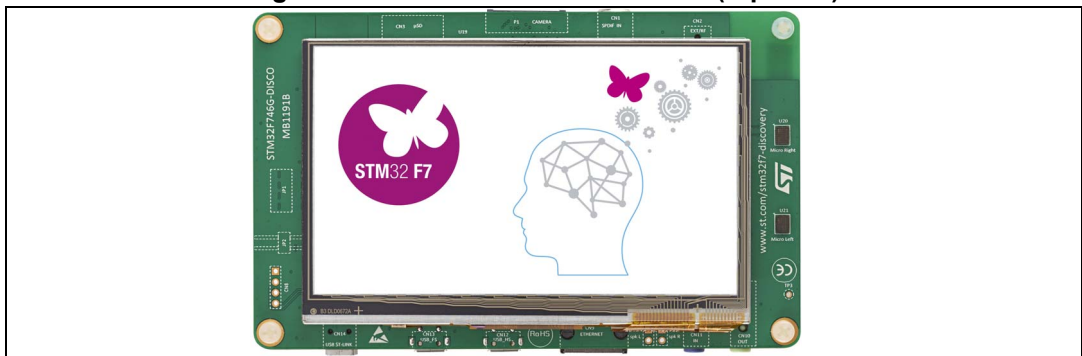
### Discovery kit for STM32F7 Series with STM32F746NG MCU

## Introduction

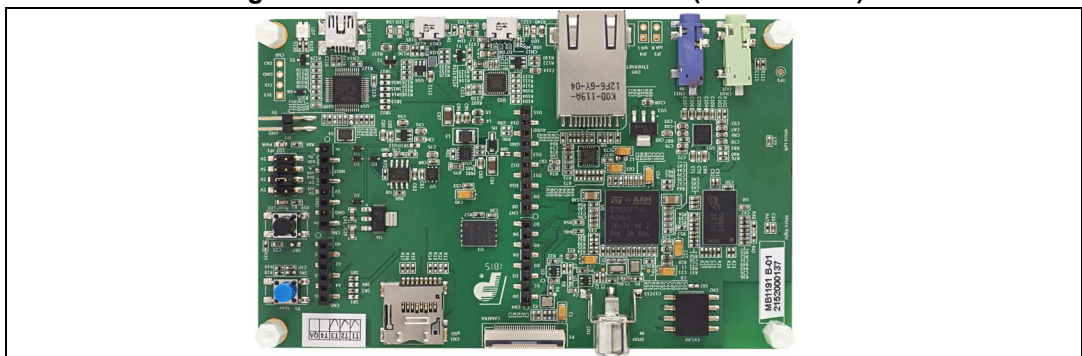
The STM32F746G-DISCO discovery board (32F746GDISCOVERY) is a complete demonstration and development platform for STMicroelectronics ARM<sup>®</sup> Cortex<sup>®</sup>-M7 core-based STM32F746NGH6 microcontroller. This microcontroller features four I<sup>2</sup>Cs, six SPIs with three multiplexed simplex I<sup>2</sup>S, SDMMC, four USARTs, four UARTs, two CANs, three 12-bit ADCs, two 12-bit DACs, two SAIs, 8- to 14-bit digital camera module interface, internal 320+16+4 KB SRAM and 1 MB Flash memory, USB HS OTG, USB FS OTG, Ethernet MAC, FMC interface, Quad-SPI interface, SWD debugging support. This discovery board offers everything required for users to get started quickly and develop applications easily.

The full range of hardware features on the board helps to evaluate almost all peripherals (USB OTG HS, USB OTG FS, Ethernet 10/100Mb, MicroSD Card, USART, SAI Audio DAC stereo with audio jack input and output, MEMS digital microphones, SDRAM, Quad-SPI Flash memory, 4.3-inch color LCD-TFT with a capacitive multi-touch panel, SPDIF RCA input, etc.) and develop your own applications. Arduino Uno V3 connectors make it possible to easily connect extension shields or a daughterboard for your specific application. The integrated ST-LINK/V2-1 provides an embedded in-circuit debugger and programmer for the STM32 MCU.

**Figure 1. STM32F746G-DISCO board (top view)**



**Figure 2. STM32F746G-DISCO board (bottom view)**



1. Pictures not contractual.

# Contents

<b>1</b>	<b>Hardware layout and configuration</b>	<b>6</b>
1.1	Embedded ST-LINK/V2-1	9
1.1.1	Drivers	9
1.1.2	ST-LINK/V2-1 firmware upgrade	10
1.2	Power supply	10
1.3	Programing/debugging when the power supply is not from ST-LINK (5V link)	12
1.4	Clock sources	13
1.5	Reset sources	13
1.6	Audio	13
1.7	USB OTG FS	13
1.8	USB OTG HS	14
1.9	MicroSD card	14
1.10	Ethernet	15
1.11	SDRAM memory	15
1.12	Quad-SPI Nor Flash memory	15
1.13	Camera module	16
1.14	Display LCD-TFT	16
<b>2</b>	<b>Connectors</b>	<b>17</b>
2.1	I2C extension connector CN2	17
2.2	Camera module connector P1	17
2.3	Arduino Uno revision 3 connectors	18
2.4	USB OTG HS micro-AB connector CN12	20
2.5	Ethernet RJ45 connector CN9	20
2.6	USB OTG FS micro-AB connector CN13	21
2.7	MicroSD connector CN3	22
2.8	ST-LINK/V2-1 USB type B connector CN14	22
2.9	Audio stereo speakers JP3 and JP4	23
2.10	Audio green jack (line Out) CN10	23
2.11	Audio blue jack (line In) CN11	23
2.12	SPDIF input RCA connector CN1	23

---

<b>3</b>	<b>Electrical schematics .....</b>	<b>24</b>
	<b>Appendix A STM32F746G-DISCO IO Assignment .....</b>	<b>37</b>
	<b>Appendix B Appendix B mechanical drawing .....</b>	<b>44</b>
<b>4</b>	<b>Revision history .....</b>	<b>45</b>

## List of tables

Table 1.	I2C extension connector CN2. ....	17
Table 2.	Camera module connector P1 .....	17
Table 3.	Arduino connectors (CN4, CN5, CN6, CN7). ....	19
Table 4.	USB OTG HS micro-AB CN12 .....	20
Table 5.	RJ45 connector CN9 .....	21
Table 6.	USB OTG FS micro-AB connector CN13 .....	21
Table 7.	MicroSD connector CN3. ....	22
Table 8.	USB type B connector CN14 .....	23
Table 9.	SPDIF input RCA connector CN1. ....	23
Table 10.	STM32F746G-DISCO IO assignment .....	37
Table 11.	Document revision history .....	45

## List of figures

Figure 1.	STM32F746G-DISCO board (top view) . . . . .	1
Figure 2.	STM32F746G-DISCO board (bottom view) . . . . .	1
Figure 3.	Hardware block diagram . . . . .	6
Figure 4.	STM32F746G-DISCO discovery board top layout . . . . .	7
Figure 5.	STM32F746G-DISCO discovery board bottom layout . . . . .	8
Figure 6.	JP1 (5V ext) from JP2 (5V). . . . .	10
Figure 7.	JP1 (5V ext) from CN6 (Vin). . . . .	10
Figure 8.	JP1 (5V link) . . . . .	11
Figure 9.	JP1 (usb_fs) . . . . .	12
Figure 10.	JP1 (usb_hs). . . . .	12
Figure 11.	Inside RJ45 jack . . . . .	15
Figure 12.	I2C extension connector CN2 (front view) . . . . .	17
Figure 13.	Camera module connector P1 (front view) . . . . .	17
Figure 14.	USB OTG micro-AB connector CN12 (front view) . . . . .	20
Figure 15.	Ethernet RJ45 connector CN9 (front view) . . . . .	20
Figure 16.	USB OTG micro-AB connector CN13 (front view) . . . . .	21
Figure 17.	MicroSD connector CN3 (front view) . . . . .	22
Figure 18.	USB type B connector CN14 (front view) . . . . .	22
Figure 19.	STM32F746 discovery interconnection . . . . .	24
Figure 20.	ST-LINK/V2-1 with support of SWD only . . . . .	25
Figure 21.	Joystick, LEDs and pushbutton . . . . .	26
Figure 22.	Audio codec Cirrus and connectors . . . . .	27
Figure 23.	Quad-SPI Flash memory (MICRON) . . . . .	28
Figure 24.	Arduino Uno connectors . . . . .	29
Figure 25.	SDRAM (MICRON). . . . .	30
Figure 26.	USB OTG FS with micro A-B connector . . . . .	31
Figure 27.	STM32F746NGH6 connection . . . . .	32
Figure 28.	USB OTG HS PHY with micro A-B connector . . . . .	33
Figure 29.	Ethernet PHY with RJ45 connector . . . . .	34
Figure 30.	External camera connector. . . . .	35
Figure 31.	4.3-inch LCD with capacitive touch. . . . .	36

# 1 Hardware layout and configuration

STM32F746G-DISCO discovery board is designed around the STM32F746NGH6 (216-pin TFBGA package). The hardware block diagram (see [Figure 3](#)) illustrates the connection between STM32F746NGH6 and peripherals (SDRAM, Quad-SPI Flash memory, camera module, color LCD, USB OTG connectors, USART, Ethernet, Audio, SPDIFRX, MicroSD card, Arduino Uno shields and embedded ST-LINK) and [Figure 3](#) will help to locate these features on the actual discovery board.

Figure 3. Hardware block diagram

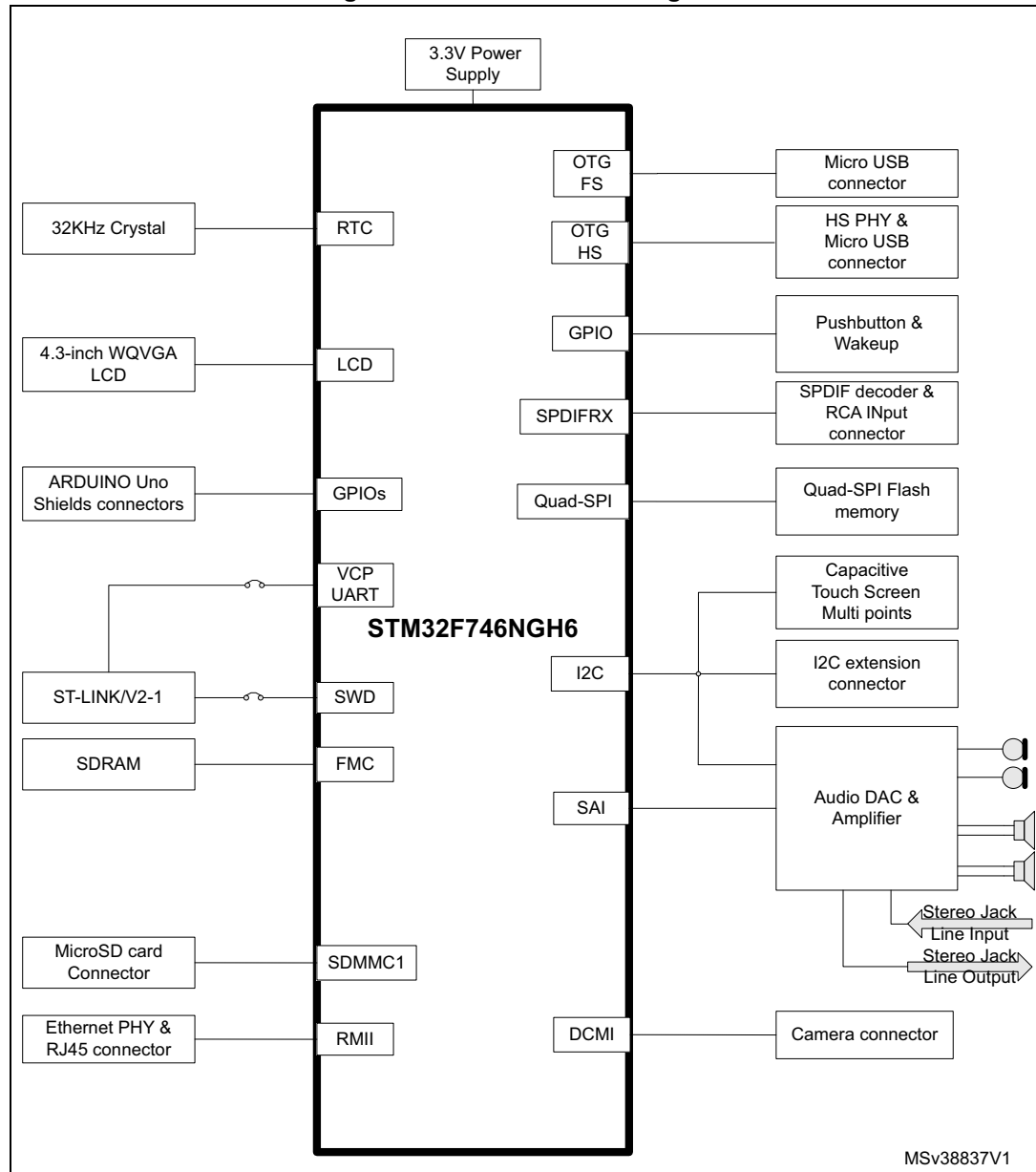


Figure 4. STM32F746G-DISCO discovery board top layout

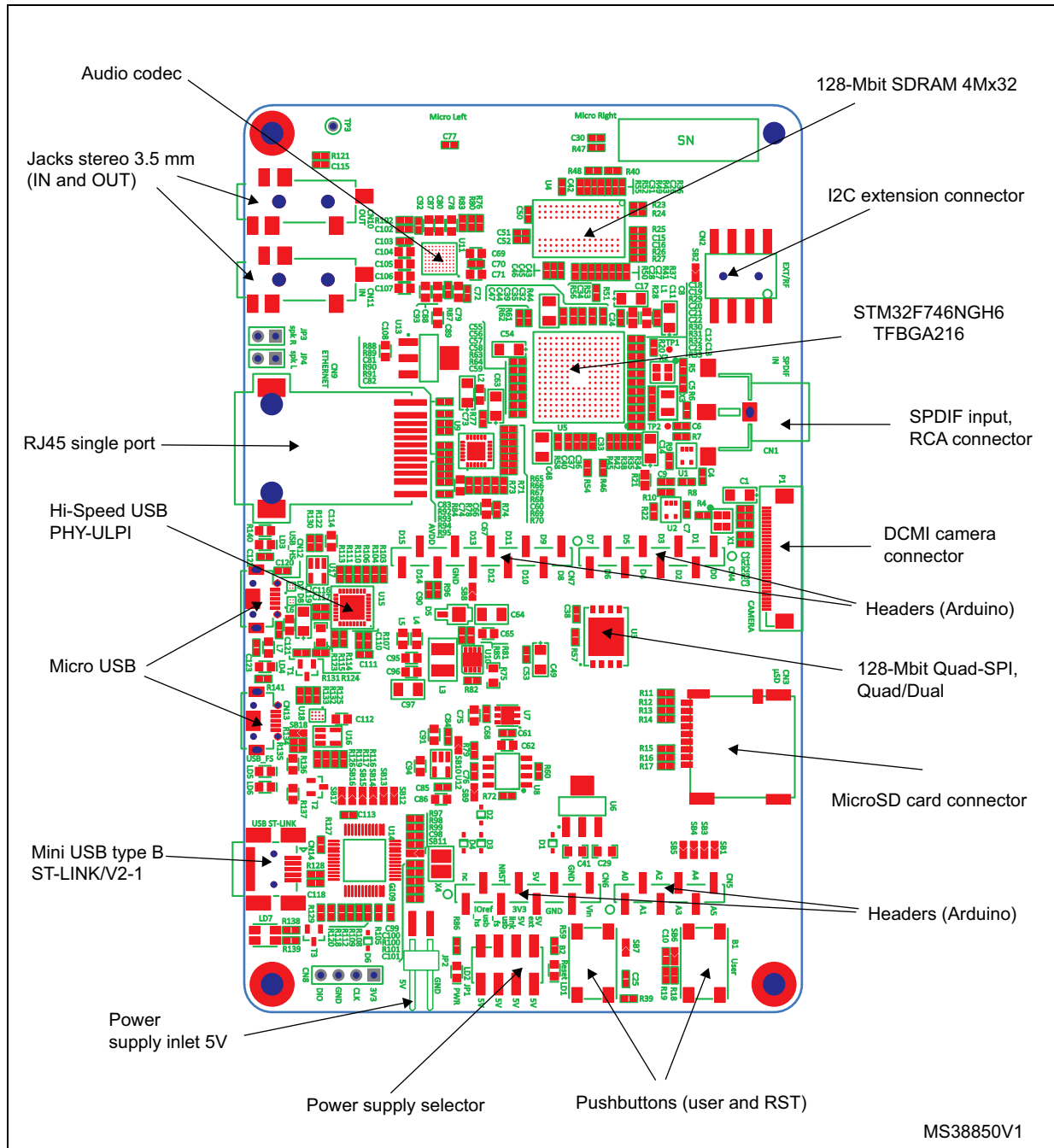
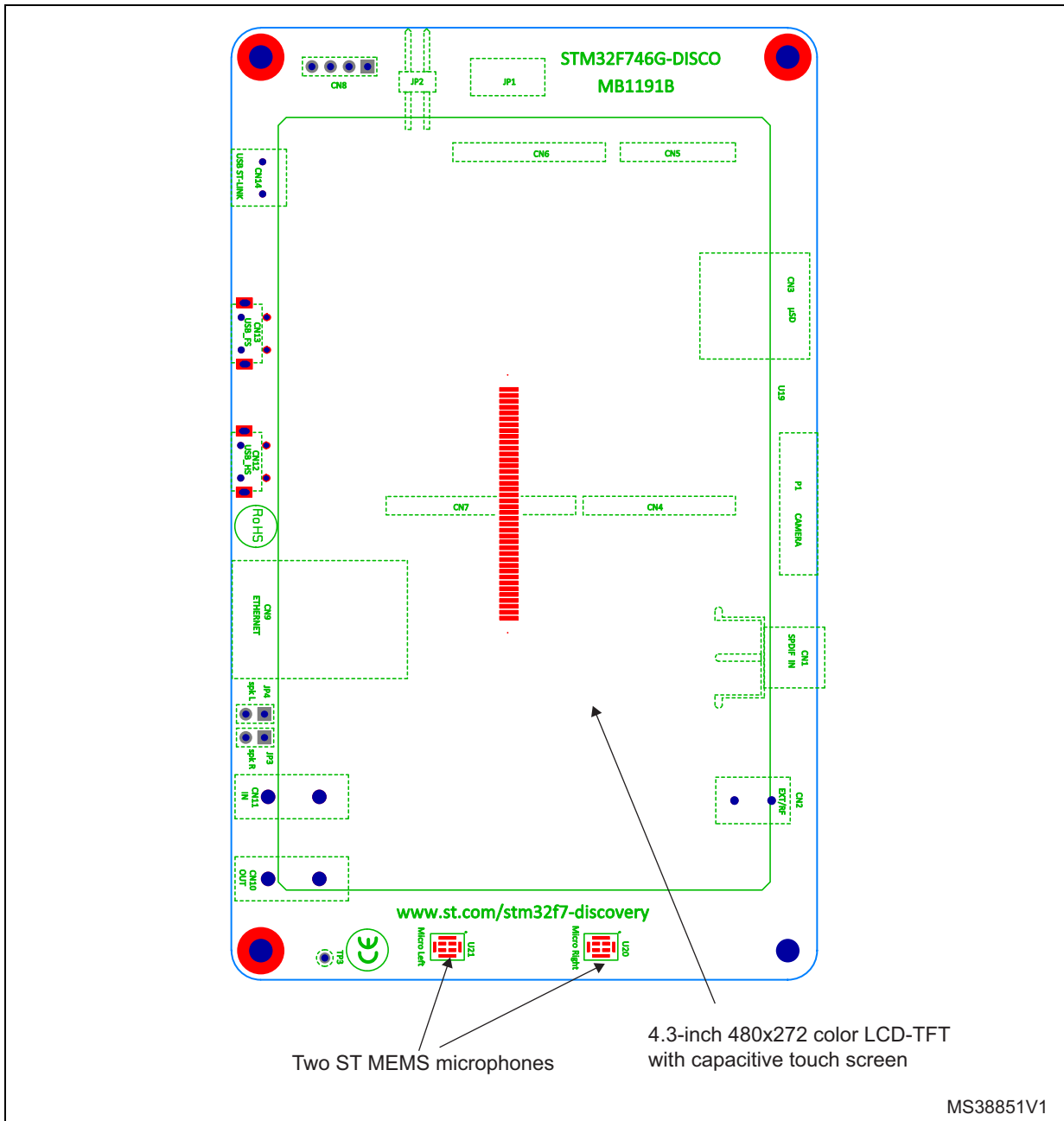


Figure 5. STM32F746G-DISCO discovery board bottom layout



Two ST MEMS microphones

4.3-inch 480x272 color LCD-TFT with capacitive touch screen

MS38851V1



## 1.1 Embedded ST-LINK/V2-1

The ST-LINK/V2-1 programming and debugging tool is integrated on the STM32F746G-DISCO discovery board. Compared to ST-LINK/V2 the changes are listed below.

The new features supported on ST-LINK/V2-1 are:

- USB software re-enumeration
- Virtual Com port interface on USB
- Mass storage interface on USB
- USB power management request for more than 100mA power on USB

These features are no more supported on ST-LINK/V2-1:

- SWIM interface
- Application voltage lower than 3 V

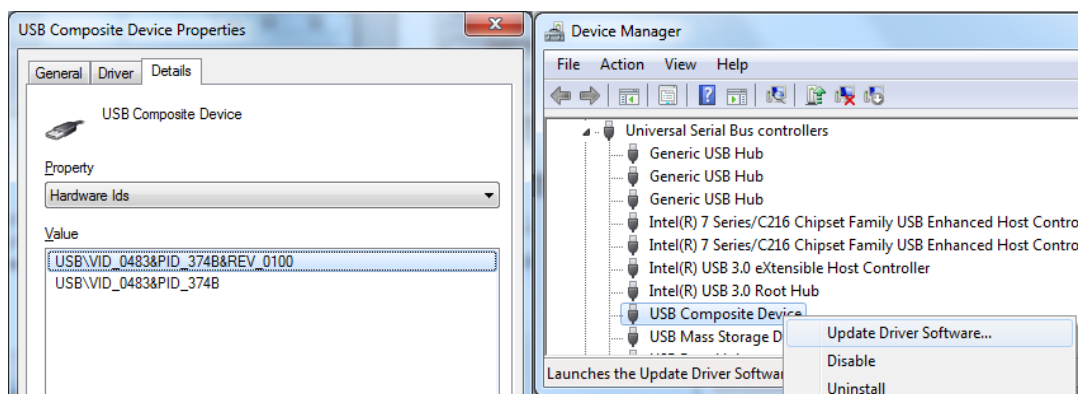
For all general information concerning debugging and programming features common between V2 and V2-1 please refer to ST-LINK/V2 user manual (UM1075).

### 1.1.1 Drivers

The ST-LINK/V2-1 requires a dedicated USB driver, which can be found on [www.st.com](http://www.st.com) for Windows 7 and 8. On Windows XP the ST-LINK/V2-1 driver requires WinUsb to be installed before using the ST-LINK/V2-1 (either available from Microsoft website or included in the USB driver for ST-LINK/V2 for XP).

In case the STM32F746G-DISCO discovery board is connected to the PC before the driver is installed, some STM32F746G-DISCO interfaces may be declared as “unknown” in the PC device manager. In this case the user must install the driver files, and update the driver of the connected device from the device manager.

*Note: Prefer using the “USB Composite Device” handle for a full recovery.*



### 1.1.2 ST-LINK/V2-1 firmware upgrade

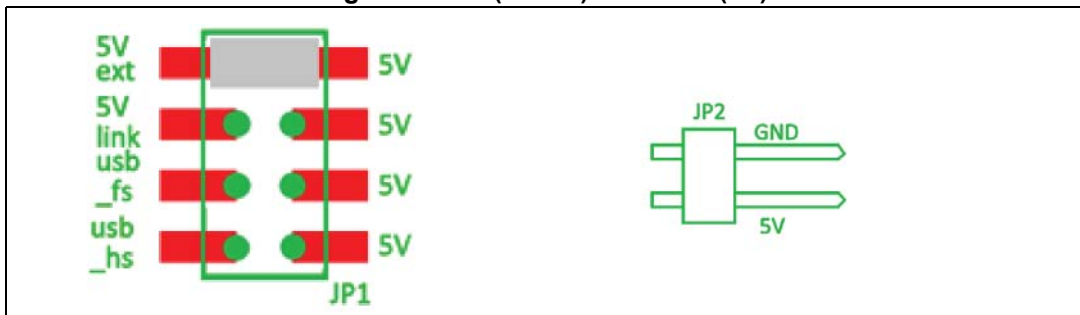
The ST-LINK/V2-1 embeds a firmware upgrade mechanism for in-situ upgrade through the USB port. As the firmware may evolve during the life time of the ST-LINK/V2-1 product (for example new functionality, bug fixes, support for new microcontroller families), it is recommended to visit [www.st.com](http://www.st.com) before starting to use the STM32F746G-DISCO board and periodically, in order to stay up-to-date with the latest firmware version.

## 1.2 Power supply

STM32F746G-DISCO discovery board is designed to be powered by 5V DC power supply. It's possible to configure the discovery board to use any of the following five sources for the power supply.

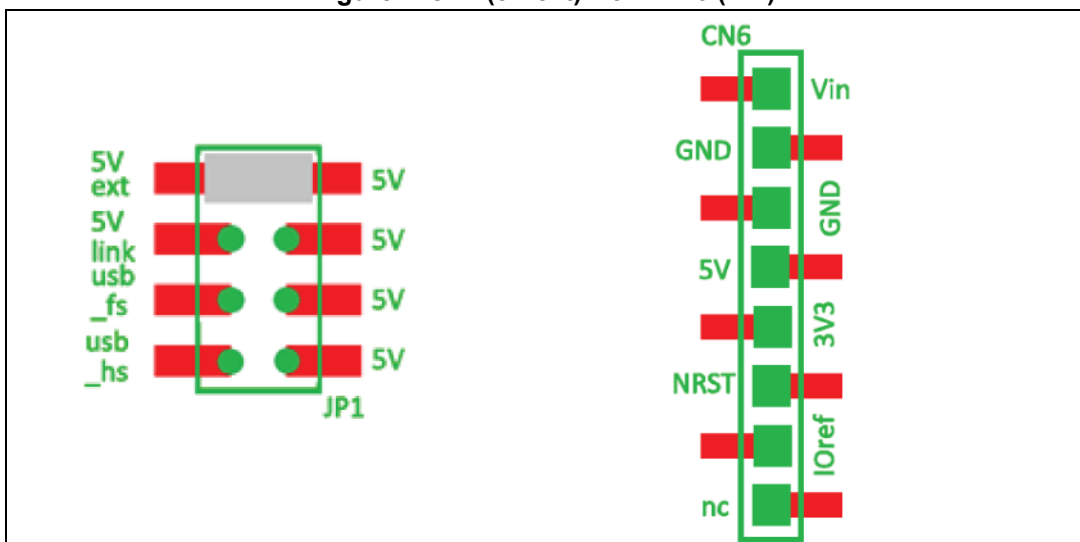
- 5V DC power adapter connected to JP2 (external power supply on silkscreen of JP1 (5V ext)).

Figure 6. JP1 (5V ext) from JP2 (5V)



- 7-12V DC power from CN6 pin named Vin on silkscreen, the extension connectors for Arduino UNO shields or daughterboard (external power source on silkscreen of JP1 (5V ext)).

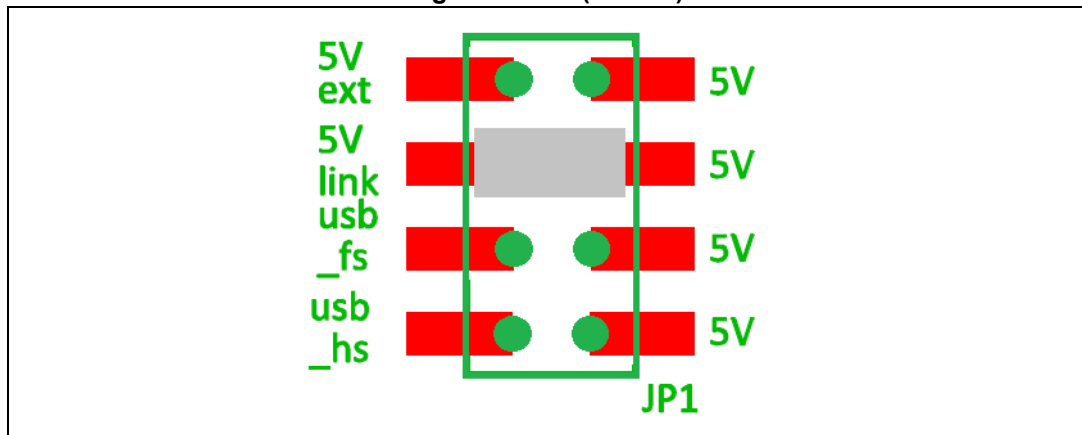
Figure 7. JP1 (5V ext) from CN6 (Vin)



- 5V DC power with limitation from CN14, the USB type mini-B connector of ST-LINK/V2-1 (USB 5V power source on silkscreen of JP1 (5V link)). It is the default setting. If the USB enumeration succeeds (as explained below), the ST-LINK 5V link power is enabled, by asserting the PWR\_ENn signal. This pin is connected to a power switch (ST890), which powers the board. This power switch features also a current limitation to protect the PC in case of a short-circuit on board (more than 600mA).

STM32F746G-DISCO discovery board can be powered from ST-LINK USB connector CN14 (5V link), but only ST-LINK circuit has the power before USB enumeration, because the host PC only provides 100mA to the board at that time. During the USB enumeration, STM32F746G-DISCO board asks for the 500mA power to the host PC. If the host is able to provide the required power, the enumeration finishes by a “SetConfiguration” command and then, the power transistor U8 (ST890) is switched ON, the red LED LD2 is turned ON, thus STM32F746G-DISCO board can consume maximum 500mA current, but no more. If the host is not able to provide the requested current, the enumeration fails. Therefore the ST890 (U8) remains OFF and the MCU part including the extension board won't be powered. As a consequence the red LED LD2 remains turned OFF. In this case it is mandatory to use an external power supply.

Figure 8. JP1 (5V link)



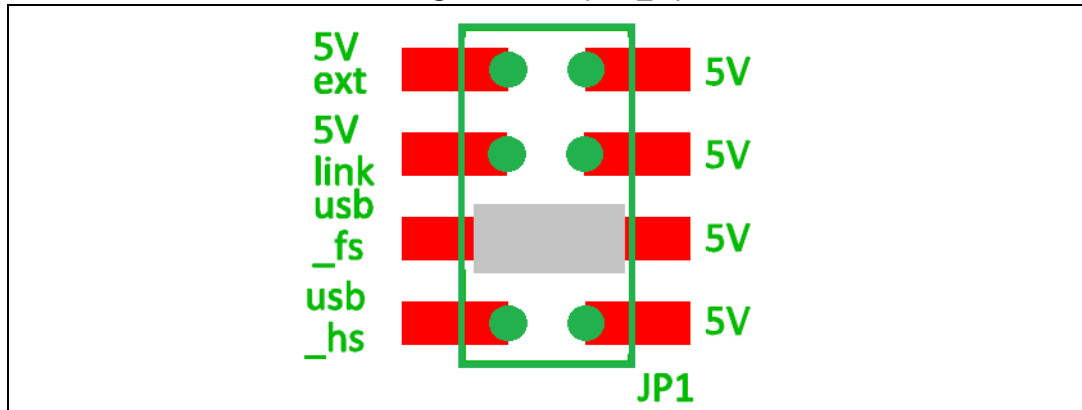
**Note:** In case the board is powered by an USB charger, there is no USB enumeration, so the led LD2 remains set to OFF permanently and the board is not powered. Only in this specific case, the resistor R109 needs to be soldered, to allow the board to be powered anyway.

The LED LD2 is lit when the STM32F746G-DISCO discovery board is powered by the 5V correctly.

**Caution:** Do not connect PC to ST-LINK (CN14) when R109 is soldered. PC may be damaged or the board not powered correctly.

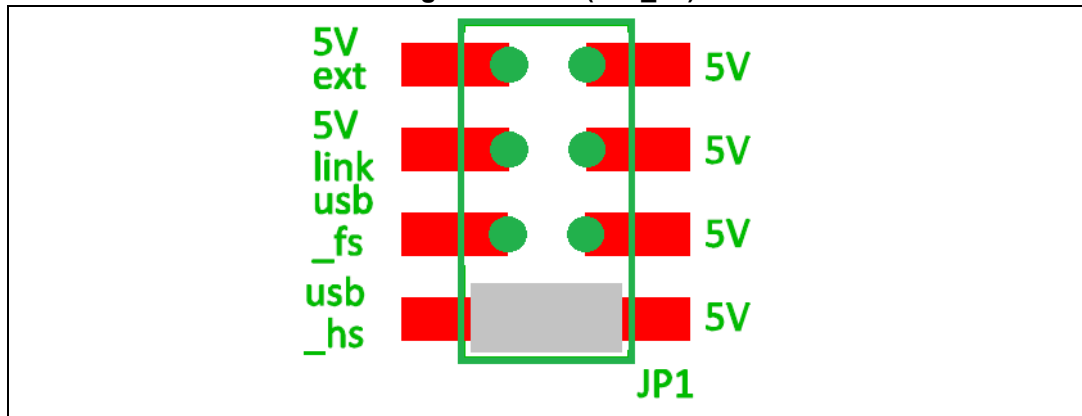
- 5V DC power with 500mA limitation from CN13, the USB OTG FS micro-AB connector (USB 5V power source on silkscreen of JP1 (usb\_fs)).

Figure 9. JP1 (usb\_fs)



- 5V DC power with 500mA limitation from CN12, the USB OTG HS micro-AB connector (USB 5V power source on silkscreen of JP1 (usb\_hs)).

Figure 10. JP1 (usb\_hs)



### 1.3 Programming/debugging when the power supply is not from ST-LINK (5V link)

It is mandatory to power the board first using JP1 (5V ext) or (usb\_hs) or (usb\_fs), then connecting the USB cable to the PC. Proceeding this way ensures that the enumeration succeeds thanks to the external power source.

The following power sequence procedure must be respected:

1. Connect the jumper JP1 on (5V ext) or (usb\_hs) or (usb\_fs)
2. Connect the external power source to JP2 or CN6 or CN12 or CN13
3. Check the red LED LD2 is turned ON
4. Connect the PC to USB connector CN14

If this order is not respected, the board may be powered by VBUS first from ST-LINK, and the following risks may be encountered:

1. If more than 500mA current is needed by the board, the PC may be damaged or current can be limited by PC. As a consequence the board is not powered correctly.
2. 500mA will be requested at the enumeration, so there is a risk that the request is rejected and enumeration does not succeed if PC can't provide such current.

## 1.4 Clock sources

Up to 3 clock sources as described below:

- X1, 24MHz oscillator for USB OTG HS PHY and camera module (daughterboard)
- X2, 25MHz oscillator for STM32F746NGH6 microcontroller and Ethernet PHY.
- X3, 32KHz crystal for STM32F746NGH6 embedded RTC

## 1.5 Reset sources

The reset signal of STM32F746G-DISCO discovery board is active low and the reset sources include:

- Reset button B2
- Arduino Uno shield board from CN6
- Embedded ST-LINK/V2-1

## 1.6 Audio

An audio codec WM8994ECS/R from CIRRUS with 4 DACs & 2ADCs is connected to SAI interface of STM32F746NGH6. It communicates with STM32F746NGH6 via I2C bus shared with the camera module and I2C extension connector.

- The analog line input is connected to ADC of WM8994ECS/R through blue audio jack CN11.
- The analog line output is connected to DAC of WM8994ECS/R via green audio jack CN10.
- Two external speakers can be connected to WM8994ECS/R via JP3 for right speaker and JP4 for left speaker.
- Two digital microphones (ST MEMs microphone) MP34DT01TR are on STM32F746G-DISCO discovery board. They are connected to the input digital microphones of WM8994ECS/R.
- One coaxial connector CN1 is implemented on STM32F746G-DISCO to receive external audio data compatible with SPDIF specification.

## 1.7 USB OTG FS

STM32F746G-DISCO discovery board supports USB OTG full speed communication via a USB micro-AB connector (CN13) and USB power switch (U6) connected to VBUS. The discovery board can be powered by this USB connection at 5V DC with 500mA current limitation.

A green LED LD5 will be lit in one of these cases:

- Power switch (U6) is ON and STM32F746G-DISCO works as an USB host
- VBUS is powered by another USB host when STM32F746G-DISCO works as an USB device.

The red LED LD6 will be lit when an over-current occurs.

*Note:* STM32F746G-DISCO board should be powered by external power supply when using OTG function.

## 1.8 USB OTG HS

STM32F746G-DISCO discovery board supports USB OTG high speed communication via an USB micro-AB connector (CN12), USB high speed PHY (U15) USB3320C-EZK from MICROCHIP for high speed function.

The discovery board can be powered by the USB connectors (CN12) at 5V DC with 500mA current limitation.

An USB power switch (U7) is also connected on VBUS and provides power to CN12.

The green LED LD4 will be lit when either:

- Power switch (U17) is ON and STM32F746G-DISCO works as an USB host
- VBUS is powered by another USB host when STM32F746G-DISCO works as an USB device.

The red LED LD3 will be lit when an over-current occurs.

*Note:* STM32F746G-DISCO board should be powered by external power supply when using OTG function.

## 1.9 MicroSD card

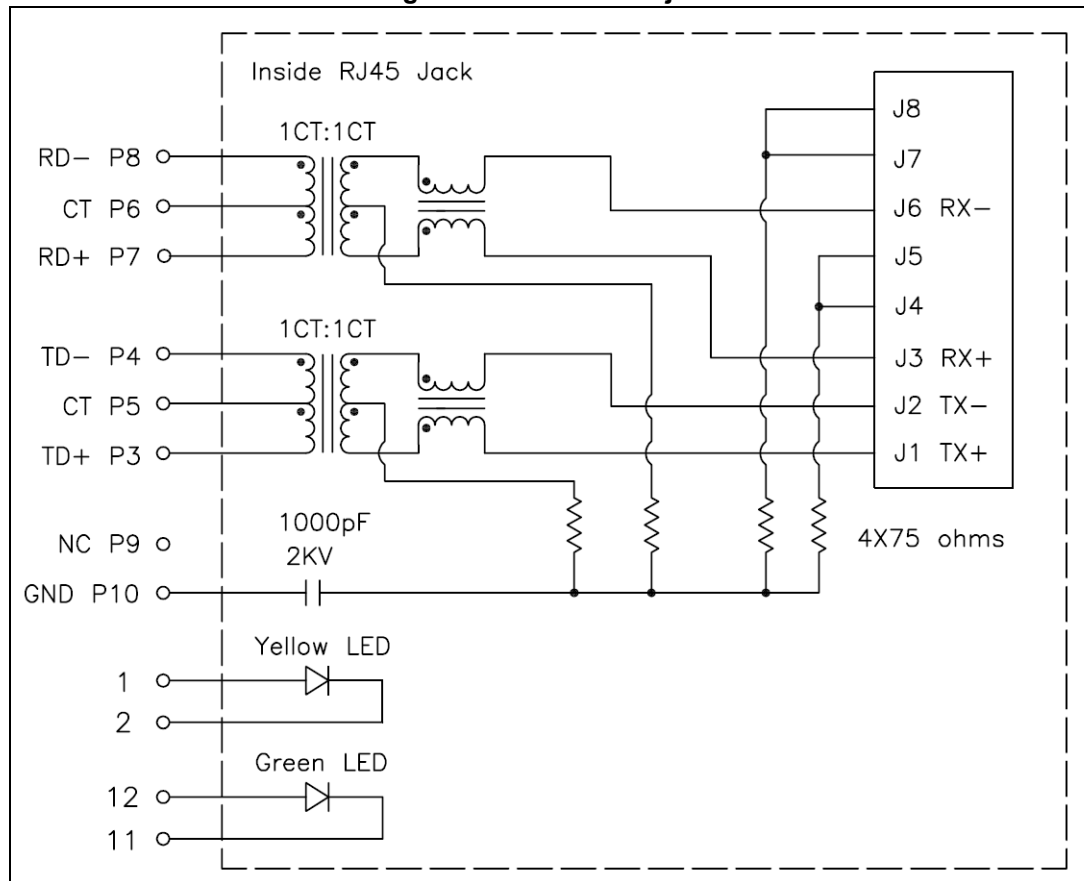
The 2GB (or more) MicroSD card connected to SDMMC1 port of STM32F746NGH6 is supported by the board.

### 1.10 Ethernet

STM32F746G-DISCO discovery board supports 10M/100M Ethernet communication by a PHY LAN8742A-CZ-TR (U9) from MICROCHIP and integrated RJ45 connector (CN9). Ethernet PHY is connected to STM32F746NGH6 via RMI interface.

25 MHz clock for the PHY is generated by the oscillator X2, the 50 MHz clock for the STM32F746NGH6 is generated by the PHY RMII\_REF\_CLK.

Figure 11. Inside RJ45 jack



### 1.11 SDRAM memory

128-Mbit SDRAM (MT48LC4M32B2B5-6A from MICRON) is connected to FMC interface of STM32F746NGH6. Only lower 16bits data are used (64-Mbits accessible). DQ16 to DQ31 are unused and connected to a 10K ohm pull-down resistor.

### 1.12 Quad-SPI Nor Flash memory

128-Mbit Quad-SPI Nor Flash memory (N25Q128A13EF840E from MICRON) is connected to Quad-SPI interface of STM32F746NGH6.

### **1.13 Camera module**

A connector P1 with the DCMI signals is available to connect a camera module such as STM32F4DIS-CAM (ST order code).

### **1.14 Display LCD-TFT**

The color display from ROCKTECH, 4.3-inch 480x272 LCD-TFT with capacitive touch panel is connected to RGB LCD interface of STM32F746NGH6.



## 2 Connectors

### 2.1 I2C extension connector CN2

Figure 12. I2C extension connector CN2 (front view)

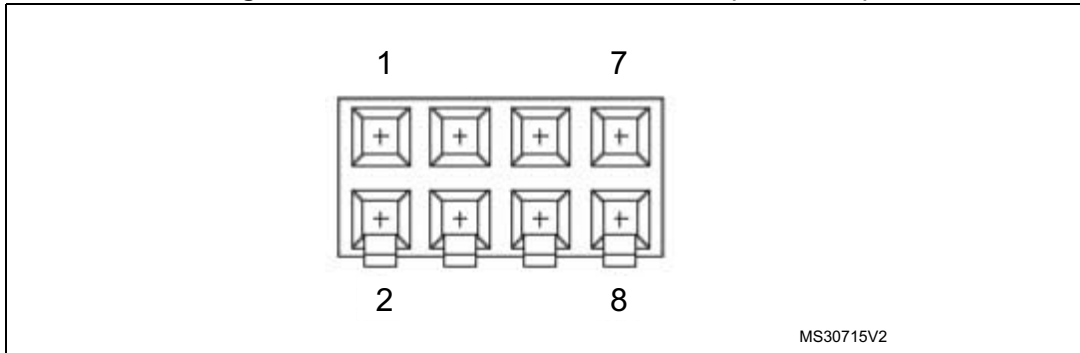


Table 1. I2C extension connector CN2

Pin number	Description	Pin number	Description
1	I2C_SDA (PB9)	5	+3V3
2	NC	6	NC
3	I2C_SCL (PB8)	7	GND
4	RESET(PC10)	8	NC or 5V

### 2.2 Camera module connector P1

Figure 13. Camera module connector P1 (front view)

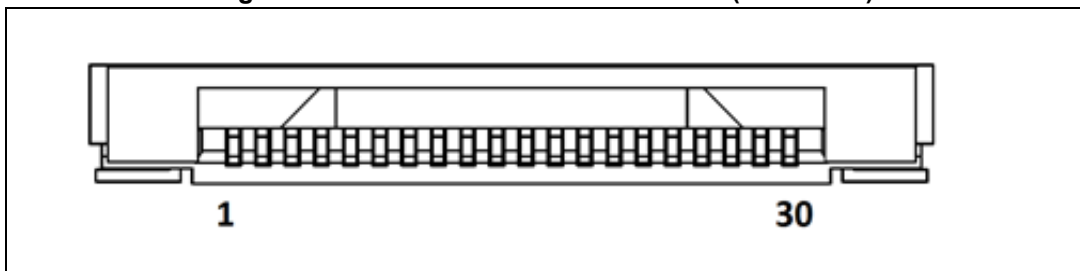


Table 2. Camera module connector P1

Pin number	Description	Pin number	Description
1	GND	16	GND
2	NC	17	DCMI_HSYNC
3	NC	18	NC
4	DCMI_D0	19	DCMI_VSYNC
5	DCMI_D1	20	3V3

Table 2. Camera module connector P1 (continued)

Pin number	Description	Pin number	Description
6	DCMI_D2	21	Camera_CLK (OSC_24M)
7	DCMI_D3	22	NC
8	DCMI_D4	23	GND
9	DCMI_D5	24	NC
10	DCMI_D6	25	DCMI_PWR_EN
11	DCMI_D7	26	DCMI_NRST
12	NC	27	DCMI_SDA
13	NC	28	DCMI_SCL
14	GND	29	GND
15	DCMI_PIXCK	30	3V3

## 2.3 Arduino Uno revision 3 connectors

CN4, CN5, CN6 and CN7 are female connectors compatible with Arduino standard. Most shields designed for Arduino can fit to the STM32F746G-DISCO discovery board.

The Arduino connectors on STM32F746G-DISCO discovery board support the Arduino Uno revision 3.

**Caution:** The IOs of STM32 microcontroller are 3.3 V compatible instead of 5 V for Arduino Uno.

Table 3. Arduino connectors (CN4, CN5, CN6, CN7)

Left connectors					-	Right connectors				
CN No.	Pin No.	Pin Name	MCU Pin	Function		Function	MCU Pin	Pin Name	Pin No.	CN No.
-					I2C1_SCL	PB8	D15	10	CN7 digital	
					I2C1_SDA	PB9	D14	9		
					AVDD	-	AREF	8		
					Ground	-	GND	7		
CN6 power	1	NC	-	-	SPI2_SCK	PI1	D13	6		
	2	IOREF	-	3.3V Ref	SPI2_MISO	PB14	D12	5		
	3	RESET	NRST	RESET	TIM12_CH2, SPI2_MOSI	PB15	D11	4		
	4	+3V3	-	3.3V input/output	TIM5_CH4, SPI2_NSS	PI0	D10	3		
	5	+5V	-	5V output	TIM2_CH1	PA15	D9	2		
	6	GND	-	Ground	-	PI2	D8	1		
	7	GND	-	Ground	-					
	8	VIN	-	Power input	-	PI3	D7	8	CN4 digital	
-					TIM12_CH1	PH6	D6	7		
-					TIM1_CH1	PA8	D5	6		
-					-	PG7	D4	5		
-					TIM3_CH1	PB4	D3	4		
-					-	PG6	D2	3		
-					USART6_TX	PC6	D1	2		
CN5 analog	1	A0	PA0	ADC3_IN0	USART6_RX	PC7	D0	1		
	2	A1	PF10	ADC3_IN8						
	3	A2	PF9	ADC3_IN7						
	4	A3	PF8	ADC3_IN6						
	5	A4	PF7 or PB <sup>(1)</sup>	ADC3_IN5 (PF7) or I2C1_SDA (PB9)						
	6	A5	PF6 or PB8 <sup>(1)</sup>	ADC3_IN4 (PC0) or I2C1_SCL (PB8)						

1. Please refer to [Table 10](#) for details.

## 2.4 USB OTG HS micro-AB connector CN12

Figure 14. USB OTG micro-AB connector CN12 (front view)

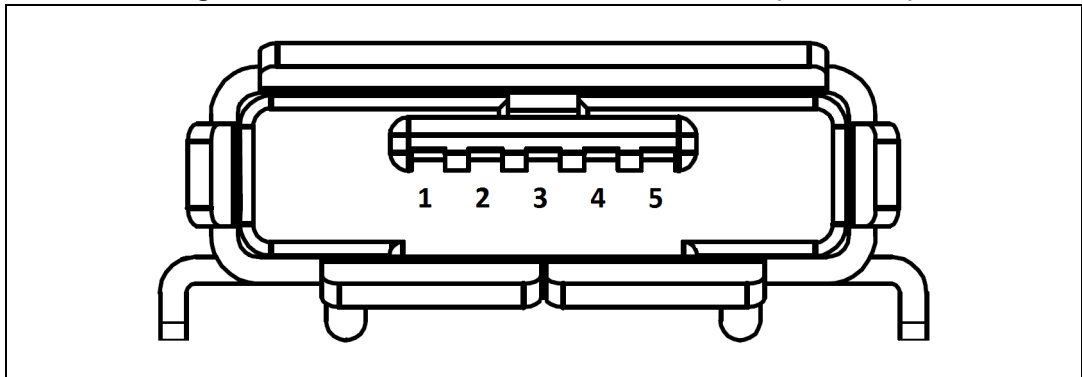


Table 4. USB OTG HS micro-AB CN12

Pin number	Description	Pin number	Description
1	VBUS	4	ID
2	D-	5	GND
3	D+	-	-

## 2.5 Ethernet RJ45 connector CN9

Figure 15. Ethernet RJ45 connector CN9 (front view)

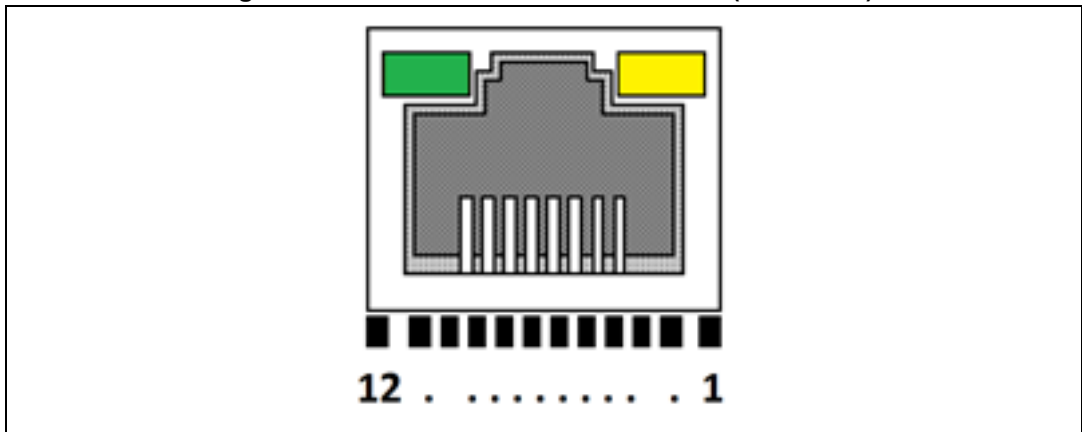


Table 5. RJ45 connector CN9

Pin number	Description	Pin number	Description
1	A, yellow LED	7	RD+
2	K, yellow LED	8	RD-
3	TD+	9	NC
4	TD-	10	GND
5	CT, 3V3	11	K, green LED
6	CT, 3V3	12	A, green LED

## 2.6 USB OTG FS micro-AB connector CN13

Figure 16. USB OTG micro-AB connector CN13 (front view)

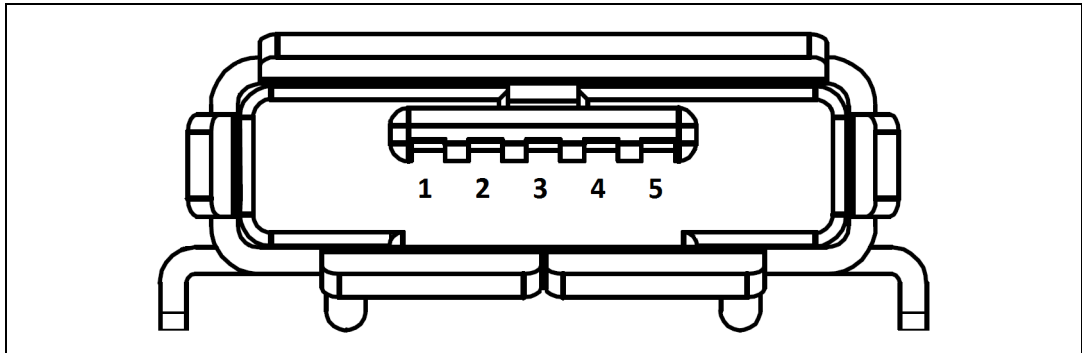


Table 6. USB OTG FS micro-AB connector CN13

Pin number	Description	Pin number	Description
1	VBUS (PA9)	4	ID (PA10)
2	D- (PA11)	5	GND
3	D+ (PA12)	-	-

## 2.7 MicroSD connector CN3

Figure 17. MicroSD connector CN3 (front view)

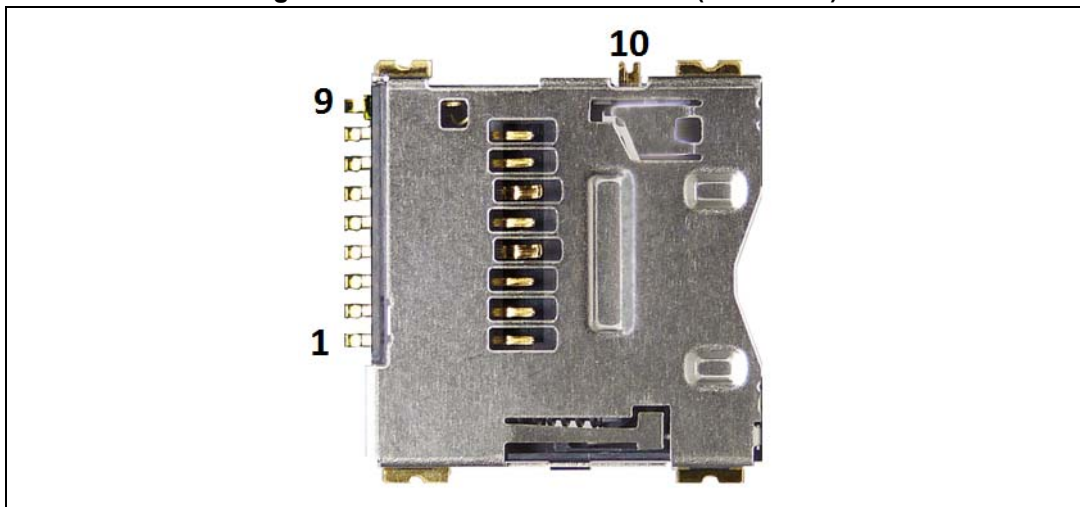


Table 7. MicroSD connector CN3

Pin number	Description	Pin number	Description
1	SDMMC_D2 (PC10)	6	Vss/GND
2	SDMMC_D3 (PC11)	7	SDMMC_D0 (PC8)
3	SDMMC_CMD (PD2)	8	SDMMC_D1 (PC9)
4	+3.3V	9	GND
5	SDMMC_CK (PC12)	10	MicroSDcard_detect (PC13)

## 2.8 ST-LINK/V2-1 USB type B connector CN14

The USB connector CN21 is used to connect embedded ST-LINK/V2-1 to PC for programming and debugging of STM32F746NGH6 microcontroller.

Figure 18. USB type B connector CN14 (front view)

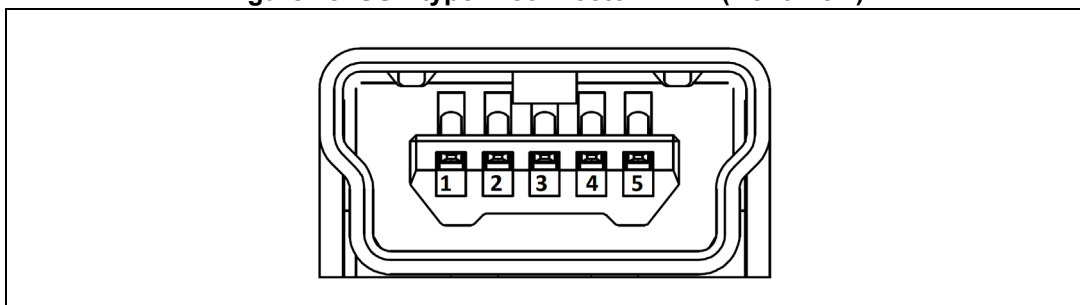


Table 8. USB type B connector CN14

Pin number	Description	Pin number	Description
1	VBUS (power)	4	GND
2	DM	5, 6	Shield
3	DP	-	-

## 2.9 Audio stereo speakers JP3 and JP4

The stereo audio outputs JP3 and JP4 are available to support stereo speakers (left and right)

## 2.10 Audio green jack (line Out) CN10

A 3.5mm stereo audio green jack output CN10 is available to support the headphone.

## 2.11 Audio blue jack (line In) CN11

A 3.5mm stereo audio blue jack input CN11 is available to support the audio line input.

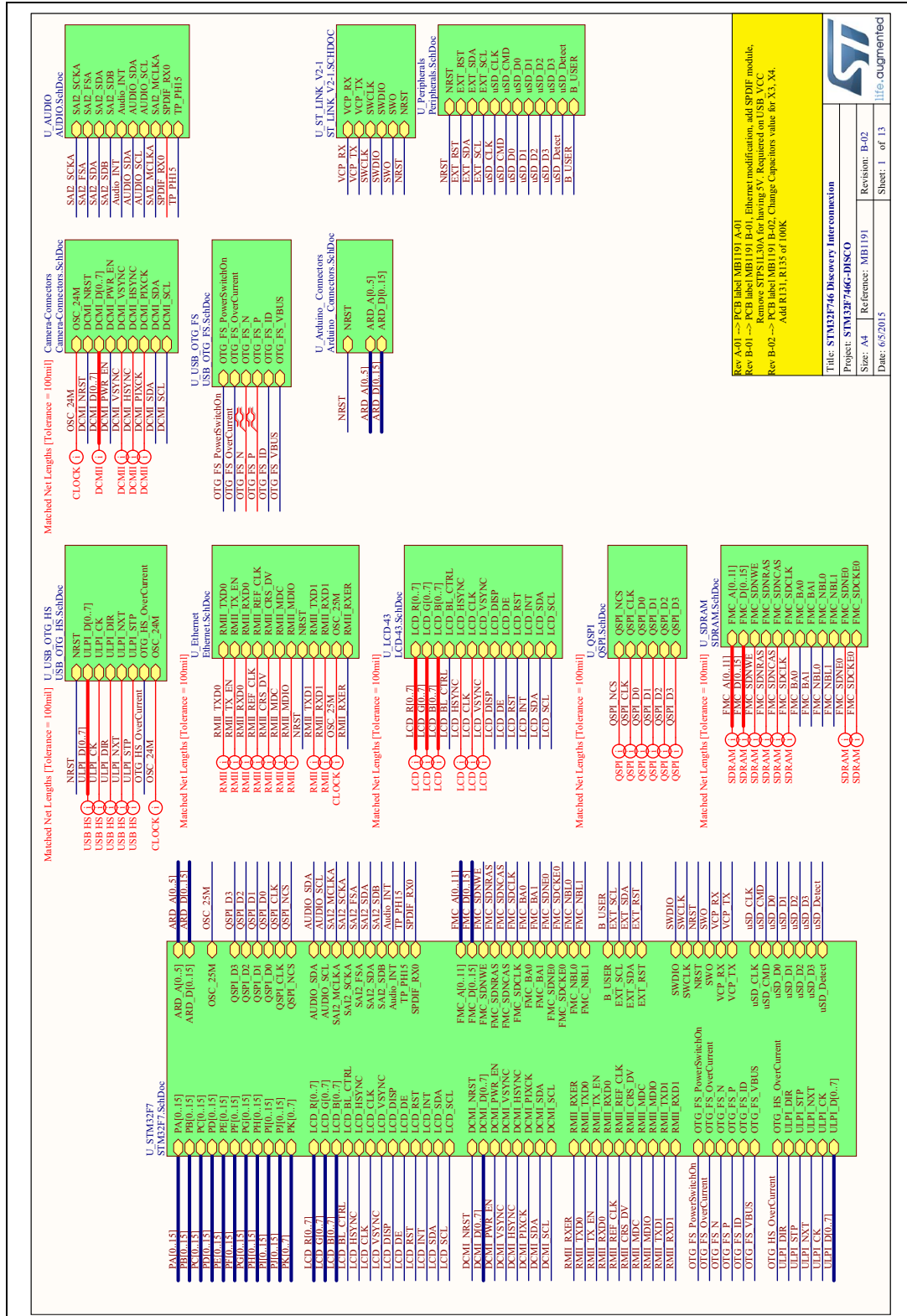
## 2.12 SPDIF input RCA connector CN1

Table 9. SPDIF input RCA connector CN1

Pin number	Description	Pin number	Description
1	SPDIF_RX0 (PD7)	2	GND
2	GND	-	-

# 3 Electrical schematics

### Figure 19. STM32F746 discovery interconnection



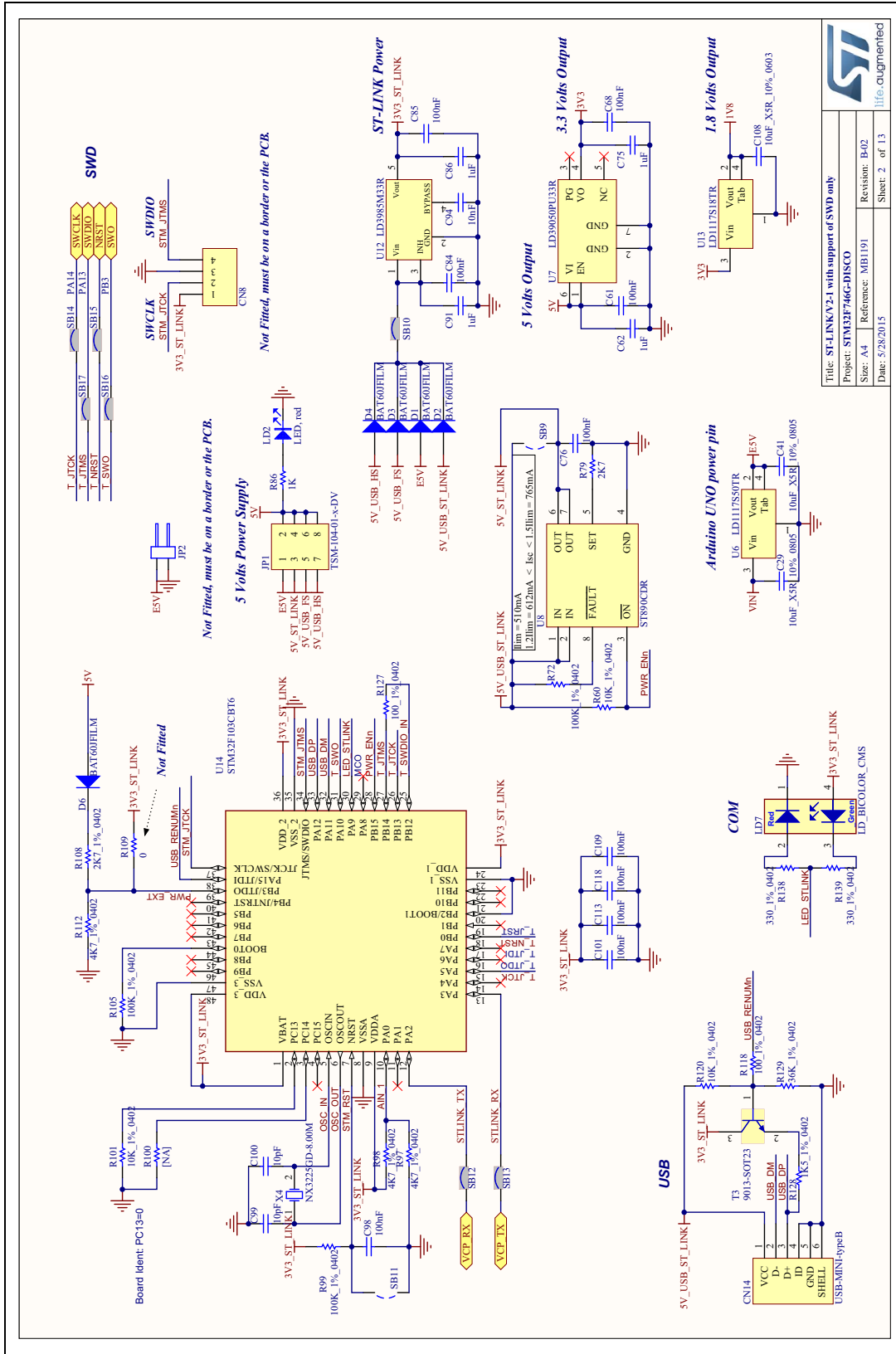
Rev A-01 -> PCB label MB1191 A-01  
 Rev B-01 -> PCB label MB1191 B-01, Ethernet modification, add SPDIF module, Remove STPS1L30A for having 5V. Required on USB\_VCC  
 Rev B-02 -> PCB label MB1191 B-02, Change Capacitors value for X3, X4, Add R131, R135 of 100K.

Title: STM32F746 Discovery Interconnection  
 Project: STM32F746G-DISCO  
 Size: A4 Reference: MB1191 Revision: B-02 Sheet: 1 of 13  
 Date: 6/5/2015





Figure 20. ST-LINK/V2-1 with support of SWD only

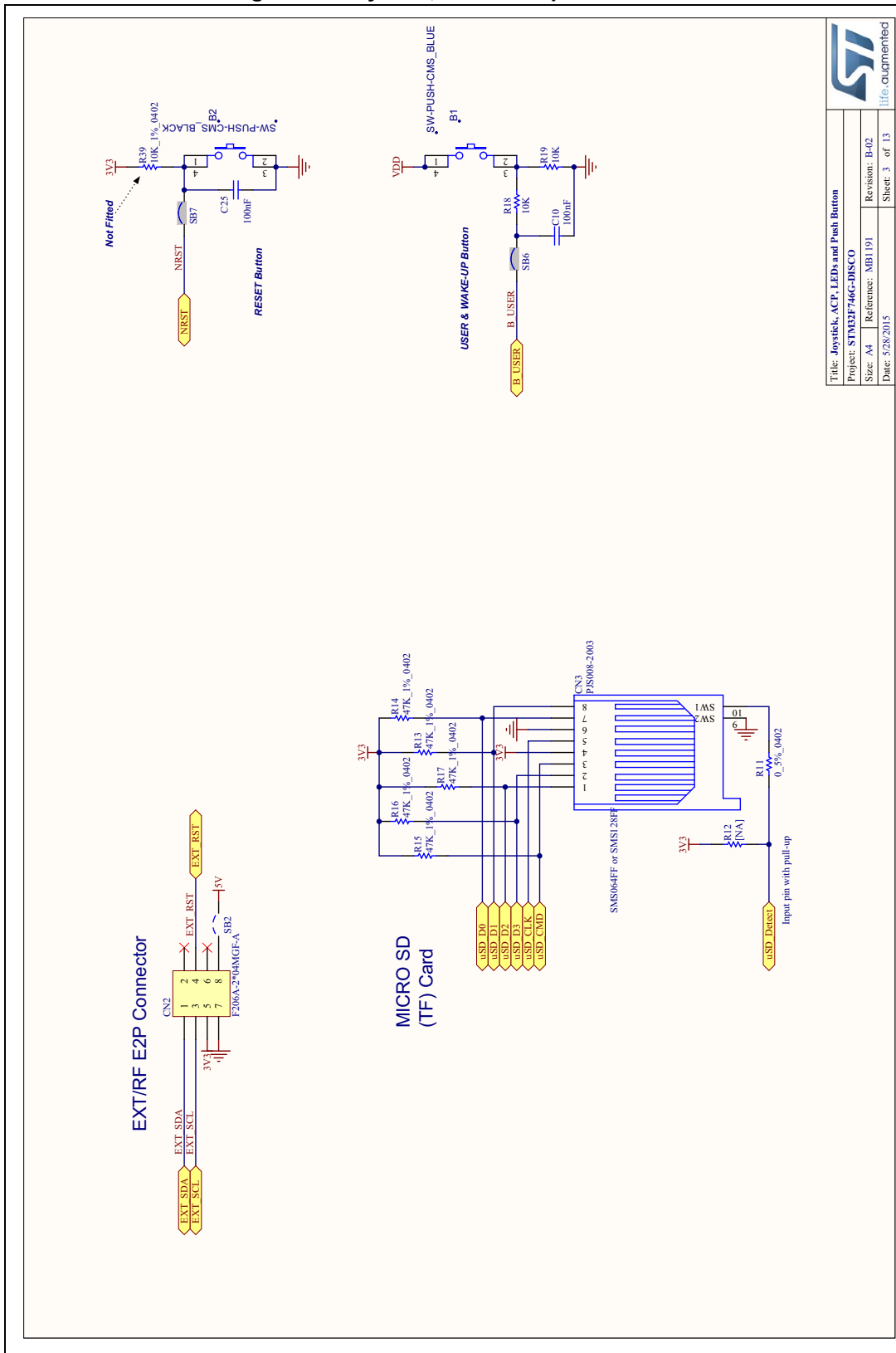


Title: ST-LINK/V2-1 with support of SWD only			
Project: STM32F46G-DISCO	Revision: B42		
Size: A4	Reference: MB1191		
Date: 5/28/2015	Sheet: 2	of 13	



life-augmented

Figure 21. Joystick, LEDs and pushbutton



	
Title: Joystick, ACT, LEDs and Push Button	
Project: STM32F746G-DISCO	
Size: A4	Revision: B-02
Date: 5/28/2015	Reference: MBI191
Sheet: 3	of 13
Life: augmented	

Figure 22. Audio codec Cirrus and connectors

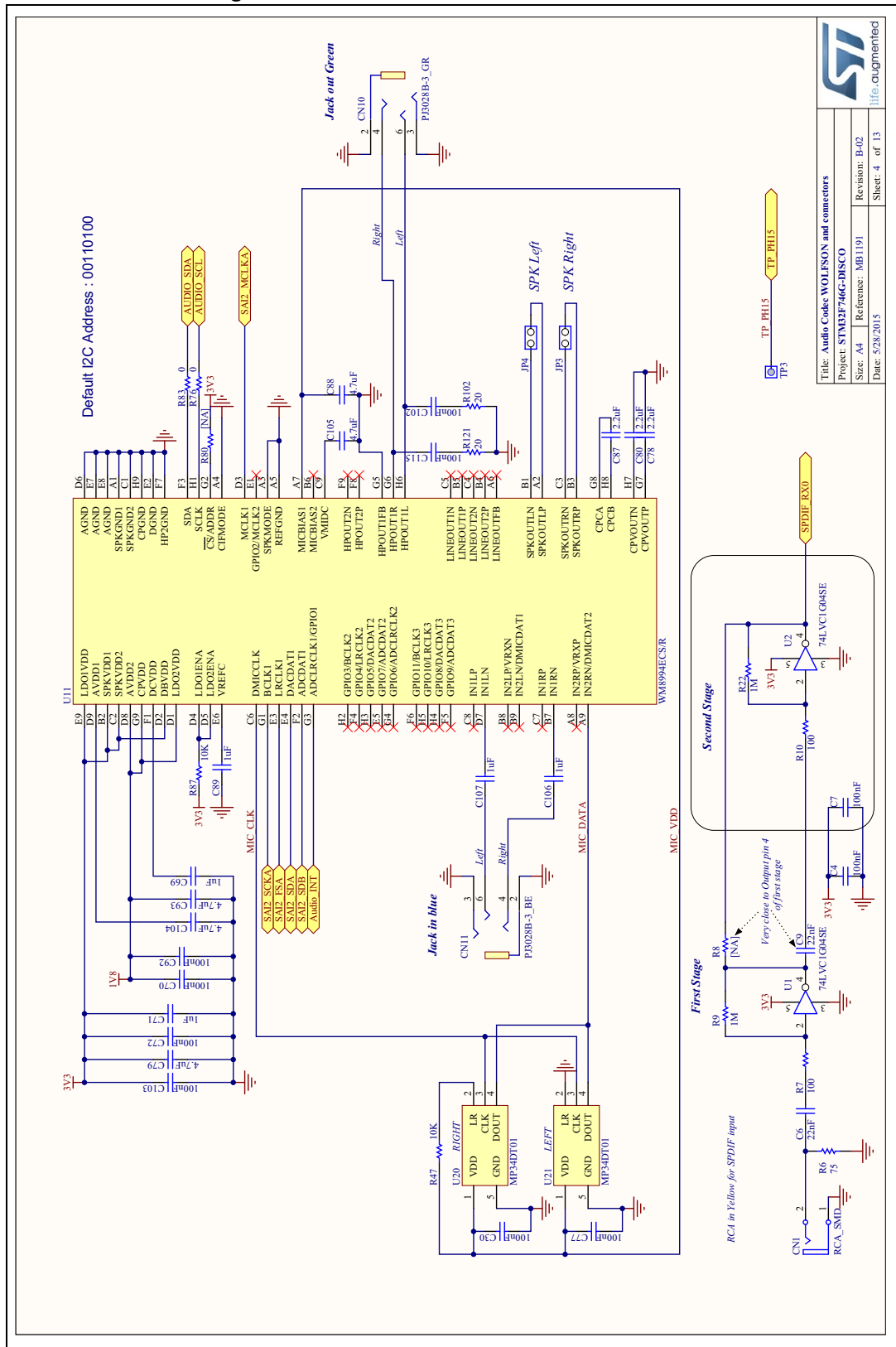
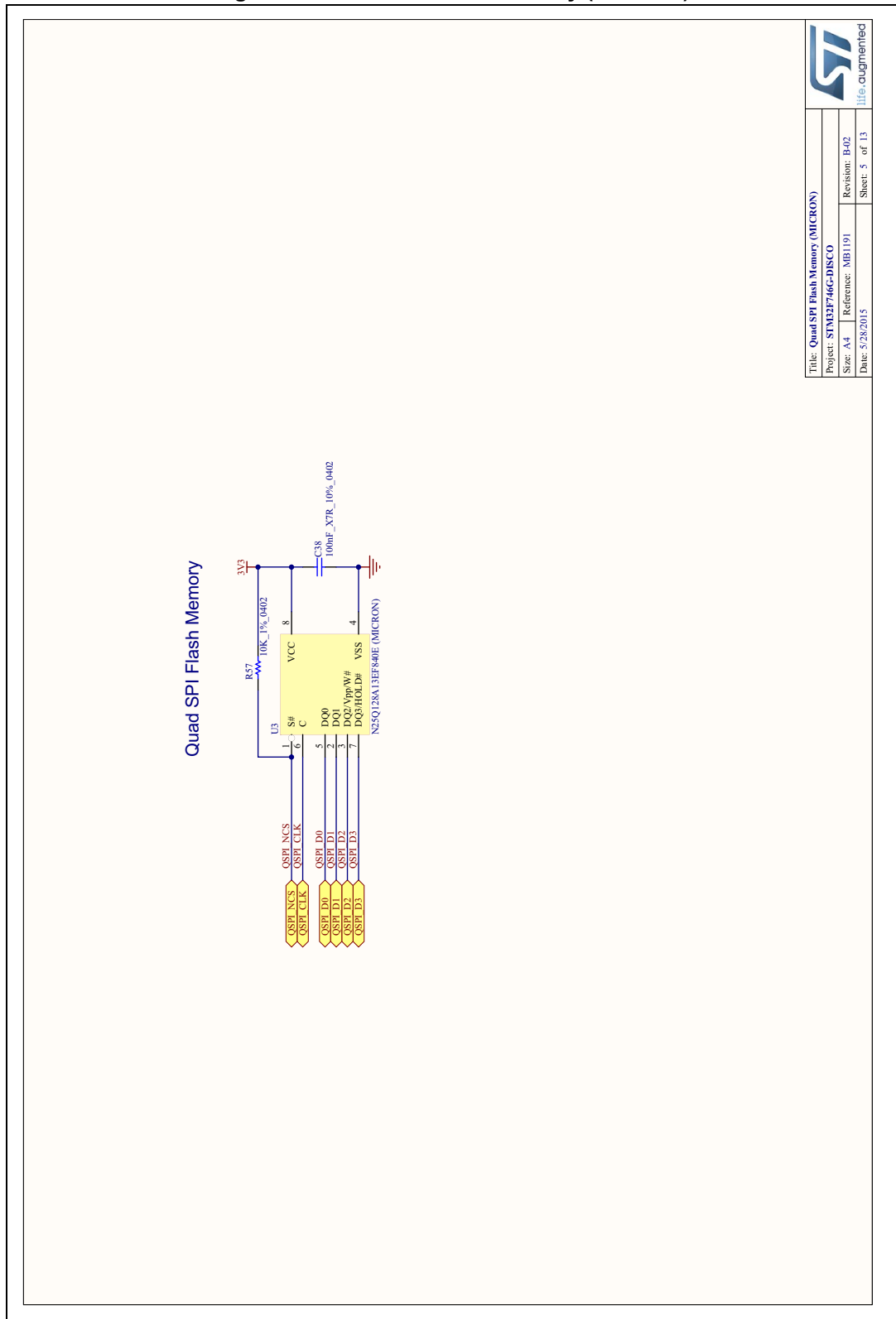
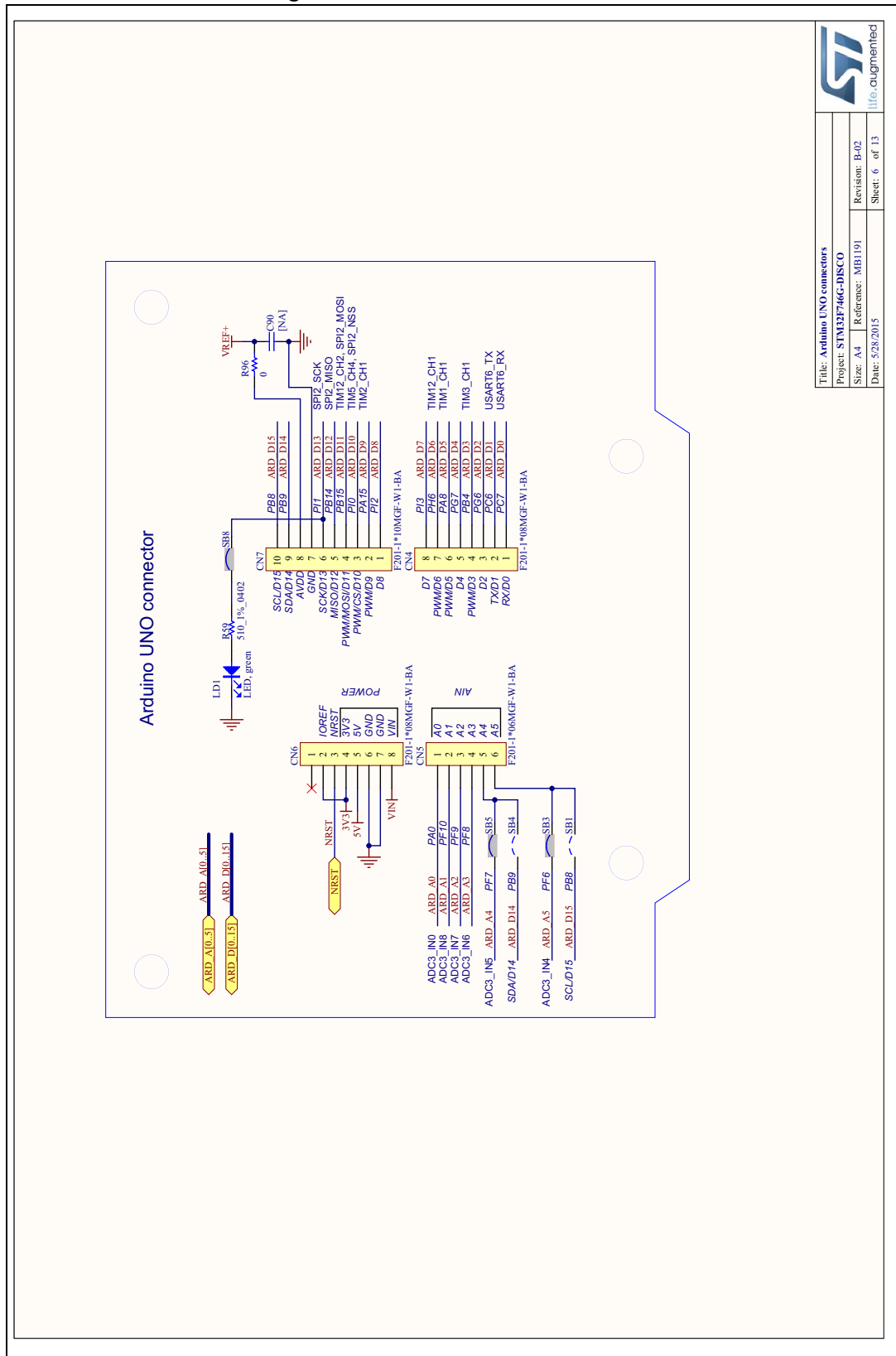


Figure 23. Quad-SPI Flash memory (MICRON)



Title: Quad SPI Flash Memory (MICRON)	
Project: STM32F746G-DISCO	
Size: A4	Reference: MB1191
Date: 5/20/2015	Revision: B42
Sheet: 5 of 13	
<a href="#">File augmented</a>	

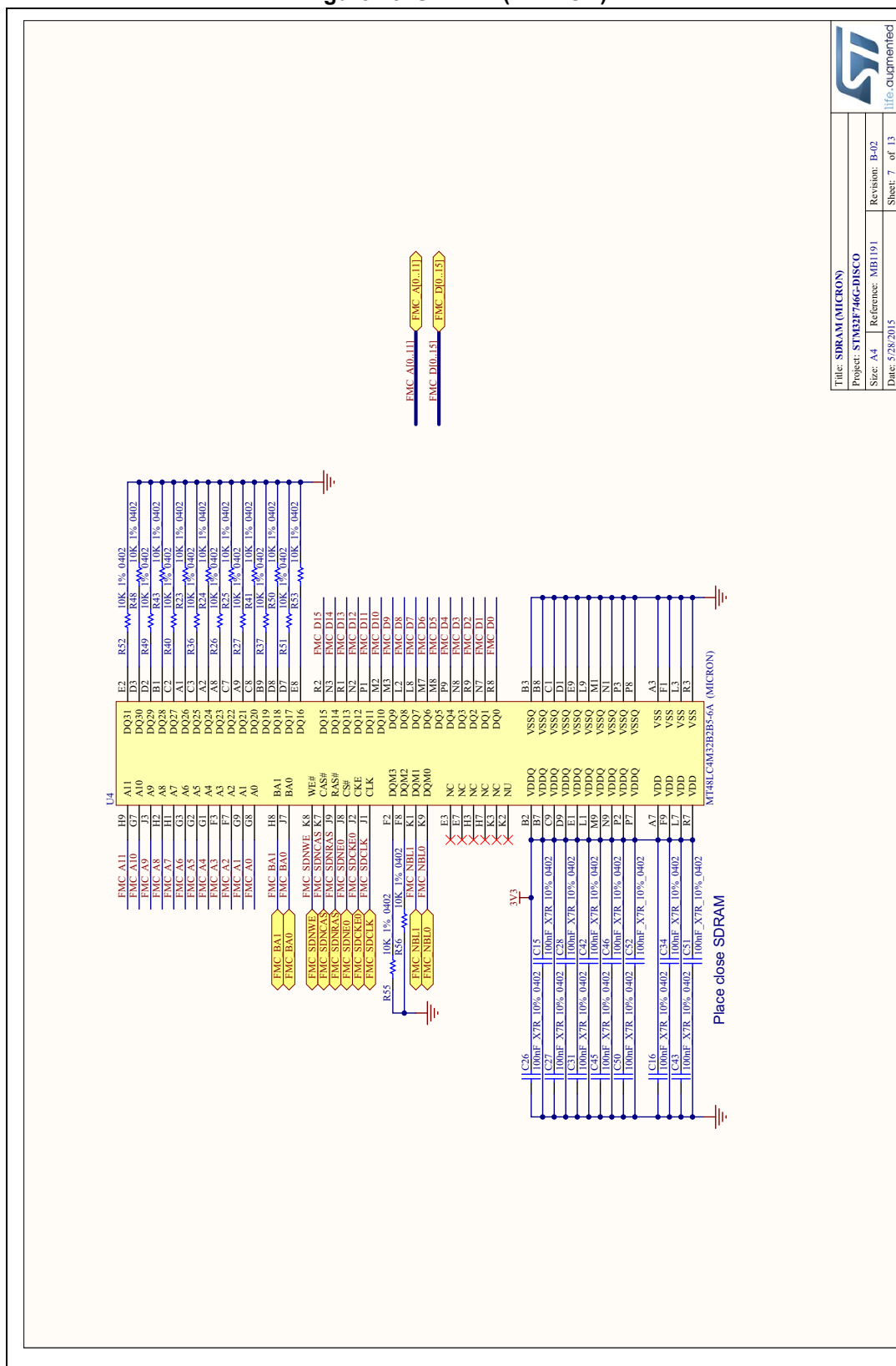
Figure 24. Arduino Uno connectors



Title: Arduino UNO connectors	
Project: STM32F46G-DISCO	Revision: B-02
Size: A4	Reference: MB1191
Date: 5/28/2015	Sheet: 6 of 13

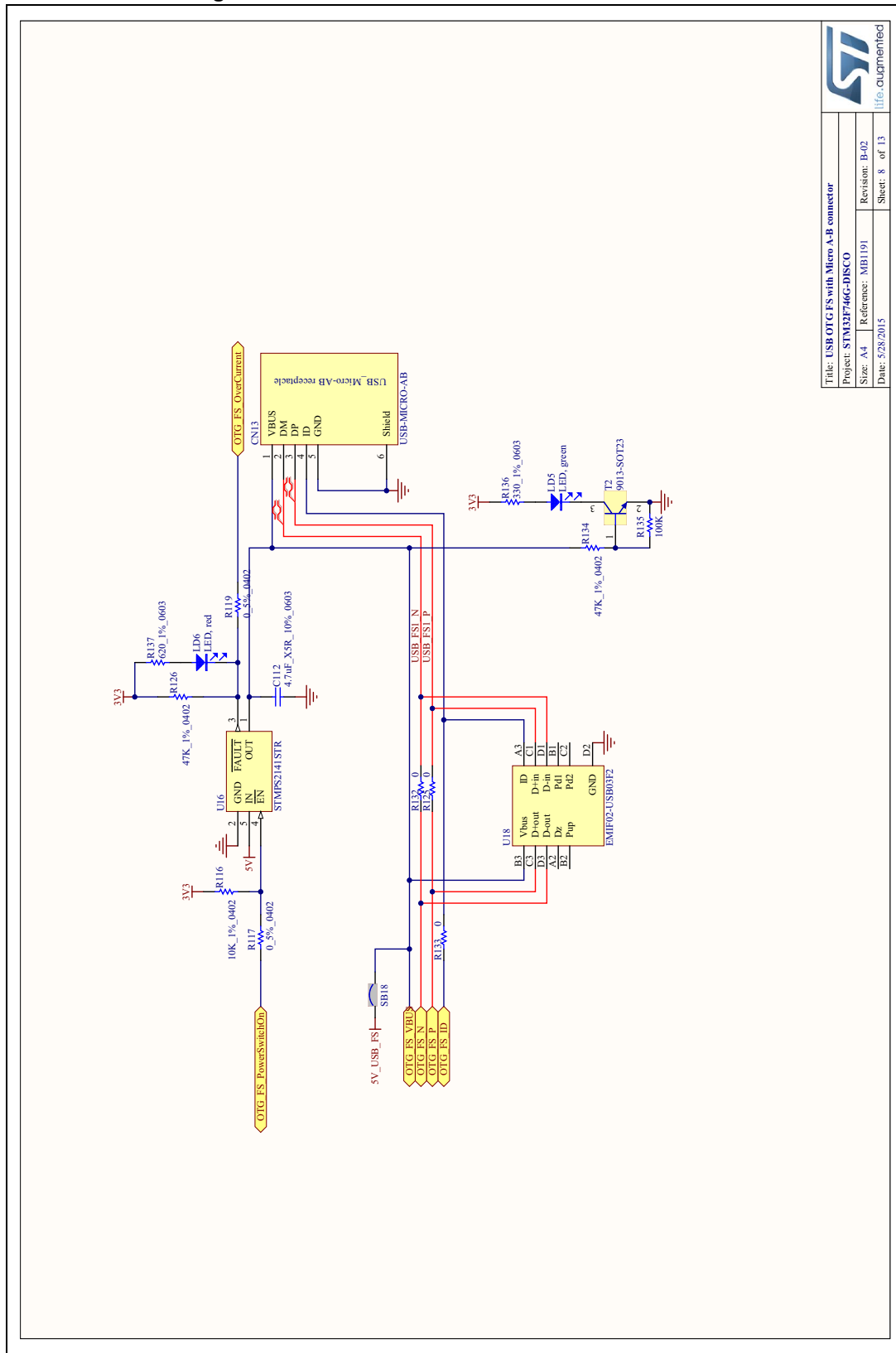


Figure 25. SDRAM (MICRON)



Title: SDRAM(MICRON)
   
 Project: STM32F746-DISCO
   
 Size: A4 | Reference: MB1191
   
 Date: 5/28/2015 | Revision: B-02 | Sheet: 7 of 13

Figure 26. USB OTG FS with micro A-B connector




			
Title: USB OTG FS with Micro A-B connector			
Project: STM32F469-DISCO			
Size: A4	Reference: MB1191	Revision: B-02	
Date: 5/28/2015		Sheet: 8 of 13	life.daugmentied

Figure 27. STM32F746NGH6 connection

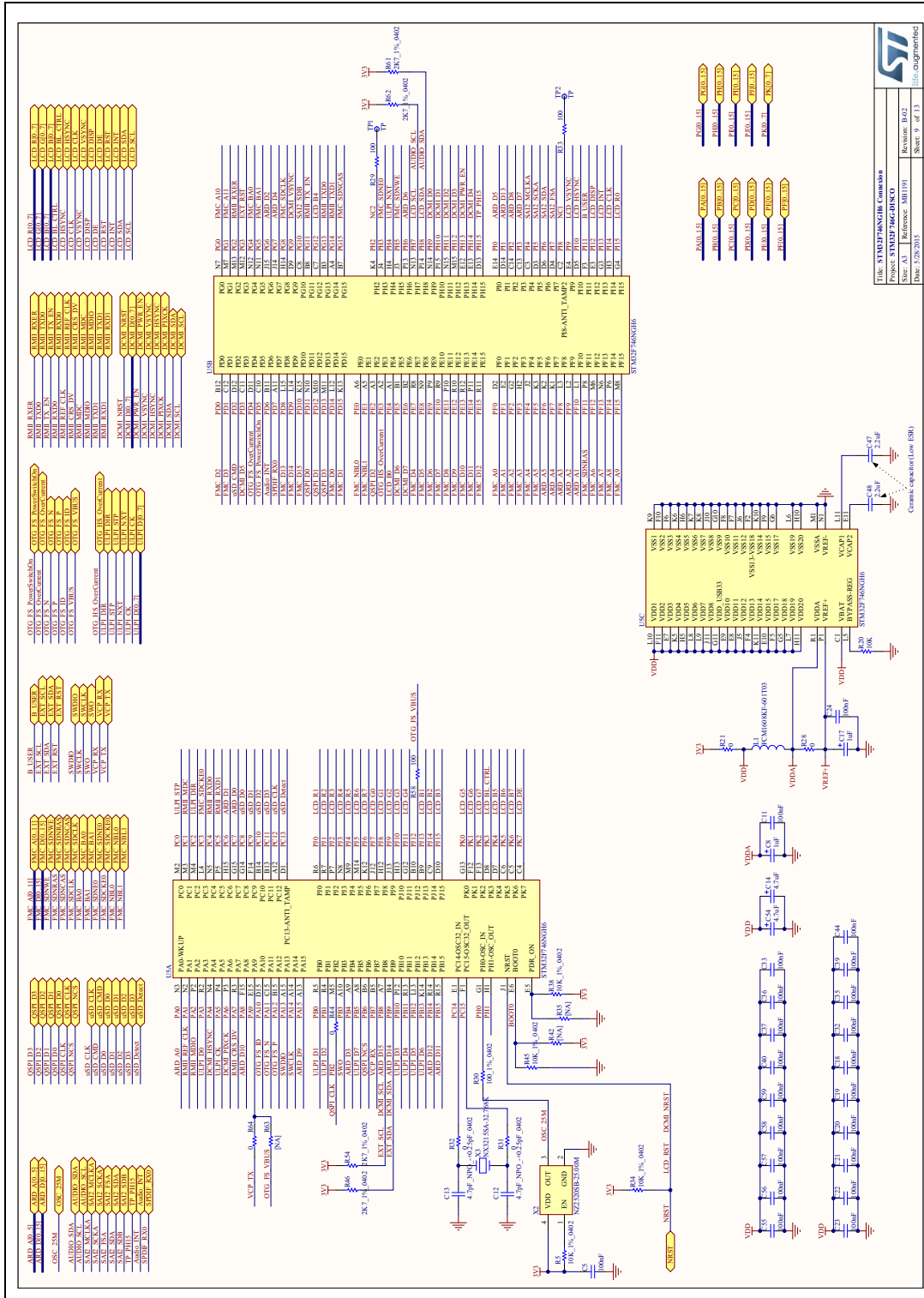
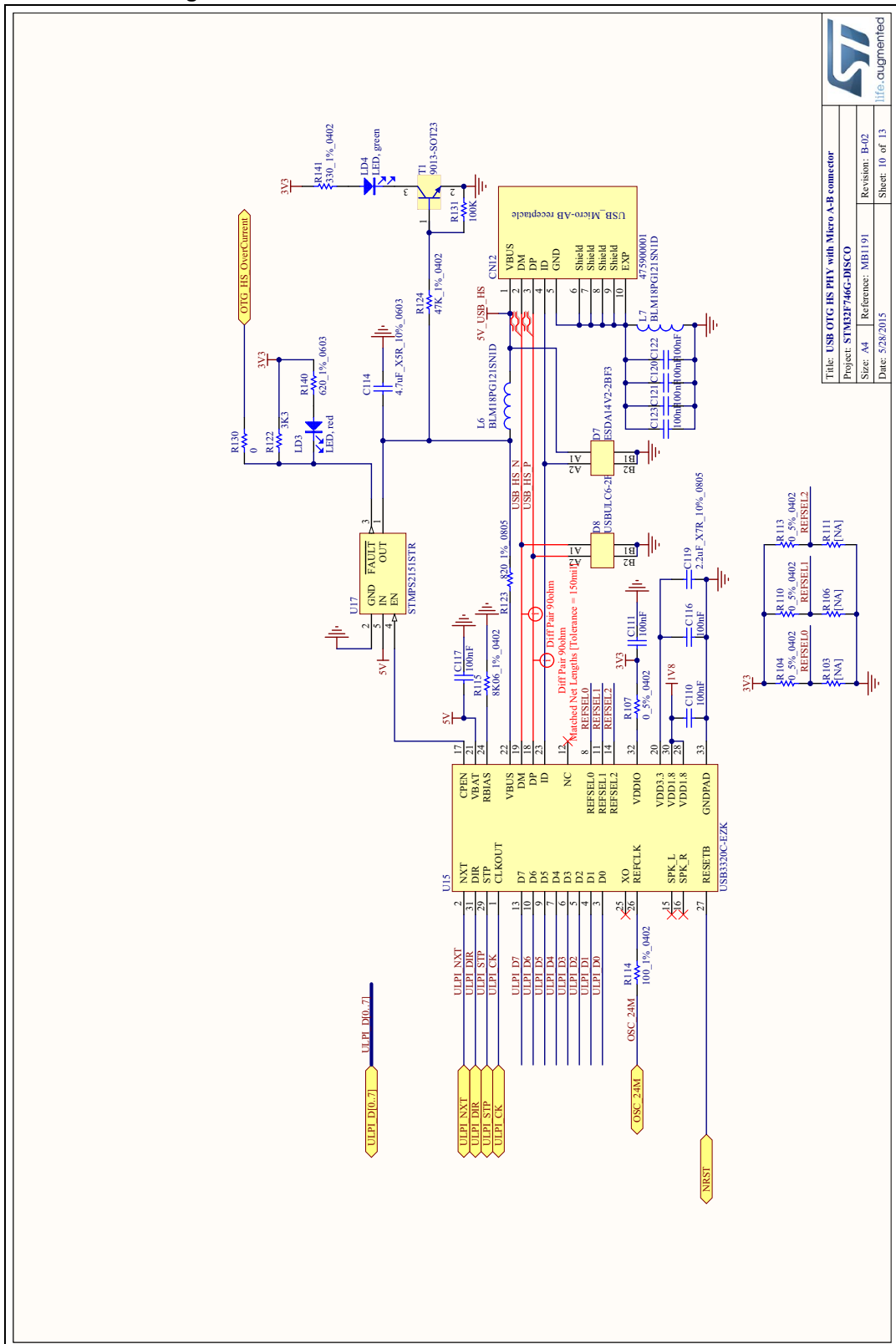




Figure 28. USB OTG HS PHY with micro A-B connector




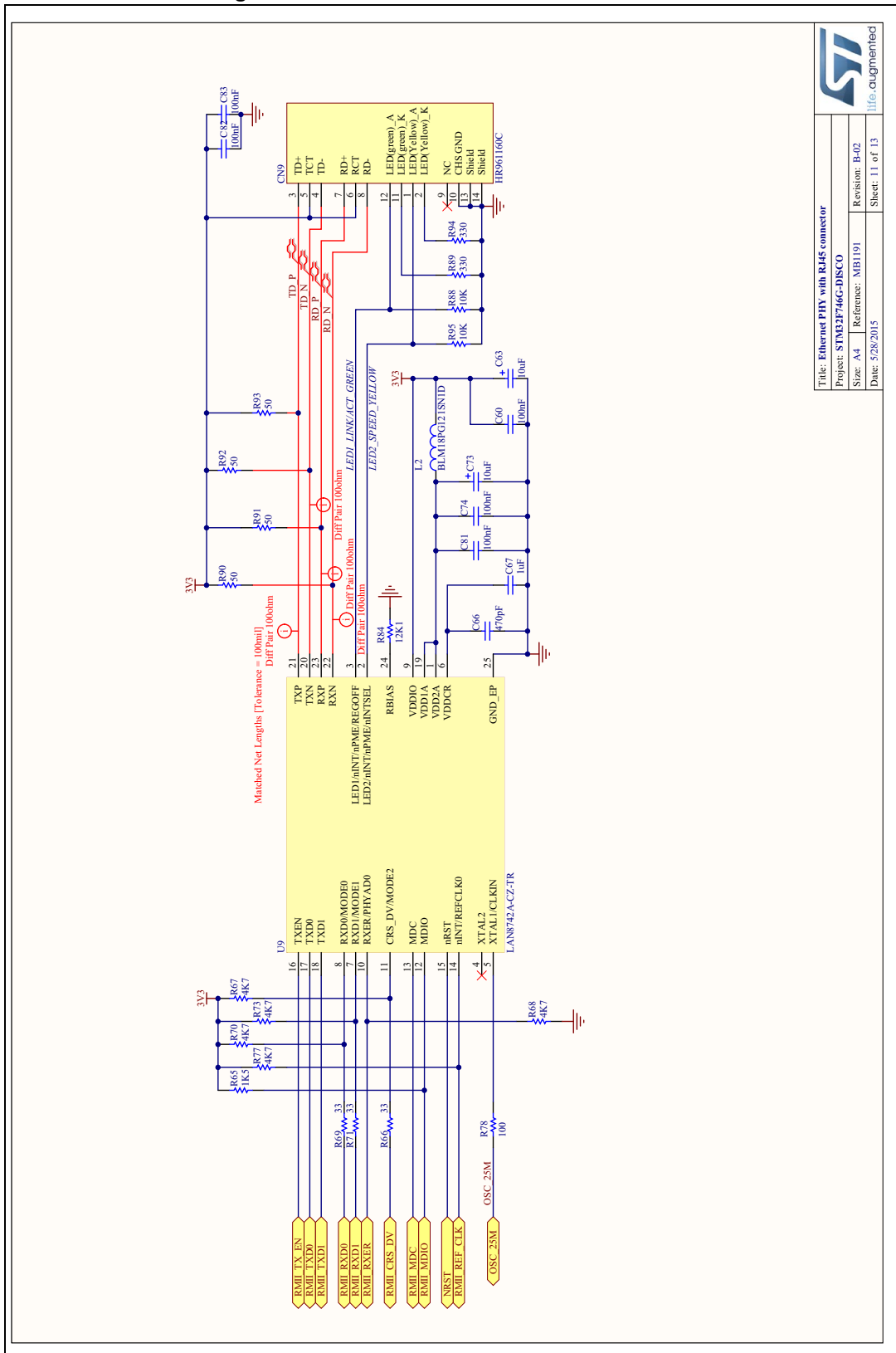
	
Title: USB OTG HS PHY with Micro A-B connector Project: STM32F746G-DISCO Revision: B-02 Size: A4 Reference: MB1191 Date: 5/25/2015 Sheet: 10 of 13 Info: augmented	

Figure 29. Ethernet PHY with RJ45 connector



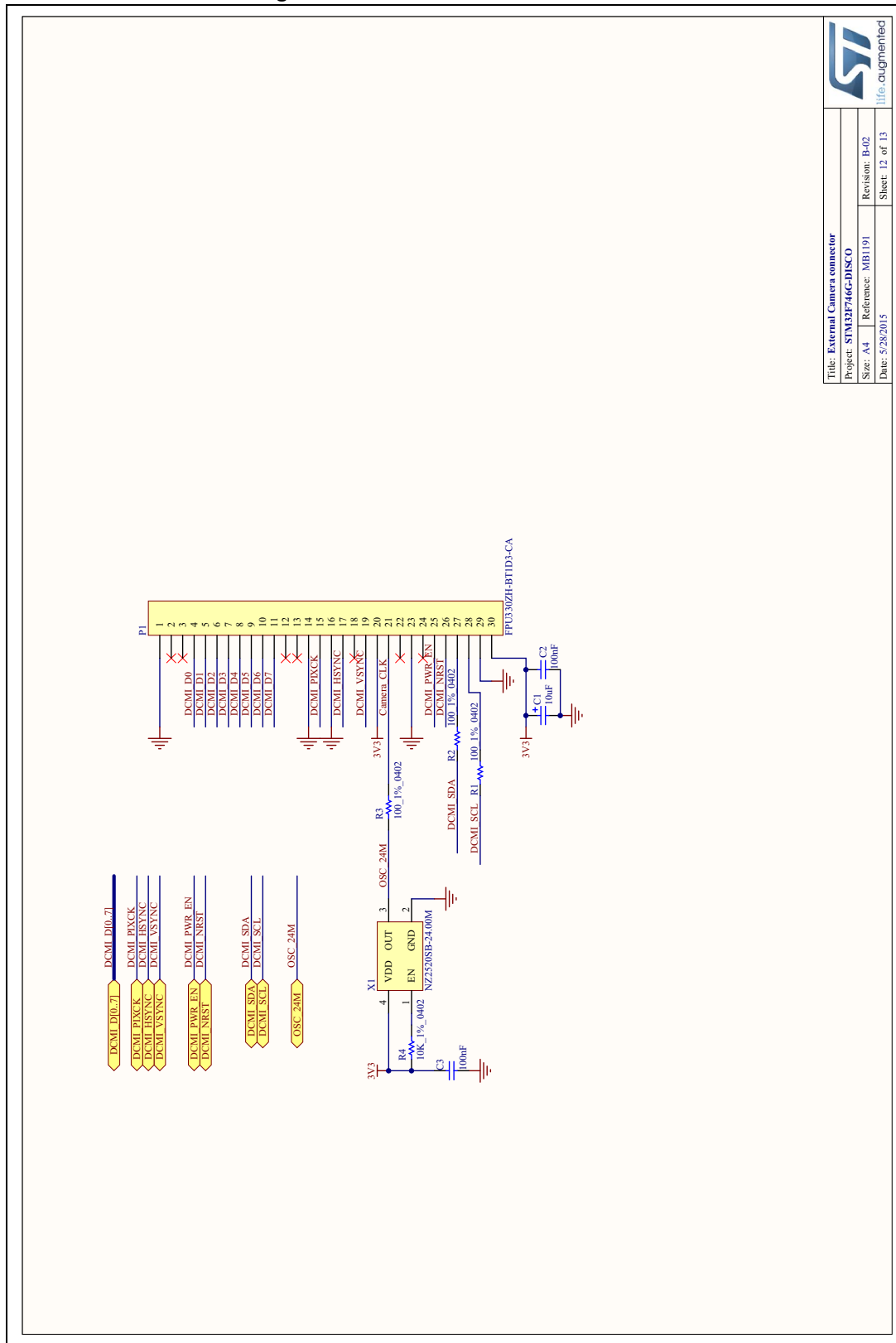
Title: Ethernet PHY with RJ45 connector	
Project: STM32F746G-DISCO	Revision: B-02
Size: A4	Reference: MB1191
Date: 5/28/2015	Sheet: 11 of 13



life augmented

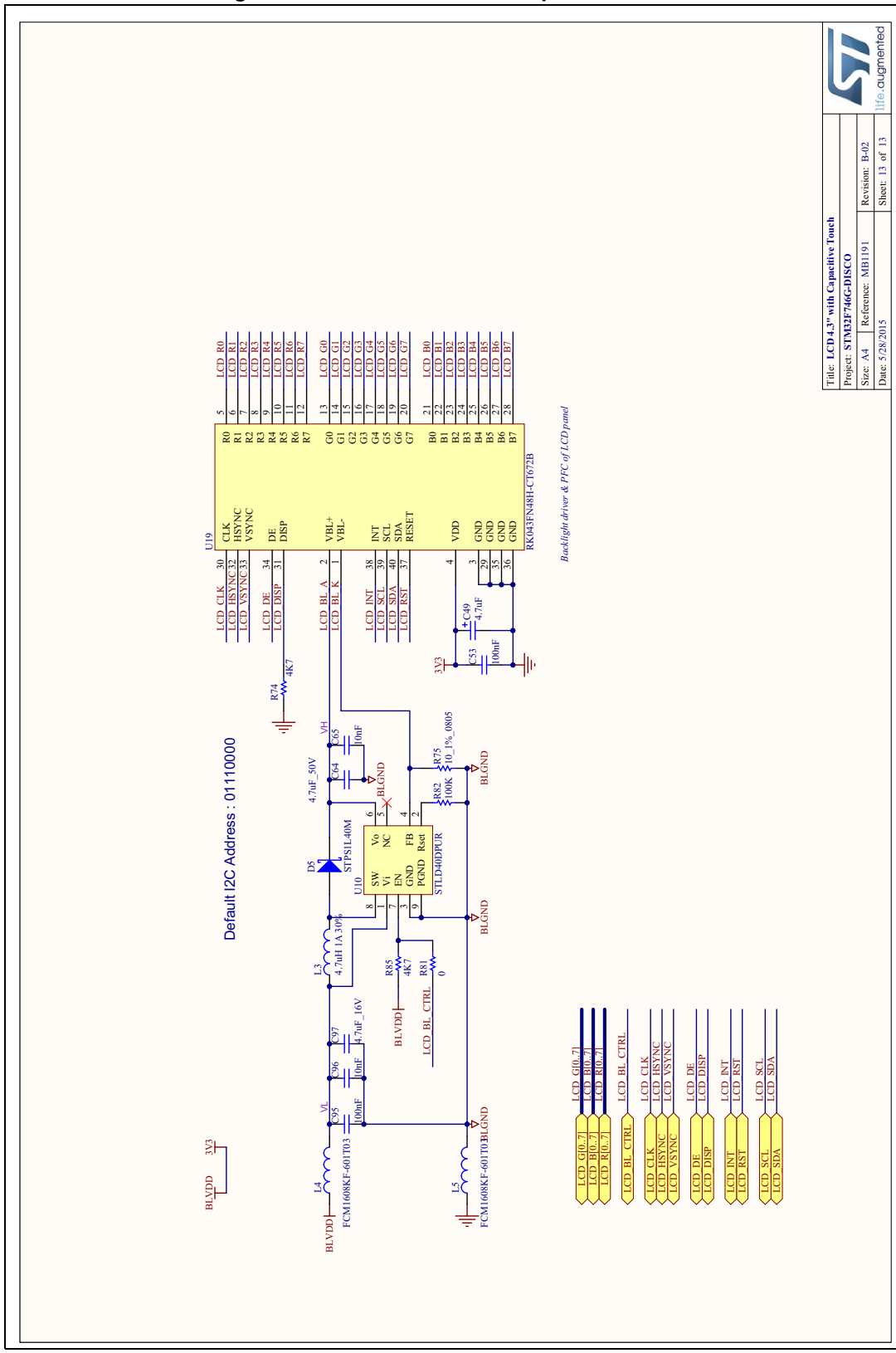


Figure 30. External camera connector



Title: External Camera connector	
Project: STM32F746-DISCO	
Size: A4	Revision: B402
Reference: MIB191	Sheet: 12 of 13
Date: 5/28/2015	Life: augmented

Figure 31. 4.3-inch LCD with capacitive touch



ST logo

Title: LCD 4.3" with Capacitive Touch  
 Project: STM32F746G-DISCO  
 Size: A4 Reference: MB1191 Revision: B-02  
 Date: 5/28/2015 Sheet: 13 of 13  
 life.augmented

## Appendix A STM32F746G-DISCO IO Assignment

Table 10. STM32F746G-DISCO IO assignment

Pin No.	Pin Name	Signal or Label	Comment
A1	PE4	LTDC_B0	-
A2	PE3	OTG_HS_OverCurrent	-
A3	PE2	QUADSPI_BK1_IO2	-
A4	PG14	ETH_TXD1	-
A5	PE1	FMC_NBL1	-
A6	PE0	FMC_NBL0	-
A7	PB8	ARDUINO SCL/D15	-
A8	PB5	USB_OTG_HS_ULPI_D7	-
A9	PB4	ARDUINO PWM/D3	-
A10	PB3	SYS_JTDO-SWO	-
A11	PD7	SPDIF_RX0	-
A12	PC12	SDMMC_CK	-
A13	PA15	ARDUINO PWM/D9	-
A14	PA14	SYS_JTCK-SWCLK	-
A15	PA13	SYS_JTMS-SWDIO	-
B1	PE5	DCMI_D6	-
B2	PE6	DCMI_D7	-
B3	PG13	ETH_TXD0	-
B4	PB9	ARDUINO SDA/D14	-
B5	PB7	VCP_RX	-
B6	PB6	QUADSPI_BK1_NCS	-
B7	PG15	FMC_SDNCAS	-
B8	PG11	ETH_TX_EN	-
B9	PJ13	LTDC_B1	-
B10	PJ12	OTG_FS_VBUS	(1)
B11	PD6	Audio_INT	-
B12	PD0	FMC_D2_DA2	-
B13	PC11	SDMMC_D3	-
B14	PC10	SDMMC_D2	-
B15	PA12	USB_OTG_FS_DP	-
C1	VBAT	-	Connected to VDD
C2	PI8	NC1	-

Table 10. STM32F746G-DISCO IO assignment (continued)

Pin No.	Pin Name	Signal or Label	Comment
C3	PI4	SAI2_MCLK_A	-
C4	PK7	LTDC_DE	-
C5	PK6	LTDC_B7	-
C6	PK5	LTDC_B6	-
C7	PG12	LTDC_B4	-
C8	PG10	SAI2_SD_B	-
C9	PJ14	LTDC_B2	-
C10	PD5	OTG_FS_PowerSwitchOn	-
C11	PD3	DCMI_D5	-
C12	PD1	FMC_D3_DA3	-
C13	PI3	ARDUINO D7	-
C14	PI2	ARDUINO D8	-
C15	PA11	USB_OTG_FS_DM	-
D1	PC13	uSD_Detect	-
D2	PF0	FMC_A0	-
D3	PI5	SAI2_SCK_A	-
D4	PI7	SAI2_FS_A	-
D5	PI10	LTDC_HSYNC	-
D6	PI6	SAI2_SD_A	-
D7	PK4	LTDC_B5	-
D8	PK3	LCD_BL_CTRL	-
D9	PG9	DCMI_VSYNC	-
D10	PJ15	LTDC_B3	-
D11	PD4	OTG_FS_OverCurrent	-
D12	PD2	SDMMC_CMD	-
D13	PH15	TP3	-
D14	PI1	ARDUINO SCK/D13	-
D15	PA10	USB_OTG_FS_ID	-
E1	PC14/OSC32_IN	RCC_OSC32_IN	-
E2	PF1	FMC_A1	-
E3	PI12	LCD_DISP	-
E4	PI9	LTDC_VSYNC	-
E5	PDR_ON	-	Connected to PU R38
E6	BOOT0	-	Connected to PD R45
E7	VDD	-	-

Table 10. STM32F746G-DISCO IO assignment (continued)

Pin No.	Pin Name	Signal or Label	Comment
E8	VDD	-	-
E9	VDD	-	-
E10	VDD	-	-
E11	VCAP_2	-	Connected to C48
E12	PH13	DCMI_PWR_EN	-
E13	PH14	DCMI_D4	-
E14	PI0	ARDUINO PWM/CS/D10	-
E15	PA9	VCP_TX	(1)
F1	PC15/OSC32_OUT	RCC_OSC32_OUT	-
F2	VSS	-	-
F3	PI11	B_USER	-
F4	VDD	-	-
F5	VDD	-	-
F6	VSS	-	-
F7	VSS	-	-
F8	VSS	-	-
F9	VSS	-	-
F10	VSS	-	-
F11	VDD	-	-
F12	PK1	LTDC_G6	-
F13	PK2	LTDC_G7	-
F14	PC9	SDMMC_D1	-
F15	PA8	ARDUINO PWM/D5	-
G1	PH0/OSC_IN	RCC_OSC_IN	-
G2	PF2	FMC_A2	-
G3	PI13	LCD_INT	-
G4	PI15	LTDC_R0	-
G5	VDD	-	-
G6	VSS	-	-
G10	VSS	-	-
G11	VDDUSB	-	Connected to VDD
G12	PJ11	LTDC_G4	-
G13	PK0	LTDC_G5	-
G14	PC8	SDMMC_D0	-
G15	PC7	ARDUINO RX/D0	-

Table 10. STM32F746G-DISCO IO assignment (continued)

Pin No.	Pin Name	Signal or Label	Comment
H1	PH1/OSC_OUT	RCC_OSC_OUT	-
H2	PF3	FMC_A3	-
H3	PI14	LTDC_CLK	-
H4	PH4	USB_OTG_HS_ULPI_NXT	-
H5	VDD	-	-
H6	VSS	-	-
H10	VSS	-	-
H11	VDD	-	-
H12	PJ8	LTDC_G1	-
H13	PJ10	LTDC_G3	-
H14	PG8	FMC_SDCLK	-
H15	PC6	ARDUINO TX/D1	-
J1	NRST	-	Hardware RESET
J2	PF4	FMC_A4	-
J3	PH5	FMC_SDNWE	-
J4	PH3	FMC_SDNE0	-
J5	VDD	-	-
J6	VSS	-	-
J10	VSS	-	-
J11	VDD	-	-
J12	PJ7	LTDC_G0	-
J13	PJ9	LTDC_G2	-
J14	PG7	ARDUINO D4	-
J15	PG6	ARDUINO D2	-
K1	PF7	ARDUINO A4	-
K2	PF6	ARDUINO A5	-
K3	PF5	FMC_A5	-
K4	PH2	NC2	-
K5	VDD	-	-
K6	VSS	-	-
K7	VSS	-	-
K8	VSS	-	-
K9	VSS	-	-
K10	VSS	-	-
K11	VDD	-	-



Table 10. STM32F746G-DISCO IO assignment (continued)

Pin No.	Pin Name	Signal or Label	Comment
K12	PJ6	LTDC_R7	-
K13	PD15	FMC_D1_DA1	-
K14	PB13	USB_OTG_HS_ULPI_D6	-
K15	PD10	FMC_D15_DA15	-
L1	PF10	ARDUINO A1	-
L2	PF9	ARDUINO A2	-
L3	PF8	ARDUINO A3	-
L4	PC3	FMC_SDCKE0	-
L5	BYPASS_REG	-	Connected to PD R20
L6	VSS	-	-
L7	VDD	-	-
L8	VDD	-	-
L9	VDD	-	-
L10	VDD	-	-
L11	VCAP_1	-	Connected to C47
L12	PD14	FMC_D0_DA0	-
L13	PB12	USB_OTG_HS_ULPI_D5	-
L14	PD9	FMC_D14_DA14	-
L15	PD8	FMC_D13_DA13	-
M1	VSSA	-	Connected to GND
M2	PC0	USB_OTG_HS_ULPI_STP	-
M3	PC1	ETH_MDC	-
M4	PC2	USB_OTG_HS_ULPI_DIR	-
M5	PB2/BOOT1	QUADSPI_CLK	-
M6	PF12	FMC_A6	-
M7	PG1	FMC_A11	-
M8	PF15	FMC_A9	-
M9	PJ4	LTDC_R5	-
M10	PD12	QUADSPI_BK1_IO1	-
M11	PD13	QUADSPI_BK1_IO3	-
M12	PG3	EXT_RST	-
M13	PG2	RMII_RXER	-
M14	PJ5	LTDC_R6	-
M15	PH12	DCMI_D3	-
N1	VREF-	-	Connected to GND

Table 10. STM32F746G-DISCO IO assignment (continued)

Pin No.	Pin Name	Signal or Label	Comment
N2	PA1	ETH_REF_CLK	-
N3	PA0/WKUP	ARDUINO A0	-
N4	PA4	DCMI_HSYNC	-
N5	PC4	ETH_RXD0	-
N6	PF13	FMC_A7	-
N7	PG0	FMC_A10	-
N8	PJ3	LTDC_R4	-
N9	PE8	FMC_D5_DA5	-
N10	PD11	QUADSPI_BK1_IO0	-
N11	PG5	FMC_A15_BA1	-
N12	PG4	FMC_A14_BA0	-
N13	PH7	I2C3_SCL	-
N14	PH9	DCMI_D0	-
N15	PH11	DCMI_D2	-
P1	VREF+	-	Connected to VDDA
P2	PA2	ETH_MDIO	-
P3	PA6	DCMI_PIXCK	-
P4	PA5	USB_OTG_HS_ULPI_CK	-
P5	PC5	ETH_RXD1	-
P6	PF14	FMC_A8	-
P7	PJ2	LTDC_R3	-
P8	PF11	FMC_SDNRAS	-
P9	PE9	FMC_D6_DA6	-
P10	PE11	FMC_D8_DA8	-
P11	PE14	FMC_D11_DA11	-
P12	PB10	USB_OTG_HS_ULPI_D3	-
P13	PH6	ARDUINO PWM/D6	-
P14	PH8	I2C3_SDA	-
P15	PH10	DCMI_D1	-
R1	VDDA	-	Connected to VREF+
R2	PA3	USB_OTG_HS_ULPI_D0	-
R3	PA7	ETH_CRD_DV	-
R4	PB1	USB_OTG_HS_ULPI_D2	-
R5	PB0	USB_OTG_HS_ULPI_D1	-
R6	PJ0	LTDC_R1	-

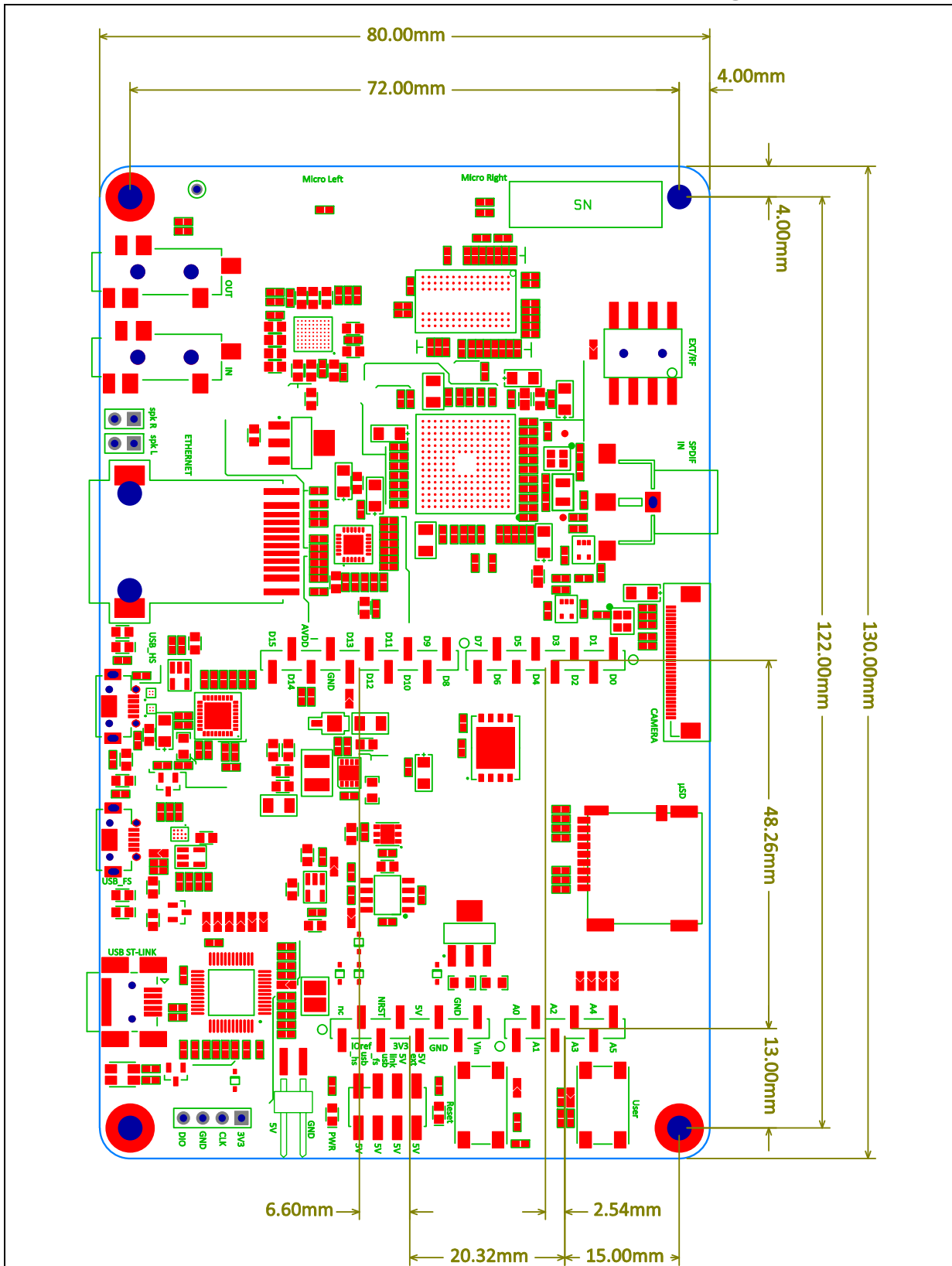
Table 10. STM32F746G-DISCO IO assignment (continued)

Pin No.	Pin Name	Signal or Label	Comment
R7	PJ1	LTDC_R2	-
R8	PE7	FMC_D4_DA4	-
R9	PE10	FMC_D7_DA7	-

1. By default OTG\_FS\_VBUS is driven by software and not by the alternate function of the STM32F746NGH6 (R64 = ON, R63 = OFF, R58 = ON and PA9 = VCP\_TX (Virtual Com Port) and PJ12 = OTG\_FS\_VBUS).

To use the alternate function OTG\_FS\_VBUS of the STM32F746NGH6, it's needed to have: R64 = OFF, R63 = ON, R58 = OFF. In that configuration, VCP\_TX is no longer available and PA9 = OTG\_FS\_VBUS, PJ12 = not connected.

# Appendix B Appendix B mechanical drawing



## 4 Revision history

Table 11. Document revision history

Date	Revision	Changes
12-Jun-2015	1	Initial release.

**IMPORTANT NOTICE – PLEASE READ CAREFULLY**

STMicroelectronics NV and its subsidiaries ("ST") reserve the right to make changes, corrections, enhancements, modifications, and improvements to ST products and/or to this document at any time without notice. Purchasers should obtain the latest relevant information on ST products before placing orders. ST products are sold pursuant to ST's terms and conditions of sale in place at the time of order acknowledgement.

Purchasers are solely responsible for the choice, selection, and use of ST products and ST assumes no liability for application assistance or the design of Purchasers' products.

No license, express or implied, to any intellectual property right is granted by ST herein.

Resale of ST products with provisions different from the information set forth herein shall void any warranty granted by ST for such product.

ST and the ST logo are trademarks of ST. All other product or service names are the property of their respective owners.

Information in this document supersedes and replaces information previously supplied in any prior versions of this document.

© 2015 STMicroelectronics – All rights reserved