

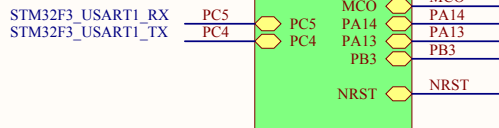
1

2

3

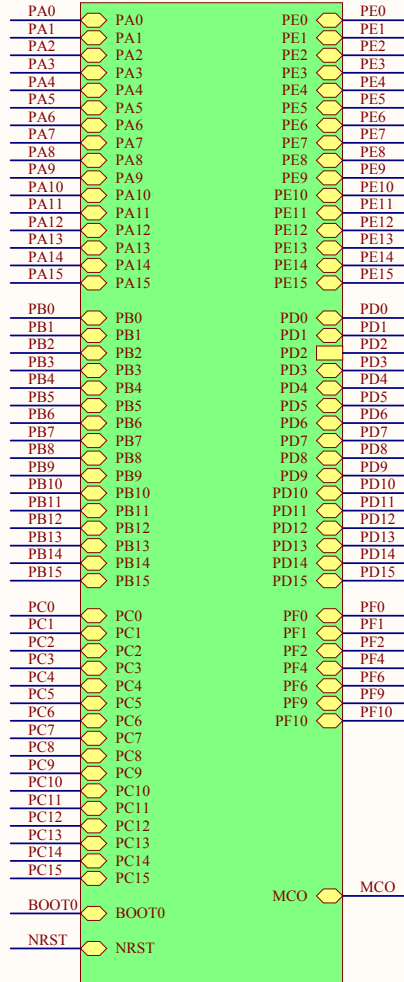
4

ST_LINK_V2.SCHDOC
U_ST_LINK

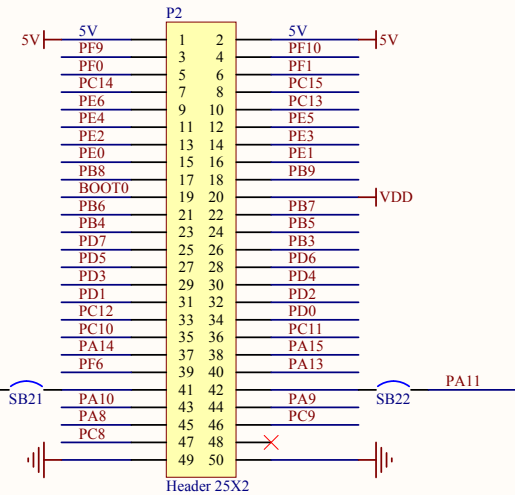
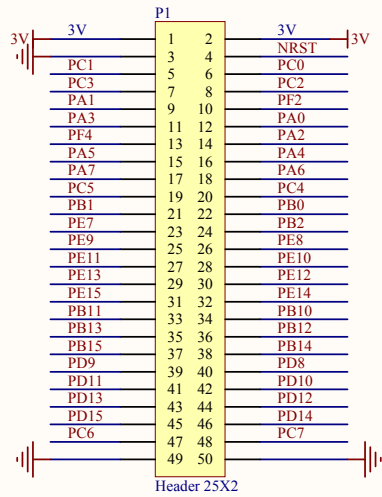
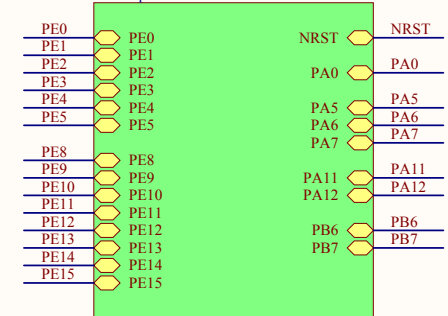


TCK/SWCLK
TMS/SWDIO
T_SWO
T_NRST

U_STM32Fx
STM32Fx.SchDoc



U_IO Peripherals
IO Peripherals.SchDoc



Rev A.0 -> First Version
 Rev B.0 -> PCB B-00, added 2 SB to isolate USB USER
 Rev B.1 -> PCB B-00, reverse LEDs Colors Red/Blue on sheet 4, only a picture modification

STMicroelectronics

Title: **STM32F3DISCOVERY**

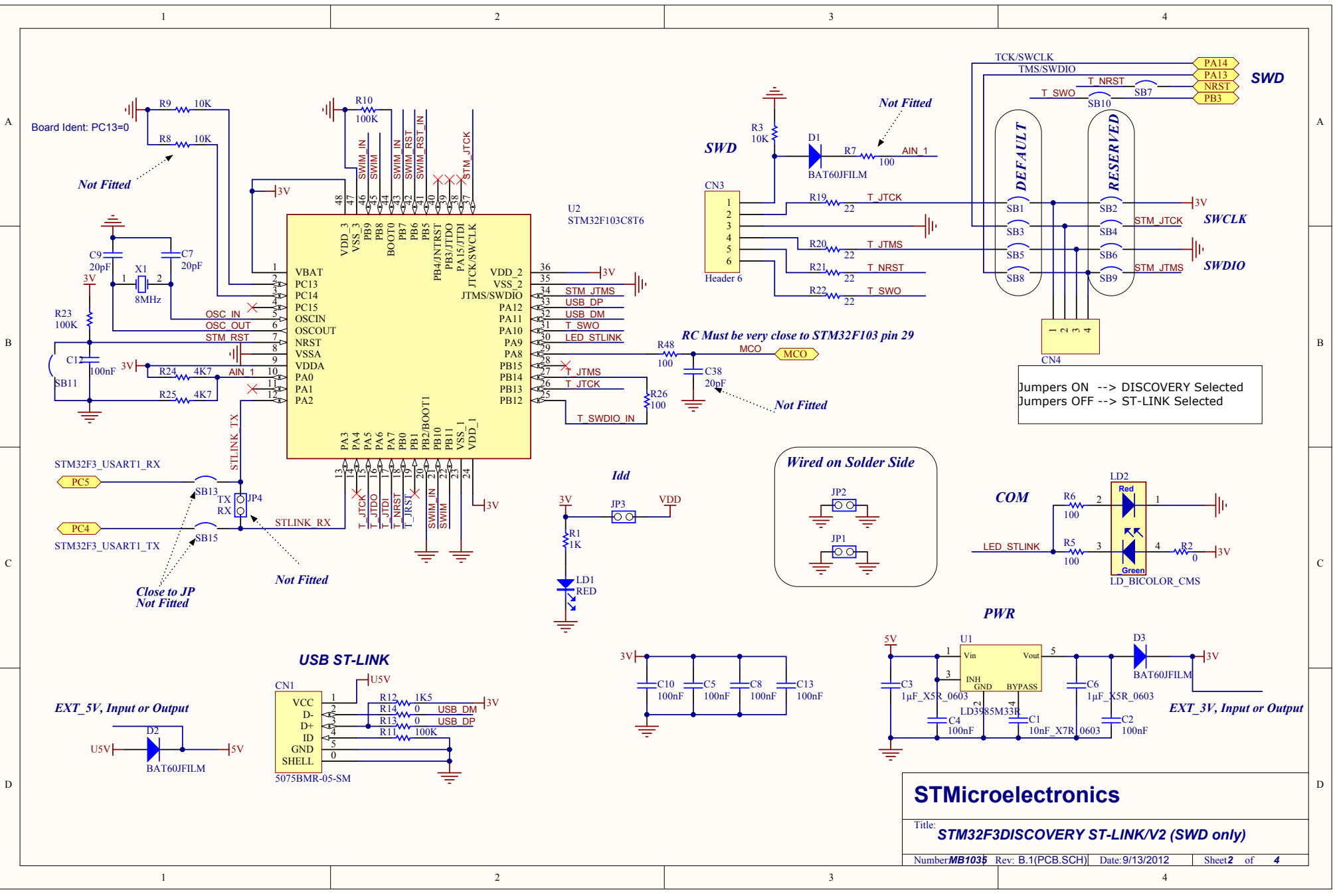
Number **MB1035** Rev: B.1(PCB.SCH) Date: 9/13/2012 Sheet **1** of **4**

1

2

3

4



Board Ident: PC13=0

Not Fitted

Not Fitted

SWD

SWD

A

B

C

D

U2
STM32F103C8T6

RC Must be very close to STM32F103 pin 29

Wired on Solder Side

Jumpers ON --> DISCOVERY Selected
Jumpers OFF --> ST-LINK Selected

Close to JP
Not Fitted

Not Fitted

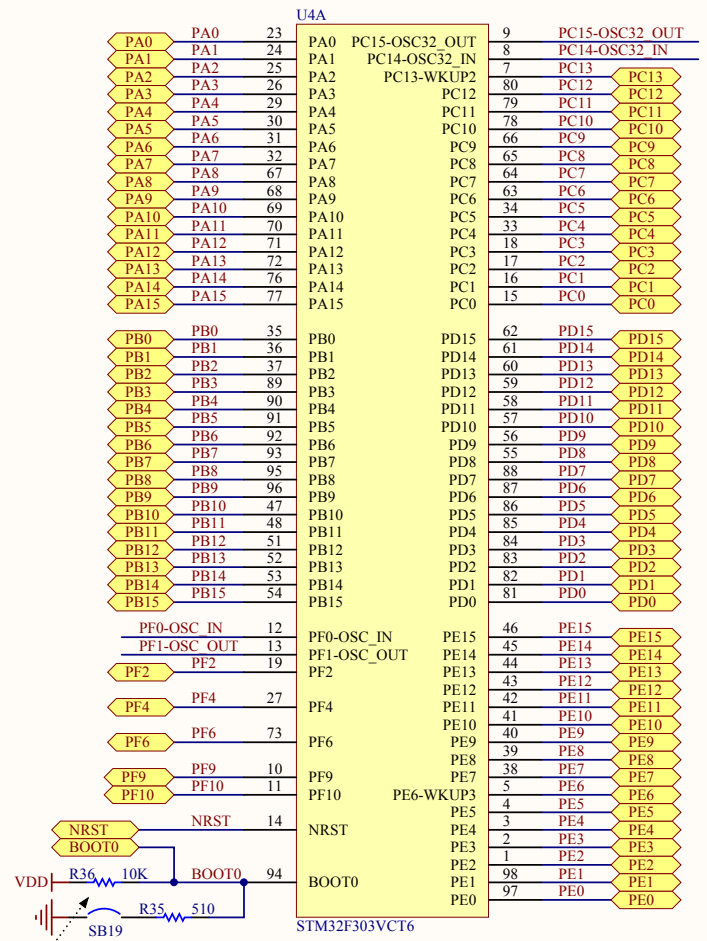
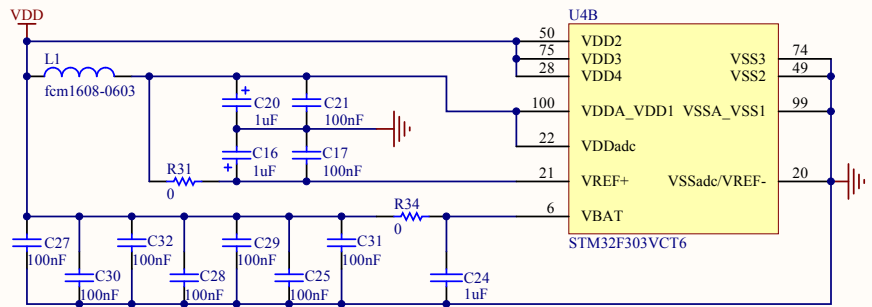
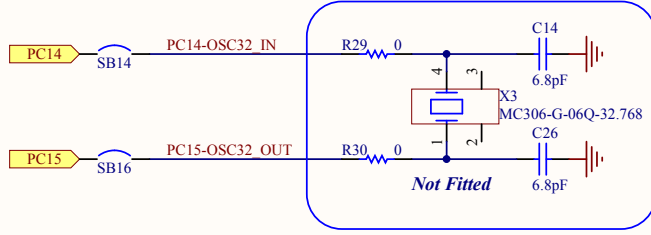
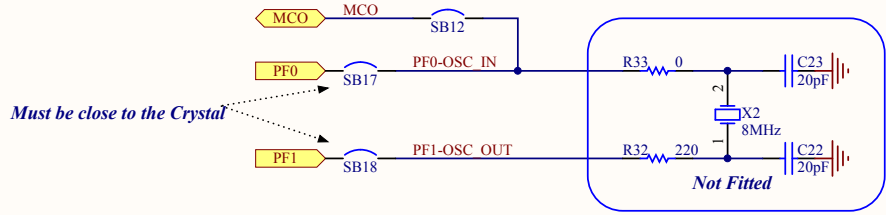
USB ST-LINK

EXT_5V, Input or Output

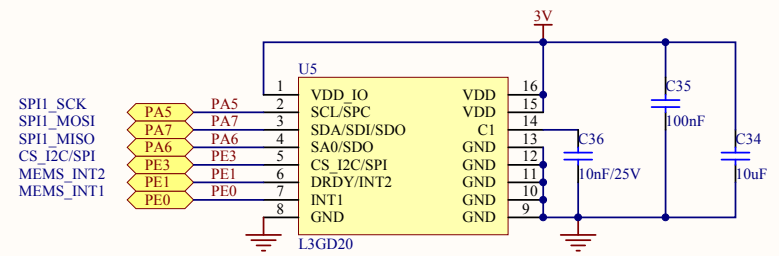
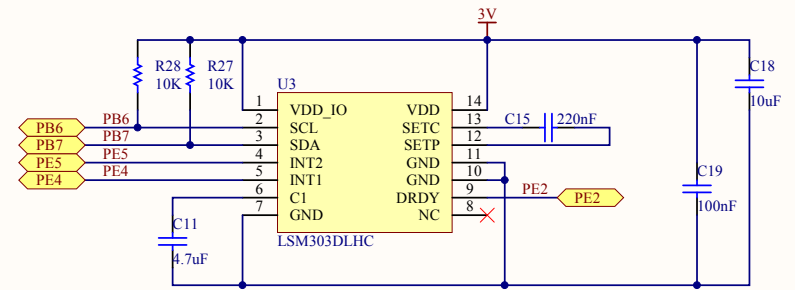
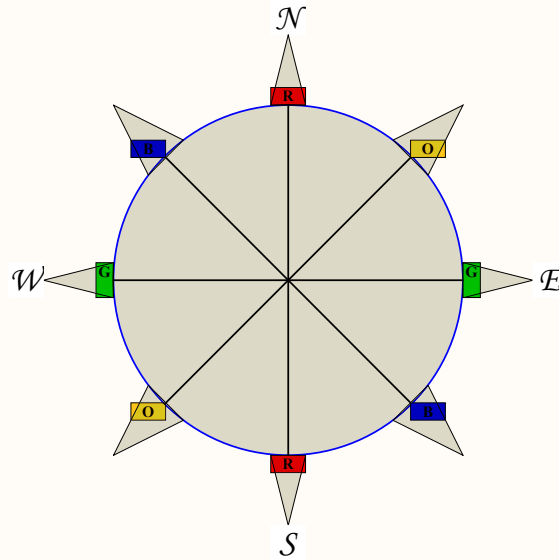
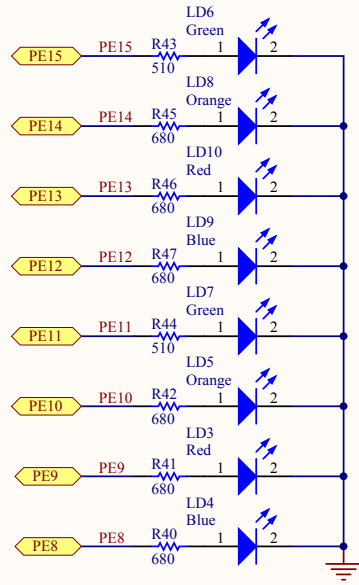
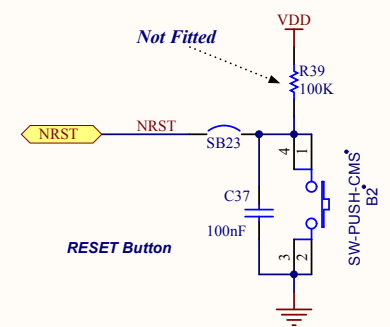
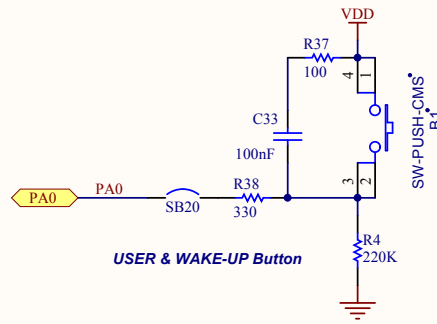
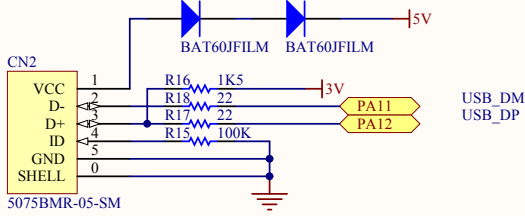
STMicroelectronics

Title: **STM32F3DISCOVERY ST-LINK/V2 (SWD only)**

Number **MB1035** Rev: B.1(PCB.SCH) Date: 9/13/2012 Sheet 2 of 4



USB User



Silkscreen for Gyroscope and E-compass with accelerometer

STMicroelectronics

Title: **STM32F3DISCOVERY Peripherals**

Number **MB1035** Rev: B.1(PCB.SCH) Date: 9/13/2012 Sheet 4 of 4