

# DATA SHEET

## **P89C660/P89C662/P89C664**

**80C51 8-bit Flash microcontroller family**

**16KB/32KB/64KB ISP/IAP FLASH with 512B/1KB/2KB RAM**

Preliminary data  
Supersedes data of 2001 Jun 28  
IC28 Data Handbook

2001 Jul 19

# 80C51 8-bit Flash microcontroller family

## 16KB/32KB/64KB ISP/IAP Flash with 512B/1KB/2KB RAM

# P89C660/P89C662/P89C664

### DESCRIPTION

The P89C660/662/664 device contains a non-volatile 16KB/32KB/64KB Flash program memory that is both parallel programmable and serial In-System and In-Application Programmable. In-System Programming (ISP) allows the user to download new code while the microcontroller sits in the application. In-Application Programming (IAP) means that the microcontroller fetches new program code and reprograms itself while in the system. This allows for remote programming over a modem link. A default serial loader (boot loader) program in ROM allows serial In-System programming of the Flash memory via the UART without the need for a loader in the Flash code. For In-Application Programming, the user program erases and reprograms the Flash memory by use of standard routines contained in ROM.

This device executes one instruction in 6 clock cycles, hence providing twice the speed of a conventional 80C51. An OTP configuration bit lets the user select conventional 12-clock timing if decided.

This device is a Single-Chip 8-Bit Microcontroller manufactured in advanced CMOS process and is a derivative of the 80C51 microcontroller family. The instruction set is 100% executing and timing compatible with the 80C51 instruction set.

The device also has four 8-bit I/O ports, three 16-bit timer/event counters, a multi-source, four-priority-level, nested interrupt structure, an enhanced UART and on-chip oscillator and timing circuits.

The added features of the P89C660/662/664 makes it a powerful microcontroller for applications that require pulse width modulation, high-speed I/O and up/down counting capabilities such as motor control.

For devices with 8 kbytes RAM, see P89C668 data sheet.

### FEATURES

- 80C51 Central Processing Unit
- On-chip Flash Program Memory with In-System Programming (ISP) and In-Application Programming (IAP) capability
- Boot6 ROM contains low level Flash programming routines for downloading via the UART

- Can be programmed by the end-user application (IAP)
- Parallel programming with 87C51 compatible hardware interface to programmer
- 6 clocks per machine cycle operation (standard)
- 12 clocks per machine cycle operation (optional)
- Speed up to 20 MHz with 6 clock cycles per machine cycle (40 MHz equivalent performance); up to 33 MHz with 12 clocks per machine cycle
- Full static operation
- RAM expandable externally to 64 kbytes
- 4 level priority interrupt
- 8 interrupt sources
- Four 8-bit I/O ports
- Full-duplex enhanced UART
  - Framing error detection
  - Automatic address recognition
- Power control modes
  - Clock can be stopped and resumed
  - Idle mode
  - Power down mode
- Programmable clock out
- Second DPTR register
- Asynchronous port reset
- Low EMI (inhibit ALE)
- I<sup>2</sup>C serial interface
- Programmable Counter Array (PCA)
  - PWM
  - Capture/compare
- Well-suited for IPMI applications

### ORDERING INFORMATION

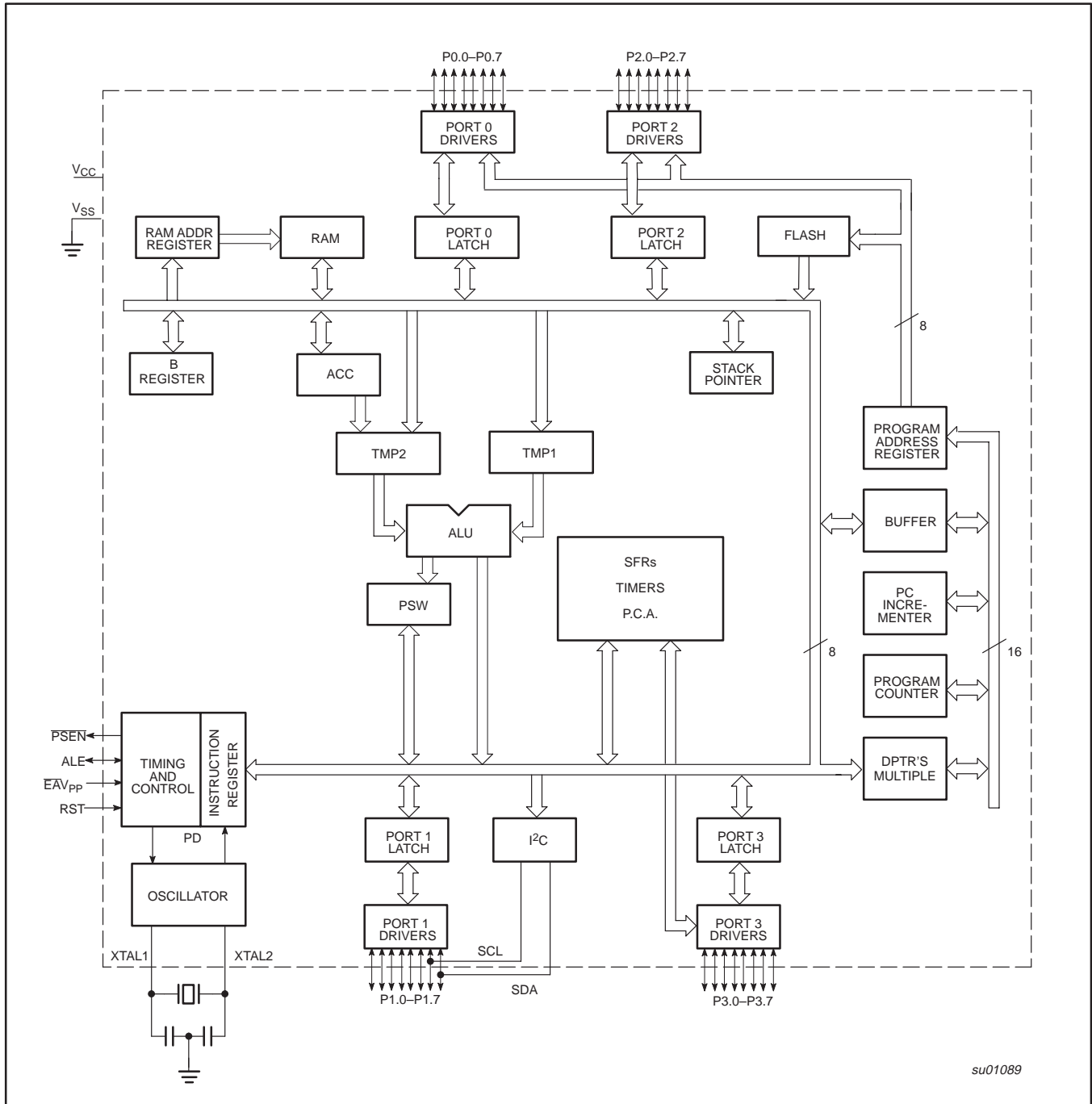
DEVICE	MEMORY		TEMPERATURE RANGE (°C) AND PACKAGE	VOLTAGE RANGE	FREQUENCY (MHz)		DWG #
	FLASH	RAM			6 CLOCK MODE	12 CLOCK MODE	
P89C660HBA	16 KB	512 B	0 to +70, PLCC	4.5–5.5 V	0 to 20 MHz	0 to 33 MHz	SOT187-2
P89C660HFA	16 KB	512 B	–40 to +85, PLCC	4.75–5.25 V	0 to 20 MHz	0 to 33 MHz	SOT187-2
P89C660HBBD	16 KB	512 B	0 to +70, LQFP	4.5–5.5 V	0 to 20 MHz	0 to 33 MHz	SOT389-1
P89C662HBA	32 KB	1 KB	0 to +70, PLCC	4.5–5.5 V	0 to 20 MHz	0 to 33 MHz	SOT187-2
P89C662HFA	32 KB	1 KB	–40 to +85, PLCC	4.75–5.25 V	0 to 20 MHz	0 to 33 MHz	SOT187-2
P89C662HBBD	32 KB	1 KB	0 to +70, LQFP	4.5–5.5 V	0 to 20 MHz	0 to 33 MHz	SOT389-1
P89C662HFBD	32 KB	1 KB	–40 to +85, LQFP	4.75–5.25 V	0 to 20 MHz	0 to 33 MHz	SOT389-1
P89C664HBA	64 KB	2 KB	0 to +70, PLCC	4.5–5.5 V	0 to 20 MHz	0 to 33 MHz	SOT187-2
P89C664HFA	64 KB	2 KB	–40 to +85, PLCC	4.75–5.25 V	0 to 20 MHz	0 to 33 MHz	SOT187-2
P89C664HBBD	64 KB	2 KB	0 to +70, LQFP	4.5–5.5 V	0 to 20 MHz	0 to 33 MHz	SOT389-1
P89C664HFBD	64 KB	2 KB	–40 to +85, LQFP	4.75–5.25 V	0 to 20 MHz	0 to 33 MHz	SOT389-1

# 80C51 8-bit Flash microcontroller family

16KB/32KB/64KB ISP/IAP Flash with 512B/1KB/2KB RAM

P89C660/P89C662/P89C664

## BLOCK DIAGRAM



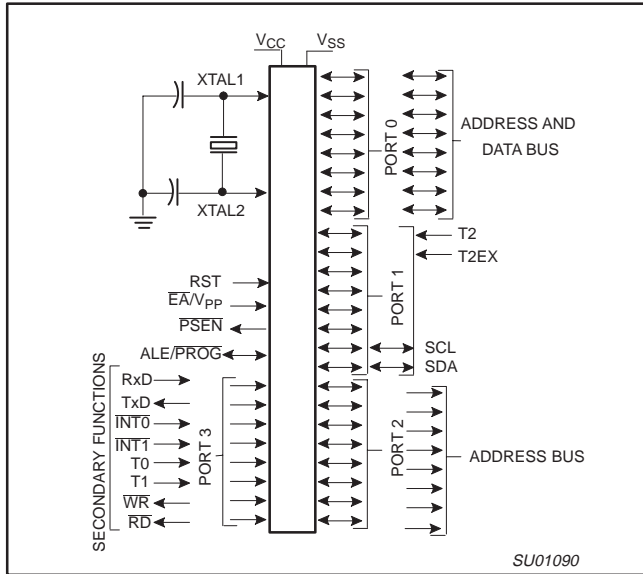
su01089

# 80C51 8-bit Flash microcontroller family

16KB/32KB/64KB ISP/IAP Flash with 512B/1KB/2KB RAM

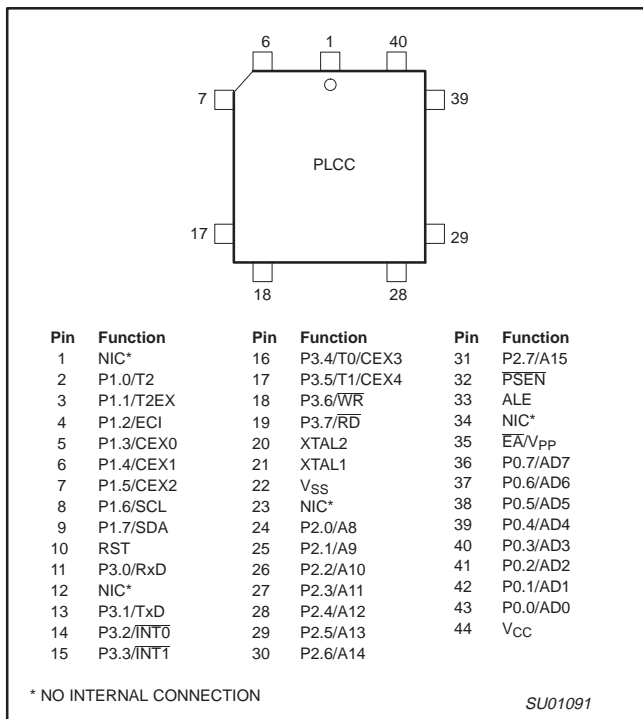
## P89C660/P89C662/P89C664

### LOGIC SYMBOL

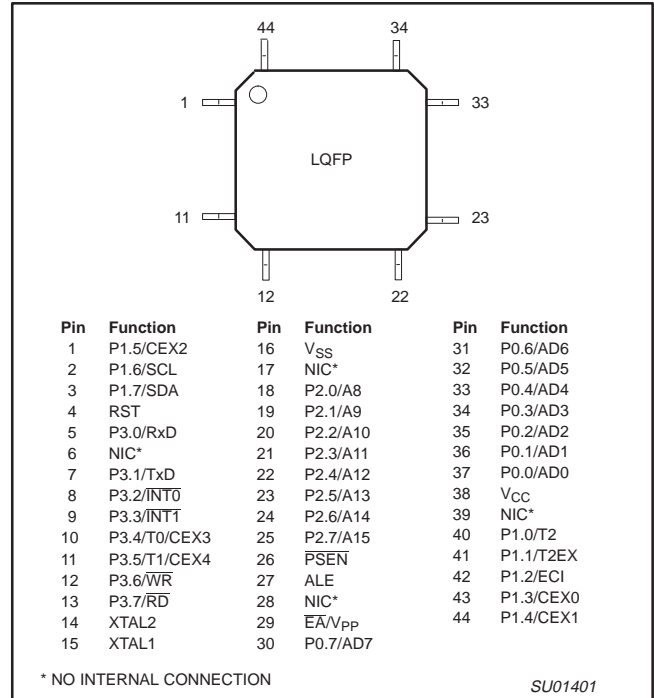


### PINNING

#### Plastic Leaded Chip Carrier



#### Low Quad Flat Pack



# 80C51 8-bit Flash microcontroller family

16KB/32KB/64KB ISP/IAP Flash with 512B/1KB/2KB RAM

## P89C660/P89C662/P89C664

### PIN DESCRIPTIONS

MNEMONIC	PIN NUMBER		TYPE	NAME AND FUNCTION				
	PLCC	LQFP						
V <sub>SS</sub>	22	16	I	<b>Ground:</b> 0 V reference.				
V <sub>CC</sub>	44	38	I	<b>Power Supply:</b> This is the power supply voltage for normal, idle, and power-down operation.				
P0.0–0.7	43–36	37–30	I/O	<b>Port 0:</b> Port 0 is an open-drain, bidirectional I/O port. Port 0 pins that have 1s written to them float and can be used as high-impedance inputs. Port 0 is also the multiplexed low-order address and data bus during accesses to external program and data memory. In this application, it uses strong internal pull-ups when emitting 1s.				
P1.0–P1.7	2–9	40–44, 1–3	I/O	<b>Port 1:</b> Port 1 is an 8-bit bidirectional I/O port with internal pull-ups on all pins except P1.6 and P1.7 which are open drain. Port 1 pins that have 1s written to them are pulled high by the internal pull-ups and can be used as inputs. As inputs, port 1 pins that are externally pulled low will source current because of the internal pull-ups. (See DC Electrical Characteristics: I <sub>IL</sub> ).				
				Alternate functions for P89C660/662/664 Port 1 include:				
				2	40	I/O	<b>T2 (P1.0):</b> Timer/Counter 2 external count input/Clockout (see Programmable Clock-Out)	
				3	41	I	<b>T2EX (P1.1):</b> Timer/Counter 2 Reload/Capture/Direction Control	
				4	42	I	<b>ECI (P1.2):</b> External Clock Input to the PCA	
				5	43	I/O	<b>CEX0 (P1.3):</b> Capture/Compare External I/O for PCA module 0	
				6	44	I/O	<b>CEX1 (P1.4):</b> Capture/Compare External I/O for PCA module 1	
				7	1	I/O	<b>CEX2 (P1.5):</b> Capture/Compare External I/O for PCA module 2	
				8	2	I/O	<b>SCL (P1.6):</b> I <sup>2</sup> C bus clock line (open drain)	
9	3	I/O	<b>SDA (P1.7):</b> I <sup>2</sup> C bus data line (open drain)					
P2.0–P2.7	24–31	18–25	I/O	<b>Port 2:</b> Port 2 is an 8-bit bidirectional I/O port with internal pull-ups. Port 2 pins that have 1s written to them are pulled high by the internal pull-ups and can be used as inputs. As inputs, port 2 pins that are externally being pulled low will source current because of the internal pull-ups. (See DC Electrical Characteristics: I <sub>IL</sub> ). Port 2 emits the high-order address byte during fetches from external program memory and during accesses to external data memory that use 16-bit addresses (MOVX @DPTR). In this application, it uses strong internal pull-ups when emitting 1s. During accesses to external data memory that use 8-bit addresses (MOV @Ri), port 2 emits the contents of the P2 special function register.				
P3.0–P3.7	11, 13–19	5, 7–13	I/O	<b>Port 3:</b> Port 3 is an 8-bit bidirectional I/O port with internal pull-ups. Port 3 pins that have 1s written to them are pulled high by the internal pull-ups and can be used as inputs. As inputs, port 3 pins that are externally being pulled low will source current because of the pull-ups. (See DC Electrical Characteristics: I <sub>IL</sub> ). Port 3 also serves the special features of the P89C660/662/664, as listed below:				
				11	5	I	<b>RxD (P3.0):</b> Serial input port	
				13	7	O	<b>TxD (P3.1):</b> Serial output port	
				14	8	I	<b>INT0 (P3.2):</b> External interrupt	
				15	9	I	<b>INT1 (P3.3):</b> External interrupt	
				16	10	I	<b>CEX3/T0 (P3.4):</b> Timer 0 external input; Capture/Compare External I/O for PCA module 3	
				17	11	I	<b>CEX4/T1 (P3.5):</b> Timer 1 external input; Capture/Compare External I/O for PCA module 4	
				18	12	O	<b>WR (P3.6):</b> External data memory write strobe	
				19	13	O	<b>RD (P3.7):</b> External data memory read strobe	
				RST	10	4	I	<b>Reset:</b> A high on this pin for two machine cycles while the oscillator is running, resets the device. An internal resistor to V <sub>SS</sub> permits a power-on reset using only an external capacitor to V <sub>CC</sub> .
				ALE	33	27	O	<b>Address Latch Enable:</b> Output pulse for latching the low byte of the address during an access to external memory. In normal operation, ALE is emitted twice every machine cycle, and can be used for external timing or clocking. Note that one ALE pulse is skipped during each access to external data memory. ALE can be disabled by setting SFR auxiliary.0. With this bit set, ALE will be active only during a MOVX instruction.
PSEN	32	26	O	<b>Program Store Enable:</b> The read strobe to external program memory. When executing code from the external program memory, PSEN is activated twice each machine cycle, except that two PSEN activations are skipped during each access to external data memory. PSEN is not activated during fetches from internal program memory.				

**80C51 8-bit Flash microcontroller family**  
 16KB/32KB/64KB ISP/IAP Flash with 512B/1KB/2KB RAM

**P89C660/P89C662/P89C664**

MNEMONIC	PIN NUMBER		TYPE	NAME AND FUNCTION
	PLCC	LQFP		
$\overline{EA}/V_{PP}$	35	29	I	<b>External Access Enable/Programming Supply Voltage:</b> $\overline{EA}$ must be externally held low to enable the device to fetch code from external program memory locations. If $\overline{EA}$ is held high, the device executes from internal program memory. The value on the $\overline{EA}$ pin is latched when RST is released and any subsequent changes have no effect. This pin also receives the programming supply voltage ( $V_{PP}$ ) during Flash programming.
XTAL1	21	15	I	<b>Crystal 1:</b> Input to the inverting oscillator amplifier and input to the internal clock generator circuits.
XTAL2	20	14	O	<b>Crystal 2:</b> Output from the inverting oscillator amplifier.

**NOTE:**

To avoid "latch-up" effect at power-on, the voltage on any pin (other than  $V_{PP}$ ) must not be higher than  $V_{CC} + 0.5$  V or less than  $V_{SS} - 0.5$  V.

**80C51 8-bit Flash microcontroller family**  
 16KB/32KB/64KB ISP/IAP Flash with 512B/1KB/2KB RAM

**P89C660/P89C662/P89C664**

**Table 1. Special Function Registers**

SYMBOL	DESCRIPTION	DIRECT ADDRESS	BIT ADDRESS, SYMBOL, OR ALTERNATIVE PORT FUNCTION								RESET VALUE
			MSB							LSB	
ACC*	Accumulator	E0H	E7	E6	E5	E4	E3	E2	E1	E0	00H
AUXR#	Auxiliary	8EH	–	–	–	–	–	–	EXTRAM	AO	xxxxxx10B
AUXR1#	Auxiliary 1	A2H	–	–	ENBOOT	–	GF2	0	–	DPS	xxxxx0x0B
B*	B register	F0H	F7	F6	F5	F4	F3	F2	F1	F0	00H
CCAP0H#	Module 0 Capture High	FAH									xxxxxxxxxB
CCAP1H#	Module 1 Capture High	FBH									xxxxxxxxxB
CCAP2H#	Module 2 Capture High	FCH									xxxxxxxxxB
CCAP3H#	Module 3 Capture High	FDH									xxxxxxxxxB
CCAP4H#	Module 4 Capture High	FEH									xxxxxxxxxB
CCAP0L#	Module 0 Capture Low	EAH									xxxxxxxxxB
CCAP1L#	Module 1 Capture Low	EBH									xxxxxxxxxB
CCAP2L#	Module 2 Capture Low	ECH									xxxxxxxxxB
CCAP3L#	Module 3 Capture Low	EDH									xxxxxxxxxB
CCAP4L#	Module 4 Capture Low	EEH									xxxxxxxxxB
CCAPM0#	Module 0 Mode	C2H	–	ECOM	CAPP	CAPN	MAT	TOG	PWM	ECCF	x0000000B
CCAPM1#	Module 1 Mode	C3H	–	ECOM	CAPP	CAPN	MAT	TOG	PWM	ECCF	x0000000B
CCAPM2#	Module 2 Mode	C4H	–	ECOM	CAPP	CAPN	MAT	TOG	PWM	ECCF	x0000000B
CCAPM3#	Module 3 Mode	C5H	–	ECOM	CAPP	CAPN	MAT	TOG	PWM	ECCF	x0000000B
CCAPM4#	Module 4 Mode	C6H	–	ECOM	CAPP	CAPN	MAT	TOG	PWM	ECCF	x0000000B
			C7	C6	C5	C4	C3	C2	C1	C0	
CCON*#	PCA Counter Control	C0H	CF	CR	–	CCF4	CCF3	CCF2	CCF1	CCF0	00x00000B
CH#	PCA Counter High	F9H									00H
CL#	PCA Counter Low	E9H									00H
CMOD#	PCA Counter Mode	C1H	CIDL	WDTE	–	–	–	CPS1	CPS0	ECF	00xx000B
DPTR:	Data Pointer (2 bytes)										
DPH	Data Pointer High	83H									00H
DPL	Data Pointer Low	82H									00H
			AF	AE	AD	AC	AB	AA	A9	A8	
IEN0*	Interrupt Enable 0	A8H	EA	EC	ES1	ES0	ET1	EX1	ET0	EX0	00H
IEN1*	Interrupt Enable 1	E8	–	–	–	–	–	–	–	ET2	xxxxxxx0B
			BF	BE	BD	BC	BB	BA	B9	B8	
IP*	Interrupt Priority	B8H	PT2	PPC	PS1	PS0	PT1	PX1	PT0	PX0	x0000000B
			B7	B6	B5	B4	B3	B2	B1	B0	
IPH#	Interrupt Priority High	B7H	PT2H	PPCH	PS1H	PS0H	PT1H	PX1H	PT0H	PX0H	x0000000B
			87	86	85	84	83	82	81	80	
P0*	Port 0	80H	AD7	AD6	AD5	AD4	AD3	AD2	AD1	AD0	FFH
			97	96	95	94	93	92	91	90	
P1*	Port 1	90H	SDA	SCL	CEX2	CEX1	CEX0	ECI	T2EX	T2	FFH
			A7	A6	A5	A4	A3	A2	A1	A0	
P2*	Port 2	A0H	AD15	AD14	AD13	AD12	AD11	AD10	AD9	AD8	FFH
			B7	B6	B5	B4	B3	B2	B1	B0	
P3*	Port 3	B0H	$\overline{RD}$	$\overline{WR}$	T1/ CEX4	T0/ CEX3	$\overline{INT1}$	$\overline{INT0}$	TxD	RxD	FFH
PCON# <sup>1</sup>	Power Control	87H	SMOD1	SMOD0	–	POF	GF1	GF0	PD	IDL	00xx000B

\* SFRs are bit addressable.

# SFRs are modified from or added to the 80C51 SFRs.

– Reserved bits.

1. Reset value depends on reset source.

**80C51 8-bit Flash microcontroller family**  
 16KB/32KB/64KB ISP/IAP Flash with 512B/1KB/2KB RAM

**P89C660/P89C662/P89C664**

**Table 1. P89C660/662/664 Special Function Registers (Continued)**

SYMBOL	DESCRIPTION	DIRECT ADDRESS	BIT ADDRESS, SYMBOL, OR ALTERNATIVE PORT FUNCTION								RESET VALUE
			MSB				LSB				
			D7	D6	D5	D4	D3	D2	D1	D0	
PSW*	Program Status Word	D0H	CY	AC	F0	RS1	RS0	OV	F1	P	0000000B
RCAP2H#	Timer 2 Capture High	CBH									00H
RCAP2L#	Timer 2 Capture Low	CAH									00H
SADDR#	Slave Address	A9H									00H
SADEN#	Slave Address Mask	B9H									00H
S0BUF	Serial Data Buffer	99H									xxxxxxxB
											9F
S0CON*	Serial Control	98H	SM0/FE	SM1	SM2	REN	TB8	RB8	T1	RI	00H
SP	Stack Pointer	81H									07H
S1DAT#	Serial 1 Data	DAH									00H
S1IST	Serial 1 Internal Status	DCH									xxxxxxx
S1ADR#	Serial 1 Address	DBH									00H
			SLAVE ADDRESS							GC	
S1STA#	Serial 1 Status	D9H	SC4	SC3	SC2	SC1	SC0	0	0	0	F8H
			DF	DE	DD	DC	DB	DA	D9	D8	
S1CON*#	Serial 1 Control	D8H	CR2	ENS1	STA	STO	SI	AA	CR1	CR0	0000000B
			8F	8E	8D	8C	8B	8A	89	88	
TCON*	Timer Control	88H	TF1	TR1	TF0	TR0	IE1	IT1	IE0	IT0	00H
			CF	CE	CD	CC	CB	CA	C9	C8	
T2CON*	Timer 2 Control	C8H	TF2	EXF2	RCLK	TCLK	EXEN2	TR2	C/T $\bar{2}$	CP/RL $\bar{2}$	00H
T2MOD#	Timer 2 Mode Control	C9H	-	-	-	-	-	-	T2OE	DCEN	xxxxxx00B
TH0	Timer High 0	8CH									00H
TH1	Timer High 1	8DH									00H
TH2#	Timer High 2	CDH									00H
TL0	Timer Low 0	8AH									00H
TL1	Timer Low 1	8BH									00H
TL2#	Timer Low 2	CCH									00H
TMOD	Timer Mode	89H									GATE
WDRST	Watchdog Timer Reset	A6H									

\* SFRs are bit addressable.  
 # SFRs are modified from or added to the 80C51 SFRs.  
 - Reserved bits.

**OSCILLATOR CHARACTERISTICS**

XTAL1 and XTAL2 are the input and output, respectively, of an inverting amplifier. The pins can be configured for use as an on-chip oscillator.

To drive the device from an external clock source, XTAL1 should be driven while XTAL2 is left unconnected. Minimum and maximum high and low times specified in the data sheet must be observed.

This device is configured at the factory to operate using 6 clock periods per machine cycle, referred to in this datasheet as "6 clock mode". (This yields performance equivalent to twice that of standard 80C51 family devices). It may be optionally configured on commercially-available EPROM programming equipment to operate at 12 clocks per machine cycle, referred to in this datasheet as "12 clock mode". Once 12 clock mode has been configured, it cannot be changed back to 6 clock mode.

**RESET**

A reset is accomplished by holding the RST pin high for at least two machine cycles (12 oscillator periods in 6 clock mode, or 24 oscillator periods in 12 clock mode), while the oscillator is running. To insure a good power-on reset, the RST pin must be high long enough to allow the oscillator time to start up (normally a few milliseconds) plus two machine cycles. At power-on, the voltage on V<sub>CC</sub> and RST must come up at the same time for a proper start-up. Ports 1, 2, and 3 will asynchronously be driven to their reset condition when a voltage above V<sub>IH1</sub> (min.) is applied to RESET.

The value on the  $\bar{E}A$  pin is latched when RST is deasserted and has no further effect.



# 80C51 8-bit Flash microcontroller family

16KB/32KB/64KB ISP/IAP Flash with 512B/1KB/2KB RAM

## P89C660/P89C662/P89C664

### LOW POWER MODES

#### Stop Clock Mode

The static design enables the clock speed to be reduced down to 0 MHz (stopped). When the oscillator is stopped, the RAM and Special Function Registers retain their values. This mode allows step-by-step utilization and permits reduced system power consumption by lowering the clock frequency down to any value. For lowest power consumption the Power Down mode is suggested.

#### Idle Mode

In the idle mode (see Table 2), the CPU puts itself to sleep while all of the on-chip peripherals stay active. The instruction to invoke the idle mode is the last instruction executed in the normal operating mode before the idle mode is activated. The CPU contents, the on-chip RAM, and all of the special function registers remain intact during this mode. The idle mode can be terminated either by any enabled interrupt (at which time the process is picked up at the interrupt service routine and continued), or by a hardware reset which starts the processor in the same manner as a power-on reset.

#### Power-Down Mode

To save even more power, a Power Down mode (see Table 2) can be invoked by software. In this mode, the oscillator is stopped and the instruction that invoked Power Down is the last instruction executed. The on-chip RAM and Special Function Registers retain their values down to 2.0 V and care must be taken to return V<sub>CC</sub> to the minimum specified operating voltages before the Power Down Mode is terminated.

Either a hardware reset or external interrupt can be used to exit from Power Down. Reset redefines all the SFRs but does not change the on-chip RAM. An external interrupt allows both the SFRs and the on-chip RAM to retain their values.

To properly terminate Power Down the reset or external interrupt should not be executed before V<sub>CC</sub> is restored to its normal operating level and must be held active long enough for the oscillator to restart and stabilize (normally less than 10ms).

With an external interrupt, INT0 and INT1 must be enabled and configured as level-sensitive. Holding the pin low restarts the oscillator but bringing the pin back high completes the exit. Once the interrupt is serviced, the next instruction to be executed after RETI will be the one following the instruction that put the device into Power Down.

#### POWER OFF FLAG

The Power Off Flag (POF) is set by on-chip circuitry when the V<sub>CC</sub> level on the P89C660/662/664 rises from 0 to 5 V. The POF bit can be set or cleared by software allowing a user to determine if the reset is the result of a power-on or a warm start after powerdown. The V<sub>CC</sub> level must remain above 3 V for the POF to remain unaffected by the V<sub>CC</sub> level.

### Design Consideration

- When the idle mode is terminated by a hardware reset, the device normally resumes program execution, from where it left off, up to two machine cycles before the internal reset algorithm takes control. On-chip hardware inhibits access to internal RAM in this event, but access to the port pins is not inhibited. To eliminate the possibility of an unexpected write when Idle is terminated by reset, the instruction following the one that invokes Idle should not be one that writes to a port pin or to external memory.

#### ONCE™ Mode

The ONCE (“On-Circuit Emulation”) Mode facilitates testing and debugging of systems without the device having to be removed from the circuit. The ONCE Mode is invoked by:

- Pull ALE low while the device is in reset and  $\overline{PSEN}$  is high;
- Hold ALE low as RST is deactivated.

While the device is in ONCE Mode, the Port 0 pins go into a float state, and the other port pins and ALE and  $\overline{PSEN}$  are weakly pulled high. The oscillator circuit remains active. While the device is in this mode, an emulator or test CPU can be used to drive the circuit. Normal operation is restored when a normal reset is applied.

#### Programmable Clock-Out

A 50% duty cycle clock can be programmed to come out on P1.0. This pin, besides being a regular I/O pin, has two alternate functions. It can be programmed:

- to input the external clock for Timer/Counter 2, or
- to output a 50% duty cycle clock ranging from 122Hz to 8MHz at a 16MHz operating frequency (61 Hz to 4 MHz in 12 clock mode).

To configure the Timer/Counter 2 as a clock generator, bit C/T2 (in T2CON) must be cleared and bit T20E in T2MOD must be set. Bit TR2 (T2CON.2) also must be set to start the timer.

The Clock-Out frequency depends on the oscillator frequency and the reload value of Timer 2 capture registers (RCAP2H, RCAP2L) as shown in this equation:

$$n = \frac{\text{Oscillator Frequency}}{n \times (65536 - \text{RCAP2H, RCAP2L})}$$

n =        2 in 6 clock mode  
              4 in 12 clock mode

Where (RCAP2H,RCAP2L) = the content of RCAP2H and RCAP2L taken as a 16-bit unsigned integer.

In the Clock-Out mode Timer 2 roll-overs will not generate an interrupt. This is similar to when it is used as a baud-rate generator. It is possible to use Timer 2 as a baud-rate generator and a clock generator simultaneously. Note, however, that the baud-rate and the Clock-Out frequency will be the same.

**Table 2. External Pin Status During Idle and Power-Down Mode**

MODE	PROGRAM MEMORY	ALE	$\overline{PSEN}$	PORT 0	PORT 1	PORT 2	PORT 3
Idle	Internal	1	1	Data	Data	Data	Data
Idle	External	1	1	Float	Data	Address	Data
Power-down	Internal	0	0	Data	Data	Data	Data
Power-down	External	0	0	Float	Data	Data	Data

**80C51 8-bit Flash microcontroller family**  
 16KB/32KB/64KB ISP/IAP Flash with 512B/1KB/2KB RAM

**P89C660/P89C662/P89C664**

**I<sup>2</sup>C SERIAL COMMUNICATION — SIO1**

The I<sup>2</sup>C serial port is identical to the I<sup>2</sup>C serial port on the 8XC554, 8XC654, and 8XC652 devices. The operation of this subsystem is described in detail in the 80C554/83C554/87C554 datasheet.

Note that in both the P89C660/662/664 and the 8XC552 the I<sup>2</sup>C pins are alternate functions to port pins P1.6 and P1.7. Because of this, P1.6 and P1.7 on these parts do not have a pull-up structure as found on the 80C51. Therefore P1.6 and P1.7 have open drain outputs on the P89C660/662/664.

**Serial Control Register (S1CON) – See Table 3**

**S1CON (D8H)**

CR2	ENS1	STA	STO	SI	AA	CR1	CR0
-----	------	-----	-----	----	----	-----	-----

Bits CR0, CR1 and CR2 determine the serial clock frequency that is generated in the master mode of operation.

**Table 3. Serial Clock Rates**

6 clock mode								
CR2	CR1	CR0	BIT FREQUENCY (kHz) AT f <sub>OSC</sub>					f <sub>OSC</sub> DIVIDED BY
			3 MHz	6 MHz	8 MHz	12 MHz <sup>2</sup>	15 MHz <sup>2</sup>	
0	0	0	23	47	62.5	94	117 <sup>1</sup>	128
0	0	1	27	54	71	107 <sup>1</sup>	134 <sup>1</sup>	112
0	1	0	31	63	83.3	125 <sup>1</sup>	156 <sup>1</sup>	96
0	1	1	37	75	100	150 <sup>1</sup>	188 <sup>1</sup>	80
1	0	0	6.25	12.5	17	25	31	480
1	0	1	50	100	133 <sup>1</sup>	200 <sup>1</sup>	250 <sup>1</sup>	60
1	1	0	100	200	267 <sup>1</sup>	400 <sup>1</sup>	500 <sup>1</sup>	30
1	1	1	0.24 < 62.5 0 < 255	0.49 < 62.5 0 < 254	0.65 < 55.6 0 < 253	0.98 < 50.0 0 < 251	1.22 < 52.1 0 < 250	48 × (256 – (reload value Timer 1)) Reload value Timer 1 in Mode 2.

12 clock mode								
CR2	CR1	CR0	BIT FREQUENCY (kHz) AT f <sub>OSC</sub>					f <sub>OSC</sub> DIVIDED BY
			6 MHz	12 MHz	16 MHz	24 MHz <sup>3</sup>	30 MHz <sup>3</sup>	
0	0	0	23	47	62.5	94	117 <sup>1</sup>	256
0	0	1	27	54	71	107 <sup>1</sup>	134 <sup>1</sup>	224
0	1	0	31	63	83.3	125 <sup>1</sup>	156 <sup>1</sup>	192
0	1	1	37	75	100	150 <sup>1</sup>	188 <sup>1</sup>	160
1	0	0	6.25	12.5	17	25	31	960
1	0	1	50	100	133 <sup>1</sup>	200 <sup>1</sup>	250 <sup>1</sup>	120
1	1	0	100	200	267 <sup>1</sup>	400 <sup>1</sup>	500 <sup>1</sup>	60
1	1	1	0.24 < 62.5 0 < 255	0.49 < 62.5 0 < 254	0.65 < 55.6 0 < 253	0.98 < 50.0 0 < 251	1.22 < 52.1 0 < 250	96 × (256 – (reload value Timer 1)) Reload value Timer 1 in Mode 2.

**NOTES:**

1. These frequencies exceed the upper limit of 100 kHz of the I<sup>2</sup>C-bus specification and cannot be used in an I<sup>2</sup>C-bus application.
2. At f<sub>OSC</sub> = 12 MHz/15 MHz the maximum I<sup>2</sup>C bus rate of 100 kHz cannot be realized due to the fixed divider rates.
3. At f<sub>OSC</sub> = 24 MHz/30 MHz the maximum I<sup>2</sup>C bus rate of 100 kHz cannot be realized due to the fixed divider rates.

# 80C51 8-bit Flash microcontroller family

16KB/32KB/64KB ISP/IAP Flash with 512B/1KB/2KB RAM

## P89C660/P89C662/P89C664

### TIMER 2 OPERATION

#### Timer 2

Timer 2 is a 16-bit Timer/Counter which can operate as either an event timer or an event counter, as selected by C/T2\* in the special function register T2CON (see Figure 1). Timer 2 has three operating modes: Capture, Auto-reload (up or down counting), and Baud Rate Generator, which are selected by bits in the T2CON as shown in Table 4.

#### Capture Mode

In the capture mode there are two options which are selected by bit EXEN2 in T2CON. If EXEN2=0, then timer 2 is a 16-bit timer or counter (as selected by C/T2\* in T2CON) which, upon overflowing sets bit TF2, the timer 2 overflow bit. This bit can be used to generate an interrupt (by enabling the Timer 2 interrupt bit in the IE register). If EXEN2= 1, Timer 2 operates as described above, but with the added feature that a 1- to -0 transition at external input T2EX causes the current value in the Timer 2 registers, TL2 and TH2, to be captured into registers RCAP2L and RCAP2H, respectively. In addition, the transition at T2EX causes bit EXF2 in T2CON to be set, and EXF2 like TF2 can generate an interrupt (which vectors to the same location as Timer 2 overflow interrupt. The Timer 2 interrupt service routine can interrogate TF2 and EXF2 to determine which event caused the interrupt). The capture mode is illustrated in Figure 2 (There is no reload value for TL2 and TH2 in this mode. Even when a capture event occurs from T2EX, the counter keeps on counting T2EX pin transitions or osc/6 pulses (osc/12 in 12 clock mode).).

#### Auto-Reload Mode (Up or Down Counter)

In the 16-bit auto-reload mode, Timer 2 can be configured (as either a timer or counter [C/T2\* in T2CON]) then programmed to count up or down. The counting direction is determined by bit DCEN (Down

Counter Enable) which is located in the T2MOD register (see Figure 3). When reset is applied the DCEN=0 which means Timer 2 will default to counting up. If DCEN bit is set, Timer 2 can count up or down depending on the value of the T2EX pin.

Figure 4 shows Timer 2 which will count up automatically since DCEN=0. In this mode there are two options selected by bit EXEN2 in T2CON register. If EXEN2=0, then Timer 2 counts up to 0FFFFH and sets the TF2 (Overflow Flag) bit upon overflow. This causes the Timer 2 registers to be reloaded with the 16-bit value in RCAP2L and RCAP2H. The values in RCAP2L and RCAP2H are preset by software means.

If EXEN2=1, then a 16-bit reload can be triggered either by an overflow or by a 1-to-0 transition at input T2EX. This transition also sets the EXF2 bit. The Timer 2 interrupt, if enabled, can be generated when either TF2 or EXF2 are 1.

In Figure 5 DCEN=1 which enables Timer 2 to count up or down. This mode allows pin T2EX to control the direction of count. When a logic 1 is applied at pin T2EX Timer 2 will count up. Timer 2 will overflow at 0FFFFH and set the TF2 flag, which can then generate an interrupt, if the interrupt is enabled. This timer overflow also causes the 16-bit value in RCAP2L and RCAP2H to be reloaded into the timer registers TL2 and TH2.

When a logic 0 is applied at pin T2EX this causes Timer 2 to count down. The timer will underflow when TL2 and TH2 become equal to the value stored in RCAP2L and RCAP2H. Timer 2 underflow sets the TF2 flag and causes 0FFFFH to be reloaded into the timer registers TL2 and TH2.

The external flag EXF2 toggles when Timer 2 underflows or overflows. This EXF2 bit can be used as a 17th bit of resolution if needed. The EXF2 flag does not generate an interrupt in this mode of operation.

		(MSB)							(LSB)
		TF2	EXF2	RCLK	TCLK	EXEN2	TR2	C/T2	CP/RL2
Symbol	Position	Name and Significance							
TF2	T2CON.7	Timer 2 overflow flag set by a Timer 2 overflow and must be cleared by software. TF2 will not be set when either RCLK or TCLK = 1.							
EXF2	T2CON.6	Timer 2 external flag set when either a capture or reload is caused by a negative transition on T2EX and EXEN2 = 1. When Timer 2 interrupt is enabled, EXF2 = 1 will cause the CPU to vector to the Timer 2 interrupt routine. EXF2 must be cleared by software. EXF2 does not cause an interrupt in up/down counter mode (DCEN = 1).							
RCLK	T2CON.5	Receive clock flag. When set, causes the serial port to use Timer 2 overflow pulses for its receive clock in modes 1 and 3. RCLK = 0 causes Timer 1 overflow to be used for the receive clock.							
TCLK	T2CON.4	Transmit clock flag. When set, causes the serial port to use Timer 2 overflow pulses for its transmit clock in modes 1 and 3. TCLK = 0 causes Timer 1 overflows to be used for the transmit clock.							
EXEN2	T2CON.3	Timer 2 external enable flag. When set, allows a capture or reload to occur as a result of a negative transition on T2EX if Timer 2 is not being used to clock the serial port. EXEN2 = 0 causes Timer 2 to ignore events at T2EX.							
TR2	T2CON.2	Start/stop control for Timer 2. A logic 1 starts the timer.							
C/T2	T2CON.1	Timer or counter select. (Timer 2) 0 = Internal timer (OSC/6 in 6 clock mode or OSC/12 in 12 clock mode) 1 = External event counter (falling edge triggered).							
CP/RL2	T2CON.0	Capture/Reload flag. When set, captures will occur on negative transitions at T2EX if EXEN2 = 1. When cleared, auto-reloads will occur either with Timer 2 overflows or negative transitions at T2EX when EXEN2 = 1. When either RCLK = 1 or TCLK = 1, this bit is ignored and the timer is forced to auto-reload on Timer 2 overflow.							

SU01251

Figure 1. Timer/Counter 2 (T2CON) Control Register

80C51 8-bit Flash microcontroller family  
 16KB/32KB/64KB ISP/IAP Flash with 512B/1KB/2KB RAM

P89C660/P89C662/P89C664

Table 4. Timer 2 Operating Modes

RCLK + TCLK	CP/RL2	TR2	MODE
0	0	1	16-bit Auto-reload
0	1	1	16-bit Capture
1	X	1	Baud rate generator
X	X	0	(off)

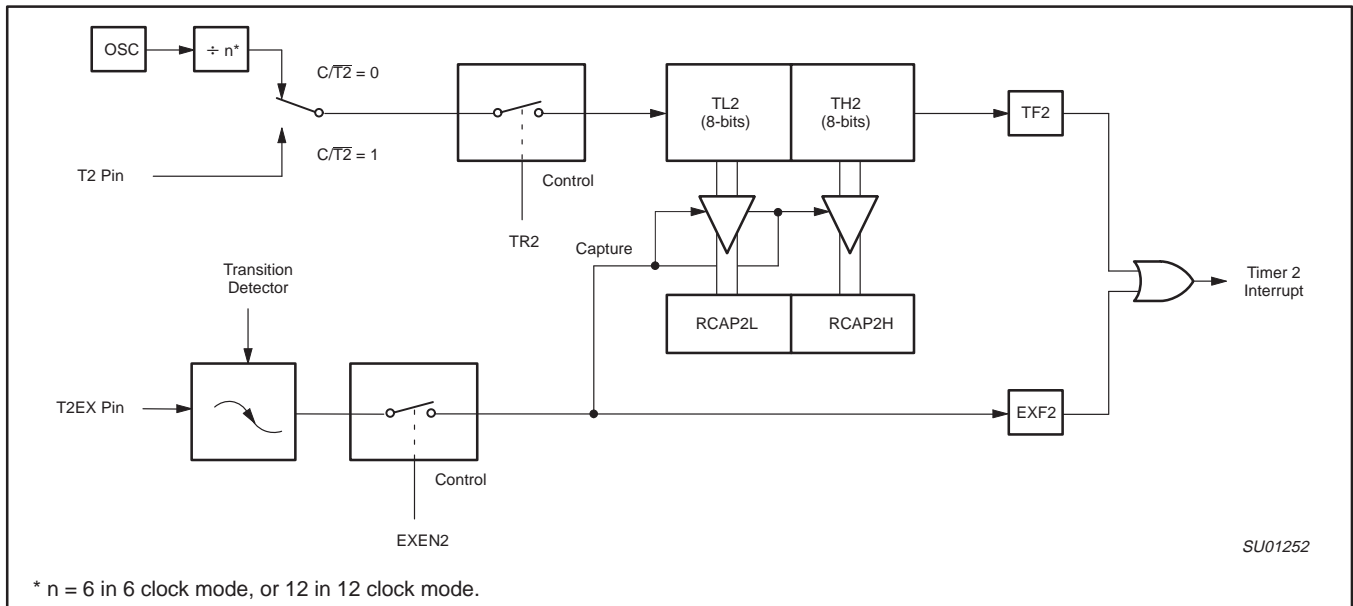


Figure 2. Timer 2 in Capture Mode

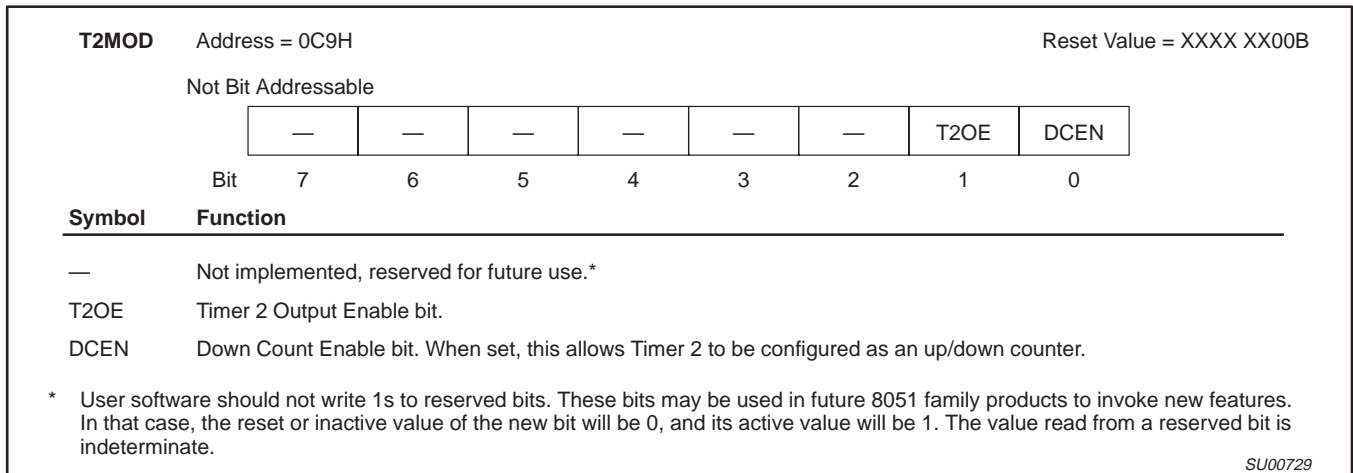


Figure 3. Timer 2 Mode (T2MOD) Control Register

80C51 8-bit Flash microcontroller family  
 16KB/32KB/64KB ISP/IAP Flash with 512B/1KB/2KB RAM

P89C660/P89C662/P89C664

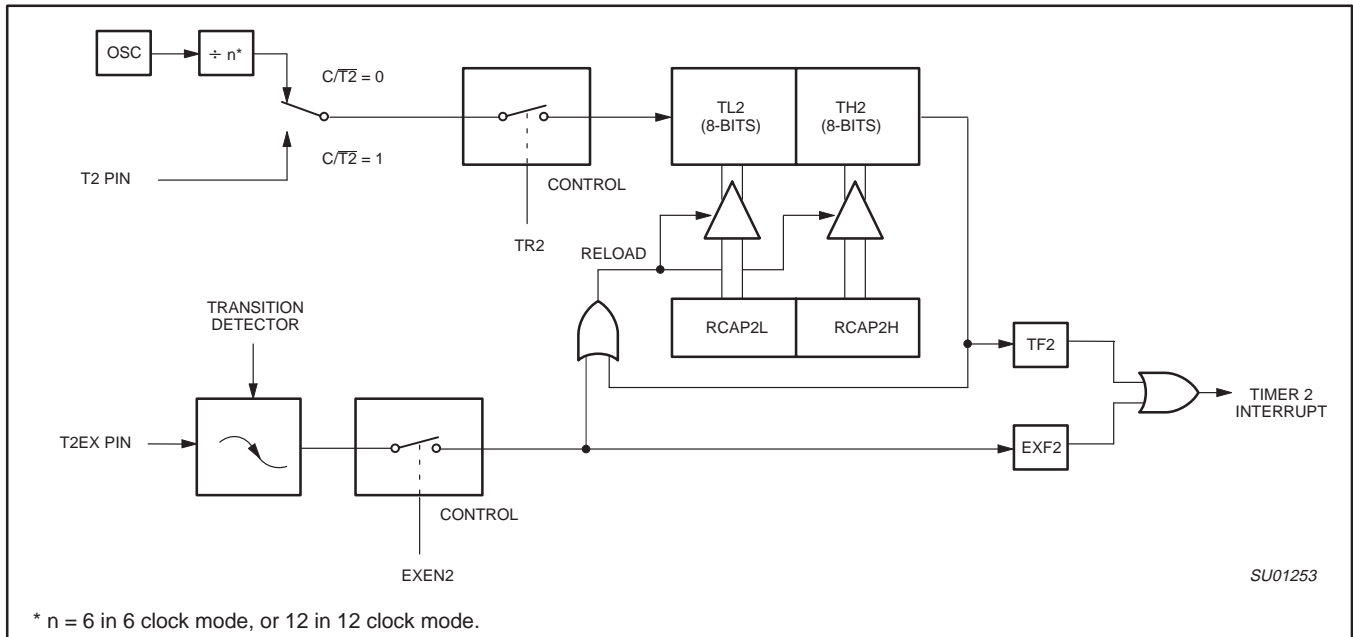


Figure 4. Timer 2 in Auto-Reload Mode (DCEN = 0)

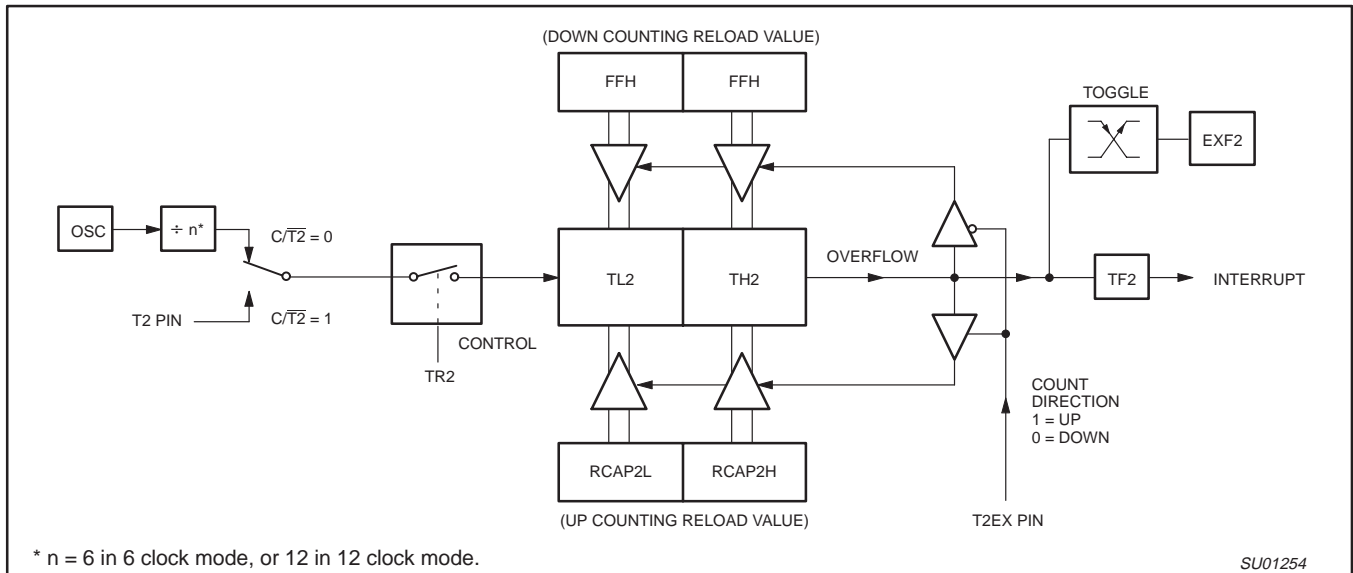


Figure 5. Timer 2 Auto Reload Mode (DCEN = 1)

80C51 8-bit Flash microcontroller family  
16KB/32KB/64KB ISP/IAP Flash with 512B/1KB/2KB RAM

P89C660/P89C662/P89C664

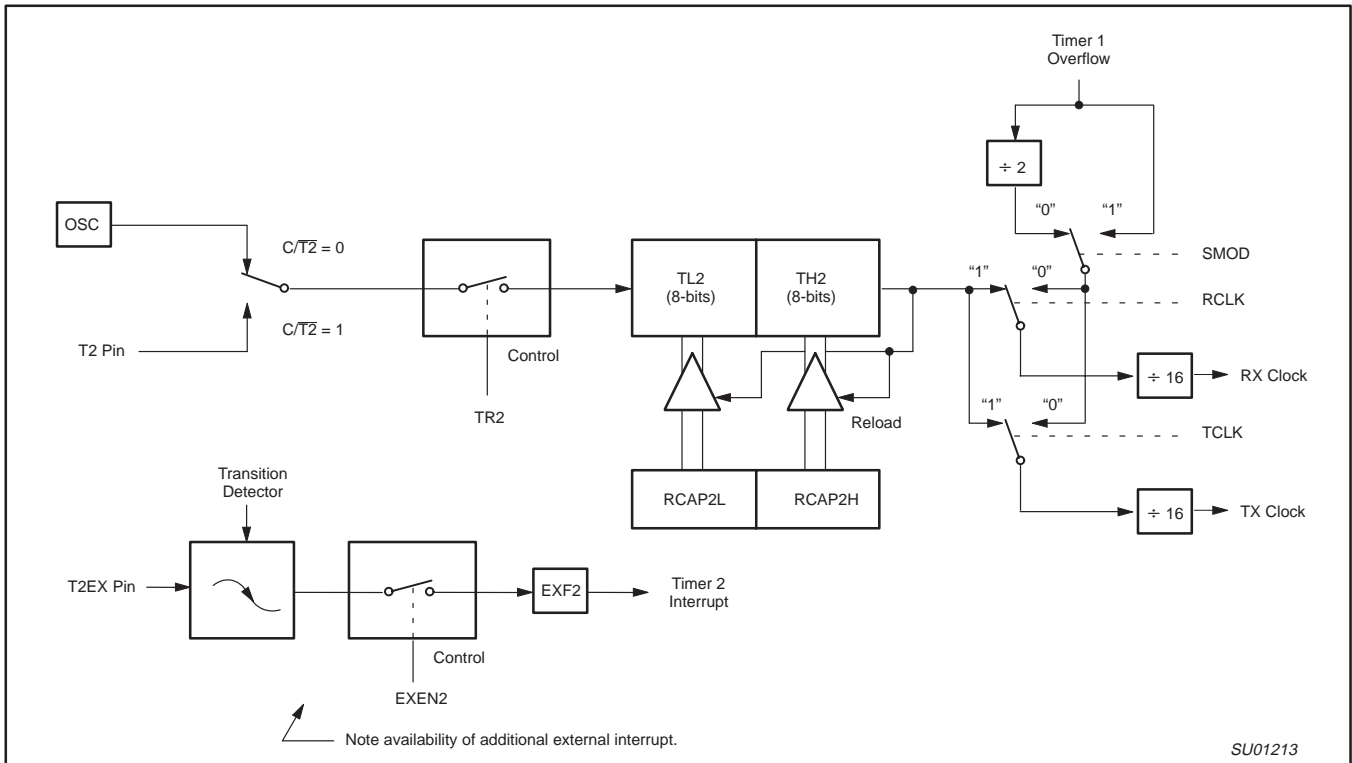


Figure 6. Timer 2 in Baud Rate Generator Mode

Table 5. Timer 2 Generated Commonly Used Baud Rates

Baud Rate		Osc Freq	Timer 2	
12 clock mode	6 clock mode		RCAP2H	RCAP2L
375 k	750 k	12 MHz	FF	FF
9.6 k	19.2 k	12 MHz	FF	D9
2.8 k	5.6 k	12 MHz	FF	B2
2.4 k	4.8 k	12 MHz	FF	64
1.2 k	2.4 k	12 MHz	FE	C8
300	600	12 MHz	FB	1E
110	220	12 MHz	F2	AF
300	600	6 MHz	FD	8F
110	220	6 MHz	F9	57

**Baud Rate Generator Mode**

Bits TCLK and/or RCLK in T2CON (Table 5) allow the serial port transmit and receive baud rates to be derived from either Timer 1 or Timer 2. When TCLK= 0, Timer 1 is used as the serial port transmit baud rate generator. When TCLK= 1, Timer 2 is used as the serial port transmit baud rate generator. RCLK has the same effect for the serial port receive baud rate. With these two bits, the serial port can have different receive and transmit baud rates – one generated by Timer 1, the other by Timer 2.

Figure 6 shows the Timer 2 in baud rate generation mode. The baud rate generation mode is like the auto-reload mode, in that a rollover in TH2 causes the Timer 2 registers to be reloaded with the 16-bit value in registers RCAP2H and RCAP2L, which are preset by software.

The baud rates in modes 1 and 3 are determined by Timer 2's overflow rate given below:

$$\text{Modes 1 and 3 Baud Rates} = \frac{\text{Timer 2 Overflow Rate}}{16}$$

The timer can be configured for either "timer" or "counter" operation. In many applications, it is configured for "timer" operation (C/T2\*=0). Timer operation is different for Timer 2 when it is being used as a baud rate generator.

Usually, as a timer it would increment every machine cycle (i.e., 1/6 the oscillator frequency in 6 clock mode, 1/12 the oscillator frequency in 12 clock mode). As a baud rate generator, it increments at the oscillator frequency in 6 clock mode (OSC/2 in 12 clock mode). Thus the baud rate formula is as follows:

$$\text{Modes 1 and 3 Baud Rates} = \frac{\text{Oscillator Frequency}}{[n * \times [65536 - (\text{RCAP2H}, \text{RCAP2L})]}$$

\* n = 16 in 6 clock mode  
32 in 12 clock mode

Where: (RCAP2H, RCAP2L)= The content of RCAP2H and RCAP2L taken as a 16-bit unsigned integer.

The Timer 2 as a baud rate generator mode shown in Figure 6, is valid only if RCLK and/or TCLK = 1 in T2CON register. Note that a rollover in TH2 does not set TF2, and will not generate an interrupt. Thus, the Timer 2 interrupt does not have to be disabled when Timer 2 is in the baud rate generator mode. Also if the EXEN2 (T2 external enable flag) is set, a 1-to-0 transition in T2EX (Timer/counter 2 trigger input) will set EXF2 (T2 external flag) but will not cause a reload from (RCAP2H, RCAP2L) to (TH2, TL2). Therefore when Timer 2 is in use as a baud rate generator, T2EX can be used as an additional external interrupt, if needed.

**80C51 8-bit Flash microcontroller family**  
 16KB/32KB/64KB ISP/IAP Flash with 512B/1KB/2KB RAM

**P89C660/P89C662/P89C664**

When Timer 2 is in the baud rate generator mode, one should not try to read or write TH2 and TL2. As a baud rate generator, Timer 2 is incremented every state time ( $osc/2$ ) or asynchronously from pin T2; under these conditions, a read or write of TH2 or TL2 may not be accurate. The RCAP2 registers may be read, but should not be written to, because a write might overlap a reload and cause write and/or reload errors. The timer should be turned off (clear TR2) before accessing the Timer 2 or RCAP2 registers.

Table 5 shows commonly used baud rates and how they can be obtained from Timer 2.

**Summary Of Baud Rate Equations**

Timer 2 is in baud rate generating mode. If Timer 2 is being clocked through pin T2(P1.0) the baud rate is:

$$\text{Baud Rate} = \frac{\text{Timer 2 Overflow Rate}}{16}$$

If Timer 2 is being clocked internally, the baud rate is:

$$\text{Baud Rate} = \frac{f_{osc}}{[n * \times [65536 - (RCAP2H, RCAP2L)]]}$$

\* n = 16 in 6 clock mode  
32 in 12 clock mode

Where  $f_{OSC}$ = Oscillator Frequency

To obtain the reload value for RCAP2H and RCAP2L, the above equation can be rewritten as:

$$RCAP2H, RCAP2L = 65536 - \left( \frac{f_{osc}}{n * \times \text{Baud Rate}} \right)$$

**Timer/Counter 2 Set-up**

Except for the baud rate generator mode, the values given for T2CON do not include the setting of the TR2 bit. Therefore, bit TR2 must be set, separately, to turn the timer on. see Table 6 for set-up of Timer 2 as a timer. Also see Table 7 for set-up of Timer 2 as a counter.

**Table 6. Timer 2 as a Timer**

MODE	T2CON	
	INTERNAL CONTROL (Note 1)	EXTERNAL CONTROL (Note 2)
16-bit Auto-Reload	00H	08H
16-bit Capture	01H	09H
Baud rate generator receive and transmit same baud rate	34H	36H
Receive only	24H	26H
Transmit only	14H	16H

**Table 7. Timer 2 as a Counter**

MODE	TMOD	
	INTERNAL CONTROL (Note 1)	EXTERNAL CONTROL (Note 2)
16-bit	02H	0AH
Auto-Reload	03H	0BH

**NOTES:**

1. Capture/reload occurs only on timer/counter overflow.
2. Capture/reload occurs on timer/counter overflow and a 1-to-0 transition on T2EX (P1.1) pin except when Timer 2 is used in the baud rate generator mode.

# 80C51 8-bit Flash microcontroller family

## 16KB/32KB/64KB ISP/IAP Flash with 512B/1KB/2KB RAM

# P89C660/P89C662/P89C664

### Enhanced UART

The UART operates in all of the usual modes that are described in the first section of *Data Handbook IC20, 80C51-Based 8-Bit Microcontrollers*. In addition the UART can perform framing error detect by looking for missing stop bits, and automatic address recognition. The UART also fully supports multiprocessor communication as does the standard 80C51 UART.

When used for framing error detect the UART looks for missing stop bits in the communication. A missing bit will set the FE bit in the S0CON register. The FE bit shares the S0CON.7 bit with SM0 and the function of S0CON.7 is determined by PCON.6 (SMOD0) (see Figure 7). If SMOD0 is set then S0CON.7 functions as FE. S0CON.7 functions as SM0 when SMOD0 is cleared. When used as FE S0CON.7 can only be cleared by software. Refer to Figure 8.

### Automatic Address Recognition

Automatic Address Recognition is a feature which allows the UART to recognize certain addresses in the serial bit stream by using hardware to make the comparisons. This feature saves a great deal of software overhead by eliminating the need for the software to examine every serial address which passes by the serial port. This feature is enabled by setting the SM2 bit in S0CON. In the 9 bit UART modes, mode 2 and mode 3, the Receive Interrupt flag (RI) will be automatically set when the received byte contains either the "Given" address or the "Broadcast" address. The 9 bit mode requires that the 9th information bit is a 1 to indicate that the received information is an address and not data. Automatic address recognition is shown in Figure 9.

The 8 bit mode is called Mode 1. In this mode the RI flag will be set if SM2 is enabled and the information received has a valid stop bit following the 8 address bits and the information is either a Given or Broadcast address.

Mode 0 is the Shift Register mode and SM2 is ignored.

Using the Automatic Address Recognition feature allows a master to selectively communicate with one or more slaves by invoking the Given slave address or addresses. All of the slaves may be contacted by using the Broadcast address. Two special Function Registers are used to define the slave's address, SADDR, and the address mask, SADEN. SADEN is used to define which bits in the SADDR are to be used and which bits are "don't care". The SADEN mask can be logically ANDed with the SADDR to create the "Given" address which the master will use for addressing each of the slaves. Use of the Given address allows multiple slaves to be recognized while excluding others. The following examples will help to show the versatility of this scheme:

Slave 0	SADDR =	1100 0000
	SADEN =	1111 1101
	Given =	1100 00X0

Slave 1	SADDR =	1100 0000
	SADEN =	1111 1110
	Given =	1100 00X0

In the above example SADDR is the same and the SADEN data is used to differentiate between the two slaves. Slave 0 requires a 0 in bit 0 and it ignores bit 1. Slave 1 requires a 0 in bit 1 and bit 0 is ignored. A unique address for Slave 0 would be 1100 0010 since slave 1 requires a 0 in bit 1. A unique address for slave 1 would be 1100 0001 since a 1 in bit 0 will exclude slave 0. Both slaves can be selected at the same time by an address which has bit 0 = 0 (for slave 0) and bit 1 = 0 (for slave 1). Thus, both could be addressed with 1100 0000.

In a more complex system the following could be used to select slaves 1 and 2 while excluding slave 0:

Slave 0	SADDR =	1100 0000
	SADEN =	1111 1001
	Given =	1100 0XX0
Slave 1	SADDR =	1110 0000
	SADEN =	1111 1010
	Given =	1110 0X0X
Slave 2	SADDR =	1110 0000
	SADEN =	1111 1100
	Given =	1110 00XX

In the above example the differentiation among the 3 slaves is in the lower 3 address bits. Slave 0 requires that bit 0 = 0 and it can be uniquely addressed by 1110 0110. Slave 1 requires that bit 1 = 0 and it can be uniquely addressed by 1110 and 0101. Slave 2 requires that bit 2 = 0 and its unique address is 1110 0011. To select Slaves 0 and 1 and exclude Slave 2 use address 1110 0100, since it is necessary to make bit 2 = 1 to exclude slave 2.

The Broadcast Address for each slave is created by taking the logical OR of SADDR and SADEN. Zeros in this result are treated as don't-cares. In most cases, interpreting the don't-cares as ones, the broadcast address will be FF hexadecimal.

Upon reset SADDR (SFR address 0A9H) and SADEN (SFR address 0B9H) are loaded with 0s. This produces a given address of all "don't cares" as well as a Broadcast address of all "don't cares". This effectively disables the Automatic Addressing mode and allows the microcontroller to use standard 80C51 type UART drivers which do not make use of this feature.



80C51 8-bit Flash microcontroller family  
 16KB/32KB/64KB ISP/IAP Flash with 512B/1KB/2KB RAM

P89C660/P89C662/P89C664

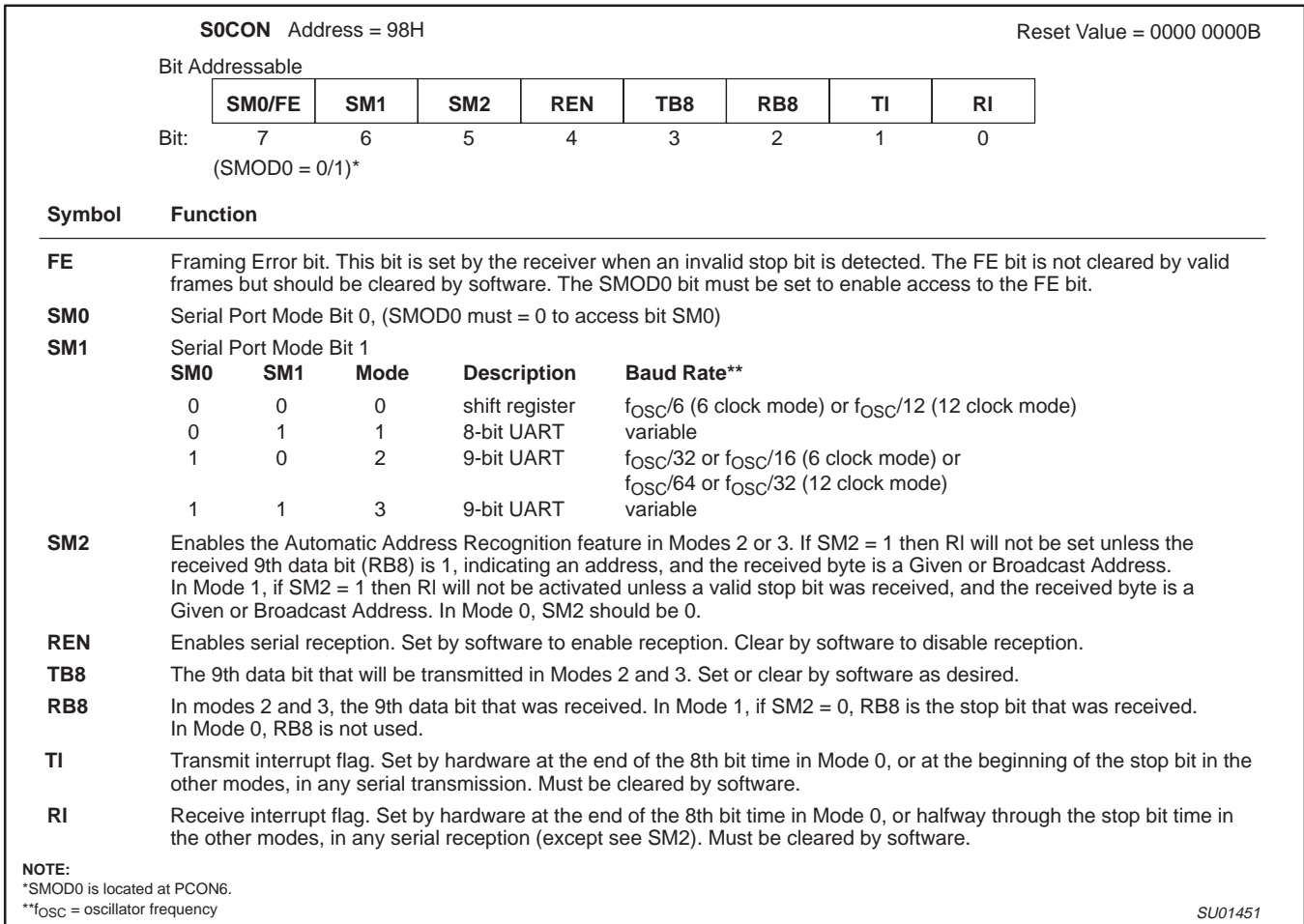


Figure 7. S0CON: Serial Port Control Register

80C51 8-bit Flash microcontroller family  
 16KB/32KB/64KB ISP/IAP Flash with 512B/1KB/2KB RAM

P89C660/P89C662/P89C664

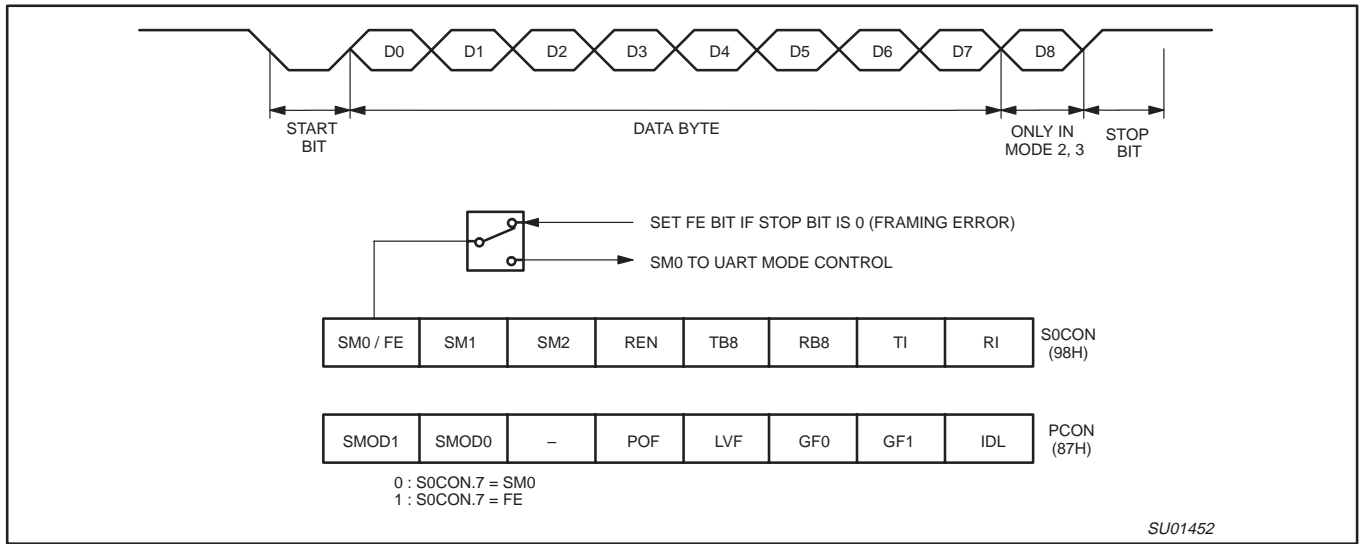


Figure 8. UART Framing Error Detection

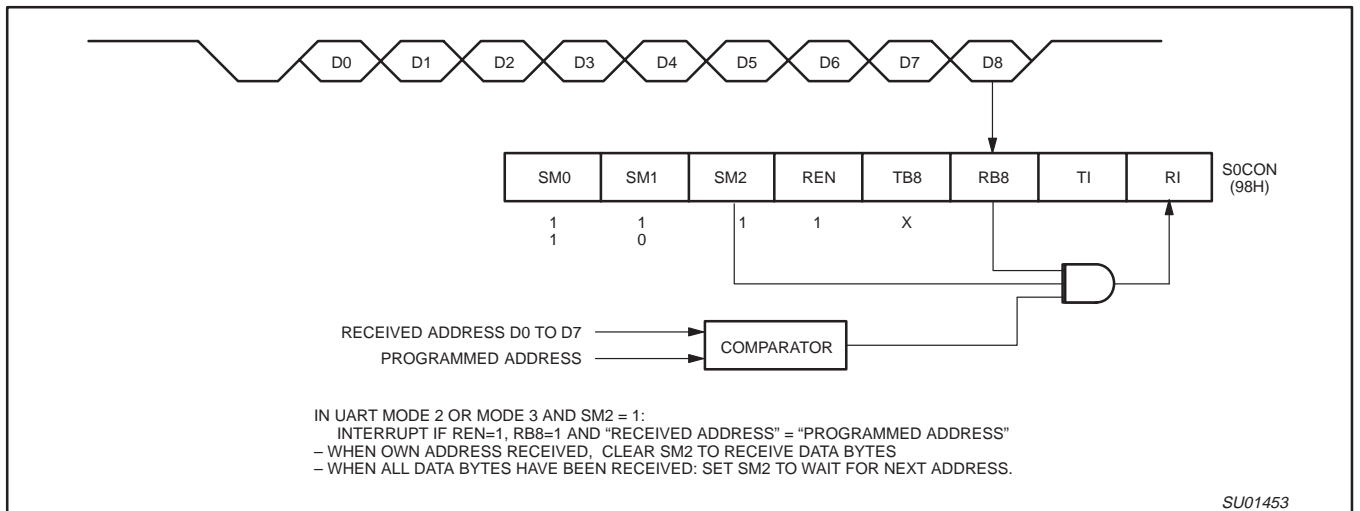


Figure 9. UART Multiprocessor Communication, Automatic Address Recognition

**80C51 8-bit Flash microcontroller family**  
 16KB/32KB/64KB ISP/IAP Flash with 512B/1KB/2KB RAM

**P89C660/P89C662/P89C664**

**Interrupt Priority Structure**

The P89C660/662/664 has an 8 source four-level interrupt structure (see Table 8).

There are 4 SFRs associated with the four-level interrupt. They are the IE, IP, IEN1, and IPH. (See Figures 10, 11, 12, and 13.) The IPH (Interrupt Priority High) register makes the four-level interrupt structure possible. The IPH is located at SFR address B7H. The structure of the IPH register and a description of its bits is shown in Figure 12.

The function of the IPH SFR when combined with the IP SFR determines the priority of each interrupt. The priority of each interrupt is determined as shown in the following table:

The priority scheme for servicing the interrupts is the same as that for the 80C51, except there are four interrupt levels rather than two as on the 80C51. An interrupt will be serviced as long as an interrupt of equal or higher priority is not already being serviced. If an interrupt of equal or higher level priority is being serviced, the new interrupt will wait until it is finished before being serviced. If a lower priority level interrupt is being serviced, it will be stopped and the new interrupt serviced. When the new interrupt is finished, the lower priority level interrupt that was stopped will be completed.

PRIORITY BITS		INTERRUPT PRIORITY LEVEL
IPH.x	IP.x	
0	0	Level 0 (lowest priority)
0	1	Level 1
1	0	Level 2
1	1	Level 3 (highest priority)

**Table 8. Interrupt Table**

SOURCE	POLLING PRIORITY	REQUEST BITS	HARDWARE CLEAR?	VECTOR ADDRESS
X0	1	IE0	N (L) <sup>1</sup> Y (T) <sup>2</sup>	03H
SI01 (I <sup>2</sup> C)	2	—	N	2BH
T0	3	TP0	Y	0BH
X1	4	IE1	N (L) Y (T)	13H
T1	5	TF1	Y	1BH
SP	6	RI, TI	N	23H
T2	7	TF2, EXF2	N	3BH
PCA	8	CF, CCF <sub>n</sub> n = 0–4	N	33H

**NOTES:**

1. L = Level activated
2. T = Transition activated

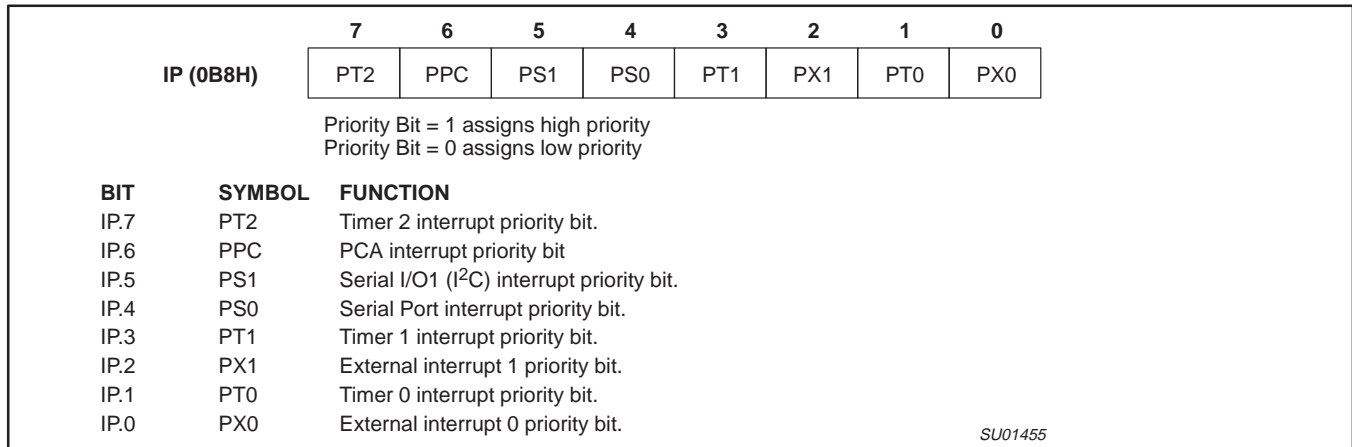
		7	6	5	4	3	2	1	0
<b>IEN0 (0A8H)</b>		EA	EC	ES1	ES0	ET1	EX1	ET0	EX0
		Enable Bit = 1 enables the interrupt. Enable Bit = 0 disables it.							
<b>BIT</b>	<b>SYMBOL</b>	<b>FUNCTION</b>							
IEN0.7	EA	Global disable bit. If EA = 0, all interrupts are disabled. If EA = 1, each interrupt can be individually enabled or disabled by setting or clearing its enable bit.							
IEN0.6	EC	PCA interrupt enable bit							
IEN0.5	ES1	I <sup>2</sup> C interrupt enable bit.							
IEN0.4	ES0	Serial Port interrupt enable bit.							
IEN0.3	ET1	Timer 1 interrupt enable bit.							
IEN0.2	EX1	External interrupt 1 enable bit.							
IEN0.1	ET0	Timer 0 interrupt enable bit.							
IEN0.0	EX0	External interrupt 0 enable bit.							

SU01454

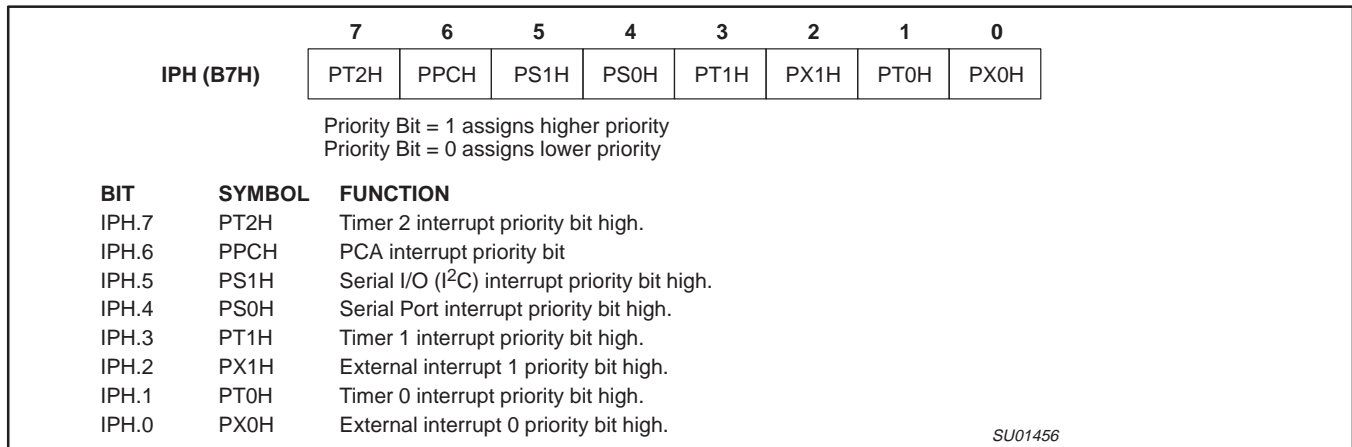
**Figure 10. IE Registers**

**80C51 8-bit Flash microcontroller family**  
 16KB/32KB/64KB ISP/IAP Flash with 512B/1KB/2KB RAM

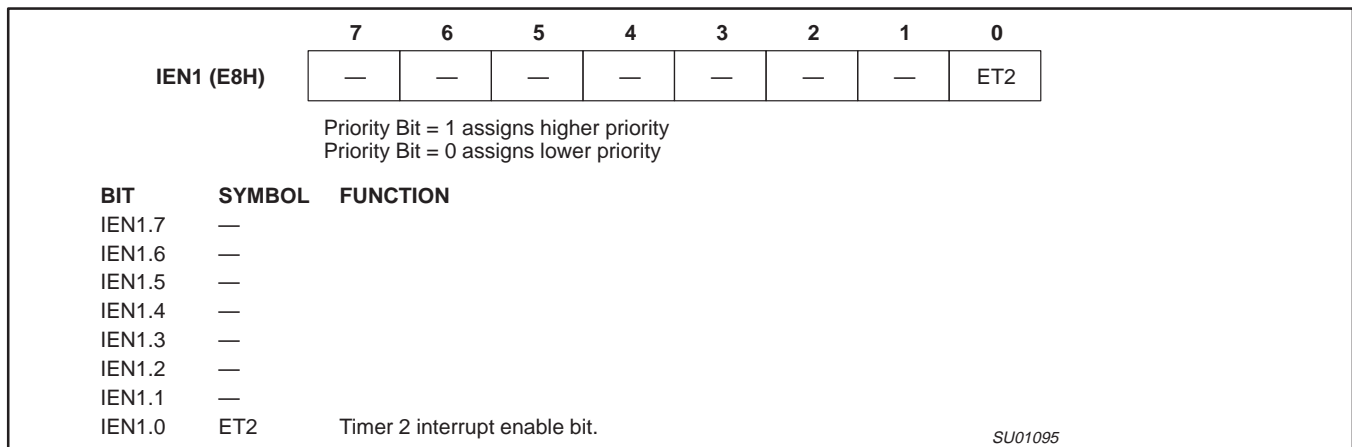
**P89C660/P89C662/P89C664**



**Figure 11. IP Registers**



**Figure 12. IPH Registers**



**Figure 13. IEN1 Registers**

# 80C51 8-bit Flash microcontroller family

16KB/32KB/64KB ISP/IAP Flash with 512B/1KB/2KB RAM

## P89C660/P89C662/P89C664

### Reduced EMI Mode

The AO bit (AUXR.0) in the AUXR register when set disables the ALE output.

### Reduced EMI Mode

#### AUXR (8EH)

7	6	5	4	3	2	1	0
-	-	-	-	-	-	EXTRAM	AO

AUXR.1 EXTRAM  
 AUXR.0 AO Turns off ALE output.

### Dual DPTR

The dual DPTR structure (see Figure 14) is a way by which the chip will specify the address of an external data memory location. There are two 16-bit DPTR registers that address the external memory, and a single bit called DPS = AUXR1/bit0 that allows the program code to switch between them.

- New Register Name: AUXR1#
- SFR Address: A2H
- Reset Value: xxxx0x0B

#### AUXR1 (A2H)

7	6	5	4	3	2	1	0
-	-	ENBOOT	-	GF2	0	-	DPS

Where:

DPS = AUXR1/bit0 = Switches between DPTR0 and DPTR1.

Select Reg	DPS
DPTR0	0
DPTR1	1

The DPS bit status should be saved by software when switching between DPTR0 and DPTR1.

The GF2 bit is a general purpose user-defined flag. Note that bit 2 is not writable and is always read as a zero. This allows the DPS bit to

be quickly toggled simply by executing an INC AUXR1 instruction without affecting the GF2 bit.

**The ENBOOT bit determines whether the BOOTROM is enabled or disabled.** This bit will automatically be set if the status byte is non zero during reset or  $\overline{PSEN}$  is pulled low, ALE floats high, and  $EA > V_{IH}$  on the falling edge of reset. Otherwise, this bit will be cleared during reset.

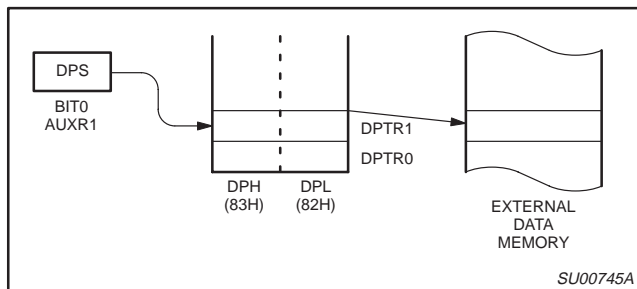


Figure 14.

### DPTR Instructions

The instructions that refer to DPTR refer to the data pointer that is currently selected using the AUXR1/bit 0 register. The six instructions that use the DPTR are as follows:

INC DPTR	Increments the data pointer by 1
MOV DPTR, #data16	Loads the DPTR with a 16-bit constant
MOV A, @ A+DPTR	Move code byte relative to DPTR to ACC
MOVX A, @ DPTR	Move external RAM (16-bit address) to ACC
MOVX @ DPTR, A	Move ACC to external RAM (16-bit address)
JMP @ A + DPTR	Jump indirect relative to DPTR

The data pointer can be accessed on a byte-by-byte basis by specifying the low or high byte in an instruction which accesses the SFRs. See application note AN458 for more details.

# 80C51 8-bit Flash microcontroller family

16KB/32KB/64KB ISP/IAP Flash with 512B/1KB/2KB RAM

## P89C660/P89C662/P89C664

### Programmable Counter Array (PCA)

The Programmable Counter Array available on the 89C66x is a special 16-bit Timer that has five 16-bit capture/compare modules associated with it. Each of the modules can be programmed to operate in one of four modes: rising and/or falling edge capture, software timer, high-speed output, or pulse width modulator. Each module has a pin associated with it in port 1. Module 0 is connected to P1.3(CEX0), module 1 to P1.4(CEX1), etc. The basic PCA configuration is shown in Figure 15.

The PCA timer is a common time base for all five modules and can be programmed to run at: 1/6 the oscillator frequency, 1/2 the oscillator frequency, the Timer 0 overflow, or the input on the ECI pin (P1.2). The timer count source is determined from the CPS1 and CPS0 bits in the CMOD SFR as follows (see Figure 18):

CPS1	CPS0	PCA Timer Count Source
0	0	1/6 oscillator frequency (6 clock mode); 1/12 oscillator frequency (12 clock mode)
0	1	1/2 oscillator frequency (6 clock mode); 1/4 oscillator frequency (12 clock mode)
1	0	Timer 0 overflow
1	1	External Input at ECI pin

In the CMOD SFR are three additional bits associated with the PCA. They are CIDL which allows the PCA to stop during idle mode, WDTE which enables or disables the watchdog function on module 4, and ECF which when set causes an interrupt and the PCA overflow flag CF (in the CCON SFR) to be set when the PCA timer overflows. These functions are shown in Figure 16.

The watchdog timer function is implemented in module 4 (see Figure 25).

The CCON SFR contains the run control bit for the PCA and the flags for the PCA timer (CF) and each module (refer to Figure 19). To run the PCA the CR bit (CCON.6) must be set by software. The PCA is shut off by clearing this bit. The CF bit (CCON.7) is set when

the PCA counter overflows and an interrupt will be generated if the ECF bit in the CMOD register is set, The CF bit can only be cleared by software. Bits 0 through 4 of the CCON register are the flags for the modules (bit 0 for module 0, bit 1 for module 1, etc.) and are set by hardware when either a match or a capture occurs. These flags also can only be cleared by software. The PCA interrupt system shown in Figure 17.

Each module in the PCA has a special function register associated with it. These registers are: CCAPM0 for module 0, CCAPM1 for module 1, etc. (see Figure 20). The registers contain the bits that control the mode that each module will operate in. The ECCF bit (CCAPMn.0 where n=0, 1, 2, 3, or 4 depending on the module) enables the CCF flag in the CCON SFR to generate an interrupt when a match or compare occurs in the associated module. PWM (CCAPMn.1) enables the pulse width modulation mode. The TOG bit (CCAPMn.2) when set causes the CEX output associated with the module to toggle when there is a match between the PCA counter and the module's capture/compare register. The match bit MAT (CCAPMn.3) when set will cause the CCFn bit in the CCON register to be set when there is a match between the PCA counter and the module's capture/compare register.

The next two bits CAPN (CCAPMn.4) and CAPP (CCAPMn.5) determine the edge that a capture input will be active on. The CAPN bit enables the negative edge, and the CAPP bit enables the positive edge. If both bits are set both edges will be enabled and a capture will occur for either transition. The last bit in the register ECOM (CCAPMn.6) when set enables the comparator function. Figure 21 shows the CCAPMn settings for the various PCA functions.

There are two additional registers associated with each of the PCA modules. They are CCAPnH and CCAPnL and these are the registers that store the 16-bit count when a capture occurs or a compare should occur. When a module is used in the PWM mode these registers are used to control the duty cycle of the output.

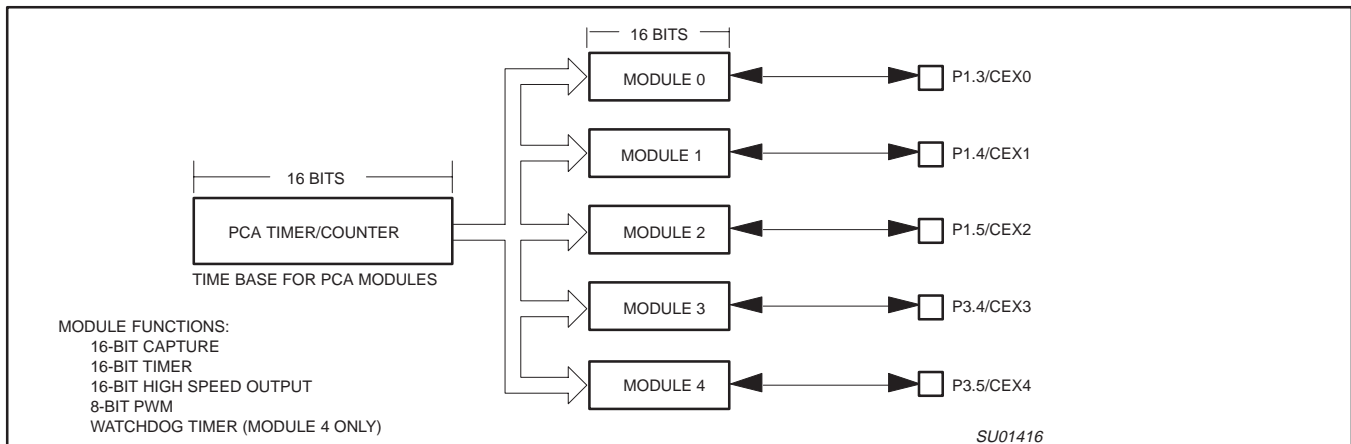


Figure 15. Programmable Counter Array (PCA)

80C51 8-bit Flash microcontroller family  
 16KB/32KB/64KB ISP/IAP Flash with 512B/1KB/2KB RAM

P89C660/P89C662/P89C664

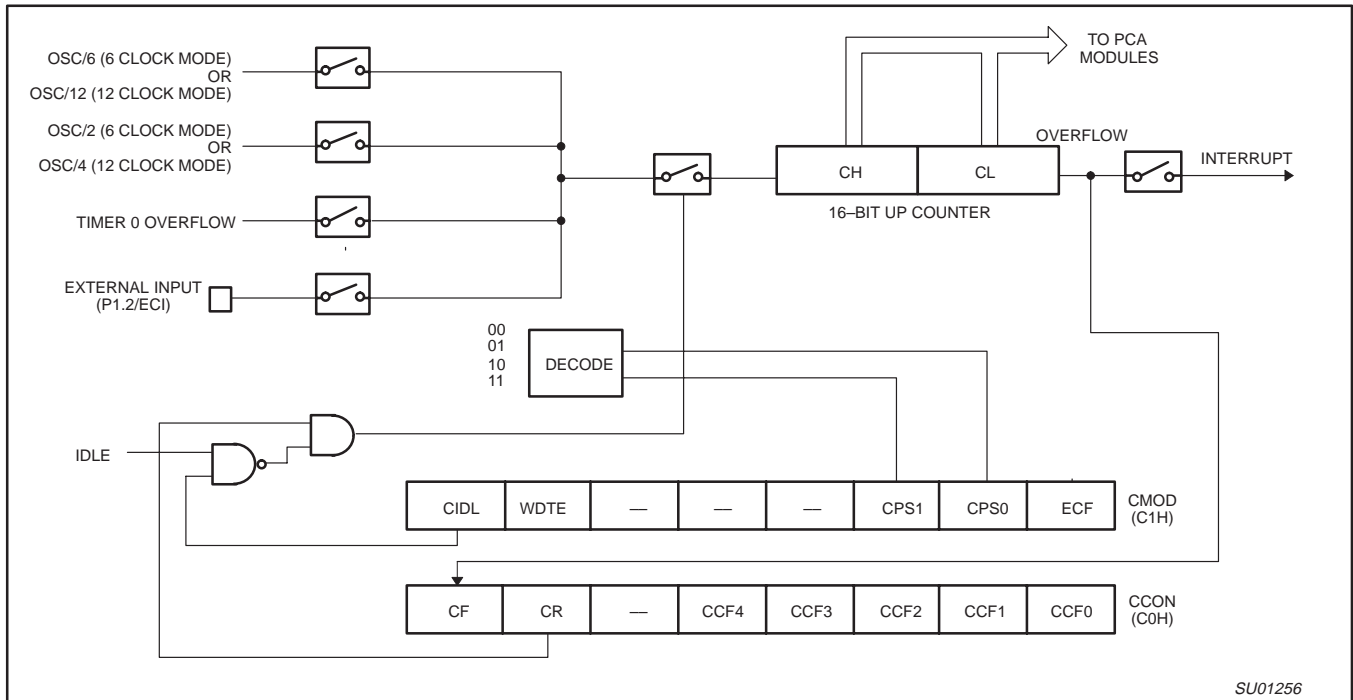


Figure 16. PCA Timer/Counter

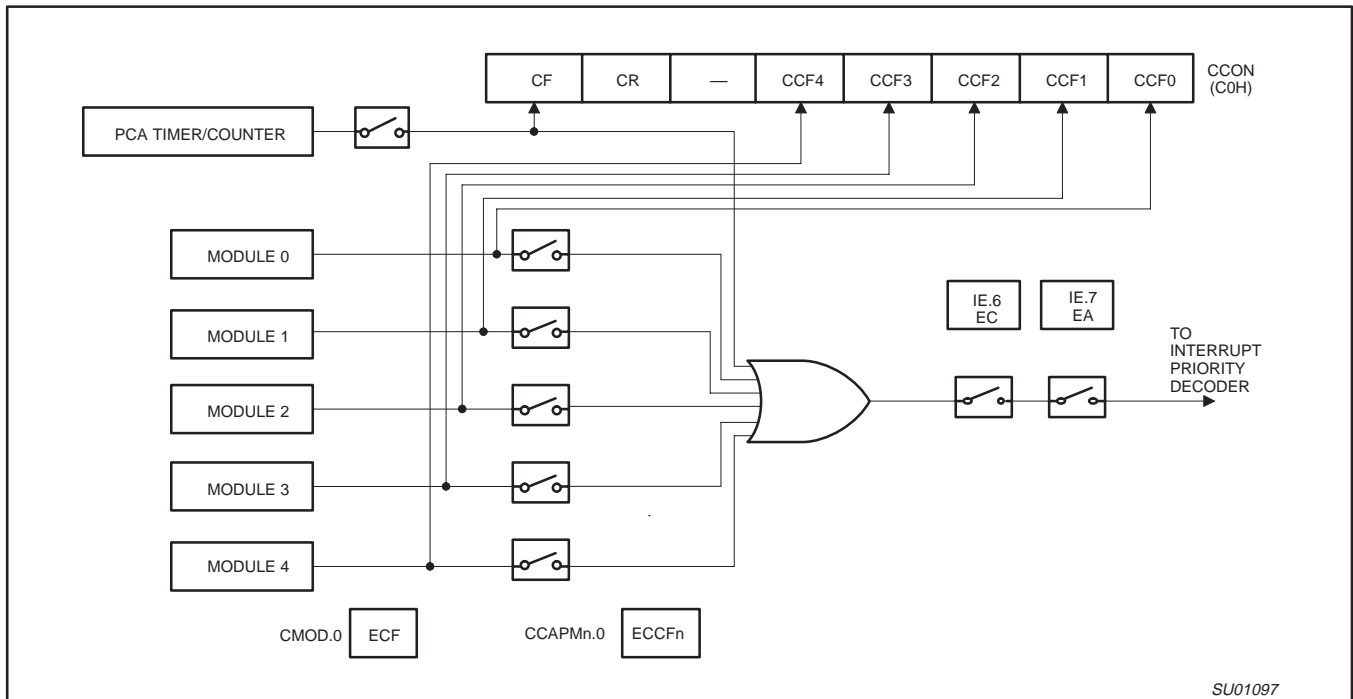
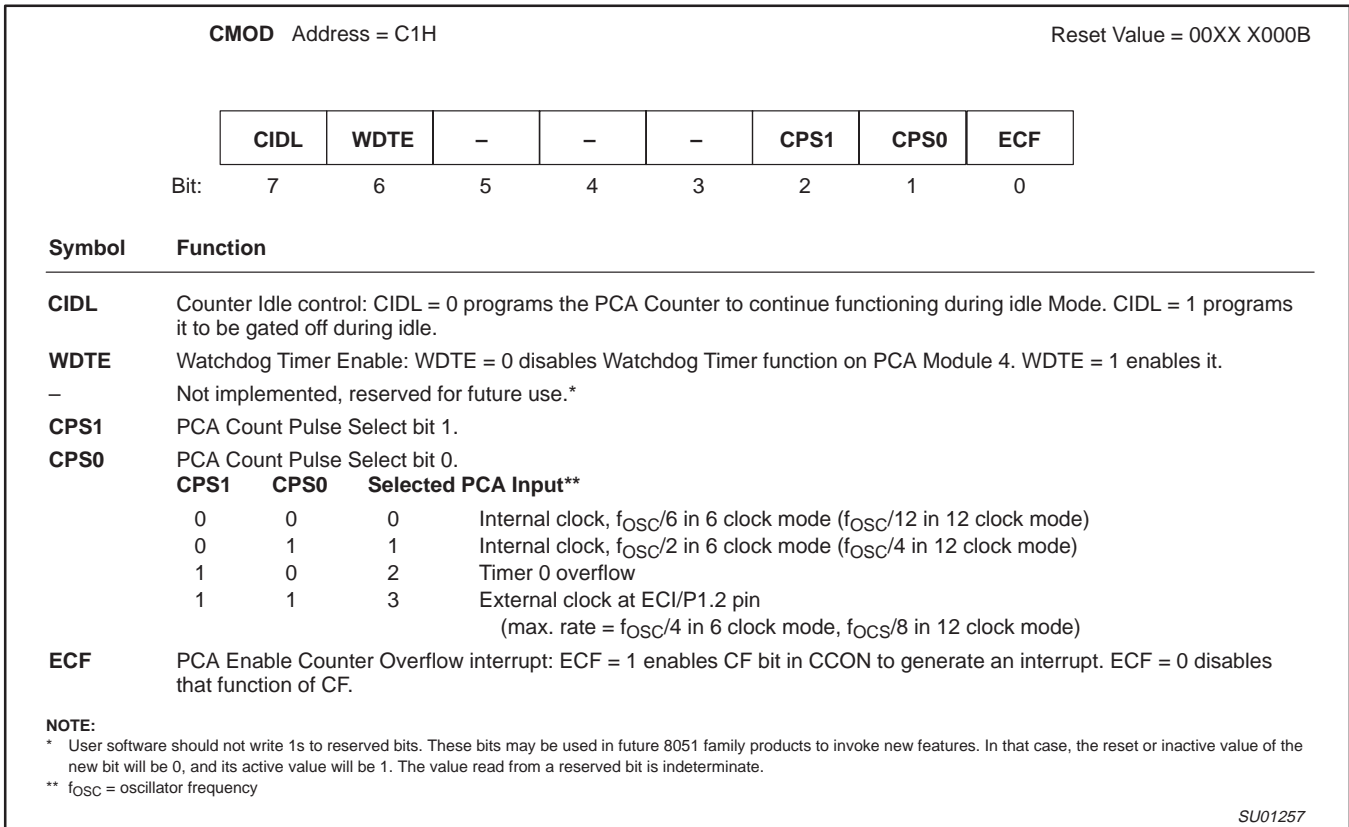


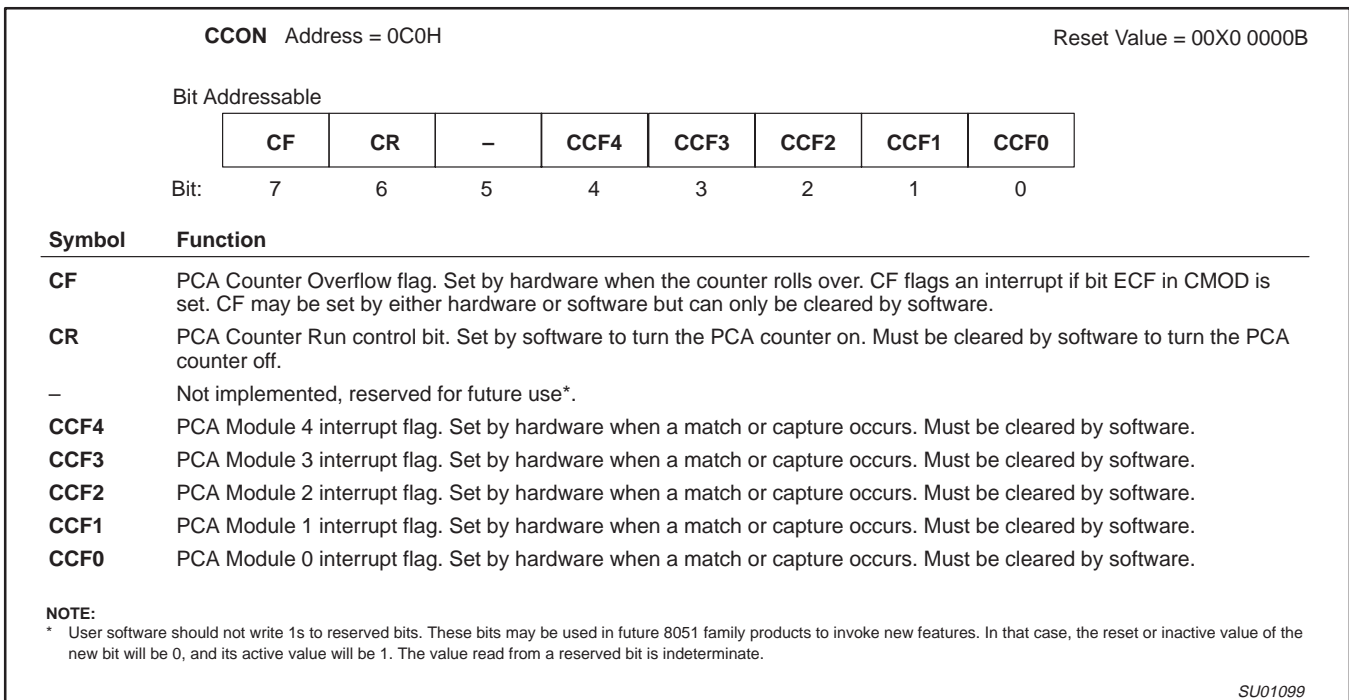
Figure 17. PCA Interrupt System

**80C51 8-bit Flash microcontroller family**  
 16KB/32KB/64KB ISP/IAP Flash with 512B/1KB/2KB RAM

**P89C660/P89C662/P89C664**



**Figure 18. CMOD: PCA Counter Mode Register**

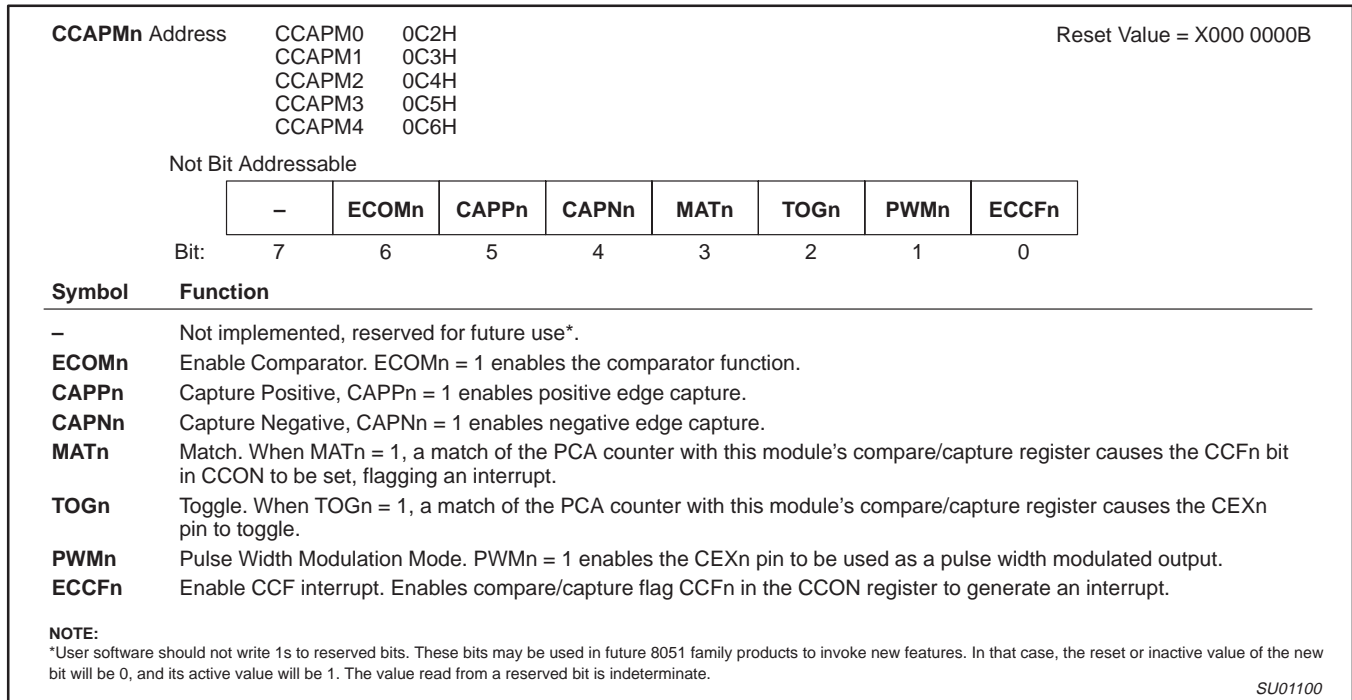


**Figure 19. CCON: PCA Counter Control Register**



**80C51 8-bit Flash microcontroller family**  
 16KB/32KB/64KB ISP/IAP Flash with 512B/1KB/2KB RAM

**P89C660/P89C662/P89C664**



**Figure 20. CCAPMn: PCA Modules Compare/Capture Registers**

–	ECOMn	CAPPn	CAPNn	MATn	TOGn	PWMn	ECCFn	MODULE FUNCTION
X	0	0	0	0	0	0	0	No operation
X	X	1	0	0	0	0	X	16-bit capture by a positive-edge trigger on CEXn
X	X	0	1	0	0	0	X	16-bit capture by a negative trigger on CEXn
X	X	1	1	0	0	0	X	16-bit capture by a transition on CEXn
X	1	0	0	1	0	0	X	16-bit Software Timer
X	1	0	0	1	1	0	X	16-bit High Speed Output
X	1	0	0	0	0	1	0	8-bit PWM
X	1	0	0	1	X	0	X	Watchdog Timer

**Figure 21. PCA Module Modes (CCAPMn Register)**

**PCA Capture Mode**

To use one of the PCA modules in the capture mode either one or both of the CCAPM bits CAPN and CAPP for that module must be set. The external CEX input for the module (on port 1) is sampled for a transition. When a valid transition occurs the PCA hardware loads the value of the PCA counter registers (CH and CL) into the module's capture registers (CCAPnL and CCAPnH). If the CCFn bit for the module in the CCON SFR and the ECCFn bit in the CCAPMn SFR are set then an interrupt will be generated. Refer to Figure 22.

**16-bit Software Timer Mode**

The PCA modules can be used as software timers by setting both the ECOM and MAT bits in the modules CCAPMn register. The PCA timer will be compared to the module's capture registers and when a match occurs an interrupt will occur if the CCFn (CCON SFR) and the ECCFn (CCAPMn SFR) bits for the module are both set (see Figure 23).

**High Speed Output Mode**

In this mode the CEX output (on port 1) associated with the PCA module will toggle each time a match occurs between the PCA

counter and the module's capture registers. To activate this mode the TOG, MAT, and ECOM bits in the module's CCAPMn SFR must be set (see Figure 24).

**Pulse Width Modulator Mode**

All of the PCA modules can be used as PWM outputs. Figure 25 shows the PWM function. The frequency of the output depends on the source for the PCA timer. All of the modules will have the same frequency of output because they all share the PCA timer. The duty cycle of each module is independently variable using the module's capture register CCAPLn. When the value of the PCA CL SFR is less than the value in the module's CCAPLn SFR the output will be low, when it is equal to or greater than the output will be high. When CL overflows from FF to 00, CCAPLn is reloaded with the value in CCAPHn. the allows updating the PWM without glitches. The PWM and ECOM bits in the module's CCAPMn register must be set to enable the PWM mode.

80C51 8-bit Flash microcontroller family  
 16KB/32KB/64KB ISP/IAP Flash with 512B/1KB/2KB RAM

P89C660/P89C662/P89C664

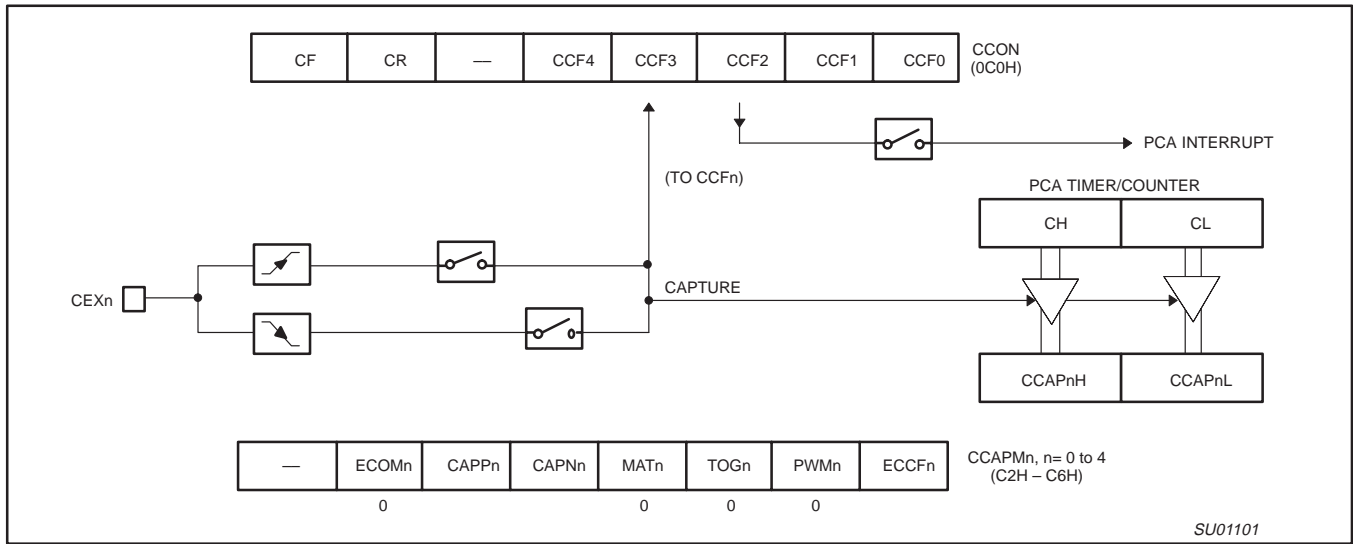


Figure 22. PCA Capture Mode

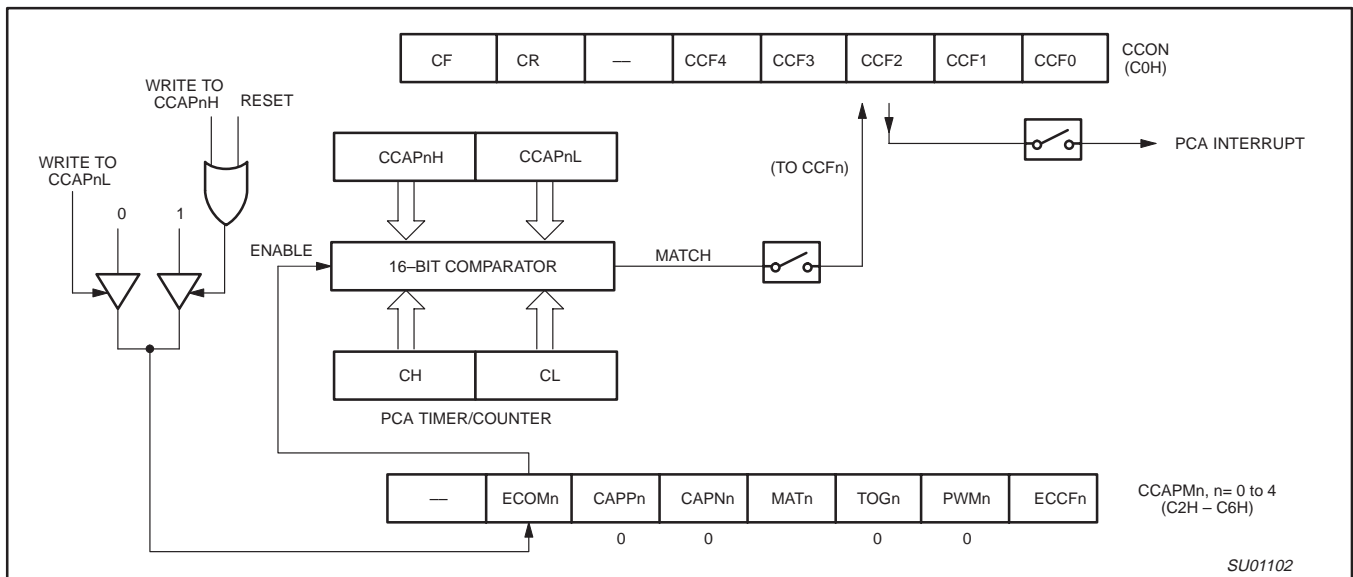


Figure 23. PCA Compare Mode

80C51 8-bit Flash microcontroller family  
 16KB/32KB/64KB ISP/IAP Flash with 512B/1KB/2KB RAM

P89C660/P89C662/P89C664

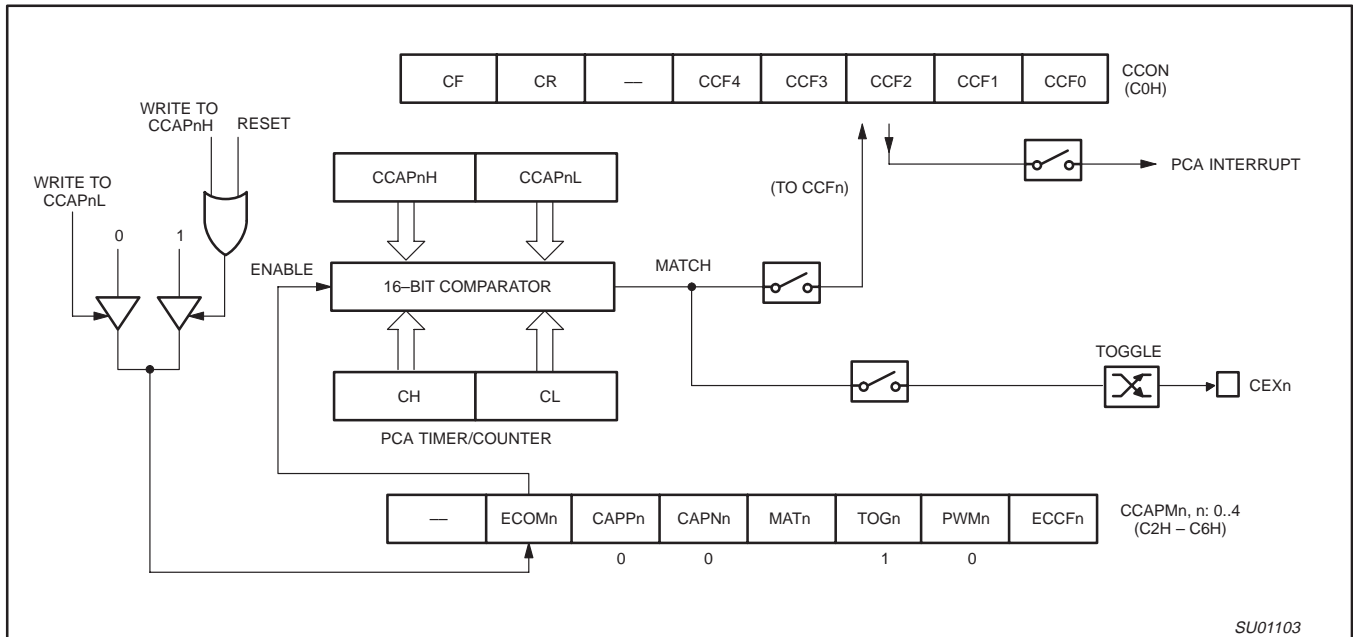


Figure 24. PCA High Speed Output Mode

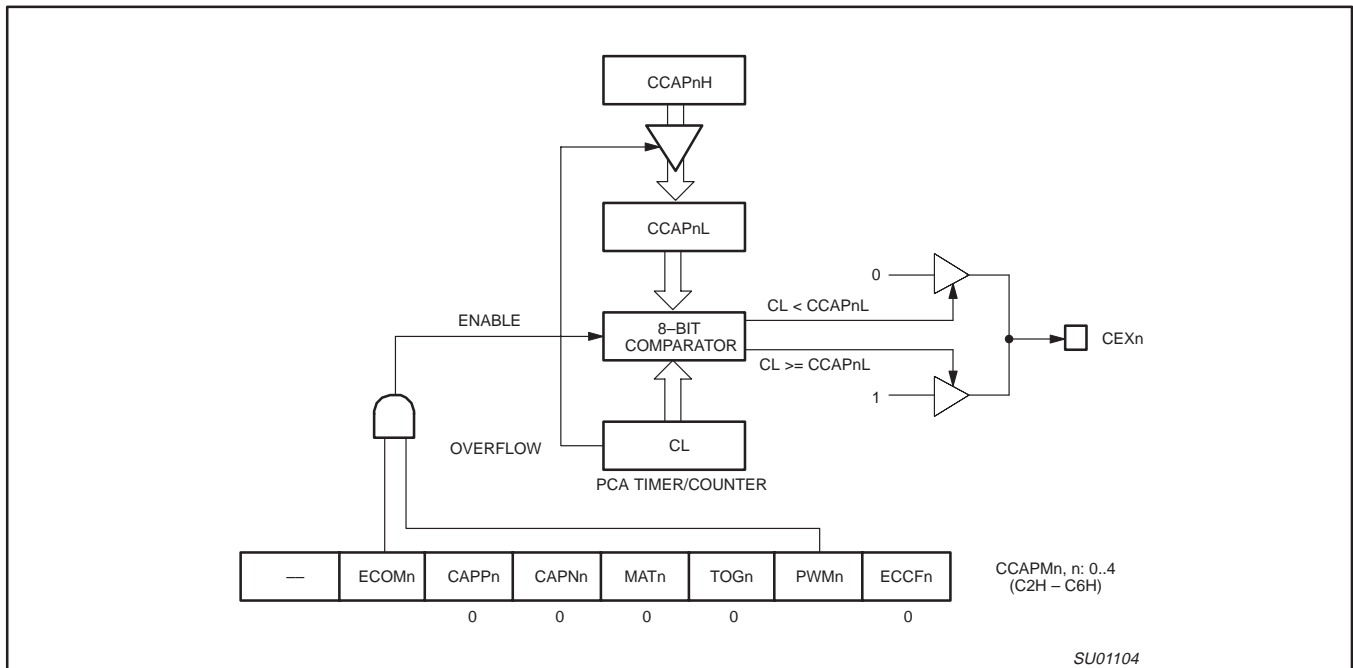


Figure 25. PCA PWM Mode

80C51 8-bit Flash microcontroller family  
 16KB/32KB/64KB ISP/IAP Flash with 512B/1KB/2KB RAM

P89C660/P89C662/P89C664

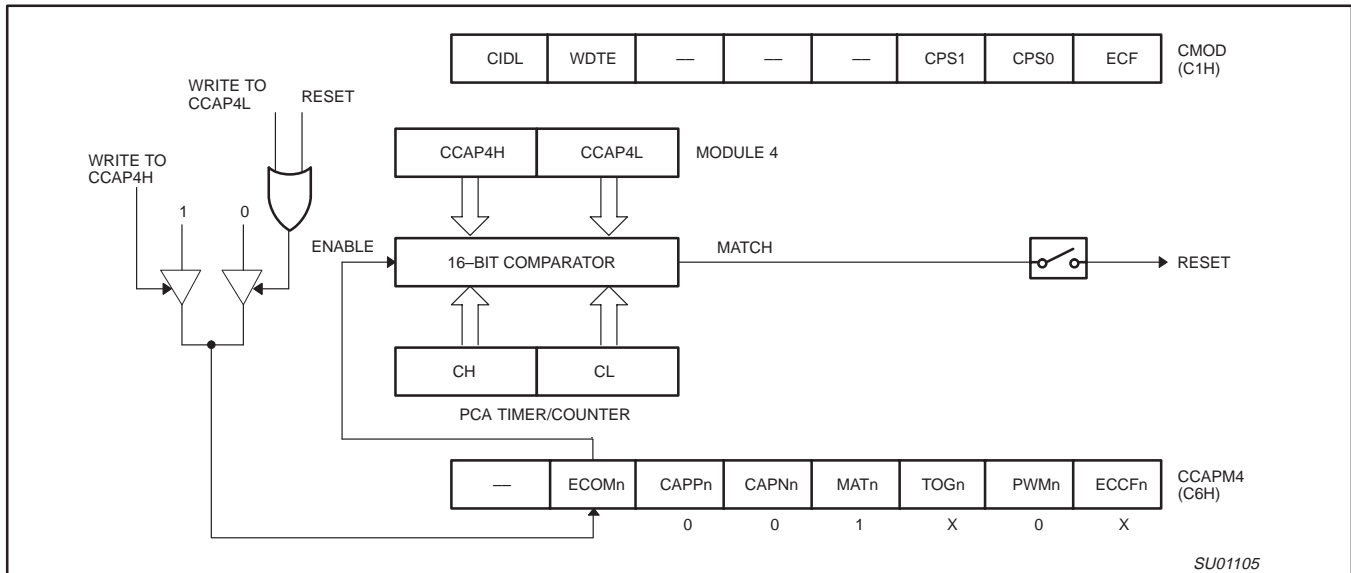


Figure 26. PCA Watchdog Timer m(Module 4 only)

**PCA Watchdog Timer**

An on-board watchdog timer is available with the PCA to improve the reliability of the system without increasing chip count. Watchdog timers are useful for systems that are susceptible to noise, power glitches, or electrostatic discharge. Module 4 is the only PCA module that can be programmed as a watchdog. However, this module can still be used for other modes if the watchdog is not needed.

Figure 26 shows a diagram of how the watchdog works. The user pre-loads a 16-bit value in the compare registers. Just like the other compare modes, this 16-bit value is compared to the PCA timer value. If a match is allowed to occur, an internal reset will be generated. This will not cause the RST pin to be driven high.

In order to hold off the reset, the user has three options:

1. periodically change the compare value so it will never match the PCA timer,
2. periodically change the PCA timer value so it will never match the compare values, or
3. disable the watchdog by clearing the WDTE bit before a match occurs and then re-enable it.

The first two options are more reliable because the watchdog timer is never disabled as in option #3. If the program counter ever goes astray, a match will eventually occur and cause an internal reset. The second option is also not recommended if other PCA modules are being used. Remember, the PCA timer is the time base for **all** modules; changing the time base for other modules would not be a good idea. Thus, in most applications the first solution is the best option.

Figure 27 shows the code for initializing the watchdog timer. Module 4 can be configured in either compare mode, and the WDTE bit in CMOD must also be set. The user's software then must periodically change (CCAP4H,CCAP4L) to keep a match from occurring with the PCA timer (CH,CL). This code is given in the WATCHDOG routine in Figure 27.

This routine should not be part of an interrupt service routine, because if the program counter goes astray and gets stuck in an infinite loop, interrupts will still be serviced and the watchdog will keep getting reset. Thus, the purpose of the watchdog would be defeated. Instead, call this subroutine from the main program within  $2^{16}$  count of the PCA timer.

# 80C51 8-bit Flash microcontroller family

16KB/32KB/64KB ISP/IAP Flash with 512B/1KB/2KB RAM

P89C660/P89C662/P89C664

```
INIT_WATCHDOG:
    MOV CCAPM4, #4CH           ; Module 4 in compare mode
    MOV CCAP4L, #0FFH         ; Write to low byte first
    MOV CCAP4H, #0FFH         ; Before PCA timer counts up to
                                ; FFFF Hex, these compare values
                                ; must be changed
    ORL CMOD, #40H           ; Set the WDTE bit to enable the
                                ; watchdog timer without changing
                                ; the other bits in CMOD
;
;*****
;
; Main program goes here, but CALL WATCHDOG periodically.
;
;*****
;
WATCHDOG:
    CLR EA                   ; Hold off interrupts
    MOV CCAP4L, #00          ; Next compare value is within
    MOV CCAP4H, CH           ; 255 counts of the current PCA
    SETB EA                  ; timer value
    RET
```

**Figure 27. PCA Watchdog Timer Initialization Code**

# 80C51 8-bit Flash microcontroller family

16KB/32KB/64KB ISP/IAP Flash with 512B/1KB/2KB RAM

## P89C660/P89C662/P89C664

### Expanded Data RAM Addressing

The P89C660/662/664 has internal data memory that is mapped into four separate segments: the lower 128 bytes of RAM, upper 128 bytes of RAM, 128 bytes Special Function Register (SFR), and 256 bytes expanded RAM (ERAM) (768 bytes for the '662; 1792 bytes for the '664).

The four segments are:

1. The Lower 128 bytes of RAM (addresses 00H to 7FH) are directly and indirectly addressable.
2. The Upper 128 bytes of RAM (addresses 80H to FFH) are indirectly addressable only.
3. The Special Function Registers, SFRs, (addresses 80H to FFH) are directly addressable only.
4. The 256/768/1792-bytes expanded RAM (ERAM, 00H – XFFH/2FFH/6FFH) are indirectly accessed by move external instruction, MOVX, and with the EXTRAM bit cleared, see Figure 28.

The Lower 128 bytes can be accessed by either direct or indirect addressing. The Upper 128 bytes can be accessed by indirect addressing only. The Upper 128 bytes occupy the same address space as the SFR. That means they have the same address, but are physically separate from SFR space.

When an instruction accesses an internal location above address 7FH, the CPU knows whether the access is to the upper 128 bytes of data RAM or to SFR space by the addressing mode used in the instruction. Instructions that use direct addressing access SFR space. For example:

```
MOV 0A0H,#data
```

accesses the SFR at location 0A0H (which is P2). Instructions that use indirect addressing access the Upper 128 bytes of data RAM.

For example:

```
MOV @R0,#data
```

where R0 contains 0A0H, accesses the data byte at address 0A0H, rather than P2 (whose address is 0A0H).

The ERAM can be accessed by indirect addressing, with EXTRAM bit cleared and MOVX instructions. This part of memory is physically located on-chip, logically occupies the first 7936-bytes of external data memory.

With EXTRAM = 0, the ERAM is indirectly addressed, using the MOVX instruction in combination with any of the registers R0, R1 of the selected bank or DPTR. An access to ERAM will not affect ports P0, P3.6 (WR#) and P3.7 (RD#). P2 SFR is output during external addressing. For example, with EXTRAM = 0,

```
MOVX @R0,#data
```

where R0 contains 0A0H, access the ERAM at address 0A0H rather than external memory. An access to external data memory locations higher than the ERAM will be performed with the MOVX DPTR instructions in the same way as in the standard 80C51, so with P0 and P2 as data/address bus, and P3.6 and P3.7 as write and read timing signals. Refer to Figure 29.

With EXTRAM = 1, MOVX @Ri and MOVX @DPTR will be similar to the standard 80C51. MOVX @ Ri will provide an 8-bit address multiplexed with data on Port 0 and any output port pins can be used to output higher order address bits. This is to provide the external paging capability. MOVX @DPTR will generate a 16-bit address. Port 2 outputs the high-order eight address bits (the contents of DPH) while Port 0 multiplexes the low-order eight address bits (DPL) with data. MOVX @Ri and MOVX @DPTR will generate either read or write signals on P3.6 (WR) and P3.7 (RD).

The stack pointer (SP) may be located anywhere in the 256 bytes RAM (lower and upper RAM) internal data memory. The stack may not be located in the ERAM.

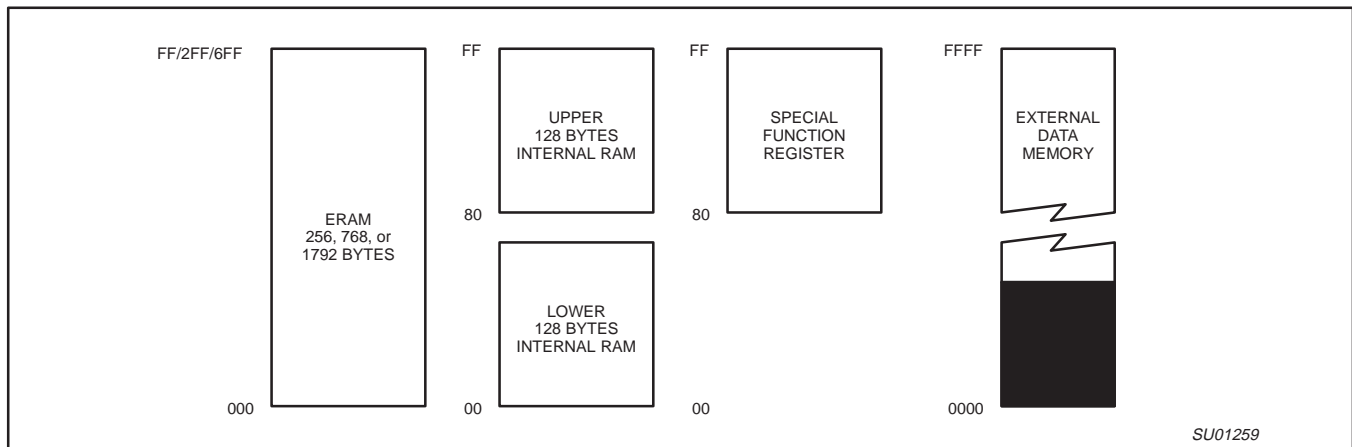
<b>AUXR</b>	Address = 8EH	Reset Value = xxxx xx10B																	
	Not Bit Addressable																		
	<table border="1" style="margin-left: auto; margin-right: auto;"> <tr> <td style="width: 20px; text-align: center;">—</td> <td style="width: 20px; text-align: center;">—</td> <td style="width: 20px; text-align: center;">—</td> <td style="width: 20px; text-align: center;">—</td> <td style="width: 20px; text-align: center;">—</td> <td style="width: 20px; text-align: center;">—</td> <td style="width: 20px; text-align: center;"><b>EXTRAM</b></td> <td style="width: 20px; text-align: center;"><b>AO</b></td> </tr> <tr> <td style="text-align: right;">Bit:</td> <td style="text-align: center;">7</td> <td style="text-align: center;">6</td> <td style="text-align: center;">5</td> <td style="text-align: center;">4</td> <td style="text-align: center;">3</td> <td style="text-align: center;">2</td> <td style="text-align: center;">1</td> <td style="text-align: center;">0</td> </tr> </table>	—	—	—	—	—	—	<b>EXTRAM</b>	<b>AO</b>	Bit:	7	6	5	4	3	2	1	0	
—	—	—	—	—	—	<b>EXTRAM</b>	<b>AO</b>												
Bit:	7	6	5	4	3	2	1	0											
<b>Symbol</b>	<b>Function</b>																		
<b>AO</b>	Disable/Enable ALE																		
0	<b>AO Operating Mode</b> ALE is emitted at a constant rate of 1/3 the oscillator frequency (6 clock mode; 1/6 f <sub>OSC</sub> in 12 clock mode).																		
1	ALE is active only during a MOVX or MOVC instruction.																		
<b>EXTRAM</b>	Internal/External RAM access using MOVX @Ri/@DPTR																		
	<b>EXTRAM Operating Mode</b>																		
0	Internal ERAM access using MOVX @Ri/@DPTR																		
1	External data memory access.																		
—	Not implemented, reserved for future use*.																		
<b>NOTE:</b> *User software should not write 1s to reserved bits. These bits may be used in future 8051 family products to invoke new features. In that case, the reset or inactive value of the new bit will be 0, and its active value will be 1. The value read from a reserved bit is indeterminate.																			

SU01417

Figure 28. AUXR: Auxiliary Register

**80C51 8-bit Flash microcontroller family**  
 16KB/32KB/64KB ISP/IAP Flash with 512B/1KB/2KB RAM

**P89C660/P89C662/P89C664**



**Figure 29. Internal and External Data Memory Address Space with EXTRAM = 0**

**HARDWARE WATCHDOG TIMER (ONE-TIME ENABLED WITH RESET-OUT FOR P89C660/662/664)**

The WDT is intended as a recovery method in situations where the CPU may be subjected to software upset. The WDT consists of a 14-bit counter and the WatchDog Timer reset (WDTRST) SFR. The WDT is disabled at reset. To enable the WDT, user must write 01EH and 0E1H in sequence to the WDTRST, SFR location 0A6H. When WDT is enabled, it will increment every machine cycle while the oscillator is running and there is no way to disable the WDT except through reset (either hardware reset or WDT overflow reset). When WDT overflows, it will drive an output reset HIGH pulse at the RST-pin (see the note below).

**Using the WDT**

To enable the WDT, user must write 01EH and 0E1H in sequence to the WDTRST, SFR location 0A6H. When WDT is enabled, the user needs to service it by writing to 01EH and 0E1H to WDTRST to avoid WDT overflow. The 14-bit counter overflows when it reaches 16383 (3FFFH) and this will reset the device. When WDT is enabled, it will increment every machine cycle while the oscillator is running. This means the user must reset the WDT at least every 16383 machine cycles. To reset the WDT, the user must write 01EH and 0E1H to WDTRST. WDTRST is a write only register. The WDT counter cannot be read or written. When WDT overflows, it will generate an output RESET pulse at the reset pin (see note below). The RESET pulse duration is  $98 \times T_{OSC}$  (6 clock mode; 196 in 12 clock mode), where  $T_{OSC} = 1/f_{OSC}$ . To make the best use of the WDT, it should be serviced in those sections of code that will periodically be executed within the time required to prevent a WDT reset.

**80C51 8-bit Flash microcontroller family**  
 16KB/32KB/64KB ISP/IAP Flash with 512B/1KB/2KB RAM

**P89C660/P89C662/P89C664**

**ABSOLUTE MAXIMUM RATINGS**<sup>1, 2, 3</sup>

PARAMETER	RATING	UNIT
Operating temperature under bias	0 to +70 or –40 to +85	°C
Storage temperature range	–65 to +150	°C
Voltage on $\bar{E}A/V_{PP}$ pin to $V_{SS}$	0 to +13.0	V
Voltage on any other pin to $V_{SS}$	–0.5 to +6.5	V
Maximum $I_{OL}$ per I/O pin	15	mA
Power dissipation (based on package heat transfer limitations, not device power consumption)	1.5	W

**NOTES:**

1. Stresses above those listed under Absolute Maximum Ratings may cause permanent damage to the device. This is a stress rating only and functional operation of the device at these or any conditions other than those described in the AC and DC Electrical Characteristics section of this specification is not implied.
2. This product includes circuitry specifically designed for the protection of its internal devices from the damaging effects of excessive static charge. Nonetheless, it is suggested that conventional precautions be taken to avoid applying greater than the rated maximum.
3. Parameters are valid over operating temperature range unless otherwise specified. All voltages are with respect to  $V_{SS}$  unless otherwise noted.



# 80C51 8-bit Flash microcontroller family

## 16KB/32KB/64KB ISP/IAP Flash with 512B/1KB/2KB RAM

P89C660/P89C662/P89C664

### DC ELECTRICAL CHARACTERISTICS

 $T_{amb} = 0\text{ }^{\circ}\text{C to }+70\text{ }^{\circ}\text{C, } 5\text{ V} \pm 10\% \text{ or } -40\text{ }^{\circ}\text{C to }+85\text{ }^{\circ}\text{C; } 5\text{ V} \pm 5\%; V_{SS} = 0\text{ V}$ 

SYMBOL	PARAMETER	TEST CONDITIONS	LIMITS			UNIT
			MIN	TYP <sup>1</sup>	MAX	
V <sub>IL</sub>	Input low voltage	4.5 V < V <sub>CC</sub> < 5.5 V	-0.5		0.2 V <sub>CC</sub> -0.1	V
V <sub>IL2</sub>	Input low voltage to P1.6/SCL, P1.7/SDA <sup>11</sup>		-0.5		0.3V <sub>DD</sub>	V
V <sub>IH</sub>	Input high voltage (ports 0, 1, 2, 3, E <sub>A</sub> )		0.2V <sub>CC</sub> +0.9		V <sub>CC</sub> +0.5	V
V <sub>IH1</sub>	Input high voltage, XTAL1, RST		0.7V <sub>CC</sub>		V <sub>CC</sub> +0.5	V
V <sub>IH2</sub>	Input high voltage, P1.6/SCL, P1.7/SDA <sup>11</sup>		0.7V <sub>DD</sub>		6.0	V
V <sub>OL</sub>	Output low voltage, ports 1, 2, 3 <sup>8</sup>	V <sub>CC</sub> = 4.5 V I <sub>OL</sub> = 1.6 mA <sup>2</sup>			0.4	V
V <sub>OL1</sub>	Output low voltage, port 0, ALE, PSEN <sup>7, 8</sup>	V <sub>CC</sub> = 4.5 V I <sub>OL</sub> = 3.2 mA <sup>2</sup>			0.45	V
V <sub>OL2</sub>	Output low voltage, P1.6/SCL, P1.7/SDA	I <sub>OL</sub> = 3.0 mA			0.4	V
V <sub>OH</sub>	Output high voltage, ports 1, 2, 3 <sup>3</sup>	V <sub>CC</sub> = 4.5 V I <sub>OH</sub> = -30 μA	V <sub>CC</sub> - 0.7			V
V <sub>OH1</sub>	Output high voltage (port 0 in external bus mode), ALE <sup>9</sup> , PSEN <sup>3</sup>	V <sub>CC</sub> = 4.5 V I <sub>OH</sub> = -3.2 mA	V <sub>CC</sub> - 0.7			V
I <sub>IL</sub>	Logical 0 input current, ports 1, 2, 3	V <sub>IN</sub> = 0.4 V	-1		-75	μA
I <sub>TL</sub>	Logical 1-to-0 transition current, ports 1, 2, 3 <sup>6</sup>	V <sub>IN</sub> = 2.0 V See Note 4			-650	μA
I <sub>LI</sub>	Input leakage current, port 0	0.45 < V <sub>IN</sub> < V <sub>CC</sub> - 0.3			±10	μA
I <sub>LI2</sub>	Input leakage current, P1.6/SCL, P1.7/SDA	0V < V <sub>I</sub> < 6 V 0V < V <sub>DD</sub> < 5.5 V			10	μA
I <sub>CC</sub>	Power supply current (see Figure 37): Active mode (see Note 5) Idle mode (see Note 5) Power-down mode or clock stopped (see Figure 44 for conditions) Programming and erase mode	See Note 5  T <sub>amb</sub> = 0 °C to 70 °C T <sub>amb</sub> = -40 °C to +85 °C f <sub>osc</sub> = 20 MHz		20  60	100 125	μA μA mA
R <sub>RST</sub>	Internal reset pull-down resistor		40		225	kΩ
C <sub>IO</sub>	Pin capacitance <sup>10</sup> (except E <sub>A</sub> )				15	pF

#### NOTES:

- Typical ratings are not guaranteed. The values listed are at room temperature, 5 V.
- Capacitive loading on ports 0 and 2 may cause spurious noise to be superimposed on the V<sub>OL</sub>s of ALE and ports 1 and 3. The noise is due to external bus capacitance discharging into the port 0 and port 2 pins when these pins make 1-to-0 transitions during bus operations. In the worst cases (capacitive loading > 100 pF), the noise pulse on the ALE pin may exceed 0.8 V. In such cases, it may be desirable to qualify ALE with a Schmitt Trigger, or use an address latch with a Schmitt Trigger STROBE input. I<sub>OL</sub> can exceed these conditions provided that no single output sinks more than 5mA and no more than two outputs exceed the test conditions.
- Capacitive loading on ports 0 and 2 may cause the V<sub>OH</sub> on ALE and PSEN to momentarily fall below the V<sub>CC</sub>-0.7 specification when the address bits are stabilizing.
- Pins of ports 1, 2 and 3 source a transition current when they are being externally driven from 1 to 0. The transition current reaches its maximum value when V<sub>IN</sub> is approximately 2 V.
- See Figures 41 through 44 for I<sub>CC</sub> test conditions and Figure 37 for I<sub>CC</sub> vs Freq.  
Active mode: I<sub>CC(MAX)</sub> = (2.8 × FREQ. + 8.0)mA for all devices, in 6 clock mode; (1.4 × FREQ. + 8.0)mA in 12 clock mode.  
Idle mode: I<sub>CC(MAX)</sub> = (1.2 × FREQ. + 1.0)mA in 6 clock mode; (0.6 × FREQ. + 1.0)mA in 12 clock mode.
- This value applies to T<sub>amb</sub> = 0 °C to +70 °C.
- Load capacitance for port 0, ALE, and PSEN = 100 pF, load capacitance for all other outputs = 80 pF.
- Under steady state (non-transient) conditions, I<sub>OL</sub> must be externally limited as follows:  
Maximum I<sub>OL</sub> per port pin: 15 mA (\*NOTE: This is 85 °C specification.)  
Maximum I<sub>OL</sub> per 8-bit port: 26 mA  
Maximum total I<sub>OL</sub> for all outputs: 71 mA  
If I<sub>OL</sub> exceeds the test condition, V<sub>OL</sub> may exceed the related specification. Pins are not guaranteed to sink current greater than the listed test conditions.
- ALE is tested to V<sub>OH1</sub>, except when ALE is off then V<sub>OH</sub> is the voltage specification.
- Pin capacitance is characterized but not tested. Pin capacitance is less than 25 pF. Pin capacitance of ceramic package is less than 15 pF (except E<sub>A</sub> is 25 pF).
- The input threshold voltage of P1.6 and P1.7 (SIO1) meets the I<sup>2</sup>C specification, so an input voltage below 1.5 V will be recognized as a logic 0 while an input voltage above 3.0 V will be recognized as a logic 1.

# 80C51 8-bit Flash microcontroller family

## 16KB/32KB/64KB ISP/IAP Flash with 512B/1KB/2KB RAM

P89C660/P89C662/P89C664

### AC ELECTRICAL CHARACTERISTICS (6 CLOCK MODE)

 $T_{amb} = 0\text{ }^{\circ}\text{C to }+70\text{ }^{\circ}\text{C}$ ,  $V_{CC} = 5\text{ V} \pm 10\%$  or  $-40\text{ }^{\circ}\text{C to }+85\text{ }^{\circ}\text{C}$ ,  $V_{CC} = 5\text{ V} \pm 5\%$ ,  $V_{SS} = 0\text{ V}^{1, 2, 3}$ 

SYMBOL	FIGURE	PARAMETER	VARIABLE CLOCK <sup>4</sup>		20 MHz CLOCK <sup>4</sup>		UNIT
			MIN	MAX	MIN	MAX	
$1/t_{CLCL}$	30	Oscillator frequency	0	20	0	20	MHz
$t_{LHLL}$	30	ALE pulse width	$t_{CLCL}-40$		10		ns
$t_{AVLL}$	30	Address valid to ALE low	$0.5t_{CLCL}-20$		5		ns
$t_{LLAX}$	30	Address hold after ALE low	$0.5t_{CLCL}-20$		5		ns
$t_{LLIV}$	30	ALE low to valid instruction in		$2t_{CLCL}-65$		35	ns
$t_{LLPL}$	30	ALE low to PSEN low	$0.5t_{CLCL}-20$		5		ns
$t_{PLPH}$	30	PSEN pulse width	$1.5t_{CLCL}-45$		30		ns
$t_{PLIV}$	30	PSEN low to valid instruction in		$1.5t_{CLCL}-60$		15	ns
$t_{PXIX}$	30	Input instruction hold after PSEN	0		0		ns
$t_{PXIZ}$	30	Input instruction float after PSEN		$0.5t_{CLCL}-20$		5	ns
$t_{AVIV}$	30	Address to valid instruction in		$2.5t_{CLCL}-80$		45	ns
$t_{PLAZ}$	30	PSEN low to address float		10		10	ns
<b>Data Memory</b>							
$t_{RLRH}$	31, 32	$\overline{RD}$ pulse width	$3t_{CLCL}-100$		50		ns
$t_{WLWH}$	31, 32	$\overline{WR}$ pulse width	$3t_{CLCL}-100$		50		ns
$t_{RLDV}$	31, 32	$\overline{RD}$ low to valid data in		$2.5t_{CLCL}-90$		35	ns
$t_{RHDX}$	31, 32	Data hold after $\overline{RD}$	0		0		ns
$t_{RHDZ}$	31, 32	Data float after $\overline{RD}$		$t_{CLCL}-20$		5	ns
$t_{LLDV}$	31, 32	ALE low to valid data in		$4t_{CLCL}-150$		50	ns
$t_{AVDV}$	31, 32	Address to valid data in		$4.5t_{CLCL}-165$		60	ns
$t_{LLWL}$	31, 32	ALE low to $\overline{RD}$ or $\overline{WR}$ low	$1.5t_{CLCL}-50$	$1.5t_{CLCL}+50$	25	125	ns
$t_{AVWL}$	31, 32	Address valid to $\overline{WR}$ low or $\overline{RD}$ low	$2t_{CLCL}-75$		25		ns
$t_{QVWX}$	31, 32	Data valid to $\overline{WR}$ transition	$0.5t_{CLCL}-25$		0		ns
$t_{WHQX}$	31, 32	Data hold after $\overline{WR}$	$0.5t_{CLCL}-20$		5		ns
$t_{QVWH}$	32	Data valid to $\overline{WR}$ high	$3.5t_{CLCL}-130$		45		ns
$t_{RLAZ}$	31, 32	$\overline{RD}$ low to address float		0		0	ns
$t_{WHLH}$	31, 32	$\overline{RD}$ or $\overline{WR}$ high to ALE high	$0.5t_{CLCL}-20$	$0.5t_{CLCL}+20$	5	45	ns
<b>External Clock</b>							
$t_{CHCX}$	34	High time	20	$t_{CLCL}-t_{CLCX}$			ns
$t_{CLCX}$	34	Low time	20	$t_{CLCL}-t_{CHCX}$			ns
$t_{CLCH}$	34	Rise time		5			ns
$t_{CHCL}$	34	Fall time		5			ns
<b>Shift Register</b>							
$t_{XLXL}$	33	Serial port clock cycle time	$6t_{CLCL}$		300		ns
$t_{QVXH}$	33	Output data setup to clock rising edge	$5t_{CLCL}-133$		117		ns
$t_{XHQX}$	33	Output data hold after clock rising edge	$t_{CLCL}-30$		20		ns
$t_{XHDX}$	33	Input data hold after clock rising edge	0		0		ns
$t_{XHDV}$	33	Clock rising edge to input data valid		$5t_{CLCL}-133$		117	ns

#### NOTES:

- Parameters are valid over operating temperature range unless otherwise specified.
- Load capacitance for port 0, ALE, and PSEN = 100 pF, load capacitance for all other outputs = 80 pF.
- Interfacing the microcontroller to devices with float times up to 45ns is permitted. This limited bus contention will not cause damage to Port 0 drivers.
- Parts are tested to 2 MHz, but are guaranteed to operate down to 0 Hz.

# 80C51 8-bit Flash microcontroller family

16KB/32KB/64KB ISP/IAP Flash with 512B/1KB/2KB RAM

## P89C660/P89C662/P89C664

### AC ELECTRICAL CHARACTERISTICS (6 CLOCK MODE) (Continued)

$T_{amb} = 0\text{ }^{\circ}\text{C}$  to  $+70\text{ }^{\circ}\text{C}$ ,  $V_{CC} = 5\text{ V} \pm 10\%$  or  $-40\text{ }^{\circ}\text{C}$  to  $+85\text{ }^{\circ}\text{C}$ ,  $V_{CC} = 5\text{ V} \pm 5\%$ ,  $V_{SS} = 0\text{ V}$ <sup>1,2</sup>

SYMBOL	PARAMETER	INPUT	OUTPUT
<b>I<sup>2</sup>C Interface</b>			
t <sub>HD;STA</sub>	START condition hold time	≥ 7 t <sub>CLCL</sub>	> 4.0 μs <sup>4</sup>
t <sub>LOW</sub>	SCL low time	≥ 8 t <sub>CLCL</sub>	> 4.7 μs <sup>4,6</sup>
t <sub>HIGH</sub>	SCL high time	≥ 7 t <sub>CLCL</sub>	> 4.0 μs <sup>4</sup>
t <sub>RC</sub>	SCL rise time	≤ 1 μs	– <sup>5</sup>
t <sub>FC</sub>	SCL fall time	≤ 0.3 μs	< 0.3 μs <sup>6</sup>
t <sub>SU;DAT1</sub>	Data set-up time	≥ 250 ns	> 10 t <sub>CLCL</sub> – t <sub>RD</sub>
t <sub>SU;DAT2</sub>	SDA set-up time (before rep. START cond.)	≥ 250 ns	> 1 μs <sup>4</sup>
t <sub>SU;DAT3</sub>	SDA set-up time (before STOP cond.)	≥ 250 ns	> 4 t <sub>CLCL</sub>
t <sub>HD;DAT</sub>	Data hold time	≥ 0 ns	> 4 t <sub>CLCL</sub> – t <sub>FC</sub>
t <sub>SU;STA</sub>	Repeated START set-up time	≥ 7 t <sub>CLCL</sub> <sup>4</sup>	> 4.7 μs <sup>4</sup>
t <sub>SU;STO</sub>	STOP condition set-up time	≥ 7 t <sub>CLCL</sub> <sup>4</sup>	> 4.0 μs <sup>4</sup>
t <sub>BUF</sub>	Bus free time	≥ 7 t <sub>CLCL</sub> <sup>4</sup>	> 4.7 μs <sup>4</sup>
t <sub>RD</sub>	SDA rise time	≤ 1 μs <sup>7</sup>	– <sup>5</sup>
t <sub>FD</sub>	SDA fall time	≤ 300 ns <sup>7</sup>	< 0.3 μs <sup>6</sup>

#### NOTES:

- Parameters are valid over operating temperature range and voltage range unless otherwise specified.
- Load capacitance for port 0, ALE, and PSEN = 100 pF, load capacitance for all other outputs = 80 pF.
- These values are characterized but not 100% production tested.
- At 100 kbit/s. At other bit rates this value is inversely proportional to the bit-rate of 100 kbit/s.
- Determined by the external bus-line capacitance and the external bus-line pull-resistor, this must be < 1 μs.
- Spikes on the SDA and SCL lines with a duration of less than 3 t<sub>CLCL</sub> will be filtered out. Maximum capacitance on bus-lines SDA and SCL = 400 pF.
- t<sub>CLCL</sub> = 1/f<sub>OSC</sub> = one oscillator clock period at pin XTAL1.

# 80C51 8-bit Flash microcontroller family

## 16KB/32KB/64KB ISP/IAP Flash with 512B/1KB/2KB RAM

P89C660/P89C662/P89C664

### AC ELECTRICAL CHARACTERISTICS (12 CLOCK MODE)

 $T_{amb} = 0\text{ }^{\circ}\text{C to }+70\text{ }^{\circ}\text{C}$ ,  $V_{CC} = 5\text{ V} \pm 10\%$ , or  $-40\text{ }^{\circ}\text{C to }+85\text{ }^{\circ}\text{C}$ ,  $V_{CC} = 5\text{ V} \pm 5\%$ ,  $V_{SS} = 0\text{V}^{1, 2, 3}$ 

SYMBOL	FIGURE	PARAMETER	VARIABLE CLOCK <sup>4</sup>		33 MHz CLOCK <sup>4</sup>		UNIT
			MIN	MAX	MIN	MAX	
$1/t_{CLCL}$	30	Oscillator frequency	0	33	0	33	MHz
$t_{LHLL}$	30	ALE pulse width	$2t_{CLCL}-40$		21		ns
$t_{AVLL}$	30	Address valid to ALE low	$t_{CLCL}-25$		5		ns
$t_{LLAX}$	30	Address hold after ALE low	$t_{CLCL}-25$		5		ns
$t_{LLIV}$	30	ALE low to valid instruction in		$4t_{CLCL}-65$		55	ns
$t_{LLPL}$	30	ALE low to PSEN low	$t_{CLCL}-25$		5		ns
$t_{PLPH}$	30	PSEN pulse width	$3t_{CLCL}-45$		45		ns
$t_{PLIV}$	30	PSEN low to valid instruction in		$3t_{CLCL}-60$		30	ns
$t_{PXIX}$	30	Input instruction hold after PSEN	0		0		ns
$t_{PXIZ}$	30	Input instruction float after PSEN		$t_{CLCL}-25$		5	ns
$t_{AVIV}$	30	Address to valid instruction in		$5t_{CLCL}-80$		70	ns
$t_{PLAZ}$	30	PSEN low to address float		10		10	ns
<b>Data Memory</b>							
$t_{RLRH}$	31, 32	$\overline{RD}$ pulse width	$6t_{CLCL}-100$		82		ns
$t_{WLWH}$	31, 32	$\overline{WR}$ pulse width	$6t_{CLCL}-100$		82		ns
$t_{RLDV}$	31, 32	$\overline{RD}$ low to valid data in		$5t_{CLCL}-90$		60	ns
$t_{RHDX}$	31, 32	Data hold after $\overline{RD}$	0		0		ns
$t_{RHDZ}$	31, 32	Data float after $\overline{RD}$		$2t_{CLCL}-28$		32	ns
$t_{LLDV}$	31, 32	ALE low to valid data in		$8t_{CLCL}-150$		90	ns
$t_{AVDV}$	31, 32	Address to valid data in		$9t_{CLCL}-165$		105	ns
$t_{LLWL}$	31, 32	ALE low to $\overline{RD}$ or $\overline{WR}$ low	$3t_{CLCL}-50$	$3t_{CLCL}+50$	40	140	ns
$t_{AVWL}$	31, 32	Address valid to $\overline{WR}$ low or $\overline{RD}$ low	$4t_{CLCL}-75$		45		ns
$t_{QVWX}$	31, 32	Data valid to $\overline{WR}$ transition	$t_{CLCL}-30$		0		ns
$t_{WHQX}$	31, 32	Data hold after $\overline{WR}$	$t_{CLCL}-25$		5		ns
$t_{QVWH}$	32	Data valid to $\overline{WR}$ high	$7t_{CLCL}-130$		80		ns
$t_{RLAZ}$	31, 32	$\overline{RD}$ low to address float		0		0	ns
$t_{WHLH}$	31, 32	$\overline{RD}$ or $\overline{WR}$ high to ALE high	$t_{CLCL}-25$	$t_{CLCL}+25$	5	55	ns
<b>External Clock</b>							
$t_{CHCX}$	34	High time	17	$t_{CLCL}-t_{CLCX}$			ns
$t_{CLCX}$	34	Low time	17	$t_{CLCL}-t_{CHCX}$			ns
$t_{CLCH}$	34	Rise time		5			ns
$t_{CHCL}$	34	Fall time		5			ns
<b>Shift Register</b>							
$t_{XLXL}$	33	Serial port clock cycle time	$12t_{CLCL}$		360		ns
$t_{QVXH}$	33	Output data setup to clock rising edge	$10t_{CLCL}-133$		167		ns
$t_{XHQX}$	33	Output data hold after clock rising edge	$2t_{CLCL}-80$		50		ns
$t_{XHDX}$	33	Input data hold after clock rising edge	0		0		ns
$t_{XHDV}$	33	Clock rising edge to input data valid		$10t_{CLCL}-133$		167	ns

#### NOTES:

- Parameters are valid over operating temperature range unless otherwise specified.
- Load capacitance for port 0, ALE, and PSEN = 100 pF, load capacitance for all other outputs = 80 pF.
- Interfacing the microcontroller to devices with float times up to 45 ns is permitted. This limited bus contention will not cause damage to Port 0 drivers.
- Parts are tested to 3.5 MHz, but guaranteed to operate down to 0 Hz.

**80C51 8-bit Flash microcontroller family**  
16KB/32KB/64KB ISP/IAP Flash with 512B/1KB/2KB RAM

**P89C660/P89C662/P89C664**

**AC ELECTRICAL CHARACTERISTICS (12 CLOCK MODE) (Continued)**

$T_{amb} = 0^{\circ}\text{C}$  to  $+70^{\circ}\text{C}$ ,  $V_{CC} = 5\text{ V} \pm 10\%$ , or  $-40^{\circ}\text{C}$  to  $+85^{\circ}\text{C}$ ,  $V_{CC} = 5\text{ V} \pm 5\%$ ,  $V_{SS} = 0\text{ V}^{1, 2}$

SYMBOL	PARAMETER	INPUT	OUTPUT
<b>I<sup>2</sup>C Interface</b>			
$t_{HD;STA}$	START condition hold time	$\geq 14 t_{CLCL}$	$> 4.0\ \mu\text{s}^4$
$t_{LOW}$	SCL low time	$\geq 16 t_{CLCL}$	$> 4.7\ \mu\text{s}^4$
$t_{HIGH}$	SCL high time	$\geq 14 t_{CLCL}$	$> 4.0\ \mu\text{s}^4$
$t_{RC}$	SCL rise time	$\leq 1\ \mu\text{s}$	$-^5$
$t_{FC}$	SCL fall time	$\leq 0.3\ \mu\text{s}$	$< 0.3\ \mu\text{s}^6$
$t_{SU;DAT1}$	Data set-up time	$\geq 250\ \text{ns}$	$> 20 t_{CLCL} - t_{RD}$
$t_{SU;DAT2}$	SDA set-up time (before rep. START cond.)	$\geq 250\ \text{ns}$	$> 1\ \mu\text{s}^4$
$t_{SU;DAT3}$	SDA set-up time (before STOP cond.)	$\geq 250\ \text{ns}$	$> 8 t_{CLCL}$
$t_{HD;DAT}$	Data hold time	$\geq 0\ \text{ns}$	$> 8 t_{CLCL} - t_{FC}$
$t_{SU;STA}$	Repeated START set-up time	$\geq 14 t_{CLCL}^4$	$> 4.7\ \mu\text{s}^4$
$t_{SU;STO}$	STOP condition set-up time	$\geq 14 t_{CLCL}^4$	$> 4.0\ \mu\text{s}^4$
$t_{BUF}$	Bus free time	$\geq 14 t_{CLCL}^4$	$> 4.7\ \mu\text{s}^4$
$t_{RD}$	SDA rise time	$\leq 1\ \mu\text{s}^7$	$-^5$
$t_{FD}$	SDA fall time	$\leq 300\ \text{ns}^7$	$< 0.3\ \mu\text{s}^6$

**NOTES:**

- Parameters are valid over operating temperature range and voltage range unless otherwise specified.
- Load capacitance for port 0, ALE, and PSEN = 100 pF, load capacitance for all other outputs = 80 pF.
- These values are characterized but not 100% production tested.
- At 100 kbit/s. At other bit rates this value is inversely proportional to the bit-rate of 100 kbit/s.
- Determined by the external bus-line capacitance and the external bus-line pull-resistor, this must be  $< 1\ \mu\text{s}$ .
- Spikes on the SDA and SCL lines with a duration of less than  $3 t_{CLCL}$  will be filtered out. Maximum capacitance on bus-lines SDA and SCL = 400 pF.
- $t_{CLCL} = 1/f_{OSC}$  = one oscillator clock period at pin XTAL1. For  $63\ \text{ns} < t_{CLCL} < 285\ \text{ns}$  ( $16\ \text{MHz} > f_{OSC} > 3.5\ \text{MHz}$ ) the I<sup>2</sup>C interface meets the I<sup>2</sup>C-bus specification for bit-rates up to 100 kbit/s.

**80C51 8-bit Flash microcontroller family**  
 16KB/32KB/64KB ISP/IAP Flash with 512B/1KB/2KB RAM

**P89C660/P89C662/P89C664**

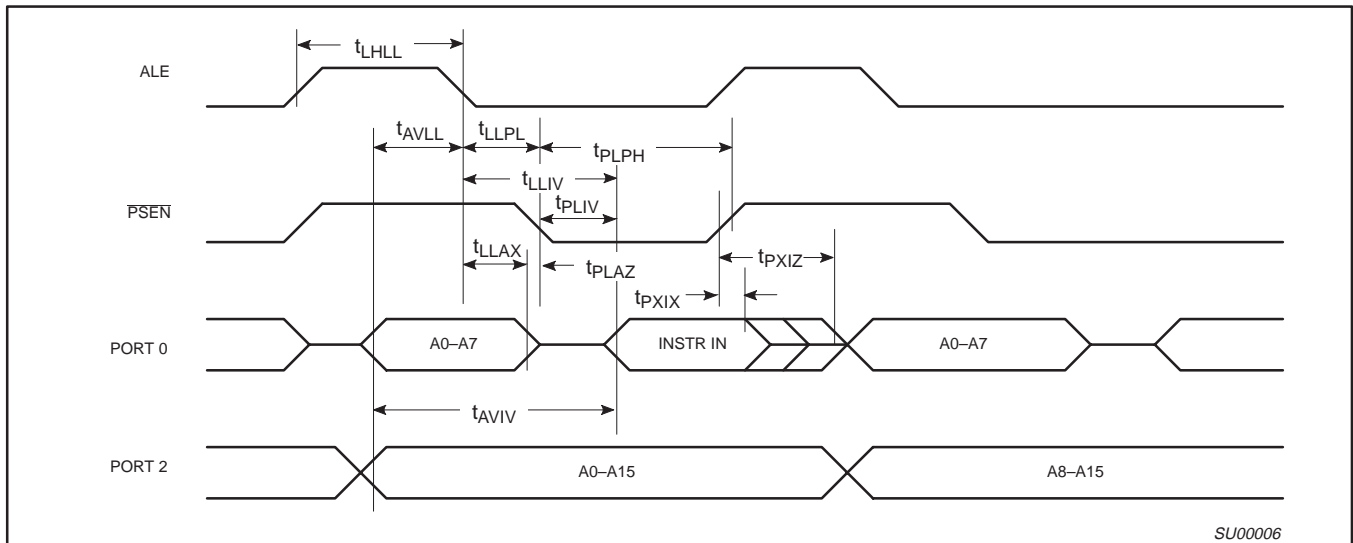
**EXPLANATION OF THE AC SYMBOLS**

Each timing symbol has five characters. The first character is always 't' (= time). The other characters, depending on their positions, indicate the name of a signal or the logical status of that signal. The designations are:

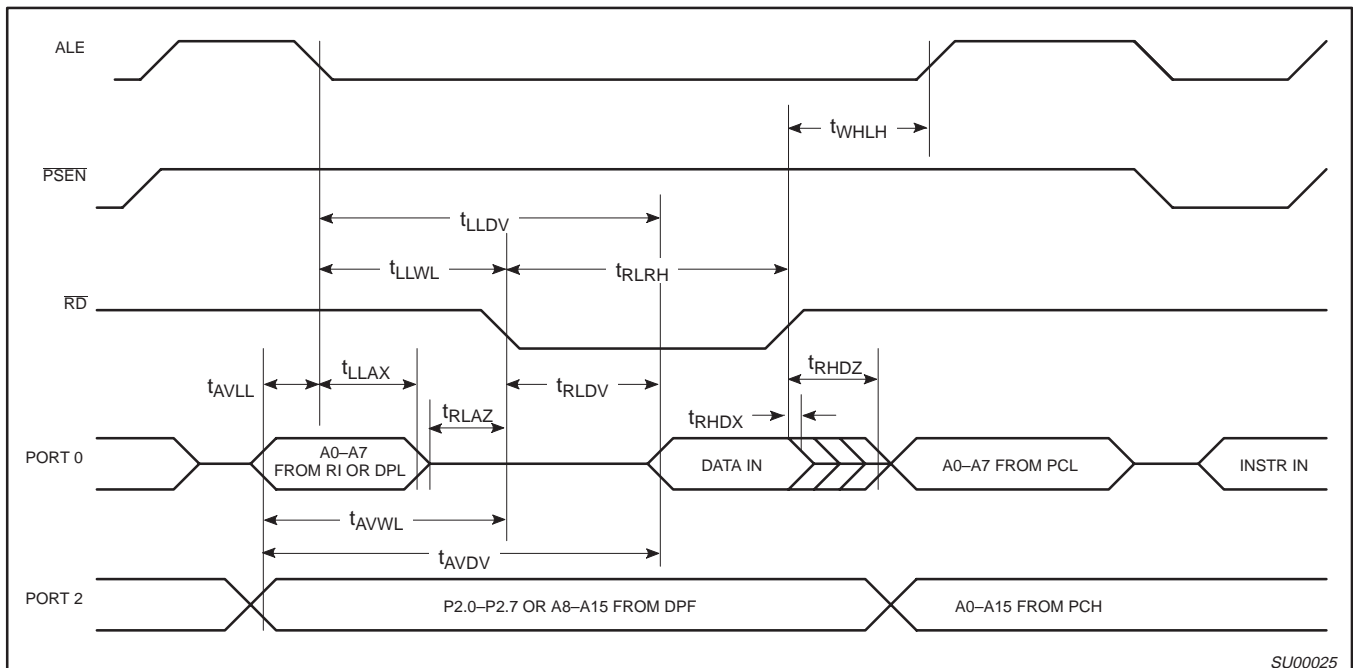
- A – Address
- C – Clock
- D – Input data
- H – Logic level high
- I – Instruction (program memory contents)
- L – Logic level low, or ALE

- P –  $\overline{\text{PSEN}}$
- Q – Output data
- R –  $\overline{\text{RD}}$  signal
- t – Time
- V – Valid
- W –  $\overline{\text{WR}}$  signal
- X – No longer a valid logic level
- Z – Float

**Examples:**  $t_{\text{AVLL}}$  = Time for address valid to ALE low.  
 $t_{\text{LLPL}}$  = Time for ALE low to  $\overline{\text{PSEN}}$  low.



**Figure 30. External Program Memory Read Cycle**



**Figure 31. External Data Memory Read Cycle**

80C51 8-bit Flash microcontroller family  
 16KB/32KB/64KB ISP/IAP Flash with 512B/1KB/2KB RAM

P89C660/P89C662/P89C664

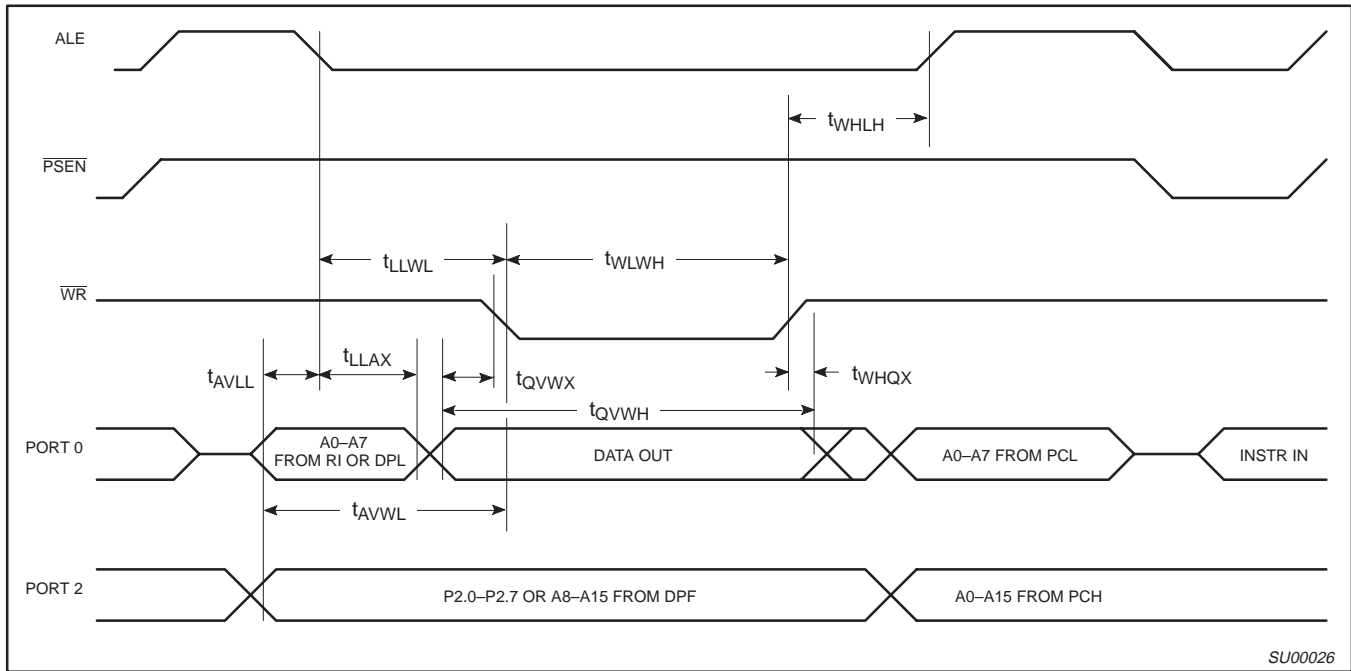


Figure 32. External Data Memory Write Cycle

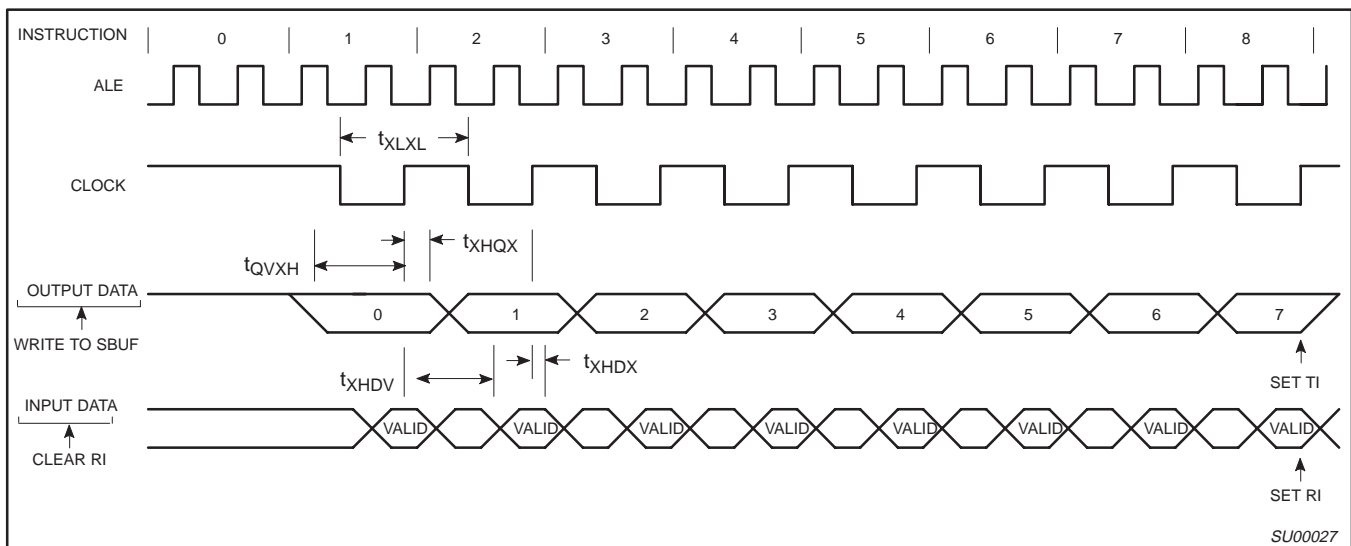


Figure 33. Shift Register Mode Timing

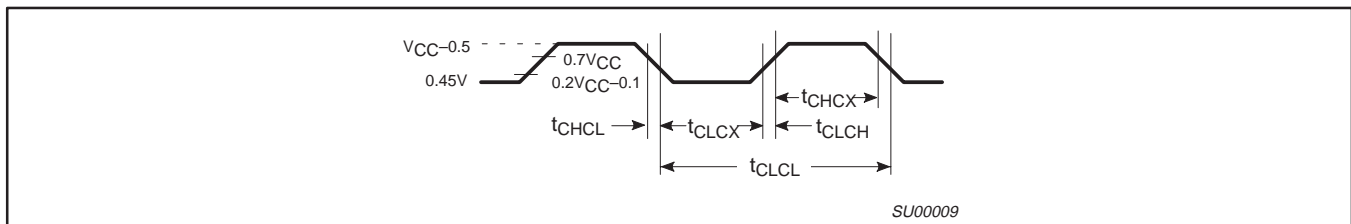


Figure 34. External Clock Drive

80C51 8-bit Flash microcontroller family  
 16KB/32KB/64KB ISP/IAP Flash with 512B/1KB/2KB RAM

P89C660/P89C662/P89C664

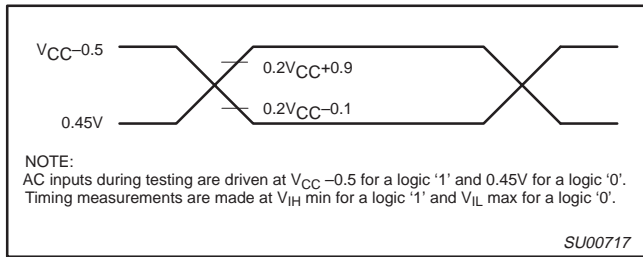


Figure 35. AC Testing Input/Output

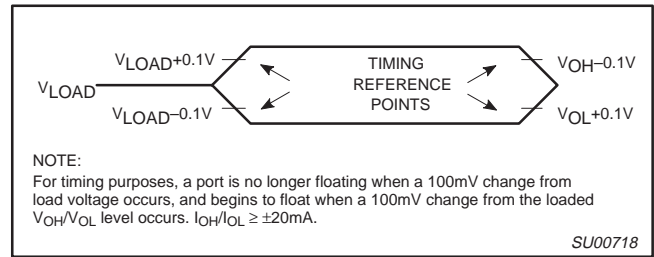


Figure 36. Float Waveform

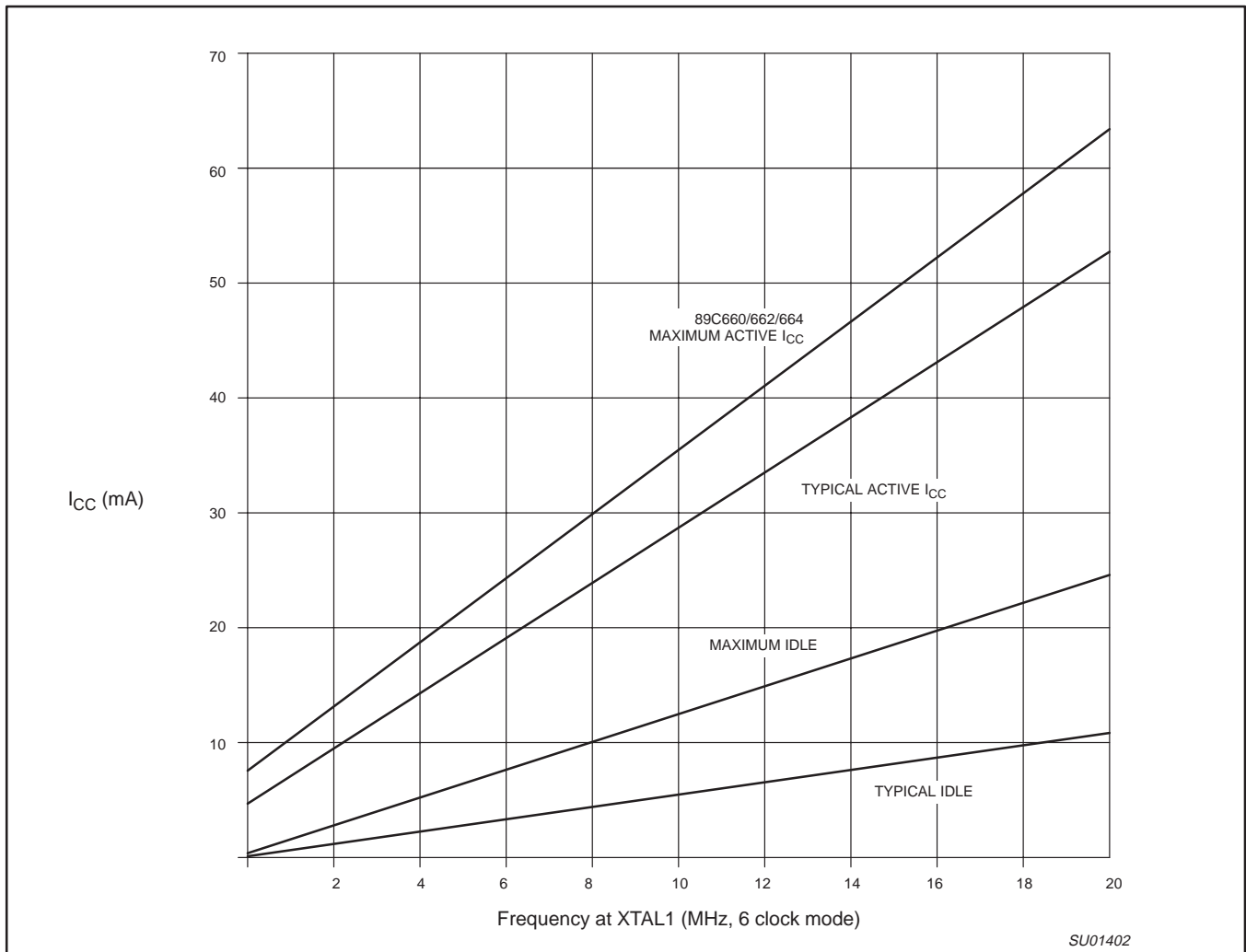


Figure 37.  $I_{CC}$  vs. FREQ  
 Valid only within frequency specifications of the device under test



80C51 8-bit Flash microcontroller family  
 16KB/32KB/64KB ISP/IAP Flash with 512B/1KB/2KB RAM

P89C660/P89C662/P89C664

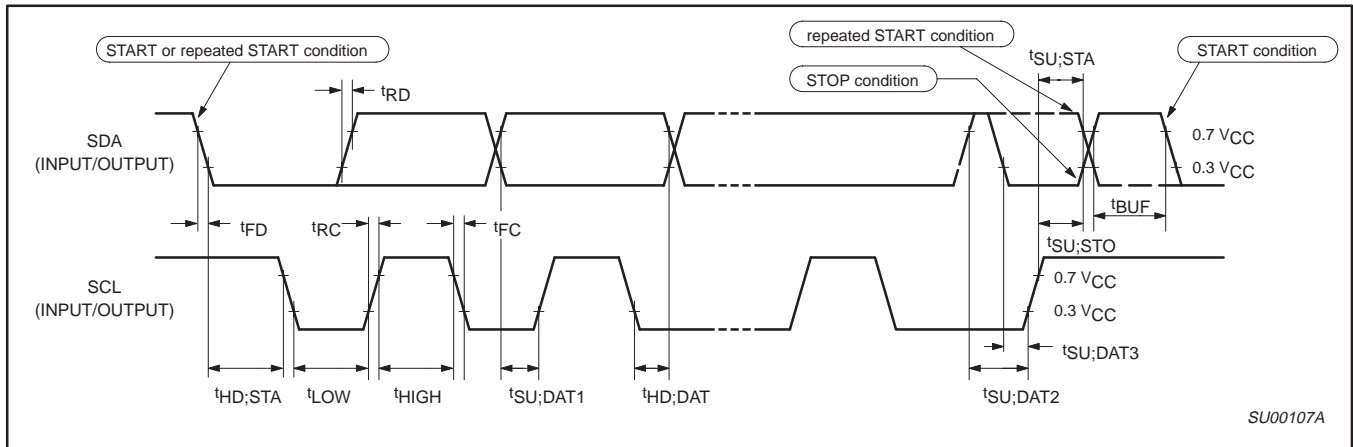


Figure 38. Timing SI01 (I<sup>2</sup>C) Interface

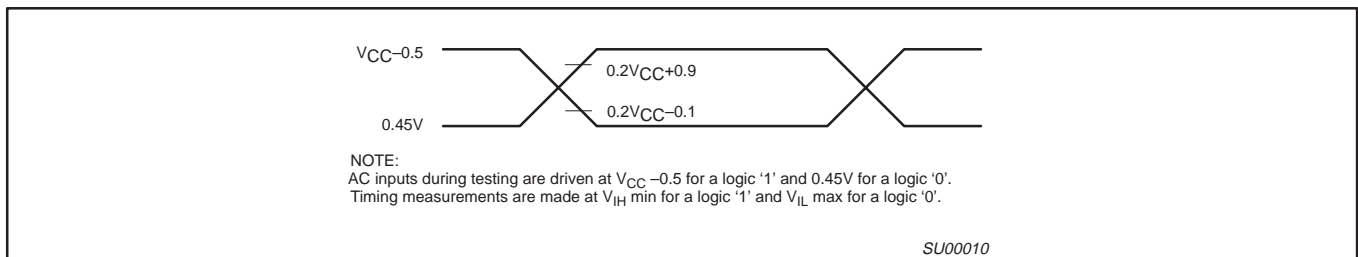


Figure 39. AC Testing Input/Output

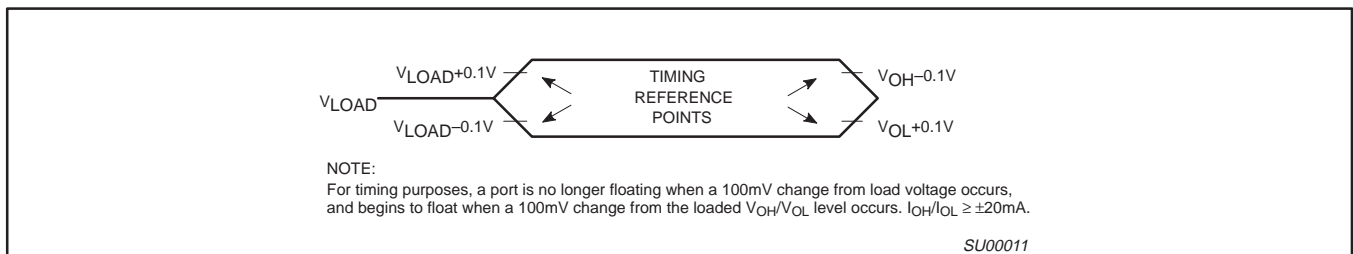


Figure 40. Float Waveform

80C51 8-bit Flash microcontroller family  
 16KB/32KB/64KB ISP/IAP Flash with 512B/1KB/2KB RAM

P89C660/P89C662/P89C664

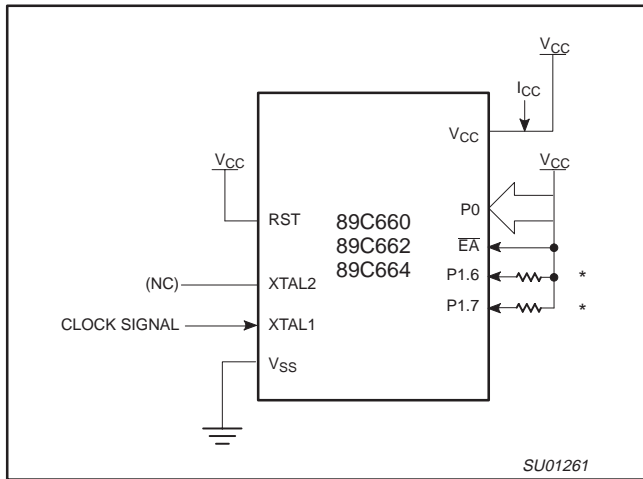


Figure 41.  $I_{CC}$  Test Condition, Active Mode.  
 All other pins are disconnected

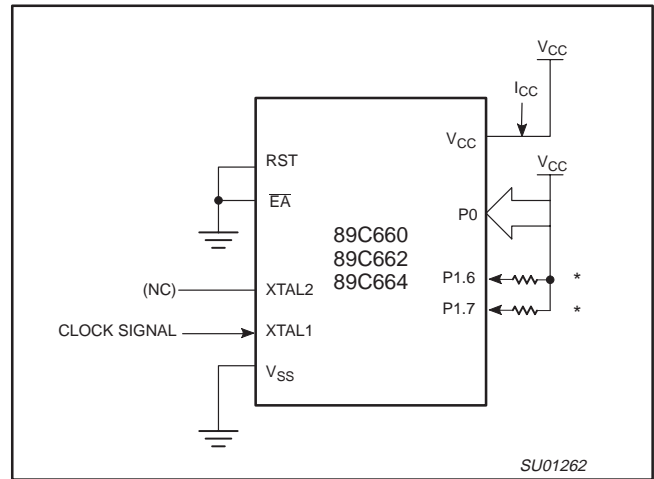


Figure 42.  $I_{CC}$  Test Condition, Idle Mode.  
 All other pins are disconnected

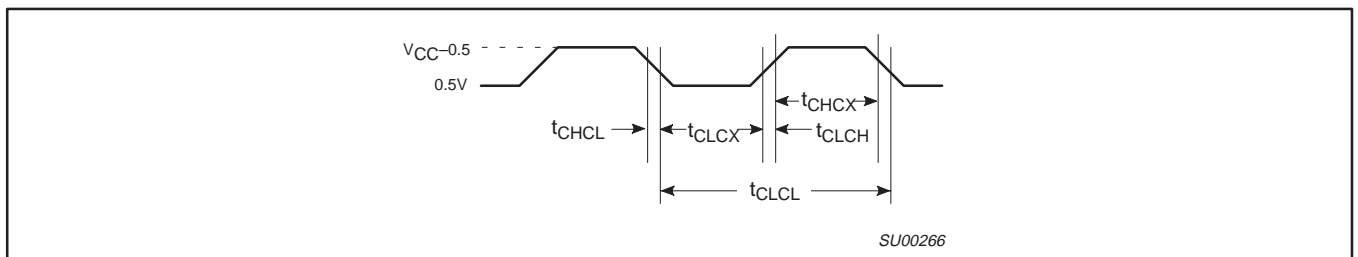


Figure 43. Clock Signal Waveform for  $I_{CC}$  Tests in Active and Idle Modes.  
 $t_{CLCL} = t_{CHCL} = 10 \text{ ns}$

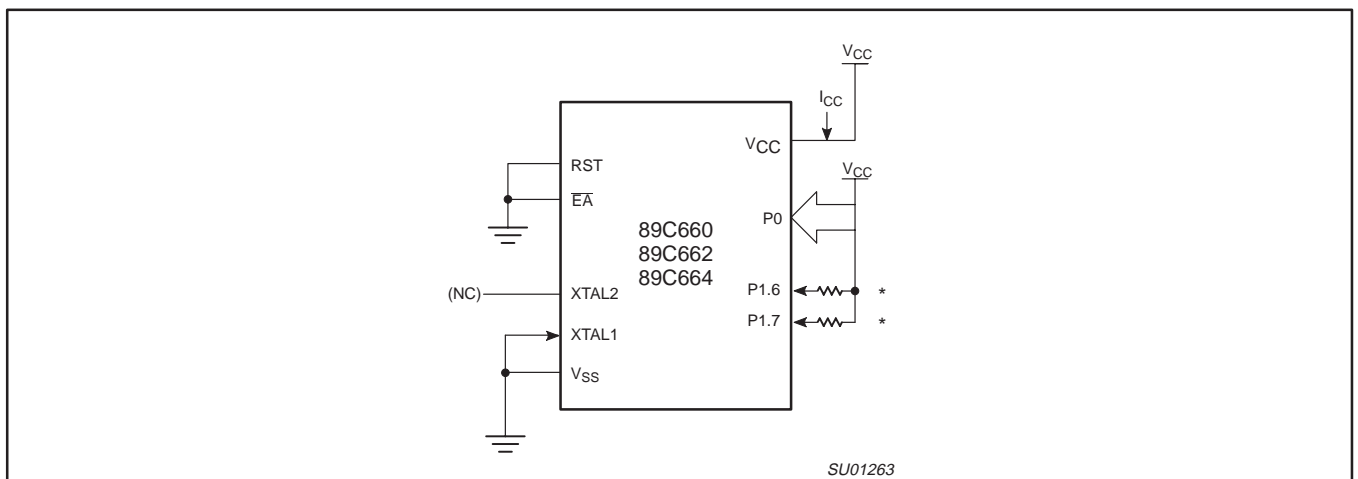


Figure 44.  $I_{CC}$  Test Condition, Power Down Mode.  
 All other pins are disconnected;  $V_{CC} = 2\text{V to } 5.5\text{V}$

NOTE:

\* Ports 1.6 and 1.7 should be connected to  $V_{CC}$  through resistors of sufficiently high value such that the sink current into these pins does not exceed the  $I_{OL1}$  specification.

# 80C51 8-bit Flash microcontroller family

## 16KB/32KB/64KB ISP/IAP Flash with 512B/1KB/2KB RAM

# P89C660/P89C662/P89C664

## FLASH EPROM MEMORY

### GENERAL DESCRIPTION

The P89C660/662/664 Flash memory augments EPROM functionality with in-circuit electrical erasure and programming. The Flash can be read and written as bytes. The Chip Erase operation will erase the entire program memory. The Block Erase function can erase any Flash byte block. In-system programming and standard parallel programming are both available. On-chip erase and write timing generation contribute to a user-friendly programming interface.

The P89C660/662/664 Flash reliably stores memory contents even after 10,000 erase and program cycles. The cell is designed to optimize the erase and programming mechanisms. In addition, the combination of advanced tunnel oxide processing and low internal electric fields for erase and programming operations produces reliable cycling. The P89C660/662/664 uses a +5 V  $V_{PP}$  supply to perform the Program/Erase algorithms.

### FEATURES – IN-SYSTEM PROGRAMMING (ISP) AND IN-APPLICATION PROGRAMMING (IAP)

- Flash EPROM internal program memory with Block Erase.
- Internal 1 kbyte fixed boot ROM, containing low-level in-system programming routines and a default serial loader. User program can call these routines to perform In-Application Programming (IAP). The Boot ROM can be turned off to provide access to the full 64 kbyte Flash memory.
- Boot vector allows user provided Flash loader code to reside anywhere in the Flash memory space. This configuration provides flexibility to the user.
- Default loader in Boot ROM allows programming via the serial port without the need for a user provided loader.
- Up to 64 kbytes external program memory if the internal program memory is disabled ( $\overline{EA} = 0$ ).
- Programming and erase voltage +5 V (+12 V tolerant).
- Read/Programming/Erase using ISP/IAP:
  - Byte Programming (20  $\mu$ s).
  - Typical quick erase times:
    - Block Erase (8 kbytes or 16 kbytes) in 10 seconds.
    - Full Erase (64 kbytes) in 20 seconds.
- In-system programming.
- Programmable security for the code in the Flash.
- 10,000 minimum erase/program cycles for each byte.
- 10-year minimum data retention.

## CAPABILITIES OF THE PHILIPS 89C51 FLASH-BASED MICROCONTROLLERS

### Flash organization

The P89C660/662/664 contains 16KB/32KB/64KB of Flash program memory. This memory is organized as 5 separate blocks. The first two blocks are 8 kbytes in size, filling the program memory space from address 0 through 3FFF hex. The final three blocks are 16 kbytes in size and occupy addresses from 4000 through FFFF hex.

Figure 45 depicts the Flash memory configurations.

### Flash Programming and Erasure

There are three methods of erasing or programming of the Flash memory that may be used. First, the Flash may be programmed or erased in the end-user application by calling low-level routines through a common entry point in the Boot ROM. The end-user application, though, must be executing code from a different block than the block that is being erased or programmed. Second, the on-chip ISP boot loader may be invoked. This ISP boot loader will, in turn, call low-level routines through the same common entry point in the Boot ROM that can be used by the end-user application. Third, the Flash may be programmed or erased using the parallel method by using a commercially available EPROM programmer. The parallel programming method used by these devices is similar to that used by EPROM 87C51, but it is not identical, and the commercially available programmer will need to have support for these devices.

### Boot ROM

When the microcontroller programs its own Flash memory, all of the low level details are handled by code that is permanently contained in a 1 kbyte "Boot ROM" that is separate from the Flash memory. A user program simply calls the common entry point with appropriate parameters in the Boot ROM to accomplish the desired operation. Boot ROM operations include things like: erase block, program byte, verify byte, program security lock bit, etc. The Boot ROM overlays the program memory space at the top of the address space from FC00 to FFFF hex, when it is enabled. The Boot ROM may be turned off so that the upper 1 kbytes of Flash program memory are accessible for execution.

80C51 8-bit Flash microcontroller family  
 16KB/32KB/64KB ISP/IAP Flash with 512B/1KB/2KB RAM

P89C660/P89C662/P89C664

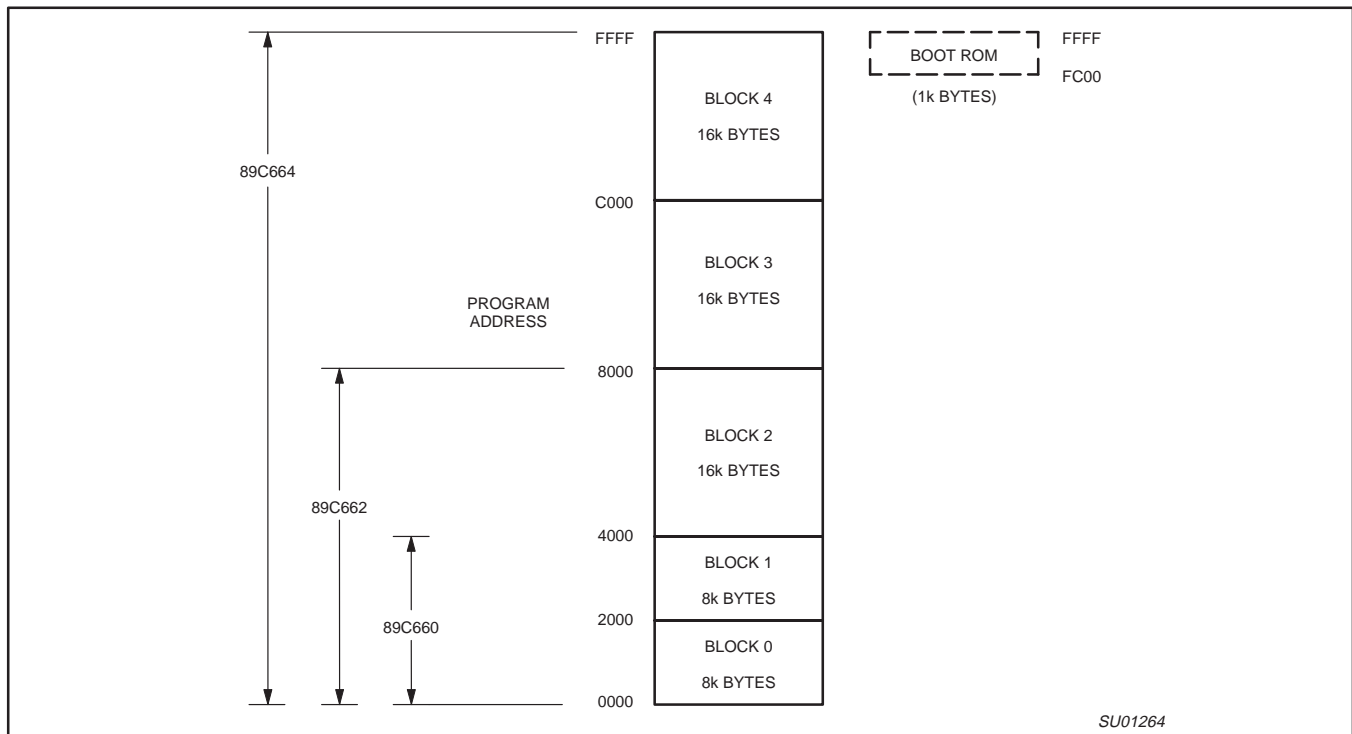


Figure 45. Flash Memory Configurations

**Power-On Reset Code Execution**

The P89C660/662/664 contains two special Flash registers: the BOOT VECTOR and the STATUS BYTE. At the falling edge of reset, the P89C660/662/664 examines the contents of the Status Byte. If the Status Byte is set to zero, power-up execution starts at location 0000H, which is the normal start address of the user’s application code. When the Status Byte is set to a value other than zero, the contents of the Boot Vector is used as the high byte of the execution address and the low byte is set to 00H. The factory default setting is 0FCH, corresponds to the address 0FC00H for the factory masked-ROM ISP boot loader. A custom boot loader can be written with the Boot Vector set to the custom boot loader.

**NOTE:** When erasing the Status Byte or Boot Vector, both bytes are erased at the same time. It is necessary to reprogram the Boot Vector after erasing and updating the Status Byte.

**Hardware Activation of the Boot Loader**

The boot loader can also be executed by holding PSEN LOW, P2.7 high, E $\bar{A}$  greater than V<sub>IH</sub> (such as +5 V), and ALE HIGH (or not connected) at the falling edge of RESET. This is the same effect as having a non-zero status byte. This allows an application to be built that will normally execute the end user’s code but can be manually forced into ISP operation.

If the factory default setting for the Boot Vector (0FCH) is changed, it will no longer point to the ISP masked-ROM boot loader code. If this happens, the only way it is possible to change the contents of the Boot Vector is through the parallel programming method, provided that the end user application does not contain a customized loader that provides for erasing and reprogramming of the Boot Vector and Status Byte.

After programming the Flash, the status byte should be programmed to zero in order to allow execution of the user’s application code beginning at address 0000H.

# 80C51 8-bit Flash microcontroller family

## 16KB/32KB/64KB ISP/IAP Flash with 512B/1KB/2KB RAM

# P89C660/P89C662/P89C664

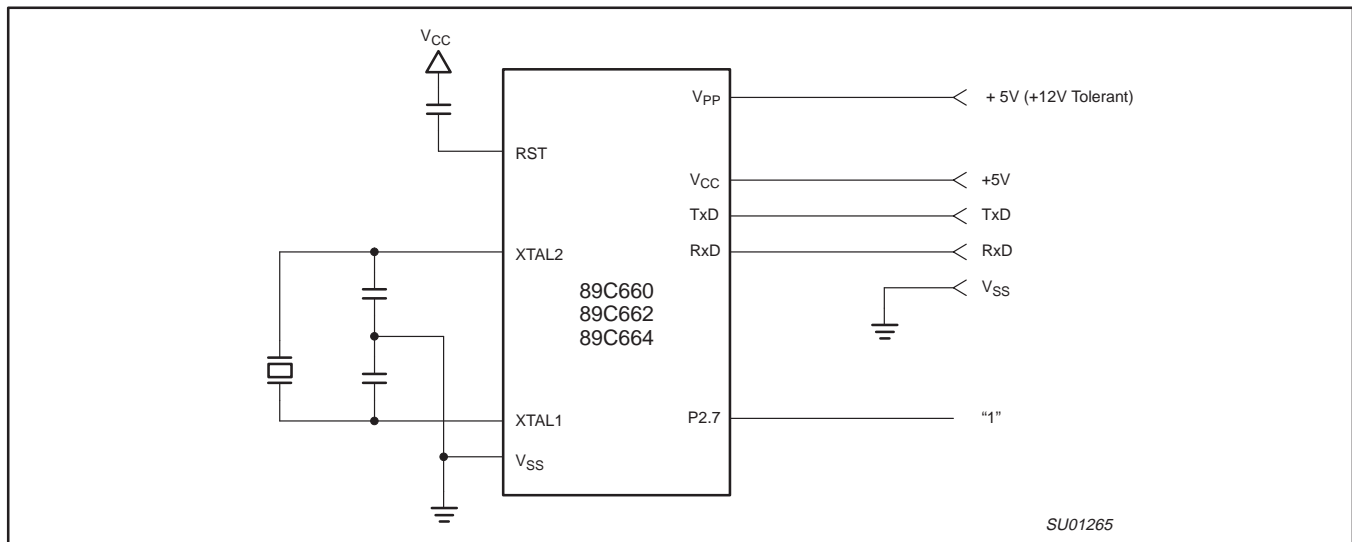


Figure 46. In-System Programming with a Minimum of Pins

### In-System Programming (ISP)

The In-System Programming (ISP) is performed without removing the microcontroller from the system. The In-System Programming (ISP) facility consists of a series of internal hardware resources coupled with internal firmware to facilitate remote programming of the P89C660/662/664 through the serial port. This firmware is provided by Philips and embedded within each P89C660/662/664 device.

The Philips In-System Programming (ISP) facility has made in-circuit programming in an embedded application possible with a minimum of additional expense in components and circuit board area.

The ISP function uses five pins: TxD, RxD, V<sub>SS</sub>, V<sub>CC</sub>, and V<sub>PP</sub> (see Figure 46). Only a small connector needs to be available to interface your application to an external circuit in order to use this feature. The V<sub>PP</sub> supply should be adequately decoupled and V<sub>PP</sub> not allowed to exceed datasheet limits.

### Using the In-System Programming (ISP)

The ISP feature allows for a wide range of baud rates to be used in your application, independent of the oscillator frequency. It is also adaptable to a wide range of oscillator frequencies. This is accomplished by measuring the bit-time of a single bit in a received character. This information is then used to program the baud rate in terms of timer counts based on the oscillator frequency. The ISP feature requires that an initial character (an uppercase U) be sent to the P89C660/662/664 to establish the baud rate. The ISP firmware provides auto-echo of received characters.

Once baud rate initialization has been performed, the ISP firmware will only accept Intel Hex-type records. Intel Hex records consist of ASCII characters used to represent hexadecimal values and are summarized below:

```
:NNAAAARRDD..DDCC<crLf>
```

In the Intel Hex record, the "NN" represents the number of data bytes in the record. The P89C660/662/664 will accept up to 16 (10H) data bytes. The "AAAA" string represents the address of the

first byte in the record. If there are zero bytes in the record, this field is often set to 0000. The "RR" string indicates the record type. A record type of "00" is a data record. A record type of "01" indicates the end-of-file mark. In this application, additional record types will be added to indicate either commands or data for the ISP facility. The maximum number of data bytes in a record is limited to 16 (decimal). ISP commands are summarized in Table 9.

As a record is received by the P89C660/662/664, the information in the record is stored internally and a checksum calculation is performed. The operation indicated by the record type is not performed until the entire record has been received. Should an error occur in the checksum, the P89C660/662/664 will send an "X" out the serial port indicating a checksum error. If the checksum calculation is found to match the checksum in the record, then the command will be executed. In most cases, successful reception of the record will be indicated by transmitting a "." character out the serial port (displaying the contents of the internal program memory is an exception).

In the case of a Data Record (record type 00), an additional check is made. A "." character will NOT be sent unless the record checksum matched the calculated checksum and all of the bytes in the record were successfully programmed. For a data record, an "X" indicates that the checksum failed to match, and an "R" character indicates that one of the bytes did not properly program. It is necessary to send a type 02 record (specify oscillator frequency) to the P89C660/662/664 before programming data.

The ISP facility was designed so that specific crystal frequencies were not required in order to generate baud rates or time the programming pulses. The user thus needs to provide the P89C660/662/664 with information required to generate the proper timing. Record type 02 is provided for this purpose.

WinISP, a software utility to implement ISP programming with a PC, is available on Philips Semiconductors' web site. In addition, at the web site is a listing of third party commercially available serial and parallel programmers.

**80C51 8-bit Flash microcontroller family**  
 16KB/32KB/64KB ISP/IAP Flash with 512B/1KB/2KB RAM

**P89C660/P89C662/P89C664**

**Table 9. Intel-Hex Records Used by In-System Programming**

RECORD TYPE	COMMAND/DATA FUNCTION
00	Program Data :nnaaaa0dd...ddcc Where: Nn = number of bytes (hex) in record Aaaa = memory address of first byte in record dd...dd = data bytes cc = checksum Example: :10008000AF5F67F0602703E0322CFA92007780C3FD
01	End of File (EOF), no operation :xxxxxx01cc Where: xxxxxx = required field, but value is a "don't care" cc = checksum Example: :00000001FF
02	Specify Oscillator Frequency :01xxxx02ddcc Where: xxxx = required field, but value is a "don't care" dd = integer oscillator frequency rounded down to nearest MHz cc = checksum Example: :0100000210ED (dd = 10h = 16, used for 16.0-16.9 MHz)

**80C51 8-bit Flash microcontroller family**  
 16KB/32KB/64KB ISP/IAP Flash with 512B/1KB/2KB RAM

**P89C660/P89C662/P89C664**

RECORD TYPE	COMMAND/DATA FUNCTION
03	<p>Miscellaneous Write Functions                      :nnxxxx03ffssddcc</p> <p>Where:</p> <ul style="list-style-type: none"> <li>nn = number of bytes (hex) in record</li> <li>xxxx = required field, but value is a "don't care"</li> <li>03 = Write Function</li> <li>ff = subfunction code</li> <li>ss = selection code</li> <li>dd = data input (as needed)</li> <li>cc = checksum</li> </ul> <p><b>Subfunction Code = 01 (Erase Blocks)</b>                      ff = 01                      ss = block code as shown below:                          block 0, 0k to 8k, 00H                          block 1, 8k to 16k, 20H                          block 2, 16k to 32k, 40H                          block 3, 32k to 48k, 80H                          block 4, 48k to 64k, C0H</p> <p><b>Example:</b>                      :0200000301C03C erase block 4</p> <p><b>Subfunction Code = 04 (Erase Boot Vector and Status Byte)</b>                      ff = 04                      ss = don't care</p> <p><b>Example:</b>                      :020000030400F7 erase boot vector and status byte</p> <p><b>Subfunction Code = 05 (Program Security Bits)</b>                      ff = 05                      ss = 00 program security bit 1 (inhibit writing to Flash)                          01 program security bit 2 (inhibit Flash verify)                          02 program security bit 3 (disable external memory)</p> <p><b>Example:</b>                      :020000030501F5 program security bit 2</p> <p><b>Subfunction Code = 06 (Program Status Byte or Boot Vector)</b>                      ff = 06                      ss = 00 program status byte                          01 program boot vector</p> <p><b>Example:</b>                      :030000030601FCF7 program boot vector with 0FCH</p> <p><b>Subfunction Code = 07 (Full Chip Erase)</b>                      Erases all blocks, security bits, and sets status and boot vector to default values                      ff = 07                      ss = don't care                      dd = don't care</p> <p><b>Example:</b>                      :0100000307F5 full chip erase</p>
04	<p>Display Device Data or Blank Check – Record type 04 causes the contents of the entire Flash array to be sent out the serial port in a formatted display. This display consists of an address and the contents of 16 bytes starting with that address. No display of the device contents will occur if security bit 2 has been programmed. Data to the serial port is initiated by the reception of any character and terminated by the reception of any character.</p> <p><b>General Format of Function 04</b>                      :05xxxx04ssseeeffcc</p> <p>Where:</p> <ul style="list-style-type: none"> <li>05 = number of bytes (hex) in record</li> <li>xxxx = required field, but value is a "don't care"</li> <li>04 = "Display Device Data or Blank Check" function code</li> <li>ssss = starting address</li> <li>eeee = ending address</li> <li>ff = subfunction                          00 = display data                          01 = blank check</li> <li>cc = checksum</li> </ul> <p><b>Example:</b>                      :0500000440004FFF0069 display 4000-4FFF</p>

**80C51 8-bit Flash microcontroller family**  
 16KB/32KB/64KB ISP/IAP Flash with 512B/1KB/2KB RAM

**P89C660/P89C662/P89C664**

RECORD TYPE	COMMAND/DATA FUNCTION
05	<p>Miscellaneous Read Functions</p> <p>General Format of Function 05                      :02xxxx05ffsscc</p> <p>Where:</p> <ul style="list-style-type: none"> <li>02 = number of bytes (hex) in record</li> <li>xxxx = required field, but value is a "don't care"</li> <li>05 = "Miscellaneous Read" function code</li> <li>ffss = subfunction and selection code                             <ul style="list-style-type: none"> <li>0000 = read signature byte - manufacturer id (15H)</li> <li>0001 = read signature byte - device id # 1 (C2H)</li> <li>0002 = read signature byte - device id # 2</li> <li>0700 = read security bits</li> <li>0701 = read status byte</li> <li>0702 = read boot vector</li> </ul> </li> <li>cc = checksum</li> </ul> <p>Example:                      :020000050001F8 read signature byte - device id # 1</p>
06	<p>Direct Load of Baud Rate</p> <p>General Format of Function 06                      :02xxxx06hhllcc</p> <p>Where:</p> <ul style="list-style-type: none"> <li>02 = number of bytes (hex) in record</li> <li>xxxx = required field, but value is a "don't care"</li> <li>06 = "Direct Load of Baud Rate" function code</li> <li>hh = high byte of Timer 2</li> <li>ll = low byte of Timer 2</li> <li>cc = checksum</li> </ul> <p>Example:                      :02000006F500F3</p>



**80C51 8-bit Flash microcontroller family**  
 16KB/32KB/64KB ISP/IAP Flash with 512B/1KB/2KB RAM

**P89C660/P89C662/P89C664**

**In Application Programming Method**

Several In Application Programming (IAP) calls are available for use by an application program to permit selective erasing and programming of Flash sectors. All calls are made through a common interface, PGM\_MTP. The programming functions are selected by setting up the microcontroller's registers before making a call to PGM\_MTP at FFF0H. The oscillator frequency is an integer number rounded down to the nearest megahertz. For example, set R0 to 11 for 11.0592 MHz. Results are returned in the registers. The IAP calls are shown in Table 10.

**Using the Watchdog Timer (WDT)**

The 89C66x devices support the use of the WDT in IAP. The user specifies that the WDT is to be fed by setting the most significant bit of the function parameter passed in R1 prior to calling PGM\_MTP. The WDT function is only supported for Block Erase when using the Quick Block Erase. The Quick Block Erase is specified by performing a Block Erase with register R0 = 0. Requesting a WDT feed during IAP should only be performed in applications that use the WDT since the process of feeding the WDT will start the WDT if the WDT was not working.

**Table 10. IAP calls**

IAP CALL	PARAMETER
PROGRAM DATA BYTE	<p>Input Parameters:                      R0 = osc freq (integer)                      R1 = 02h                      R1 = 82h (WDT feed, Rx2 &amp; 66x only)                      DPTR = address of byte to program                      ACC = byte to program</p> <p>Return Parameter                      ACC = 00 if pass, !00 if fail</p> <p>Sample routine:                      ;***** Program Device Data (DData) *****                      ;***** ACC holds data to write                      ;***** DPTR holds address of byte to write *****                      ;***** Returns with ACC = 00h if successful, else ACC NEQ 00h</p> <pre> WRData:     MOV    AUXR1,#20H    ;set the ENBOOT bit     MOV    R0, #11      ;FOSC     MOV    R1,#02H      ;program data function     MOV    A,Mydata     ;data to write     MOV    DPTR,Address ;specify address of byte to read     CALL   PGM_MTP      ;execute the function     RET                     </pre>
ERASE BLOCK	<p>Input Parameters:                      R0 = osc freq (integer)                      R0 = 0 (QUICK ERASE, Rx2 &amp; 66x only)                      R1 = 01h                      R1 = 81h (WDT feed, Rx2 &amp; 66x only; can only be used with Quick Erase)                      DPH = block code as shown below:                          block 0, 0k to 8k, 00H                          block 1, 8k to 16k, 20H                          block 2, 16k to 32k, 40H                          block 3, 32k to 48k, 80H                          block 4, 48k to 64k, C0H</p> <p>DPL = 00h</p> <p>Return Parameter                      none</p> <p>Sample routine:                      ;***** Erase Code Memory Block *****                      ;***** DPH (7:5) indicates which of the 5 blocks to erase                      ;***** DPTR values for the blocks are:                      ;    0000h = block 0                      ;    2000h = block 1                      ;    4000h = block 2                      ;    8000h = block 3                      ;    C000h = block 4</p> <pre> ERSBLK:     MOV    AUXR1,#20H    ;set the ENBOOT bit     MOV    R0, #11      ;FOSC     MOV    R1,#01H      ;erase block     MOV    DPTR,#BLk_NUM ;specify which block     CALL   PGM_MTP      ;execute the function     RET                     </pre>

**80C51 8-bit Flash microcontroller family**  
 16KB/32KB/64KB ISP/IAP Flash with 512B/1KB/2KB RAM

**P89C660/P89C662/P89C664**

IAP CALL	PARAMETER
<p><b>ERASE BOOT VECTOR &amp; STATUS BYTE</b></p>	<p>Input Parameters:                      R0 = osc freq (integer)                      R1 = 04h                      R1 = 84h (WDT feed, Rx2 &amp; 66x only)                      DPH = 00h                      DPL = don't care</p> <p>Return Parameter                      none</p> <p>Sample routine:                      ;***** Erase Boot Vector (BV) &amp; Status Byte (SB) *****                      ;***** Note: This command erases BOTH the SB &amp; BV</p> <pre> ERSBBV:     MOV    AUXR1,#20H    ;set the ENBOOT bit     MOV    R0, #11      ;FOSC     MOV    R1,#04H      ;erase status byte &amp; boot vector     MOV    DPH,#00h     ;we don't care about DPL     CALL   PGM_MTP      ;execute the function     RET                     </pre>
<p><b>PROGRAM SECURITY BIT</b></p>	<p>Input Parameters:                      R0 = osc freq (integer)                      R1 = 05h                      R1 = 85h (WDT feed, Rx2 &amp; 66x only)                      DPH = 00h                      DPL = 00h - security bit # 1 (inhibit writing to Flash)                      01h - security bit # 2 (inhibit Flash verify)                      02h - security bit # 3 (disable external memory)</p> <p>Return Parameter                      none</p> <p>Sample routines:                      ;***** Program Security Bit1 *****                      ;***** DPTR indicates security bit to program *****</p> <pre> WRSB1:     MOV    AUXR1,#20H    ;set the ENBOOT bit     MOV    R0,#11      ;FOSC     MOV    R1,#05H      ;program security bit function     MOV    DPTR,#0000h   ;specify security bit 1     CALL   PGM_MTP      ;execute the function     RET                     </pre> <p>;***** Program Security Bit2 *****                      ;***** DPTR indicates security bit to program *****</p> <pre> WRSB2:     MOV    AUXR1,#20H    ;set the ENBOOT bit     MOV    R0,#11      ;FOSC     MOV    R1,#05H      ;program security bit function     MOV    DPTR,#0001h   ;specify security bit 2     CALL   PGM_MTP      ;execute the function     RET                     </pre> <p>;***** Program Security Bit3 *****                      ;***** DPTR indicates security bit to program *****</p> <pre> WRSB3:     MOV    AUXR1,#20H    ;set the ENBOOT bit     MOV    R0,#11      ;FOSC     MOV    R1,#05H      ;program security bit function     MOV    DPTR,#0002h   ;specify security bit 3     CALL   PGM_MTP      ;execute the function     RET                     </pre>

# 80C51 8-bit Flash microcontroller family

16KB/32KB/64KB ISP/IAP Flash with 512B/1KB/2KB RAM

## P89C660/P89C662/P89C664

IAP CALL	PARAMETER
PROGRAM STATUS BYTE	<p>Input Parameters:  R0 = osc freq (integer)  R1 = 06h  R1 = 86h (WDT feed, Rx2, 66x only)  DPH = 00h  DPL = 00h - program status byte  ACC = status byte</p> <p>Return Parameter  ACC = 00 if pass; not 00 if fails</p> <p>Sample routine:  ;***** Program Status Byte (SB) *****  ;***** DPTR indicates program status byte *****  ;***** ACC holds new value of Status Byte to program *****</p> <p>WRSB:  MOV     AUXR1,#20H     ;set the ENBOOT bit  MOV     R0,#11         ;FOSC  MOV     R1,#06H        ;program status byte or boot vector  MOV     DPTR,#0000h    ;specify status byte  MOV     A,NEW_SB       ;  CALL    PGM_MTP        ;execute the function  RET</p>
PROGRAM BOOT VECTOR	<p>Input Parameters:  R0 = osc freq (integer)  R1 = 06h  R1 = 86h (WDT feed, Rx2 &amp; 66x only)  DPH = 00h  DPL = 01h - program boot vector  ACC = boot vector</p> <p>Return Parameter  ACC = 00 if pass; not 00 if fails</p> <p>Sample routine:  ;***** Program Boot Vector (BV) *****  ;***** DPTR indicates program boot vector *****  ;***** ACC holds new value of boot vector to program *****</p> <p>WRBV:  MOV     AUXR1,#20H     ;set the ENBOOT bit  MOV     R0,#11         ;FOSC  MOV     R1,#06H        ;program status byte or boot vector  MOV     DPTR,#0001h    ;specify boot vector  MOV     A,NEW_SB       ;new value for the boot vector  CALL    PGM_MTP        ;execute the function  RET</p>
READ DEVICE DATA	<p>Input Parameters:  R1 = 03h  R1 = 83h (WDT feed, Rx2 &amp; 66x only)  DPTR = address of byte to read</p> <p>Return Parameter  ACC = value of byte read</p> <p>Sample routine:  ;*****reads the Device Data (DData) *****  ;***** DData returned in ACC *****  ;***** DPTR holds address of byte to read *****</p> <p>RDData:  MOV     AUXR1,#20H     ;set the ENBOOT bit  MOV     R0,#11         ;FOSC  MOV     R1,#03H        ;read data function  MOV     DPTR,Address   ;specify address of byte to read  CALL    PGM_MTP        ;execute the function  RET</p>

# 80C51 8-bit Flash microcontroller family

16KB/32KB/64KB ISP/IAP Flash with 512B/1KB/2KB RAM

## P89C660/P89C662/P89C664

IAP CALL	PARAMETER
READ MANUFACTURER ID	<p>Input Parameters:  R0 = osc freq (integer)  R1 = 00h  R1 = 80h (WDT feed, Rx2 &amp; 66x only)  DPH = 00h  DPL = 00h (manufacturer ID)</p> <p>Return Parameter  ACC = value of byte read</p> <p>Sample routine:  ;*****reads the Manufacturer ID (MID) *****  ;***** MID returned in ACC (should be 15h for Philips)  RDMID:  MOV     AUXR1,#20H         ;set the ENBOOT bit  MOV     R0,#11             ;FOSC  MOV     R1,#00H            ;read misc function  MOV     DPTR,#0000H       ;specify MID  CALL    PGM_MTP            ;execute the function  RET</p>
READ DEVICE ID # 1	<p>Input Parameters:  R0 = osc freq (integer)  R1 = 00h  R1 = 80h (WDT feed, Rx2 &amp; 66x only)  DPH = 00h  DPL = 01h (device ID # 1)</p> <p>Return Parameter  ACC = value of byte read</p> <p>Sample routine:  ;*****reads the Device ID 1 (DID1) *****  ;***** DID1 returned in ACC  RDDID1:  MOV     AUXR1,#20H         ;set the ENBOOT bit  MOV     R0,#11             ;FOSC  MOV     R1,#00H            ;read misc function  MOV     DPTR,#0001H       ;specify device id 1  CALL    PGM_MTP            ;execute the function  RET</p>
READ DEVICE ID # 2	<p>Input Parameters:  R0 = osc freq (integer)  R1 = 00h  R1 = 80h (WDT feed, Rx2 &amp; 66x only)  DPH = 00h  DPL = 02h (device ID # 2)</p> <p>Return Parameter  ACC = value of byte read</p> <p>Sample routine:  ;*****reads the Device ID 2 (DID2) *****  ;***** DID2 returned in ACC  RDDID2:  MOV     AUXR1,#20H         ;set the ENBOOT bit  MOV     R0,#11             ;FOSC  MOV     R1,#00H            ;read misc function  MOV     DPTR,#0002H       ;specify device id 2  CALL    PGM_MTP            ;execute the function  RET</p>

# 80C51 8-bit Flash microcontroller family

16KB/32KB/64KB ISP/IAP Flash with 512B/1KB/2KB RAM

## P89C660/P89C662/P89C664

IAP CALL	PARAMETER
READ SECURITY BITS	<pre> Input Parameters: R0 = osc freq (integer) R1 = 07h R1 = 87h (WDT feed, Rx2 &amp; 66x only) DPH = 00h DPL = 00h (security bits) Return Parameter ACC = value of byte read Sample routine: ;*****reads the Security Bits (SBits) ***** ;***** SBits returned in ACC (2:0) RDSBits:         MOV     AUXR1,#20H      ;set the ENBOOT bit         MOV     R0,#11         ;FOSC         MOV     R1,#07H        ;read misc function         MOV     DPTR,#0000H     ;specify security bits         CALL    PGM_MTP        ;execute the function         RET </pre>
READ STATUS BYTE	<pre> Input Parameters: R0 = osc freq (integer) R1 = 07h R1 = 87h (WDT feed, Rx2 &amp; 66x only) DPH = 00h DPL = 01h (status byte) Return Parameter ACC = value of byte read Sample routine: ;*****reads the Status Byte (SB) ***** ;***** SB returned in ACC RDSB:         MOV     AUXR1,#20H      ;set the ENBOOT bit         MOV     R0,#11         ;FOSC         MOV     R1,#07H        ;read misc function         MOV     DPTR,#0001H     ;specify status byte         CALL    PGM_MTP        ;execute the function         RET </pre>
READ BOOT VECTOR	<pre> Input Parameters: R0 = osc freq (integer) R1 = 07h R1 = 87h (WDT feed, Rx2 &amp; 66x only) DPH = 00h DPL = 02h (boot vector) Return Parameter ACC = value of byte read Sample routine: ;*****reads the Boot Vector (BV) ***** ;***** BV returned in ACC RDBV:         MOV     AUXR1,#20H      ;set the ENBOOT bit         MOV     R0,#11         ;FOSC         MOV     R1,#07H        ;read misc function         MOV     DPTR,#0002H     ;specify boot vector         CALL    PGM_MTP        ;execute the function         RET </pre>

## 80C51 8-bit Flash microcontroller family

16KB/32KB/64KB ISP/IAP Flash with 512B/1KB/2KB RAM

P89C660/P89C662/P89C664

### Security

The security feature protects against software piracy and prevents the contents of the Flash from being read. The Security Lock bits are located in Flash. The P89C660/662/664 has 3 programmable security lock bits that will provide different levels of protection for the on-chip code and data (see Table 11).

**Table 11.**

SECURITY LOCK BITS <sup>1</sup>				PROTECTION DESCRIPTION
Level	LB1	LB2	LB3	
1	0	0	0	MOVC instructions executed from external program memory are disabled from fetching code bytes from internal memory.
2	1	0	0	Same as level 1, plus block erase is disabled. Erase or programming of the status byte or boot vector is disabled.
3	1	1	0	Same as level 2, plus verify of code memory is disabled.
4	1	1	1	Same as level 3, plus external execution is disabled.

**NOTE:**

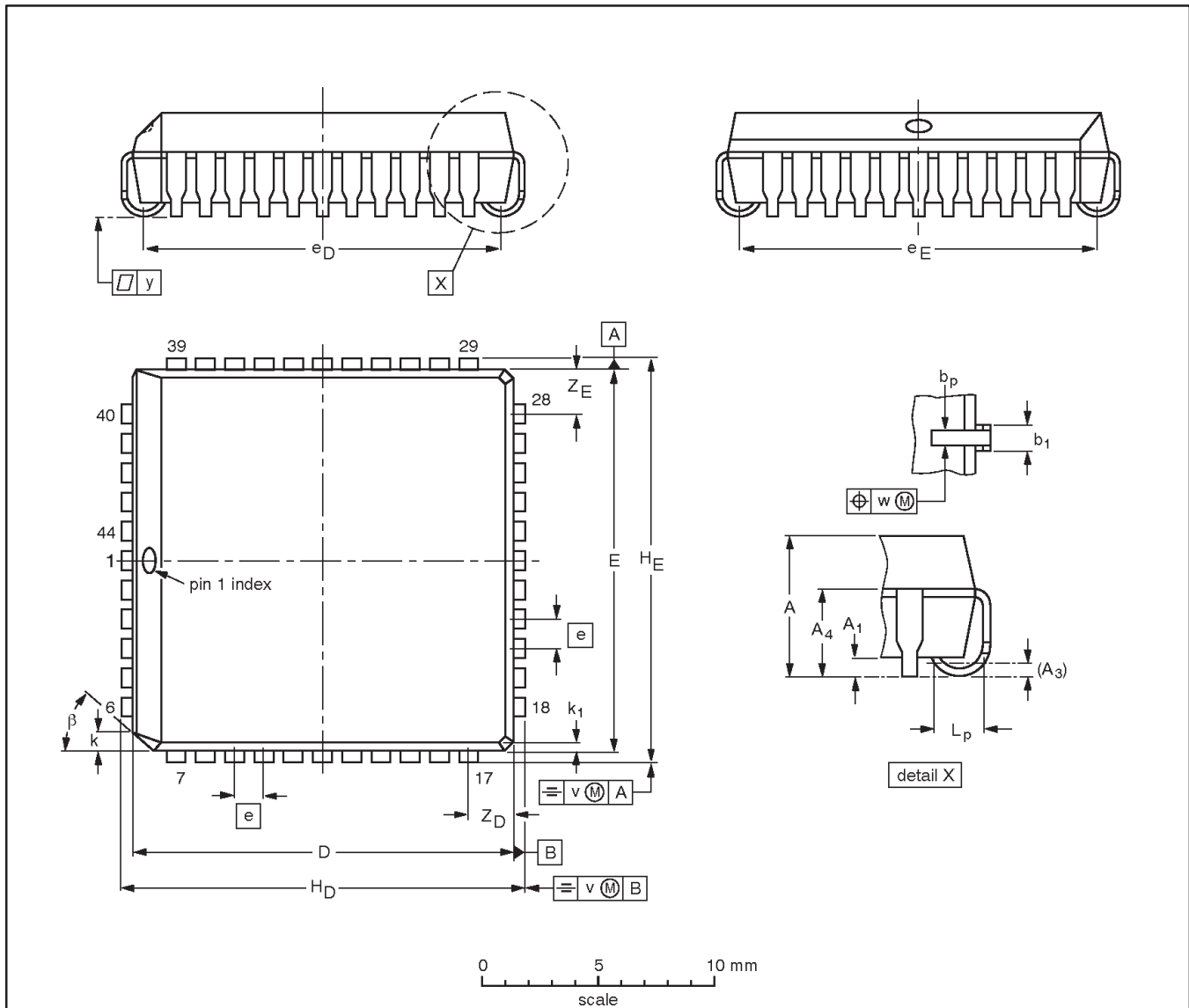
1. Security bits are independent of each other. Full-chip erase may be performed regardless of the state of the security bits.
2. Any other combination of lockbits is undefined.
3. Setting LBx doesn't prevent programming of unprogrammed bits.

80C51 8-bit Flash microcontroller family  
 16KB/32KB/64KB ISP/IAP Flash with 512B/1KB/2KB RAM

P89C660/P89C662/P89C664

PLCC44: plastic leaded chip carrier; 44 leads

SOT187-2



DIMENSIONS (millimetre dimensions are derived from the original inch dimensions)

UNIT	A	A <sub>1</sub> min.	A <sub>3</sub>	A <sub>4</sub> max.	b <sub>p</sub>	b <sub>1</sub>	D <sup>(1)</sup>	E <sup>(1)</sup>	e	e <sub>D</sub>	e <sub>E</sub>	H <sub>D</sub>	H <sub>E</sub>	k	k <sub>1</sub> max.	L <sub>p</sub>	v	w	y	Z <sub>D</sub> <sup>(1)</sup> max.	Z <sub>E</sub> <sup>(1)</sup> max.	β
mm	4.57 4.19	0.51	0.25	3.05	0.53 0.33	0.81 0.66	16.66 16.51	16.66 16.51	1.27	16.00 14.99	16.00 14.99	17.65 17.40	17.65 17.40	1.22 1.07	0.51	1.44 1.02	0.18	0.18	0.10	2.16	2.16	45°
inches	0.180 0.165	0.020	0.01	0.12	0.021 0.013	0.032 0.026	0.656 0.650	0.656 0.650	0.05	0.630 0.590	0.630 0.590	0.695 0.685	0.695 0.685	0.048 0.042	0.020	0.057 0.040	0.007	0.007	0.004	0.085	0.085	

Note

1. Plastic or metal protrusions of 0.01 inches maximum per side are not included.

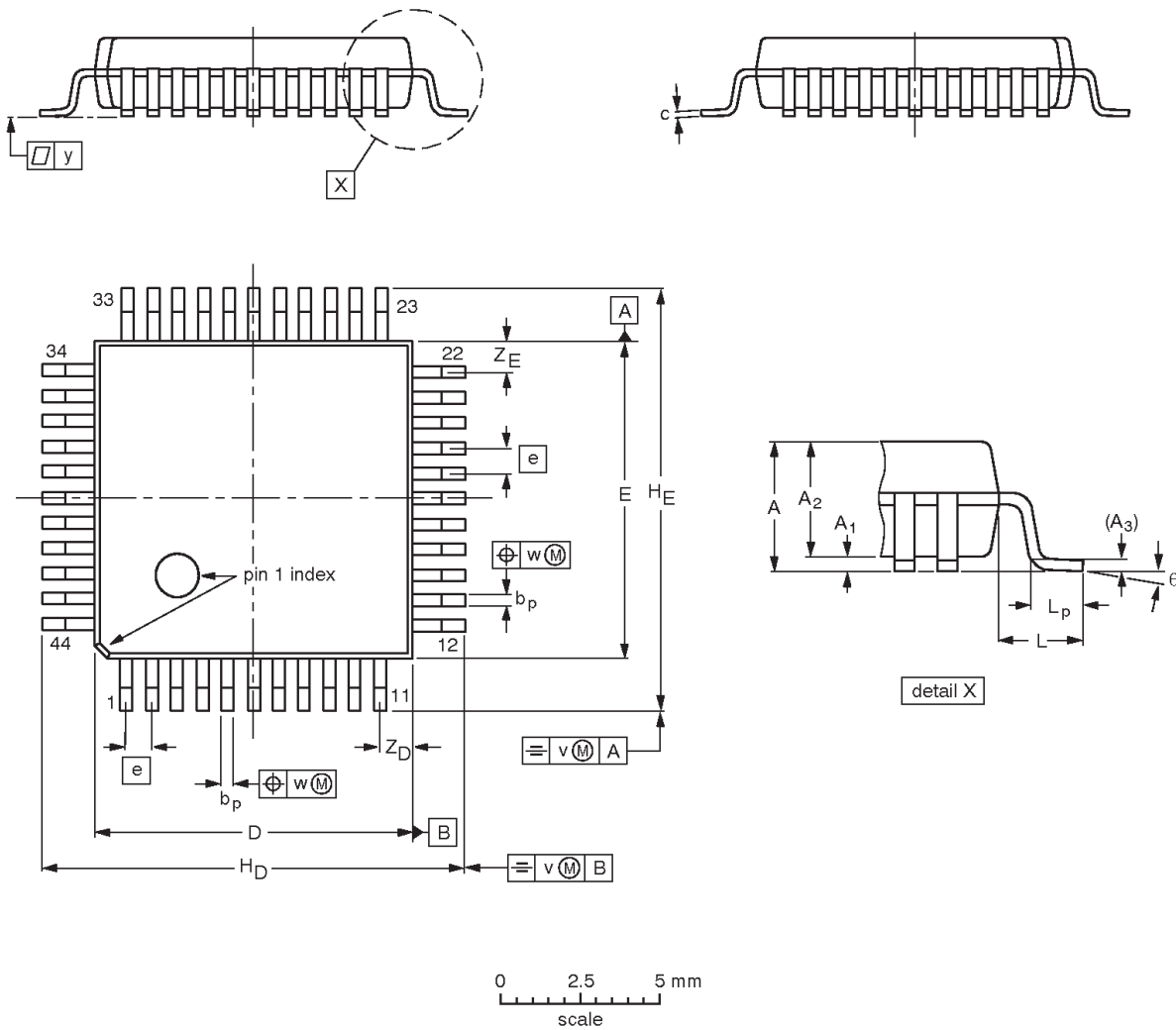
OUTLINE VERSION	REFERENCES				EUROPEAN PROJECTION	ISSUE DATE
	IEC	JEDEC	EIAJ			
SOT187-2	112E10	MO-047				97-12-16 99-12-27

80C51 8-bit Flash microcontroller family  
 16KB/32KB/64KB ISP/IAP Flash with 512B/1KB/2KB RAM

P89C660/P89C662/P89C664

LQFP44: plastic low profile quad flat package; 44 leads; body 10 x 10 x 1.4 mm

SOT389-1



**DIMENSIONS (mm are the original dimensions)**

UNIT	A max.	A <sub>1</sub>	A <sub>2</sub>	A <sub>3</sub>	b <sub>p</sub>	c	D <sup>(1)</sup>	E <sup>(1)</sup>	e	H <sub>D</sub>	H <sub>E</sub>	L	L <sub>p</sub>	v	w	y	Z <sub>D</sub> <sup>(1)</sup>	Z <sub>E</sub> <sup>(1)</sup>	θ
mm	1.60	0.15 0.05	1.45 1.35	0.25	0.45 0.30	0.20 0.12	10.10 9.90	10.10 9.90	0.80	12.15 11.85	12.15 11.85	1.0	0.75 0.45	0.20	0.20	0.10	1.14 0.85	1.14 0.85	7° 0°

**Note**

1. Plastic or metal protrusions of 0.25 mm maximum per side are not included.

OUTLINE VERSION	REFERENCES				EUROPEAN PROJECTION	ISSUE DATE
	IEC	JEDEC	EIAJ			
SOT389-1	136E08	MS-026				<del>99-12-17</del> 00-01-19



# 80C51 8-bit Flash microcontroller family

16KB/32KB/64KB ISP/IAP Flash with 512B/1KB/2KB RAM

P89C660/P89C662/P89C664

## Data sheet status

Data sheet status <sup>[1]</sup>	Product status <sup>[2]</sup>	Definitions
Objective data	Development	This data sheet contains data from the objective specification for product development. Philips Semiconductors reserves the right to change the specification in any manner without notice.
Preliminary data	Qualification	This data sheet contains data from the preliminary specification. Supplementary data will be published at a later date. Philips Semiconductors reserves the right to change the specification without notice, in order to improve the design and supply the best possible product.
Product data	Production	This data sheet contains data from the product specification. Philips Semiconductors reserves the right to make changes at any time in order to improve the design, manufacturing and supply. Changes will be communicated according to the Customer Product/Process Change Notification (CPCN) procedure SNW-SQ-650A.

[1] Please consult the most recently issued data sheet before initiating or completing a design.

[2] The product status of the device(s) described in this data sheet may have changed since this data sheet was published. The latest information is available on the Internet at URL <http://www.semiconductors.philips.com>.

## Definitions

**Short-form specification** — The data in a short-form specification is extracted from a full data sheet with the same type number and title. For detailed information see the relevant data sheet or data handbook.

**Limiting values definition** — Limiting values given are in accordance with the Absolute Maximum Rating System (IEC 60134). Stress above one or more of the limiting values may cause permanent damage to the device. These are stress ratings only and operation of the device at these or at any other conditions above those given in the Characteristics sections of the specification is not implied. Exposure to limiting values for extended periods may affect device reliability.

**Application information** — Applications that are described herein for any of these products are for illustrative purposes only. Philips Semiconductors make no representation or warranty that such applications will be suitable for the specified use without further testing or modification.

## Disclaimers

**Life support** — These products are not designed for use in life support appliances, devices or systems where malfunction of these products can reasonably be expected to result in personal injury. Philips Semiconductors customers using or selling these products for use in such applications do so at their own risk and agree to fully indemnify Philips Semiconductors for any damages resulting from such application.

**Right to make changes** — Philips Semiconductors reserves the right to make changes, without notice, in the products, including circuits, standard cells, and/or software, described or contained herein in order to improve design and/or performance. Philips Semiconductors assumes no responsibility or liability for the use of any of these products, conveys no license or title under any patent, copyright, or mask work right to these products, and makes no representations or warranties that these products are free from patent, copyright, or mask work right infringement, unless otherwise specified.

Philips Semiconductors  
811 East Arques Avenue  
P.O. Box 3409  
Sunnyvale, California 94088-3409  
Telephone 800-234-7381

© Copyright Philips Electronics North America Corporation 2001  
All rights reserved. Printed in U.S.A.

Date of release: 07-01

Document order number:

9397 750 08584

*Let's make things better.*