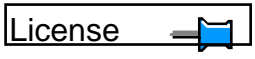
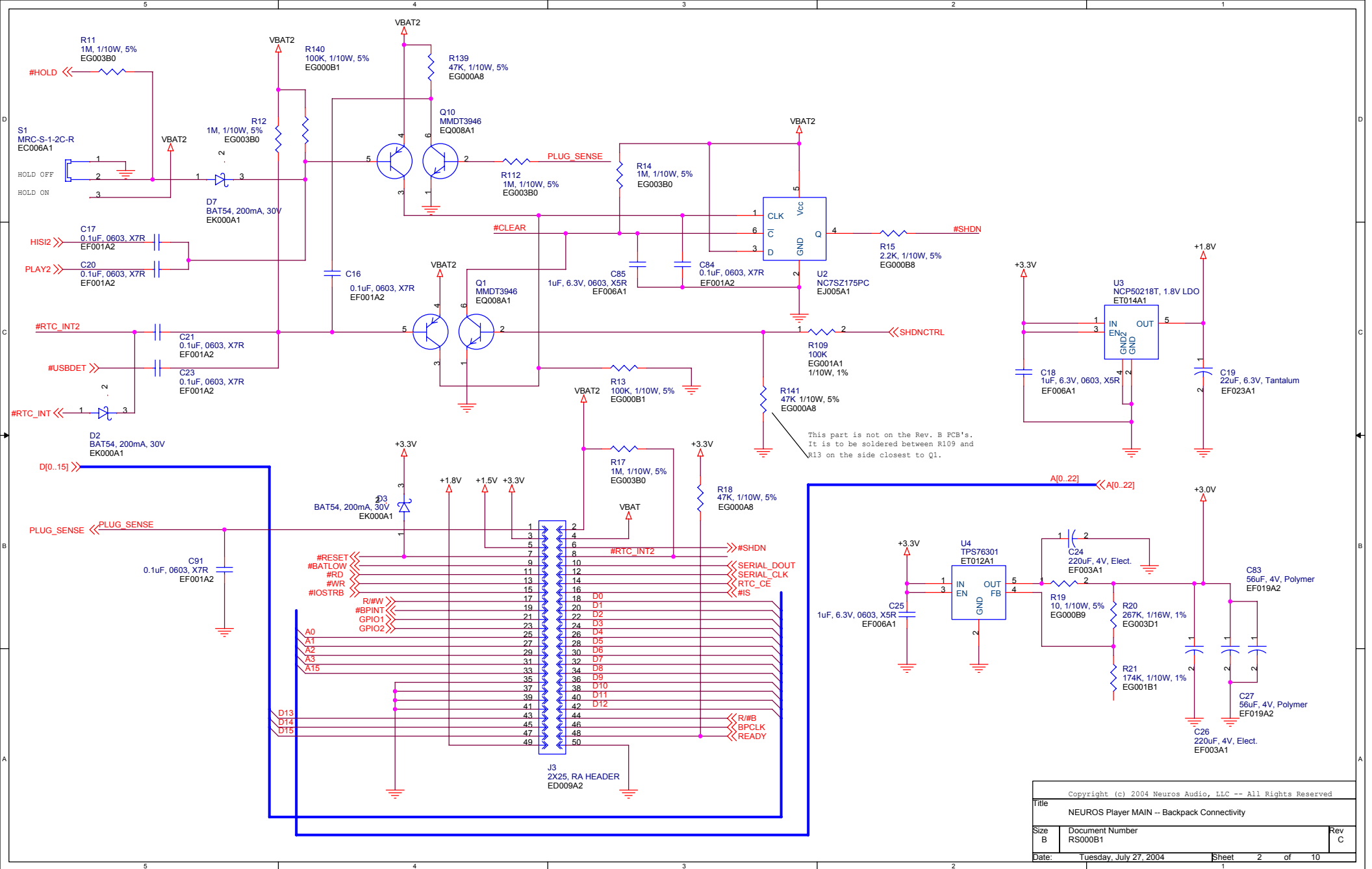


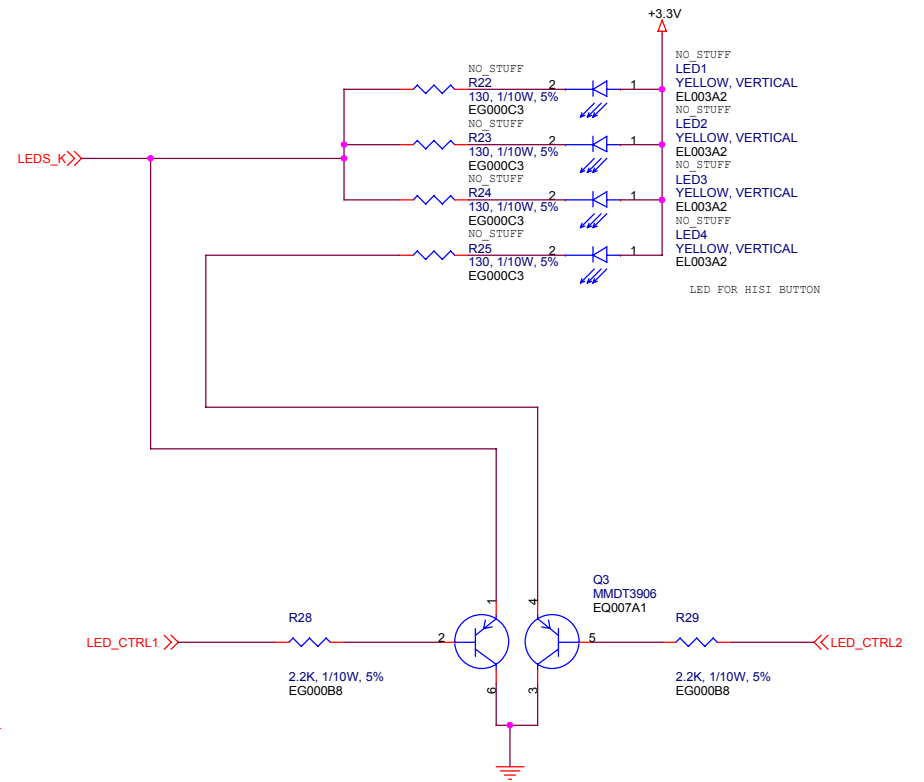
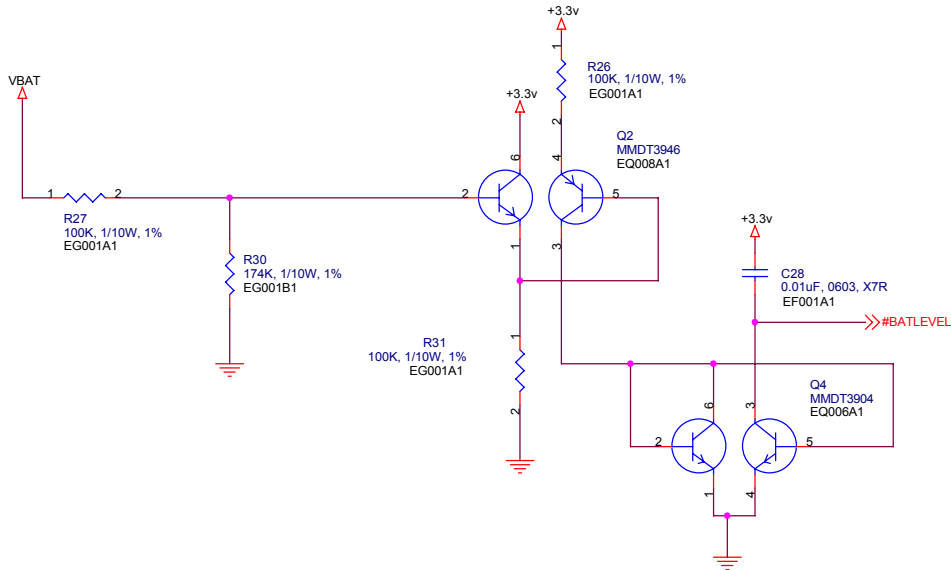
This part is not on the Rev. B PCB's.  
It is to be soldered directly over L3.



Copyright (c) 2004 Neuros Audio, LLC -- All Rights Reserved		
Title NEUROS Player MAIN - Audio		
Size B	Document Number RS000B1	Rev C
Date: Tuesday, July 27, 2004	Sheet 1	of 10

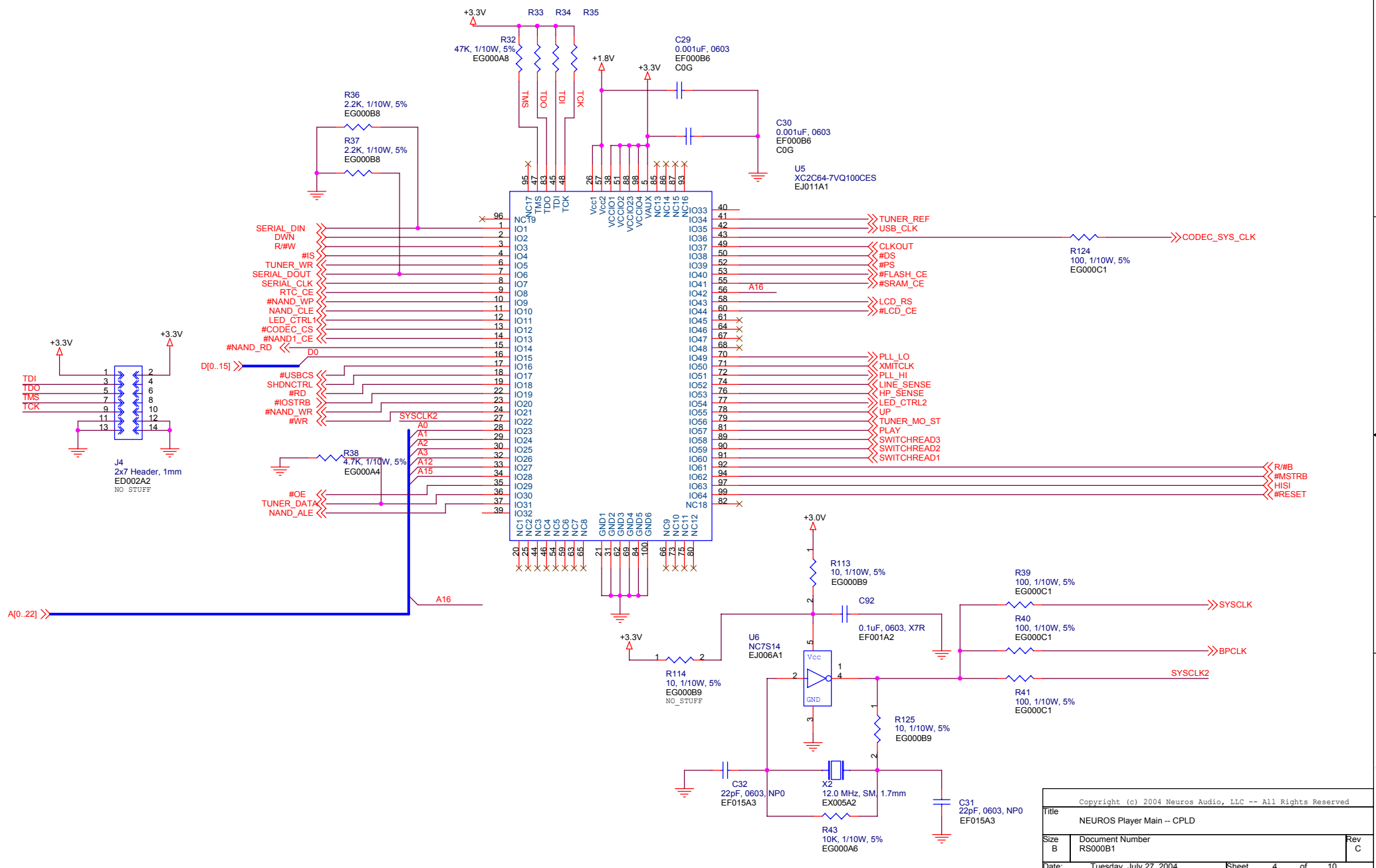


Copyright (c) 2004 Neuros Audio, LLC -- All Rights Reserved		
Title NEUROS Player MAIN -- Backpack Connectivity		
Size B	Document Number RS000B1	Rev C
Date: Tuesday, July 27, 2004	Sheet 2	of 10



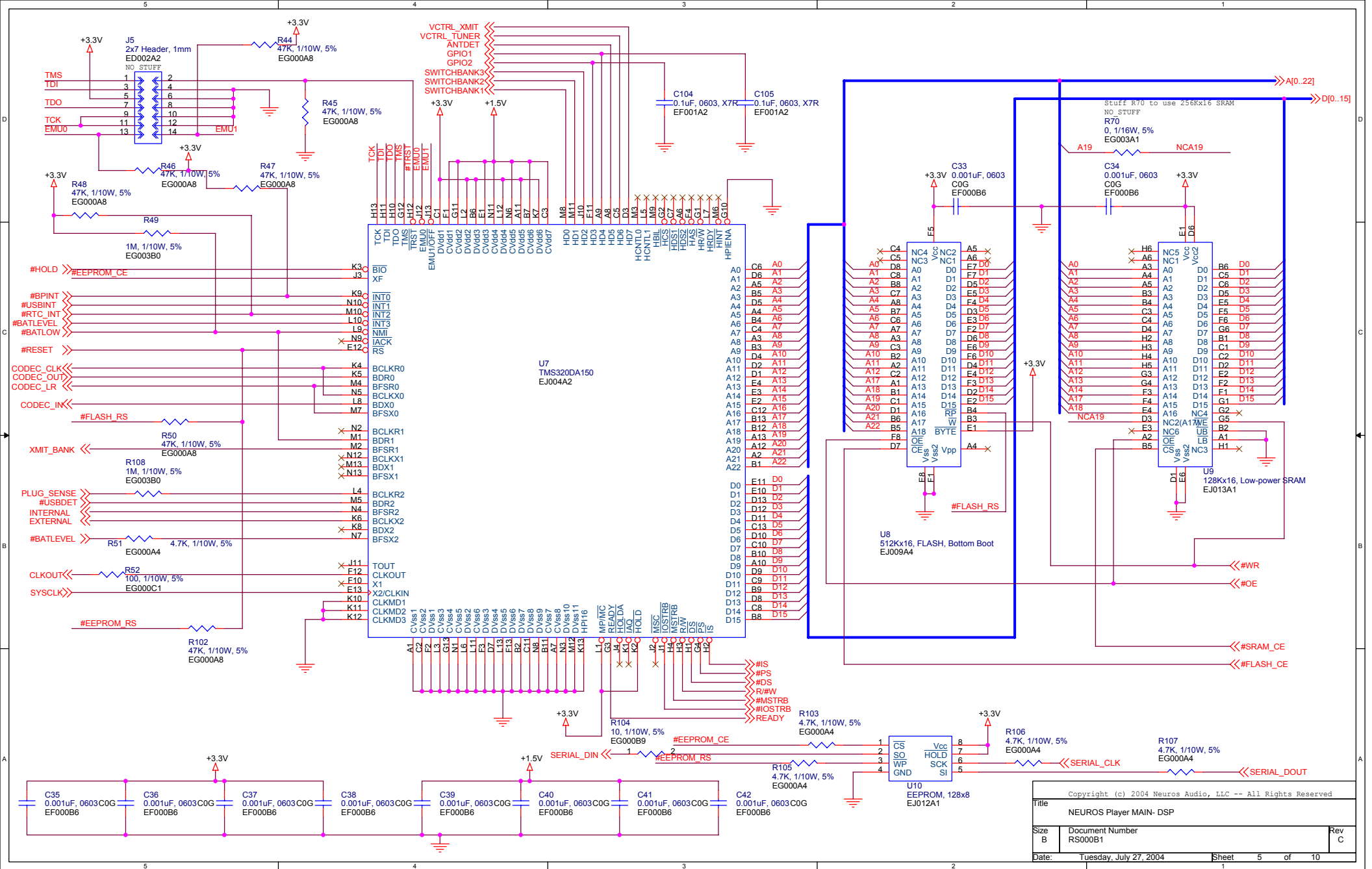
Copyright (c) 2004 Neuros Audio, LLC -- All Rights Reserved

Title NEUROS Player Main - Battery Monitor & LEDs		
Size B	Document Number RS000B1	Rev C
Date: Tuesday, July 27, 2004	Sheet 3	of 10

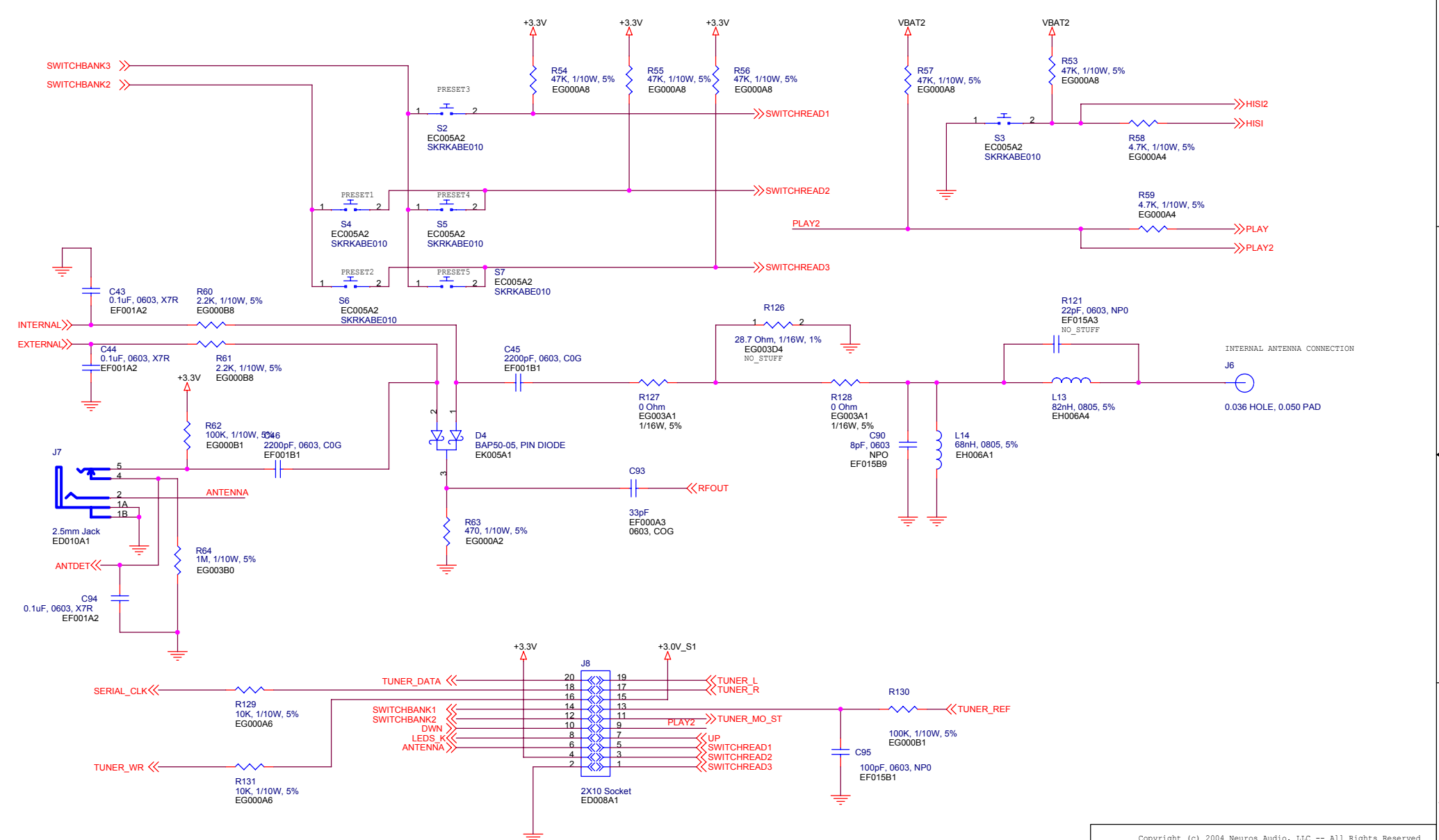


Copyright (c) 2004 Neuros Audio, LLC -- All Rights Reserved

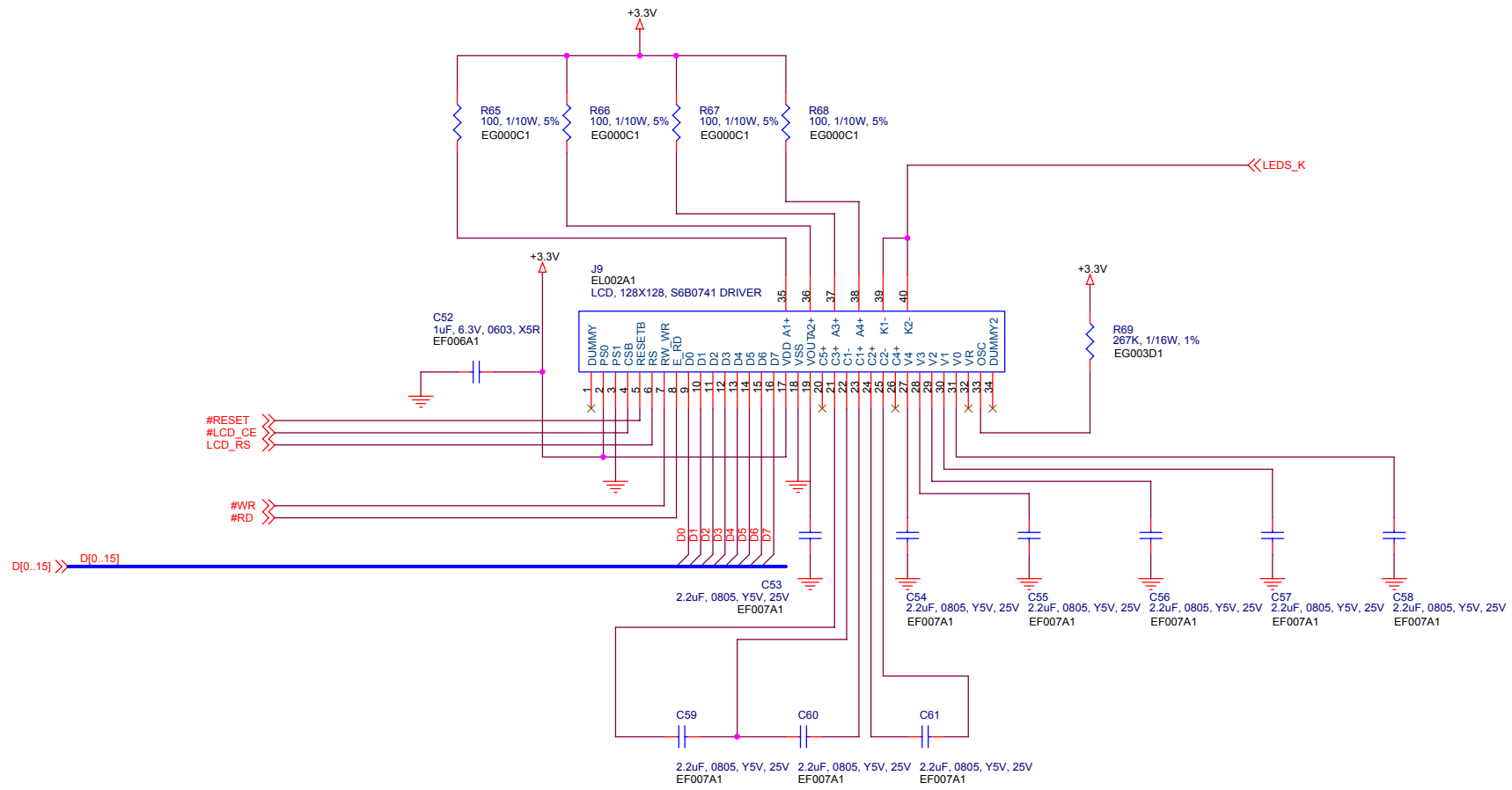
Title		NEURO Player Main -- CPLD	
Size	Document Number	Rev	
B	RS000B1	C	
Date:	Tuesday, July 27, 2004	Sheet	4 of 10



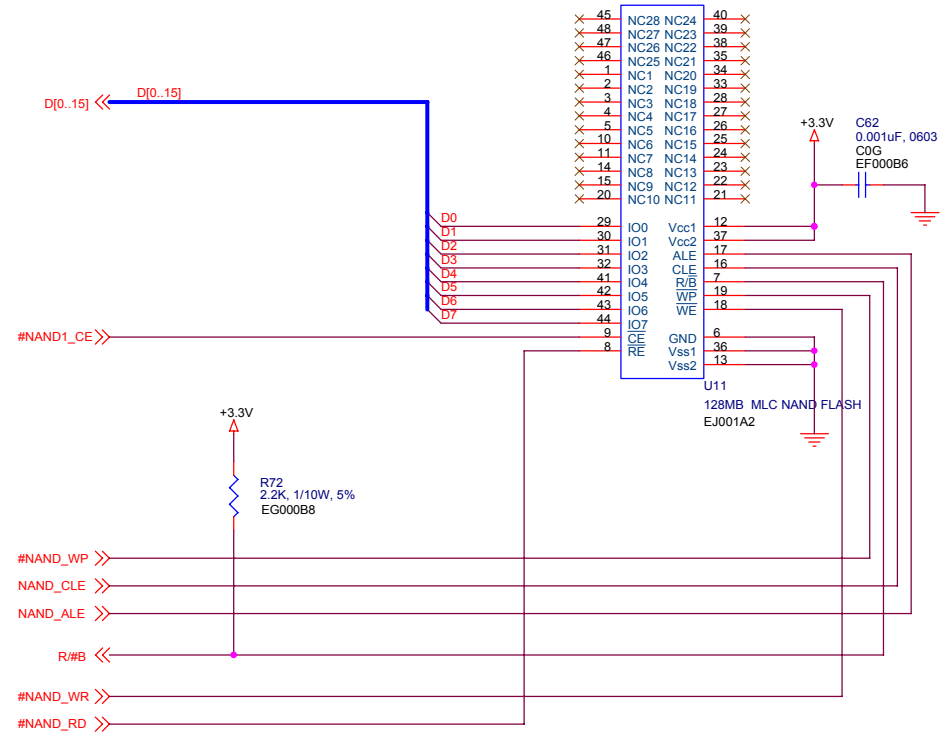
Copyright (c) 2004 Neuros Audio, LLC -- All Rights Reserved		
Title NEUROS Player MAIN- DSP		
Size B	Document Number RS000B1	Rev C
Date: Tuesday, July 27, 2004	Sheet 5	of 10



Copyright (c) 2004 Neuros Audio, LLC -- All Rights Reserved		
Title NEUROS Player Main - Keys		
Size B	Document Number RS000B1	Rev C
Date: Tuesday, July 27, 2004	Sheet 6	of 10

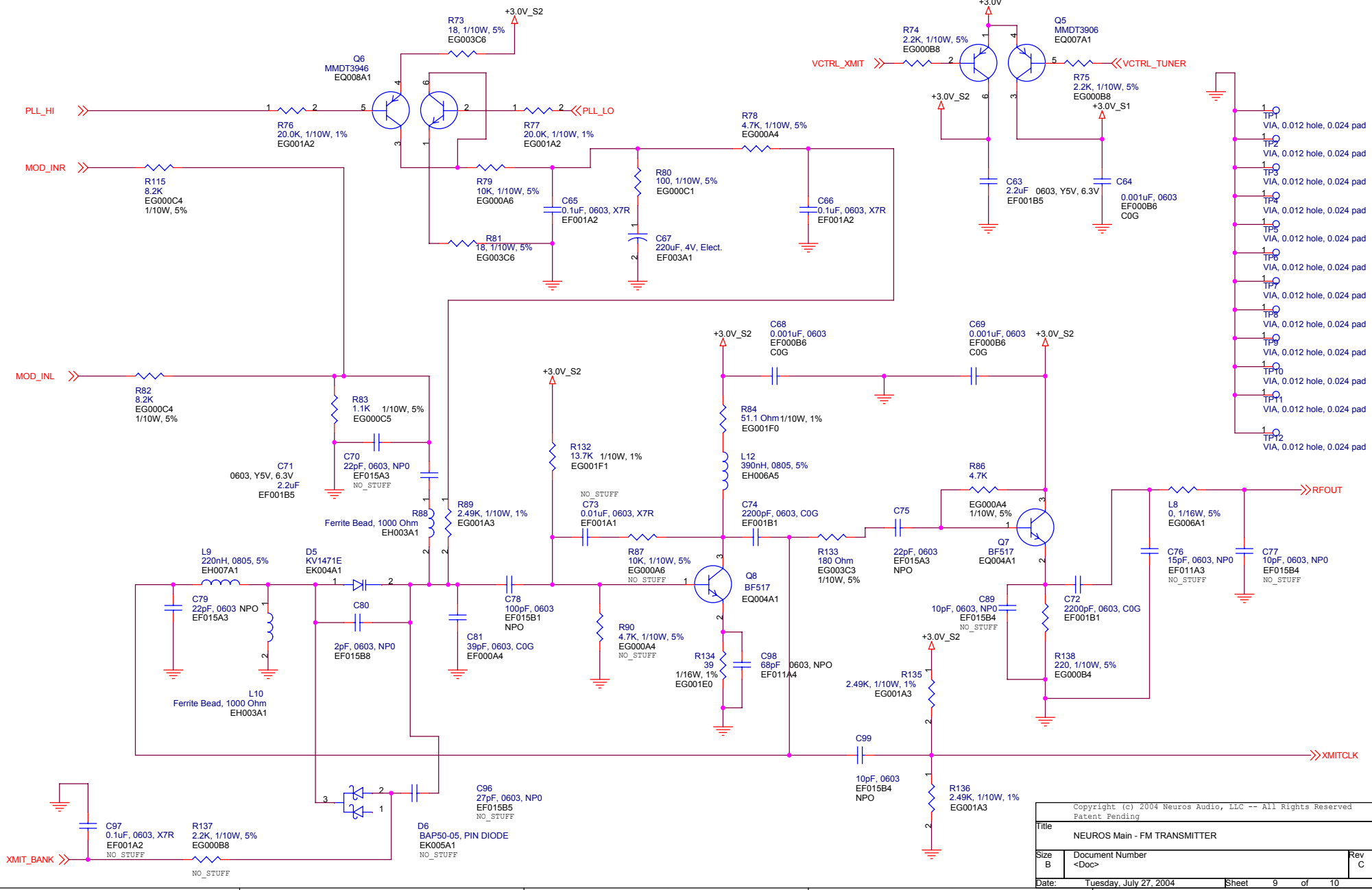


Copyright (c) 2004 Neuros Audio, LLC -- All Rights Reserved		
Title NEUROS Player Main- LCD Interface		
Size B	Document Number RS000B1	Rev C
Date: Tuesday, July 27, 2004	Sheet 1	7 of 10

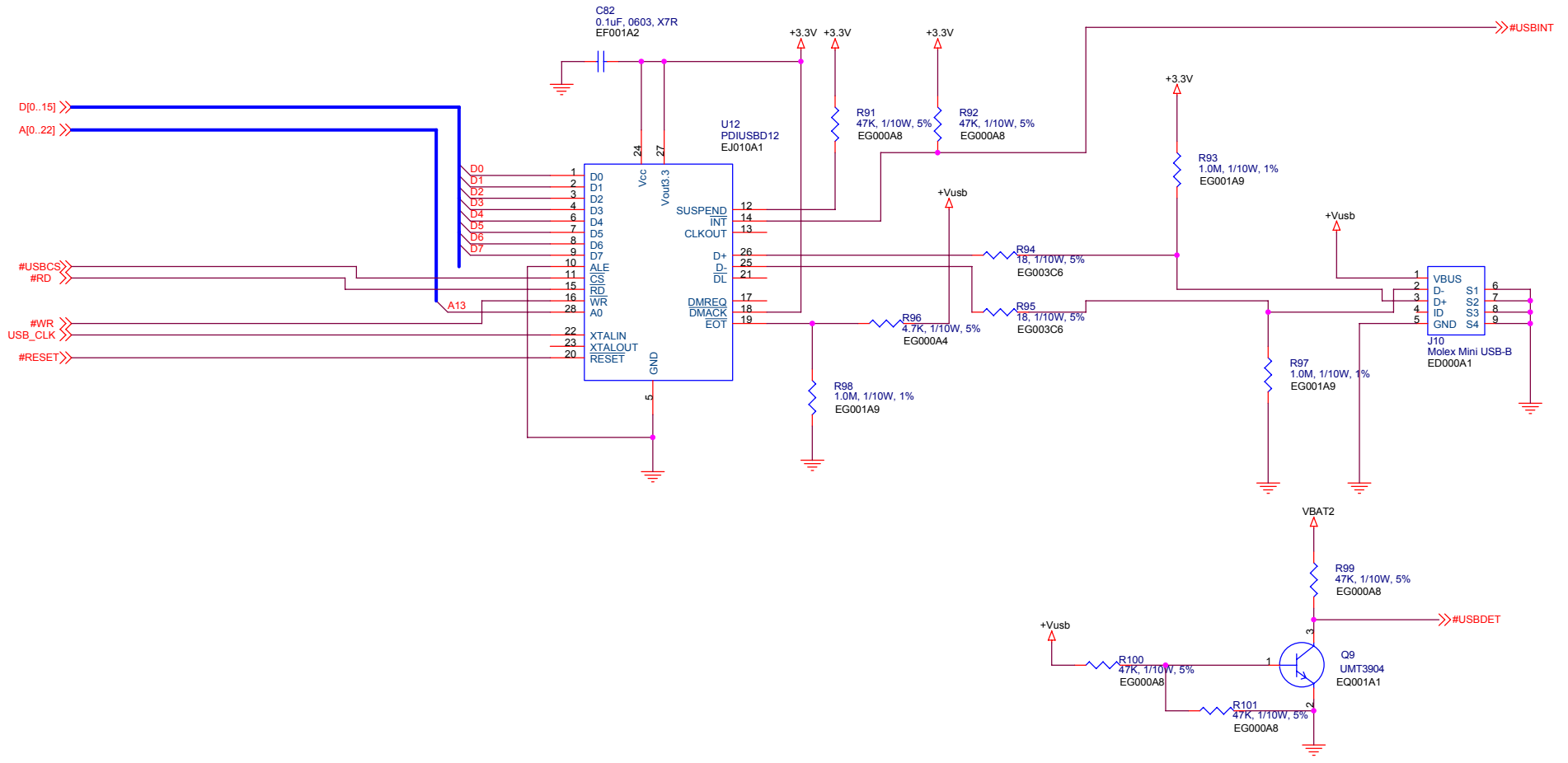


Copyright (c) 2004 Neuros Audio, LLC -- All Rights Reserved		
Title NEUROS Player Main- NAND FLASH		
Size B	Document Number RS000B1	Rev C
Date: Tuesday, July 27, 2004	Sheet 1	of 8





Copyright (c) 2004 Neuros Audio, LLC -- All Rights Reserved Patent Pending		
Title NEUROS Main - FM TRANSMITTER		
Size B	Document Number <Doc>	Rev C
Date: Tuesday, July 27, 2004	Sheet 9	of 10



Copyright (c) 2004 Neuros Audio, LLC -- All Rights Reserved		
Title NEUROS MAIN - USB		
Size B	Document Number RS000B1	Rev C
Date: Tuesday, July 27, 2004	Sheet 10	of 10