

Low-Voltage 1.1 GHz PLL Frequency Synthesizer

Includes On-Board 64/65 Prescaler

The MC145192 is a low-voltage single-package synthesizer with serial interface capable of direct usage up to 1.1 GHz. A special architecture makes this PLL very easy to program because a byte-oriented format is utilized. Due to the patented BitGrabber™ registers, no address/steering bits are required for *random access* of the three registers. Thus, tuning can be accomplished via a 3-byte serial transfer to the 24-bit A register. The interface is both SPI and MICROWIRE™ compatible.

The device features a single-ended current source/sink phase detector A output and a double-ended phase detector B output. Both phase detectors have linear transfer functions (no dead zones). The maximum current of the single-ended phase detector output is determined by an external resistor tied from the Rx pin to ground. This current can be varied via the serial port.

The MC145192 phase/frequency detector B ϕ_R and ϕ_V outputs can be powered from 2.7 to 5.5 V. This is optimized for 3.0 V systems. The phase/frequency detector A PD_{OUT} output must be powered from 4.5 to 5.5 V, and is optimized for a 5 volt supply.

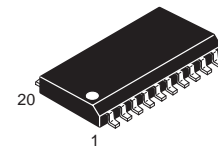
This part includes a differential RF input which may be operated in a single-ended mode. Also featured are on-board support of an external crystal and a programmable reference output. The R, A, and N counters are fully programmable. The C register (configuration register) allows the part to be configured to meet various applications. A patented feature allows the C register to shut off unused outputs, thereby minimizing system noise and interference.

In order to have consistent lock times and prevent erroneous data from being loaded into the counters, on-board circuitry synchronizes the update of the A register if the A or N counters are loading. Similarly, an update of the R register is synchronized if the R counter is loading.

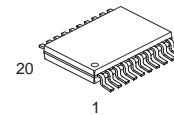
The double-buffered R register allows new divide ratios to be presented to the three counters (R, A, and N) simultaneously.

- Maximum Operating Frequency: 1100 MHz @ $V_{in} = 200$ mV p-p
- Operating Supply Current: 6 mA Nominal at 2.7 V
- Operating Supply Voltage Range (V_{DD} and V_{CC} Pins): 2.7 to 5.0 V
- Operating Supply Voltage Range of Phase Frequency Detector A (V_{PD} Pin) = 4.5 to 5.5 V
- Operating Supply Voltage Range of Phase Detector B (V_{PD} Pin) = 2.7 to 5.5 V
- Current Source/Sink Phase Detector Output Capability: 2 mA Maximum
- Gain of Current Source/Sink Phase/Frequency Detector Controllable via Serial Port
- Operating Temperature Range: -40° to 85°C
- R Counter Division Range: (1 and) 5 to 8191
- N Counter Division Range: 5 to 4095
- A Counter Division Range: 0 to 63
- Dual-Modulus Capability Provides Total Division up to 262,143
- High-Speed Serial Interface: 2 Megabits per Second
- Output A Pin, When Configured as Data Out, Permits Cascading of Devices
- Two General-Purpose Digital Outputs — Output A: Totem-Pole (Push-Pull) with Four Output Modes
Output B: Open-Drain
- Power-Saving Standby Feature with Patented Orderly Recovery for Minimizing Lock Times, Standby Current: 30 μ A

MC145192



F SUFFIX
SOG PACKAGE
CASE 751J

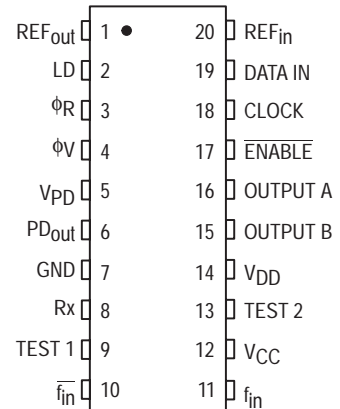


DT SUFFIX
TSSOP
CASE 948D

ORDERING INFORMATION

MC145192F SOG Package
MC145192DT TSSOP

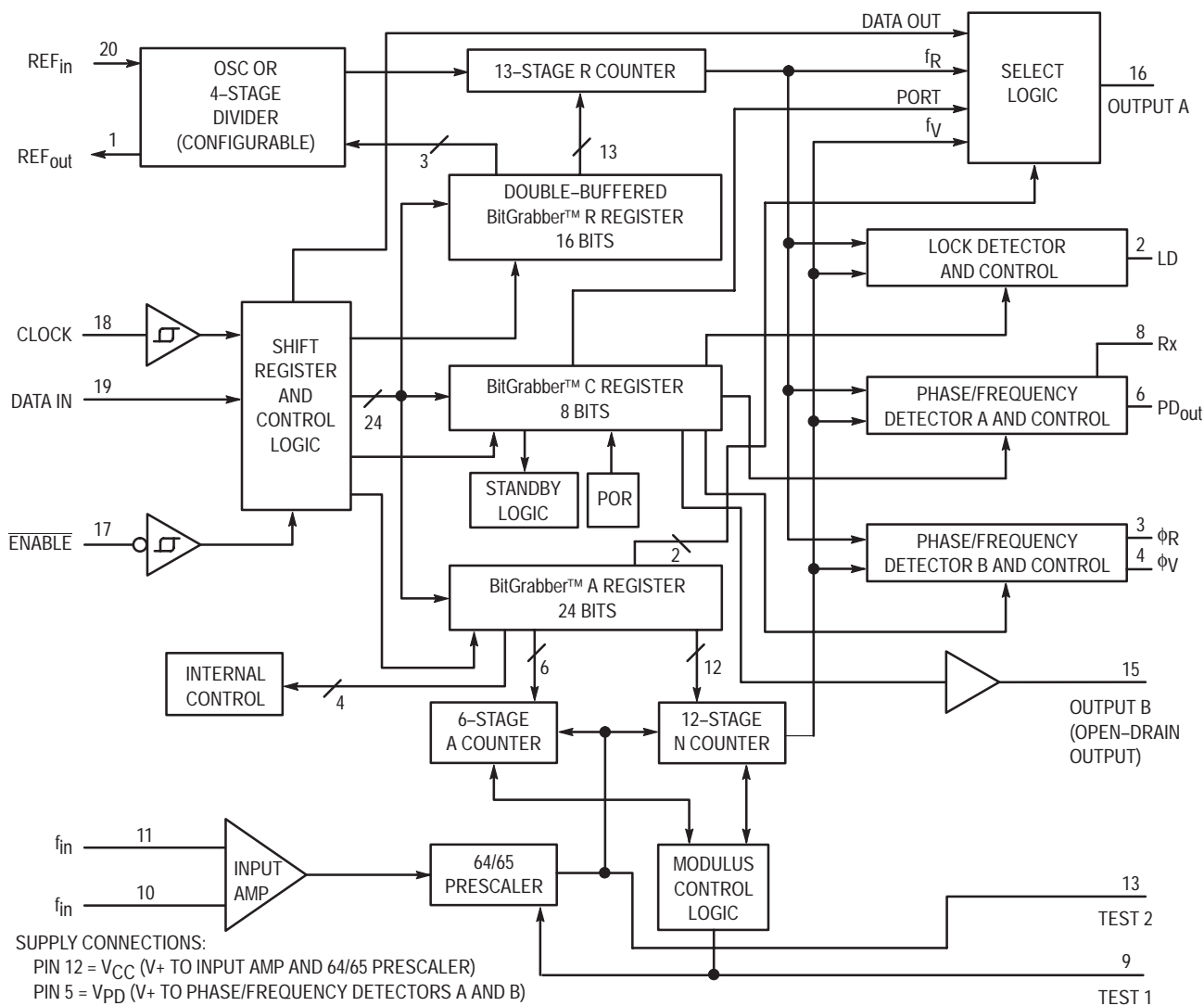
PIN ASSIGNMENT



NOT RECOMMENDED FOR NEW DESIGN
DEVICES TO BE PHASED OUT.
Consider MC145193 for New Designs.

BitGrabber is a trademark of Motorola Inc. MICROWIRE is a trademark of National Semiconductor Corp.

BLOCK DIAGRAM



MAXIMUM RATINGS* (Voltages Referenced to GND, unless otherwise stated)

Symbol	Parameter	Value	Unit
V_{CC}, V_{DD}	DC Supply Voltage (Pins 12 and 14)	- 0.5 to + 6.0	V
V_{PD}	DC Supply Voltage (Pin 5)	$V_{DD} - 0.5$ to + 6.0	V
V_{in}	DC Input Voltage	- 0.5 to $V_{DD} + 0.5$	V
V_{out}	DC Output Voltage, except Output B, PD_{out}, ϕ_R, ϕ_V	- 0.5 to $V_{DD} + 0.5$ - 0.5 to $V_{PD} + 0.5$	V
I_{in}, I_{PD}	DC Input Current, per Pin (Includes V_{PD})	± 10	mA
I_{out}	DC Output Current, per Pin	± 20	mA
I_{DD}	DC Supply Current, V_{DD} and GND Pins	± 30	mA
P_D	Power Dissipation, per Package	300	mW
T_{stg}	Storage Temperature	- 65 to + 150	$^{\circ}C$
T_L	Lead Temperature, 1 mm from Case for 10 Seconds	260	$^{\circ}C$

* Maximum Ratings are those values beyond which damage to the device may occur. Functional operation should be restricted to the limits in the Electrical Characteristics tables or Pin Descriptions section.

This device contains protection circuitry to guard against damage due to high static voltages or electric fields. However, precautions must be taken to avoid applications of any voltage higher than maximum rated voltages to this high-impedance circuit.

ELECTRICAL CHARACTERISTICS ($V_{DD} = V_{CC} = 2.7$ to 5.0 V, Voltages Referenced to GND, $T_A = -40^\circ$ to 85°C , unless otherwise stated; Phase/Frequency Detector A $V_{PD} = 4.5$ to 5.5 V with $V_{DD} \leq V_{PD}$; Phase/Frequency Detector B $V_{PD} = 2.7$ to 5.5 V with $V_{DD} \leq V_{PD}$)

Symbol	Parameter	Test Condition	Guaranteed Limit	Unit
V_{IL}	Maximum Low-Level Input Voltage (Data In, Clock, $\overline{\text{Enable}}$, REF_{in})	Device in Reference Mode, DC Coupled	$0.2 \times V_{DD}$	V
V_{IH}	Minimum High-Level Input Voltage (Data In, Clock, $\overline{\text{Enable}}$, REF_{in})	Device in Reference Mode, DC Coupled	$0.8 \times V_{DD}$	V
V_{Hys}	Minimum Hysteresis Voltage (Clock, Enable)	$V_{DD} = 2.7$ V $V_{DD} = 5.0$ V	100 300	mV
V_{OL}	Maximum Low-Level Output Voltage (REF_{out} , Output A)	$I_{out} = 20 \mu\text{A}$, Device in Reference Mode	0.1	V
V_{OH}	Minimum High-Level Output Voltage (REF_{out} , Output A)	$I_{out} = -20 \mu\text{A}$, Device in Reference Mode	$V_{DD} - 0.1$	V
I_{OL}	Minimum Low-Level Output Current (REF_{out} , LD)	$V_{out} = 0.4$ V	0.25	mA
I_{OL}	Minimum Low-Level Output Current (ϕ_R , ϕ_V)	$V_{out} = 0.4$ V V_{DD} , $V_{PD} = 2.7$ V	0.36	mA
I_{OL}	Minimum Low-Level Output Current (Output A)	$V_{out} = 0.4$ V	0.6	mA
I_{OL}	Minimum Low-Level Output Current (Output B)	$V_{out} = 0.4$ V	1.0	mA
I_{OH}	Minimum High-Level Output Current (REF_{out} , LD)	$V_{out} = V_{DD} - 0.4$ V	-0.25	mA
I_{OH}	Minimum High-Level Output Current (ϕ_R , ϕ_V)	$V_{out} = V_{PD} - 0.4$ V V_{DD} , $V_{PD} = 2.7$ V	-0.36	mA
I_{OH}	Minimum High-Level Output Current (Output A Only)	$V_{out} = V_{DD} - 0.4$ V	-0.35	mA
I_{in}	Maximum Input Leakage Current (Data In, Clock, $\overline{\text{Enable}}$, REF_{in})	$V_{in} = V_{DD}$ or GND, Device in XTAL Mode	± 1.0	μA
I_{in}	Maximum Input Current (REF_{in})	$V_{in} = V_{DD}$ or GND, Device in Reference Mode	± 150	μA
I_{OZ}	Maximum Output Leakage Current (PD_{out}) (Output B)	$V_{out} = V_{PD} - 0.5$ V or 0.5 V, Output in High-Impedance State	± 200	nA
		Output in High-Impedance State	± 10	μA
I_{STBY}	Maximum Standby Supply Current ($V_{DD} + V_{PD}$ Pins)	$V_{in} = V_{DD}$ or GND; Outputs Open; Device in Standby Mode, Shut-Down Crystal Mode or REF_{out} -Static-Low Reference Mode; Output B Controlling V_{CC} per Figure 22	30	μA
I_{PD}	Maximum Phase Detector Quiescent Current (V_{PD} Pin)	Bit C6 = High Which Selects Phase Detector A, $\text{PD}_{out} = \text{Open}$, $\text{PD}_{out} = \text{Static Low or High}$, Bit C4 = Low Which is NOT Standby, $I_{RX} = 113 \mu\text{A}$, $V_{PD} = 5.5$ V	600	μA
		Bit C6 = Low Which Selects Phase Detector B, ϕ_R and $\phi_V = \text{Open}$, ϕ_R and $\phi_V = \text{Static Low or High}$, Bit C4 = Low Which is NOT Standby	30	
I_T	Total Operating Supply Current ($V_{DD} + V_{PD} + V_{CC}$ Pins)	$f_{in} = 1.1$ GHz; $\text{REF}_{in} = 13$ MHz @ 1 V p-p; Output A = Inactive and No Connect; $V_{DD} = V_{CC}$, REF_{out} , ϕ_V , ϕ_R , PD_{out} , LD = No Connect; Data In, $\overline{\text{Enable}}$, Clock = V_{DD} or GND, Phase Detector A Off	*	mA

* The nominal values are:

6 mA at $V_{DD} = 2.7$ V and $V_{PD} = 2.7$ V

9 mA at $V_{DD} = 5.0$ V and $V_{PD} = 5.5$ V

These are not guaranteed limits.

ANALOG CHARACTERISTICS — CURRENT SOURCE/SINK OUTPUT — PD_{out}

($I_{out} \leq 2 \text{ mA}$, $V_{DD} = V_{CC} = 2.7 \text{ to } 5.0 \text{ V}$, Voltages Referenced to GND, $V_{DD} = V_{CC} \leq V_{PD}$)

Parameter	Test Condition	V_{PD}	Guaranteed Limit	Unit
Maximum Source Current Variation Part-to-Part	$V_{out} = 0.5 \times V_{PD}$	4.5	± 20	%
		5.5	± 20	
Maximum Sink-versus-Source Mismatch (Note 3)	$V_{out} = 0.5 \times V_{PD}$	4.5	12	%
		5.5	12	
Output Voltage Range (Note 3)	$I_{out} \text{ variation} \leq 20\%$	4.5	0.5 to 4.0	V
		5.5	0.5 to 5.0	

NOTES:

1. Percentages calculated using the following formula: (Maximum Value – Minimum Value) / Maximum Value.
2. See Rx Pin Description for external resistor values.
3. This parameter is guaranteed for a given temperature within -40° to 85°C .

AC INTERFACE CHARACTERISTICS

($V_{DD} = V_{CC} = 2.7 \text{ to } 5.0 \text{ V}$, $T_A = -40^\circ$ to 85°C , $C_L = 50 \text{ pF}$, Input $t_r = t_f = 10 \text{ ns}$, $V_{PD} = 2.7 \text{ to } 5.5 \text{ V}$ with $V_{DD} \leq V_{PD}$)

Symbol	Parameter	Guaranteed Limit	Unit
f_{clk}	Serial Data Clock Frequency (Figure 1) NOTE: Refer to Clock t_w below	dc to 2.0	MHz
t_{PLH} , t_{PHL}	Maximum Propagation Delay, Clock to Output A (Selected as Data Out) (Figures 1 and 5)	200	ns
t_{PLH} , t_{PHL}	Maximum Propagation Delay, $\overline{\text{Enable}}$ to Output A (Selected as Port) (Figures 2 and 5)	200	ns
t_{PZL} , t_{PLZ}	Maximum Propagation Delay, $\overline{\text{Enable}}$ to Output B (Figures 2 and 6)	200	ns
t_{TLH} , t_{THL}	Maximum Output Transition Time, Output A and Output B; t_{THL} only, on Output B (Figures 1, 5, and 6)	200	ns
C_{in}	Maximum Input Capacitance — Data In, Clock, $\overline{\text{Enable}}$	10	pF

TIMING REQUIREMENTS ($V_{DD} = V_{CC} = 2.7 \text{ to } 5.0 \text{ V}$, $T_A = -40^\circ$ to 85°C , Input $t_r = t_f = 10 \text{ ns}$ unless otherwise indicated)

Symbol	Parameter	Guaranteed Limit	Unit
t_{su} , t_h	Minimum Setup and Hold Times, Data In versus Clock (Figure 3)	50	ns
t_{su} , t_h , t_{rec}	Minimum Setup, Hold and Recovery Times, $\overline{\text{Enable}}$ versus Clock (Figure 4)	100	ns
t_w	Minimum Pulse Width, $\overline{\text{Enable}}$ (Figure 4)	*	cycles
t_w	Minimum Pulse Width, Clock (Figure 1)	250	ns
t_r , t_f	Maximum Input Rise and Fall Times, Clock (Figure 1)	100	μs

* The minimum limit is 3 REF_{in} cycles or 195 f_{in} cycles, whichever is greater.

SWITCHING WAVEFORMS

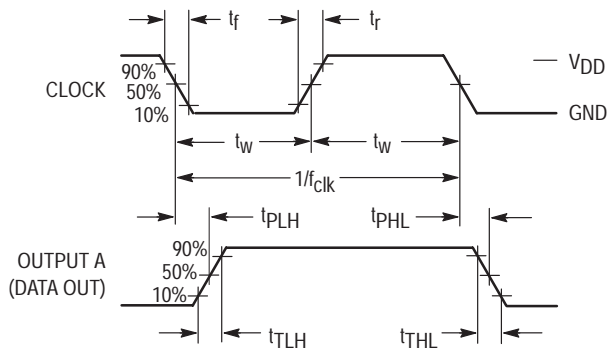


Figure 1.

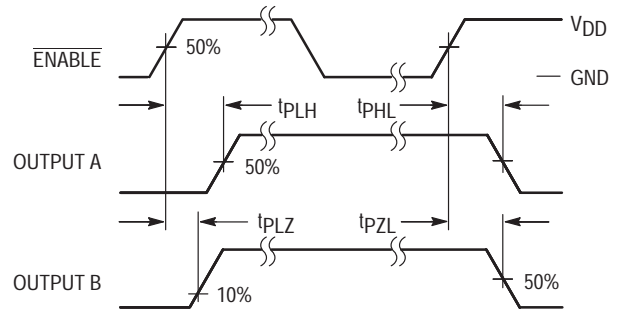


Figure 2.

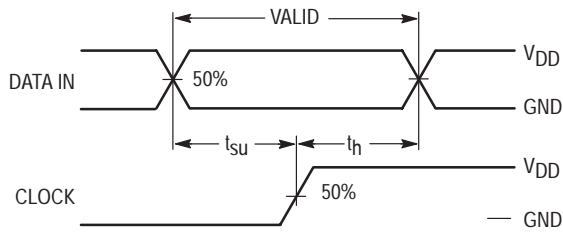


Figure 3.

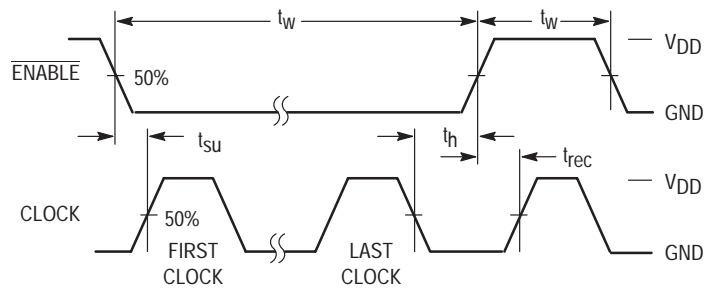
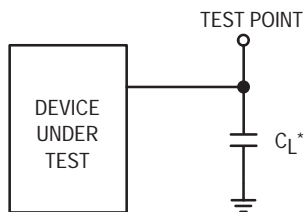
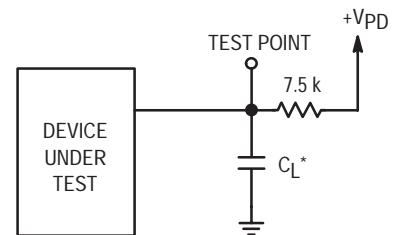


Figure 4.



* Includes all probe and fixture capacitance.

Figure 5. Test Circuit



* Includes all probe and fixture capacitance.

Figure 6. Test Circuit

LOOP SPECIFICATIONS ($V_{DD} = V_{CC} = 2.7$ to 5.0 V unless otherwise indicated, $T_A = -40^\circ$ to 85°C)

Symbol	Parameter	Test Condition	Guaranteed Operating Range		Unit
			Min	Max	
V_{in}	Input Voltage Range, f_{in} (Figure 7)	$100\text{ MHz} \leq f_{in} < 250\text{ MHz}$ $250\text{ MHz} \leq f_{in} \leq 1100\text{ MHz}$	400 200	1500 1500	mV p-p
f_{ref}	Input Frequency, REF_{in} Externally Driven in Reference Mode (Figure 8)	$V_{in} \geq 400\text{ mV p-p}$	$V_{DD} = 2.7\text{ V}$: 1 $V_{DD} = 3.0\text{ V}$: 4.5 $V_{DD} = 3.5\text{ V}$: 5.5 $V_{DD} = 4.5\text{ to }5\text{ V}$: 12	20 20 20 27	MHz
		$V_{in} \geq 1\text{ V p-p}$	$V_{DD} = 2.7\text{ V}$: 1 $V_{DD} = 3.0\text{ V}$: 1.5 $V_{DD} = 3.5\text{ V}$: 2 $V_{DD} = 4.5\text{ to }5\text{ V}$: 4.5	20 20 20 27	
f_{XTAL}	Crystal Frequency, Crystal Mode (Figure 9)	$C_1 \leq 30\text{ pF}$, $C_2 \leq 30\text{ pF}$, Includes Stray Capacitance	2	10	MHz
f_{out}	Output Frequency, REF_{out} (Figures 10 and 12)	$C_L = 30\text{ pF}$	dc	5	MHz
f	Operating Frequency of the Phase Detectors		dc	1	MHz
t_w	Output Pulse Width, ϕ_R , ϕ_V , and LD (Figures 11 and 12)	f_R in Phase with f_V , $C_L = 50\text{ pF}$, $V_{PD} = 2.7\text{ V}$, $V_{DD} = V_{CC} = 2.7\text{ V}$	20	140	ns
t_{TLH} , t_{THL}	Output Transition Times, LD, ϕ_V , and ϕ_R (Figures 11 and 12)	$C_L = 50\text{ pF}$, $V_{PD} = 2.7\text{ V}$, $V_{DD} = V_{CC} = 2.7\text{ V}$	—	80	ns
C_{in}	Input Capacitance, REF_{in}		—	5	pF

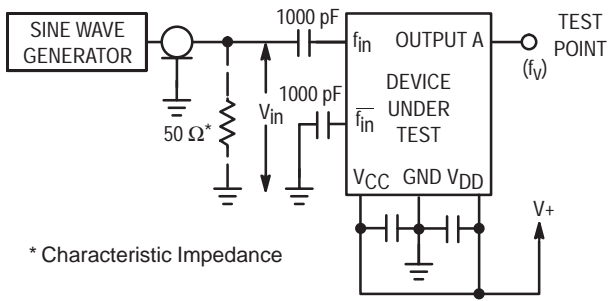


Figure 7. Test Circuit

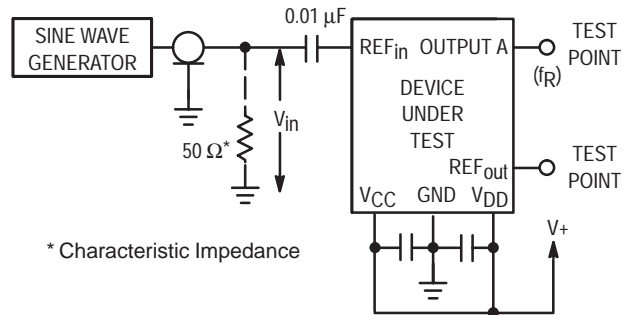


Figure 8. Test Circuit—Reference Mode

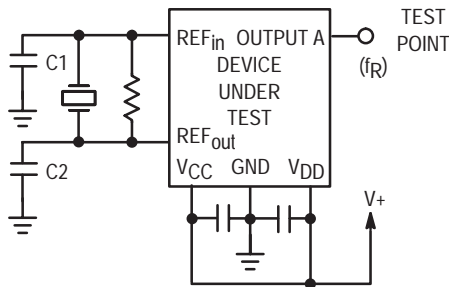


Figure 9. Test Circuit—Crystal Mode

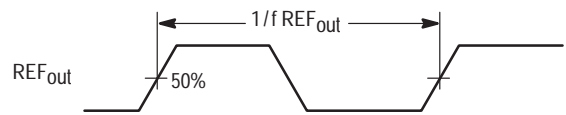


Figure 10. Switching Waveform

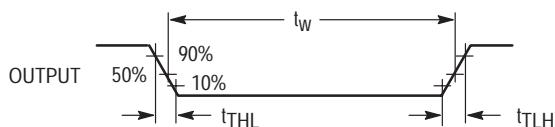


Figure 11. Switching Waveform

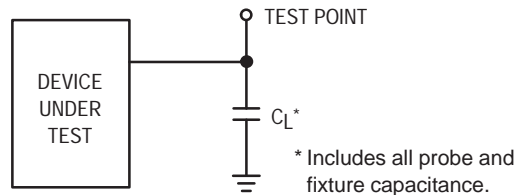
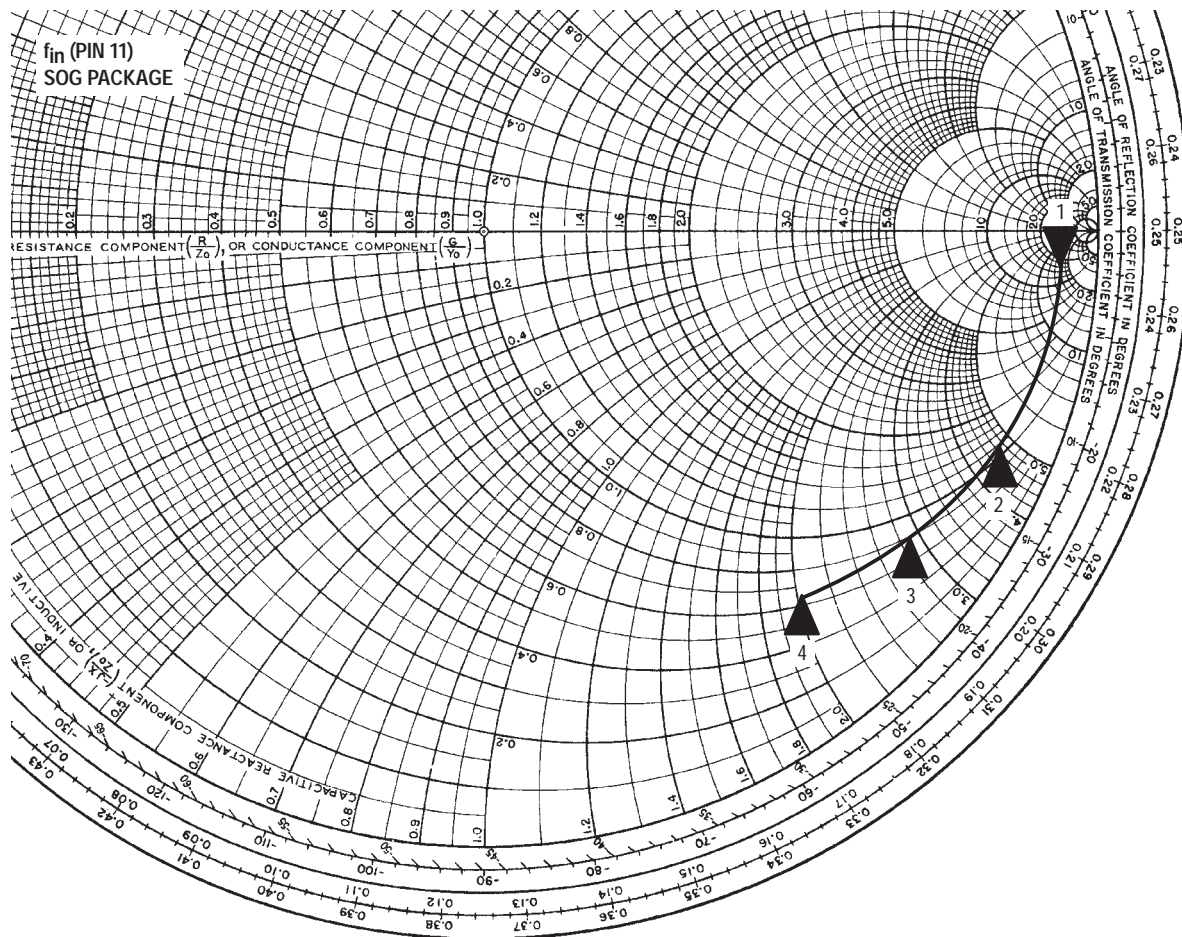


Figure 12. Test Circuit



Marker	Frequency (MHz)	Resistance (Ω)	Capacitive Reactance (Ω)	Capacitance (pF)
1	100	574	-881	1.81
2	500	57.9	-242	1.31
3	800	38.3	-148	1.34
4	1100	31.6	-103	1.40

Figure 13. Normalized Input Impedance at f_{in} — Series Format ($R + jX$) (100 MHz to 1100 MHz)

PIN DESCRIPTIONS

DIGITAL INTERFACE PINS

Data In (Pin 19)

Serial Data Input. The bit stream begins with the MSB and is shifted in on the low-to-high transition of Clock. The bit pattern is 1 byte (8 bits) long to access the C or configuration register, 2 bytes (16 bits) to access the first buffer of the R register, or 3 bytes (24 bits) to access the A register (see Table 1). The values in the C, R, and A registers do not change during shifting because the transfer of data to the registers is controlled by $\overline{\text{Enable}}$.

CAUTION

The value programmed for the N-counter must be greater than or equal to the value of the A-counter.

The 13 LSBs of the R register are double-buffered. As indicated above, data is latched into the first buffer on a 16-bit transfer. (The 3 MSBs are not double-buffered and have an immediate effect after a 16-bit transfer.) The second buffer of the R register contains the 13 bits for the R counter. This second buffer is loaded with the contents of the first buffer when the A register is loaded (a 24-bit transfer). This allows presenting new values to the R, A, and N counters simultaneously. If this is not required, then the 16-bit transfer may be followed by pulsing $\overline{\text{Enable}}$ low with no signal on the Clock pin. This is an alternate method of transferring data to the second buffer of the R register. See Figure 17.

The bit stream needs neither address nor steering bits due to the innovative BitGrabber registers. Therefore, all bits in the stream are available to be data for the three registers. Random access of any register is provided. That is, the registers may be accessed in any sequence. Data is retained in the registers over a supply range of 2.7 to 5.0 V. The formats are shown in Figures 15, 16, and 17.

Data In typically switches near 50% of V_{DD} to maximize noise immunity. This input can be directly interfaced to CMOS devices with outputs guaranteed to switch near rail-to-rail. When interfacing to NMOS or TTL devices, either a level shifter (MC74HC14A, MC14504B) or pull-up resistor of 1 k Ω to 10 k Ω must be used. Parameters to consider when sizing the resistor are worst-case I_{OL} of the driving device, maximum tolerable power consumption, and maximum data rate.

Table 1. Register Access

(MSBs are shifted in first, C0, R0, and A0 are the LSBs)

Number of Clocks	Accessed Register	Bit Nomenclature
8	C Register	C7, C6, C5, . . . , C0
16	R Register	R15, R14, R13, . . . , R0
24	A Register	A23, A22, A21, . . . , A0
Other Values \leq 32	Not Allowed	
Values $>$ 32	See Figures 24 to 27	

Clock (Pin 18)

Serial Data Clock Input. Low-to-high transitions on Clock shift bits available at the Data pin, while high-to-low transitions shift bits from Output A (when configured as Data Out, see Pin 16). The 24-1/2-stage shift register is static,

allowing clock rates down to dc in a continuous or intermittent mode.

Eight clock cycles are required to access the C register. Sixteen clock cycles are needed for the first buffer of the R register. Twenty-four cycles are used to access the A register. See Table 1 and Figures 15, 16, and 17. The number of clocks required for cascaded devices is shown in Figures 25 through 27.

Clock typically switches near 50% of V_{DD} and has a Schmitt-triggered input buffer. Slow Clock rise and fall times are allowed. See the last paragraph of **Data In** for more information.

NOTE

To guarantee proper operation of the power-on reset (POR) circuit, the Clock pin must be held at GND (with $\overline{\text{Enable}}$ being a don't care) or $\overline{\text{Enable}}$ must be held at the potential of the V+ pin (with Clock being a don't care) during power-up. As an alternative, the bit sequence of Figure 18 may be used.

$\overline{\text{Enable}}$ (Pin 17)

Active-Low Enable Input. This pin is used to activate the serial interface to allow the transfer of data to/from the device. When $\overline{\text{Enable}}$ is in an inactive high state, shifting is inhibited and the port is held in the initialized state. To transfer data to the device, $\overline{\text{Enable}}$ (which must start inactive high) is taken low, a serial transfer is made via Data In and Clock, and $\overline{\text{Enable}}$ is taken back high. The low-to-high transition on $\overline{\text{Enable}}$ transfers data to the C or A registers and first buffer of the R register, depending on the data stream length per Table 1.

NOTE

Transitions on $\overline{\text{Enable}}$ must not be attempted while Clock is high. This will put the device out of synchronization with the microcontroller. Resynchronization occurs when $\overline{\text{Enable}}$ is high and Clock is low.

This input is also Schmitt-triggered and switches near 50% of V_{DD} , thereby minimizing the chance of loading erroneous data into the registers. See the last paragraph of **Data In** for more information.

For POR information, see the note for the **Clock pin**.

Output A (Pin 16)

Configurable Digital Output. Output A is selectable as f_R , f_V , Data Out, or Port. Bits A22 and A23 in the A register control the selection; see Figure 16.

If A23 = A22 = high, Output A is configured as f_R . This signal is the buffered output of the 13-stage R counter. The f_R signal appears as normally low and pulses high. The f_R signal can be used to verify the divide ratio of the R counter. This ratio extends from 5 to 8191 and is determined by the binary value loaded into bits R0 through R12 in the R register. Also, direct access to the phase detectors via the REF_{in} pin is allowed by choosing a divide value of one. See Figure 17. The maximum frequency at which the phase detectors operate is 1 MHz. Therefore, the frequency of f_R should not exceed 1 MHz.

If A23 = high and A22 = low, Output A is configured as f_V . This signal is the buffered output of the 12-stage N counter.

The f_y signal appears as normally low and pulses high. The f_y signal can be used to verify the operation of the prescaler, A counter, and N counter. The divide ratio between the f_{in} input and the f_y signal is $N \times 64 + A$. N is the divide ratio of the N counter and A is the divide ratio of the A counter. These ratios are determined by bits loaded into the A register. See Figure 16. The maximum frequency at which the phase detectors operate is 1 MHz. Therefore, the frequency of f_y should not exceed 1 MHz.

If $A_{23} = \text{low}$ and $A_{22} = \text{high}$, Output A is configured as Data Out. This signal is the serial output of the 24–1/2–stage shift register. The bit stream is shifted out on the high–to–low transition of the Clock input. Upon power up, Output A is automatically configured as Data Out to facilitate cascading devices.

If $A_{23} = A_{22} = \text{low}$, Output A is configured as Port. This signal is a general–purpose digital output which may be used as an MCU port expander. This signal is low when the Port bit (C1) of the C register is low, and high when the Port bit is high.

Output B (Pin 15)

Open–Drain Digital Output. This signal is a general–purpose digital output which may be used as an MCU port expander. This signal is low when the Out B bit (C0) of the C register is low. When the Out B bit is high, Output B assumes the high–impedance state. Output B may be pulled up through an external resistor or active circuitry to any voltage less than or equal to the potential of the V_{PD} pin. Note: the maximum voltage allowed on the V_{PD} pin is 5.5 V for the MC145192.

Upon power–up, power–on reset circuitry forces Output B to a low level.

REFERENCE PINS

REF_{in} and REF_{out} (Pins 20 and 1)

Configurable Pins for a Crystal or an External Reference. This pair of pins can be configured in one of two modes: the crystal mode or the reference mode. Bits R13, R14, and R15 in the R register control the modes as shown in Figure 17.

In crystal mode, these pins form a reference oscillator when connected to terminals of an external parallel–resonant crystal. Frequency–setting capacitors of appropriate values as recommended by the crystal supplier are connected from each of the two pins to ground (up to a maximum of 30 pF each, including stray capacitance). An external resistor of 1 M Ω to 15 M Ω is connected directly across the pins to ensure linear operation of the amplifier. The device is designed to operate with crystals up to 10 MHz; the required connections are shown in Figure 9. To turn on the oscillator, bits R15, R14, and R13 must have an octal value of one (001 in binary). This is the active–crystal mode shown in Figure 17. In this mode, the crystal oscillator runs and the R Counter divides the crystal frequency, unless the part is in standby. If the part is placed in standby via the C register, the oscillator runs, but the R counter is stopped. However, if bits R15 to R13 have a value of 0, the oscillator is stopped, which saves additional power. This is the shut–down crystal mode shown in Figure 17, and can be engaged whether in standby or not.

In the reference mode, REF_{in} (Pin 20) accepts a signal up to 20 MHz from an external reference oscillator, such as a TCXO. A signal swinging from at least the V_{LL} to V_{IH} levels

listed in the Electrical Characteristics table may be directly coupled to the pin. If the signal is less than this level, ac coupling must be used as shown in Figure 8. The ac–coupled signal must be at least 400 mV p–p. Due to an on–board resistor which is engaged in the reference modes, an external biasing resistor tied between REF_{in} and REF_{out} is not required.

With the reference mode, the REF_{out} pin is configured as the output of a divider. As an example, if bits R15, R14, and R13 have an octal value of seven, the frequency at REF_{out} is the REF_{in} frequency divided by 16. In addition, Figure 17 shows how to obtain ratios of eight, four, and two. A ratio of one–to–one can be obtained with an octal value of three. Upon power up, a ratio of eight is automatically initialized. The maximum frequency capability of the REF_{out} pin is 5 MHz for V_{DD} to V_{SS} swing. Therefore, for REF_{in} frequencies above 5 MHz, the one–to–one ratio may not be used for large signal swing requirements. Likewise, for REF_{in} frequencies above 10 MHz, the ratio must be more than two.

If REF_{out} is unused, an octal value of two should be used for R15, R14, and R13 and the REF_{out} pin should be floated. A value of two allows REF_{in} to be functional while disabling REF_{out}, which minimizes dynamic power consumption and electromagnetic interference (EMI).

LOOP PINS

f_{in} and $\overline{f_{in}}$ (Pins 11 and 10)

Frequency Input from the VCO. These pins feed the on–board RF amplifier which drives the 64/65 prescaler. These inputs may be fed differentially. However, they are usually used in a single–ended configuration as shown in Figure 7. Note that f_{in} is driven while $\overline{f_{in}}$ must be tied to ground via a capacitor.

Motorola does not recommend driving $\overline{f_{in}}$ while terminating f_{in} because this configuration is not tested for sensitivity. The sensitivity is dependent on the frequency as shown in the Loop Specifications table.

PD_{out} (Pin 6)

Single–Ended Phase/Frequency Detector Output. This is a 3–state current–source/sink output for use as a loop error signal when combined with an external low–pass filter. The phase/frequency detector is characterized by a linear transfer function. The operation of the phase/frequency detector is described below and is shown in Figure 19.

POL bit (C7) in the C register = low (see Figure 15)

Frequency of $f_y > f_R$ or Phase of f_y Leading f_R : current–sinking pulses from a floating state

Frequency of $f_y < f_R$ or Phase of f_y Lagging f_R : current–sourcing pulses from a floating state

Frequency and Phase of $f_y = f_R$: essentially a floating state; voltage at pin determined by loop filter

POL bit (C7) = high

Frequency of $f_V > f_R$ or Phase of f_V Leading f_R : current-sourcing pulses from a floating state

Frequency of $f_V < f_R$ or Phase of f_V Lagging f_R : current-sinking pulses from a floating state

Frequency and Phase of $f_V = f_R$: essentially a floating state; voltage at pin determined by loop filter

This output can be enabled, disabled, and inverted via the C register. If desired, PD_{OUT} can be forced to the floating state by utilization of the disable feature in the C register (bit C6). This is a patented feature. Similarly, PD_{OUT} is forced to the floating state when the device is put into standby (STBY bit C4 = high).

The PD_{OUT} circuit is powered by V_{PD} . The phase detector gain is controllable by bits C3, C2, and C1: gain (in amps per radian) = PD_{OUT} current divided by 2π .

ϕ_R and ϕ_V (Pins 3 and 4)

Double-Ended Phase/Frequency Detector Outputs. These outputs can be combined externally to generate a loop error signal. Through use of a Motorola patented technique, the detector's dead zone has been eliminated. Therefore, the phase/frequency detector is characterized by a linear transfer function. The operation of the phase/frequency detector is described below and is shown in Figure 19.

POL bit (C7) in the C register = low (see Figure 15)

Frequency of $f_V > f_R$ or Phase of f_V Leading f_R : ϕ_V = negative pulses, ϕ_R = essentially high

Frequency of $f_V < f_R$ or Phase of f_V Lagging f_R : ϕ_V = essentially high, ϕ_R = negative pulses

Frequency and Phase of $f_V = f_R$: ϕ_V and ϕ_R remain essentially high, except for a small minimum time period when both pulse low in phase

POL bit (C7) = high

Frequency of $f_V > f_R$ or Phase of f_V Leading f_R : ϕ_R = negative pulses, ϕ_V = essentially high

Frequency of $f_V < f_R$ or Phase of f_V Lagging f_R : ϕ_R = essentially high, ϕ_V = negative pulses

Frequency and Phase of $f_V = f_R$: ϕ_V and ϕ_R remain essentially high, except for a small minimum time period when both pulse low in phase

These outputs can be enabled, disabled, and interchanged via C register bits C6 or C4. This is a patented feature. Note that when disabled or in standby, ϕ_R and ϕ_V are forced to their rest condition (high state).

The ϕ_R and ϕ_V output signal swing is approximately from GND to V_{PD} .

LD (Pin 2)

Lock Detector Output. This output is essentially at a high level with narrow low-going pulses when the loop is locked (f_R and f_V of the same phase and frequency). The output pulses low when f_V and f_R are out of phase or different frequencies. LD is the logical ANDing of ϕ_R and ϕ_V . See Figure 19.

This output can be enabled and disabled via the C register. This is a patented feature. Upon power up, on-chip initialization circuitry disables LD to a static low logic level to prevent a false lock signal. If unused, LD should be disabled and left open.

The LD output signal swing is approximately from GND to V_{DD} .

Rx (Pin 8)

External Resistor. A resistor tied between this pin and GND, in conjunction with bits in the C register, determines the amount of current that the PD_{OUT} pin sinks and sources. When bits C2 and C3 are both set high, the maximum current is obtained at PD_{OUT} ; see Figure 15 for other values of current. To achieve a maximum current of 2 mA, the resistor should be about 22 k Ω when V_{PD} is 5 V.

When the ϕ_R and ϕ_V outputs are used, the Rx pin may be floated.

TEST POINT PINS

Test 1 (Pin 9)

Modulus Control Signal. This pin may be used in conjunction with the Test 2 pin for access to the on-board 64/65 prescaler. When Test 1 is low, the prescaler divides by 65. When high, the prescaler divides by 64.

CAUTION

This pin is an unbuffered output and must be floated in an actual application. This pin may be attached to an isolated pad with no trace.

Test 2 (Pin 13)

Prescaler Output. This pin may be used to access to the on-board 64/65 prescaler output.

CAUTION

This pin is an unbuffered output and must be floated in an actual application. This pin may be attached to an isolated pad with no trace.

POWER SUPPLY PINS

V_{DD} (Pin 14)

Positive Supply Potential. This pin supplies power to the main CMOS digital portion of the device. The voltage range is + 2.7 to + 5.0 V with respect to the GND pin.

For optimum performance, V_{DD} should be bypassed to GND using a low-inductance capacitor mounted very close to these pins. Lead lengths on the capacitor should be minimized.

V_{CC} (Pin 12)

Positive Supply Potential. This pin supplies power to the RF amp and 64/65 prescaler. The voltage range is + 2.7 to + 5.0 V with respect to the GND pin. In the standby mode, the V_{CC} pin still draws a few milliamps from the power supply. This current drain can be eliminated with the use of transistor Q1 as shown in Figure 23.

For optimum performance, V_{CC} should be bypassed to GND using a low-inductance capacitor mounted very close to these pins. Lead lengths on the capacitor should be minimized.

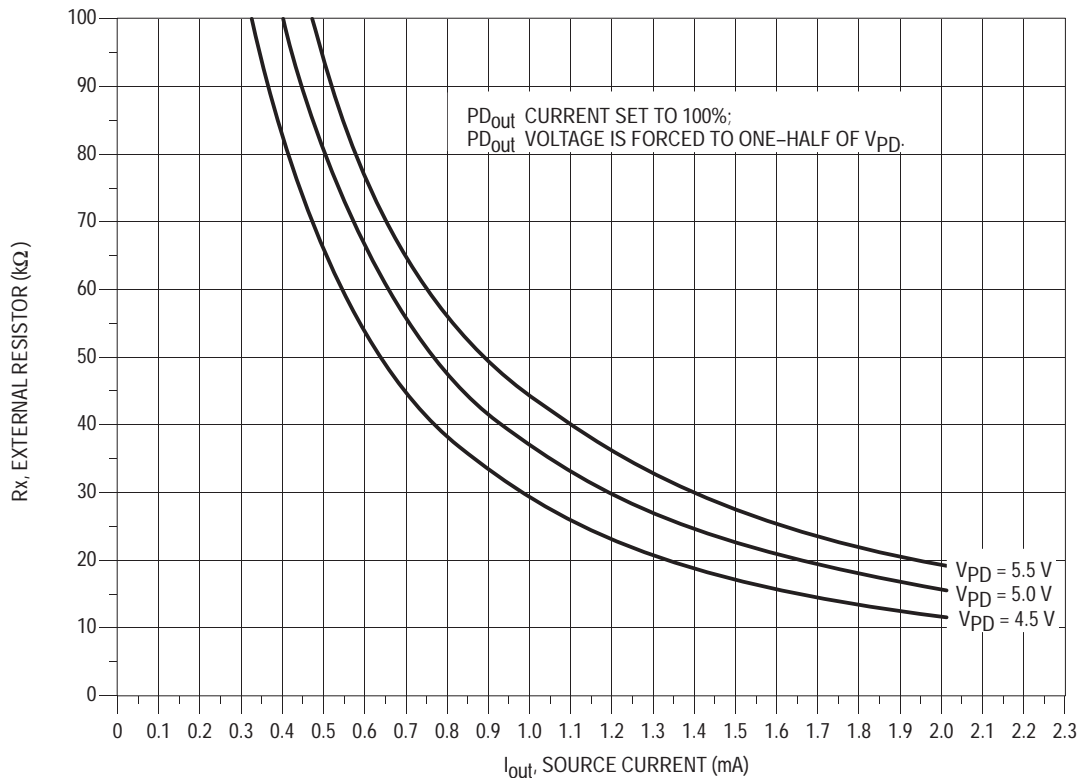
V_{PD} (Pin 5)

Positive Supply Potential. This pin supplies power to both phase/frequency detectors A and B. The voltage applied on this pin must be $\geq V_{DD}$ but not more than 5.5 V. The voltage range for V_{PD} is 4.5 to 5.5 V with respect to the GND pin when using PD_{OUT} and 2.7 to 5.5 V when using ϕ_R , ϕ_V outputs.

For optimum performance, V_{PD} should be bypassed to GND using a low-inductance capacitor mounted very close to these pins. Lead lengths on the capacitor should be minimized.

GND (Pin 7)

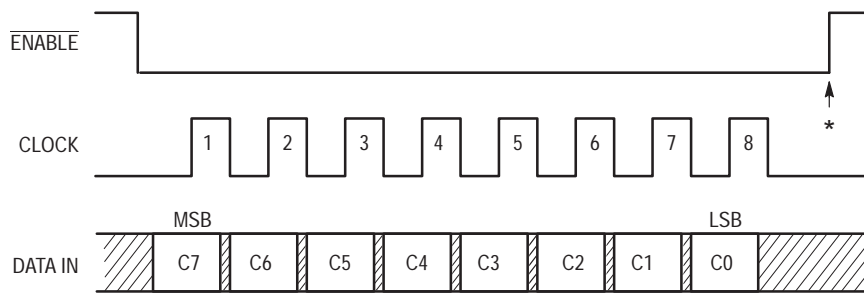
Common ground.



Nominal MC145192 PD_{out} Source Current vs Rx Resistance

NOTE: The MC145192 is optimized for R_x values in the 18 k Ω to 40 k Ω range. For example, to achieve 0.3 mA of output current, it is preferable to use a 30-k Ω resistor for R_x and bit settings for 25% (as shown in Table 3).

Figure 14.



* At this point, the new byte is transferred to the C register and stored. No other registers are affected.

- C7 – POL:** Selects the output polarity of the phase/frequency detectors. When set high, this bit inverts PD_{Out} and interchanges the ϕ_R function with ϕ_Y as depicted in Figure 19. Also see the phase detector output pin descriptions for more information. This bit is cleared low at power up.
- C6 – PDA/B:** Selects which phase/frequency detector is to be used. When set high, enables the output of phase/frequency detector A (PD_{Out}) and disables phase/frequency detector B by forcing ϕ_R and ϕ_Y to the static high state. When cleared low, phase/frequency detector B is enabled (ϕ_R and ϕ_Y) and phase/frequency detector A is disabled with PD_{Out} forced to the high-impedance state. This bit is cleared low at power up.
- C5 – LDE:** Enables the lock detector output when set high. When the bit is cleared low, the LD output is forced to a static low level. This bit is cleared low at power up.
- C4 – STBY:** When set high, places the CMOS section of device, which is powered by the V_{DD} and V_{PD} pins, in the standby mode for reduced power consumption: PD_{Out} is forced to the high-impedance state, ϕ_R and ϕ_Y are forced high, the A, N, and R counters are inhibited from counting, and the Rx current is shut off. In standby, the state of LD is determined by bit C5. C5 low forces LD low (no change). C5 high forces LD static high. During standby, data is retained in the A, R, and C registers. The condition of REF/OSC circuitry is determined by the control bits in the R register: R13, R14, and R15. However, if REF_{Out} = static low is selected, the internal feedback resistor is disconnected and the input is inhibited when in standby; in addition, the REF_{In} input only presents a capacitive load. NOTE: Standby does not affect the other modes of the REF/OSC circuitry. When C4 is reset low, the part is taken out of standby in 2 steps. First, the REF_{In} (only in one mode) resistor is reconnected, all counters are enabled, and the Rx current is enabled. Any f_R and f_Y signals are inhibited from toggling the phase/frequency detectors and lock detector. Second, when the first f_Y pulse occurs, the R counter is jam loaded, and the phase/frequency and lock detectors are initialized. Immediately after the jam load, the A, N, and R counters begin counting down together. At this point, the f_R and f_Y pulses are enabled to the phase and lock detectors. This is a patented feature.
- C3, C2 – I2, I1:** Controls the PD_{Out} source/sink current per Tables 2 and 3. With both bits high, the maximum current (as set by Rx) is available. Also, see C1 bit description.
- C1 – Port:** When the Output A pin is selected as “Port” via bits A22 and A23, C1 determines the state of Output A. When C1 is set high, Output A is forced high; C1 low forces Output A low. When Output A is not selected as “Port,” C1 controls whether the PD_{Out} step size is 10% or 25%. (See Tables 2 and 3.) When low, steps are 10%. When high, steps are 25%. Default is 10% steps when Output A is selected as “Port.” The Port bit is not affected by the standby mode.
- C0 – Out B:** Determines the state of Output B. When C0 is set high, Output B is high-impedance; C0 low forces Output B low. The Out B bit is not affected by the standby mode. This bit is cleared low at power up.

Figure 15. C Register Access and Format (8 Clock Cycles Are Used)

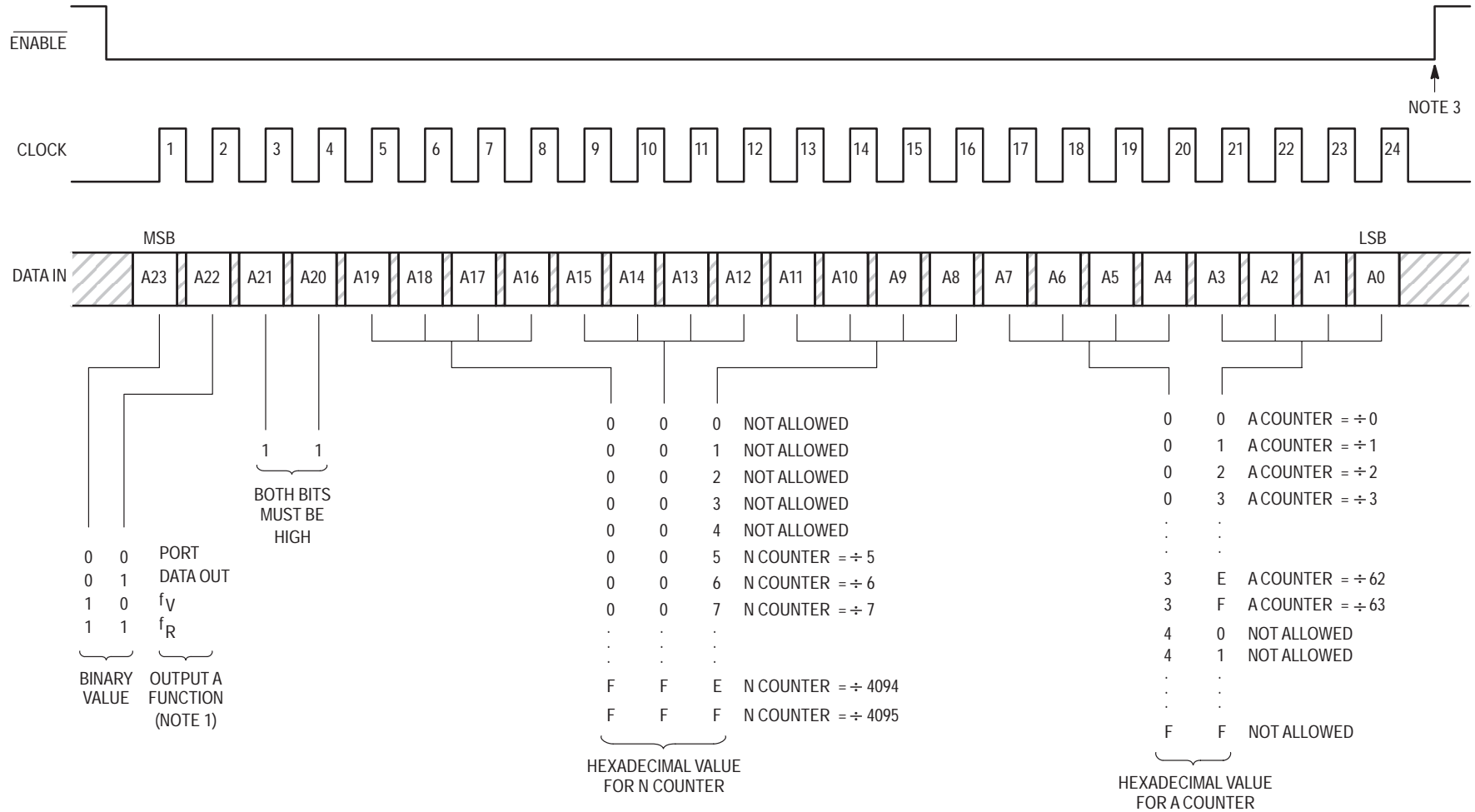
Table 2. PD_{Out} Current, C1 = Low with Output A NOT Selected as “Port”; Also, Default Mode When Output A Selected as “Port”

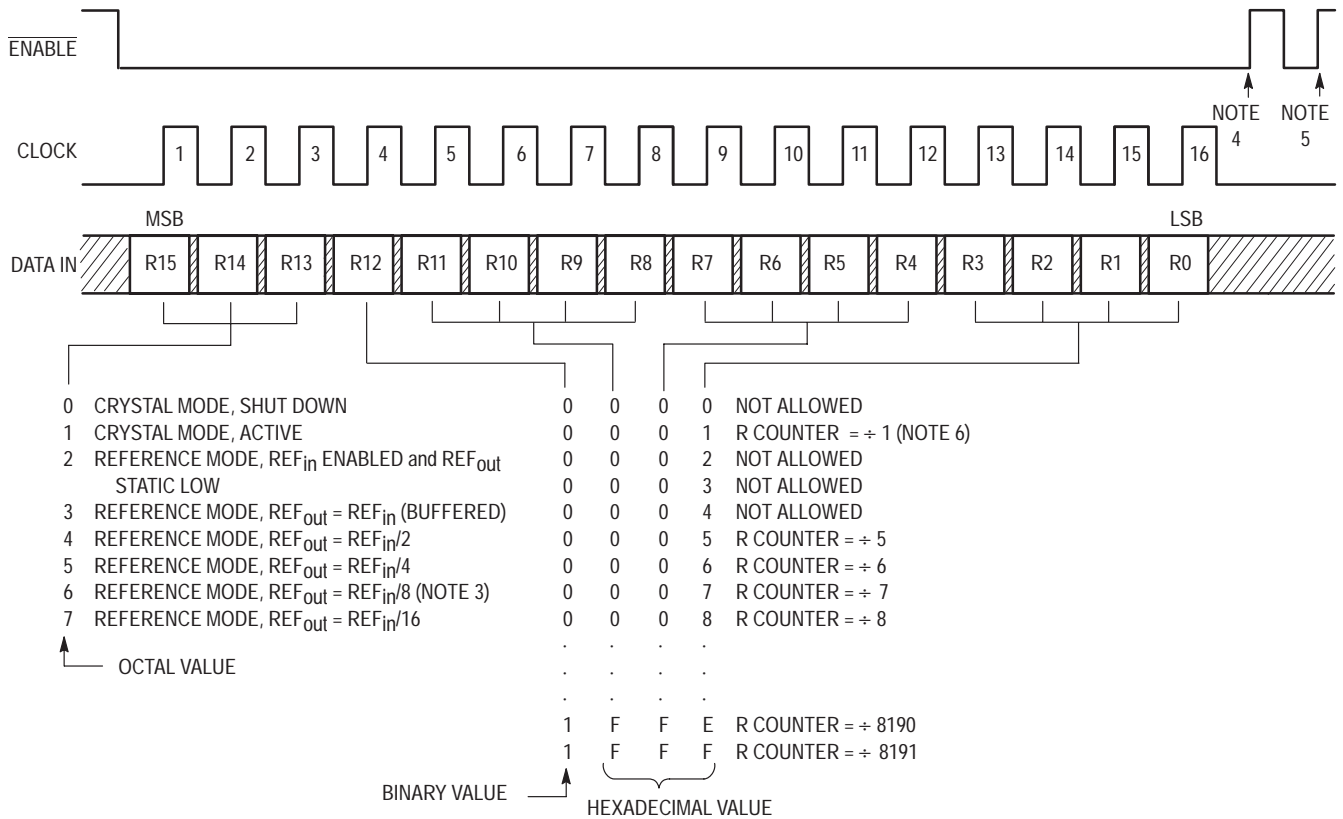
C3	C2	PD_{Out} Current
0	0	70%
0	1	80%
1	0	90%
1	1	100%

Table 3. PD_{Out} Current, C1 = High with Output A NOT Selected as “Port”

C3	C2	PD_{Out} Current
0	0	25%
0	1	50%
1	0	75%
1	1	100%

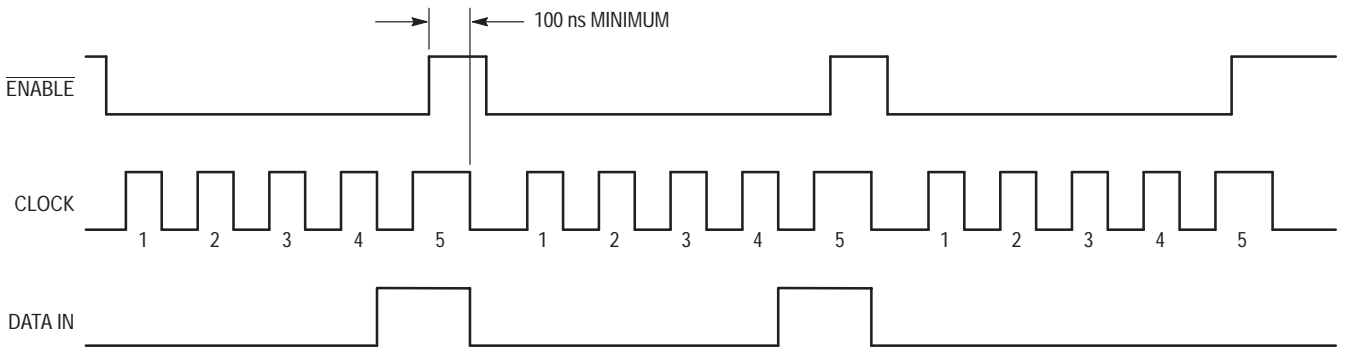
Figure 16. A Register Access and Format (24 Clock Cycles are Used)





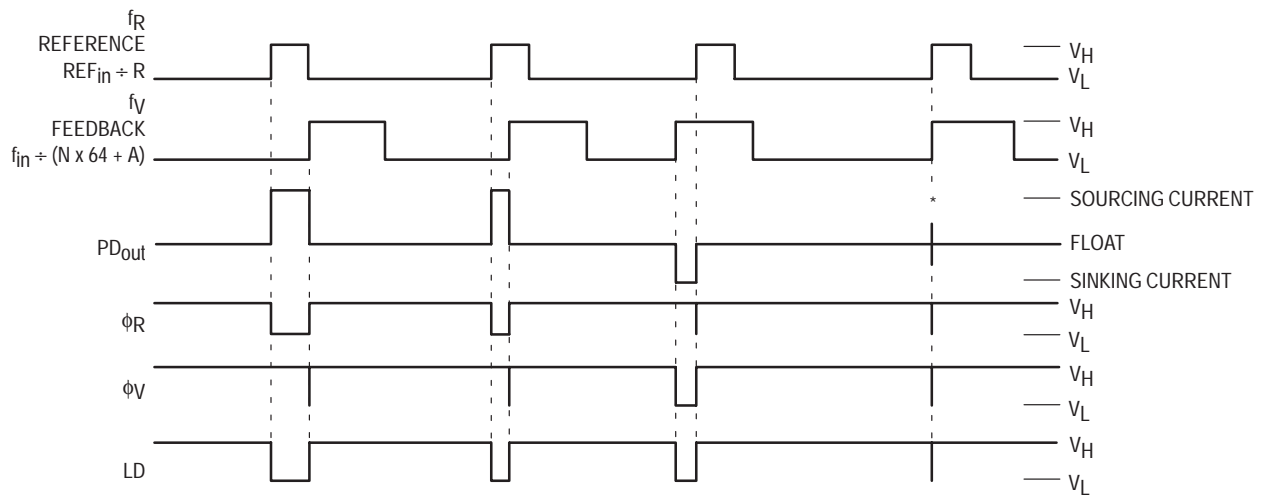
- NOTES:
1. Bits R15 through R13 control the configurable "OSC or 4-stage divider" block (see Block Diagram).
 2. Bits R12 through R0 control the "13-stage R counter" block (see Block Diagram).
 3. A power-on initialize circuit forces a default REF_{in} to REF_{out} ratio of eight.
 4. At this point, bits R13, R14, and R15 are stored and sent to the "OSC or 4-Stage Divider" block in the Block Diagram. Bits R0 – R12 are loaded into the first buffer in the double-buffered section of the R register. Therefore, the R counter divide ratio is not altered yet and retains the previous ratio loaded. The C and A registers are not affected.
 5. At this point, bits R0 through R12 are transferred to the second buffer of the R register. The R counter begins dividing by the new ratio after completing the rest of the present count cycle. Clock must be low during the Enable pulse, as shown. Also, see note 3 of Figure 16 for an alternate method of loading the second buffer in the R register. The C and A registers are not affected. The first buffer of the R register is not affected.
 6. Allows direct access to reference input of phase/frequency detectors.

Figure 17. R Register Access and Format (16 Clock Cycles Are Used)



NOTE: It may not be convenient to control the $\overline{\text{Enable}}$ or Clock pins high during power up per the Pin Descriptions. If this is the case, the part may be initialized through the serial port as shown in the figure above. The sequence is similar to accessing the registers except that the Clock must remain high at least 100 ns after $\overline{\text{Enable}}$ is brought high. Note that 3 groups of 5 bits are needed.

Figure 18. Initializing the PLL through the Serial Port



V_H = High voltage level

V_L = Low voltage level

* At this point, when both f_R and f_V are in phase, the output source and sink circuits are turned on for a short interval.

NOTE: The PD_{Out} either sources or sinks current during out-of-lock conditions. When locked in phase and frequency, the output is high impedance and the voltage at that pin is determined by the low pass filter capacitor. PD_{Out} , ϕ_R , and ϕ_V are shown with the polarity bit (POL) = low; see Figure 15 for POL.

Figure 19. Phase/Frequency Detectors and Lock Detector Output Waveforms

DESIGN CONSIDERATIONS

CRYSTAL OSCILLATOR CONSIDERATIONS

The following options may be considered to provide a reference frequency to Motorola's CMOS frequency synthesizers.

USE OF A HYBRID CRYSTAL OSCILLATOR

Commercially available temperature-compensated crystal oscillators (TCXOs) or crystal-controlled data clock oscillators provide very stable reference frequencies. An oscillator capable of CMOS logic levels at the output may be direct or dc coupled to REF_{in}. If the oscillator does not have CMOS logic levels on the outputs, capacitive or ac coupling to REF_{in} may be used. See Figure 8.

For additional information about TCXOs and data clock oscillators, please consult the latest version of the *eem Electronic Engineers Master Catalog*, the *Gold Book*, or similar publications.

DESIGN AN OFF-CHIP REFERENCE

The user may design an off-chip crystal oscillator using discrete transistors or ICs specifically developed for crystal oscillator applications, such as the MC12061 MECL device. The reference signal from the MECL device is ac coupled to REF_{in}. (See Figure 8.) For large amplitude signals (standard CMOS logic levels), dc coupling may be used.

USE OF THE ON-CHIP OSCILLATOR CIRCUITRY

The on-chip amplifier (a digital inverter) along with an appropriate crystal may be used to provide a reference source frequency. A fundamental mode crystal, parallel resonant at the desired operating frequency, should be connected as shown in Figure 20.

The crystal should be specified for a loading capacitance, C_L, which does not exceed approximately 20 pF when used at the highest operating frequency of 10 MHz. Assuming R1 = 0 Ω, the shunt load capacitance, C_L, presented across the crystal can be estimated to be:

$$C_L = \frac{C_{in}C_{out}}{C_{in} + C_{out}} + C_a + C_{stray} + \frac{C_1 \cdot C_2}{C_1 + C_2}$$

where

C_{in} = 5 pF (see Figure 21)

C_{out} = 6 pF (see Figure 21)

C_a = 1 pF (see Figure 21)

C₁ and C₂ = external capacitors (see Figure 20)

C_{stray} = the total equivalent external circuit stray capacitance appearing across the crystal terminals

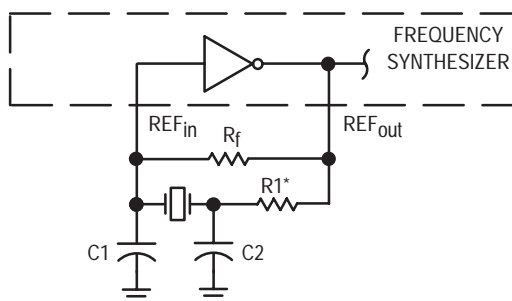
The oscillator can be "trimmed" on-frequency by making either a portion or all of C₁ variable. The crystal and associated components must be located as close as possible to the REF_{in} and REF_{out} pins to minimize distortion, stray capacitance, stray inductance, and startup stabilization time. Circuit stray capacitance can also be handled by adding the appropriate stray value to the values for C_{in} and C_{out}. For this approach, the term C_{stray} becomes zero in the above expression for C_L.

Power is dissipated in the effective series resistance of the crystal, R_e, in Figure 22. The maximum drive level specified

by the crystal manufacturer represents the maximum stress that the crystal can withstand without damage or excessive shift in operating frequency. R1 in Figure 20 limits the drive level. The use of R1 is not necessary in most cases.

To verify that the maximum dc supply voltage does not cause the crystal to be overdriven; monitor the output frequency (f_R) at Output A as a function of supply voltage. (REF_{out} is not used because loading impacts the oscillator.) The frequency should increase very slightly as the dc supply voltage is increased. An overdriven crystal decreases in frequency or becomes unstable with an increase in supply voltage. The operating supply voltage must be reduced or R1 must be increased in value if the overdriven condition exists. Note that the oscillator start-up time is proportional to the value of R1.

Through the process of supplying crystals for use with CMOS inverters, many crystal manufacturers have developed expertise in CMOS oscillator design with crystals. Discussions with such manufacturers can prove very helpful. See Table 4.



* May be needed in certain cases. See text.

Figure 20. Pierce Crystal Oscillator Circuit

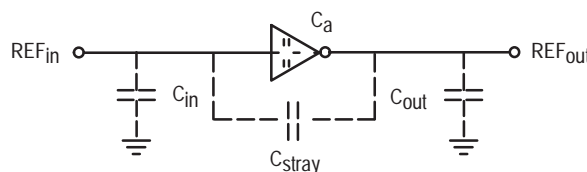
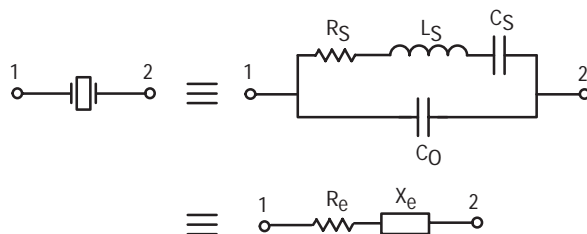


Figure 21. Parasitic Capacitances of the Amplifier and C_{stray}



NOTE: Values are supplied by crystal manufacturer (parallel resonant crystal).

Figure 22. Equivalent Crystal Networks

RECOMMENDED READING

Technical Note TN-24, Statek Corp.
Technical Note TN-7, Statek Corp.
E. Hafner, "The Piezoelectric Crystal Unit-Definitions and Method of Measurement", *Proc. IEEE*, Vol. 57, No. 2, Feb. 1969.
D. Kemper, L. Rosine, "Quartz Crystals for Frequency

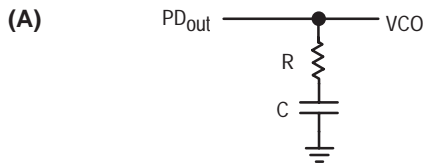
Control", *Electro-Technology*, June 1969.
P. J. Ottowitz, "A Guide to Crystal Selection", *Electronic Design*, May 1966.
D. Babin, "Designing Crystal Oscillators", *Machine Design*, March 7, 1985.
D. Babin, "Guidelines for Crystal Oscillator Design", *Machine Design*, April 25, 1985.

Table 4. Partial List of Crystal Manufacturers

Motorola — Internet Address http://motorola.com (Search for resonators)
United States Crystal Corp.
Crystek Crystal
Statek Corp.
Fox Electronics

NOTE: Motorola cannot recommend one supplier over another and in no way suggests that this is a complete listing of crystal manufacturers.

PHASE-LOCKED LOOP — LOW-PASS FILTER DESIGN



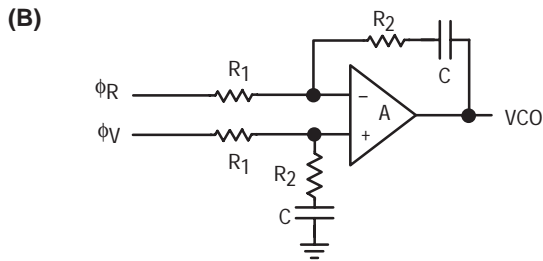
$$\omega_n = \sqrt{\frac{K_\phi K_{VCO}}{NC}}$$

$$\zeta = \frac{R}{2} \sqrt{\frac{K_\phi K_{VCO} C}{N}} = \frac{\omega_n RC}{2}$$

$$Z(s) = \frac{1 + sRC}{sC}$$

NOTE:

For (A), using K_ϕ in amps per radian with the filter's impedance transfer function, $Z(s)$, maintains units of volts per radian for the detector/filter combination. Additional sideband filtering can be accomplished by adding a capacitor C' across R . The corner $\omega_c = 1/RC'$ should be chosen such that ω_n is not significantly affected.



$$\omega_n = \sqrt{\frac{K_\phi K_{VCO}}{NCR_1}}$$

$$\zeta = \frac{\omega_n R_2 C}{2}$$

ASSUMING GAIN A IS VERY LARGE, THEN:

$$F(s) = \frac{R_2 s C + 1}{R_1 s C}$$

NOTE:

For (B), R_1 is frequently split into two series resistors; each resistor is equal to R_1 divided by 2. A capacitor C_C is then placed from the midpoint to ground to further filter the error pulses. The value of C_C should be such that the corner frequency of this network does not significantly affect ω_n .

* The ϕ_R and ϕ_V outputs are fed to an external combiner/loop filter. The ϕ_R and ϕ_V outputs swing rail-to-rail. Therefore, the user should be careful not to exceed the common mode input range of the op amp used in the combiner/loop filter.

DEFINITIONS:

N = Total Division Ratio in Feedback Loop

K_ϕ (Phase Detector Gain) = $I_{PDout}/2\pi$ amps per radian for PD_{out}

K_ϕ (Phase Detector Gain) = $V_{PD}/2\pi$ volts per radian for ϕ_V and ϕ_R

K_{VCO} (VCO Transfer Function) = $\frac{2\pi\Delta f_{VCO}}{\Delta V_{VCO}}$ radians per volt

For a nominal design starting point, the user might consider a damping factor $\zeta \approx 0.7$ and a natural loop frequency $\omega_n \approx (2\pi f_R/50)$ where f_R is the frequency at the phase detector input. Larger ω_n values result in faster loop lock times and, for similar sideband filtering, higher f_R -related VCO sidebands.

Either loop filter (A) or (B) is frequently followed by additional sideband filtering to further attenuate f_R -related VCO sidebands. This additional filtering may be active or passive.

RECOMMENDED READING:

Gardner, Floyd M., *Phaselock Techniques (second edition)*. New York, Wiley-Interscience, 1979.

Manassewitsch, Vadim, *Frequency Synthesizers: Theory and Design (second edition)*. New York, Wiley-Interscience, 1980.

Blanchard, Alain, *Phase-Locked Loops: Application to Coherent Receiver Design*. New York, Wiley-Interscience, 1976.

Egan, William F., *Frequency Synthesis by Phase Lock*. New York, Wiley-Interscience, 1981.

Rohde, Ulrich L., *Digital PLL Frequency Synthesizers Theory and Design*. Englewood Cliffs, NJ, Prentice-Hall, 1983.

Berlin, Howard M., *Design of Phase-Locked Loop Circuits, with Experiments*. Indianapolis, Howard W. Sams and Co., 1978.

Kinley, Harold, *The PLL Synthesizer Cookbook*. Blue Ridge Summit, PA, Tab Books, 1980.

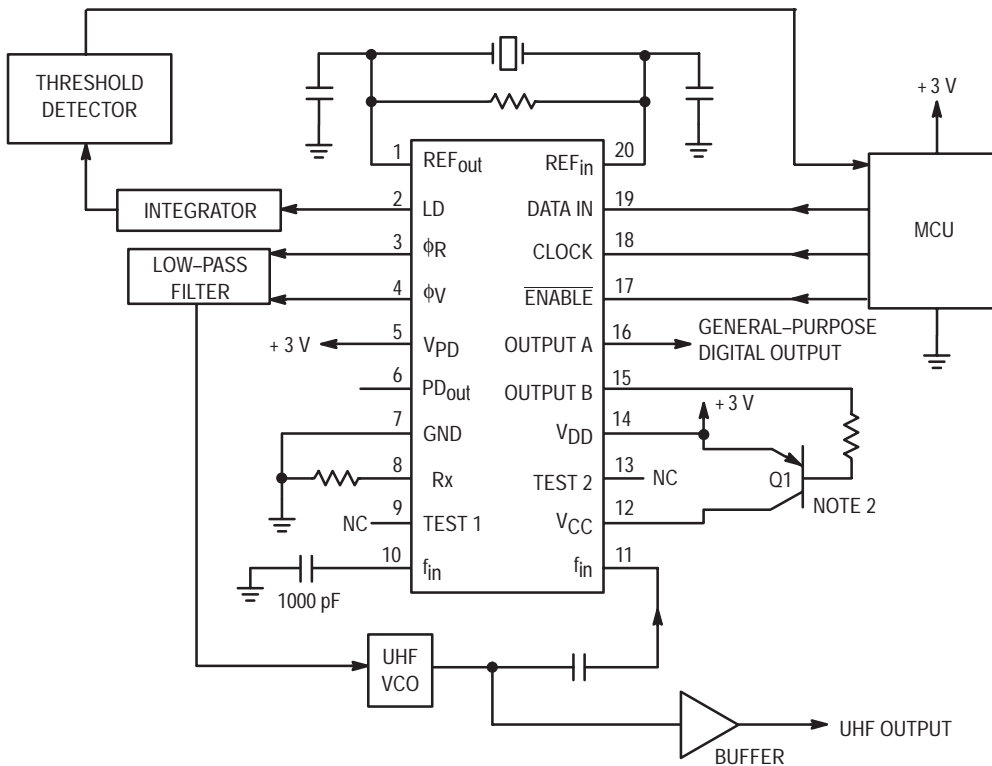
Seidman, Arthur H., *Integrated Circuits Applications Handbook*, Chapter 17, pp. 538-586. New York, John Wiley & Sons.

Fadrhons, Jan, "Design and Analyze PLLs on a Programmable Calculator," *EDN*. March 5, 1980.

AN535, Phase-Locked Loop Design Fundamentals, Motorola Semiconductor Products, Inc., 1970.

AR254, Phase-Locked Loop Design Articles, Motorola Semiconductor Products, Inc., Reprinted with permission from *Electronic Design*, 1987.

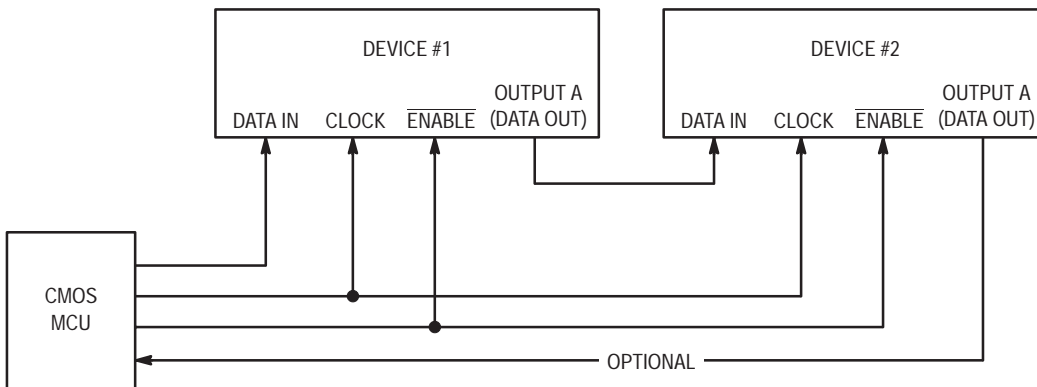
AN1253/D, An Improved PLL Design Method Without ω_n and ζ , Motorola Semiconductor Products, Inc., 1995.



NOTES:

1. When used, the ϕ_R and ϕ_V outputs are fed to an external combiner/loop filter. See the Phase-Locked Loop — Low-Pass Filter Design page for additional information.
2. Transistor Q1 is required only if the standby feature is needed. Q1 permits the bipolar section of the device to be shut down via use of the general-purpose digital pin, Output B. If the standby feature is not needed, tie Pin 12 directly to the power supply.
3. For optimum performance, bypass the V_{CC} , V_{DD} , and V_{PD} pins to GND with low-inductance capacitors.
4. The R counter is programmed for a divide value = REF_{in} / f_R . Typically, f_R is the tuning resolution required for the VCO. Also, the VCO frequency divided by $f_R = N_T = N \times 64 + A$; this determines the values (N, A) that must be programmed into the N and A counters, respectively.

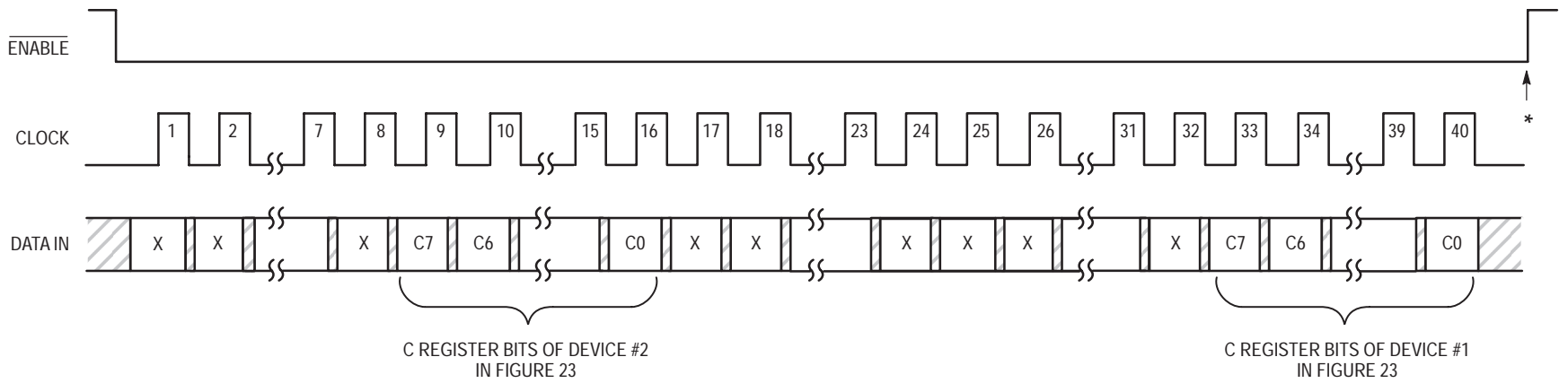
Figure 23. Example Application



NOTE: See related Figures 25, 26, and 27.

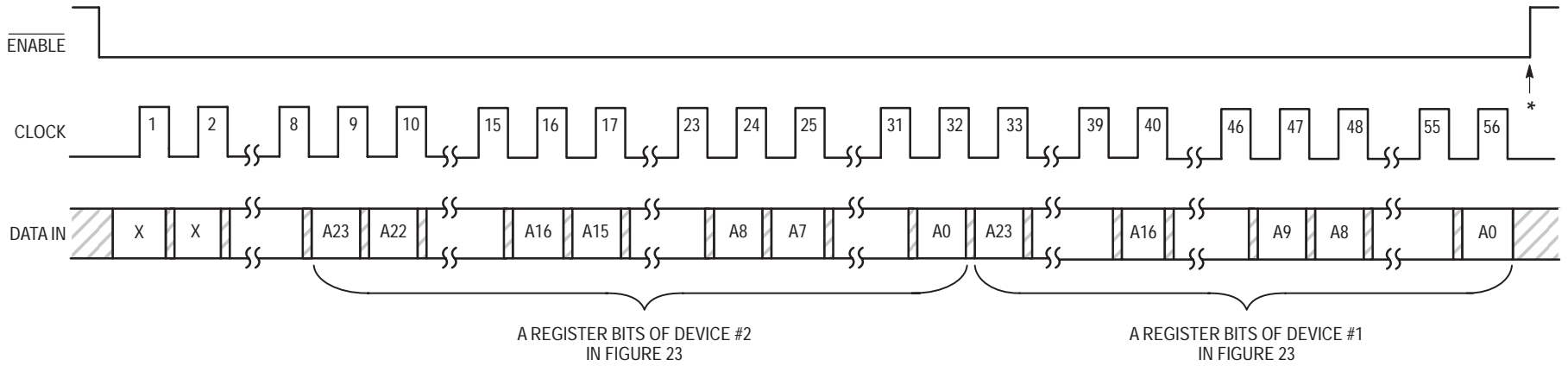
Figure 24. Cascading Two Devices

Figure 25. Accessing the C Registers of Two Cascaded Devices



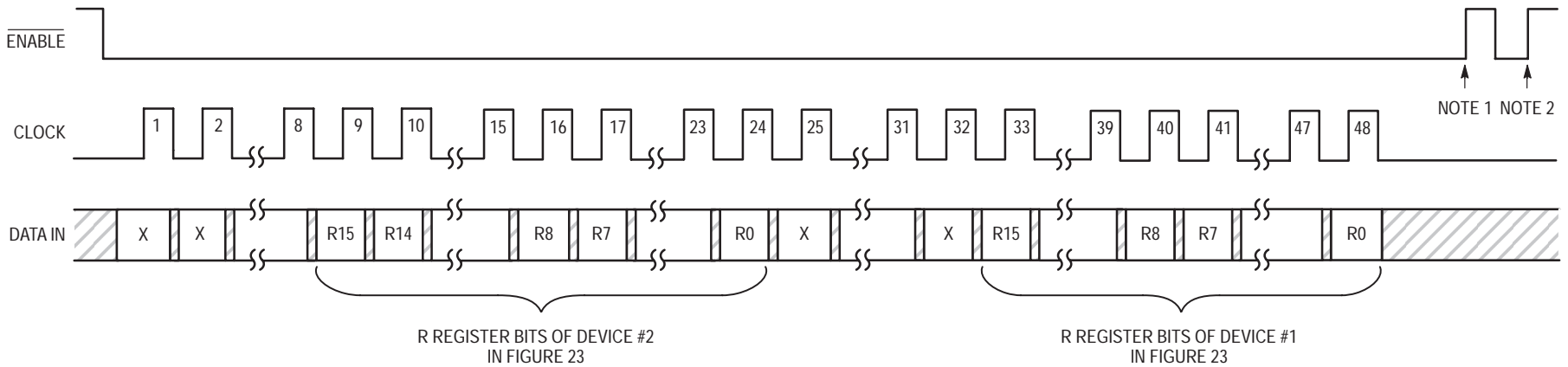
*At this point, the new bytes are transferred to the C registers of both devices and stored. No other registers are affected.

Figure 26. Accessing the A Registers of Two Cascaded Devices



*At this point, the new bytes are transferred to the A registers of both devices and stored. Additionally, for both devices, the 13 LSBs in each of the first buffers of the R registers are transferred to the respective R register's second buffer. Thus, the R, N, and A counters can be presented new divide ratios at the same time. The first buffer of each R register is not affected. Neither C register is affected.

Figure 27. Accessing the R Registers of Two Cascaded Devices

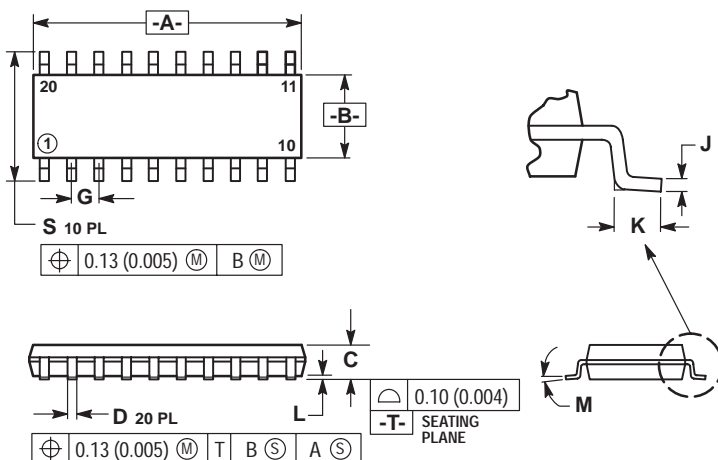


NOTES APPLICABLE TO EACH DEVICE:

1. At this point, bits R13, R14, and R15 are stored and sent to the "OSC or 4-Stage Divider" block in the Block Diagram. Bits R0 through R12 are loaded into the first buffer in the double-buffered section of the R register. Therefore, the R counter divide ratio is not altered yet and retains the previous ratio loaded. The C and A registers are not affected.
2. At this point, the bits R0 through R12 are transferred to the second buffer of the R register. The R counter begins dividing by the new ratio after completing the rest of the present count cycle. Clock must be low during the $\overline{\text{Enable}}$ pulse, as shown. Also, see note of Figure 25 for an alternate method of loading the second buffer in the R register. The C and A registers are not affected. The first buffer of the R register is not affected.

PACKAGE DIMENSIONS

F SUFFIX SOG (SMALL OUTLINE GULL-WING) PACKAGE CASE 751J-02

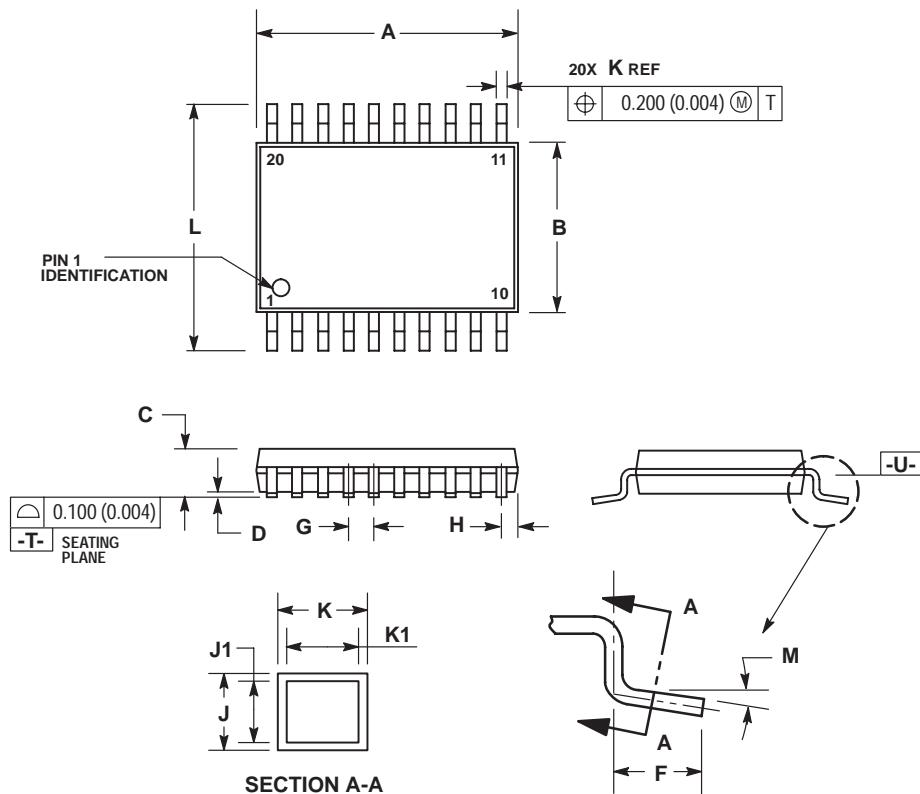


NOTES:

1. DIMENSIONING AND TOLERANCING PER ANSI Y14.5M, 1982.
2. CONTROLLING DIMENSION: MILLIMETER.
3. DIMENSIONS A AND B DO NOT INCLUDE MOLD PROTRUSION.
4. MAXIMUM MOLD PROTRUSION 0.15 (0.006) PER SIDE.
5. DIMENSION D DOES NOT INCLUDE DAMBAR PROTRUSION. ALLOWABLE DAMBAR PROTRUSION SHALL BE 0.13 (0.005) TOTAL IN EXCESS OF THE D DIMENSION AT MAXIMUM MATERIAL CONDITION.

DIM	MILLIMETERS		INCHES	
	MIN	MAX	MIN	MAX
A	12.55	12.80	0.494	0.504
B	5.10	5.40	0.201	0.213
C	—	2.00	—	0.079
D	0.35	0.45	0.014	0.018
G	1.27 BSC		0.050 BSC	
J	0.18	0.23	0.007	0.009
K	0.55	0.85	0.022	0.033
L	0.05	0.20	0.002	0.008
M	0°	7°	0°	7°
S	7.40	8.20	0.291	0.323


DT SUFFIX TSSOP (THIN SHRUNK SMALL OUTLINE PACKAGE) CASE 948D-03



NOTES:

1. DIMENSIONING AND TOLERANCING PER ANSI Y14.5M, 1982.
2. CONTROLLING DIMENSION: MILLIMETER.
3. DIMENSION A DOES NOT INCLUDE MOLD FLASH, PROTRUSIONS OR GATE BURRS. MOLD FLASH OR GATE BURRS SHALL NOT EXCEED 0.15 (0.006) PER SIDE.
4. DIMENSION B DOES NOT INCLUDE INTERLEAD FLASH OR PROTRUSION. INTERLEAD FLASH OR PROTRUSION SHALL NOT EXCEED 0.25 (0.010) PER SIDE.
5. DIMENSION K DOES NOT INCLUDE DAMBAR PROTRUSION. ALLOWABLE DAMBAR PROTRUSION SHALL BE 0.08 (0.003) TOTAL IN EXCESS OF THE K DIMENSION AT MAXIMUM MATERIAL CONDITION.
6. TERMINAL NUMBERS ARE SHOWN FOR REFERENCE ONLY.
7. DIMENSIONS A AND B ARE TO BE DETERMINED AT DATUM PLANE -U-.

DIM	MILLIMETERS		INCHES	
	MIN	MAX	MIN	MAX
A	—	6.60	—	0.260
B	4.30	4.50	0.169	0.177
C	—	1.20	—	0.047
D	0.05	0.25	0.002	0.010
F	0.45	0.55	0.018	0.022
G	0.65 BSC		0.026 BSC	
H	0.275	0.375	0.011	0.015
J	0.09	0.24	0.004	0.009
J1	0.09	0.18	0.004	0.007
K	0.16	0.32	0.006	0.013
K1	0.16	0.26	0.006	0.010
L	6.30	6.50	0.248	0.256
M	0°	10°	0°	10°

Motorola reserves the right to make changes without further notice to any products herein. Motorola makes no warranty, representation or guarantee regarding the suitability of its products for any particular purpose, nor does Motorola assume any liability arising out of the application or use of any product or circuit, and specifically disclaims any and all liability, including without limitation consequential or incidental damages. "Typical" parameters which may be provided in Motorola data sheets and/or specifications can and do vary in different applications and actual performance may vary over time. All operating parameters, including "Typicals" must be validated for each customer application by customer's technical experts. Motorola does not convey any license under its patent rights nor the rights of others. Motorola products are not designed, intended, or authorized for use as components in systems intended for surgical implant into the body, or other applications intended to support or sustain life, or for any other application in which the failure of the Motorola product could create a situation where personal injury or death may occur. Should Buyer purchase or use Motorola products for any such unintended or unauthorized application, Buyer shall indemnify and hold Motorola and its officers, employees, subsidiaries, affiliates, and distributors harmless against all claims, costs, damages, and expenses, and reasonable attorney fees arising out of, directly or indirectly, any claim of personal injury or death associated with such unintended or unauthorized use, even if such claim alleges that Motorola was negligent regarding the design or manufacture of the part. Motorola and  are registered trademarks of Motorola, Inc. Motorola, Inc. is an Equal Opportunity/Affirmative Action Employer.

Mfax is a trademark of Motorola, Inc.

How to reach us:

USA/EUROPE/Locations Not Listed: Motorola Literature Distribution;
P.O. Box 5405, Denver, Colorado 80217. 1-303-675-2140 or 1-800-441-2447

JAPAN: Motorola Japan Ltd.; SPD, Strategic Planning Office, 141,
4-32-1 Nishi-Gotanda, Shinagawa-ku, Tokyo, Japan. 81-3-5487-8488

Customer Focus Center: 1-800-521-6274

Mfax™: RMFAX0@email.sps.mot.com – TOUCHTONE 1-602-244-6609
Motorola Fax Back System – US & Canada ONLY 1-800-774-1848
– <http://sps.motorola.com/mfax/>

ASIA/PACIFIC: Motorola Semiconductors H.K. Ltd.; Silicon Harbour Centre,
2, Dai King Street, Tai Po Industrial Estate, Tai Po, N.T., Hong Kong.
852-26629298

HOME PAGE: <http://motorola.com/sps/>

