



USER'S MANUAL

S3C2416
16/32-Bit RISC Microprocessor

July 2009

REV 1.40

Important Notice

The information in this publication has been carefully checked and is believed to be entirely accurate at the time of publication. Samsung assumes no responsibility, however, for possible errors or omissions, or for any consequences resulting from the use of the information contained herein.

Samsung reserves the right to make changes in its products or product specifications with the intent to improve function or design at any time and without notice and is not required to update this documentation to reflect such changes.

This publication does not convey to a purchaser of semiconductor devices described herein any license under the patent rights of Samsung or others.

Samsung makes no warranty, representation, or guarantee regarding the suitability of its products for any particular purpose, nor does Samsung assume any liability arising out of the application or use of any product or circuit and specifically disclaims any and all liability, including without limitation any consequential or incidental damages.

S3C2416 16/32-Bit RISC Microprocessor
User's Manual, Revision 1.40
Publication Number: 21.10-S3-C2416- 082008
Copyright © 2009 Samsung Electronics Co.,Ltd.

All rights reserved. No part of this publication may be reproduced, stored in a retrieval system, or transmitted in any form or by any means, electric or mechanical, by photocopying, recording, or otherwise, without the prior written consent of Samsung Electronics.

Samsung Electronics' microcontroller business has been awarded full ISO-14001 certification (BSI Certificate No. FM24653). All semiconductor products are designed and manufactured in accordance with the highest quality standards and objectives.

Samsung Electronics Co., Ltd.
San #24 Nongseo-Dong, Giheung-Gu
Yongin-City, Gyeonggi-Do, Korea
C.P.O. Box #37, Suwon 446-711
TEL: (82)-(31)-209-4593
FAX: (82)-(31)-209-5324
Home Page: <http://www.samsungsemi.com>
Printed in the Republic of Korea
E-Mail: mobilesol.cs@samsung.com

"Typical" parameters can and do vary in different applications. All operating parameters, including "Typicals" must be validated for each customer application by the customer's technical experts.

Samsung products are not designed, intended, or authorized for use as components in systems intended for surgical implant into the body, for other applications intended to support or sustain life, or for any other application in which the failure of the Samsung product could create a situation where personal injury or death may occur.

Should the Buyer purchase or use a Samsung product for any such unintended or unauthorized application, the Buyer shall indemnify and hold Samsung and its officers, employees, subsidiaries, affiliates, and distributors harmless against all claims, costs, damages, expenses, and reasonable attorney fees arising out of, either directly or indirectly, any claim of personal injury or death that may be associated with such unintended or unauthorized use, even if such claim alleges that Samsung was negligent regarding the design or manufacture of said product.

NOTIFICATION OF REVISIONS

ORIGINATOR: Samsung Electronics, LSI Development Group, Gi-Heung, South Korea

PRODUCT NAME: S3C2416 RISC Microprocessor

DOCUMENT NAME: S3C2416 User's Manual, Revision 1.40

DOCUMENT NUMBER: 21.10-S3-C2416-082008

EFFECTIVE DATE: JULY, 2009

DIRECTIONS: Revision 1.40

REVISION HISTORY

Revision No	Description of Change	Refer to	Author(s)	Date
1.00	Initial release	-	AP app part.	August 27, 2008
1.10	Overview, System controller, DMA controller, I/O ports, LCD controller are updated.	-	AP app part.	October 06, 2008
1.20	Overview, 2D, I/O port are updated.	-	AP app part.	January 5, 2009
1.30	LCD Controller, SMC, HSSPI, Electrical data are updated	-	AP app part.	March 16, 2009
1.40	HSMMC, DRAMC, DMAC, USB Device, Electrical Data are updated	-	AP app part.	July 31, 2009

REVISION DESCRIPTIONS FOR REVISION 1.40

Chapter		Subjects (Major changes comparing with last version)
Chapter Name	Page	
6. DRAMC	6-8	CASBW0/CASBW1 descriptions are modified
8. DMA CONTROLLER	8-8	Note is added
16. USB 2.0 Device	16-30	Note is added
20. HSMCC	20-36	HOSTCTL0/1[2] is changed to OUTEDGEINV
26. Electrical data	26-23	SMC Timing Constants are modified
26. Electrical data	26-2	Recommended operating conditions (400 or 266MHz) Table is modified.

Table of Contents

Chapter 1 Product Overview

1 Introduction	1-1
2 Features	1-2
3 Block Diagram.....	1-5
4 Pin Assignments	1-6
4.1 Signal Descriptions.....	1-24
4.2 S3C2416 Operation Mode Description	1-31
4.3 S3C2416 Memory MAP and Base Address of Special Registers.....	1-32

Chapter 2 System Controller

1 Overview	2-1
2 Feature.....	2-1
3 Block Diagram.....	2-2
4 Functional Descriptions.....	2-3
4.1 Reset Management and Types	2-3
4.2 Hardware Reset.....	2-3
4.3 Watchdog Reset	2-4
4.4 Software Reset.....	2-5
4.5 Wakeup Reset.....	2-5
5 Clock Management.....	2-6
5.1 Clock Generation Overview.....	2-6
5.2 Clock Source Selection	2-6
5.3 PLL (Phase-Locked-Loop)	2-8
5.4 Change PLL Settings In Normal Operation.....	2-8
5.5 System Clock Control.....	2-9
5.6 ARM & BUS Clock Divide Ratio	2-10
5.7 Examples for configuring clock register to produce specific frequency of AMBA clocks.....	2-11
5.8 ESYSCLK Control	2-12
6 Power Management.....	2-13
6.1 Power Mode State Diagram	2-13
6.2 Power Saving Modes.....	2-14
6.3 Wake-Up Event	2-19
6.4 Output Port State and STOP and SLEEP Mode	2-19
6.5 Power Saving Mode Entering/Exiting Condition.....	2-20
7 Register Descriptions.....	2-21
7.1 Address Map	2-21

Table of Contents (Continued)

Chapter 2 System Controller (Continued)

8 Individual Register Descriptions.....	2-22
8.1 Clock Source Control Registers (LOCKCON0, LOCKCON1, OSCSET, MPLLCON, and EPLLCON)	2-22
8.2 Clock Control Register (CLKSRC, CLKDIV, HCLKCON, PCLKCON, and SCLKCON).....	2-25
8.3 Power Management Registers (PWRMODE and PWRCFG)	2-31
8.4 Reset Control Registers (SWRST and RSTCON).....	2-33
8.5 Control of retention PAD(I/O) when normal mode and wake-up from sleep mode	2-34
8.6 System Controller Status Registers (WKUPSTAT and RSTSTAT).....	2-35
8.7 Bus Configuration Register (BUSPRI0, BUSPRI1, and BUSMISC).....	2-36
8.8 Information Register 0,1,2,3	2-37
8.9 USB PHY Control register (PHYCTRL)	2-38
8.10 USB PHY Power Control Register (PHYPWR)	2-39
8.11 USB Reset Control Register (URSTCON).....	2-39
8.12 USB Clock Control Register (UCLKCON)	2-40

Chapter 3 Bus Matrix & EBI

1 Overview.....	3-1
2 Special Function Registers	3-2
2.1 Matrix Core 0 Priority Register (Bpriority0).....	3-2
2.2 Matrix Core 1 Priority Register (Bpriority1)	3-2
2.3 EBI Control Register (EBICON).....	3-3

Chapter 4 Bus Priorities

1 Overview.....	4-1
1.1 Bus Priority MAP.....	4-1

Table of Contents (Continued)

Chapter 5 Static Memory Controller (SMC)

1 Overview	5-1
2 Feature	5-2
3 Block Diagram.....	5-3
3.1 Asynchronous Read	5-4
3.2 Synchronous Read/Synchronous Burst Read.....	5-6
3.3 Asynchronous Write	5-7
3.4 Synchronous Write/ Synchronous Burst Write	5-9
3.5 Bus Turnaround.....	5-10
4 Special Registers	5-13
4.1 Bank Idle Cycle Control Registers 0-5	5-13
4.2 Bank Read Wait State Control Registers 0-5.....	5-13
4.3 Bank Write Wait State Control Registers 0-5	5-14
4.4 Bank Output Enable Assertion Delay Control Registers 0-5.....	5-14
4.5 Bank Write Enable Assertion Delay Control Registers 0-5	5-15
4.6 Bank Control Registers 0-5	5-16
4.7 Bank Onenand Type Selection Register	5-18
4.8 SMC Status Register	5-18
4.9 SMC Control Register.....	5-19

Chapter 6 Mobile DRAM Controller

1 Overview	6-1
2 Block Diagram.....	6-2
3 Mobile DRAM Initialization Sequence.....	6-3
3.1 Mobile DRAM(SDRAM or mobile DDR) Initialization Sequence.....	6-3
3.2 DDR2 Initialization Sequence.....	6-3
3.3 Mobile DRAM Configuration Register	6-8
3.4 Mobile DRAM Control Register	6-9
3.5 Mobile DRAM Timming Control Register	6-10
3.6 Mobile DRAM (Extended) Mode Register Set Register.....	6-11
3.7 Mobile DRAM Refresh Control Register	6-14
3.8 Mobile DRAM Write Buffer Time out Register.....	6-14

Table of Contents (Continued)

Chapter 7 NAND Flash Controller

1 Overview.....	7-1
2 Features	7-1
3 Block Diagram	7-2
4 Boot Loader Function	7-2
5 GPC5/6/7 Pin Configuration Table in IROM Boot Mode	7-3
6 NAND Flash Memory Timing	7-3
7 NAND Flash Access.....	7-4
8 Data Register Configuration.....	7-5
9 Steppingstone (8KB in 64KB SRAM)	7-5
10 1bit / 4bit / 8bit ECC (Error Correction Code)	7-5
10.1 ECC Module Features	7-5
10.2 1-bit ECC Programming Encoding and Decoding	7-7
10.3 4-bit ECC Programming Guide (ENCODING).....	7-7
10.4 4-bit ECC Programming Guide (DECODING).....	7-8
10.5 8-bit ECC Programming Guide (ENCODING).....	7-8
10.6 8-bit ECC Programming Guide (DECODING).....	7-9
11 Memory Mapping(NAND boot and Other boot).....	7-10
12 NAND Flash Memory Configuration.....	7-11
13 NAND Flash Controller Special Registers	7-12
13.1 NAND Flash Controller Register Map.....	7-12
13.2 Nand Flash Configuration Register	7-13
13.3 Control Register.....	7-15
13.4 Command Register	7-17
13.5 Address Register	7-17
13.6 Data Register	7-17
13.7 Main Data area ECC Register	7-18
13.8 Spare area ECC Register	7-18
13.9 Progrmmable Block Address Register.....	7-19
13.10 NFFCON Status Register	7-21
13.11 ECC0/1 Error Status Register.....	7-22
13.12 Main Data Area ECC0 Status Register	7-24
13.13 Spare Area ECC Status Register	7-25
13.14 4-bit ECC Error Patten Register	7-25
13.15 ECC 0/1/2 for 8bit ECC Status Register.....	7-26
13.16 8bit ECC Main Data ECC 0/1/2/3 Status Register.....	7-27
13.17 8bit ECC Error Pattern Register	7-28

Table of Contents (Continued)

Chapter 8 DMA Controller

1 Overview	8-1
2 DMA Request Sources	8-2
3 DMA Operation	8-3
3.1 External DMA Dreq/Dack Protocol	8-4
3.2 Examples of Possible Cases	8-7
4 DMA Special Registers	8-8
4.1 DMA Initial Source Register (DISRC)	8-8
4.2 DMA Initial Source Control Register (DISRCC)	8-9
4.3 DMA Initial Destination Register (DIDST)	8-10
4.4 DMA Initial Destination Control Register (DIDSTC)	8-11
4.5 DMA Control Register (DCON)	8-12
4.6 DMA Status Register (DSTAT)	8-14
4.7 DMA Current Source Register (DCSRC)	8-15
4.8 Current Destination Register (DCDST)	8-15
4.9 DMA Mask Trigger Register (DMASKTRIG)	8-16
4.10 DMA Request Selection Register (DMAREQSEL)	8-17

Chapter 9 Interrupt Controller

1 Overview	9-1
1.1 Interrupt Controller Operation	9-3
1.2 Interrupt Sources	9-4
1.3 Interrupt Priority Generating Block	9-6
1.4 Interrupt Priority	9-7
2 Interrupt Controller Special Registers	9-8
2.1 Source Pending (SRCPND) Register	9-10
2.2 Interrupt Mode (INTMOD) Register	9-12
2.3 Interrupt Mask (INTMSK) Register	9-14
2.4 Interrupt Pending (INTPND) Register	9-16
2.5 Interrupt Offset (INTOFFSET) Register	9-18
2.6 Sub Source Pending (SUBSRCPND) Register	9-20
2.7 Interrupt Sub Mask (INTSUBMSK) Register	9-22
2.8 Priority Mode Register (priority_MODE)	9-24
2.9 Priority Update Register (priority_UPDATE)	9-29

Table of Contents (Continued)

Chapter 10 I/O Ports

1 Overview.....	10-1
2 Port Control Descriptions	10-9
2.1 Port Configuration Register (GPACON-GPMCON).....	10-9
2.2 Port Data Register (GPADAT-GPMDAT)	10-9
2.3 Port Pull-Up/Down Register (GPBUDP-GPMUDP).....	10-9
2.4 Miscellaneous Control Register	10-9
2.5 External Interrupt Control Register	10-9
3 I/O Port Control Register.....	10-10
3.1 PORT A Control Registers (GPACON, GPADAT).....	10-10
3.2 PORT B Control Registers (GPBCON, GPBDAT, GPBUDP, GPBSEL).....	10-12
3.3 PORT C Control Registers (GPCCON, GPCDAT, GPCUDP)	10-14
3.4 PORT D Control Registers (GPDCON, GPDDAT, GPDUDP)	10-16
3.5 PORT E Control Registers (GPECON, GPEDAT, GPEUDP, GPESEL).....	10-18
3.6 PORT F Control Registers (GPFCON, GPFDAT, GPFUDP).....	10-20
3.7 PORT G Control Registers (GPGCON, GPGDAT, GPGUDP).....	10-21
3.8 PORT H Control Registers (GPHCON, GPHDAT, GPHUDP)	10-23
3.9 PORT J Control Registers (GPJCON, GPJDAT, GPJUDP, GPJSEL).....	10-25
3.10 PORT K Control Registers (GPKCON, GPKDAT, GPKUDP)	10-27
3.11 PORT L Control Registers (GPLCON, GPLDAT, GPLUDP, GPLSEL).....	10-29
3.12 PORT M Control Registers (GPMCON, GPMDAT, GPMUDP).....	10-31
3.13 Miscellaneous Control Register (MISCCR)	10-32
3.14 DCLK Control Registers (DCLKCON)	10-34
3.15 EXTINTn (External Interrupt Control Register n).....	10-35
3.16 EINTFLTn (External Interrupt Filter Register n).....	10-40
3.17 EINTMASK (External Interrupt Mask Register)	10-41
3.18 EINTPEND (External Interrupt Pending Register).....	10-42
3.19 GSTATUSn (General Status Registers)	10-43
3.20 DSCn (Drive Strength Control)	10-44
3.21 PDDMCON (Power Down SDRAM Control Register)	10-48
3.22 PDSMCON (Power Down SRAM Control Register).....	10-49
4 GPIO Alive & Sleep Part	10-51

Table of Contents (Continued)

Chapter 11 WatchDog Timer

1 Overview	11-1
1.1 Features.....	11-1
2 Watchdog Timer Operation.....	11-2
2.1 Block Diagram	11-2
2.2 WTDAT & WTCNT	11-2
2.3 Consideration of Debugging Environment	11-3
3 Watchdog Timer Special Registers	11-4
3.1 Watchdog Timer Control (WTCNT) Register.....	11-4
3.2 Watchdog Timer Data (WTDAT) Register.....	11-5
3.3 Watchdog Timer Count (WTCNT) Register	11-5

Chapter 12 PWM Timer

1 Overview	12-1
1.1 Feature	12-1
2 PWM Timer Operation	12-3
2.1 Prescaler & Divider.....	12-3
2.2 Basic Timer Operation.....	12-4
2.3 Auto Reload & Double Buffering	12-5
2.4 Timer Initialization Using Manual Update Bit and Inverter Bit.....	12-6
2.5 Timer Operation.....	12-7
2.6 Pulse Width Modulation (PWM)	12-8
2.7 Output Level Control.....	12-9
2.8 DEAD Zone Generator	12-10
2.9 DMA Request Mode	12-11
3 PWM Timer Control Registers	12-12
3.1 Timer Configuration Register0 (TCFG0)	12-12
3.2 Timer Configuration Register1 (TCFG1)	12-13
3.3 Timer Control (TCNT) Register.....	12-14
3.4 Timer 0 Count Buffer Register & Compare Buffer Register (TCNTB0/TCMPB0).....	12-16
3.5 Timer 0 Count Observation Register (TCNTO0).....	12-16
3.6 Timer 1 Count Buffer Register & Compare Buffer Register (TCNTB1/TCMPB1).....	12-17
3.7 Timer 1 Count Observation Register (TCNTO1).....	12-17
3.8 Timer 2 Count Buffer Register & Compare Buffer Register (TCNTB2/TCMPB2).....	12-18
3.9 Timer 2 Count Observation Register (TCNTO2).....	12-18
3.10 Timer 3 Count Buffer Register & Compare Buffer Register (TCNTB3/TCMPB3).....	12-19
3.11 Timer 3 Count Observation Register (TCNTO3).....	12-19
3.12 Timer 4 Count Buffer Register (TCNTB4)	12-20
3.13 Timer 4 Count Observation Register (TCNTO4).....	12-20

Table of Contents (Continued)

Chapter 13 Real Time Clock (RTC)

1 Overview.....	13-1
1.1 Features.....	13-1
1.2 Real Time Clock Operation Description	13-2
1.3 External Interface.....	13-6
1.4 Register Description	13-7
1.5 Individual Register Descriptions	13-8

Chapter 14 UART

1 Overview.....	14-1
1.1 Features.....	14-1
2 Block Diagram	14-2
2.1 UART Operation	14-3
3 UART Special Registers	14-12
3.1 UART Line Control Register	14-12
3.2 UART Control Register	14-13
3.3 UART FIFO Control Register.....	14-15
3.4 UART Modem Control Register	14-16
3.5 UART Tx/Rx Status Register	14-17
3.6 UART Error Status Register	14-18
3.7 UART FIFO Status Register	14-19
3.8 UART Modem Status Register	14-20
3.9 UART Transmit BUffer register (Holding Register & FIFO Register)	14-21
3.10 UART Receive BUffer Register (Holding Register & FIFO Register).....	14-21
3.11 UART Baud RATE Divisor Register	14-22
3.12 UART Dividing Slot Register.....	14-23

Chapter 15 USB Host Controller

1 Overview.....	14-1
1.1 USB Host Controller Special Registers	14-2

Table of Contents (Continued)

Chapter 16 USB 2.0 Function

1 Overview	16-1
1.1 Feature	16-1
2 Block Diagram.....	16-2
3 To Activate USB Port1 for USB 2.0 Function	16-3
4 SIE (Serial Interface Engine)	16-4
5 UPH (Universal Protocol Handler)	16-4
6 UTMI (USB 2.0 Transceiver Macrocell Interface).....	16-4
7 USB 2.0 Function Controller Special Registers.....	16-5
8 Registers	16-7
8.1 Index Register (IR)	16-7
8.2 Endpoint Interrupt Register (EIR).....	16-8
8.3 Endpoint Interrupt Enable Register (EIER)	16-9
8.4 Function Address Register (FAR)	16-10
8.5 ENdpoint Direction Register (EDR).....	16-11
8.6 Test Register (TR).....	16-12
8.7 System Status Register (SSR).....	16-13
8.8 System Control Register (SCR)	16-15
8.9 EP0 Status Register (EP0SR).....	16-16
8.10 EP0 Control Register (EP0CR).....	16-17
8.11 Endpoint# Buffer Register (EP#BR).....	16-18
8.12 Endpoint Status Register (ESR).....	16-19
8.13 Endpoint Control Register (ECR).....	16-21
8.14 Byte read Count Register (BRCR)	16-22
8.15 Byte Write Count Register (BWCR)	16-23
8.16 MAX Packet Register (MPR).....	16-24
8.17 DMA Control Register (DCR)	16-25
8.18 DMA Transfer Counter Register (DTCR)	16-26
8.19 DMA FIFO Counter Register (DFCR)	16-27
8.20 DMA Total Transfer Counter Register 1/2 (DTTCR 1/2).....	16-28
8.21 DMA Interface Control Register (DICR).....	16-29
8.22 Memory Base Address Register (MBAR).....	16-30
8.23 Memory Current Address Register (MCAR).....	16-31
8.24 Burst FIFO Control Register(FCON)	16-31
8.25 Burst FIFO Status Register(FSTAT)	16-31
8.26 AHB Master(DMA) Operation Flow Chart	16-32

Table of Contents (Continued)

Chapter 17 IIC-Bus Interface

1 Overview.....	17-1
1.1 IIC-Bus Interface.....	17-3
1.2 Start And Stop Conditions	17-3
1.3 Data Transfer Format	17-4
1.4 ACK Signal Transmission.....	17-5
1.5 Read-Write Operation.....	17-6
1.6 Bus Arbitration Procedures.....	17-6
1.7 Abort Conditions	17-6
1.8 Configuring IIC-Bus.....	17-6
1.9 Flowcharts of Operations in Each Mode.....	17-7
2 IIC-Bus Interface Special Registers	17-11
2.1 Multi-Master IIC-Bus Control (IICCON) Register.....	17-11
2.2 Multi-Master IIC-Bus Control/Status (IICSTAT) Register	17-12
2.3 Multi-Master IIC-Bus Address (IICADD) Register	17-13
2.4 Multi-Master IIC-Bus Transmit/Receive Data Shift (IICDS) Register	17-13
2.5 Multi-Master IIC-Bus Line Control(IICLC) Register	17-14

Chapter 18 2D

1 Introduction.....	18-1
1.1 Features.....	18-1
2 Color Format Conversion	18-2
3 Command FIFO.....	18-3
4 Rendering Pipeline.....	18-4
4.1 Primitive Drawing.....	18-4
4.2 Rotation.....	18-9
4.3 Clipping.....	18-11
4.4 Stencil Test	18-11
4.5 Raster Operation.....	18-11
4.6 Alpha Blending.....	18-13
5 Register Descriptions	18-14
5.1 General Registers.....	18-16
5.2 Command Registers	18-19
5.3 Parameter Setting Registers.....	18-21

Table of Contents (Continued)

Chapter 19 HS_SPI Controller

1 Overview	19-1
2 Features	19-1
3 Signal Descriptions	19-2
4 Operation	19-2
4.1 Operation Mode	19-3
4.2 FIFO Access	19-3
4.3 Trailing Bytes in the Rx FIFO	19-3
4.4 Packet Number Control	19-3
4.5 NCS Control	19-3
4.6 HS_SPI Transfer Format	19-4
5 External Loading Capacitance	19-5
6 Special Function Register Descriptions	19-5
6.1 Setting Sequence of Special Function Register	19-5
6.2 Special Function Register	19-6

Chapter 20 SD/MMC Host Controller

1 Overview	20-1
2 Features	20-1
3 Block Diagram	20-2
4 Sequence	20-3
4.1 SD Card Detection Sequence	20-3
4.2 SD Clock Supply Sequence	20-4
4.3 SD Clock Stop Sequence	20-5
4.4 SD Clock Frequency Change Sequence	20-5
4.5 SD Bus Power Control Sequence	20-6
4.6 Change Bus Width Sequence	20-7
4.7 Timeout Setting for DAT Line	20-8
4.8 SD Transaction Generation	20-8
4.9 SD Command Issue Sequence	20-9
4.10 Command Complete Sequence	20-10
4.11 Transaction Control with Data Transfer Using DAT Line	20-12
4.12 Abort Transaction	20-16
5 SDI Special Registers	20-17
5.1 Configuration Register Types	20-17
5.2 SDMA System Address Register	20-18
5.3 Block Size Register	20-19
5.4 Block Count Register	20-21
5.5 Argument Register	20-22
5.6 Transfer Mode Register	20-23
5.7 Command Register	20-25
5.8 Response Register	20-27
5.9 Buffer Data Port Register	20-29
5.10 Present State Register	20-30
5.11 Host Control Register	20-36
5.12 Power Control Register	20-37

Table of Contents (Continued)

Chapter 20 SD/MMC Host Controller (Continued)

5.13	Block Gap Control Register	20-38
5.14	Wakeup Control Register.....	20-40
5.15	Clock Control Register	20-41
5.16	Timeout Control Register.....	20-43
5.17	Software Reset Register.....	20-44
5.18	Normal Interrupt Status Register	20-46
5.19	Error Interrupt Status Register	20-50
5.20	Normal Interrupt Status Enable Register	20-53
5.21	Error Interrupt Status Enable Register	20-55
5.22	Normal Interrupt Signal Enable Register	20-56
5.23	Error Interrupt Signal Enable Register.....	20-58
5.24	Autocmd12 Error Status Register.....	20-59
5.25	Capabilities Register	20-61
5.26	Maximum Current Capabilities Register	20-63
5.27	Control Register 2.....	20-64
5.28	Control Register 3.....	20-67
5.29	Debug Register.....	20-68
5.30	Control Register 4.....	20-68
5.31	Force Event Register for Auto CMD12 Error Status.....	20-69
5.32	Force Event Register for Error Interrupt Status.....	20-70
5.33	ADMA Error Status Register.....	20-71
5.34	ADMA System Address Register.....	20-73
5.35	HOST Controller Version Register	20-74

Chapter 21 LCD Controller

1	Overview.....	21-1
1.1	Features.....	21-2
2	Functional Description.....	21-3
2.1	Brief of the sub-block	21-3
2.2	Data Flow.....	21-3
2.3	Interface	21-4
2.4	Overview of the Color Data.....	21-5
2.5	VD signal Connection	21-18
2.6	Palette usage	21-20
3	Window Blending.....	21-22
3.1	Overview	21-22
3.2	Blending Diagram/Details	21-23
4	Vtime Controller Operation.....	21-26
4.1	RGB Interface	21-26
4.2	I80-System Interface.....	21-26
5	Virtual Display	21-27
6	RGB Interface I/O.....	21-28
7	LCD CPU Interface I/O (I80-system I/F)	21-29
8	Programmer's Model.....	21-31
8.1	Overview	21-31

Table of Contents (Continued)

Chapter 22 ADC & Touch Screen Interface

1 Overview	22-1
1.1 Features.....	22-1
2 ADC & Touch Screen Interface Operation.....	22-2
2.1 Block Diagram	22-2
2.2 Function Descriptions.....	22-3
3 ADC and Touch Screen Interface Special Registers.....	22-5
3.1 ADC Control (ADCCON) Register.....	22-5
3.2 ADC Touch Screen Control (ADCTSC) Register.....	22-6
3.3 ADC Start Delay (ADCDLY) Register.....	22-7
3.4 ADC Conversion Data (ADCDAT0) Register	22-8
3.5 ADC Conversion Data (ADCDAT1) Register	22-9
3.6 ADC Touch Screen up-Down Int Check Register (ADCUPDN).....	22-9
3.7 ADC Channel Mux Register (ADCMUX)	22-10

Chapter 23 IIS Multi Audio Interface

1 Overview	23-1
2 Feature.....	23-1
3 Signals	23-1
4 Block Diagram.....	23-2
5 Functional Descriptions.....	23-2
5.1 Master/Slave Mode.....	23-3
5.2 DMA Transfer	23-4
6 Audio Serial Data Format.....	23-5
6.1 IIS-Bus Format	23-5
6.2 MSB (Left) Justified	23-5
6.3 LSB (Right) Justified.....	23-5
6.4 Sampling Frequency and Master Clock	23-7
6.5 IIS Clock Mapping Table	23-7
7 Programming Guide.....	23-8
7.1 Initialization	23-8
7.2 Play Mode (TX mode) with DMA	23-8
7.3 Recording Mode (RX mode) with DMA	23-8
7.4 Example Code	23-9
8 IIS-BUS Interface Special Registers.....	23-15
8.1 IIS Control Register (IISCON)	23-16
8.2 IIS Mode Register (IISMOD)	23-18
8.3 IIS FIFO Control Register (IISFIC)	23-20
8.4 IIS Prescaler Control Register (IISPSR).....	23-20
8.5 IIS Transmit Register (IISTXD).....	23-21
8.6 IIS Receive Register (IISRXD)	23-21

Table of Contents (Continued)

Chapter 24 AC97 Controller

1 Overview.....	24-1
1.1 Feature.....	24-1
1.2 Signals.....	24-1
2 AC97 Controller Operation.....	24-2
2.1 Block Diagram.....	24-2
2.2 Internal Data Path.....	24-3
3 Operation Flow Chart.....	24-4
4 AC-link Digital Interface Protocol.....	24-5
4.1 AC-link Output Frame (SDATA_OUT).....	24-6
4.2 AC-link Input Frame (SDATA_IN).....	24-7
5 AC97 Power-Down.....	24-9
6 Codec Reset.....	24-10
7 AC97 Controller State Diagram.....	24-11
8 AC97 Controller Special Registers.....	24-12
8.1 AC97 Special Function Register Summary.....	24-12
8.2 AC97 Global Control Register (AC_GLBCTRL).....	24-13
8.3 AC97 Global Status Register (AC_GLBSTAT).....	24-14
8.4 AC97 Codec Command Register (AC_CODEC_CMD).....	24-14
8.5 AC97 Codec Status Register (AC_CODEC_STAT).....	24-15
8.6 AC97 PCM Out/In Channel Fifo Address Register (AC_PCMADDR).....	24-15
8.7 AC97 MIC In Channel FIFO Address Register (AC_MICADDR).....	24-16
8.8 AC97 PCM Out/In Channel FIFO Data Register (AC_PCMDATA).....	24-16
8.9 AC97 MIC In Channel FIFO Data Register (AC_MICDATA).....	24-16

Table of Contents (Continued)

Chapter 25 PCM Audio Interface

1 Overview	25-1
1.1 Feature	25-1
1.2 Signals	25-1
2 PCM Audio Interface	25-2
3 PCM Timing	25-3
3.1 PCM Input Clock Diagram	25-4
3.2 PCM Registers	25-5
3.3 PCM Register Summary	25-5
3.4 PCM Control Register	25-6
3.5 PCM CLK Control Register	25-8
3.6 The PCM Tx FIFO Register	25-9
3.7 PCM Rx FIFO Register	25-10
3.8 PCM Interrupt Control Register	25-11
3.9 PCM Interrupt Status Register	25-14
3.10 PCM FIFO Status Register	25-16
3.11 PCM Interrupt Clear Register	25-17

Chapter 26 Electrical Data

1 Absolute Maximum Ratings	26-1
2 Recommended Operating Conditions	26-2
3 D.C. Electrical Characteristics	26-3
4 A.C. Electrical Characteristics	26-5

Chapter 27 Mechanical Data

1 Package Dimensions	27-1
----------------------------	------

List of Figures

Figure Number	Title	Page Number
1-1	S3C2416 Block Diagram.....	1-5
1-2	S3C2416 Pin Assignments (400-FBGA) Top view	1-6
1-3	Memory Map	1-32
2-1	System Controller Block Diagram	2-2
2-2	Power-On Reset Sequence	2-4
2-3	Clock Generator Block Diagram	2-6
2-4	Main Oscillator Circuit Examples	2-7
2-5	PLL(Phase-Locked Loop) Block Diagram.....	2-8
2-6	The Case that Changes Slow Clock by Setting PMS Value.....	2-8
2-7	The Clock Distribution Block Diagram	2-9
2-8	MPLL Based Clock Domain	2-9
2-9	EPLL Based Clock Domain.....	2-12
2-10	Power Mode State Diagram.....	2-13
2-11	Entering STOP Mode and Exiting STOP Mode (wake-up).....	2-17
2-12	Entering SLEEP Mode and Exiting SLEEP Mode (wake-up)	2-18
2-13	Usage of PWROFF_SLP	2-34
3-1	The Configuration of MATRIX and Memory Sub-System of S3C2416.....	3-1
5-1	SMC Block Diagram.....	5-3
5-2	SMC Core Block Diagram.....	5-3
5-3	External Memory Two Output Enable Delay State Read.....	5-4
5-4	Read Timing Diagram (DRnCS = 1, DRnOWE = 0)	5-4
5-5	Read Timing Diagram (DRnCS = 1, DRnOWE = 1)	5-5
5-7	External Synchronous Fixed Length Four Transfer Burst Read.....	5-6
5-8	External Memory Two Write Enable Delay State Write	5-7
5-9	Write Timing Diagram (DRnCS = 1, DRnOWE = 0)	5-8
5-10	Write Timing Diagram (DRnCS = 1, DRnOWE = 1)	5-8
5-11	Synchronous Two Wait State Write	5-9
5-12	Read, then two Writes (WSTRD=WSTWR=0), Two Turnaround Cycles (IDCY=2)....	5-10
5-13	Memory Interface with 8-bit SRAM (2MB)	5-12
5-14	Memory Interface with 16-bit SRAM (4MB)	5-12
6-1	Mobile DRAM Controller Block Diagram.....	6-2
6-2	Memory Interface with 16-bit SDRAM (4Mx16, 4banks)	6-4
6-3	Memory Interface with 32-bit SDRAM (4Mx16 * 2ea, 4banks).....	6-4
6-4	Memory Interface with 16-bit Mobile DDR and DDR2	6-5
6-5	DRAM Timing Diagram	6-6
6-6	CL (CAS Latency) Timing Diagram.....	6-6
6-7	t _{ARFC} Timing Diagram.....	6-7

List of Figures

Figure Number	Title	Page Number
7-1	NAND Flash Controller Block Diagram.....	7-2
7-2	NAND Flash Controller Boot Loader Block Diagram.....	7-2
7-3	CLE & ALE Timing (TACLS=1, TWRPH0=0, TWRPH1=0) Block Diagram.....	7-3
7-4	nWE & nRE Timing (TWRPH0=0, TWRPH1=0) Block Diagram.....	7-4
7-5	NAND Flash Memory Mapping Block Diagram.....	7-10
7-6	A 8-bit NAND Flash Memory Interface Block Diagram.....	7-11
7-7	Softlock and Lock-tight.....	7-20
8-1	Basic DMA Timing Diagram.....	8-4
8-2	Demand/Handshake Mode Comparison.....	8-5
8-3	Burst 4 Transfer size.....	8-6
8-4	Single service, Demand Mode, Single Transfer Size.....	8-7
8-5	Single service, Handshake Mode, Single Transfer Size.....	8-7
8-6	Whole service, Handshake Mode, Single Transfer Size.....	8-7
9-1	Interrupt Process Diagram.....	9-1
9-2	Interrupt Group Multiplexing Diagram.....	9-2
9-3	Priority Generating Block.....	9-6
11-1	Watchdog Timer Block Diagram.....	11-2
12-1	16-bit PWM Timer Block Diagram.....	12-2
12-2	Timer Operations.....	12-4
12-3	Example of Double Buffering Function.....	12-5
12-4	Example of a Timer Operation.....	12-7
12-5	Example of PWM.....	12-8
12-6	Inverter On/Off.....	12-9
12-7	The Wave Form When a Dead Zone Feature is Enabled.....	12-10
12-8	Timer4 DMA Mode Operation.....	12-11

List of Figures

Figure Number	Title	Page Number
13-1	Real Time Clock Block Diagram	13-2
13-2	RTC Tick Interrupt Clock Scheme	13-5
13-3	Main Oscillator Circuit Example	13-6
14-1	UART Block Diagram (with FIFO).....	14-2
14-2	UART AFC Interface	14-4
14-3	Example showing UART Receiving 5 Characters with 2 Errors	14-7
14-4	IrDA Function Block Diagram.....	14-8
14-5	Serial I/O Frame Timing Diagram (Normal UART)	14-9
14-6	Infrared Transmit Mode Frame Timing Diagram.....	14-9
14-7	Infrared Receive Mode Frame Timing Diagram.....	14-9
14-8	nCTS and Delta CTS Timing Diagram.....	14-20
15-1	USB Host Controller Block Diagram	15-1
16-1	USB2.0 Block Diagram	16-2
16-2	USB2.0 Function Block Diagram	16-3
16-3	OUT Transfer Operation Flow.....	16-32
16-4	IN Transfer Operation Flow.....	16-33
17-1	IIC-Bus Block Diagram.....	17-2
17-2	Start and Stop Condition	17-3
17-3	IIC-Bus Interface Data Format	17-4
17-4	Data Transfer on the IIC-Bus	17-5
17-5	Acknowledge on the IIC-Bus.....	17-5
17-6	Operations for Master/Transmitter Mode.....	17-7
17-7	Operations for Master/Receiver Mode	17-8
17-8	Operations for Slave/Transmitter Mode.....	17-9
17-9	Operations for Slave/Receiver Mode	17-10
18-1	Color Format	18-2
18-3	2D Rendering Pipeline	18-4
18-4	Data Format	18-4
18-5	Transparent Mode.....	18-6
18-6	Color Expansion.....	18-8
18-7	Font Drawing with Transparent Mode.....	18-8
18-8	Rotation Example	18-10

List of Figures

Figure Number	Title	Page Number
19-1	HS_SPI Transfer Format	19-4
20-1	HSMC Block Diagram.....	20-2
20-2	SD Card Detect Sequence	20-3
20-3	SD Clock Supply Sequence	20-4
20-4	SD Clock Stop Sequence	20-5
20-5	SD Clock Change Sequence.....	20-5
20-6	SD Bus Power Control Sequence	20-6
20-7	Change Bus Width Sequence	20-7
20-8	Timeout Setting Sequence	20-8
20-9	Timeout Setting Sequence	20-9
20-10	Command Complete Sequence	20-11
20-11	Transaction Control with Data Transfer Using DAT Line Sequence (Not using DMA) 20-13	
20-12	Transaction Control with Data Transfer Using DAT Line Sequence (Using DMA)	20-15
20-13	Card Detect State	20-34
20-14	Timing of Command Inhibit (DAT) and Command Inhibit (CMD) with data transfer ...	20-35
20-15	Timing of Command Inhibit (DAT) for the case of response with busy	20-35
20-16	Timing of Command Inhibit (CMD) for the case of no response command	20-35
21-1	LCD Controller Block diagram	21-1
21-2	Block diagram of the Data Flow.....	21-4
21-3	16BPP(1+5:5:5, BSWP/HWSWP=0) Display Types	21-12
21-4	16BPP(5:6:5, BSWP/HWSWP=0) Display Types	21-13
21-5	Blending Operations	21-22
21-6	Color Key Block Diagram.....	21-24
21-7	Color Key Operations	21-24
21-8	Color Key Function Configurations.....	21-25
21-9	Example of Scrolling in Virtual Display	21-27
21-10	LCD RGB Interface Timing	21-28
21-11	Write Cycle Timing.....	21-29

List of Figures

Figure Number	Title	Page Number
22-1	ADC and Touch Screen Interface Block Diagram	22-2
22-2	Timing Diagram in Auto (Sequential) X/Y Position Conversion Mode.....	22-4
23-1	IIS-Bus Block Diagram.....	23-2
23-2	IIS Clock Control Block Diagram.....	23-3
23-3	IIS Audio Serial Data Formats	23-6
23-4	TX FIFO Structure for BLC = 00 or BLC = 01	23-10
23-5	TX FIFO Structure for BLC = 10 (24-bits/channel)	23-11
23-6	RX FIFO Structure for BLC = 00 or BLC = 01	23-13
23-7	RX FIFO Structure for BLC = 10 (24-bits/channel).....	23-14
24-1	AC97 Block Diagram.....	24-2
24-2	Internal Data Path	24-3
24-3	AC97 Operation Flow Chart.....	24-4
24-4	Bi-directional AC-link Frame with Slot Assignments.....	24-5
24-5	AC-link Output Frame	24-6
24-6	AC-link Input Frame	24-8
24-7	AC97 Power-down Timing	24-9
24-9	AC97 State Diagram	24-11
25-1	PCM timing, TX_MSB_POS / RX_MSB_POS = 0.....	25-3
25-2	PCM timing, TX_MSB_POS / RX_MSB_POS = 1.....	25-3
25-3	Input Clock Diagram for PCM	25-4

List of Figures

Figure Number	Title	Page Number
26-1	XTIpll Clock Timing	26-6
26-2	EXTCLK Clock Input Timing	26-6
26-3	EXTCLK/HCLK in case that EXTCLK is used without the PLL	26-6
26-4	HCLK/CLKOUT/SCLK in case that EXTCLK is used	26-7
26-5	Manual Reset Input Timing	26-7
26-6	Power-On Oscillation Setting Timing	26-8
26-7	Sleep Mode Return Oscillation Setting Timing	26-09
26-8	SMC Synchronous Read Timing	26-10
26-9	SMC Asynchronous Read Timing	26-10
26-10	SMC Asynchronous Write Timing	26-11
26-11	SMC Synchronous Write Timing	26-11
26-12	SMC Wait Timing	26-12
26-13	Nand Flash Timing	26-13
26-14	SDRAM READ / WRITE Timing (Trp = 2, Trcd = 2, Tcl = 2, DW = 16-bit)	26-14
26-15	DDR2 Timing	26-15
26-16	SDRAM MRS Timing	26-16
26-17	SDRAM Auto Refresh Timing (Trp = 2, Trc = 4)	26-17
26-18	External DMA Timing (Handshake, Single transfer)	26-18
26-19	TFT LCD Controller Timing	26-18
26-20	IIS Interface Timing (I2S Master Mode Only)	26-19
26-21	IIS Interface Timing (I2S Slave Mode Only)	26-19
26-22	IIC Interface Timing	26-19
26-23	High Speed SDMMC Interface Timing	26-20
26-24	High Speed SPI Interface Timing (CPHA = 0, CPOL = 0)	26-20
26-25	USB Timing (Data signal rise/fall time)	26-21
26-26	PCM Interface Timing	26-21
27-1	400-FBGA-1313 Package Dimension 1 (Top View)	27-1
27-2	400-FBGA-1313 Package Dimension 2 (Bottom View)	27-2

List of Tables

Table Number	Title	Page Number
1-1	400-Pin FBGA Pin Assignments – Pin Number Order (1/4)	1-7
1-1	400-Pin FBGA Pin Assignments – Pin Number Order (2/4)	1-8
1-1	400-Pin FBGA Pin Assignments – Pin Number Order (3/4)	1-9
1-1	400-Pin FBGA Pin Assignments – Pin Number Order (4/4)	1-10
1-2	S3C2416 400-Pin FBGA Pin Assignments	1-11
1-3	I/O Cell Types and Descriptions	1-23
1-4	S3C2416 Signal Descriptions	1-24
1-5	S3C2416 Operation Mode Description	1-31
1-6	Base Address of Special Registers.....	1-33
1-7	S3C2416 Special Registers	1-34
2-1	Registers & GPIO Status in RESET (R: reset, S: sustain previous value)	2-5
2-2	Clock source selection for the main PLL and clock generation logic	2-6
2-3	Clock Source Selection for the EPLL.....	2-7
2-4	PLL & Clock Generator Condition.....	2-7
2-5	Clock Division Ratio of MPLL Region	2-10
2-6	ESYSCLK Control	2-12
2-7	The Status of PLL and ARMCLK After Wake-up	2-19
2-8	Power Saving Mode Entering/Exiting Condition	2-20
2-9	System Controller Address Map	2-21
8-1	DMA request sources for each channel.....	8-2
10-1	S3C2416 Port Configuration (Sheet 1)	10-2
13-1	RTC Register summary	13-7
14-1	Example of nRTS signal change by FIFO Spare size (In case of Reception Case in UART A)	14-4
14-2	Interrupts in Connection with FIFO	14-6
14-3	Clock, EPLL Speed Guide	14-11
14-4	Recommended Value Table of DIVSLOTn Register	14-23
15-1	OHCI Registers for USB Host Controller	15-2

List of Tables

Table Number	Title	Page Number
16-1	Non-Indexed Registers.....	16-5
16-2	Indexed Registers.....	16-6
19-1	External Signals Description.....	19-2
20-1	Determination of Transfer Type.....	20-24
20-2	Relation Between Parameters and the Name of Response Type.....	20-26
20-3	Response Bit Definition for Each Response Type.	20-27
20-4	The relation between Command CRC Error and Command Timeout Error	20-52
20-5	The Relation Between Command CRC Error and Command Timeout Error.....	20-60
20-6	Maximum Current Value Definition	20-63
21-1	25BPP(A:8:8:8) Palette Data Format	21-20
21-2	19BPP (A:6:6:6) Palette Data Format	21-21
21-3	16BPP(A:5:5:5) Palette Data Format	21-21
21-4	Alpha Value Selection Table for Blending	21-23
21-5	Relation between VCLK and CLKVAL (Freq. of Video Clock Source=60MHz)	21-26
21-6	LCD Signal Muxing Table (RGB and i-80 I/F)	21-30
23-1	CODEC clock (CODECLK = 256fs, 384fs, 512fs, 768fs).....	23-7
23-2	IIS Clock Mapping Table.....	23-7
24-1	Input Slot 1 Bit Definitions.....	24-7

List of Tables

Table Number	Title	Page Number
26-1	Absolute Maximum Rating	26-1
26-2	Recommended Operating Conditions (400MHz).....	26-2
26-3	Normal I/O PAD DC Electrical Characteristics	26-3
26-4	Special Memory DDR I/O PAD DC Electrical Characteristics	26-4
26-5	USB DC Electrical Characteristics	26-5
26-6	RTC OSC DC Electrical Characteristics	26-5
26-7	Clock Timing Constants	26-22
26-8	SMC Timing Constants	26-23
26-9	NFCON Bus Timing Constants	26-23
26-10	Memory Interface Timing Constants (SDRAM)	26-24
26-11	DMA Controller Module Signal Timing Constants	26-25
26-12	TFT LCD Controller Module Signal Timing Constants	26-25
26-13	IIS Controller Module Signal Timing Constants(I2S Master Mode Only)	26-25
26-14	IIS Controller Module Signal Timing Constants(I2S Slave Mode Only).....	26-26
26-15	IIC BUS Controller Module Signal Timing.....	26-26
26-16	High Speed SPI Interface Transmit/Receive Timing Constants	26-27
26-17	USB Electrical Specifications	26-27
26-18	USB Full Speed Output Buffer Electrical Characteristics.....	26-28
26-19	USB High Speed Output Buffer Electrical Characteristics.....	26-28
26-20	High Speed SDMMC Interface Transmit/Receive Timing Constants	26-28
26-21	PCM Interface Timing	26-29

1

PRODUCT OVERVIEW

1 INTRODUCTION

This user's manual describes SAMSUNG's S3C2416X 16/32-bit RISC microprocessor. SAMSUNG's S3C2416X is designed to provide hand-held devices and general applications with low-power, and high-performance micro-controller solution in small die size. To reduce total system cost, the S3C2416X includes the following components.

The S3C2416X is developed with ARM926EJ core, 65nm CMOS standard cells and a memory complier. Its low-power, simple, elegant and fully static design is particularly suitable for cost- and power-sensitive applications. It adopts a new bus architecture known as Advanced Micro controller Bus Architecture (AMBA).

The S3C2416X offers outstanding features with its CPU core, a 16/32-bit ARM926EJ RISC processor designed by Advanced RISC Machines, Ltd. The ARM926EJ implements MMU, AMBA BUS, and Harvard cache architecture with separate 16KB instruction and 16KB data caches, each with an 8-word line length.

By providing a complete set of common system peripherals, the S3C2416X minimizes overall system costs and eliminates the need to configure additional components. The integrated on-chip functions that are described in this document include:

- Around 400MHz @1.3V Core, 266MHz @1.3V Core, 1.8V/2.5V/3.0V/3.3V ROM/SRAM, 1.8V/2.5V mSDR/mDDR/DDR2 SDRAM, 1.8V/2.5V/3.3V external I/O microprocessor with 16KB I/D-Cache/MMU
- External memory controller (mSDR/mDDR/DDR2 SDRAM Control and Chip Select logic)
- LCD controller (up to 256K color) with LCD-dedicated DMA
- 6-ch DMA controllers with external request pins
- 4-ch UARTs (IrDA1.0, 64-Byte Tx FIFO, and 64-Byte Rx FIFO)
- 1-ch High Speed SPIs
- 1 IIC bus interfaces (multi-master support)
- 1 IIS Audio CODEC interfaces (24-bit, port 0 supports 5.1ch)
- AC97/PCM CODEC Interface (muxed with I2S)
- 2 High-Speed MMC and SDMMC combo (SD Host 2.0 and MMC protocol 4.2 compatible)
- 2-ch USB Host controller (ver 1.1 Compliant)/1-ch USB Device controller (ver 2.0 Compliant)
- 4-ch PWM timers / 1-ch Internal timer / Watch Dog Timer
- 10-ch 12-bit ADC and Touch screen interface
- RTC with calendar function
- 138 General Purpose I/O ports / 16-ch external interrupt source
- Power control: Normal, Idle, Stop, Deep Stop and Sleep mode
- On-chip clock generator with PLL

2 FEATURES

2.1.1 Architecture

- Integrated system for hand-held devices and general embedded applications.
- 16/32-Bit RISC architecture and powerful instruction set with ARM926EJ CPU core.
- Enhanced ARM architecture MMU to support WinCE, EPOC 32 and Linux.
- Instruction cache, data cache, write buffer and Physical address TAG RAM to reduce the effect of main memory bandwidth and latency on performance.
- ARM926EJ CPU core supports the ARM debug architecture.
- Internal Advanced Microcontroller Bus Architecture (AMBA) (AMBA2.0, AHB/APB).

2.1.2 System Manager

- Little/Big Endian support.
- Two independent memory bus - one for the ROM/SRAM bus (ROM Bank0~Bank5) and one for the DRAM bus (mSDR/mDDR/DDR2 SDRAM Bank0~Bank1)
- Address space: 64M bytes for Rom bank0 ~ bank5, 128M bytes for SDRAM bank0 ~ bank1.
- Supports programmable 8/16-bit data bus width for ROM/SRAM bank and programmable 16/32-bit data bus width for SDRAM bank
- Fixed bank start address from Rom bank 0 to bank 5 and SDRAM bank 0 to bank1.
- Eight memory banks:
 - Six memory banks for ROM, SRAM, and others (NAND etc.).
 - Two memory banks for Synchronous DRAM.
- Complete Programmable access cycles for all memory banks.
- Supports external wait signals to expand the bus cycle.
- Supports self-refresh mode in SDRAM for power-down.
- Supports various types of ROM for booting (NOR Flash, EEPROM, OneNAND, IROM and others).

2.1.3 NAND Flash

- Supports booting from NAND flash memory by selecting OM as IROM boot mode. (Only 8bit Nand and 8ECC is supported when it boots)
- 64KB for internal SRAM Buffer(8KB internal buffer for booting)
- Supports storage memory for NAND flash memory after booting.
- Supports Advanced NAND flash

2.1.4 Cache Memory

- 4-way set-associative cache with I-Cache (16KB) and D-Cache (16KB).
- 8words length per line with one valid bit and two dirty bits per line.
- Pseudo random or round robin replacement algorithm.
- Write-through or write-back cache operation to update the main memory.
- The write buffer can hold 16 words of data and four addresses.

2.1.5 Clock & Power Manager

- On-chip MPLL and EPLL:
 - EPLL generates the clock to operate USB Host, IIS, UART, etc.
 - MPLL generates the clock to operate MCU at maximum 400MHz @ 1.3 V.
- Clock can be fed selectively to each function block by software.
- Power mode: Normal, Idle, Stop, Deep Stop and Sleep mode
 - Normal mode: Normal operating mode
 - Idle mode: The clock for only CPU is stopped.
 - Stop mode: All clocks are stopped.
 - Deep Stop mode: CPU power is gated and all clocks are stopped.
 - Sleep mode: The Core power including all peripherals is shut down.
- Woken up by EINT[15:0] or RTC alarm & tick interrupt from Sleep mode and (Deep)STOP mode.

2 FEATURES (Continued)

2.1.6 Interrupt Controller

- 71 Interrupt sources
(One Watch dog timer, 5 timers, 12 UARTs, 16 external interrupts, 6 DMA, 2 RTC, 2 ADC, 1 IIC, 1 SPI, 2 SDI, 2 USB, 4 LCD, 1 Battery Fault, 1 NAND, 1 AC97 and 1 I2S, 1 PCM, 1 2D)
- Level/Edge mode on external interrupt source
- Programmable polarity of edge and level
- Supports Fast Interrupt request (FIQ) for very urgent interrupt request

2.1.7 Timer with Pulse Width Modulation (PWM)

- 4-ch 16-bit Timer with PWM / 1-ch 16-bit internal timer with DMA-based or interrupt-based operation
- Programmable duty cycle, frequency, and polarity
- Dead-zone generation
- Supports external clock sources

2.1.8 RTC (Real Time Clock)

- Full clock feature: msec, second, minute, hour, date, day, month, and year
- 32.768 KHz operation
- Alarm interrupt
- Time tick interrupt

2.1.9 General Purpose Input/Output Ports

- 16 external interrupt ports
- 138 Multiplexed input/output ports

2.1.10 DMA Controller

- 6-ch DMA controller

- Supports memory to memory, IO to memory, memory to IO, and IO to IO transfers
- Burst transfer mode to enhance the transfer rate

2.1.11 LCD Controller

- Supports 1, 2, 4 or 8 bpp (bit-per-pixel) palette color displays for color
- Supports 16, 24 bpp non-palette true-color displays for color
- Supports maximum 16M color at 24 bpp mode
- Supports multiple screen size
 - Typical actual screen size: 640x480, 320x240, 160x160, and others.
 - Maximum frame buffer size is 4Mbytes.
 - Maximum virtual screen size in 64K color mode: 2048x2048, and others
- Support 2 overlay windows for LCD

2.1.12 UART

- 4-channel UART with DMA-based or interrupt-based operation
- Supports 5-bit, 6-bit, 7-bit, or 8-bit serial data transmit/receive (Tx/Rx)
- Supports external clocks for the UART operation (EXTUARTCLK)
- Programmable baud rate upto 3Mbps
- Supports IrDA 1.0
- Loopback mode for testing
- Each channel has internal 64-byte Tx FIFO and 64-byte Rx FIFO.

2 FEATURES (Continued)

2.1.13 A/D Converter & Touch Screen Interface

- 10-ch multiplexed ADC
- Max. 500KSPS and 12-bit Resolution
- Internal FET for direct Touch screen interface

2.1.14 Watchdog Timer

- 16-bit Watchdog Timer
- Interrupt request or system reset at time-out

2.1.15 IIC-Bus Interface

- 1-ch Multi-Master IIC-Bus
- Serial, 8-bit oriented and bi-directional data transfers can be made at up to 100 Kbit/s in Standard mode or up to 400 Kbit/s in Fast mode.

2.1.16 2D

- Line/Point Drawing
- BitBLT, Color Expansion.
- Maximum 2040*2040 image size
- Window clipping
- 90°/180°/270°/X-flip/Y-flip Rotation
- Totally 256 3-operand Raster Operation (ROP)
- Alpha Blending
- 16/24/32-bpp color format support

2.1.17 IIS Multi Audio Interface

- 1 ports audio interface with DMA-based operation.
- Up to 5.1ch, three 32bit 16depth Tx FIFOs, One 32bit 16depth Rx FIFO
- Serial, 8-/16-/24- bit per channel data transfers
- Supports IIS format and MSB-justified data format

2.1.18 AC97 Audio Interface

- 1port AC97 for audio interface with DMA-based operation
- 16-bit Stereo Audio

2.1.19 PCM Audio Interface

- Mono, 16bit PCM, 1 ports audio interface.
- Master mode only, this block always sources the main shift clock
- Input (16bit 32depth) and output(16bit 32depth)

FIFOs to buffer data

2.1.20 USB Host

- 2-port USB Host
- Complies with OHCI Rev. 1.0
- Compatible with USB Specification version 1.1

2.1.21 USB Device

- 1-port USB Device
- 9 Endpoints for USB Device
- Compatible with USB Specification version 2.0

2.1.22 SD/MMC Host Interface

- SD Standard Host Spec(ver2.0) compatible
- Dedicated DMA access support
- Compatible with SD Memory Card Protocol version 2.1
- Compatible with SDIO Card Protocol version 1.0
- Compatible with HS-MMC Protocol version 4.2
- 512 Bytes FIFO for Tx/Rx
- CE-ATA mode support

2.1.23 SPI Interface

- Compatible with 1-ch Serial Peripheral Interface Protocol version 2.11 (1ch. High speed SPI interface)
- 2x8 bits Shift register for Tx/Rx
- DMA-based or interrupt-based operation

2.1.24 Operating Voltage Range

- Core: 1.3V for 400MHz
1.3V for 266MHz
- ROM/SRAM: 1.8V/ 2.5V/ 3.0V/ 3.3V
- SDRAM: 1.8V/ 2.5V
- I/O: 1.8V/2.5V/3.3V(refer to electrical data)

2.1.25 Operating Frequency

- FCLK Up to 400MHz
- HCLK Up to 133MHz
- PCLK Up to 67MHz

2.1.26 Package

- 330 FBGA 14x14

3 BLOCK DIAGRAM

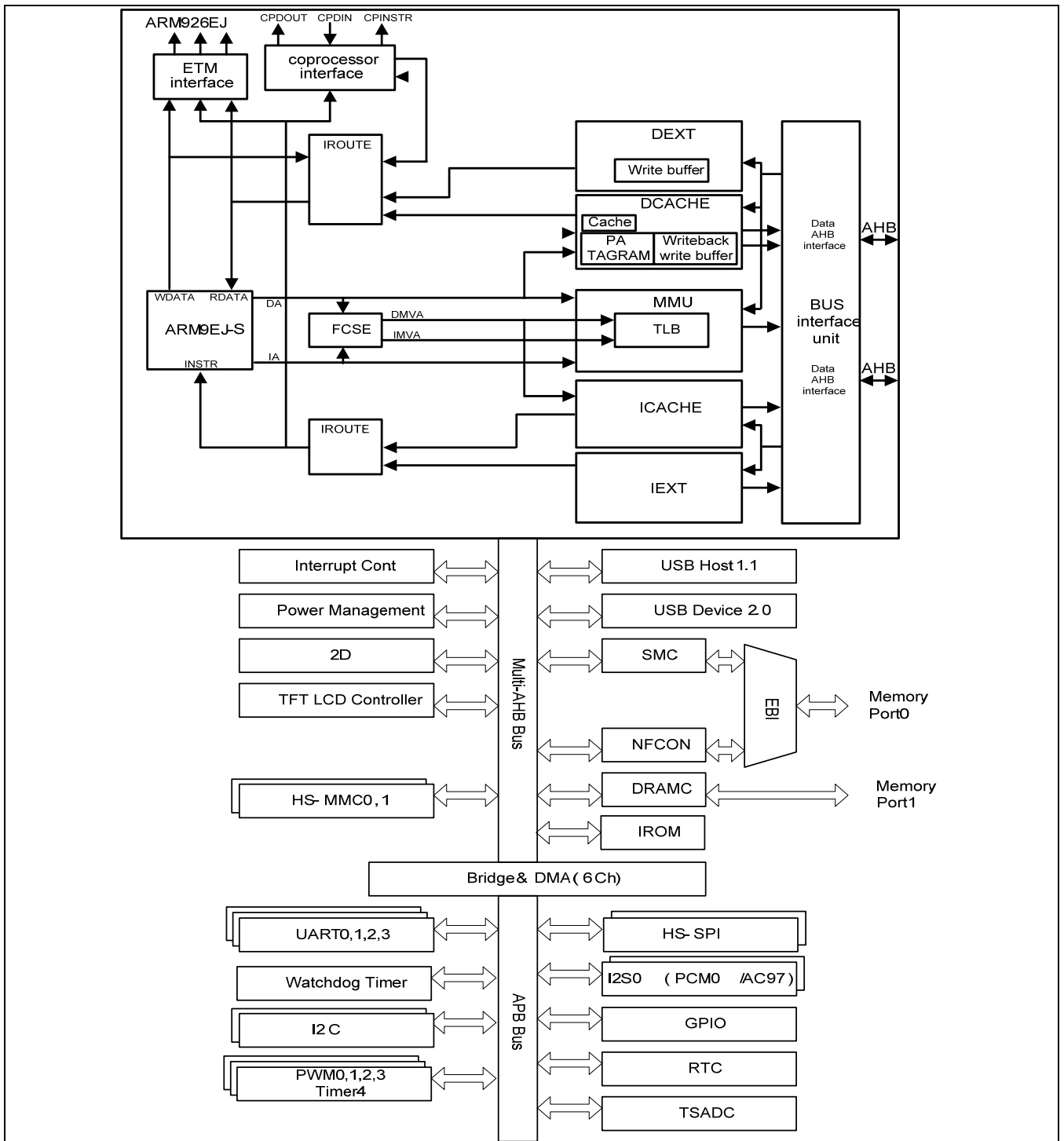


Figure 1-1. S3C2416X Block Diagram

4 PIN ASSIGNMENTS

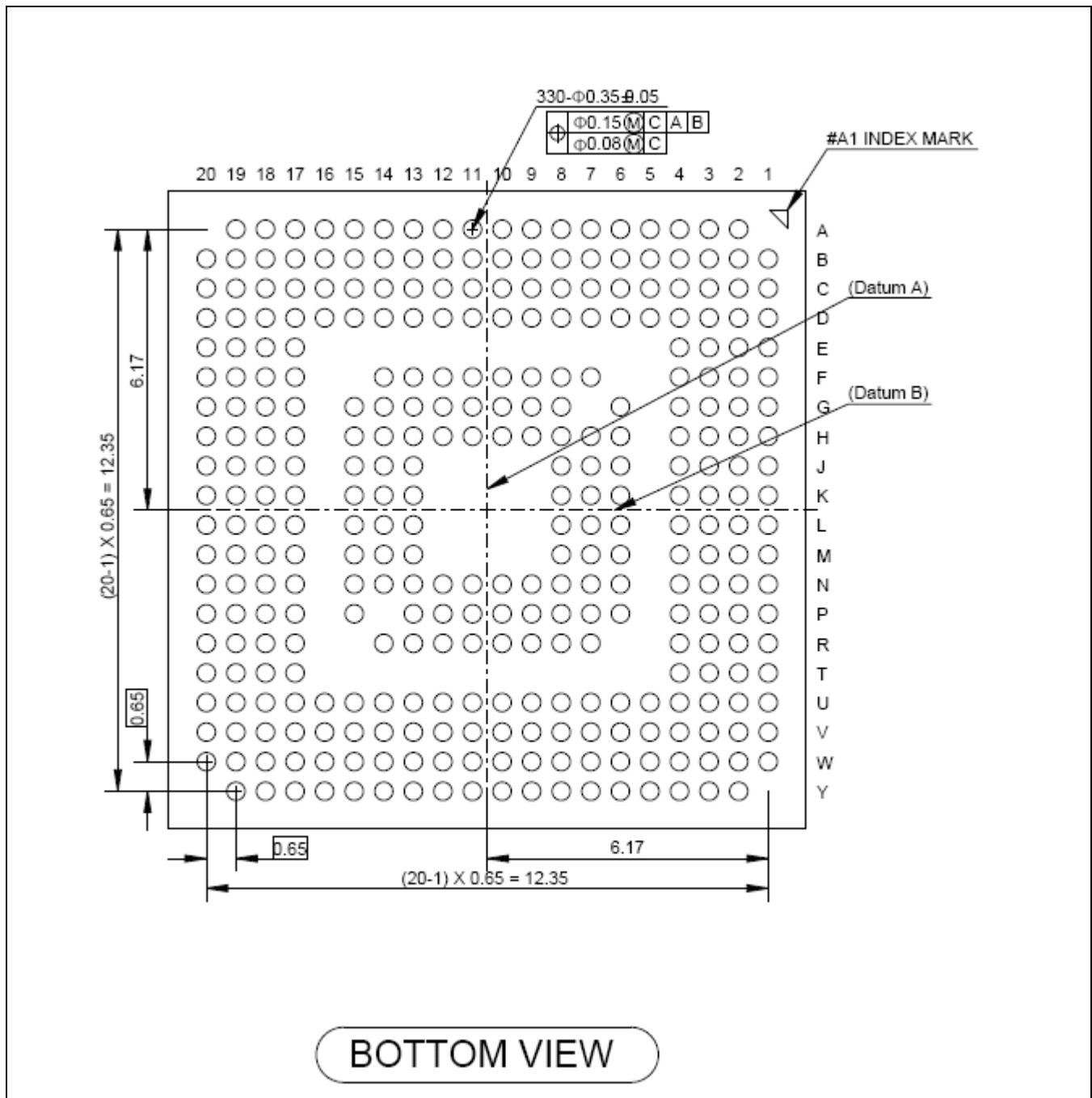


Figure 1-2. S3C2416X Pin Assignments (330-FBGA, 0.65mm pitch) Bottom view

Table 1-1. 330-Pin FBGA Pin Assignments – Pin Number Order (1/3)

Pin	Pin Name	Ball	Pin	Pin Name	Ball	Pin	Pin Name	Ball
1	RSMCLK/GPA23	B1	38	VDDiarm	W8	75	VSS_LCD	T2
2	RSMVAD/GPA24	E4	39	VSSiarm	P3	76	RGB_VD[20]/GPD12	V3
3	RSMBWAIT/GPM0	C2	40	LEND/GPC0	J1	77	RGB_VD[21]/GPD13	U2
4	nRCS[3]/GPA14	F4	41	VDDiarm	W9	78	RGB_VD[22]/GPD14	U3
5	nRCS[4]/GPA15	C1	42	VSSiarm	P4	79	RGB_VD[23]/GPD15	V1
6	nRCS[5]/GPA16	G6	43	RGB_VCLK/GPC1	L4	80	TOUT[0]/GPB0	T4
7	nWAIT	D3	44	RGB_HSYNC/GPC2	K1	81	TOUT[1]/GPB1	V2
8	FCLE/GPA17	G4	45	RGB_VDEN/GPC4	M4	82	TOUT[2]/GPB2	U4
9	FALE/GPA18	D2	46	RGB_VSYNC/GPC3	L2	83	TOUT[3]/GPB3	W1
10	nFWE/GPA19	H6	47	GPC5	M6	84	TCLK/GPB4	Y3
11	nFRE/GPA20	D1	48	GPC6	L1	85	nXBACK/GPB5	U6
12	nFCE/GPA22	H4	49	GPC7	N4	86	nXBREQ/RTCK/GPB6	V4
13	FRnB/GPM1	E3	50	RGB_VD[0]/GPC8	M3	87	nXDACK/I2SSDO_1/GPB9	W4
14	VDDi	L8	51	RGB_VD[1]/GPC9	N7	88	VDDiarm	K2
15	VSSi	N10	52	RGB_VD[2]/GPC10	M2	89	VSSiarm	U7
16	VDD_SRAM	C5	53	RGB_VD[3]/GPC11	N8	90	nXDREQ/I2SSDO_2/GPB10	U5
17	VSS_SRAM	E2	54	RGB_VD[4]/GPC12	M1	91	UARTCLK/GPH12	Y4
18	RDATA[15]	H7	55	RGB_VD[5]/GPC13	N6	92	nCTS[0]/GPH8	R7
19	RDATA[14]	E1	56	RGB_VD[6]/GPC14	N1	93	nRTS[0]/GPH9	W5
20	RDATA[13]	J4	57	RGB_VD[7]/GPC15	P6	94	TXD[0]/GPH0	P8
21	RDATA[12]	F2	58	RGB_VD[8]/GPD0	N2	95	RXD[0]/GPH1	V6
22	RDATA[11]	J6	59	RGB_VD[9]/GPD1	P7	96	nCTS[1]/GPH10	R8
23	RDATA[10]	F1	60	VDDiarm	R3	97	nRTS[1]/GPH11	Y5
24	RDATA[9]	K4	61	VSSiarm	K3	98	TXD[1]/GPH2	V7
25	RDATA[8]	G3	62	RGB_VD[10]/GPD2	R4	99	RXD[1]/GPH3	W6
26	RDATA[7]	K8	63	RGB_VD[11]/GPD3	P1	100	VDD_OP2	Y6
27	RDATA[6]	G2	64	RGB_VD[12]/GPD4	T3	101	VSS_OP2	W7
28	RDATA[5]	K7	65	RGB_VD[13]/GPD5	P2	102	VDDiarm	V5
29	RDATA[4]	G1	66	RGB_VD[14]/GPD6	W2	103	VSSiarm	U8
30	RDATA[3]	L7	67	RGB_VD[15]/GPD7	R1	104	CLKOUT[0]/GPH13	V8
31	RDATA[2]	H3	68	RGB_VD[16]/GPD8	Y2	105	CLKOUT[1]/GPH14	Y7
32	RDATA[1]	K6	69	RGB_VD[17]/GPD9	R2	106	VDDiarm	N3
33	RDATA[0]	H2	70	RGB_VD[18]/GPD10	W3	107	VSSiarm	U9
34	VDDi	P10	71	RGB_VD[19]/GPD11	T1	108	IICSCS/GPE14	V9
35	VSSi	J7	72	VDDiarm	J2	109	IICSDA/GPE15	Y8
36	VDDi	J8	73	VSSiarm	L3	110	I2SLRCK/GPE0/AC_nRESE T/PCM_FSYNC	R9
37	VSSi	H11	74	VDD_LCD	U1	111	I2SSCLK/GPE1/AC_SYNC/P CM_SCLK	Y9

Table 1-1. 330-Pin FBGA Pin Assignments – Pin Number Order (2/3)

Pin	Pin Name	Ball	Pin	Pin Name	Ball	Pin	Pin Name	Ball
112	I2SCDCLK/GPE2/AC_BI T_CLK/PCM_CDCLK	P9	154	AIN[0]	Y19	196	EINT[11]/GPG3	N20
113	I2SSDI/GPE3/AC_SDI/P CM_SDI	Y10	155	Vref	U15	197	VDD_OP3	M18
114	I2SSDO/GPE4/AC_SDO /PCM_SDO	N9	156	VDDA_ADC	R14	198	VSS_OP3	M19
115	SPIMISO/GPE11	W10	157	VDD_RTC	W19	199	EINT[12]/GPG4	K14
116	SPIMOSI/GPE12	R10	158	Xtirtc	W20	200	EINT[13]/GPG5	M20
117	SPICLK/GPE13	V10	159	Xtortc	T17	201	EINT[14]/GPG6	K13
118	TXD[2]/GPH4	R11	160	OM[4]	V18	202	EINT[15]/GPG7	L18
119	RXD[2]/GPH5	Y11	161	OM[3]	U16	203	VDD_USBOSC	L19
120	TXD[3]/GPH6/nRTS2	U10	162	OM[2]	V19	204	VSS33C	L20
121	RXD[3]/GPH7/nCTS2	W11	163	OM[1]	U17	205	XO_UDEV	K18
122	SS/GPL13	V11	164	OM[0]	R17	206	XI_UDEV	K19
123	SD1_CLK/GPL9	U11	165	VDDi	M7	207	VSSIP_UDEV	K20
124	SD1_CMD/GPL8	Y12	166	VSSi	N13	208	VDDI_UDEV	J19
125	VDD_SD	W12	167	EXTCLK	P15	209	VSS33T	H18
126	VSS_SD	Y13	168	XTIpll	V20	210	DM_UDEV	J20
127	VDDi	J13	169	XTOpll	U18	211	REXT	H20
128	VSSi	L6	170	EINT[0]/GPF0	N15	212	DP_UDEV	H19
129	SD1_DAT[0]/GPL0	V12	171	EINT[1]/GPF1	T18	213	VSS33T	J17
130	SD1_DAT[1]/GPL1	W13	172	EINT[2]/GPF2	P17	214	VDD33	G18
131	SD1_DAT[2]/GPL2	U12	173	EINT[3]/GPF3	R18	215	VDD33	G19
132	SD1_DAT[3]/GPL3	Y14	174	EINT[4]/GPF4	N17	216	SDATA[31]/GPK15	J18
133	SD0_CLK/GPE5	V13	175	EINT[5]/GPF5	U19	217	SDATA[30]/GPK14	G20
134	SD0_CMD/GPE6	W14	176	EINT[6]/GPF6	M17	218	SDATA[29]/GPK13	J15
135	SD0_DAT[0]/GPE7	U13	177	EINT[7]/GPF7	U20	219	SDATA[28]/GPK12	F20
136	SD0_DAT[1]/GPE8	Y15	178	PWR_EN	M15	220	SDATA[27]/GPK11	J14
137	SD0_DAT[2]/GPE9	R12	179	nBATT_FLT	P18	221	SDATA[26]/GPK10	F19
138	SD0_DAT[3]/GPE10	W15	180	nRESET	M14	222	VDDi	G11
139	VSS_MPLL	V15	181	VDD_OP1	T19	223	VSSi	H13
140	VDD_MPLL	Y16	182	VSS_OP1	T20	224	SDATA[25]/GPK9	H17
141	VSS_UPLL	W16	183	VDDalive	R19	225	SDATA[24]/GPK8	F18
142	UPLLCAP	V16	184	VSSalive	R20	226	SDATA[23]/GPK7	H15
143	VDD_UPLL	Y17	185	TDO	M13	227	SDATA[22]/GPK6	E20
144	VSSA_ADC	P11	186	TMS	P19	228	SDATA[21]/GPK5	G17
145	AIN[9]	R13	187	TDI	L17	229	SDATA[20]/GPK4	E19
146	AIN[8]	W17	188	TCK	P20	230	SDATA[19]/GPK3	G15
147	AIN[7]	V14	189	nTRST	L15	231	SDATA[18]/GPK2	E18
148	AIN[6]	V17	190	DP	L14	232	SDATA[17]/GPK1	F17
149	AIN[5]	P12	191	DN	L13	233	SDATA[16]/GPK0	D20
150	AIN[4]	Y18	192	nRSTOUT	N18	234	VDD_SDRAM	C16
151	AIN[3]	N11	193	EINT[8]/GPG0	K17	235	VSS_SDRAM	C15
152	AIN[2]	W18	194	EINT[9]/GPG1	N19	236	SDATA[15]	E17
153	AIN[1]	U14	195	EINT[10]/GPG2	K15	237	SDATA[14]	C18

Table 1-1. 330-Pin FBGA Pin Assignments – Pin Number Order (3/3)

Pin	Pin Name	Ball	Pin	Pin Name	Ball	Pin	Pin Name	Ball
238	SDATA[13]	C19	281	SADDR[9]	A10	324	nRCS[0]	D5
239	SDATA[12]	B19	282	SADDR[10]	F11	325	nRCS[1]/GPA12	B2
240	SDATA[11]	C20	283	SADDR[11]	B10	326	nRCS[2]/GPA13	D4
241	SDATA[10]	A19	284	SADDR[12]	C10	327	VDD_SDRAM	H14
242	SDATA[9]	B20	285	SADDR[13]	A9	328	VDD_SDRAM	N12
243	SDATA[8]	B18	286	SADDR[14]	D10	329	VDD_SDRAM	P13
244	SDATA[7]	D17	287	SADDR[15]	B9	330	VDD_SRAM	H1
245	SDATA[6]	A18	288	FSOURCE	A8			
246	SDATA[5]	D16	289	VGATE	B8			
247	SDATA[4]	C17	290	VDDi	G13			
248	SDATA[3]	G14	291	VSSi	J3			
249	SDATA[2]	B17	292	RADDR[25]/RDATA_OEN/GPA10	F10			
250	SDATA[1]	D15	293	RADDR[24]/GPA9	C8			
251	SDATA[0]	A17	294	RADDR[23]/GPA8	G10			
252	VDD_SDRAM	D19	295	RADDR[22]/GPA7	A7			
253	VSS_SDRAM	D18	296	RADDR[21]/GPA6	H10			
254	DQS[1]	F14	297	RADDR[20]/GPA5	B7			
255	DQS[0]	C14	298	RADDR[19]/GPA4	C9			
256	DQM[3]/GPA26	D14	299	RADDR[18]/GPA3	C7			
257	DQM[2]/GPA25	B16	300	RADDR[17]/GPA2	D9			
258	DQM[1]	C13	301	RADDR[16]/GPA1	A6			
259	DQM[0]	A16	302	RADDR[15]	F9			
260	nSCS[0]	F13	303	RADDR[14]	B6			
261	nSCS[1]	B15	304	RADDR[13]	G9			
262	nSWE	D13	305	RADDR[12]	C6			
263	SCLK	A15	306	RADDR[11]	H9			
264	VDDi	N14	307	RADDR[10]	A5			
265	VSSi	M8	308	VDD_SRAM	F3			
266	nSCLK	F12	309	VSS_SRAM	B5			
267	SCKE	B14	310	RADDR[9]	D8			
268	nSRAS	G12	311	RADDR[8]	A4			
269	nSCAS	A14	312	RADDR[7]	F8			
270	SADDR[0]	C12	313	RADDR[6]	B4			
271	SADDR[1]	B13	314	RADDR[5]	G8			
272	SADDR[2]	D12	315	RADDR[4]	C4			
273	SADDR[3]	A13	316	RADDR[3]	H8			
274	SADDR[4]	H12	317	RADDR[2]	A3			
275	SADDR[5]	B12	318	RADDR[1]	D7			
276	VDD_SDRAM	A12	319	RADDR[0]/GPA0	B3			
277	VSS_SDRAM	B11	320	nRBE1	F7			
278	SADDR[6]	C11	321	nRBE0	C3			
279	SADDR[7]	A11	322	nROE	D6			
280	SADDR[8]	D11	323	nRWE	A2			

Table 1-2. S3C2416X 330-Pin FBGA Pin Assignments

Pin Number	Pin Name	Default Function	I/O State @Sleep	I/O State @nRESET	I/O Type
1	RSMCLK/GPA23	RSMCLK	-/-	O(L)	pvhbsudtbrt
2	RSMVAD/GPA24	RSMVAD	-/-	O(H)	pvhbsudtbrt
3	RSMBWAIT/GPM0	RSMBWAIT	-/-	I	pvhbsudtbrt
4	nRCS3/GPA14	nRCS3	-	O(H)	pvhbsudtbrt
5	nRCS4/GPA15	nRCS4	-	O(H)	pvhbsudtbrt
6	nRCS5/GPA16	nRCS5	-/-	O(H)	pvhbsudtbrt
7	nWAIT	nWAIT	-	I	pvhbsudtbrtpvisud crt_hvt
8	FCLE/GPA17	FCLE	-	O(L)	pvhbsudtbrt
9	FALE/GPA18	FALE	-	O(L)	pvhbsudtbrt
10	nFWE/GPA19	nFWE	-	O(H)	pvhbsudtbrt
11	nFRE/GPA20	nFRE	-	O(H)	pvhbsudtbrt
12	nFCE/GPA22	nFCE	-	O(H)	pvhbsudtbrt
13	FRnB/GPM1	FRnB	-	I	pvhbsudtbrt
14	VDDi	VDDi	-	P	vddivh_alv
15	VSSi	VSSi	-	P	vssipvh_alv
16	VDD_SRAM	VDD_SRAM	-	P	vddtvh_alv
17	VSS_SRAM	VSS_SRAM	-	P	vsstvh_alv
18	RDATA15	RDATA15	-	Hi-z	pvhbsudtbrt
19	RDATA14	RDATA14	-	Hi-z	pvhbsudtbrt
20	RDATA13	RDATA13	-	Hi-z	pvhbsudtbrt
21	RDATA12	RDATA12	-	Hi-z	pvhbsudtbrt
22	RDATA11	RDATA11	-	Hi-z	pvhbsudtbrt
23	RDATA10	RDATA10	-	Hi-z	pvhbsudtbrt
24	RDATA9	RDATA9	-	Hi-z	pvhbsudtbrt
25	RDATA8	RDATA8	-	Hi-z	pvhbsudtbrt
26	RDATA7	RDATA7	-	Hi-z	pvhbsudtbrt
27	RDATA6	RDATA6	-	Hi-z	pvhbsudtbrt
28	RDATA5	RDATA5	-	Hi-z	pvhbsudtbrt
29	RDATA4	RDATA4	-	Hi-z	pvhbsudtbrt
30	RDATA3	RDATA3	-	Hi-z	pvhbsudtbrt
31	RDATA2	RDATA2	-	Hi-z	pvhbsudtbrt
32	RDATA1	RDATA1	-	Hi-z	pvhbsudtbrt
33	RDATA0	RDATA0	-	Hi-z	pvhbsudtbrt

Pin Number	Pin Name	Default Function	I/O State @Sleep	I/O State @nRESET	I/O Type
34	VDDi	VDDi	-	P	vddivh_alv
35	VSSi	VSSi	-	P	vssipvh_alv
36	VDDi	VDDi	-	P	vddivh_alv
37	VSSi	VSSi	-	P	vssipvh_alv
38	VDDiarm	VDDiarm	-	P	vddicvlh_alv
39	VSSiarm	VSSiarm	-	P	vssicvlh_alv
40	RGB_LEND/GPC0	GPC0	-/-	I	pvhbsudtart
41	VDDiarm	VDDiarm	-	P	vddicvlh_alv
42	VSSiarm	VSSiarm	-	P	vssicvlh_alv
43	RGB_VCLK/GPC1	GPC1	-/-	I	pvhbsudtart
44	RGB_VLINE/GPC2	GPC2	-/-	I	pvhbsudtart
45	RGB_VDEN/GPC4	GPC4	-/-	I	pvhbsudtart
46	RGB_VSYNC/GPC3	GPC3	-/-	I	pvhbsudtart
47	GPC5	GPC5	-/-	I	pvhbsudtart
48	GPC6	GPC6	-/-	I	pvhbsudtart
49	GPC7	GPC7	-/-	I	pvhbsudtart
50	RGB_VD0/GPC8	GPC8	-/-	I	pvhbsudtart
51	RGB_VD1/GPC9	GPC9	-/-	I	pvhbsudtart
52	RGB_VD2/GPC10	GPC10	-/-	I	pvhbsudtart
53	RGB_VD3/GPC11	GPC11	-/-	I	pvhbsudtart
54	RGB_VD4/GPC12	GPC12	-/-	I	pvhbsudtart
55	RGB_VD5/GPC13	GPC13	-/-	I	pvhbsudtart
56	RGB_VD6/GPC14	GPC14	-/-	I	pvhbsudtart
57	RGB_VD7/GPC15	GPC15	-/-	I	pvhbsudtart
58	RGB_VD8/GPD0	GPD0	-/-	I	pvhbsudtart
59	RGB_VD9/GPD1	GPD1	-/-	I	pvhbsudtart
60	VDDiarm	VDDiarm	-	P	vddicvlh_alv
61	VSSiarm	VSSiarm	-	P	vssicvlh_alv
62	RGB_VD10/GPD2	GPD2	-/-	I	pvhbsudtart
63	RGB_VD11/GPD3	GPD3	-/-	I	pvhbsudtart
64	RGB_VD12/GPD4	GPD4	-/-	I	pvhbsudtart
65	RGB_VD13/GPD5	GPD5	-/-	I	pvhbsudtart
66	RGB_VD14/GPD6	GPD6	-/-	I	pvhbsudtart
67	RGB_VD15/GPD7	GPD7	-/-	I	pvhbsudtart
68	RGB_VD16/GPD8	GPD8	-/-	I	pvhbsudtart
69	RGB_VD17/GPD9	GPD9	-/-	I	pvhbsudtart

Pin Number	Pin Name	Default Function	I/O State @Sleep	I/O State @nRESET	I/O Type
70	RGB_VD18/GPD10	GPD10	-/-	I	pvhbsudtart
71	RGB_VD19/GPD11	GPD11	-/-	I	pvhbsudtart
72	VDDiarm	VDDiarm	-	P	vddicvlh_alv
73	VSSiarm	VSSiarm	-	P	vssicvlh_alv
74	VDD_LCD	VDD_LCD	-	P	vddtvh_alv
75	VSS_LCD	VSS_LCD	-	P	vsstvh_alv
76	RGB_VD20/GPD12	GPD12	-/-	I	pvhbsudtart
77	RGB_VD21/GPD13	GPD13	-/-	I	pvhbsudtart
78	RGB_VD22/GPD14	GPD14	-/-	I	pvhbsudtart
79	RGB_VD23/GPD15	GPD15	-/-	I	pvhbsudtart
80	TOUT0/GPB0	GPB0	-/-	I	pvhbsudtart
81	TOUT1/GPB1	GPB1	-/-	I	pvhbsudtart
82	TOUT2/GPB2	GPB2	-/-	I	pvhbsudtart
83	TOUT3/GPB3	GPB3	-/-	I	pvhbsudtart
84	TCLK/GPB4	GPB4	-/-	I	pvhbsudtart
85	nXBACK/GPB5	GPB5	-/-	I	pvhbsudtart
86	nXBREQ/GPB6/RTCK	RTCK	-/-	I	pvhbsudtart
87	nXDACK/GPB9/I2SSDO_1	GPB9	-/-	I	pvhbsudtart
88					
89	VSSiarm	VSSiarm	-	P	vssicvlh_alv
90	nXDREQ/GPB10/I2SSDO_2	GPB10	-/-	I	pvhbsudtart
91	EXTUARTCLK/GPH12	GPH12	-/-	I	pvhbsudtart
92	nCTS0/GPH8	GPH8	-/-	I	pvhbsudtart
93	nRTS0/GPH9	GPH9	-/-	I	pvhbsudtart
94	TXD0/GPH0	GPH0	-/-	I	pvhbsudtart
95	RXD0/GPH1	GPH1	-/-	I	pvhbsudtart
96	nCTS1/GPH10	GPH10	-/-	I	pvhbsudtart
97	nRTS1/GPH11	GPH11	-/-	I	pvhbsudtart
98	TXD1/GPH2	GPH2	-/-	I	pvhbsudtart
99	RXD1/GPH3	GPH3	-/-	I	pvhbsudtart
100	VDD_OP2	VDD_OP2	-	P	vddtvh_alv
101	VSS_OP2	VSS_OP2	-	P	vsstvh_alv
102	VDDiarm	VDDiarm	-	P	vddicvlh_alv
103	VSSiarm	VSSiarm	-	P	vssicvlh_alv
104	CLKOUT0/GPH13	GPH13	-/-	I	pvhbsudtart
105	CLKOUT1/GPH14	GPH14	-/-	I	pvhbsudtart

Pin Number	Pin Name	Default Function	I/O State @Sleep	I/O State @nRESET	I/O Type
106	VDDiarm	VDDiarm	-	P	vddicvlh_alv
107	VSSiarm	VSSiarm	-	P	vssicvlh_alv
108	IIC_SCL/GPE14	GPE14	-/-	I	pvhbsudtart
109	IIC_SDA/GPE15	GPE15	-/-	I	pvhbsudtart
110	I2SLRCK/GPE0/ AC_nRESET/PCM_FSYNC	GPE0	-/-/-	I	pvhbsudtart
111	I2SSCLK/GPE1/AC_SYNC/PC M_SCLK	GPE1	-/-/-	I	pvhbsudtart
112	I2SCDCLK/GPE2/ AC_BIT_CLK0/PCM_CDCLK	GPE2	-/-/-	I	pvhbsudtart
113	I2SSDI/GPE3/AC_SDI0/PCM_S DI	GPE3	-/-/-	I	pvhbsudtart
114	I2SSDO_0/GPE4/AC_SDO0/P CM_SDO	GPE4	-/-/-	I	pvhbsudtart
115	SPIMISO/GPE11	GPE11	-/-	I	pvhbsudtart
116	SPIMOSI/GPE12	GPE12	-/-	I	pvhbsudtart
117	SPICLK/GPE13	GPE13	-/-	I	pvhbsudtart
118	TXD2/GPH4	GPH4	-/-	I	pvhbsudtart
119	RXD2/GPH5	GPH5	-/-	I	pvhbsudtart
120	TXD3/GPH6/nRTS2	GPH6	-/-/-	I	pvhbsudtart
121	RXD3/GPH7/nCTS2	GPH7	-/-/-	I	pvhbsudtart
122	SS/GPL13	GPL13	-/-	I	pvhbsudtart
123	SD1_CLK/GPL9	GPL9	-/-	I	pvhbsudtart
124	SD1_CMD/GPL8	GPL8	-/-	I	pvhbsudtart
125	VDD_SD	VDD_SD	-	P	vddtvh_alv
126	VSS_SD	VSS_SD	-	P	vsstvh_alv
127	VDDi	VDDi	-	P	vddivh_alv
128	VSSi	VSSi	-	P	vssipvh_alv
129	SD1_DAT[0]/GPL0	GPL0	-/-	I	pvhbsudtart
130	SD1_DAT[1]/GPL1	GPL1	-/-	I	pvhbsudtart
131	SD1_DAT[2]/GPL2	GPL2	-/-	I	pvhbsudtart
132	SD1_DAT[3]/GPL3	GPL3	-/-	I	pvhbsudtart
133	SD0_CLK/GPE5	GPE5	-/-/-	I	pvhbsudtart
134	SD0_CMD/GPE6	GPE6	-/-/-	I	pvhbsudtart
135	SD0_DAT[0]/GPE7	GPE7	-/-/-	I	pvhbsudtart
136	SD1_DAT[1]/GPE8	GPE8	-/-/-	I	pvhbsudtart
137	SD1_DAT[2]/GPE9	GPE9	-/-/-	I	pvhbsudtart
138	SD1_DAT[3]/GPE10	GPE10	-/-	I	pvhbsudtart

Pin Number	Pin Name	Default Function	I/O State @Sleep	I/O State @nRESET	I/O Type
139	VSSA_MPLL	VSSA_MPLL	-	P	vsstvlh_alv
140	VDDA_MPLL	VDDA_MPLL	-	P	vddtvlh_alv
141	VSSA_EPLL	VSSA_EPLL	-	P	vsstvlh_alv
142	UPLLCAP	UPLLCAP	-	AI	pvhbr
143	VDDA_EPLL	VDDA_EPLL	-	P	vddtvlh_alv
144	VSSA_ADC	VSSA_ADC	-	P	
145	AIN9(XP)	AIN9		AI	vsstvh_alv
146	AIN8(XM)	AIN8	-	AI	pvhbr
147	AIN7(YP)	AIN7	-	AI	pvhbr
148	AIN6(YM)	AIN6	-	AI	pvhbr
149	AIN5	AIN5	-	AI	pvhbr
150	AIN4	AIN4	-	AI	pvhbr
151	AIN3	AIN3	-	AI	pvhbr
152	AIN2	AIN2	-	AI	pvhbr
153	AIN1	AIN1	-	AI	pvhbr
154	AIN0	AIN0	-	AI	pvhbr
155	Vref	Vref	-	AI	pvhbr
156	VDDA_ADC	VDDA_ADC	-	P	vddtvh_alv
157	VDD_RTC	VDD_RTC	-	P	vddrtcvh_alv
158	Xtirtc	Xtirtc	-	AI	pvhsosca
159	Xtortc	Xtortc	-	AO	pvhsosca
160	OM[4]	OM[4]	-	I	pvhsudtart_alv
161	OM[3]	OM[3]	-	I	pvhsudtart_alv
162	OM[2]	OM[2]	-	I	pvhsudtart_alv
163	OM[1]	OM[1]	-	I	pvhsudtart_alv
164	OM[0]	OM[0]	-	I	pvhsudtart_alv
165	VDDi	VDDi	-	P	vddicvlh_alv
166	VSSi	VSSi	-	P	vssicvlh_alv
167	EXTCLK	EXTCLK	-	I	pvhsudtart
168	XTIpll	XTIpll	-	AI	pvhsoscbrt
169	XTOpll	XTOpll	-	AO	pvhsoscbrt
170	EINT0/GPF0	GPF0	-/-	I	pvhsudtart_alv
171	EINT1/GPF1	GPF1	-/-	I	pvhsudtart_alv
172	EINT2/GPF2	GPF2	-/-	I	pvhsudtart_alv
173	EINT3/GPF3	GPF3	-/-	I	pvhsudtart_alv
174	EINT4/GPF4	GPF4	-/-	I	pvhsudtart_alv

Pin Number	Pin Name	Default Function	I/O State @Sleep	I/O State @nRESET	I/O Type
175	EINT5/GPF5	GPF5	-/-	I	pvhsudtart_alv
176	EINT6/GPF6	GPF6	-/-	I	pvhsudtart_alv
177	EINT7/GPF7	GPF7	-/-	I	pvhsudtart_alv
178	PWR_EN	PWR_EN	O(L)	O(H)	pvhsudtart_alv
179	BATT_FLT	BATT_FLT	-	I	pvhsudtart
180	nRESET	nRESET	-	I	pvhsudtart
181	VDD_OP1	VDD_OP1	-	P	vddtvh_alv
182	VSS_OP1	VSS_OP1	-	P	vsstvh_alv
183	VDDalive	VDDalive	-	P	vddivh_alv
184	VSSalive	VSSalive	-	P	vssivh_alv
185	TDO	TDO	-	O	pvhsudtart
186	TMS	TMS	-	I	pvhsudtart
187	TDI	TDI	-	I	pvhsudtart
188	TCK	TCK	-	I	pvhsudtart
189	nTRST	nTRST	-	I	pvhsudtart
190	DP	DP	-	AI	usb6002x1_t
191	DN	DN	-	AI	usb6002x1_t
192	nRSTOUT	nRSTOUT	O(H)	O(L)	pvhsudtart
193	EINT8/GPG0	GPG0	-/-	I	pvhsudtart_alv
194	EINT9/GPG1	GPG1	-/-	I	pvhsudtart_alv
195	EINT10/GPG2	GPG2	-/-	I	pvhsudtart_alv
196	EINT11/GPG3	GPG3	-/-	I	pvhsudtart_alv
197	VDD_OP3	VDD_OP3	-	P	vddtvh_alv
198	VSS_OP3	VSS_OP3	-	P	vsstvh_alv
199	EINT12/GPG4	GPG4	-/-/-	I	pvhsudtart_alv
200	EINT13/GPG5	GPG5	-/-	I	pvhsudtart_alv
201	EINT14/GPG6	GPG6	-/-	I	pvhsudtart_alv
202	EINT15/GPG7	GPG7	-/-	I	pvhsudtart_alv
203	VDD_USBOSC	VDD_USBOSC	-	P	vddtvh_alv
204	VSS33C	VSSA33C	-	P	vsstvh_alv
205	XO_UDEV	XO_UDEV	-	I	pvhsoscbt
206	XI_UDEV	XI_UDEV	-	I	pvhsoscbt
207	VSSI_UDEV	VSSIP_UDEV	-	P	vssipvh_usb_alv
208	VDDI_UDEV	VDDI_UDEV	-	P	vddivh_usb_alv
209	VSS33T	VSSA33T	-	P	vsstvh_alv
210	DM_UDEV	DM_UDEV		Hi-z	pvhtbr

Pin Number	Pin Name	Default Function	I/O State @Sleep	I/O State @nRESET	I/O Type
211	REXT	REXT	-		pvhbr
212	DP_UDEV	DP_UDEV	-	Hi-z	pvhtbr
213	VSS33T2	VSSA33T2	-	P	vsstvh_alv
214	VDD33	VDDA33T1	-	P	vddtvh_alv
215	VDD33	VDDA33T1	-	P	vddtvh_alv
216	SDATA31/GPK15	SDATA31	-	Hi-z	pvmbstbrt
217	SDATA30/GPK14	SDATA30	-	Hi-z	pvmbstbrt
218	SDATA29/GPK13	SDATA29	-	Hi-z	pvmbstbrt
219	SDATA28/GPK12	SDATA28	-	Hi-z	pvmbstbrt
220	SDATA27/GPK11	SDATA27	-	Hi-z	pvmbstbrt
221	SDATA26/GPK10	SDATA26	-	Hi-z	pvmbstbrt
222	VDDi	VDDi	-	P	vddivh_alv
223	VSSi	VSSi	-	P	vssipvh_alv
224	SDATA25/GPK9	SDATA25	-	Hi-z	pvmbstbrt
225	SDATA24/GPK8	SDATA24	-	Hi-z	pvmbstbrt
226	SDATA23/GPK7	SDATA23	-	Hi-z	pvmbstbrt
227	SDATA22/GPK6	SDATA22	-	Hi-z	pvmbstbrt
228	SDATA21/GPK5	SDATA21	-	Hi-z	pvmbstbrt
229	SDATA20/GPK4	SDATA20	-	Hi-z	pvmbstbrt
230	SDATA19/GPK3	SDATA19	-	Hi-z	pvmbstbrt
231	SDATA18/GPK2	SDATA18	-	Hi-z	pvmbstbrt
232	SDATA17/GPK1	SDATA17	-	Hi-z	pvmbstbrt
233	SDATA16/GPK0	SDATA16	-	Hi-z	pvmbstbrt
234	VDD_SDRAM	VDD_SDRAM	-	Hi-z	vddtvm_alv
235	VSS_SDRAM	VSS_SDRAM	-	Hi-z	vsstvm_alv
236	SDATA15	SDATA15	-	Hi-z	pvmbstbrt
237	SDATA14	SDATA14	-	Hi-z	pvmbstbrt
238	SDATA13	SDATA13	-	Hi-z	pvmbstbrt
239	SDATA12	SDATA12	-	Hi-z	pvmbstbrt
240	SDATA11	SDATA11	-	Hi-z	pvmbstbrt
241	SDATA10	SDATA10	-	Hi-z	pvmbstbrt
242	SDATA9	SDATA9	-	Hi-z	pvmbstbrt
243	SDATA8	SDATA8	-	Hi-z	pvmbstbrt
244	SDATA7	SDATA7	-	Hi-z	pvmbstbrt
245	SDATA6	SDATA6	-	Hi-z	pvmbstbrt
246	SDATA5	SDATA5	-	Hi-z	pvmbstbrt

Pin Number	Pin Name	Default Function	I/O State @Sleep	I/O State @nRESET	I/O Type
247	SDATA4	SDATA4	-	Hi-z	pvmbstbtrt
248	SDATA3	SDATA3	-	Hi-z	pvmbstbtrt
249	SDATA2	SDATA2	-	Hi-z	pvmbstbtrt
250	SDATA1	SDATA1	-	Hi-z	pvmbstbtrt
251	SDATA0	SDATA0	-	Hi-z	pvmbstbtrt
252	VDD_SDRAM	VDD_SDRAM	-	Hi-z	vddtvm_alv
253	VSS_SDRAM	VSS_SDRAM	-	Hi-z	vsstvm_alv
254	DQS1	DQS1	O(L)	Hi-z	pvmbstbtrt
255	DQS0	DQS0	O(L)	Hi-z	pvmbstbtrt
256	DQM3/GPA26	DQM3	O(H)-	O(L)	pvmbstbtrt
257	DQM2/GPA25	DQM2	O(H)	O(L)	pvmbstbtrt
258	DQM1	DQM1	O(H)	O(L)	pvmbstbtrt
259	DQM0	DQM0	O(H)	O(L)	pvmbstbtrt
260	nSCS[0]	nSCS[0]	O(H)	O(H)	pvmbstbtrt
261	nSCS[1]	nSCS[1]	O(H)	O(H)	pvmbstbtrt
262	nSWE	nSWE	O(H)	O(H)	pvmbstbtrt
263	SCLK	SCLK	O(L)	O(SCLK)	pvmbstbtrt
264	VDDi	VDDi	-	P	vddivh_alv
265	VSSi	VSSi	-	P	vssipvh_alv
266	nSCLK	nSCLK	O(H)	O(nSCLK)	pvmbstbtrt
267	SCKE	SCKE	O(L)	O(L)	pvmbstbtrt
268	nSRAS	nSRAS	O(H)	O(H)	pvmbstbtrt
269	nSCAS	nSCAS	O(H)	O(H)	pvmbstbtrt
270	SADDR0	SADDR0	-	O(L)	pvmbstbtrt
271	SADDR1	SADDR1	-	O(L)	pvmbstbtrt
272	SADDR2	SADDR2	-	O(L)	pvmbstbtrt
273	SADDR3	SADDR3	-	O(L)	pvmbstbtrt
274	SADDR4	SADDR4	-	O(L)	pvmbstbtrt
275	SADDR5	SADDR5	-	O(L)	pvmbstbtrt
276	VDD_SDRAM	VDD_SDRAM	-	P	vddtvm_alv
277	VSS_SDRAM	VSS_SDRAM	-	P	vsstvm_alv
278	SADDR6	SADDR6	-	O(L)	pvmbstbtrt
279	SADDR7	SADDR7	-	O(L)	pvmbstbtrt
280	SADDR8	SADDR8	-	O(L)	pvmbstbtrt
281	SADDR9	SADDR9	-	O(L)	pvmbstbtrt
282	SADDR10	SADDR10	-	O(L)	pvmbstbtrt

Pin Number	Pin Name	Default Function	I/O State @Sleep	I/O State @nRESET	I/O Type
283	SADDR11	SADDR11	-	O(L)	pvmbstbrt
284	SADDR12	SADDR12	-	O(L)	pvmbstbrt
285	SADDR13	SADDR13	-	O(L)	pvmbstbrt
286	SADDR14	SADDR14	-	O(L)	pvmbstbrt
287	SADDR15	SADDR15	-	O(L)	pvmbstbrt
288	FSOURCE	FSOURCE	-	P	pvhtbr_efuse00
289	VGATE	VGATE	-	P	pvhtbr_efuse00
290	VDDi	VDDi	-	P	vddivh_alv
291	VSSi	VSSi	-	P	vssipvh_alv
292	RADDR25/RDATA_OEN/GPA10	RADDR25	-/-	O(L)	pvhbsudtbrt
293	RADDR24/GPA9	RADDR24	-/-	O(L)	pvhbsudtbrt
294	RADDR23/GPA8	RADDR23	-/-	O(L)	pvhbsudtbrt
295	RADDR22/GPA7	RADDR22	-/-	O(L)	pvhbsudtbrt
296	RADDR21/GPA6	RADDR21	-/-	O(L)	pvhbsudtbrt
297	RADDR20/GPA5	RADDR20	-/-	O(L)	pvhbsudtbrt
298	RADDR19/GPA4	RADDR19	-/-	O(L)	pvhbsudtbrt
299	RADDR18/GPA3	RADDR18	-/-	O(L)	pvhbsudtbrt
300	RADDR17/GPA2	RADDR17	-/-	O(L)	pvhbsudtbrt
301	RADDR16/GPA1	RADDR16	-/-	O(L)	pvhbsudtbrt
302	RADDR15	RADDR15	-/-	O(L)	pvhbsudtbrt
303	RADDR14	RADDR14	-	O(L)	pvhbsudtbrt
304	RADDR13	RADDR13	-	O(L)	pvhbsudtbrt
305	RADDR12	RADDR12	-	O(L)	pvhbsudtbrt
306	RADDR11	RADDR11	-	O(L)	pvhbsudtbrt
307	RADDR10	RADDR10	-	O(L)	pvhbsudtbrt
308	VDD_SRAM	VDD_SRAM	-	P	vddtvh_alv
309	VSS_SRAM	VSS_SRAM	-	P	vsstvh_alv
310	RADDR9	RADDR9	-	O(L)	pvhbsudtbrt
311	RADDR8	RADDR8	-	O(L)	pvhbsudtbrt
312	RADDR7	RADDR7	-	O(L)	pvhbsudtbrt
313	RADDR6	RADDR6	-	O(L)	pvhbsudtbrt
314	RADDR5	RADDR5	-	O(L)	pvhbsudtbrt
315	RADDR4	RADDR4	-	O(L)	pvhbsudtbrt
316	RADDR3	RADDR3	-	O(L)	pvhbsudtbrt
317	RADDR2	RADDR2	-	O(L)	pvhbsudtbrt

Pin Number	Pin Name	Default Function	I/O State @Sleep	I/O State @nRESET	I/O Type
318	RADDR1	RADDR1	-	O(L)	pvhbsudtbrt
319	RADDR0/GPA0	RADDR0	-/-	O(L)	pvhbsudtbrt
320	nRBE1	nRBE1	-	O(H)	pvhbsudtbrt
321	nRBE0	nRBE0	-	O(H)	pvhbsudtbrt
322	nROE	nROE	-	O(H)	pvhbsudtbrt
323	nRWE	nRWE	-	O(H)	pvhbsudtbrt
324	nRCS0	nRCS0	-	O(H)	pvhbsudtbrt
325	nRCS1/GPA12	nRCS1	-	O(H)	pvhbsudtbrt
326	nRCS2/GPA13	nRCS2	-	O(H)	pvhbsudtbrt
327	VDD_SDRAM	VDD_SDRAM	-	P	Vddtvm_alv
328	VDD_SDRAM	VDD_SDRAM	-	P	Vddtvm_alv
329	VDD_SDRAM	VDD_SDRAM	-	P	vddtvm_alv
330	VDD_SRAM	VDD_SRAM	-	P	vddtvh_alv

NOTES:

1. The @BUS REQ. shows the pin state at the external bus, which is used by the other bus master.
2. ' - ' mark indicates the unchanged pin state at Bus Request mode.
3. Hi-z or Pre means Hi-z or early state and it is determined by the setting of MISCCR register.
4. AI/AO means analog input/analog output.
5. P, I, and O mean power, input and output respectively.
6. The I/O state @nRESET shows the pin status in the @nRESET duration below.

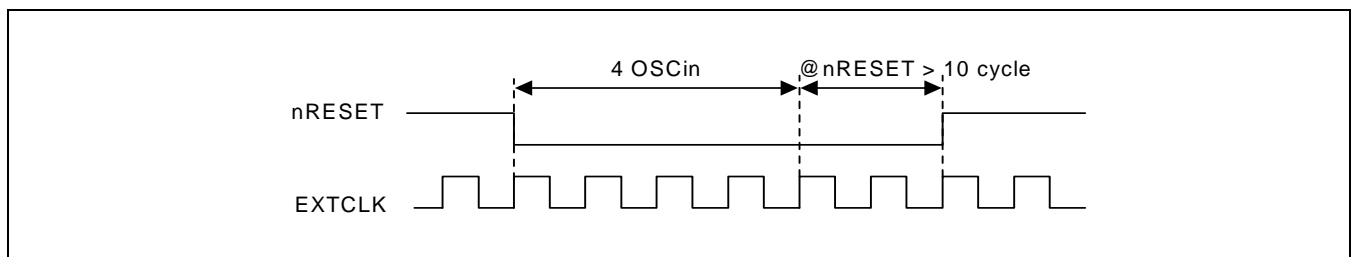


Table 1-3. I/O Cell Types and Descriptions

Cell Name	Ftn.	Interface Voltage	CMOS /Schmitt	Retention IO	Pull-up /Control	Pull-down /Control	Driver Strength
Pvhbdc	Bi	1.8/2.5/3.3V	analog	-	-	-	-
Pvhbr	Bi	1.8/2.5/3.3V	analog	-	-	-	-
pvhbsudtart	Bi	1.8/2.5/3.3V	Schmit	Y	Y	Y	2.6/5.2/7.8/10.5mA
pvhbsudtart_alv	Bi	1.8/2.5/3.3V	Schmit	N	Y	Y	2.6/5.2/7.8/10.5mA
pvhbsudtbrt	Bi	1.8/2.5/3.3V	Schmit	Y	Y	Y	3.3/6.6/9.9/13.2mA
pvhckdsrt	I	1.8/2.5/3.3V	Schmit	-	N	N	-
pvhsosca	OSC	1.8/2.5/3.3V	Schmit	-	N	N	X1(2.5/3.3),X2(1.8)
pvhsoscbrt	OSC	1.8/2.5/3.3V	schmit	Y	N	N	X1/X2/X3/X4
Pvhtbr	Bi	1.8/2.5/3.3V	analog	-	-	-	-
pvhtbr00_efuse	Bi	1.8/2.5/3.3V	analog	-	-	-	-
pvmbsudtbrt	Bi	1.8/2.5V	schmit	Y	Y	Y	4.9/9.8/14.8/19.7mA
usb6002x1_t	Bi	1.8/2.5/3.3V					
vddicvlh_alv	PWR	1.3V					
vddivh_alv	PWR	1.3V					
vddivh_usb_alv	PWR	1.2V					
vddrtcvh_alv	PWR	1.8/2.5/3.3V					
vddtvh_alv	PWR	1.8/2.5/3.3V					
vddtvlh_alv	PWR	1.3V					
vddtvm_alv	PWR	1.8V					
vssicvlh_alv	GND	0V					
vssipvh_alv	GND	0V					
vssipvh_usb_alv	GND	0V					
vsstvh_alv	GND	0V					
vsstvlh_alv	GND	0V					
vsstvm_alv	GND	0V					

4.1 SIGNAL DESCRIPTIONS

Table 1-4. S3C2416X Signal Descriptions

Signal	In/Out	Description
Reset, Clock & Power		
XTIpll	AI	Crystal input signals for internal osc circuit. When OM[0] = 0, XTIpll is used for MPLL CLK source and EPLL CLK source. If it isn't used, it has to be Low (0V)
XTOpll	AO	Crystal output signals for internal osc circuit. When OM[0] = 0, XTIpll is used for MPLL CLK source and EPLL CLK source. If it isn't used, it has to be float
NC	AI	Not connected.
EPLLCAP	AI	Loop filter capacitor for Extra PLL
XTIrtc	AI	32.768 kHz crystal input for RTC. If it isn't used, it has to be High (VDD_RTC=3.3V).
XTOrtc	AO	32.768 kHz crystal output for RTC. If it isn't used, it has to be float.
CLKOUT[1:0]	O	Clock output signal. The CLKSEL of MISCCR(GPIO register) register configures the clock output mode among the MPLL_CLK, EPLL CLK, ARMCLK, HCLK, PCLK.
nRESET	ST	nRESET suspends any operation in progress and places S3C2416X into a known reset state. For a reset, nRESET must be held to L level for at least 4 OSCin after the processor power has been stabilized.
nRSTOUT	O	For external device reset control (nRSTOUT = nRESET & nWDTRST & SW_RESET) *SW_RESET = nRSTCON of GPIO MISCCR
PWREN	O	core power on-off control signal
nBATT_FLT	I	Probe for battery state (Does not wake up at Sleep mode in case of low battery state). If it isn't used, it has to be High (3.3V).
OM[4:0]	I	OM[4:0] set operating modes of S3C2416X Refer to " S3C2416X Operation Mode Description Table "
EXTCLK	I	External clock source. When OM[0] = 1, EXTCLK is used for MPLL and EPLL CLK source. If it isn't used, it has to be Low (0V).
Memory Interface (ROM/SRAM/NAND)		
RADDR[25:0]	O	RADDR[25:0] (Address Bus) outputs the memory address of the corresponding bank .
RDATA[15:0]	IO	RDATA[15:0] (Data Bus) inputs data during memory read and outputs data during memory write. The bus width is programmable among 8/16-bit.
nRCS[5:0]	O	nRCS[5:0] (Chip Select) are activated when the address of a memory is within the address region of each bank. The number of access cycles and the bank size can be programmed.
nRWE	O	nRWE (Write Enable) indicates that the current bus cycle is a write cycle.
nROE	O	nOE (Output Enable) indicates that the current bus cycle is a read cycle.

Signal	In/Out	Description
nRBE[1:0]	O	Upper byte/lower byte enable (In case of 16-bit SRAM)
nWAIT	I	nWAIT requests to prolong a current bus cycle. As long as nWAIT is L, the current bus cycle cannot be completed. If nWAIT signal isn't used in your system, nWAIT signal must be tied on pull-up resistor.
SDRAM I/F		
SADDR[15:0]	O	SDRAM Address bus
SDATA[31:0]	IO	SDRAM Data Bus
nSRAS	O	SDRAM row address strobe
nSCAS	O	SDRAM column address strobe
nSWE	O	SDRAM write enable
nSCS[1:0]	O	SDRAM chip select
DQM[3:0]	O	SDRAM data mask
DQS[1:0]	O	mDDR/DDR2 Data Strobe
SCLK	O	SDRAM clock
nSCLK	O	mDDR/DDR2 Conversion clock
SCKE	O	SDRAM clock enable
NAND Flash		
FCLE	O	Command latch enable
FALE	O	Address latch enable
nFCE	O	Nand flash chip enable
nFRE	O	Nand flash read enable
nFWE	O	Nand flash write enable
FRnB	I	Nand flash ready/busy
SMC/OneNAND		
RSMCLK	I/O	SMC Clock
RSMVAD	O	SMC Address Valid
R SMBWAIT	O	SMC Burst Wait
LCD Control Unit		
RGB_VD/SYS_VD[23:0]	O	RGB I/F Video Data: RGB_VD[23:0] i80 I/F Video DataSYS_VD[17:0]
RGB_VCLK/SYS_WR	O	RGB I/F LCD Clock i80 I/F Write Enable
RGB_VSYNC/SYS_CS1	O	RGB I/F Vertical Sync. Signal i80 I/F Sub LCD Select
RGB_HSYNC/SYS_CS0	O	RGB I/F Horizontal Sync. Signal i80 I/F Main LCD Select
RGB_VDEN/SYS_RS	O	RGB I/F Data Enable i80 I/F Register/ State select

Signal	In/Out	Description
RGB_LEND/SYS_OE	O	RGB I/F Line End Signal i80 I/F Output Enable
Interrupt Control Unit		
EINT[15:0]	I	External interrupt request
External I/F		
nXDREQ[1:0]	I	External DMA request
nXDACK[1:0]	O	External DMA acknowledge
nXBREQ	I	nXBREQ (Bus Hold Request) allows another bus master to request control of the local bus. nXBACK active indicates that bus control has been granted.
nXBACK	O	nXBACK (Bus Hold Acknowledge) indicates that the S3C2416X has surrendered control of the local bus to another bus master.
UART		
RXD[3:0]	I	UART receives data input (ch. 0/1/2)
TXD[3:0]	O	UART transmits data output (ch. 0/1/2)
nCTS[2:0]	I	UART clear to send input signal (ch. 0/1)
nRTS[2:0]	O	UART request to send output signal (ch. 0/1)
EXTUARTCLK	I	External clock input for UART
TSADC		
AIN[9:0]	AI	ADC input [9:0]. If do not use ADC function, AIN [9] and AIN [7] pins are tied to VDDA_ADC. Others are tied to GND. When touch screen device is used, A[6], A[7], A[8] and A[9] are used as YM, YP, XM and XP, respectively.
Vref	AI	ADC reference voltage
IIC-Bus		
IICSDA	IO	IIC-bus data
IIC_SCL	IO	IIC-bus clock
IIS-Multi Audio Interface		
I2SLRCK	IO	IIS-bus channel select clock
I2SSCLK	IO	IIS-bus serial clock
I2SCDCLK	IO	CODEC system clock
I2SSDI	I	IIS-bus serial data input
I2SSDO	O	IIS-bus serial data output(Front Left, Right)
I2SSDO_1	O	IIS-bus serial data output(Front Center, LFE)
I2SSDO_2	O	IIS-bus serial data output(Rear Left, Right)
AC'97		
AC_nRESET	IO	AC'97 Master H/W Reset
AC_SYNC	IO	12.288MHz serial data clock
AC_BIT_CLK0	O	48kHz fixed rate sample sync

Signal	In/Out	Description
AC_SDI0	I	Serial, time division multiplexed, AC'97 input stream
AC_SDO0	O	Serial, time division multiplexed, AC'97 output stream
PCM		
PCM0_SCLK	O	Serial shift clock
PCM0_FSYNC	O	Serial data indicator and synchronizer
PCM0_SDI	I	Serial PCM input data
PCM0_SDO	O	Serial PCM output data
PCM0_CDCLK	I	Optional External Clock source
USB Host		
DN	IO	DATA(-) from USB host. (Need to 15kΩ pull-down)
DP	IO	DATA(+) from USB host. (Need to 15kΩ pull-down)
USB Device		
DM_UDEV	IO	DATA(-) for USB peripheral.
DP_UDEV	IO	DATA(+) for USB peripheral.
REXT	O	External Resistor (44.2ohm +/- 1%)
XO_UDEV	OSC	Crystal output
XI_UDEV	OSC	Crystal input
SPI		
SPIMISO	IO	SPIMISO is the master data input line, when SPI is configured as a master. When SPI is configured as a slave, these pins reverse its role.
SPIMOSI	IO	SPIMOSI is the master data output line, when SPI is configured as a master. When SPI is configured as a slave, these pins reverse its role.
SPICLK	IO	SPI clock
nSS	I	SPI chip select (only for slave mode)
SDMMC Interface		
SD1_DAT[3:0]	IO	SD1 receive/transmit data
SD1_CMD	IO	SD1 receive response/ transmit command
SD1_CLK	O	SD1 clock
SD0_DAT[3:0]	IO	SD0 receive/transmit data
SD0_CMD	IO	SD0 receive response/ transmit command
SD0_CLK	O	SD0 clock
General Port		
GPn[137:0]	IO	General input/output ports, which are multiplexed with other function pins (some ports are output only).
TIMMER/PWM		
TOUT[3:0]	O	Timer output[3:0]
TCLK	I	External timer clock input

Signal	In/Out	Description
JTAG TEST LOGIC		
nTRST	I	nTRST (TAP Controller Reset) resets the TAP controller at start. If debugger is used, A 10K pull-up resistor has to be connected. If debugger (black ICE) is not used, nTRST pin must be issued by a low active pulse (Typically connected to nRESET).
TMS	I	TMS (TAP Controller Mode Select) controls the sequence of the TAP controller's states.
TCK	I	TCK (TAP Controller Clock) provides the clock input for the JTAG logic.
TDI	I	TDI (TAP Controller Data Input) is the serial input for test instructions and data.
TDO	O	TDO (TAP Controller Data Output) is the serial output for test instructions and data.
RTCK	O	Returned Clock
Power		
VDDalive	P	S3C2416X reset block and port status register VDD. It should be always supplied whether in normal mode or in Sleep mode.
VDDiarm	P	S3C2416X core logic VDD for ARM core.
VDDi	P	S3C2416X core logic VDD for Internal block.
VDDA_MPLL	P	S3C2416X MPLL analog and digital VDD.
VDDA_EPLL	P	S3C2416X EPLL analog and digital VDD
VDD_SDRAM	P	S3C2416X SDRAM I/O Power (1.8V/ 2.5V)
VDD_SRAM	P	S3C2416X ROM/SRAM I/O Power
VDD_OP1	P	S3C2416X System I/O Power 1 (1.8 ~ 3.3V)
VDD_OP2	P	S3C2416X System I/O Power 2 (1.8 ~ 3.3V)
VDD_OP3	P	S3C2416X System I/O Power 3 (1.8 ~ 3.3V)
VDD_LCD	P	S3C2416X LCD I/O Power (1.8 ~ 3.3V)
VDD_SD	P	S3C2416X SD/MMC I/O Power (1.8 ~ 3.3V)
VDD_RTC	P	RTC VDD (3.0V, Input range: 1.8 ~ 3.6V) This pin must be connected to power properly if RTC isn't used.
VDDA_ADC	P	S3C2416X ADC VDD(3.3V)
VSSi/VSSiarm	G	S3C2416X core logic VSS
VSSA_MPLL	G	S3C2416X MPLL analog and digital VSS.
VSSA_EPLL	G	S3C2416X EPLL analog and digital VSS
VSS_SDRAM	G	S3C2416X SDRAM I/O Ground
VSS_SRAM	G	S3C2416X ROM/SRAM I/O Ground
VSS_OP1	G	S3C2416X System I/O Ground
VSS_OP2	G	S3C2416X System I/O Ground
VSS_OP3	G	S3C2416X System I/O Ground
VSS_LCD	G	S3C2416X LCD I/O Ground
VSS_SD	G	S3C2416X SD/MMC I/O Ground

Signal	In/Out	Description
VSSA_ADC	G	S3C2416X ADC VSS
VDD_USBOSC	P	USB 2.0 Oscillator Power(1.8 ~ 3.3V)
VDDI_UDEV	P	USB 2.0 PHY Power (1.2V)
VSSI_UDEV	G	USB 2.0 PHY Ground
VDDA33C/VDDA33T1	P	USB 2.0 PHY Power (3.3V)
VSSA33C/VSSA33T2	G	USB 2.0 PHY Ground

NOTE: I/O : Input/Output. AI/AO : Analog I/O. ST : Schmitt-trigger. P : Power. G : Ground.

4.2 S3C2416X OPERATION MODE DESCRIPTION

Table 1-5. S3C2416X Operation Mode Description

OM[4]	OM[3]	OM[2]	OM[1]	OM[0]	OM[4]	OM[3]	OM[2]	OM[1]	OM[0]	Operation Mode	
0	1	0	0	0	iROM				X-TAL	iROM	
				1					EXTCLK		
1	0	0	0	0	Reserved				Reserved		
				1	JTAG				JTAG		
			1	0	0	0	OneNAND/ ROM	OneNAND (Muxed)	16-bit	X-TAL	OneNAND (Muxed)
						1				EXTCLK	
		1	0	0	0	ROM/ OneNAND (Demuxed)		8-bit	X-TAL	ROM/ OneNAND (Demuxed)	
					1				EXTCLK		
		1	1	0	0			16-bit	X-TAL		
					1				EXTCLK		

- * OM[0] selects the clock source of MPLL/EPLL
 (You can select different EPLL clock source with that of MPLL by software setting – refer to SYSCON)

4.3 S3C2416X MEMORY MAP AND BASE ADDRESS OF SPECIAL REGISTERS

4.3.1 Memory Map

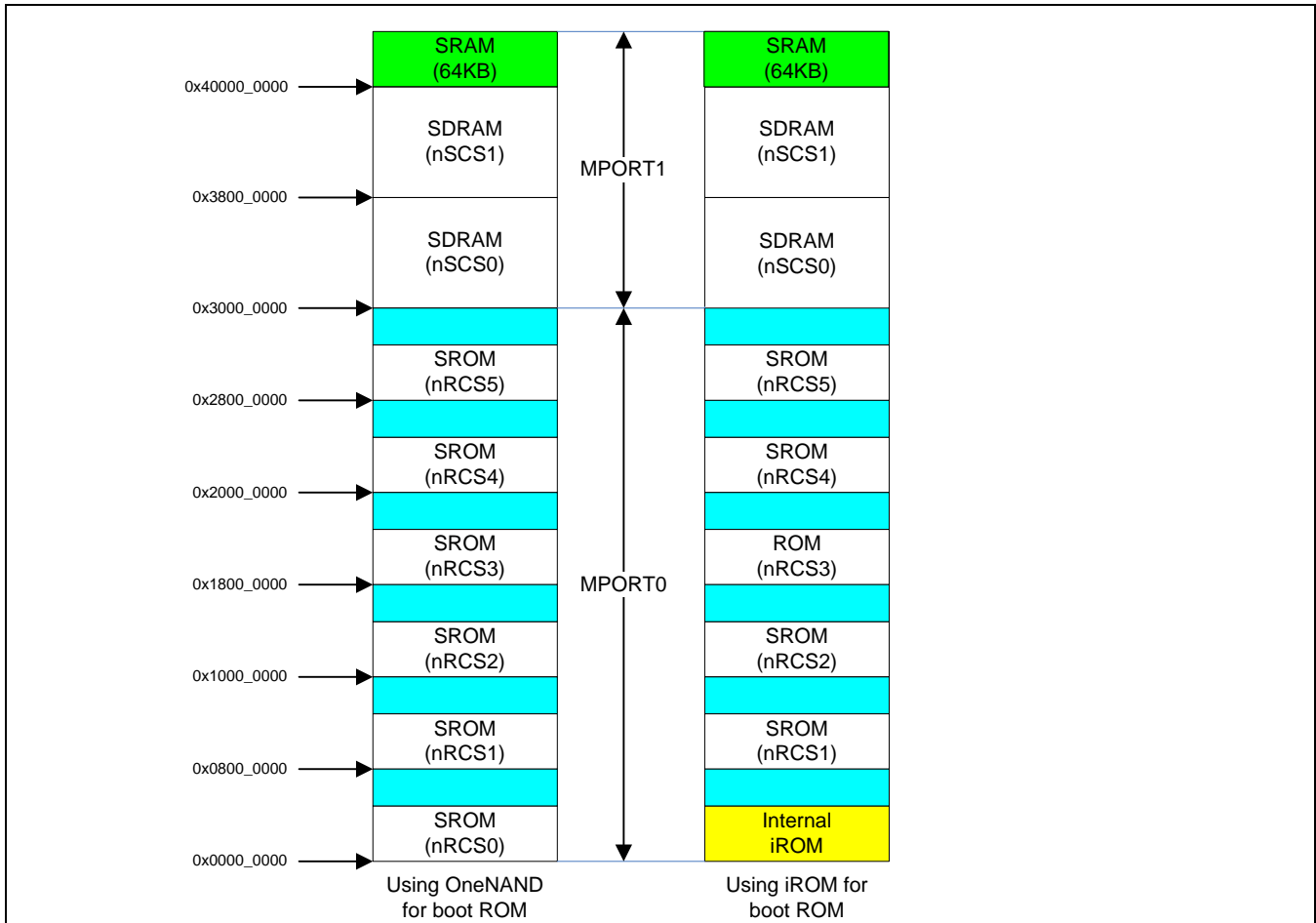


Figure 1-3. Memory Map

Table 1-6. Base Address of Special Registers

Address	Module	Address	Module
0x4E00_0000	NFCON	0x5E00_0000	Reserved
0x4D80_0000	Reserved	0x5D00_0000	Reserved
0x4D40_8000	2D	0x5C00_0100	Reserved
0x4D00_0000	Reserved	0x5C00_0000	PCM
0x4C80_0000	LCD	0x5B00_0000	AC97
0x4C00_0000	SYSCON	0x5A00_0000	Reserved
0x4B80_0000	Reserved	0x5900_0000	Reserved
0x4B00_0700	Reserved	0x5800_0000	TSADC
0x4B00_0600	Reserved	0x5700_0000	RTC
0x4B00_0500	DMA5	0x5600_0000	IO Port
0x4B00_0400	DMA4	0x5500_0100	Reserved
0x4B00_0300	DMA3	0x5500_0000	IIS0
0x4B00_0200	DMA2	0x5400_0100	Reserved
0x4B00_0100	DMA1	0x5400_0000	IIC0
0x4B00_0000	DMA0	0x5300_0000	WDT
0x4AC0_0000	HS-MMC0	0x5200_0000	HS-SPI0
0x4A80_0000	HS-MMC1	0x5100_0000	PWM
0x4A00_0000	INTC	0x5000_0000	UART
0x4980_0000	USB Device	0x4F80_0000	Reserved
0x4900_0000	USB HOST	0x4F00_0000	SSMC
0x4880_0000	EBI	0x4E80_0000	MATRIX
0x4800_0000	SDRAM		

Table 1-7. S3C2416X Special Registers

Register Name	Address	Reset Value	Acc. Unit	Read/Write	Function
DRAM Controller					
BANKCFG	0x48000000	0x00099F0D	W	R/W	Mobile DRAM configuration register
BANKCON1	0x48000004	0x00000008	W	R/W	Mobile DRAM control register
BANKCON2	0x48000008	0x00000008	W	R/W	Mobile DRAM timing control register
BANKCON3	0x4800000C	0x00000008	W	R/W	Mobile DRAM (E)MRS Register
REFRESH	0x48000010	0x00000020	W	R/W	Mobile DRAM refresh control register
TIMEOUT	0x48000014	0x00000000	W	R/W	Write Buffer Time out control register
MATRIX & EBI					
BPRIORITY0	0X4E800000	0x0000_0004	W	R/W	Matrix Core 0 priority control register
BPRIORITY1	0X4E800004	0x0000_0004	W	R/W	Matrix Core 1 priority control register
EBICON	0X4E800008	0x0000_0004	W	R/W	EBI control register
Memory Controllers (SSMC)					
SMBIDCYR0	0x4F000000	0x0000000F	W	R/W	Bank0 idle cycle control register
SMBIDCYR1	0x4F000020	0x0000000F	W	R/W	Bank1 idle cycle control register
SMBIDCYR2	0x4F000040	0x0000000F	W	R/W	Bank2 idle cycle control register
SMBIDCYR3	0x4F000060	0x0000000F	W	R/W	Bank3 idle cycle control register
SMBIDCYR4	0x4F000080	0x0000000F	W	R/W	Bank4 idle cycle control register
SMBIDCYR5	0x4F0000A0	0x0000000F	W	R/W	Bank5 idle cycle control register
SMBWSTRDR0	0x4F000004	0x00000001	W	R/W	Bank0 read wait state control register
SMBWSTRDR1	0x4F000024	0x0000001F	W	R/W	Bank1 read wait state control register
SMBWSTRDR2	0x4F000044	0x0000001F	W	R/W	Bank2 read wait state control register
SMBWSTRDR3	0x4F000064	0x0000001F	W	R/W	Bank3 read wait state control register
SMBWSTRDR4	0x4F000084	0x0000001F	W	R/W	Bank4 read wait state control register
SMBWSTRDR5	0x4F0000A4	0x0000001F	W	R/W	Bank5 read wait state control register
SMBWSTWRR0	0x4F000008	0x0000001F	W	R/W	Bank0 write wait state control register
SMBWSTWRR1	0x4F000028	0x0000001F	W	R/W	Bank1 write wait state control register
SMBWSTWRR2	0x4F000048	0x0000001F	W	R/W	Bank2 write wait state control register
SMBWSTWRR3	0x4F000068	0x0000001F	W	R/W	Bank3 write wait state control register
SMBWSTWRR4	0x4F000088	0x0000001F	W	R/W	Bank4 write wait state control register
SMBWSTWRR5	0x4F0000A8	0x0000001F	W	R/W	Bank5 write wait state control register
SMBWSTOENR0	0x4F00000C	0x00000002	W	R/W	Bank0 output enable assertion delay control register
SMBWSTOENR1	0x4F00002C	0x00000002	W	R/W	Bank1 output enable assertion delay control register
SMBWSTOENR2	0x4F00004C	0x00000002	W	R/W	Bank2 output enable assertion delay control register

Register Name	Address	Reset Value	Acc. Unit	Read/Write	Function
SMBWSTOENR3	0x4F00006C	0x00000002	W	R/W	Bank3 output enable assertion delay control register
SMBWSTOENR4	0x4F00008C	0x00000002	W	R/W	Bank4 output enable assertion delay control register
SMBWSTOENR5	0x4F0000AC	0x00000002	W	R/W	Bank5 output enable assertion delay control register
SMBWSTWENR0	0x4F000010	0x00000002	W	R/W	Bank0 write enable assertion delay control register
SMBWSTWENR1	0x4F000030	0x00000002	W	R/W	Bank1 write enable assertion delay control register
SMBWSTWENR2	0x4F000050	0x00000002	W	R/W	Bank2 write enable assertion delay control register
SMBWSTWENR3	0x4F000070	0x00000002	W	R/W	Bank3 write enable assertion delay control register
SMBWSTWENR4	0x4F000090	0x00000002	W	R/W	Bank4 write enable assertion delay control register
SMBWSTWENR5	0x4F0000B0	0x00000002	W	R/W	Bank5 write enable assertion delay control register
SMBCR0	0x4F000014	-	W	R/W	Bank0 control register
SMBCR1	0x4F000034	0x00303000	W	R/W	Bank1 control register
SMBCR2	0x4F000054	0x00303010	W	R/W	Bank2 control register
SMBCR3	0x4F000074	0x00303000	W	R/W	Bank3 control register
SMBCR4	0x4F000094	0x00303010	W	R/W	Bank4 control register
SMBCR5	0x4F0000B4	0x00303010	W	R/W	Bank5 control register
SMBSR0	0x4F000018	0x00000000	W	R/W	Bank0 status register
SMBSR1	0x4F000038	0x00000000	W	R/W	Bank1 status register
SMBSR2	0x4F000058	0x00000000	W	R/W	Bank2 status register
SMBSR3	0x4F000078	0x00000000	W	R/W	Bank3 status register
SMBSR4	0x4F000098	0x00000000	W	R/W	Bank4 status register
SMBSR5	0x4F0000B8	0x00000000	W	R/W	Bank5 status register
SMBWSTBRDR0	0x4F00001C	0x0000001F	W	R/W	Bank0 burst read wait delay control register
SMBWSTBRDR1	0x4F00003C	0x0000001F	W	R/W	Bank1 burst read wait delay control register
SMBWSTBRDR2	0x4F00005C	0x0000001F	W	R/W	Bank2 burst read wait delay control register
SMBWSTBRDR3	0x4F00007C	0x0000001F	W	R/W	Bank3 burst read wait delay control register
SMBWSTBRDR4	0x4F00009C	0x0000001F	W	R/W	Bank4 burst read wait delay control register
SMBWSTBRDR5	0x4F0000BC	0x0000001F	W	R/W	Bank5 burst read wait delay control register
SMBONETYPER	0x4F000100	-	W	R/W	SMC Bank OneNAND type selection register
SMCSR	0x4F000200	0x00000000	W	R/W	SMC status register
SMCCR	0x4F000204	0x00000003	W	R/W	SMC Control register

Register Name	Address	Reset Value	Acc. Unit	Read/Write	Function
Interrupt Controller					
SRCPND1	0X4A000000	0x00000000	W	R/W	Interrupt request status
INTMOD1	0X4A000004	0x00000000	W	R/W	Interrupt mode control
INTMSK1	0X4A000008	0xFFFFFFFF	W	R/W	Interrupt mask control
INTPND1	0X4A000010	0x00000000	W	R/W	Interrupt request status
INTOFFSET1	0X4A000014	0x00000000	W	R	Interrupt request source offset
SUBSRCPND	0X4A000018	0xFFFFFFFF	W	R/W	Sub source pending
INTSUBMSK	0X4A00001C	0x00000000	W	R/W	Interrupt sub mask
PRIORITY_MODE1	0X4A000030	0x00000000	W	R/W	Priority mode register
PRIORITY_UPDATE1	0X4A000034	0xFFFFFFFF	W	R/W	Priority update register
SRCPND2	0X4A000040	0x00000000	W	R/W	Interrupt request status 2
INTMOD2	0X4A000044	0x00000000	W	R/W	Interrupt mode control 2
INTMSK2	0X4A000048	0xFFFFFFFF	W	R/W	Interrupt mask control 2
INTPND2	0X4A000050	0x00000000	W	R/W	Interrupt request status 2
INTOFFSET2	0X4A000054	0x00000000	W	R	Interrupt request source offset 2
PRIORITY_MODE2	0X4A000070	0x00000000	W	R/W	Priority mode register 2
PRIORITY_UPDATE2	0X4A000074	0x0000007F	W	R/W	Priority update register 2
USB Host Controller					
HcRevision	0x49000000		W	R/W	Control and status group
HcControl	0x49000004			R/W	
HcCommonStatus	0x49000008			R/W	
HcInterruptStatus	0x4900000C			R/W	
HcInterruptEnable	0x49000010			R/W	
HcInterruptDisable	0x49000014			R/W	
HcHCCA	0x49000018			R/W	Memory pointer group
HcPeriodCuttentED	0x4900001C			R/W	
HcControlHeadED	0x49000020			R/W	
HcControlCurrentED	0x49000024			R/W	
HcBulkHeadED	0x49000028			R/W	
HcBulkCurrentED	0x4900002C			R/W	
HcDoneHead	0x49000030			R/W	Frame counter group
HcRmInterval	0x49000034			R/W	
HcFmRemaining	0x49000038			R/W	
HcFmNumber	0x4900003C			R/W	
HcPeriodicStart	0x49000040			R/W	
HcLSThreshold	0x49000044			R/W	
HcRhDescriptorA	0x49000048			R/W	Root hub group

Register Name	Address	Reset Value	Acc. Unit	Read/Write	Function
HcRhDescriptorB	0x4900004C			R/W	
HcRhStatus	0x49000050			R/W	
HcRhPortStatus1	0x49000054			R/W	
HcRhPortStatus2	0x49000058			R/W	
DMA					
DISRC0	0x4B000000		W	R/W	DMA 0 initial source
DISRCC0	0x4B000004			R/W	DMA 0 initial source control
DIDST0	0x4B000008			R/W	DMA 0 initial destination
DIDSTC0	0x4B00000C			R/W	DMA 0 initial destination control
DCON0	0x4B000010			R/W	DMA 0 control
DSTAT0	0x4B000014			R	DMA 0 count
DCSRC0	0x4B000018			R	DMA 0 current source
DCDST0	0x4B00001C			R	DMA 0 current destination
DMASKTRIG0	0x4B000020			R/W	DMA 0 mask trigger
DMAREQSEL0	0x4B000024			R/W	DMA0 Request Selection Register
DISRC1	0x4B000100		W	R/W	DMA 1 initial source
DISRCC1	0x4B000104			R/W	DMA 1 initial source control
DIDST1	0x4B000108			R/W	DMA 1 initial destination
DIDSTC1	0x4B00010C			R/W	DMA 1 initial destination control
DCON1	0x4B000110			R/W	DMA 1 control
DSTAT1	0x4B000114			R	DMA 1 count
DCSRC1	0x4B000118			R	DMA 1 current source
DCDST1	0x4B00011C			R	DMA 1 current destination
DMASKTRIG1	0x4B000120			R/W	DMA 1 mask trigger
DMAREQSEL1	0x4B000124			R/W	DMA1 Request Selection Register
DISRC2	0x4B000200		W	R/W	DMA 2 initial source
DISRCC2	0x4B000204			R/W	DMA 2 initial source control
DIDST2	0x4B000208			R/W	DMA 2 initial destination
DIDSTC2	0x4B00020C			R/W	DMA 2 initial destination control
DCON2	0x4B000210			R/W	DMA 2 control
DSTAT2	0x4B000214			R	DMA 2 count
DCSRC2	0x4B000218			R	DMA 2 current source
DCDST2	0x4B00021C			R	DMA 2 current destination
DMASKTRIG2	0x4B000220			R/W	DMA 2 mask trigger
DMAREQSEL2	0x4B000224			R/W	DMA2 Request Selection Register
DISRC3	0x4B000300		W	R/W	DMA 3 initial source
DISRCC3	0x4B000304			R/W	DMA 3 initial source control

Register Name	Address	Reset Value	Acc. Unit	Read/Write	Function
DIDST3	0x4B000308			R/W	DMA 3 initial destination
DIDSTC3	0x4B00030C			R/W	DMA 3 initial destination control
DCON3	0x4B000310			R/W	DMA 3 control
DSTAT3	0x4B000314			R	DMA 3 count
DCSRC3	0x4B000318			R	DMA 3 current source
DCDST3	0x4B00031C			R	DMA 3 current destination
DMASKTRIG3	0x4B000320			R/W	DMA 3 mask trigger
DMAREQSEL3	0x4B000324			R/W	DMA3 Request Selection Register
DISRC4	0x4B000400		W	R/W	DMA 4 initial source
DISRCC4	0x4B000404			R/W	DMA 4 initial source control
DIDST4	0x4B000408			R/W	DMA 4 initial destination
DIDSTC4	0x4B00040C			R/W	DMA 4 initial destination control
DCON4	0x4B000410			R/W	DMA 4 control
DSTAT4	0x4B000414			R	DMA 4 count
DCSRC4	0x4B000418			R	DMA 4 current source
DCDST4	0x4B00041C			R	DMA 4 current destination
DMASKTRIG4	0x4B000420			R/W	DMA 4 mask trigger
DMAREQSEL4	0x4B000424			R/W	DMA4 Request Selection Register
DISRC5	0x4B000500		W	R/W	DMA 5 initial source
DISRCC5	0x4B000504			R/W	DMA 5 initial source control
DIDST5	0x4B000508			R/W	DMA 5 initial destination
DIDSTC5	0x4B00050C			R/W	DMA 5 initial destination control
DCON5	0x4B000510			R/W	DMA 5 control
DSTAT5	0x4B000514			R	DMA 5 count
DCSRC5	0x4B000518			R	DMA 5 current source
DCDST5	0x4B00051C			R	DMA 5 current destination
DMASKTRIG5	0x4B000520			R/W	DMA 5 mask trigger
DMAREQSEL5	0x4B000524			R/W	DMA5 Request Selection Register
System Controller					
LOCKCON0	0x4C00_0000	0x0000_FFFF	W	R/W	MPLL lock time count register
LOCKCON1	0x4C00_0004	0x0000_FFFF			EPLL lock time count register
OSCSET	0x4C00_0008	0x0000_8000			Oscillator stabilization control register
MPLLCON	0x4C00_0010	0x0185_40C0			MPLL configuration register
EPLLCON	0x4C00_0018	0x0120_0102			EPLL configuration register
EPLLCON_K	0x4C00_001C	0x0000_0000			EPLL configuration register for K Value
CLKSRC	0x4C00_0020	0x0000_0000			Clock source control register

Register Name	Address	Reset Value	Acc. Unit	Read/Write	Function
CLKDIV0	0x4C00_0024	0x0000_000C			Clock divider ratio control register0
CLKDIV1	0x4C00_0028	0x0000_0000			Clock divider ratio control register1
CLKDIV2	0x4C00_002C	0x0000_0000			Clock divider ratio control register2
HCLKCON	0x4C00_0030	0xFFFF_FFFF			HCLK enable register
PCLKCON	0x4C00_0034	0xFFFF_FFFF			PCLK enable register
SCLKCON	0x4C00_0038	0xFFFF_DFFF			Special clock enable register
PWRMODE	0x4C00_0040	0x0000_0000			Power mode control register
SWRST	0x4C00_0044	0x0000_0000			Software reset control register
BUSPRI0	0x4C00_0050	0x0000_0000			Bus priority control register 0
PWRCFG	0x4C00_0060	0x0000_0000			Power management configuration register
RSTCON	0x4C00_0064	0x0006_0101		R	Reset control register
RSTSTAT	0x4C00_0068	0x0000_0001		R/W	Reset status register
WKUPSTAT	0x4C00_006C	0x0000_0000			Wake-up status register
INFORM0	0x4C00_0070	0x0000_0000		R	SLEEP mode information register 0
INFORM1	0x4C00_0074	0x0000_0000		R/W	SLEEP mode information register 1
INFORM2	0x4C00_0078	0x0000_0000			SLEEP mode information register 2
INFORM3	0x4C00_007C	0x0000_0000			SLEEP mode information register 3
PHYCTRL	0x4C00_0080	0x0000_0000			USB PHY control register
PHYPWR	0x4C00_0084	0x0000_0000			USB PHY power control register
URSTCON	0x4C00_0088	0x0000_0000			USB PHY Reset control register
UCLKCON	0x4C00_008C	0x0000_0000			USB PHY clock control register
LCD Controller					
VIDCON0	0x4C80_0000	0x0000_0000	W	R/W	Video control 0 register
VIDCON1	0x4C80_0004	0x0000_0000	W	R/W	Video control 1 register
VIDTCON0	0x4C80_0008	0x0000_0000	W	R/W	Video time control 0 register
VIDTCON1	0x4C80_000C	0x0000_0000	W	R/W	Video time control 1 register
VIDTCON2	0x4C80_0010	0x0000_0000	W	R/W	Video time control 2 register
WINCON0	0x4C80_0014	0x0000_0000	W	R/W	Window control 0 register
WINCON1	0x4C80_0018	0x0000_0000	W	R/W	Window control 1 register
VIDOSD0A	0x4C80_0028	0x0000_0000	W	R/W	Video Window 0's position control register
VIDOSD0B	0x4C80_002C	0x0000_0000	W	R/W	Video Window 0's position control register
VIDOSD1A	0x4C80_0034	0x0000_0000	W	R/W	Video Window 1's position control register
VIDOSD1B	0x4C80_0038	0x0000_0000	W	R/W	Video Window 1's position control register
VIDOSD1C	0x4C80_003C	0x0000_0000	W	R/W	Video Window 1's alpha value register
VIDW00ADD0B0	0x4C80_0064	0x0000_0000	W	R/W	Window 0's buffer start address register, buffer 0

Register Name	Address	Reset Value	Acc. Unit	Read/Write	Function
VIDW00ADD0B1	0x4C80_0068	0x0000_0000	W	R/W	Window 0's buffer start address register, buffer 1
VIDW01ADD0	0x4C80_006C	0x0000_0000	W	R/W	Window 1's buffer start address register
VIDW00ADD1B0	0x4C80_007C	0x0000_0000	W	R/W	Window 0's buffer end address register, buffer 0
VIDW00ADD1B1	0x4C80_0080	0x0000_0000	W	R/W	Window 0's buffer end address register, buffer 1
VIDW01ADD1	0x4C80_0084	0x0000_0000	W	R/W	Window 1's buffer end address register
VIDW00ADD2B0	0x4C80_0094	0x0000_0000	W	R/W	Window 0's buffer size register, buffer 0
VIDW00ADD2B1	0x4C80_0098	0x0000_0000	W	R/W	Window 0's buffer size register, buffer 1
VIDW01ADD2	0x4C80_009C	0x0000_0000	W	R/W	Window 1's buffer size register
VIDINTCON	0x4C80_00AC	0x03F0_0000	W	R/W	Indicate the Video interrupt control register
W1KEYCON0	0x4C80_00B0	0x0000_0000	W	R/W	Color key control register
W1KEYCON1	0x4C80_00B4	0x0000_0000	W	R/W	Color key value (transparent value) register
W2KEYCON0	0x4C80_00B8	0x0000_0000	W	R/W	Color key control register
W2KEYCON1	0x4C80_00BC	0x0000_0000	W	R/W	Color key value (transparent value) register
W3KEYCON0	0x4C80_00C0	0x0000_0000	W	R/W	Color key control register
W3KEYCON1	0x4C80_00C4	0x0000_0000	W	R/W	Color key value (transparent value) register
W4KEYCON0	0x4C80_00C8	0x0000_0000	W	R/W	Color key control register
W4KEYCON1	0x4C80_00CC	0x0000_0000	W	R/W	Color key value (transparent value) register
WIN0MAP	0x4C80_00D0	0x0000_0000	W	R/W	Window color control
WIN1MAP	0x4C80_00D4	0x0000_0000	W	R/W	Window color control
WPALCON	0x4C80_00E4	0x0000_0000	W	R/W	Window Palette control register
SYSIFCON0	0x4C80_0130	0x0000_0000	W	R/W	System Interface control for Main LDI
SYSIFCON1	0x4C80_0134	0x0000_0000	W	R/W	System Interface control for Sub LDI
DITHMODE	0x4C80_0138	0x0000_0000	W	R/W	Dithering mode register.
SIFCCON0	0x4C80_013C	0x0000_0000	W	R/W	System interface command control
SIFCCON1	0x4C80_0140	0x0000_0000	W	R/W	SYS IF command data write control
SIFCCON2	0x4C80_0144	0x0000_0000	W	R	SYS IF command data read control
CPUTRIGCON2	0x4C80_0160	0x0000_0000	W	R/W	CPU trigger source mask
WIN0 Palette RAM	0x4C80_0400~ 0x4C80_07FC	Undefined	W	R/W	Window 0's palette entry 0~255 address
WIN1 Palette RAM	0x4C80_0800~ 0x4C80_0BFC	Undefined	W	R/W	Window 0's palette entry 0~255 address
NAND Flash					
NFCONF	0x4E000000	0x*000100*	W	R/W	Configuration register
NFCONT	0x4E000004	0x000100C6	W	R/W	Control register
NFCMMD	0x4E000008	0x00000000	W	R/W	Command register

Register Name	Address	Reset Value	Acc. Unit	Read/Write	Function
NFADDR	0x4E00000C	0x00000000	W	R/W	Address register
NFDATA	0x4E000010	-	B/W	R/W	Data register
NFMECCD0	0x4E000014	0x00000000	W	R/W	1st and 2nd main ECC data register
NFMECCD1	0x4E000018	0x00000000	W	R/W	3rd and 4th main ECC data register
NFSECCD	0x4E00001C	0x00000000	W	R/W	Spare ECC read register
NFSBLK	0x4E000020	0x00000000	W	R/W	Programmable start block address register
NFEBLK	0x4E000024	0x00000000	W	R/W	Programmable end block address register
NFSTAT	0x4E000028	0x0080001D	W	R	NAND status registet
NFECCERR0	0x4E00002C	-	W	R	ECC error status0 register
NFECCERR1	0x4E000030	0x00000000	W	R	ECC error status1 register
NFMECC0	0x4E000034	-	W	R	Generated ECC status0 register
NFMECC1	0x4E000038	-	W	R	Generated ECC status1 register
NFSECC	0x4E00003C	-	W	R	Generated Spare area ECC status register
NFMLCBITPT	0x4E000040	0x00000000	W	R	4-bit ECC error bit pattern register
NF8ECCERR0	0x4E000044	0x40000000	W	R	8bit ECC error status0 register
NF8ECCERR1	0x4E000048	0x00000000	W	R	8bit ECC error status1 register
NF8ECCERR2	0x4E00004C	0x00000000	W	R	8bit ECC error status2 register
NFM8ECC0	0x4E000050	-	W	R	Generated 8-bit ECC status0 register
NFM8ECC1	0x4E000054	-	W	R	Generated 8-bit ECC status1 register
NFM8ECC2	0x4E000058	-	W	R	Generated 8-bit ECC status2 register
NFM8ECC3	0x4E00005C	-	W	R	Generated 8-bit ECC status3 register
NFMLC8BITPT0	0x4E000060	0x00000000	W	R	8-bit ECC error bit pattern 0 register
NFMLC8BITPT1	0x4E000064	0x00000000	W	R	8-bit ECC error bit pattern 1 register
UART					
ULCON0	0x50000000		W	R/W	UART 0 line control
UCON0	0x50000004				UART 0 control
UFCON0	0x50000008				UART 0 FIFO control
UMCON0	0x5000000C				UART 0 modem control
UTRSTAT0	0x50000010			R	UART 0 Tx/Rx status
UERSTAT0	0x50000014				UART 0 Rx error status
UFSTAT0	0x50000018				UART 0 FIFO status
UMSTAT0	0x5000001C				UART 0 modem status
UTXH0	0x50000020		B	W	UART 0 transmission hold
URXH0	0x50000024			R	UART 0 receive buffer
UBRDIV0	0x50000028		W	R/W	UART 0 baud rate divisor
UDIVSLOT0	0x5000002C				Baud rate divisor(decimal place) register 0

Register Name	Address	Reset Value	Acc. Unit	Read/Write	Function
ULCON1	0x50004000				UART 1 line control
UCON1	0x50004004				UART 1 control
UFCON1	0x50004008				UART 1 FIFO control
UMCON1	0x5000400C				UART 1 modem control
UTRSTAT1	0x50004010			R	UART 1 Tx/Rx status
UERSTAT1	0x50004014				UART 1 Rx error status
UFSTAT1	0x50004018				UART 1 FIFO status
UMSTAT1	0x5000401C				UART 1 modem status
UTXH1	0x50004020		B	W	UART 1 transmission hold
URXH1	0x50004024			R	UART 1 receive buffer
UBRDIV1	0x50004028		W	R/W	UART 1 baud rate divisor
UDIVSLOT1	0x5000402C				Baud rate divisor(decimal place) register 1
ULCON2	0x50008000				UART 2 line control
UCON2	0x50008004				UART 2 control
UFCON2	0x50008008				UART 2 FIFO control
UTRSTAT2	0x50008010			R	UART 2 Tx/Rx status
UERSTAT2	0x50008014				UART 2 Rx error status
UFSTAT2	0x50008018				UART 2 FIFO status
UTXH2	0x50008020		B	W	UART 2 transmission hold
URXH2	0x50008024			R	UART 2 receive buffer
UBRDIV2	0x50008028		W	R/W	UART 2 baud rate divisor
UDIVSLOT2	0x5000802C				Baud rate divisor(decimal place) register 2
ULCON3	0x5000C000				UART 3 line control
UCON3	0x5000C004				UART 3 control
UFCON3	0x5000C008				UART 3 FIFO control
UTRSTAT3	0x5000C010			R	UART 3 Tx/Rx status
UERSTAT3	0x5000C014				UART 3 Rx error status
UFSTAT3	0x5000C018				UART 3 FIFO status
UTXH3	0x5000C020		B	W	UART 3 transmission hold
URXH3	0x5000C024			R	UART 3 receive buffer
UBRDIV3	0x5000C028		W	R/W	UART 3 baud rate divisor
UDIVSLOT3	0x5000C02C				Baud rate divisor(decimal place) register 3
PWM Timer					
TCFG0	0x51000000	0x0	W	R/W	Timer configuration
TCFG1	0x51000004	0x0	W	R/W	Timer configuration

Register Name	Address	Reset Value	Acc. Unit	Read/Write	Function
TCON	0x51000008	0x0	W	R/W	Timer control
TCNTB0	0x5100000C	0x0	W	R/W	Timer count buffer 0
TCMPB0	0x51000010	0x0	W	R/W	Timer compare buffer 0
TCNTO0	0x51000014	0x0	W	R	Timer count observation 0
TCNTB1	0x51000018	0x0	W	R/W	Timer count buffer 1
TCMPB1	0x5100001C	0x0	W	R/W	Timer compare buffer 1
TCNTO1	0x51000020	0x0	W	R	Timer count observation 1
TCNTB2	0x51000024	0x0	W	R/W	Timer count buffer 2
TCMPB2	0x51000028	0x0	W	R/W	Timer compare buffer 2
TCNTO2	0x5100002C	0x0	W	R	Timer count observation 2
TCNTB3	0x51000030	0x0	W	R/W	Timer count buffer 3
TCMPB3	0x51000034	0x0	W	R/W	Timer compare buffer 3
TCNTO3	0x51000038	0x0	W	R	Timer count observation 3
TCNTB4	0x5100003C	0x0	W	R/W	Timer count buffer 4
TCNTO4	0x51000040	0x0	W	R	Timer count observation 4
USB Device					
IR	0x4980_0000	0x0		R/W	Index Register
EIR	0x4980_0004	0x0		R/W	Endpoint Interrupt Register
EIER	0x4980_0008	0x0		R/W	Endpoint Interrupt Enable Register
FAR	0x4980_000C	0x0		R	Function Address Register
EDR	0x4980_0014	0x0		R/W	Endpoint Direction Register
TR	0x4980_0018	0x0		R/W	Test Register
SSR	0x4980_001C	0x0		R/W	System Status Register
SCR	0x4980_0020	0x0		R/W	System Control Register
EP0SR	0x4980_0024	0x0		R/W	EP0 Status Register
EP0CR	0x4980_0028	0x0		R/W	EP0 Control Register
EP0BR	0x4980_0060	0x0		R/W	EP0 Buffer Register
EP1BR	0x4980_0064	0x0		R/W	EP1 Buffer Register
EP2BR	0x4980_0068	0x0		R/W	EP2 Buffer Register
EP3BR	0x4980_006C	0x0		R/W	EP3 Buffer Register
EP4BR	0x4980_0070	0x0		R/W	EP4 Buffer Register
EP5BR	0x4980_0074	0x0		R/W	EP5 Buffer Register
EP6BR	0x4980_0078	0x0		R/W	EP6 Buffer Register
EP7BR	0x4980_007C	0x0		R/W	EP7 Buffer Register
EP8BR	0x4980_0080	0x0		R/W	EP8 Buffer Register
FCON	0x4980_0100	0x0		R/W	Burst FIFO-DMA Control
FSTAT	0x4980_0104	0x0		R	Burst FIFO status

Register Name	Address	Reset Value	Acc. Unit	Read/Write	Function
ESR	0x4980_002C	0x0		R/W	Endpoints Status Register
ECR	0x4980_0030	0x0		R/W	Endpoints Control Register
BRCR	0x4980_0034	0x0		R	Byte Read Count Register
BWCR	0x4980_0038	0x0		R/W	Byte Write Count Register
MPR	0x4980_003C	0x0		R/W	Max Packet Register
DCR	0x4980_0040	0x0		R/W	DMA Control Register
DTCR	0x4980_0044	0x0		R/W	DMA Transfer Counter Register
DFCR	0x4980_0048	0x0		R/W	DMA FIFO Counter Register
DTTCR1	0x4980_004C	0x0		R/W	DMA Total Transfer Counter1 Register
DTTCR2	0x4980_0050	0x0		R/W	DMA Total Transfer Counter2 Register
MICR	0x4980_0084	0x0		R/W	Master Interface Control Register
MBAR	0x4980_0088	0x0		R/W	Memory Base Address Register
MCAR	0x4980_008C	0x0		R	Memory Current Address Register
Watchdog Timer					
WTCON	0x53000000	0x0000_8021	W	R/W	Watchdog timer mode
WTDAT	0x53000004	0x0000_8000			Watchdog timer data
WTCNT	0x53000008	0x0000_8000			Watchdog timer count
IIC					
IICCON0	0x54000000		W	R/W	IIC0 control
IICSTAT0	0x54000004				IIC0 status
IICADD0	0x54000008				IIC0 address
IICDS0	0x5400000C				IIC0 data shift
IICLC0	0x54000010				IIC0 multi-master line control
IIS Multi Audio Interface					
IISCON	0x55000000	0xC600	W	R/W	IIS control
IISMOD	0x55000004	0x0			IIS mode
I2SFIC	0x55000008	0x0			I2S interface FIFO control register
I2SPSR	0x5500000C	0x0			I2S interface clock divider control register
I2STXD	0x55000010	0x0		W	I2S interface transmit data register
I2SRXD	0x55000014	0x0		R	I2S interface receive data register
I/O port					
GPACON	0x56000000	0xFFFFF	W	R/W	Port A control
GPADAT	0x56000004	0x0	W	R/W	Port A data
GPBCON	0x56000010	0x0	W	R/W	Port B control
GPBDAT	0x56000014	0x0	W	R/W	Port B data
GPBUDP	0x56000018	0x00155555	W	R/W	Pull-up/down control B
GPBSEL	0x5600001c	0x1	W	R/W	Selects the function of port B

Register Name	Address	Reset Value	Acc. Unit	Read/Write	Function
GPCCON	0x56000020	0x0	W	R/W	Port C control
GPCDAT	0x56000024	0x0	W	R/W	Port C data
GPCUDP	0x56000028	0x55555555	W	R/W	Pull-up/down control C
GPDCON	0x56000030	0x0	W	R/W	Port D control
GPDDAT	0x56000034	0x0	W	R/W	Port D data
GPDUDP	0x56000038	0x55555555	W	R/W	Pull-up/down control D
GPECON	0x56000040	0x0	W	R/W	Port E control
GPEDAT	0x56000044	0x0	W	R/W	Port E data
GPEUDP	0x56000048	0x55555555	W	R/W	Pull-up/down control E
GPESEL	0x5600004c	0x0	W	R/W	Selects the function of port E
GPFCON	0x56000050	0x0	W	R/W	Port F control
GPFDAT	0x56000054	0x0	W	R/W	Port F data
GPFUDDP	0x56000058	0x5555	W	R/W	Pull-up/down control F
GPGCON	0x56000060	0x0	W	R/W	Port G control
GPGDAT	0x56000064	0x0	W	R/W	Port G data
GPGUDP	0x56000068	0x55555555	W	R/W	Pull-up/down control G
GPHCON	0x56000070	0x0	W	R/W	Port H control
GPHDAT	0x56000074	0x0	W	R/W	Port H data
GPHUDP	0x56000078	0x15555555	W	R/W	Pull-up/down control H
GPJCON	0x560000D0	0x0	W	R/W	Port J control
GPJDAT	0x560000D4	0x0	W	R/W	Port J data
GPJUDDP	0x560000D8	0x55555555	W	R/W	Pull-up/down control J
GPJSEL	0x560000dc	0x0	W	R/W	Selects the function of port J
GPKCON	0x560000E0	0xAAAAAAAA	W	R/W	Port K control
GPKDAT	0x560000E4	0x0	W	R/W	Port K data
GPKUDP	0x560000E8	0x55555555	W	R/W	Pull-up/down control K
GPLCON	0x560000F0	0x0	W	R/W	Port L control
GPLDAT	0x560000F4	0x0	W	R/W	Port L data
GPLUDP	0x560000F8	0x15555555	W	R/W	Pull-up/down control L
GPLSEL	0x560000FC	0x0	W	R/W	Selects the function of port L
GPMCON	0x56000100	0xA	W	R/W	Port M control
GPMDAT	0x56000104	0x0	R	R	Port M data
GPMUDDP	0x56000108	0x0	W	R/W	Pull-up/down control M
MISCCR	0x56000080	0xD0010020	W	R/W	Miscellaneous control
DCLKCON	0x56000084	0x0	W	R/W	DCLK0/1 control
EXTINT0	0x56000088	0x000000	W	R/W	External interrupt control register 0
EXTINT1	0x5600008C	0x000000	W	R/W	External interrupt control register 1

Register Name	Address	Reset Value	Acc. Unit	Read/Write	Function
EXTINT2	0x56000090	0x000000	W	R/W	External interrupt control register 2
EINTFLT2	0x5600009c	0x000000	W	R/W	External interrupt control register 2
EINTFLT3	0x560000a0	0x000000	W	R/W	External interrupt control register 3
EINTMASK	0x560000a4	0x00FFFFFF0	W	R/W	External interrupt mask register
EINTPEND	0x560000a8	0x00	W	R/W	External interrupt pending register
GSTATUS0	0x560000ac	-	W	R	External pin status
GSTATUS1	0x560000b0	0x32440001	W	R	Chip ID
DSC0	0x560000c0	0x2AAAAAAAA	W	R/W	Strength control register 0
DSC1	0x560000c4	0xAAAAAAAA	W	R/W	Strength control register 1
DSC2	0x560000c8	0xAAAAAAAA	W	R/W	Strength control register 2
DSC3	0x56000010	0x2AA	W	R/W	Strength control register 3
PDDMCON	0x56000114	0x00411540	W	R/W	Memory I/F control register
PDSMCON	0x56000118	0x05451500	W	R/W	Memory I/F control register
RTC					
RTCCON	0x57000040	0x00	HW	R/W	RTC control
TICNT0	0x57000044	0x0	B	R/W	Tick time count register 0
TICNT1	0x57000048	0x0	B	R/W	Tick time count register 1
TICNT2	0x5700004C	0x0	W	R/W	Tick time count register 2
RTCALM	0x57000050	0x0	B	R/W	RTC alarm control
ALMSEC	0x57000054	0x0	B	R/W	Alarm second
ALMMIN	0x57000058	0x00	B	R/W	Alarm minute
ALMHOUR	0x5700005C	0x0	B	R/W	Alarm hour
ALMDATE	0x57000060	0x01	B	R/W	Alarm day
ALMMON	0x57000064	0x01	B	R/W	Alarm month
ALMYEAR	0x57000068	0x0	B	R/W	Alarm year
BCDSEC	0x57000070		B	R/W	BCD second
BCDMIN	0x57000074		B	R/W	BCD minute
BCDHOUR	0x57000078		B	R/W	BCD hour
BCDDATE	0x5700007C		B	R/W	BCD day
BCDDAY	0x57000080		B	R/W	BCD date
BCDMON	0x57000084		B	R/W	BCD month
BCDYEAR	0x57000088		B	R/W	BCD year
TICKCNT	0x57000090	0x0	W	R	Internal tick time counter
A/D Converter					
ADCCON	0x58000000		W	R/W	ADC control
ADCTSC	0x58000004				ADC touch screen control
ADCDLY	0x58000008				ADC start or interval delay

Register Name	Address	Reset Value	Acc. Unit	Read/Write	Function
ADCDAT0	0x5800000C			R	ADC conversion data
ADCDAT1	0x58000010				ADC conversion data
ADCUPDN	0x58000014			R/W	Stylus up or down interrupt status
ADCMUX	0x58000018			R/W	Analog input channel select
HSSPI(SPI Channel 0)					
CH_CFG	0x52000000	0x40		R/W	SPI configuration register
Clk_CFG	0x52000004	0x0		R/W	Clock configuration register
MODE_CFG	0x52000008	0x0		R/W	SPI FIFO control register
Slave_slection_reg	0x5200000C	0x1		R/W	Slave selection signal
SPI_INT_EN	0x52000010	0x0		R/W	SPI Interrupt Enable register
SPI_STATUS	0x52000014	0x0		R	SPI status register
SPI_TX_DATA	0x52000018	0x0		W	SPI TX DATA register
SPI_RX_DATA	0x5200001C	0x0		R	SPI RX DATA register
Packet_Count_reg	0x52000020	0x0		R/W	Count how many data master gets
Pending_clr_reg	0x52000024	0x0		R/W	Pending clear register
SWAP_CFG	0x52000028	0x0		R/W	SWAP config register
FB_Clk_sel	0x5200002C	0x3		R/W	Feedback clock selecting register.
HSMMC Channel 0					
SYSAD	0x4AC00000	0x00000000	W	R/W	SDI control register
BLKSIZE	0x4AC00004	0x00000000	HW	R/W	Host DMA Buffer Boundary and Transfer Block Size Register
BLKCNT	0x4AC00006	0x00000000	HW	R/W	Blocks Count For Current Transfer
ARGUMENT	0x4AC00008	0x00000000	HW	R/W	Command Argument Register
TRNMOD	0x4AC0000C	0x00000000	HW	R/W	Transfer Mode Setting Register
CMDREG	0x4AC0000E	0x00000000	HW	R/W	Command Register
RSPREG0	0x4AC00010	0x00000000	W	ROC	Response Register 0
RSPREG1	0x4AC00014	0x00000000	W	ROC	Response Register 1
RSPREG2	0x4AC00018	0x00000000	W	ROC	Response Register 2
RSPREG3	0x4AC0001C	0x00000000	W	ROC	Response Register 3
BDATA	0x4AC00020	Not fixed	W	ROC	Buffer Data Register
PRNSTS	0x4AC00024	0x00000000	W	ROC	Present State Register
HOSTCTL	0x4AC00028	0x00000000	B	R/W	Present State Register
PWRCON	0x4AC00029	0x00000000	B	R/W	Present State Register
BLKGAP	0x4AC0002A	0x00000000	B	R/W	Block Gap Control Register
WAKCON	0x4AC0002B	0x00000000	B	R/W	Wakeup Control Register
CLKCON	0x4AC0002C	0x00000000	HW	R/W	Command Register
TIMEOUTCON	0x4AC0002E	0x00000000	B	R/W	Timeout Control Register

Register Name	Address	Reset Value	Acc. Unit	Read/Write	Function
SWRST	0x4AC0002F	0x00000000	B	R/W	Software Reset Register
NORINTSTS	0x4AC00030	0x00000000	HW	ROC/ RW1C	Normal Interrupt Status Register
ERRINTSTS	0x4AC00032	0x00000000	HW	ROC/ RW1C	Error Interrupt Status Register
NORINTSTSEN	0x4AC00034	0x00000000	HW	R/W	Normal Interrupt Status Enable Register
ERRINTSTSEN	0x4AC00036	0x00000000	HW	R/W	Error Interrupt Status Enable Register
NORINTSIGEN	0x4AC00038	0x00000000	HW	R/W	Normal Interrupt Signal Enable Register
ERRINTSIGEN	0x4AC0003A	0x00000000	HW	R/W	Error Interrupt Signal Enable Register
ACMD12ERRSTS	0x4AC0003C	0x00000000	HW	ROC	Auto CMD12 Error Status Register
CAPAREG	0x4AC00040	0x05E80080	W	HWInit	Capabilities Register
MAXCURR	0x4AC00048	0x00000000	W	HWInit	Maximum Current Capabilities Register
FEAER	0x4AC00050	0x00000000	HW	WO	Force Event Auto CMD12 Error Interrupt Register Error Interrupt
FEERR	0x4AC00052	0x00000000	HW	WO	Force Event Error Interrupt Register Error Interrupt
ADMAERR	0x4AC00054	0x00000000	W	R/W	ADMA Error Status Register
ADMASYSADDR	0x4AC00058	0x00000000	W	R/W	ADMA System Address Register
CONTROL2	0x4AC00080	0x00000000	W	R/W	Control register 2
CONTROL3	0x4AC00084	0x7F5F3F1F	W	R/W	FIFO Interrupt Control (Control Register 3)
DEBUG	0x4AC00088	Not fixed	W	R/W	Debug register
CONTROL4	0x4AC0008C	0x00000000	W	R/W	
HCVAR	0x4AC000FE	0x00000401	HW	HWInit	Host Controller Version Register
HSMC Channel 1					
SYSAD	0x4A800000	0x00000000	W	R/W	SDI control register
BLKSIZE	0x4A800004	0x00000000	HW	R/W	Host DMA Buffer Boundary and Transfer Block Size Register
BLKCNT	0x4A800006	0x00000000	HW	R/W	Blocks Count For Current Transfer
ARGUMENT	0x4A800008	0x00000000	HW	R/W	Command Argument Register
TRNMOD	0x4A80000C	0x00000000	HW	R/W	Transfer Mode Setting Register
CMDREG	0x4A80000E	0x00000000	HW	R/W	Command Register
RSPREG0	0x4A800010	0x00000000	W	ROC	Response Register 0
RSPREG1	0x4A800014	0x00000000	W	ROC	Response Register 1
RSPREG2	0x4A800018	0x00000000	W	ROC	Response Register 2
RSPREG3	0x4A80001C	0x00000000	W	ROC	Response Register 3
BDATA	0x4A800020	Not fixed	W	ROC	Buffer Data Register
PRNSTS	0x4A800024	0x00000000	W	ROC	Present State Register
HOSTCTL	0x4A800028	0x00000000	B	R/W	Present State Register

Register Name	Address	Reset Value	Acc. Unit	Read/Write	Function
PWRCON	0x4A800029	0x00000000	B	R/W	Present State Register
BLKGAP	0x4A80002A	0x00000000	B	R/W	Block Gap Control Register
WAKCON	0x4A80002B	0x00000000	B	R/W	Wakeup Control Register
CLKCON	0x4A80002C	0x00000000	HW	R/W	Command Register
TIMEOUTCON	0x4A80002E	0x00000000	B	R/W	Timeout Control Register
SWRST	0x4A80002F	0x00000000	B	R/W	Software Reset Register
NORINTSTS	0x4A800030	0x00000000	HW	ROC/ RW1C	Normal Interrupt Status Register
ERRINTSTS	0x4A800032	0x00000000	HW	ROC/ RW1C	Error Interrupt Status Register
NORINTSTSEN	0x4A800034	0x00000000	HW	R/W	Normal Interrupt Status Enable Register
ERRINTSTSEN	0x4A800036	0x00000000	HW	R/W	Error Interrupt Status Enable Register
NORINTSIGEN	0x4A800038	0x00000000	HW	R/W	Normal Interrupt Signal Enable Register
ERRINTSIGEN	0x4A80003A	0x00000000	HW	R/W	Error Interrupt Signal Enable Register
ACMD12ERRSTS	0x4A80003C	0x00000000	HW	ROC	Auto CMD12 Error Status Register
CAPAREG	0x4A800040	0x05E80080	W	HWInit	Capabilities Register
MAXCURR	0x4A800048	0x00000000	W	HWInit	Maximum Current Capabilities Register
FEAER	0x4A800050	0x00000000	HW	WO	Force Event Auto CMD12 Error Interrupt Register Error Interrupt
FEERR	0x4A800052	0x00000000	HW	WO	Force Event Error Interrupt Register Error Interrupt
ADMAERR	0x4A800054	0x00000000	W	R/W	ADMA Error Status Register
ADMASYSADDR	0x4A800058	0x00000000	W	R/W	ADMA System Address Register
CONTROL2	0x4A800080	0x00000000	W	R/W	Control register 2
CONTROL3	0x4A800084	0x7F5F3F1F	W	R/W	FIFO Interrupt Control (Control Register 3)
DEBUG	0x4A800088	Not fixed	W	R/W	Debug register
CONTROL4	0x4A80008C	0x00000000	W	R/W	
HCOVER	0x4A8000FE	0x00000401	HW	HWInit	Host Controller Version Register
AC97 Audio-CODEC Interface					
AC_GLBCTRL	0x5B000000	0x0	W	R/W	AC97 global control register
AC_GLBSTAT	0x5B000004	0x1		R	AC97 global status register
AC_CODEC_CMD	0x5B000008	0x0		R/W	AC97 codec command register
AC_CODEC_STAT	0x5B00000C	0x0		R	AC97 codec status register
AC_PCMADDR	0x5B000010	0x0		R	AC97 PCM out/in channel FIFO address register
AC_MICADDR	0x5B000014	0x0		R	AC97 mic in channel FIFO address register
AC_PCMDATA	0x5B000018	0x0		R/W	AC97 PCM out/in channel FIFO data register

Register Name	Address	Reset Value	Acc. Unit	Read/Write	Function
AC_MICDATA	0x5B00001C	0x0		R	AC97 MIC in channel FIFO data register
PCM Audio Interface					
PCM_CTL0	0x5C000000	0x0	W	R/W	PCM0 Main Control
PCM_CLKCTL0	0x5C000004	0x0		R/W	PCM0 Clock and Shift control
PCM_TXFIFO0	0x5C000008	0x0		R/W	PCM0 TxFIFO write port
PCM_RXFIFO0	0x5C00000C	0x0		R/W	PCM0 RxFIFO read port
PCM_IRQ_CTL0	0x5C000010	0x0		R/W	PCM0 Interrupt Control
PCM_IRQ_STAT0	0x5C000014	0x0		R	PCM0 Interrupt Status
PCM_FIFO_STAT0	0x5C000018	0x0		R	PCM0 Tx Default Value
PCM_CLRINT0	0x5C000020	0x0		W	PCM0 INTERRUPT CLEAR
2D					
CONTROL_REG	0x4D408000	0x0000_0000	W	W	Control register.
INTEN_REG	0x4D408004	0x0000_0000		R/W	Interrupt Enable register.
FIFO_INTC_REG	0x4D408008	0x0000_0018		R/W	Interrupt Control register.
INTC_PEND_REG	0x4D40800C	0x0000_0000		R/W	Interrupt Control Pending register.
FIFO_STAT_REG	0x4D408010	0x0000_0600		R	Command FIFO Status reg
CMD0_REG	0x4D408100	-		W	Command register for Line/Point drawing.
CMD1_REG	0x4D408104	-		W	Command register for BitBLT.
CMD2_REG	0x4D408108	-		W	Command register for Host to Screen Bitblt transfer start.
CMD3_REG	0x4D40810C	-		W	Command register for Host to Screen Bitblt transfer continue.
CMD4_REG	0x4D408110	-		W	Command register for Color Expansion. (Host to Screen, Font Start)
CMD5_REG	0x4D408114	-		W	Command register for Color Expansion. (Host to Screen, Font Continue)
CMD6_REG	0x4D408118	-		W	Reserved
CMD7_REG	0x4D40811C	-		W	Command register for Color Expansion. (Memory to Screen)
SRC_RES_REG	0x4D408200	0x0000_0000		R/W	Source Image Resolution
SRC_HORI_RES_REG	0x4D408204	0x0000_0000		R/W	Source Image Horizontal Resolution
SRC_VERT_RES_REG	0x4D408208	0x0000_0000		R/W	Source Image Vertical Resolution
SC_RES_REG	0x4D408210	0x0000_0000		R/W	Screen Resolution
SC_HORI_RES_REG	0x4D408214	0x0000_0000		R/W	Screen Horizontal Resolution
SC_VERT_RES_REG	0x4D408218	0x0000_0000		R/W	Screen Vertical Resolution
CW_LT_REG	0x4D408200	0x0000_0000		R/W	LeftTop coordinates of Clip Window.
CW_LT_X_REG	0x4D408204	0x0000_0000		R/W	Left X coordinate of Clip Window.
CW_LT_Y_REG	0x4D408228	0x0000_0000		R/W	Top Y coordinate of Clip Window.

Register Name	Address	Reset Value	Acc. Unit	Read/Write	Function
CW_RB_REG	0x4D408230	0x0000_0000		R/W	RightBottom coordinate of Clip Window.
CW_RB_X_REG	0x4D408234	0x0000_0000		R/W	Right X coordinate of Clip Window.
CW_RB_Y_REG	0x4D408238	0x0000_0000		R/W	Bottom Y coordinate of Clip Window.
COORD0_REG	0x4D408300	0x0000_0000		R/W	Coordinates 0 register.
COORD0_X_REG	0x4D408304	0x0000_0000		R/W	X coordinate of Coordinates 0.
COORD0_Y_REG	0x4D408308	0x0000_0000		R/W	Y coordinate of Coordinates 0.
COORD1_REG	0x4D408310	0x0000_0000		R/W	Coordinates 1 register.
COORD1_X_REG	0x4D408314	0x0000_0000		R/W	X coordinate of Coordinates 1.
COORD1_Y_REG	0x4D408318	0x0000_0000		R/W	Y coordinate of Coordinates 1.
COORD2_REG	0x4D408320	0x0000_0000		R/W	Coordinates 2 register.
COORD2_X_REG	0x4D408324	0x0000_0000		R/W	X coordinate of Coordinates 2.
COORD2_Y_REG	0x4D408328	0x0000_0000		R/W	Y coordinate of Coordinates 2.
COORD3_REG	0x4D408330	0x0000_0000		R/W	Coordinates 3 register.
COORD3_X_REG	0x4D408334	0x0000_0000		R/W	X coordinate of Coordinates 3.
COORD3_Y_REG	0x4D408338	0x0000_0000		R/W	Y coordinate of Coordinates 3.
ROT_OC_REG	0x4D408340	0x0000_0000		R/W	Rotation Origin Coordinates.
ROT_OC_X_REG	0x4D408344	0x0000_0000		R/W	X coordinate of Rotation Origin Coordinates.
ROT_OC_Y_REG	0x4D408348	0x0000_0000		R/W	Y coordinate of Rotation Origin Coordinates.
ROTATE_REG	0x4D40834C	0x0000_0001		R/W	Rotation Mode register.
X_INCR_REG	0x4D408400	0x0000_0000		R/W	X Increment register.
Y_INCR_REG	0x4D408404	0x0000_0000		R/W	Y Increment register.
ROP_REG	0x4D408410	0x0000_0000		R/W	Raster Operation register.
ALPHA_REG	0x4D408420	0x0000_0000		R/W	Alpha value, Fading offset.
FG_COLOR_REG	0x4D408500	0x0000_0000		R/W	Foreground Color / Alpha register.
BG_COLOR_REG	0x4D408504	0x0000_0000		R/W	Background Color register
BS_COLOR_REG	0x4D408508	0x0000_0000		R/W	Blue Screen Color register
SRC_COLOR_MODE_REG	0x4D408510	0x0000_0000		R/W	Src Image Color Mode register.
DEST_COLOR_MODE_REG	0x4D408514	0x0000_0000		R/W	Dest Image Color Mode register
PATTERN_REG[0:31]	0x4D408600 ~ 0x4D80867C	0x0000_0000		R/W	Pattern memory.
PATOFF_REG	0x4D408700	0x0000_0000		R/W	Pattern Offset XY register.
PATOFF_X_REG	0x4D408704	0x0000_0000		R/W	Pattern Offset X register.
PATOFF_Y_REG	0x4D408708	0x0000_0000		R/W	Pattern Offset Y register.
STENCIL_CNTL_REG	0x4D408720	0x0000_0000		R/W	Stencil control register
STENCIL_DR_MIN_REG	0x4D408724	0x0000_0000		W	Stencil decision reference MIN register
STENCIL_DR_MAX_REG	0x4D408728	0xFFFF_FFFF		W	Stencil decision reference MAX register

Register Name	Address	Reset Value	Acc. Unit	Read/Write	Function
SRC_BASE_ADDR_REG	0x4D408730	0x0000_0000		R/W	Source Image Base Address register
DEST_BASE_ADDR_REG	0x4D408734	0x0000_0000		R/W	Dest Image Base Address register (in most cases, frame buffer address)

Cautions on S3C2416X Special Registers

1. S3C2416X does not support the big endian mode.
2. The special registers have to be accessed for each recommended access unit.
3. All registers except ADC registers, RTC registers and UART registers must be read/write in word unit (32-bit).
4. Make sure that the ADC registers, RTC registers and UART registers be read/write by the specified access unit and the specified address.
5. W : 32-bit register, which must be accessed by LDR/STR or int type pointer (int *).
HW : 16-bit register, which must be accessed by LDRH/STRH or short int type pointer (short int *).
B : 8-bit register, which must be accessed by LDRB/STRB or char type pointer (char int *).

2 SYSTEM CONTROLLER

1 OVERVIEW

The system controller consists of three parts; reset control, system clock control, and system power-management control. The system clock control logic in S3C2461 can generate the required system clock signals which are the inputs of ARM926EJ, several AHB blocks, and APB blocks. There are two PLLs in S3C2416 to generate internal clocks. One is for general functional blocks, which include ARM, AHB, and APB. The other is for the special functional clocks which are the USB, I2S. Software program control the operating frequency of the PLLs, internal clock sources and enabled or disabled the clocks to reduce the power consumption.

S3C2416 has various power-down modes to keep optimal power consumption for a given task. The power-down modes consists of four modes; NORMAL mode, IDLE mode, STOP mode, and SLEEP mode. In NORMAL mode, the input clock of each block is enabled or disabled according to the software to eliminate the power consumption of unused blocks for a certain application. For example, if an UART is not needed, the software can disable the input clock independently. The major power dissipation of S3C2416 is due to ARM core, since the operating speed is relative higher than that of the other blocks. Typically, the operating frequency of the ARM core is 400MHz, while the AHB blocks and the APB blocks operate on 133MHz and 66MHz, respectively. Thus, the power control of the ARM core is major issue to reduce the overall power dissipation in S3C2416, and IDLE mode is supported for this purpose. In IDLE mode, the ARM core is not operated until the external interrupts or internal interrupts. The STOP mode freezes all clocks to all peripherals as well as the ARM core by disabling PLLs. The power consumption is only due to the leakage current and the minimized alive block in S3C2416. SLEEP mode is intended to disconnect the internal power. So, the power consumption due to the ARM core and the internal logic except the wake-up logic will be nearly zero in the SLEEP mode. In order to use the SLEEP mode two independent power sources are required. One of the two power sources supplies the power for the wake-up logic. The other one supplies the normal functional blocks including the ARM core. It should be controlled in order to turn ON/OFF with a special pin in S3C2416. The detailed description of the power-saving modes such as the entering sequence to the specific power-down mode or the wake-up sequence from a power-down mode is given in the following Power Management section.

2 FEATURE

- Include two on-chip PLLs called main PLL(MPLL), extra PLL(EPLL)
- MPLL generates the system reference clock
- EPLL generates the clocks for the special functional blocks
- Independent clock ON/OFF control to reduce power consumption
- Support three power-down modes, IDLE, STOP, and SLEEP, to optimize the power dissipation
- Wake-up by one of external Interrupt, RTC alarm, Tick interrupt and BATT_FLT.(Stop and Sleep mode)
- Control internal bus arbitration priority

3 BLOCK DIAGRAM

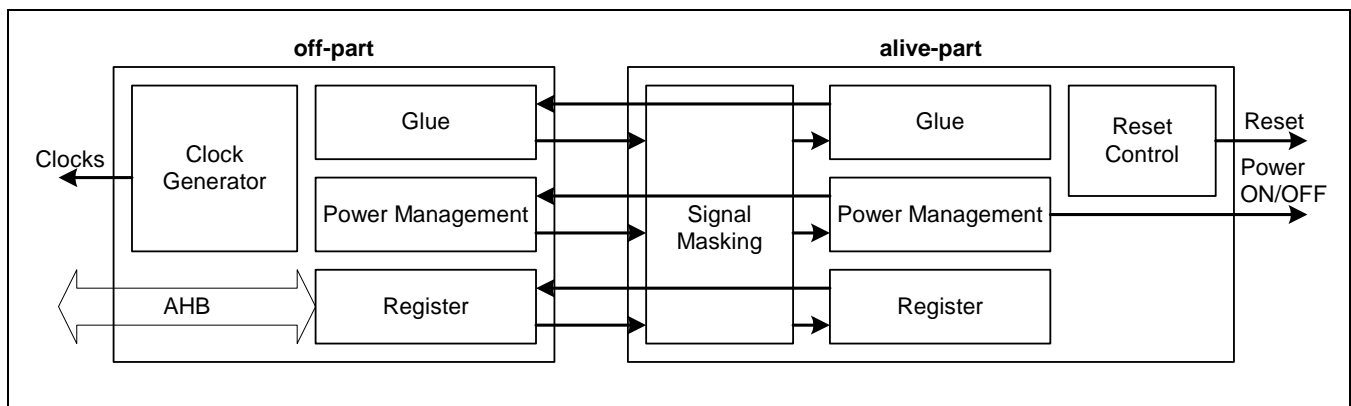


Figure 2-1. System Controller Block Diagram

Figure 2-1 shows the system controller block diagram. The system controller is divided into two blocks, which are the OFF block and the ON block. Since the system controller must be alive when the external power supply is disabled. The ALIVE-part is supplied by an auxiliary power source and waits until external/internal interrupts. However, the OFF-part is disabled when the power-down mode is SLEEP. The clock generator makes all internal clocks, which include ARMCLK for the ARM core, HCLK for the AHB blocks, PCLK for the APB block, and other special clocks. The special functional registers (SFR) are located at the register blocks, and their values are configured through AHB interface. If a software want to change into a power-down mode, then the power management blocks detect the values within the SFR and change the mode. In addition, they assert the external power ON/OFF signal if required. All reset signals are generated at the reset control block.

The detailed explanations for each block will be described in the following sections.

4 FUNCTIONAL DESCRIPTIONS

The system controller for S3C2416 has three functions, which include the reset management, the clock generation, and the power management. In this section, the behavior will be described.

4.1 RESET MANAGEMENT AND TYPES

S3C2416 has four types of resets and reset controller in system controller can place the system into the predefined states with one of the following four resets.

- **Hardware Reset** – It is generated when nRESET pin is asserted. It is an uncompromised, unmaskable, and complete reset, which is used when you need no information in system any more.
- **Watchdog Reset** – The watchdog timer monitors the device state and generates the watchdog reset when the state is abnormal.
- **Software Reset** – Software can initialize the internal state by writing the special control register (SWRST).
- **Wakeup Reset** – When the system wakes up from SLEEP mode, it generates reset signals. And When the system wakes up from Deep-STOP mode, it generates ARM reset only.

4.2 HARDWARE RESET

When S3C2416 is power-ON, the external device must assert nRESET to initialize internal states.

Hardware reset is invoked when the nRESET pin is asserted and all units in the system (except RTC) are initialized to known states. During the hardware reset, the following actions will occur:

- All internal registers and ARM926EJ core goes into their pre-defined initial state.
- All pins get their reset state, and BATT_FLT pin is ignored.
- The nRSTOUT pin is asserted while the reset is progressed.

When the unmaskable nRESET pin is asserted as low, the internal hardware reset signal is generated. Upon assertion of nRESET, S3C2416 enters reset state regardless of the previous state. To enter hardware reset state, nRESET must be held long enough to allow internal stabilization and propagation of the reset state.

Caution: An external power source, regulator, for S3C2416 must be stable prior to the deassertion of nRESET. Otherwise, it damages to S3C2416 and its operation will not be guaranteed.

Figure 2-2 shows the clock behavior during the power-on reset sequence. The crystal oscillator begins oscillation within several milliseconds after the power source supplies enough power-level to S3C2416. Initially, two internal PLLs (MPLL and EPLL) stop. The nRESET pin should be released after the fully settle-down of the power supply-level. S3C2416 requires a hazard-free system clock (SYSCLK, ARMCLK, HCLK, and PCLK) to operate properly when the system reset is released. Since the PLL does not work initially, the PLL input clock (F_{IN}) is directly fed to SYSCLK instead of the PLL output clock (F_{OUT}). Software must configure MPLLCON and EPLLCON register to use each PLL. The PLL begins the lockup sequence toward the new frequency only after the S/W configures the PLL with a new frequency-value. The PLL output is immediately fed to SYSCLK after lock time.

You should be aware that the crystal oscillator settle-down time is not explicitly added by the hardware during the power-up sequence and the crystal oscillation must be settle-down during this period. However, S3C2416 will explicitly add the crystal oscillator settle-down time (OSCWAIT) when it wakes up from the STOP mode.

The EPLL output clock is directly fed to some special clocks for TFT Controller, I2S, HS-MMC, USB host and UART. Since the EPLL input clock is initially fed to the input clocks for them, software must configure EPLLCON register to use the EPLL.

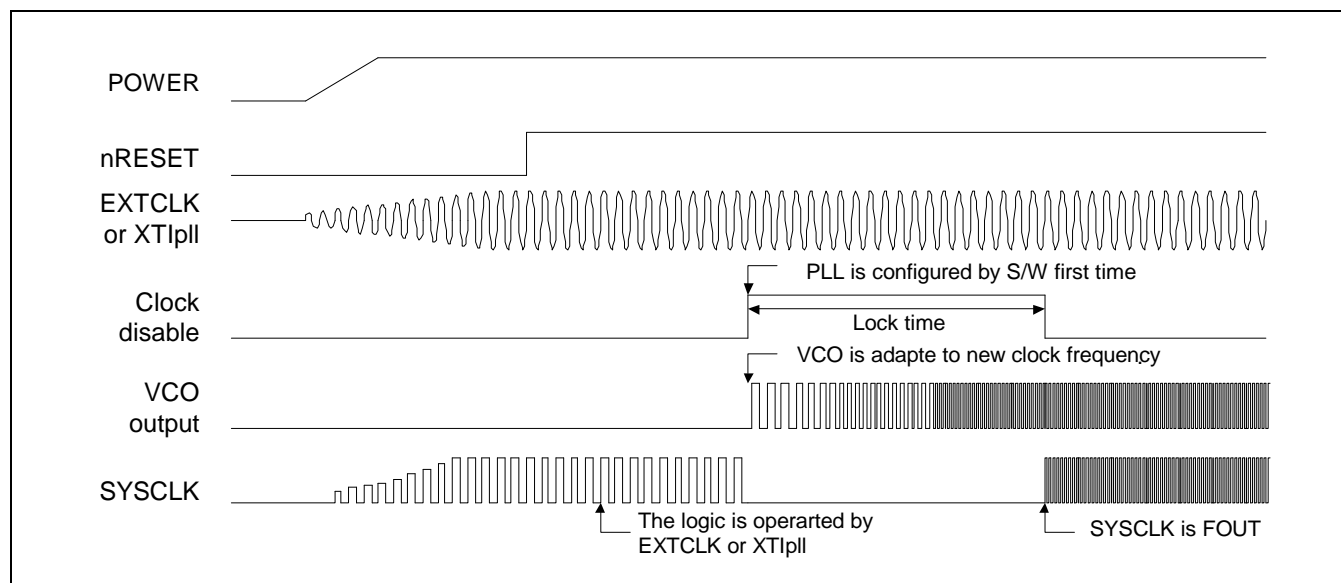


Figure 2-2. Power-On Reset Sequence

4.3 WATCHDOG RESET

Watchdog reset is invoked when software fails to prevent the watchdog timer from timing out.

During the watchdog reset, the following actions occur :

- All units(except some blocks listed in table 2-1) go into their pre-defined reset state.
- All pins get their reset state, and BATT_FLT pin is ignored.
- The nRSTOUT pin is asserted during watchdog reset.

Watchdog reset can be activated in normal and idle mode because watchdog timer can expire with clock.

Watchdog reset is invoked when watchdog timer and reset are enabled ($WTCON[5] = 1$, $WTCON[0]=1$) and watchdog timer is expired. Watchdog reset is invoked then, the following sequence occurs. :

1. Watchdog reset source asserts.
2. Internal reset signals and nRSTOUT are asserted and reset counter is activated.
3. Reset counter is expired then, internal reset signals and nRSTOUT are deasserted.

4.4 SOFTWARE RESET

Software can initialize the device state itself when it writes "0x533C_2416" to SWRST register.

During the software reset, the following actions occur :

- All units(except some blocks listed in table 2-1) go into their pre-defined reset state.
- All pins get their reset state, and BATT_FLT pin is ignored.
- The nRSTOUT pin is asserted during software reset.

Software reset is invoked then, the following sequence occurs. :

1. User write "0x533C_2416" to SWRST register.
2. System controller request bus controller to finish current transactions.
3. Bus controller send acknowledge to system controller after completed bus transactions.
4. System controller request memory controller to enter into self refresh mode.
5. System controller wait for self refresh acknowledge from memory controller.
6. Internal reset signals and nRSTOUT are asserted and reset counter is activated.
7. Reset counter is expired then, internal reset signals and nRSTOUT are deasserted.

4.5 WAKEUP RESET

When S3C2416 is woken up from SLEEP mode by wakeup event, the wakeup reset is invoked. The detail description will be explained in the power management mode section.

Table 2-1 lists alive registers which are not influenced various reset sources except nRESET. With the exception of below registers (in table 2-1), All S3C2416's internal registers are reset by above-mentioned reset sources.

Table 2-1. Registers & GPIO Status in RESET (R: reset, S: sustain previous value)

Region	Registers	Software	Wakeup	Watchdog	nRESET
SYSCON	OSCSET , PWRCFG, RSTCON, RSTSTAT, WKUPSTAT, INFORM0, INFORM1, INFORM2, INFORM3	S	S	S	R
GPIO	GPFCON, GPFUDP, GPFDAT, GPGCON[7:0], GPGUDP, GPGDAT[7:0], EXTINT0 ~ EXTINT15	R	S	R	R

5 CLOCK MANAGEMENT

5.1 CLOCK GENERATION OVERVIEW

Figure 2-3 shows the block diagram of the clock generation module. The main clock source comes from an external crystal (XTI) or external clock (EXTCLK). EPLL's input clock is one of the XTI or EXTCLK. Clock selection can be done by configuring MUX selection signal. When both XTI and EXTCLK are running, GFM(Glitch Free Mux)'s output can be configured easily without generating glitch. But if you change or select EPLL input clock when either XTI or EXTCLK is running, disabled clock should be have logic LOW.

XTI clock source can be reference of PLL after oscillated at PAD. User can configure stabilization time by setting OSCSET register and ON/OFF when power-down mode by setting PWRCFG register. The clock generator consists of two PLLs (Phase-Locked-Loop) which generate the high-frequency clock signals required in S3C2416.

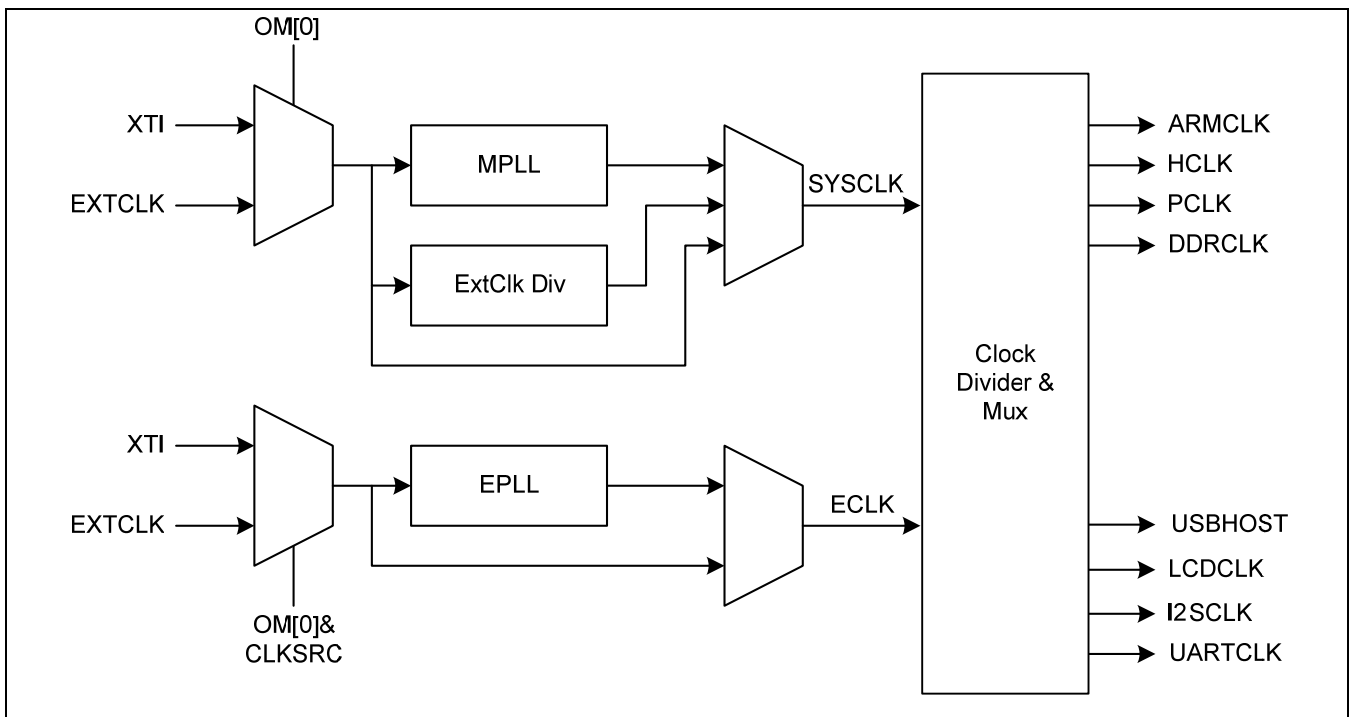


Figure 2-3. Clock Generator Block Diagram

5.2 CLOCK SOURCE SELECTION

Table 2-2 and 2-3 show the relationship between the combination of mode control pins OM[0] and the selection of source clock for S3C2416.

Table 2-2. Clock source selection for the main PLL and clock generation logic

OM[0]	MPLL Reference Clock (Main clock source)
0	XTI
1	EXTCLK

Table 2-3. Clock Source Selection for the EPLL

CLKSRC[8] (register)	CLKSRC[7] (register)	OM[0]	EPLL Reference Clock
0	X	0	XTI
0	X	1	EXTCLK
1	0	X	XTI
1	1	X	EXTCLK

Table 2-4. PLL & Clock Generator Condition

Loop filter capacitance	C_{LF}	MPLLAP : N/A
		EPLLAP : Typical 1.8nF 5%
Fin	-	MPLL: 10 – 30 MHz EPLL: 10 – 40 MHz
Fout	-	MPLL: 40 – 1600 MHz EPLL: 20 – 600 MHz
External capacitance used for X-tal	C_{EXT}	15 pF
Feedback Resistor used for X-tal	R_F	1MΩ

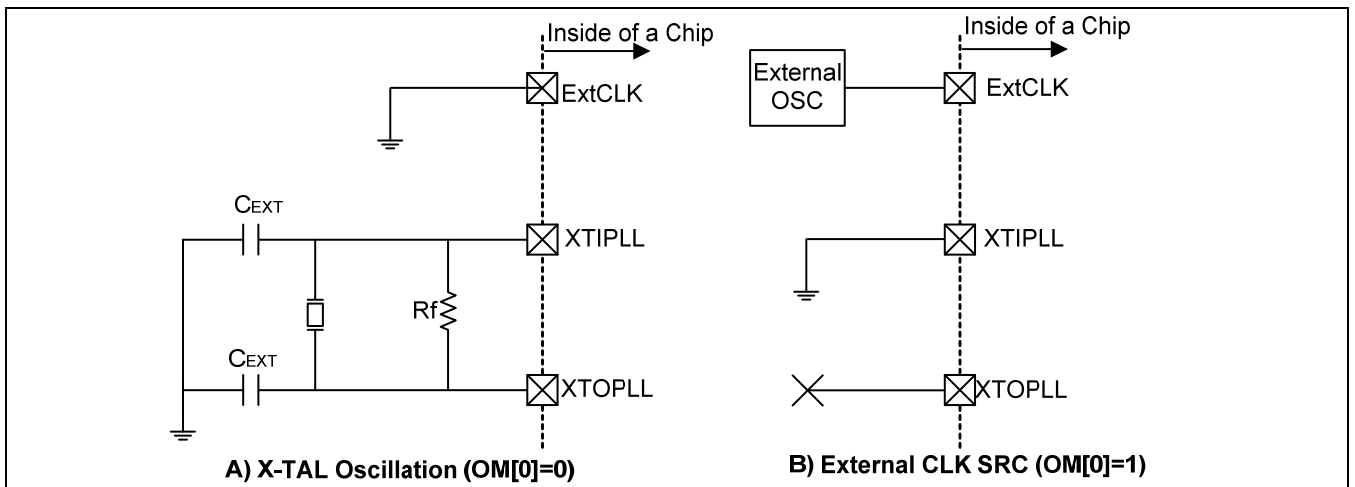


Figure 2-4. Main Oscillator Circuit Examples

5.3 PLL (PHASE-LOCKED-LOOP)

The PLL (Phase-Locked Loop) frequency synthesizer is constructed in CMOS on single monolithic structure. The PLL provides frequency multiplication capabilities.

MPLL generates the clock sources for ARMCLK, HCLK, PCLK, DDRCLK and SSMCCLK and EPLL generates clock sources for USBHOSTCLK and so forth.

The following sections describe the operation of the PLL, that includes the phase difference detector, charge pump, VCO (Voltage controlled oscillator), and loop filter.

Refer to MPLLCON and EPLLCON registers to change PLL output frequency.

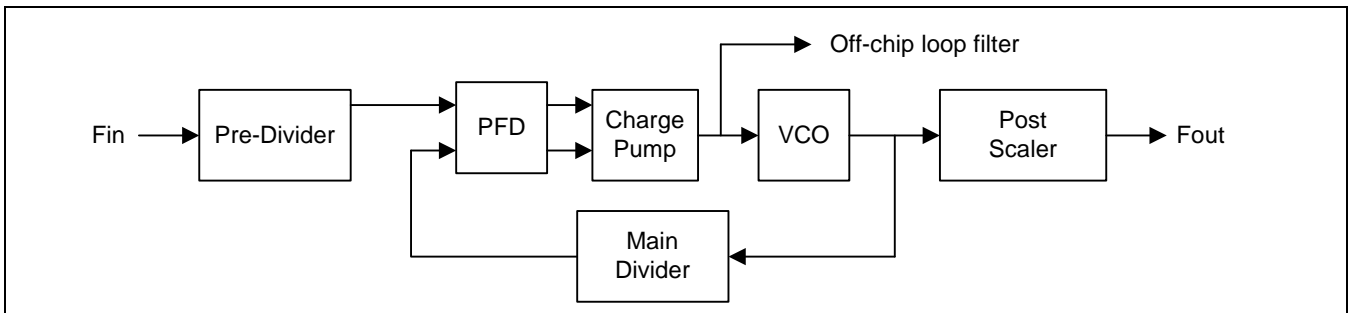


Figure 2-5. PLL(Phase-Locked Loop) Block Diagram

5.4 CHANGE PLL SETTINGS IN NORMAL OPERATION

During the operation of S3C2416 in NORMAL mode, if the user wants to change the frequency by writing the PMS value, the PLL lock time is automatically inserted. During the lock time, the clock is not supplied to the internal blocks in S3C2416. The timing diagram is as follow.

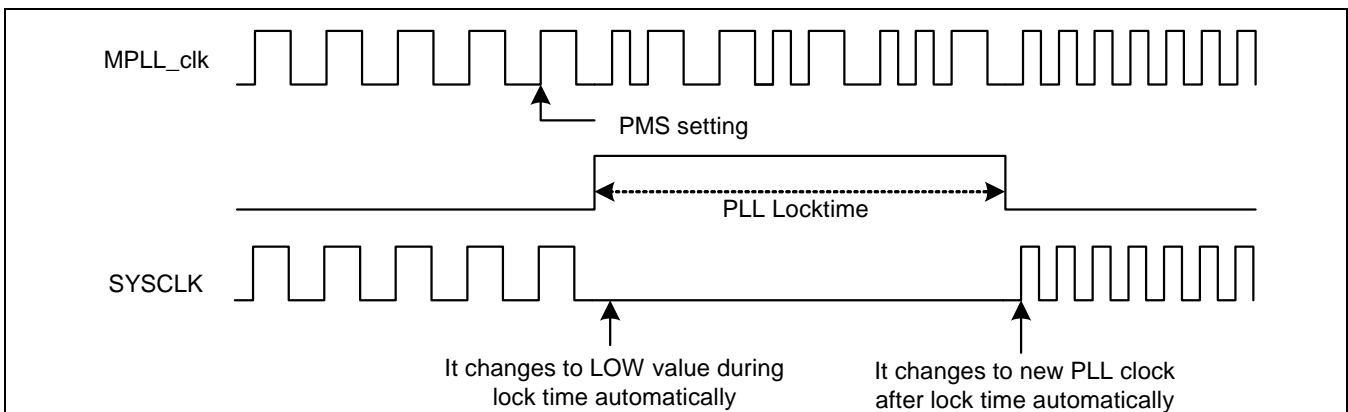


Figure 2-6. The Case that Changes Slow Clock by Setting PMS Value

5.5 SYSTEM CLOCK CONTROL

The ARMCLK is used for ARM926EJ core, the main CPU of S3C2416. The HCLK is the reference clock for internal AHB bus and peripherals such as the memory controller, the interrupt controller, LCD controller, the DMA, USB host block, System Controller, Power down controller and etc. The PCLK is used for internal APB bus and peripherals such as WDT, IIS, I2C, PWM timer, ADC, UART, GPIO, RTC and SPI etc. DDRCLK is the data strobe clock for mDDR/DDR2 memories. HCLKCON and PCLKCON registers are used for clock gating of HCLK, PCLK respectively. SCLKCON register is responsible for EPLLclk clock gating on related modules.

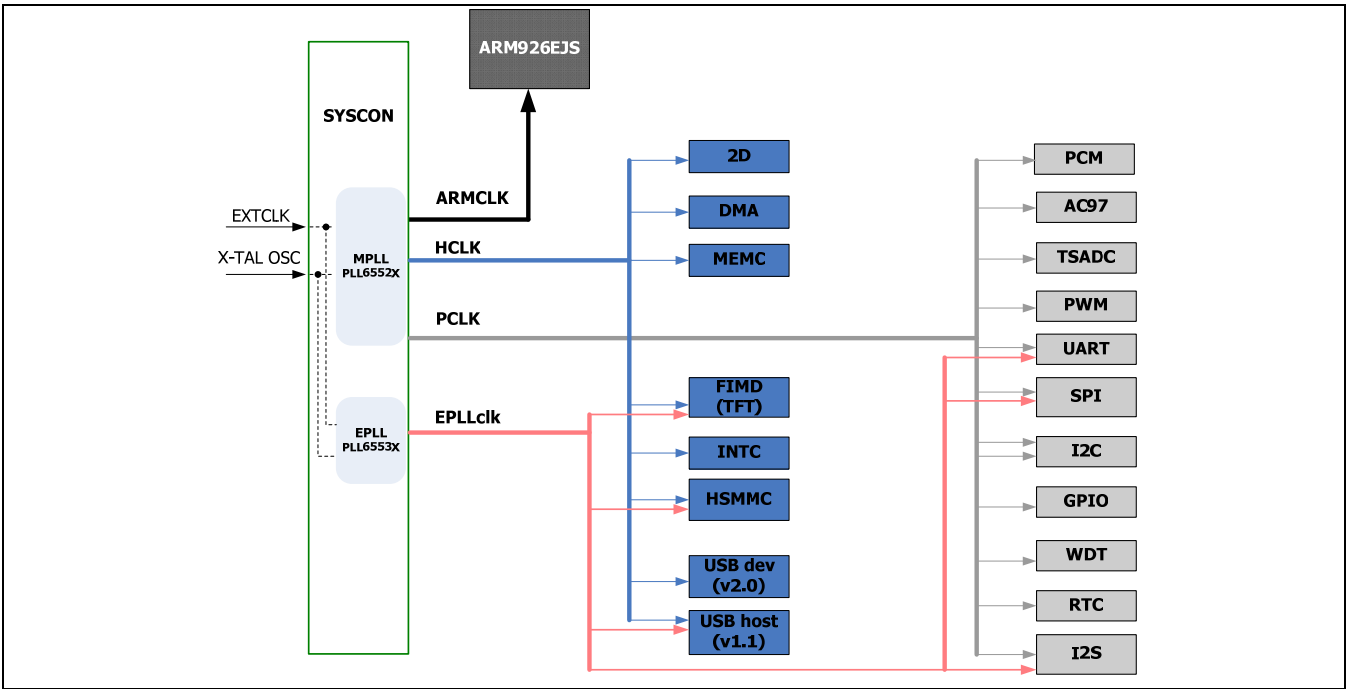


Figure 2-7. The Clock Distribution Block Diagram

Figure 2-8 shows MPLL Based clock domain.

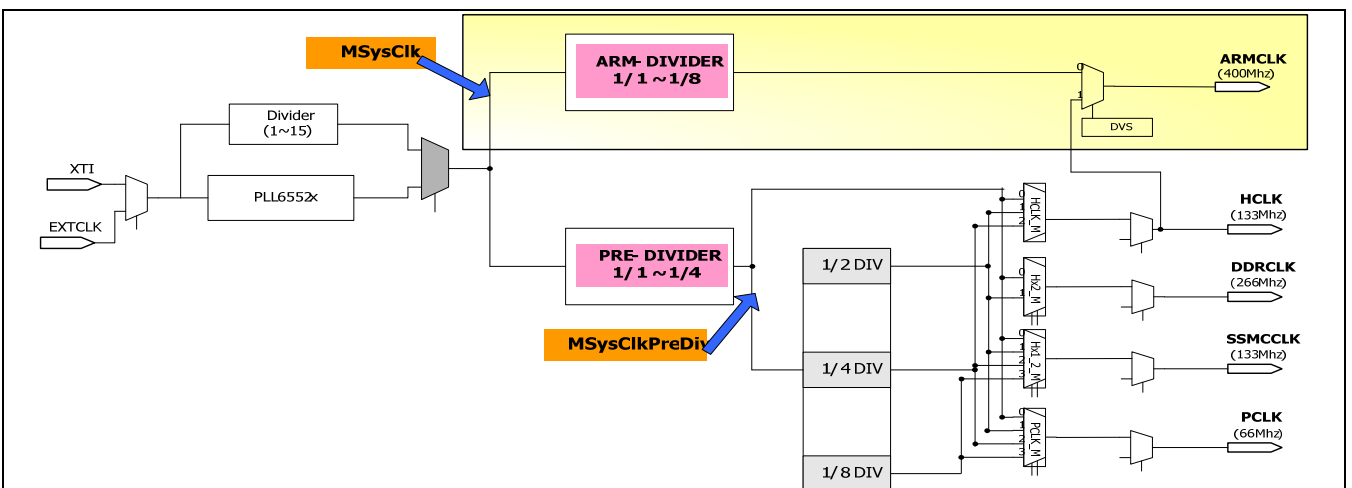


Figure 2-8. MPLL Based Clock Domain

5.6 ARM & BUS CLOCK DIVIDE RATIO

The MSysClk is the base clock for S3C2416 system clock, such as ARMCLK, HCLK, PCLK, DDRCLK, etc.

The Table 2-5 shows the clock division ratios between ARMCLK, HCLK and PCLK. This ratio is determined by ARMDIV, PREDIV, HCLKDIV and PCLKDIV bits of CLKDIV0 control register.

ARMCLK has to faster or equal with HCLK and synchronous. The Table 2-5 shows that DDRCLK, PCLK, ARMCLK divide ratio with regard HCLK ratio.

The fraction in the cell is ratio to MSysClk and the value in the round bracket means maximum frequency value.

Table 2-5. Clock Division Ratio of MPLL Region

MSysClk (800MHz)	HCLK (133MHz)	DDRCLK (266MHz)	PCLK, SSMC (133MHz)	ARMCLK (400MHz)
	1/1	1/1	1/1 or 1/2	1/1
	1/2	1/1	1/2 or 1/4	1/1 or 1/2
	1/3	1/1	1/3 or 1/6	1/1 or 1/3
	1/4	1/2	1/4 or 1/8	1/1 or 1/2 or 1/4
	1/6	1/3	1/6 or 1/12	1/1 or 1/2 or 1/3 or 1/6
	1/8	1/4	1/8 or 1/16	1/1 or 1/2 or 1/4 or 1/8
	1/12	1/6	1/12 or 1/24	1/1 or 1/2 or 1/3 or 1/4 or 1/6
	1/16	1/8	1/16 or 1/32	1/1 or 1/2 or 1/4 or 1/8

5.7 EXAMPLES FOR CONFIGURING CLOCK REGISTER TO PRODUCE SPECIFIC FREQUENCY OF AMBA CLOCKS.

When PLL output frequency = 800MHz

Target frequency

ARMCLK = 400MHz, HCLK = 133MHz, PCLK = 66MHz, DDRCLK = 266MHz
SSMCCLK = 66MHz

Register value

ARMDIV = 4'b0001, PREDIV = 2'b10, HCLKDIV = 2'b01, PCLKDIV = 1'b1
HALKHCLK = 1'b1

Figure 2-9 shows EPLL and special clocks for various peripherals

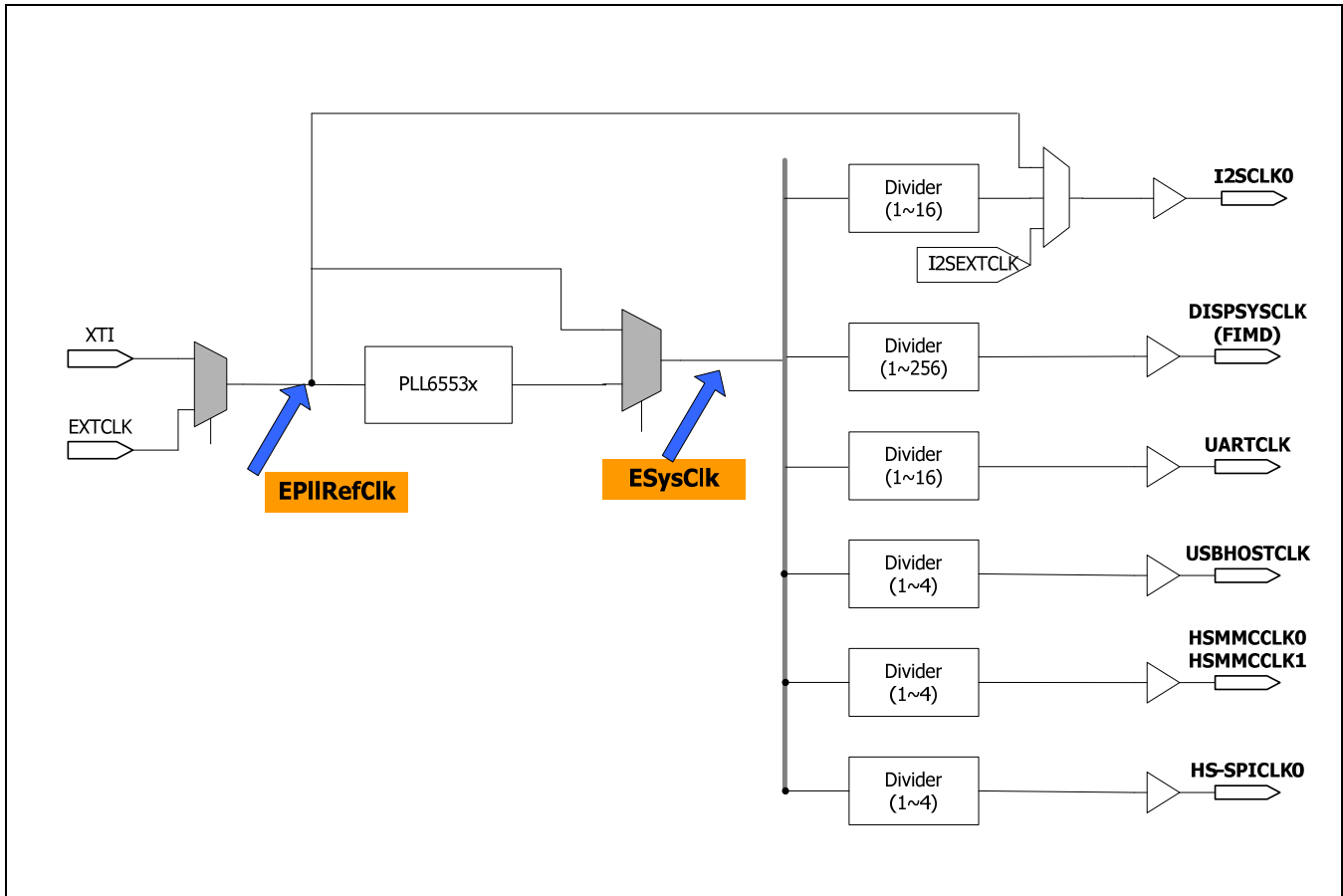


Figure 2-9. EPLL Based Clock Domain

5.8 ESYSCLK CONTROL

Clocks of the EPLL can be used for various peripherals. Each divider value is configured in CLKDIV1 register and all clocks are enabled or disabled by accessing SCLKCON register. According to USB host interface, If you want to get the clock with exact 50% duty cycle, then make EPLL generate 96MHz and divide the clock.

EPLL will be turned off during STOP and SLEEP mode automatically. Also, EPLL will be generated clock to ESYSCLK, after exiting STOP and SLEEP mode if corresponding bits are enabled in SCLKCON register.

Table 2-6. ESYSCLK Control

Condition	ESYSCLK state	EPLL state
After reset	EPLL reference clock	off
After configuring EPLL	During PLL lock time: LOW After PLL lock time: EPLL output	on

6 POWER MANAGEMENT

The power management block controls the system clocks by software for the reduction of power consumption in S3C2416. These schemes are related to PLL, clock control logic(ARMCLK, HCLK, PCLK) and wake-up signal. S3C2416 has four power-down modes. The following section describes each power management mode.

Related registers are PWRMODE, PWRCFG and WKUPSTAT.

6.1 POWER MODE STATE DIAGRAM

Figure 2-10 shows that Power Saving mode state and Entering or Exiting condition. In general, the entering conditions are set by the main CPU.

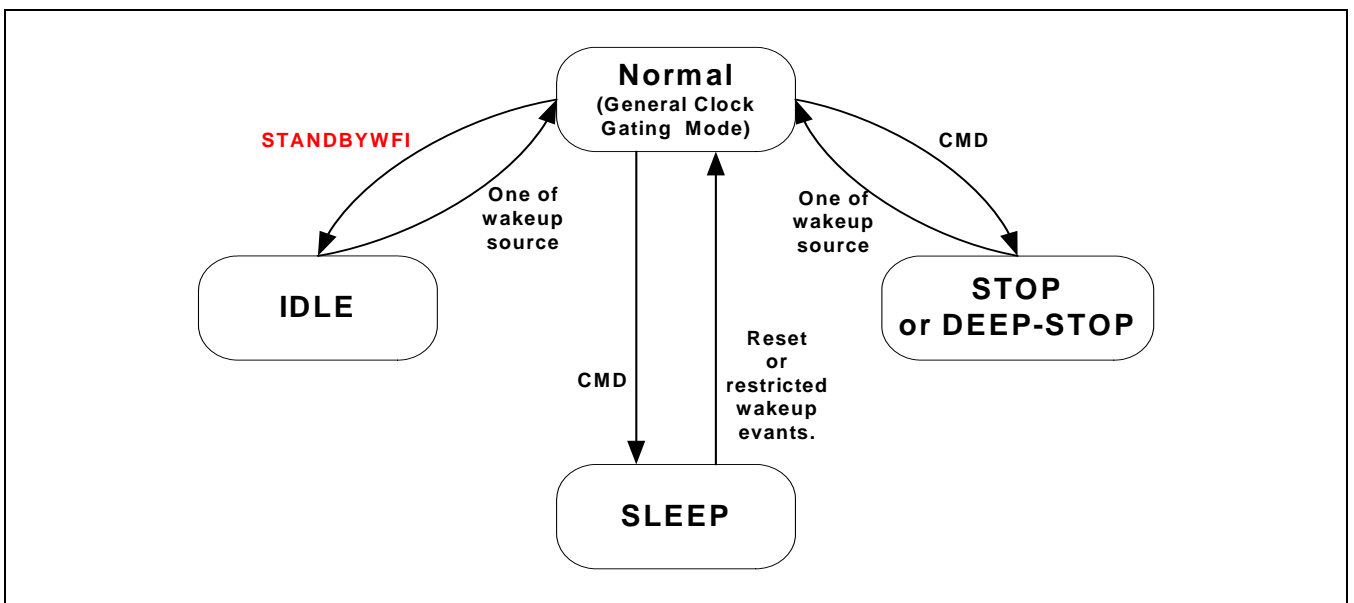


Figure 2-10. Power Mode State Diagram

6.2 POWER SAVING MODES

S3C2416 can support various power saving modes. These are Normal mode, idle mode, Stop mode, Deep-stop mode and Sleep mode.

6.2.1 Normal Mode (General Clock Gating Mode)

In General Clock Gating mode, the On/Off clock gating of the individual clock source of each IP block is performed by controlling of each corresponding clock source enable bit. The Clock Gating is applied instantly whenever the corresponding bit (or bits) is changed. (these bits are set or cleared by the main CPU.)

6.2.2 IDLE Mode

In IDLE mode, the clock to CPU core is stopped. To enter the idle mode, User must use ARM926EJ CP15 command (**MCR p15, 0, Rd, c7, c0, 4**). If user order this command, ARM core prepare to enter into power down mode. These are draining write buffer, letting memory system is in a quiescent state and confirming all external interface(AHB interface) is in idle state. After completing above operation, ARM asserted STANDBYWFI signal. So, System Controller of S3C2416 check STANDBYWFI signal is asserted and disabe ARM clock. By doing that, System can go into idle mode safely. To exit the idle mode, All interrupt sources, RTC ALARM, RTC Tick Counter, Battery Fault signal should be activated.

6.2.3 STOP mode (Normal and Deep-stop)

In STOP mode, all clocks are stopped for minimum power consumption. Therefore, the PLL and oscillator circuit are also stopped(oscillator circuit is stopped optionally, see PWRCFG register). The STOP Mode is activated after the execution of the STORE instruction that enables the STOP Mode bit. The STOP Mode bit should be cleared after the wake-up from the STOP state for the entering of next STOP Mode. The H/W logic only detects the low-to-high triggering of the STOP Mode bit.

In Deep-STOP mode ARM core's power is off by using internal power gating. By this way, the static current will be reduced remarkably compared with STOP mode. To enter the Deep-STOP mode, PWRMODE[18] register should be configured before entering STOP mode. After waking up from Deep-STOP mode, System controller resets ARM core only.

To exit from STOP mode, External interrupt, RTC alarm, RTC Tick, or nRESET has to be activated. During the wake-up sequences, the crystal oscillator and PLL may begin to operate. The crystal-oscillator settle-down-time and the PLL locking-time is required to provide stabilized ARMCLK. Those time-waits are automatically inserted by the hardware of S3C2416. During these time-waits, the clock is not supplied to the internal logic circuitry.

STOP mode Entering sequence is as follows

1. Set the STOP Mode bit (by the main CPU)
2. System controller requests bus controller to finish bus transactions of ARM Core.
3. System controller disable ARM clock after getting ARM Down acknowledge.
4. System controller requests bus controller to finish current transactions.
5. Bus controller send acknowledge to system controller after completed bus transactions.

6. System controller request memory controller to enter self refresh mode. It is for preserving contents in SDRAM.
7. System controller wait for self refresh acknowledge from memory controller.
8. After receiving the self-refresh acknowledge, system controller disables system clocks, and switches SYSCLK's source to MPLL reference clock.
9. Disables PLLs and Crystal(XTI) oscillation. If OSC_EN_STOP bit in PWRCFG register is 'high' then system controller doesn't disable crystal oscillation.
10. When PWRMODE[18] register is configured as '1' (Deep-STOP Enabled), ARM_PWRENn signal change to enable ARM power gating. ARM Core is reset state during STOP mode.

STOP mode Exiting sequence is as follows

1. Enable X-tal Oscillator if it is used, and wait the OSC settle down (around 1ms).
2. After the Oscillator settle-down, the System Clock is fed using the PLL input clock and also enable the PLLs and waits the PLL locking time
3. Switching the clock source, now the PLL is the clock source.
4. When waking up from Deep-STOP mode, ARM_PWRENn is restored to release ARM power gating. After producing SYSCLK ARM_RESEnTn will be released to let ARM work normally.

NOTE

DRAM has to be in self-refresh mode during STOP and SLEEP mode to retain valid memory data. LCD must be stopped before STOP and SLEEP mode, because DRAM can't be accessed when it is in self-refresh mode.

6.2.4 SLEEP MODE

In the SLEEP Mode, all the clock sources are off and also the internal logic-power is not supplied except for the wake-up logic circuitry. In this mode, the static power-dissipation of internal logic can be minimized.

SLEEP Mode Entering sequence is as follows.

1. User writes command into the system controller's PWRMODE[15:0] register to let system enter into the SLEEP Mode.
2. System controller requests bus controller to finish bus transactions of ARM Core.
3. System controller disable ARM clock after getting ARM Down acknowledge.
4. System controller requests bus controller to finish current transactions.
5. Bus controller send acknowledge to system controller after completed bus transactions.
6. System controller request memory controller to enter self refresh mode. It is for preserving contents in SDRAM.
7. System controller wait for self refresh acknowledge from memory controller.
8. After receiving the self-refresh acknowledge, System controller disable system clocks(HCLK, PCLK and so on).
9. System controller asserts control signals to mask unknown state of ALIVE logics and to preserve data of retention Pads.
10. System controller asserts PWR_EN pin and disables the X-tal and PLL oscillation. PWR_EN pin is used to indicate the readiness for external power OFF and to enable and disable of of the power regulator which produces internal-logic power.

SLEEP Mode Exiting sequence is as follows.

1. System controller enable external power source by deactivation of the PWR_EN pin and wait power settle down time (it is programmable by a register in the PWRSETCNT field of RSTCON register).
2. System controller asserts HRESETn and consequently all bus down, self refresh requests and acknowledge signals will be their reset state.
3. System controller release the HRESETn(synchronously, relatively to the system clock) after the power supply is stabilized.

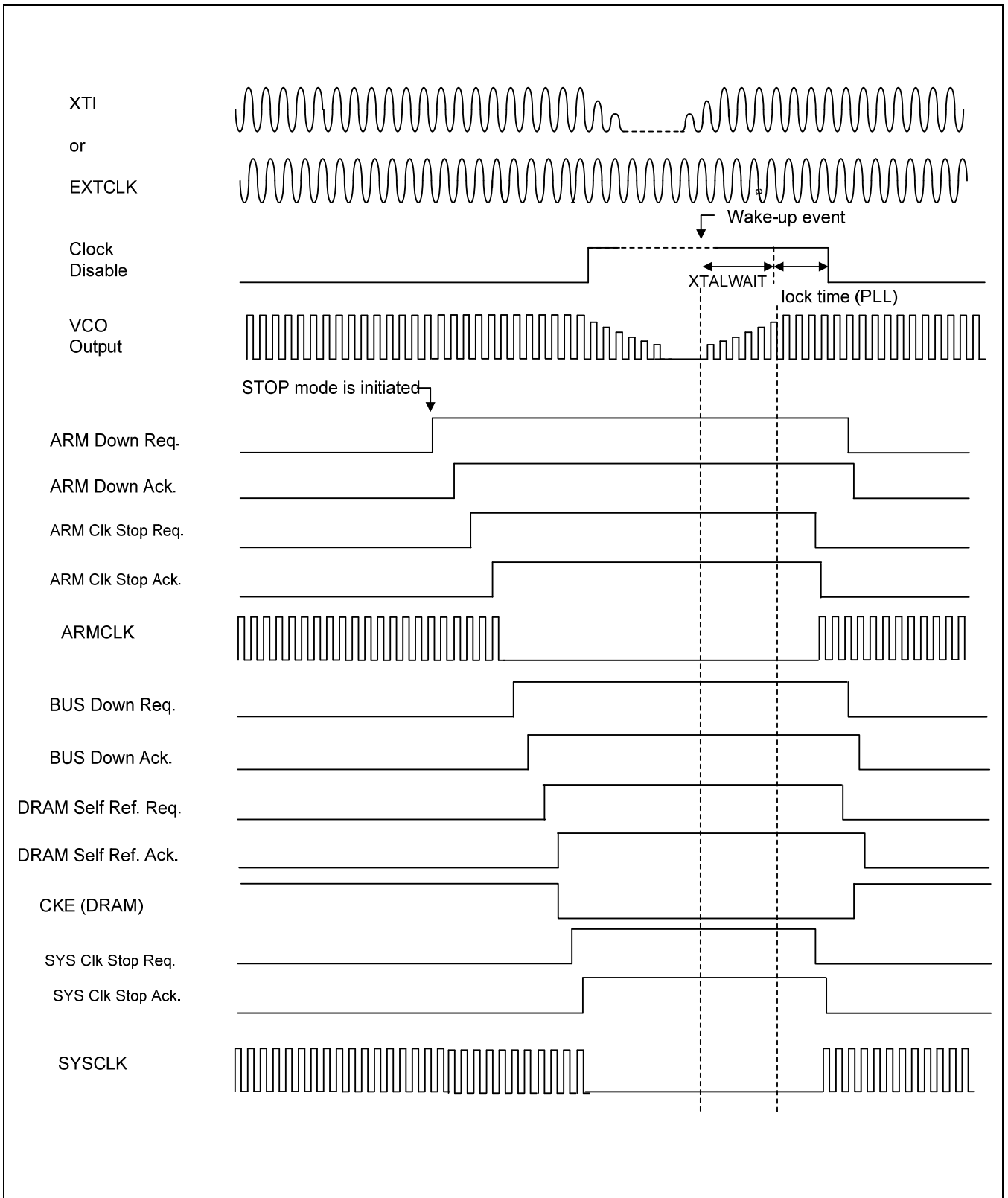


Figure 2-11. Entering STOP Mode and Exiting STOP Mode (wake-up)

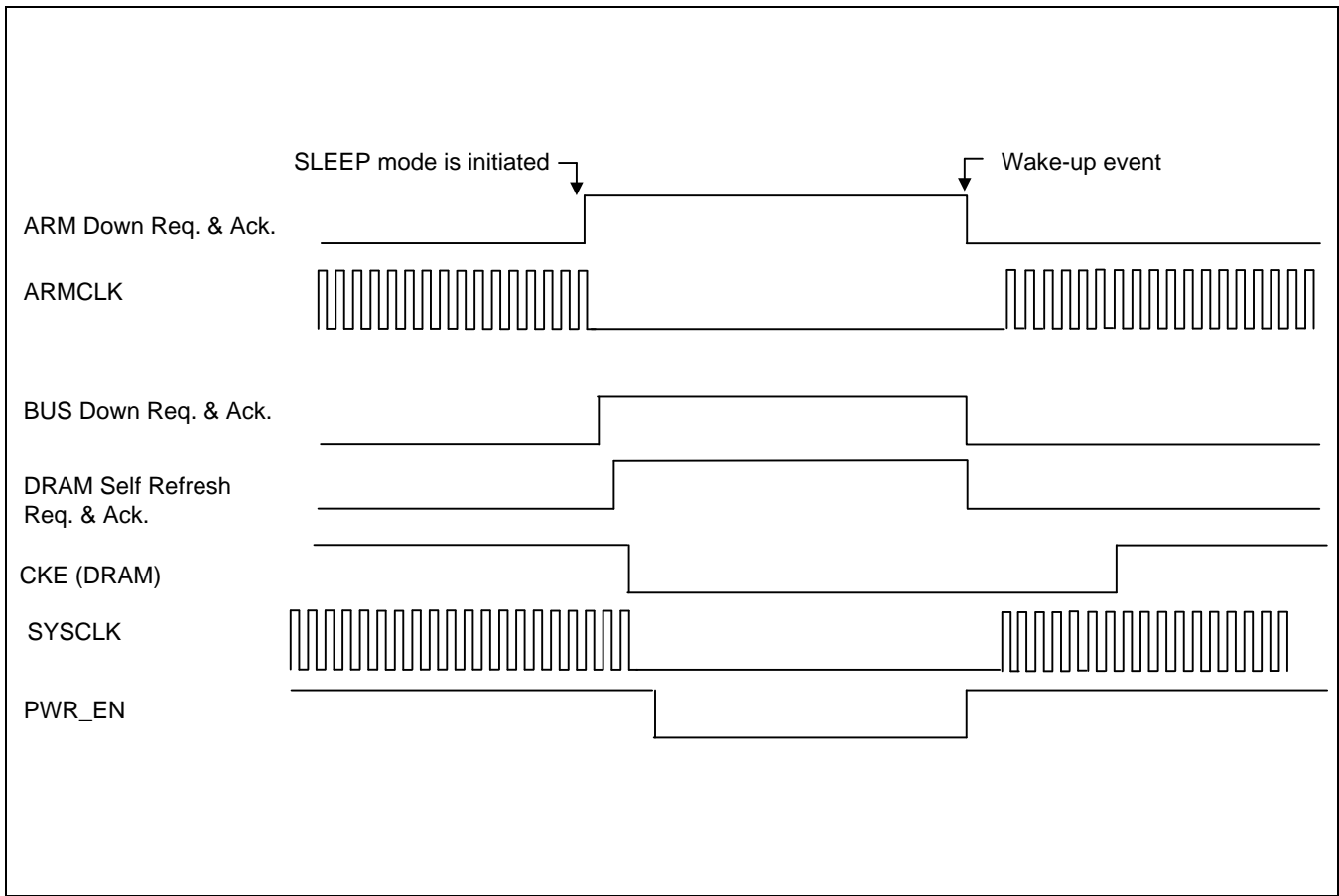


Figure 2-12. Entering SLEEP Mode and Exiting SLEEP Mode (wake-up)

6.3 WAKE-UP EVENT

When S3C2416 wakes up from the STOP Mode by an External Interrupt, a RTC alarm interrupt and other interrupts, the PLL is turned on automatically. The initial-state of S3C2416 after wake-up from the SLEEP Mode is almost the same as the Power-On-Reset state except for the contents of the external DRAM is preserved. In contrast, S3C2416 automatically recovers the previous working state after wake-up from the STOP Mode. The following table shows the states of PLLs and internal clocks after wake-ups from the power-saving modes.

Table 2-7. The Status of PLL and ARMCLK After Wake-up

Mode before wake-up	PLL on/off after wake-up	SYSCLK after wake-up and before the lock time	SYSCLK after the lock time by internal logic
IDLE	Unchanged	PLL output	PLL output
STOP	PLL state ahead of entering STOP mode (PLL ON or not)	PLL reference clock	SYSCLK ahead of entering STOP mode (PLL output or not)
SLEEP	Off	PLL reference clock	PLL reference(input) clock

6.4 OUTPUT PORT STATE AND STOP AND SLEEP MODE

Refer to GPIO chapter.

6.5 POWER SAVING MODE ENTERING/EXITING CONDITION

Table 2-8 shows that Power Saving mode state and Entering or Exiting condition. In general, the entering conditions are set by the main CPU.

Please refer to power-related registers (PWRMODE, PWRCFG and WKUPSTAT) before adopting power saving scheme on your system.

In dealing with sleep mode, it is good for you to know following two restrictions. To enter sleep mode by BATT_FLT, you have to configure BATT_CFG bits of PWRCFG register. Not to exit from sleep mode when BATT_FLT is LOW, you have to configure SLEEP_CFG bit of PWRCFG register.

Table 2-8. Power Saving Mode Entering/Exiting Condition

Power down mode	Enter	Exit
Clock Gating at NORMAL	Clear a respective clock on/off bit for each IP to save power.	Set a respective clock on/off bit for each IP to operate normally
IDLE	STANDBYWFI	<ol style="list-style-type: none"> 1. All interrupt sources 2. RTC alarm 3. RTC Tick 4. BATT_FLT
STOP	CMD	<ol style="list-style-type: none"> 1. EINT[15:0] (External Interrupt) 2. RTC alarm 3. RTC Tick 4. BATT_FLT
SLEEP	CMD	<ol style="list-style-type: none"> 1. EINT[15:0] (External Interrupt) 2. RTC alarm 3. RTC Tick 4. BATT_FLT

7 REGISTER DESCRIPTIONS

The system controller registers are divided into seven categories; clock source control, clock control, power management, reset control, system controller status, bus configuration, and misc. The following section will describe the behavior of the system controller.

7.1 ADDRESS MAP

Table 2-9 summarizes the address map of the system controller.

Table 2-9. System Controller Address Map

Register	Address	R/W	Description	Alive	Reset Value
LOCKCON0	0x4C00_0000	R/W	MPLL lock time count register	X	0x0000_FFFF
LOCKCON1	0x4C00_0004	R/W	EPLL lock time count register	X	0x0000_FFFF
OSCSET	0x4C00_0008	R/W	Oscillator stabilization control register	O	0x0000_8000
MPLLCON	0x4C00_0010	R/W	MPLL configuration register	X	0x0185_40C0
EPLLCON	0x4C00_0018	R/W	EPLL configuration register	X	0x0120_0102
EPLLCON_K	0x4C00_001C	R/W	EPLL configuration register for K value	X	0x0000_0000
CLKSRC	0x4C00_0020	R/W	Clock source control register	X	0x0000_0000
CLKDIV0	0x4C00_0024	R/W	Clock divider ratio control register0	X	0x0000_000C
CLKDIV1	0x4C00_0028	R/W	Clock divider ratio control register1	X	0x0000_0000
CLKDIV2	0x4C00_002C	R/W	Clock divider ratio control register2	X	0x0000_0000
HCLKCON	0x4C00_0030	R/W	HCLK enable register	X	0xFFFF_FFFF
PCLKCON	0x4C00_0034	R/W	PCLK enable register	X	0xFFFF_FFFF
SCLKCON	0x4C00_0038	R/W	Special clock enable register	X	0xFFFF_DFFF
PWRMODE	0x4C00_0040	R/W	Power mode control register	X	0x0000_0000
SWRST	0x4C00_0044	R/W	Software reset control register	X	0x0000_0000
BUSPRI0	0x4C00_0050	R/W	Bus priority control register 0	X	0x0000_0000
PWRCFG	0x4C00_0060	R/W	Power management configuration register	O	0x0000_0000
RSTCON	0x4C00_0064	R/W	Reset control register	O	0x0006_0101
RSTSTAT	0x4C00_0068	R	Reset status register	O	0x0000_0001
WKUPSTAT	0x4C00_006C	R/W	Wake-up status register	O	0x0000_0000
INFORM0	0x4C00_0070	R/W	SLEEP mode information register 0	O	0x0000_0000
INFORM1	0x4C00_0074	R/W	SLEEP mode information register 1	O	0x0000_0000
INFORM2	0x4C00_0078	R/W	SLEEP mode information register 2	O	0x0000_0000
INFORM3	0x4C00_007C	R/W	SLEEP mode information register 3	O	0x0000_0000
USB_PHYCTRL	0x4C00_0080	R/W	USB PHY control register	X	0x0000_0000
USB_PHYPWR	0x4C00_0084	R/W	USB PHY power control register	X	0x0000_0000
USB_RSTCON	0x4C00_0088	R/W	USB PHY reset control register	X	0x0000_0000
USB_CLKCON	0x4C00_008C	R/W	USB PHY clock control register	X	0x0000_0000

8 INDIVIDUAL REGISTER DESCRIPTIONS

8.1 CLOCK SOURCE CONTROL REGISTERS (LOCKCON0, LOCKCON1, OSCSET, MPLLCON, AND EPLLCON)

The six registers control two internal PLLs and an external oscillator. The output frequency of the PLL is determined by the divider values of MPLLCON and EPLLCON. The stabilization time for PLLs and the oscillator is controlled by LOCKCON0/1 and OSCSET, respectively.

Register	Address	R/W	Description	Reset Value
LOCKCON0	0x4C00_0000	R/W	MPLL lock time count register	0x0000_FFFF
LOCKCON1	0x4C00_0004	R/W	EPLL lock time count register	0x0000_FFFF
OSCSET	0x4C00_0008	R/W	Oscillator stabilization control register	0x0000_8000
MPLLCON	0x4C00_0010	R/W	MPLL configuration register	0x0185_40C0
EPLLCON	0x4C00_0018	R/W	EPLL configuration register	0x0120_0102
EPLLCON_K	0x4C00_001C	R/W	EPLL configuration register for K value	0x0000_0000

Conventional PLL requires stabilization duration after the PLL is ON. The duration can be varied according to the device variation. Thus, software must adjust these fields with appropriate values in the LOCKCON0/1 register whose values mean the number of the external reference clock.

LOCKCON0	Bit	Description	Initial Value
RESERVED	[31:16]	RESERVED	0x0000
M_LTIME	[15:0]	MPLL lock time count value for ARMCLK, HCLK, and PCLK Typically, M_LTIME must be longer than 300 usec.	0xFFFF

LOCKCON1	Bit	Description	Initial Value
RESERVED	[31:16]	RESERVED	0x0000
E_LTIME	[15:0]	EPLL lock time count value for UARTCLK, SPICLK and etc. Typically, E_LTIME must be longer than 300 usec.	0xFFFF

In general, an oscillator requires stabilization time. This register specifies the duration based on the reference clock.

OSCSET	Bit	Description	Initial Value
RESERVED	[31:0]	RESERVED	0x0000
XTALWAIT	[15:0]	Crystal oscillator settle-down wait time, this value is valid when s3c2416 is wakeup by stop mode	0x8000

MPLLCON	Bit	Description	Initial Value
RESERVED	[31:26]	-	0x00
MPLLEN_STOP	[25]	MPLL ON/OFF in STOP mode. 0:OFF, 1:ON	0
ONOFF	[24]	MPLL ON/OFF. 0:ON, 1:OFF	1
MDIV	[23:14]	Main divider value of MPLL	0x215
RESERVED	[13:11]	-	0x0
PDIV	[10:5]	Pre-divider value of MPLL	0x6
RESERVED	[4:3]	-	0x0
SDIV	[2:0]	Post-divider value of MPLL	0x0

The output frequencies of **MPLL** can be calculated using the following equations:

$$F_{OUT} = (m \times F_{IN}) / (p \times 2^s) \quad (\text{should be } 40\sim 1600\text{MHz})$$

$$F_{VCO} = (m \times F_{IN}) / p \quad (\text{should be } 800\sim 1600\text{MHz})$$

where, m = MDIV, p = PDIV, s = SDIV, Fin = 10~30Mhz

Don't set the value PDIV[5:0] or MDIV[9:0] to all zeros. (6'b00 0000 / 10'b00 0000 0000)

NOTE

Although there is the equation for choosing PLL value, we strongly recommend only the values in the PLL value recommendation table. If you have to use other values, please contact us.

FIN (MHz)	Target FOUT (MHz)	MDIV (decimal)	PDIV (decimal)	SDIV (decimal)	Duty
12	240	320	4	2	40~60%
12	400	400	3	2	40~60%
12	450	225	3	1	40~60%
12	500	250	3	1	40~60%
12	534	267	3	1	40~60%
12	600	300	3	1	40~60%
12	800	400	3	1	40~60%

EPLLCON	Bit	Description	Initial Value
RESERVED	[31:26]	-	0x00
EPLLEN_STOP	[25]	EPLL ON/OFF in STOP mode. 0:OFF, 1:ON	0
ONOFF	[24]	EPLL ON/OFF. 0:ON, 1:OFF	1
MDIV	[23:16]	EPLL main divider value	0x20
RESERVED	[15:14]	-	0x0
PDIV	[13:8]	EPLL pre-divider value	0x1
RESERVED	[7:3]	-	0x00
SDIV	[2:0]	EPLL post-scaler value	0x2

EPLLCON_K	Bit	Description	Initial Value
RESERVED	[31:16]	-	0
KDIV	[15:0]	EPLL fractional modulator	0x0000

The output frequencies of **EPLL** can be calculated using the following equations:

$$F_{OUT} = ((m+k/2^{16}) \times F_{IN}) / (p \times 2^s) \text{ (should be 20~600MHz)}$$

$$F_{VCO} = (m \times F_{IN}) / p$$

where, m = MDIV, p = PDIV, s = SDIV, k = KDIV $F_{IN} = 10\sim 40\text{MHz}$

Don't set the value PDIV[5:0] or MDIV[7:0] to all zeros. (6'b00 0000 / 8'b0000 0000)

NOTE

Although there is the equation for choosing PLL value, we strongly recommend only the values in the PLL value recommendation table. If you have to use other values, please contact us.

FIN (MHz)	FOUT (MHz)	MDIV (decimal)	PDIV (decimal)	SDIV (decimal)	KDIV (decimal)	Error [MHz]
12	36	48	1	4	0	0
12	48	32	1	3	0	0
12	60	40	1	3	0	0
12	72	48	1	3	0	0
12	84	28	1	2	0	0
12	96	32	1	2	0	0

8.2 CLOCK CONTROL REGISTER (CLKSRC, CLKDIV, HCLKCON, PCLKCON, AND SCLKCON)

The clock generator within the system controller has many dividers and MUXs to generate appropriate clocks. These clocks are controlled by the clock control registers as described in here.

Register	Address	R/W	Description	Reset Value
CLKSRC	0x4C00_0020	R/W	Clock source control register	0x0000_0000
CLKDIV0	0x4C00_0024	R/W	Clock divider ratio control register0	0x0000_000C
CLKDIV1	0x4C00_0028	R/W	Clock divider ratio control register1	0x0000_0000
CLKDIV2	0x4C00_002C	R/W	Clock divider ratio control register2	0x0000_0000
HCLKCON	0x4C00_0030	R/W	HCLK enable register	0xFFFF_FFFF
PCLKCON	0x4C00_0034	R/W	PCLK enable register	0xFFFF_FFFF
SCLKCON	0x4C00_0038	R/W	Special clock enable register	0xFFFF_DFFF

The CLKSRC selects the source input of the clocks.

CLKSRC	Bit	Description	Initial Value
RESERVED	[31:19]	-	0x0_0000
SELHSSPI0	[18]	HS-SPI0 clock 0 = EPLL (divided), 1 = MPLL (divided)	0
SELHSMMC1	[17]	HSMMC1 clock 0 = EPLL (divided), 1 = EXTCLK	0
SELHSMMC0	[16]	HSMMC0 clock 0 = EPLL (divided), 1 = EXTCLK	0
RESERVED	[15:9]	-	0
SELESRC	[8:7]	Selection EPLL reference clock 10 = XTAL, 11 = EXTCLK 0x = identical to that of MPLL reference clock Do not configure SELESRC & SELEPLL register simultaneously.	00
SELEPLL	[6]	EsysClk selection 0 = EPLL reference clock, 1 = EPLL output	0
RESERVED	[5]	-	0
SELMPLL	[4]	MSYSCLK selection 0 = MPLL reference clock (produced through clock divider) 1 = MPLL output	0
SELEXTCLK	[3]	Configure MPLL reference clock divider 0 = don't use MPLL reference clock divider (means 1/1 divide ratio) 1 = use MPLL reference clock divider (See EXTDIV field of CLKDIV)	0
RESERVED	[2:0]	-	0x0

The CLKDIV0 configures the division ratio of each clock generator. The operating speed of ARM can be slow to reduce the overall power dissipation, if software does not require full operating performance. In this case, the power dissipation due to the ARM core can be reduced if the DVS field is ON. The set of DVS field makes that the operating frequency of ARM is the same as system operating clock (HCLK).

CLKDIV0	Bit	Description	Initial Value
RESERVED	[31:14]	-	0x0
DVS	[13]	Enable/disable DVS (Dynamic Voltage Scaling) feature 0 = Disable 1 = Enable (The frequency of ARMCLK is the same frequency of HCLK regardless of ARMDIV field.)	0
RESERVED	[12]	-	0
ARMDIV	[11:9]	ARM clock divider ratio ARMDIV values are recommended as below. 1/1 = 3'b000 1/2 = 3'b001 1/3 = 3'b010 1/4 = 3'b011 1/6 = 3'b101 1/8 = 3'b111	0x0
EXTDIV	[8:6]	External clock divider ratio ratio = (MPLL reference clock) / (EXTDIV*2 + 1)	0
PREDIV	[5:4]	Pre Divider for HCLK PREDIV value should be one of 0,1,2,3 Output frequency of PREDIVIDER should be less than 266MHz	0
HALFHCLK	[3]	HCLKx1_2(SSMC) clock divider ratio, 0 = HCLK, 1 = HCLK/2 User also has to configure SSMC's special register which related with half clock.	1
PCLKDIV	[2]	PCLK clock divider ratio, 0 = HCLK, 1 = HCLK / 2	1
HCLKDIV	[1:0]	HCLK clock divider ratio HCLKDIV value should be one of 0,1,3. (2'b10 is invalid)	0x0

ARMCLK Ratio = (ARMDIV+1).

HCLK Ratio = (PREDIV+1) * (HCLKDIV + 1)

Restrictions about changing ARMDIV register.

1. Be careful that ARMCLK should be equal or faster than HCLK. (X times, X is integer)
2. Change PREDIV, HCLKDIV field after 12 HCLK periods as soon as nRESET is released.

Basically, Changing ARMDIV and HCLKDIV simultaneously is supported. When modifying ARMDIV, PREDIV and HCLKDIV, User should pay attention to obey upper No 1 restriction.

CLKDIV1 configures the clock ratio related on EPLL.

CLKDIV1	Bit	Description	Initial Value
RESERVED	[31:26]	-	0
SPIDIV_0	[25:24]	HS-SPI clock divider ratio, ratio = (SPIDIV + 1)	0x0
DISPDIV	[23:16]	Display controller clock divider ratio, ratio = (DISPDIV + 1)	0x0
I2SDIV_0	[15:12]	I2S0 clock divider ratio, ratio = (I2SDIV_0 + 1)	0x0
UARTDIV	[11:8]	UART clock divider ratio, ratio = (UARTDIV + 1)	0x0
HSMACDIV_1	[7:6]	HSMAC_1 clock divider ratio, ratio = (HSMACDIV_1 + 1)	0x0
USBHOSTDIV	[5:4]	Usb Host clock divider ratio, ratio = (USBHOSTDIV + 1)	0x0
RESERVED	[3:0]	-	0

CLKDIV2 configures the clock ratio related on EPLL or MPLL.

CLKDIV2	Bit	Description	Initial Value
RESERVED	[31:8]	-	0
HSMACDIV_0	[7:6]	HSMAC_0 clock divider ratio(EPLL), ratio = (HSMACDIV_1 + 1)	0x0
RESERVED	[5]	-	0
SPIDIV0_MPLL	[4:0]	HS-SPI0 clock divider ratio(MPLL), ratio = (SPIDIV_1 + 1)	0

The AHB and APB clocks are en/disabled by HCLKCON register. All reserved bits have 1 value at initial state.

HCLKCON	Bit	Description	Initial Value
RESERVED	[31:21]	-	0x7FF
2D	[20]	Enable HCLK into 2D	1
DRAMC	[19]	Enable HCLK into DRAM controller	1
SSMC	[18]	Enable HCLK into the SSMC block	1
RESERVED	[17]	-	1
HSMC1	[16]	Enable HCLK into the HSMC1	1
HSMC0	[15]	Enable HCLK into the HSMC0	1
RESERVED	[14]	-	1
IROM	[13]	Enable HCLK into the IROM	1
USBDEV	[12]	Enable HCLK into the USB device	1
USBHOST	[11]	Enable HCLK into the USB HOST	1
RESERVED	[10]	-	1
DISPCON	[9]	Enable HCLK into the display controller	1
RESERVED	[8:6]	-	0x3
DMA0~5	[7:0]	Enable HCLK into DMA channel 0~5	0x3F

PCLKCON	Bit	Description	Initial Value
RESERVED	[31:20]	-	0xFFFF
PCM	[19]	Enable PCLK into the PCM	1
RESERVED	[18:14]	-	0x1F
GPIO	[13]	Enable PCLK into the GPIO	1
RTC	[12]	Enable PCLK into the RTC	1
WDT	[11]	Enable PCLK into the watch dog timer	1
PWM	[10]	Enable PCLK into the PWM	1
I2S_0	[9]	Enable PCLK into the I2S_0 (I2S → I2S0)	1
AC97	[8]	Enable PCLK into the AC97	1
TSADC	[7]	Enable PCLK into the TSADC	1
SPI_HS_0	[6]	Enable PCLK into the SPI_HS0 (HS → HS0)	1
RESERVED	[5]	-	1
I2C_0	[4]	Enable PCLK into the I2C_0 (I2C → I2C0)	1
UART0~3	[3:0]	Enable PCLK into the UART0~3	0xF

The special clocks are controlled by SCLKCON register. Some blocks in the device require several operating frequencies, i.e., 48 MHz and 24 MHz for USB interface block. Thus, these output frequencies can be controlled by the CLKDIV values.

SCLKCON	Bit	Description	Initial Value
RESERVED	[31:20]	-	0xFFF
SPICLK_MPLL0	[19]	Enable SPICLK0 (MPLL)	1
RESERVED	[18]	-	1
PCM0_EXT	[17]	Enable PCM0 External Clock	1
DDRCLK(Hx2CLK)	[16]	Enable DDRCLK	1
SSMCCLK(HX1_2CLK)	[15]	Enable SSMCCLK	1
SPICLK_0	[14]	Enable HS-SPI_0 (EPLL) clock	1
HSMCCLK_EXT	[13]	Enable HSMC_EXT clock for HSMC0, 1 (EXTCLK) Reference clock of MPLL	0
HSMCCLK_1	[12]	Enable HSMC1_1 clock for (from EPLL or USB48M output)	1
RESERVED	[11]	-	1
DISPCLK	[10]	Enable display controller clock	1
I2SCLK_0	[9]	Enable I2S_0 clock	1
UARTCLK	[8]	Enable UART clock	1
RESERVED	[7]	-	1
HSMCCLK_0	[6]	Enable HSMC_0 clock for (from EPLL or USB48M output)	1
RESERVED	[5:2]	-	0xF
USB HOST	[1]	Enable USB HOST clock	1
RESERVED	[0]	-	1

8.3 POWER MANAGEMENT REGISTERS (PWRMODE AND PWRCFG)

If you want to change the power management mode, you just write a bit(s) into PWRMODE register. Before writing, you must configure condition to wake-up from the power down mode.

Register	Address	R/W	Description	Reset Value
PWRMODE	0x4C00_0040	R/W	Power mode control register	0x0000_0000
PWRCFG	0x4C00_0060	R/W	Power management configuration register	0x0000_0000

S3C2416 consists of three power-down modes, which are IDLE, (Deep)STOP, and SLEEP. The mode transition from the NORMAL mode occurs when the appropriate value is written into PWRMODE & PWRCFG register. If software tries to write illegal value, i.e., tries to set multiple power modes concurrently, then the write operation will be ignored.

PWRMODE	Bit	Description	Initial Value
RESERVED	[31:17]	RESERVED	0
STOP	[16]	The system enters into STOP mode when this field is set to '1'.	0
SLEEP	[15:0]	The system enters into SLEEP mode when this field is set to '0x2BED'. The bit pattern, '0x2BED', represents "Go To BED".	0

PWRCFG register controls the configuration of power mode transition.

PWRCFG	Bit	Description	Initial Value
RESERVED	[31:18]	-	0x0000
STANDBYWFI_EN	[17]	Enable entering of IDLE mode by STANDBYWFI. 0 = Disable, 1 = Enable	0
DEEP-STOP	[16]	Enable the system enters DEEP-STOP mode. If user set 16th register of PWRMODE reg. (ie. STOP) while this bit is configured to '1', the system enters DEEP-STOP mode not STOP mode. To enter the DEEP-STOP mode properly, this bit should be configured prior to setting STOP mode bit.	0
SLEEP_CFG	[15]	Enable wakeup source 0 = Wakeup sources are enabled depending on BATT_FLT in sleep mode. If BATT_FLT pin is asserted logic '1' system can be exit from sleep mode by appropriate wakeup sources. If not, system continuously remain it's sleep state. 1 = Enable wakeup sources regardless of BATT_FLT in sleep mode.	0
RESERVED	[14:10]	-	0x00
NFRESET_CFG	[9]	Reset configuration when internal resets is generated 0 = Reset NAND flash controller. 1 = Do not reset NAND flash controller.	0

PWRCFG	Bit	Description	Initial Value
RTC_CFG	[8]	Configure RTC alarm interrupt wakeup mask 0 = Wake-up signal event is generated when RTC alarm occurs. 1 = Mask RTC alarm interrupt	0
RTCTICK_CFG	[7]	Configure RTC Tick interrupt wakeup mask 0 = wake-up signal event is generated when RTC Tick occurs. 1 = mask RTC alarm interrupt	0
RESERVED	[6:5]	These bits must be 0b'00	0
nSW_PHY_OFF_USB	[4]	Power on/off of USB PHY. (See USB manual to get more details.) 0: OFF 1: ON	0
OSC_EN_SLP	[3]	Crystal oscillator enable bit in SLEEP mode 0 = Disable in SLEEP mode, 1 = Enable in SLEEP mode	0
OSC_EN_STOP	[2]	Crystal oscillator enable bit in STOP mode 0 = Disable in STOP mode, 1 = Enable in STOP mode	0
BATF_CFG	[1:0]	Configure BATT_FLT operation 00, 10 = Ignore, 01 = Generate interrupt in idle mode, It can be used as a wakeup source in stop and sleep mode when BATT_FLT is asserted (active LOW) 11 = Reserved (Please don't use)	0x0

8.4 RESET CONTROL REGISTERS (SWRST AND RSTCON)

Software can reset S3C2416 using SWRST register. The waveform of the reset signals are determined by RSTCON register.

Register	Address	R/W	Description	Reset Value
SWRST	0x4C00_0044	R/W	Software reset control register	0x0000_0000
RSTCON	0x4C00_0064	R/W	Reset control register	0x0006_0101

When software write the predefined value, 0x533C2416, into SWRST register, then the system controller asserts internal reset signal and initializes internal state.

SWRST	Bit	Description	Initial Value
SWRST	[31:0]	If this field has 0x533C2416, then the system will restart.	0x0000_0000

RSTCON register controls the duration of the system reset signal.

RSTCON	Bit	Description	Initial Value
RESERVED	[31:19]	-	0x0000
RESERVED	[18:17]	Should be set '0x3'	0x3
PWROFF_SLP	[16]	Power Control on pad retention cell I/O. Retention cell I/O's power will be off when sleep mode, but when wakeup process starts, User should write '1' to produce power on retention I/O (see below detailed description) 1 = set automatically when sleep mode. 0 = cleared by user writing '1'	0
RSTCNT	[15:8]	Only watch dog and software reset can start counter which is counted from RSTCNT value. This RSTCNT value effects delay of releasing reset. After this counter expired, internal reset (like HRESETn) will be HIGH state. Range which user can configure is from 0x01 to 0xFE. (Don't write 0xFF to this field)	0x01
PWRSETCNT	[7:0]	This field configures value of Power Settle Down Counter. Only When waking up from sleep mode, Power Settle Down Counter starts counting to wait for stability of external voltage source. As soon as counter reaches PWRSETCNT value, the system escapes from sleep mode. Range which user can configure is from 0x01 to 0xFE. (Don't write 0xFF to this field) Real count number = (PWRSETCNT[7:0] + 1) * 2048	0x01

8.5 CONTROL OF RETENTION PAD(I/O) WHEN NORMAL MODE AND WAKE-UP FROM SLEEP MODE.

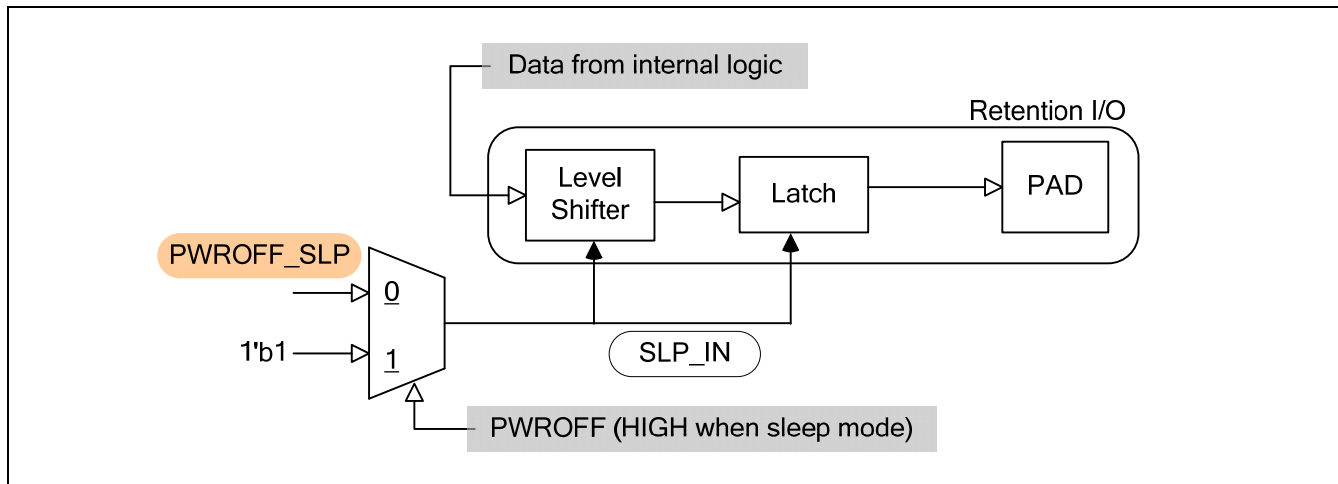


Figure 2-13. Usage of PWROFF_SLP

S3C2416 has a lot of retention PADS. Retention pad's ability is remaining data when internal logic power is off. In normal mode, PWROFF_SLP signal which from RSTCON register can control about PAD output. If SLP_IN signal has LOW value, data assigned to specific PAD go out through level shifter and latch. Otherwise If SLP_IN signal has HIGH value, output of level shifter cannot pass therefore retention PAD produces latched data only.

When the system enters into a sleep mode, SLP_IN value has HIGH value as a result of PWROFF's HIGH state. Furthermore, PWROFF_SLP register bit is automatically set to 1'b1.

When the system wakeup from sleep mode, SLP_IN still remains HIGH state until user configure PWROFF_SLP bit as 1'b0. Therefore, user has to configure PWROFF_SLP bit to produce internal logic data through PAD after waking up from sleep mode.

Pin lists that are not affected by PWROFF_SLP

OM[4:0], EINT[15:0], AIN[9:0],

Vref, DM_UDEV, DP_UDEV, REXT, X0_UDEV, X1_UDEV,

nTRST, TMS, TCK, TDI, TDO,

XTOpll, XTlpll, EPLLAP,

XTRrtc, XTOrtc, nRESET, nRSTOUT, PWREN, BATT_FLT, EXTCLK,

GPF, GPG[7:0]

8.6 SYSTEM CONTROLLER STATUS REGISTERS (WKUPSTAT AND RSTSTAT)

Software must know the status of the system controller after wakeup or reset. WKUPSTAT and RSTSTAT registers store the information.

Register	Address	R/W	Description	Reset Value
RSTSTAT	0x4C00_0068	R	Reset status register	0x0000_0001
WKUPSTAT	0x4C00_006C	R/W	Wake-up status register	0x0000_0000

After S3C2416 is re-set or woken-up, the following two registers store the source of the activation. The value of RSTSTAT register is cleared by the other reset. If each bit has '1' value, resets or wakeup events are occurred.

The reset priority is as follows: nRESET > WDTRST > SLEEP > DEEP-STOP > SW Reset

RSTSTAT	Bit	Description	Initial Value
RESERVED	[31:6]	-	0x0000_000
SWRST	[5]	Reset by software (see SWRST register)	0
DEEP-STOP	[4]	Wakeup from DEEP-STOP (ARM Reset only)	0
SLEEP	[3]	Wakeup from RTC_TICK, RTC_ALARM, EINT and battery fault from power-down mode. (Reset by waking-up from SLEEP mode)	0
WDTRST	[2]	Reset by Watch-dog reset	0
RESERVED	[1]	-	0
EXTRST	[0]	External reset by nRESET pin	1

WKUPSTAT register indicates that which source was used for changing system state into normal mode from idle, stop and sleep mode. The value of WKUPSTAT register can be cleared by writing '1'.

WKUPSTAT	Bit	Description	Initial Value
RESERVED	[31:6]	-	0x0000_000
BATF	[5]	Waked-up by BATT_FLT assertion. This field is valid when PWRCFG[1:0] = 2'b01	0
RTC_TICK	[4]	Waked-up by RTC tick	0
RESERVED	[3:2]	-	0x0
RTC	[1]	Waked-up by RTC alarm	0
EINT	[0]	Waked-up by external interrupts	0

8.7 BUS CONFIGURATION REGISTER (BUSPRI0, BUSPRI1, AND BUSMISC)

To improve AHB bus performance, software must control the arbitration scheme and type.

Register	Address	R/W	Description	Reset Value
BUSPRI0	0x4C00_0050	R/W	Bus priority control register 0	0x0000_0000

S3C2416 consists of 2 hierarchical AHB buses. The arbitration priority and order can be configured with BUSPRI0 registers. You can see specific priority number that assigned to each AMBA master in User's Manual section '04-BUS PRIORITIES'. The number of masters of AHB-S and AHB-I bus is 16 and 9 respectively.

Each TYPE field of BUSPRI0 register has three possible choices as follows:

1. 2'b00: the fixed type
2. 2'b01: the last granted maser has the lowest priority
3. 2'b10: the rotated type
4. 2'b11: undefined

BUSPRI0	Bit	Description	Initial Value																																				
RESERVED	[31:16]	-	0x0000																																				
TYPE_S	[15:14]	Priority type for AHB-System bus	0x0																																				
RESERVED	[13:12]	-	0x0																																				
ORDER_S	[11:8]	Fixed priority order for AHB-S bus	0x0																																				
		<table border="1"> <thead> <tr> <th>Value</th> <th>Priority</th> <th>Value</th> <th>Priority</th> </tr> </thead> <tbody> <tr> <td>4'h0</td> <td>0-1-2-3-4-5-6-7-8-9-10-11-12-13-14-15</td> <td>4'h8</td> <td>8-9-10-11-12-13-14-15-0-1-2-3-4-5-6-7</td> </tr> <tr> <td>4'h1</td> <td>1-2-3-4-5-6-7-8-9-10-11-12-13-14-15-0</td> <td>4'h9</td> <td>9-10-11-12-13-14-15-0-1-2-3-4-5-6-7-8</td> </tr> <tr> <td>4'h2</td> <td>2-3-4-5-6-7-8-9-10-11-12-13-14-15-0-1</td> <td>4'ha</td> <td>10-11-12-13-14-15-0-1-2-3-4-5-6-7-8-9</td> </tr> <tr> <td>4'h3</td> <td>3-4-5-6-7-8-9-10-11-12-0-1-2</td> <td>4'hb</td> <td>11-12-13-14-15-0-1-2-3-4-5-6-7-8-9-10</td> </tr> <tr> <td>4'h4</td> <td>4-5-6-7-8-9-10-11-12-13-14-15-0-1-2-3</td> <td>4'hc</td> <td>12-13-14-15-0-1-2-3-4-5-6-7-8-9-10-11</td> </tr> <tr> <td>4'h5</td> <td>5-6-7-8-9-10-11-12-13-14-15-0-1-2-3-4</td> <td>4'hd</td> <td>13-14-15-0-1-2-3-4-5-6-7-8-9-10-11-12</td> </tr> <tr> <td>4'h6</td> <td>6-7-8-9-10-11-12-13-14-15-0-1-2-3-4-5</td> <td>4'he</td> <td>14-15-0-1-2-3-4-5-6-7-8-9-10-11-12-13</td> </tr> <tr> <td>4'h7</td> <td>7-8-9-10-11-12-13-14-15-0-1-2-3-4-5-6</td> <td>4'hf</td> <td>15-0-1-2-3-4-5-6-7-8-9-10-11-12-13-14</td> </tr> </tbody> </table>		Value	Priority	Value	Priority	4'h0	0-1-2-3-4-5-6-7-8-9-10-11-12-13-14-15	4'h8	8-9-10-11-12-13-14-15-0-1-2-3-4-5-6-7	4'h1	1-2-3-4-5-6-7-8-9-10-11-12-13-14-15-0	4'h9	9-10-11-12-13-14-15-0-1-2-3-4-5-6-7-8	4'h2	2-3-4-5-6-7-8-9-10-11-12-13-14-15-0-1	4'ha	10-11-12-13-14-15-0-1-2-3-4-5-6-7-8-9	4'h3	3-4-5-6-7-8-9-10-11-12-0-1-2	4'hb	11-12-13-14-15-0-1-2-3-4-5-6-7-8-9-10	4'h4	4-5-6-7-8-9-10-11-12-13-14-15-0-1-2-3	4'hc	12-13-14-15-0-1-2-3-4-5-6-7-8-9-10-11	4'h5	5-6-7-8-9-10-11-12-13-14-15-0-1-2-3-4	4'hd	13-14-15-0-1-2-3-4-5-6-7-8-9-10-11-12	4'h6	6-7-8-9-10-11-12-13-14-15-0-1-2-3-4-5	4'he	14-15-0-1-2-3-4-5-6-7-8-9-10-11-12-13	4'h7	7-8-9-10-11-12-13-14-15-0-1-2-3-4-5-6	4'hf	15-0-1-2-3-4-5-6-7-8-9-10-11-12-13-14
		Value		Priority	Value	Priority																																	
		4'h0		0-1-2-3-4-5-6-7-8-9-10-11-12-13-14-15	4'h8	8-9-10-11-12-13-14-15-0-1-2-3-4-5-6-7																																	
		4'h1		1-2-3-4-5-6-7-8-9-10-11-12-13-14-15-0	4'h9	9-10-11-12-13-14-15-0-1-2-3-4-5-6-7-8																																	
		4'h2		2-3-4-5-6-7-8-9-10-11-12-13-14-15-0-1	4'ha	10-11-12-13-14-15-0-1-2-3-4-5-6-7-8-9																																	
		4'h3		3-4-5-6-7-8-9-10-11-12-0-1-2	4'hb	11-12-13-14-15-0-1-2-3-4-5-6-7-8-9-10																																	
		4'h4		4-5-6-7-8-9-10-11-12-13-14-15-0-1-2-3	4'hc	12-13-14-15-0-1-2-3-4-5-6-7-8-9-10-11																																	
		4'h5		5-6-7-8-9-10-11-12-13-14-15-0-1-2-3-4	4'hd	13-14-15-0-1-2-3-4-5-6-7-8-9-10-11-12																																	
4'h6	6-7-8-9-10-11-12-13-14-15-0-1-2-3-4-5	4'he	14-15-0-1-2-3-4-5-6-7-8-9-10-11-12-13																																				
4'h7	7-8-9-10-11-12-13-14-15-0-1-2-3-4-5-6	4'hf	15-0-1-2-3-4-5-6-7-8-9-10-11-12-13-14																																				
TYPE_I	[7:6]	Priority type for AHB-Image bus	0x0																																				
RESERVED	[5:3]	-	0x0																																				

BUSPRI0	Bit	Description	Initial Value																				
ORDER_I	[2:0]	Fixed priority order for AHB-I bus	0x0																				
		<table border="1"> <thead> <tr> <th>Value</th> <th>Priority</th> <th>Value</th> <th>Priority</th> </tr> </thead> <tbody> <tr> <td>3'b000</td> <td>0-1-2-3-4-5-6-7</td> <td>3'b100</td> <td>4-5-6-0-1-2-3-7</td> </tr> <tr> <td>3'b001</td> <td>1-2-3-4-5-6-0-7</td> <td>3'b101</td> <td>5-6-0-1-2-3-4-7</td> </tr> <tr> <td>3'b010</td> <td>2-3-4-5-6-0-1-7</td> <td>3'b110</td> <td>6-0-1-2-3-4-5-7</td> </tr> <tr> <td>3'b011</td> <td>3-4-5-6-0-1-2-7</td> <td>3'b111</td> <td>undefined</td> </tr> </tbody> </table>		Value	Priority	Value	Priority	3'b000	0-1-2-3-4-5-6-7	3'b100	4-5-6-0-1-2-3-7	3'b001	1-2-3-4-5-6-0-7	3'b101	5-6-0-1-2-3-4-7	3'b010	2-3-4-5-6-0-1-7	3'b110	6-0-1-2-3-4-5-7	3'b011	3-4-5-6-0-1-2-7	3'b111	undefined
		Value		Priority	Value	Priority																	
		3'b000		0-1-2-3-4-5-6-7	3'b100	4-5-6-0-1-2-3-7																	
		3'b001		1-2-3-4-5-6-0-7	3'b101	5-6-0-1-2-3-4-7																	
3'b010	2-3-4-5-6-0-1-7	3'b110	6-0-1-2-3-4-5-7																				
3'b011	3-4-5-6-0-1-2-7	3'b111	undefined																				

8.8 INFORMATION REGISTER 0,1,2,3

Register	Address	R/W	Description	Reset Value
INFORM0	0x4C00_0070	R/W	SLEEP mode information register 0	0x0000_0000
INFORM1	0x4C00_0074	R/W	SLEEP mode information register 1	0x0000_0000
INFORM2	0x4C00_0078	R/W	SLEEP mode information register 2	0x0000_0000
INFORM3	0x4C00_007C	R/W	SLEEP mode information register 3	0x0000_0000

INFORM0~3 registers retain their contents during SLEEP mode. Thus, if you want to reserve some important data during SLEEP mode, you can use these registers.

INFORM0~3	Bit	Description	Initial Value
DATA	[31:0]	User specific information	0x0000_0000

8.9 USB PHY CONTROL REGISTER (PHYCTRL)

Register	Address	R/W	Description	Reset Value
PHYCTRL	0x4C00_0080	R/W	USB2.0 PHY Control Register	0x0000_0000

PHYCTRL	Bit	Description	Initial State
RESERVED	[31:6]	-	0
CLK_ON_OFF	[5]	Clock input on off control at pad input area Should be use with EXT_CLK [2]. When Combination of [5],[2] bit is 2'b11 , could be off clock input. 00 = Crystal Enable, 01 = Oscillator Enable, 11 = Crystal/Oscillator Disable(PAD Disable), 10 = reserved	0
CLK_SEL	[4:3]	Reference Clock Frequency Select 00 = 48MHz 01 = Reserved 10 = 12MHz 11 = 24MHz	2'b00
EXT_CLK	[2]	Clock Select 0 = Crystal 1 = Oscillator	0
INT_PLL_SEL	[1]	Host 1.1 uses which PLL Clock (48MHz) 0 = use EPLL (USBHOSTCLK should be 48MHz and The CLK_SEL[1:0] must be set to 2'b00) 1 = use USB own Internal PLL Clock	0
DOWNSTREAM_PORT	[0]	Downstream Port Select 0 = Device (Function) Mode 1 = Host Mode	0

8.10 USB PHY POWER CONTROL REGISTER (PHYPWR)

Register	Address	R/W	Description	Reset Value
PHYPWR	0x4C00_0084	R/W	USB2.0 PHY Power Control Register	0x0000_0000

PHYCTRL	Bit	Description	Initial State
RESERVED	[31:6]	Must be zero	0
RESERVED	[5:4]	Must be 0x3	2'b00
RESERVED	[3:1]	Must be zero	2'b000
FORCE_SUSPEND	[0]	Apply Suspend signal for power save 0 = Disable (Normal Operation) 1 = Enable	0

8.11 USB RESET CONTROL REGISTER (URSTCON)

Register	Address	R/W	Description	Reset Value
URSTCON	0x4C00_0088	R/W	USB Reset Control Register	0x0000_0000

URSTCON	Bit	Description	Initial State
RESERVED	[31:3]	-	0
FUNC_RESET	[2]	Function 2.0 S/W Reset 1 = Reset	0
HOST_RESET	[1]	Host 1.1 S/W Reset 1 = Reset	0
PHY_RESET	[0]	PHY 2.0 S/W Reset The PHY_RESET signal must be asserted for at least 10us 1 = Reset	0

8.12 USB CLOCK CONTROL REGISTER (UCLKCON)

Register	Address	R/W	Description	Reset Value
UCLKCON	0x4C00_008C	R/W	USB Clock Control Register	0x0000_0000

MSINTEN	Bit	Description	Initial State
DETECT_VBUS	[31]	VBUS Detect This VBUS indicator signal indicates that the VBUS signal on the USB cable is active. For the serial interface, this signal controls the pull-up resistance on the D+ line in Device mode only. 1 = Pull-up resistance on the D+ line is enabled based on the speed of operation. 0 = Pull-up resistance on the D+ line is disabled.	0
RESERVED	[30:3]	-	0
FUNC_CLK_EN	[2]	USB 2.0 Function Clock Enable 0 = Disable 1 = Enable	0
HOST_CLK_EN	[1]	USB 1.1 Host Clock Enable 0 = Disable 1 = Enable	0
RESERVED	[0]	-	0

3 BUS MATRIX & EBI

1 OVERVIEW

S3C2416 MATRIX provides the interface between dual AHB bus and Memory sub-system. It is used for achieving high system performance by accessing various kinds of memory (SDRAM, SRAM, Flash Memory, ROM etc) from different AHB bus (one is for system and the other is for image) at the same time. S3C2416 have two MATRIX cores because it has two memory ports, and each MATRIX can select the priority between rotation type and fixed type. User can select which one is excellent for improving system performance.

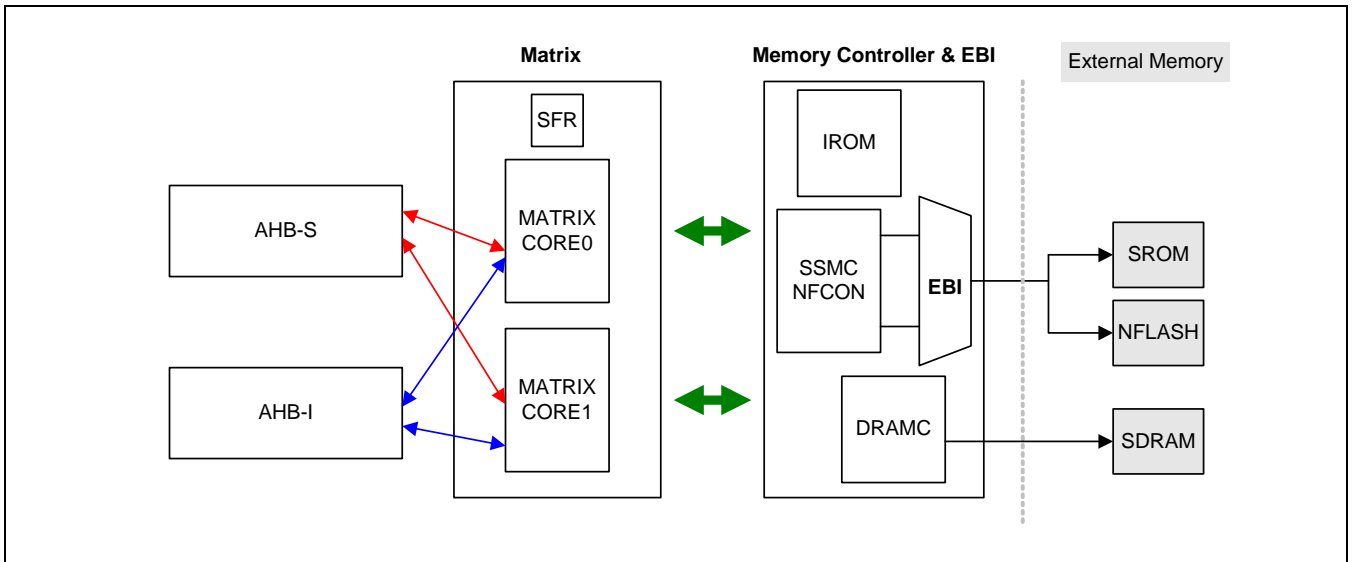


Figure 3-1. The Configuration of MATRIX and Memory Sub-System of S3C2416

2 SPECIAL FUNCTION REGISTERS

2.1 MATRIX CORE 0 PRIORITY REGISTER (BPRIORITY0)

Register	Address	R/W	Description	Reset Value
BPRIORITY0	0X4E800000	R/W	Matrix Core 0 priority control register	0x0000_0004

BPRIORITY0	Bit	Description	Initial State
PRI_TYP	[2]	Priority type 0 = Fixed Type 1 = Rotation Type	1
FIX_PRI_TYP	[0]	Priority for the fixed priority type 0 = AHB_S > AHB_I 1 = AHB_I > AHB_S	0

2.2 MATRIX CORE 1 PRIORITY REGISTER (BPRIORITY1)

Register	Address	R/W	Description	Reset Value
BPRIORITY1	0X4E800004	R/W	Matrix Core 1 priority control register	0x0000_0004

BPRIORITY1	Bit	Description	Initial State
PRI_TYP	[2]	Priority type 0 = Fixed Type 1 = Rotation Type	1
FIX_PRI_TYP	[0]	Priority for the fixed priority type 0 = AHB_S > AHB_I 1 = AHB_I > AHB_S	0

2.3 EBI CONTROL REGISTER (EBICON)

Register	Address	R/W	Description	Reset Value
EBICON	0X4E800008	R/W	EBI control register	0x0000_0004

EBICON	Bit	Description	Initial State
Reserved	[31:9]	Should be '0'	0
BANK1_CFG	[8]	Bank1 Configuration 0: SROM 1:NAND	0
PRI_TYP	[2]	Priority type 0: Fixed Type 1: Rotation Type	1
FIX_PRI_TYP	[1:0]	Priority for the fixed priority type 2b'0X : SSMC > NFCON > ExtBusMaster 2b'10 : SSMC > ExtBusMaster > NFCON 2b'11 : ExtBusMaster > SSMC > NFCON	00

NOTES

4 BUS PRIORITIES

1 OVERVIEW

The bus arbitration logic determines the priorities of bus masters. It supports a combination of rotation priority mode and fixed priority mode.

1.1 BUS PRIORITY MAP

The S3C2416 holds 16 masters on the AHB_S(System Bus), 9 masters on the AHB_I(Image Bus) and 9 masters on the APB Bus. The following list shows the priorities among these bus masters after a reset.

Priority	AHB_S BUS MASTERS	Comment
0	Reserved	1. Fix Type: all priority can be changed according to register value stored in The System Controller.
1	HS-MMC1	
2	DMA0	2 Rotation Type: all masters' priority can be rotatable according to register value stored in The System Controller. (Except for Default Masters)
3	DMA1	
4	DMA2	
5	DMA3	
6	DMA4	
7	DMA5	
8	Reserved	
9	Reserved	
10	UHOST	
11	UDEVICE20	
12	HS-MMC0	
13	ARM926EJ DBUS	
14	ARM926EJ IBUS	
15	Default	

Priority	AHB_I BUS MASTERS	Comment
0	Reserved	1. Fix Type: all priority can be changed according to register value stored in The System Controller. 2 Rotation Type : all masters' priority can be rotatable according to register value stored in The System Controller. (except for Default Master)
1	TFTW1-LCD	
2	TFTW2-LCD	
3	Reserved	
4	Reserved	
5	Reserved	
6	2D	
7	AHB2AHB	
8	Default	

Priority	APB BUS MASTERS	Comment
0	AHB2APB	AHB2APB Bridge Master obtains always highest priority and the priority of six DMA channels rotate internally.
1	DMA0	
2	DMA1	
3	DMA2	
4	DMA3	
5	DMA4	
6	DMA5	
7	Reserved	
8	Reserved	

5

STATIC MEMORY CONTROLLER (SMC)

1 OVERVIEW

The SMC provides simultaneous support for up to six memory banks (bank0 to bank5) that you can configure independently. Each memory bank supports:

- SRAM
- ROM
- Flash EPROM
- Burst SRAM, ROM, and flash
- OneNAND

You can configure each memory bank to use 8 or 16-bit external memory data paths. You can configure the SMC to support either little-endian or big-endian operation. For example, each memory bank can be configured to support:

- nonburst read and write accesses to high-speed CMOS asynchronous static RAM
- nonburst write accesses, nonburst read accesses, and asynchronous page mode read accesses to fast-boot block flash memory
- synchronous single and burst read and write accesses to synchronous static RAM.

2 FEATURE

- Supports asynchronous static memory-mapped devices including RAM, ROM, OneNAND and flash
- Supports synchronous static memory-mapped devices including synchronous burst flash
- Supports asynchronous page mode read operation in non-clocked memory subsystems
- Supports asynchronous burst mode read access to burst mode ROM and flash devices
- Supports synchronous burst mode read, write access to burst mode ROM and flash devices
- Supports 8 and 16-bit data bus
- Address space : Up to 64MB per Bank
- Fixed memory bank start address
- External wait to extend the bus cycle
- Support byte, half-word and word access for external memory
- Programmable wait states, up to 31
- Programmable bus turnaround cycles, up to 15
- Programmable output enable and write enable delays, up to 15
- Configurable size at reset for boot memory bank using external control pins
- Support for interfacing to another memory controller using an External Bus Interface (EBI)
- Multiple memory clock frequencies available, HCLK and HCLK/2
- Eight word, 32-bit, wrapping reads from 16-bit memory
- SMBSTWAIT is synchronous burst wait input that the external device uses to delay a synchronous burst transfer for bank 0. When this signal is not used, it shall be driven to high.
- nWAIT is wait mode input from external memory controller. Active HIGH or active LOW, as programmed in the SMC Control Registers for each bank.

3 BLOCK DIAGRAM

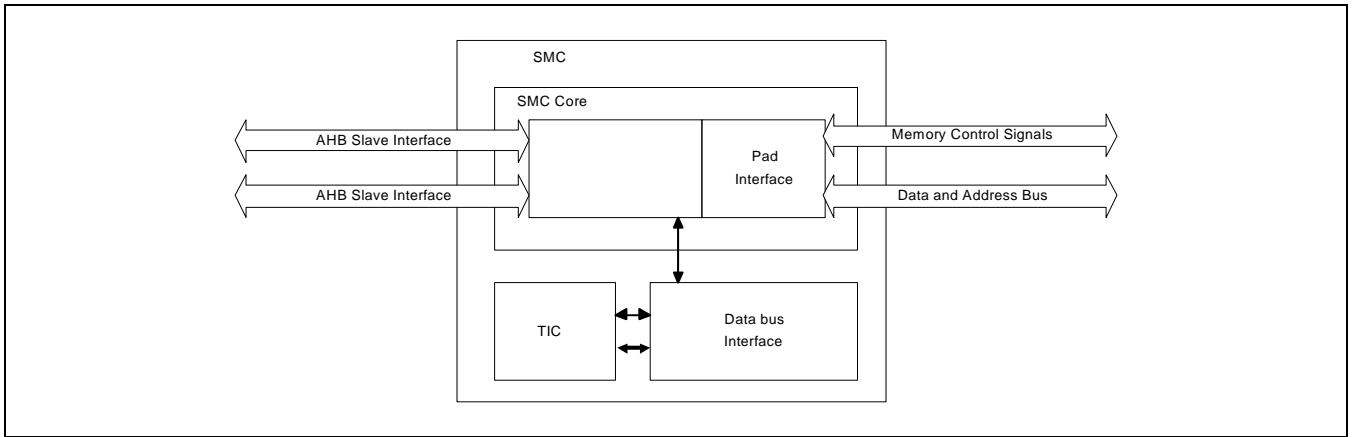


Figure 5-1. SMC Block Diagram

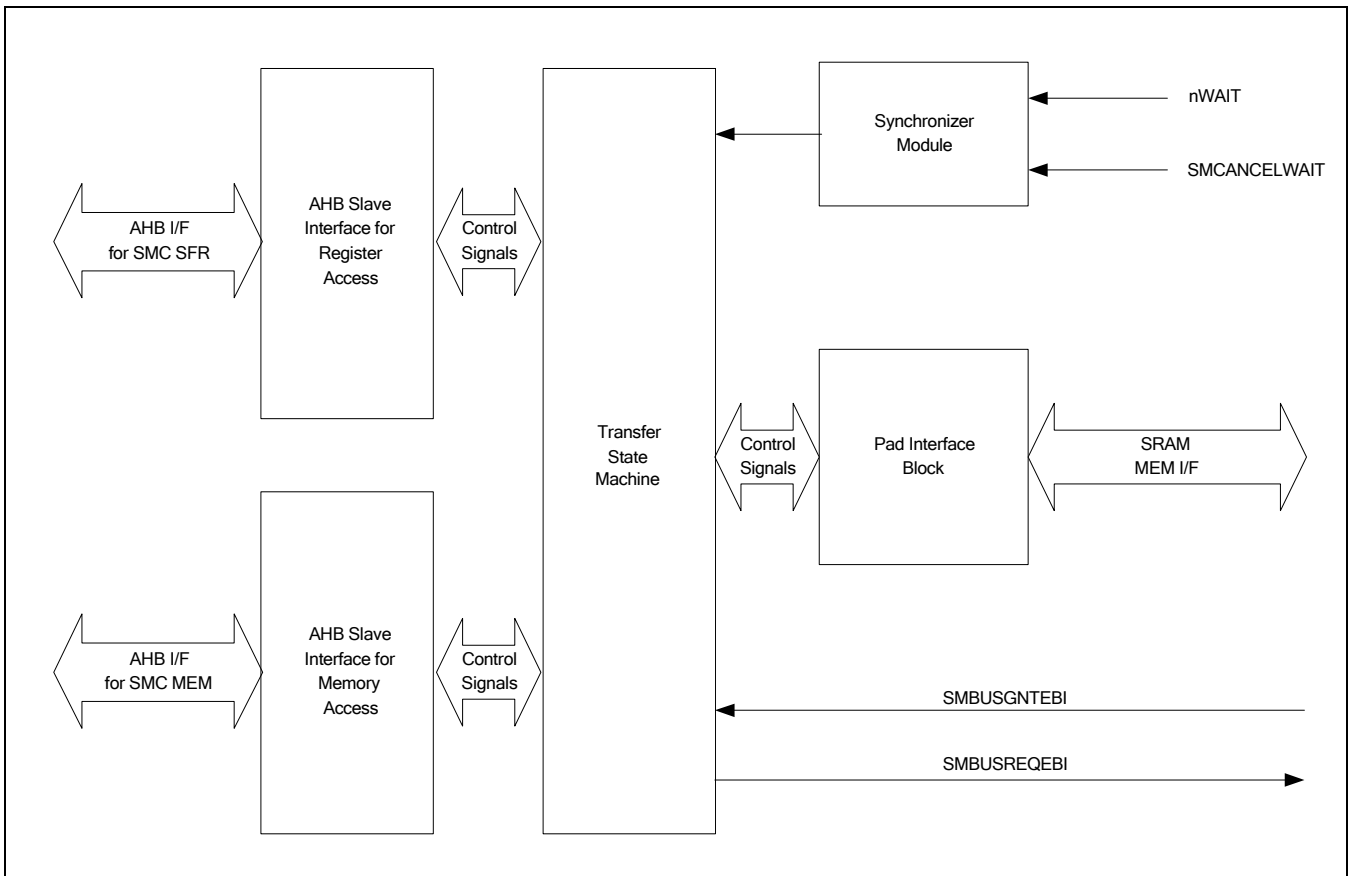


Figure 5-2. SMC Core Block Diagram

3.1 ASYNCHRONOUS READ

Figure 5-3 shows an external memory read transfer with two output enable delay states, $WSTOEN = 2$, and two wait states, $WSTRD = 2$. Four AHB wait states are inserted during the transfer, two for the standard read, and additional two because of the programmed wait states added.

The PSMAVD signal might be required for synchronous static memory devices when you use it in asynchronous mode. You can disable this using the AddrValidReadEn bit in the SMBCRx register. This bit defaults to being set (enable) to enable a system to boot from synchronous memory. You can then clear it if you do not require it. When disabled, the signal is driven HIGH continuously.

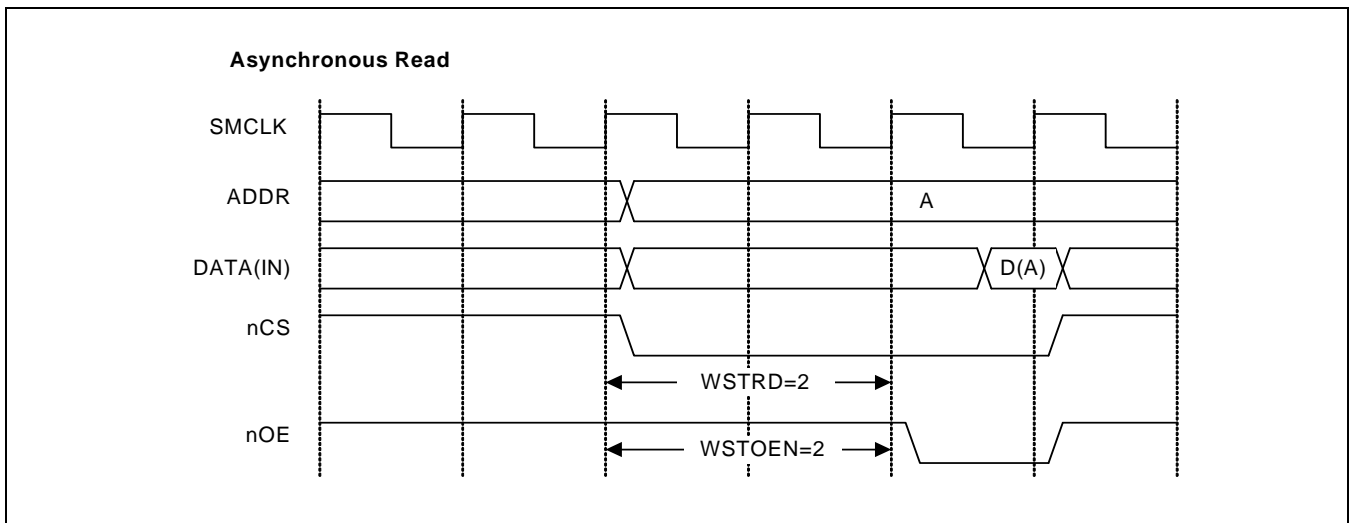


Figure 5-3. External Memory Two Output Enable Delay State Read

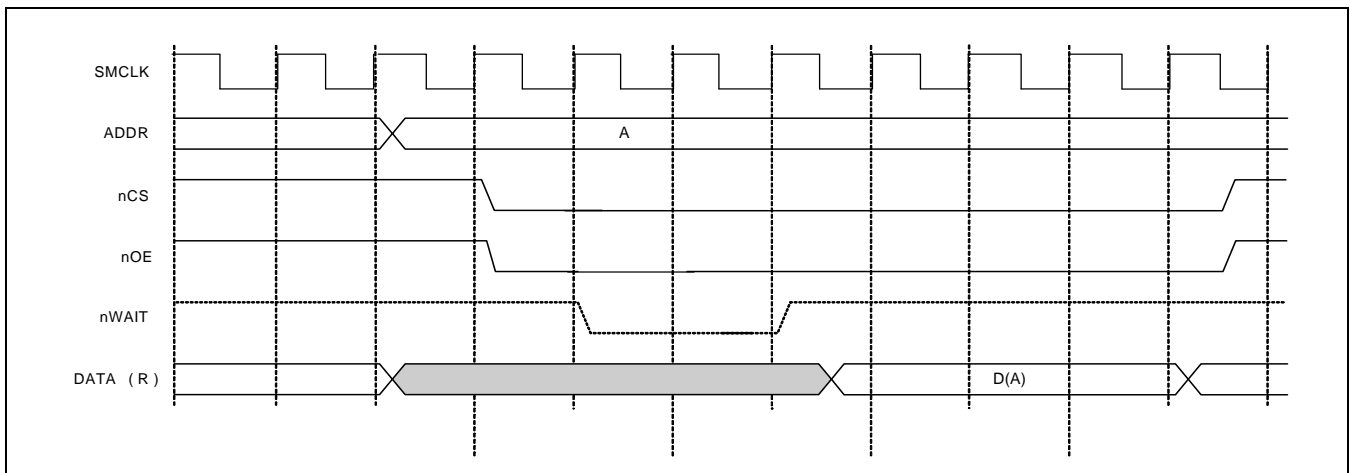


Figure 5-4. Read Timing Diagram (DRnCS = 1, DRnOWE = 0)

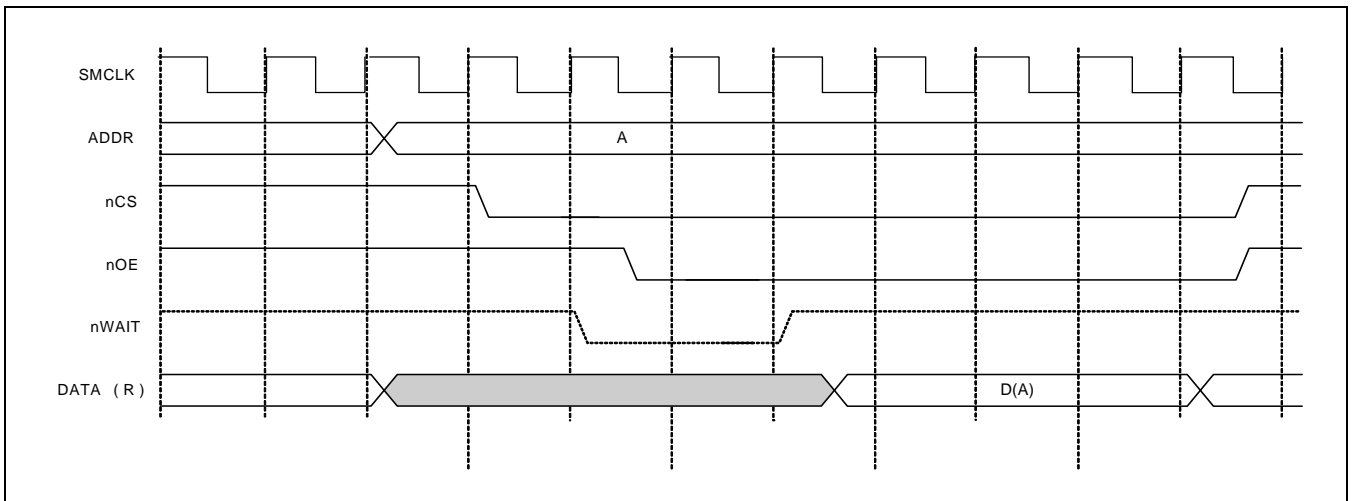


Figure 5-5. Read Timing Diagram (DRnCS = 1, DRnOWE = 1)

3.2 SYNCHRONOUS READ/SYNCHRONOUS BURST READ

Single synchronous read operations have the same control signal timing as an asynchronous read operation, but with different timing requirements for setup and hold relative to the clock. Because the output signals of the SMC are generated internally from clocked logic, the timing for single synchronous reads is the same as for asynchronous reads.

Synchronous burst read transfers are performed differently to asynchronous burst reads, because of the internal address incrementing performed by synchronous burst devices. The PADDR outputs are held with the initial address value, and the PSMAVD output is asserted during the transfer to indicate that the address is valid.

Four, eight, or continuous synchronous burst lengths are supported, and are controlled by the BurstLenRead bits in the Bank Control Register SMBCRx when the SyncEnRead and BMRead bits indicate that the device supports synchronous bursts.

Figure 5-6 shows continuous burst read transfers, where WSTRD = 3 and WSTBRD = 0.

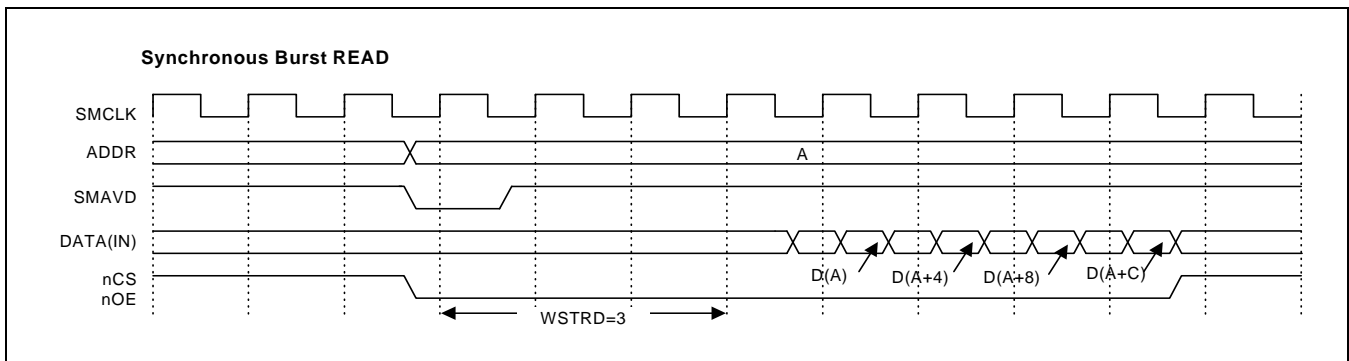


Figure 5-6. External Synchronous Fixed Length Four Transfer Burst Read

3.3 ASYNCHRONOUS WRITE

You can program the delay between the assertion of the chip select and the write enable from 0-15 cycles using the WSTWEN bits of the Bank Write Enable Assertion Delay Control Register, SMBWSTWENRx. This reduces the power consumption for memories. The write enable is asserted on the rising edge of nSMEMCLK, half a clock after the assertion of chip select.

For most asynchronous memory devices an SMEMCLK cycle is required before the assertion of nWE otherwise there is the hazard that nCS changes after nWE. You can add extra cycles before nWE is asserted using the WSTWEN bits in the Bank Write Enable Assertion Delay Control Registers. For example, setting WSTWR=WSTWEN=1 extends the transfer by one cycle and delays the assertion of nWE by one cycle.

The Write enable is always deasserted half a cycle before the chip select, at the end of the transfer. nSMBLS has the same timing as nSMWEN for writes to 8-bit devices that use the byte lane selects instead of the write enables.

The WSTWEN programmed value must be equal to, or less than the WSTWR programmed value otherwise an invalid access sequence is generated. The access is timed by the WSTWR value and not by the WSTWEN value.

In the External Wait enabled mode, the timing of the transfer (controlled by SMWAIT) is not known. WSTWEN still delays the assertion of nSMWEN. nSMWEN is delayed more by the external wait signal if it has not been asserted when SMWAIT is asserted.

You might require the SMADDRVALID signal for synchronous static memory devices when you use it in asynchronous mode. You can disable it using the AddrValidWriteEn bit in the SMBCRx Register. This bit defaults to being set(enable). You can then clear it if you do not require it. When you disable it, the signal is driven HIGH continuously.

Figure 5-7 shows a single external memory write transfer with two write enable delay states, WSTEN=2, and two wait states, WSTWR=2. A single AHB wait state is inserted.

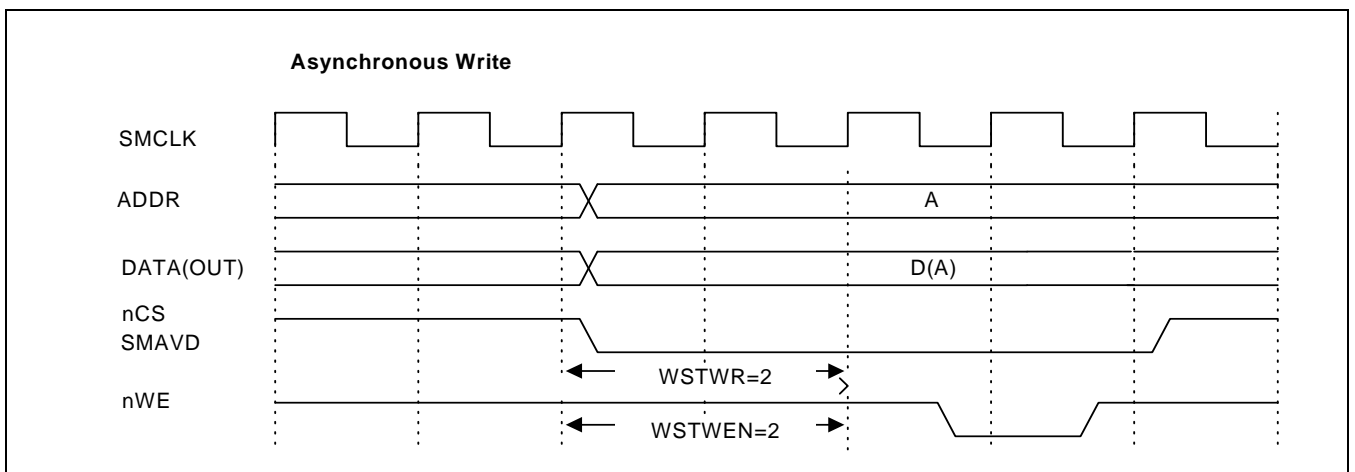


Figure 5-7. External Memory Two Write Enable Delay State Write

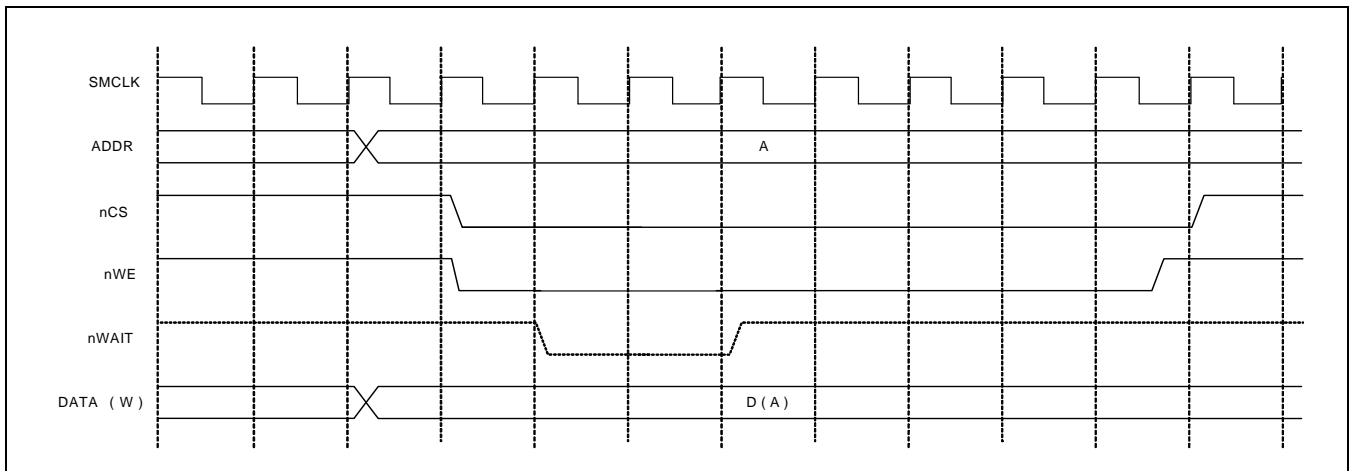


Figure 5-8. Write Timing Diagram (DRnCS = 1, DRnOWE = 0)

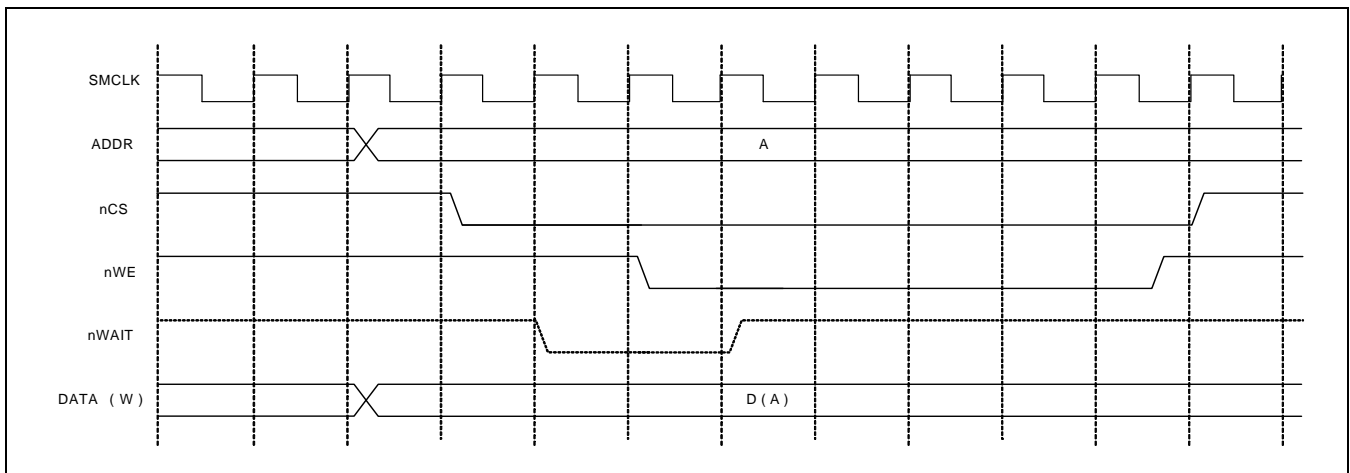


Figure 5-9. Write Timing Diagram (DRnCS = 1, DRnOWE = 1)

3.4 SYNCHRONOUS WRITE/ SYNCHRONOUS BURST WRITE

Figure 5-10 shows an example synchronous write operation. In this example the signal SMADDRVALID provides a one-cycle pulse. This behavior is enabled by setting the SyncWriteDev bit in the SMBCRx register. You must also set the AddrValidWriteEn bit for synchronous write.

The signal PnWE is only active for one cycle. This is active at the start of the transfer unless it is delayed using the control bits WSTWEN to delay it.

Synchronous burst writes are supported by the SMC. There is no write buffer so you must delay the AHB transfer to enable the data to be output onto the SMDATA bus. You can control the write in the same way as reads using the bits AddrValidWriteEn, BurstLenWrite, SyncEnWrite, and BMWrite contained in the Bank Control Register, SMCRx.

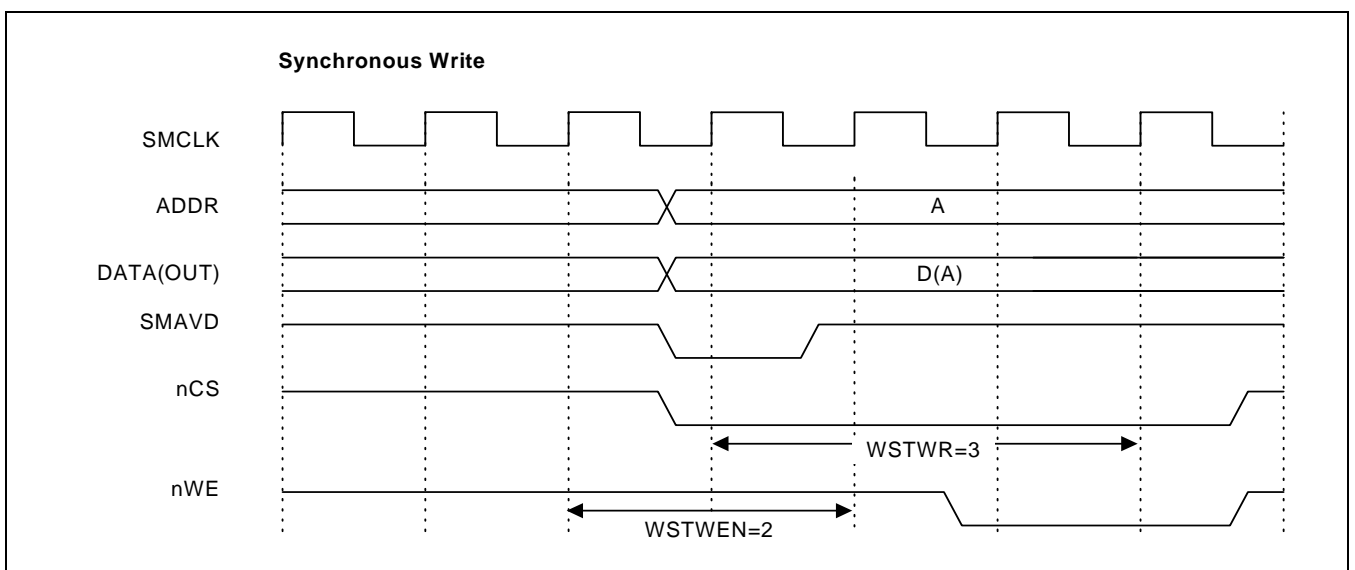


Figure 5-10. Synchronous Two Wait State Write

3.5 BUS TURNAROUND

You can configure the SMC for each memory bank to use external bus turnaround cycles between read and write memory accesses. You can program the IDCY field for up to 15 bus turnaround wait states. This avoids bus contention on the external memory data bus. Bus turnaround cycles are generated between external bus transfers as follows:

- read-to-read, to different memory banks
- read-to-write to the same memory banks
- read-to-write to different memory banks

Figure 5-11 shows a zero wait asynchronous read followed by two zero wait asynchronous writes with two turnaround cycles added. The standard minimum of two AHB wait states are added to the read transfer, one is added to the first write, as for any read-write transfer sequence, and three are added to the second write because of insertion of the two turnaround cycles that are only generated after the first write transfer has been detected, and the standard one wait state added when a write transfer is buffered.

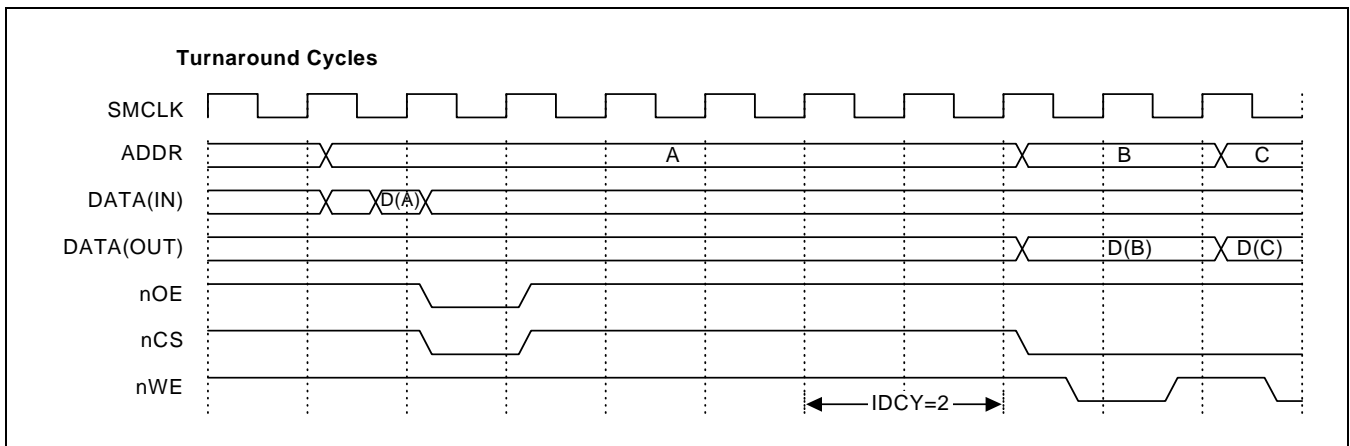
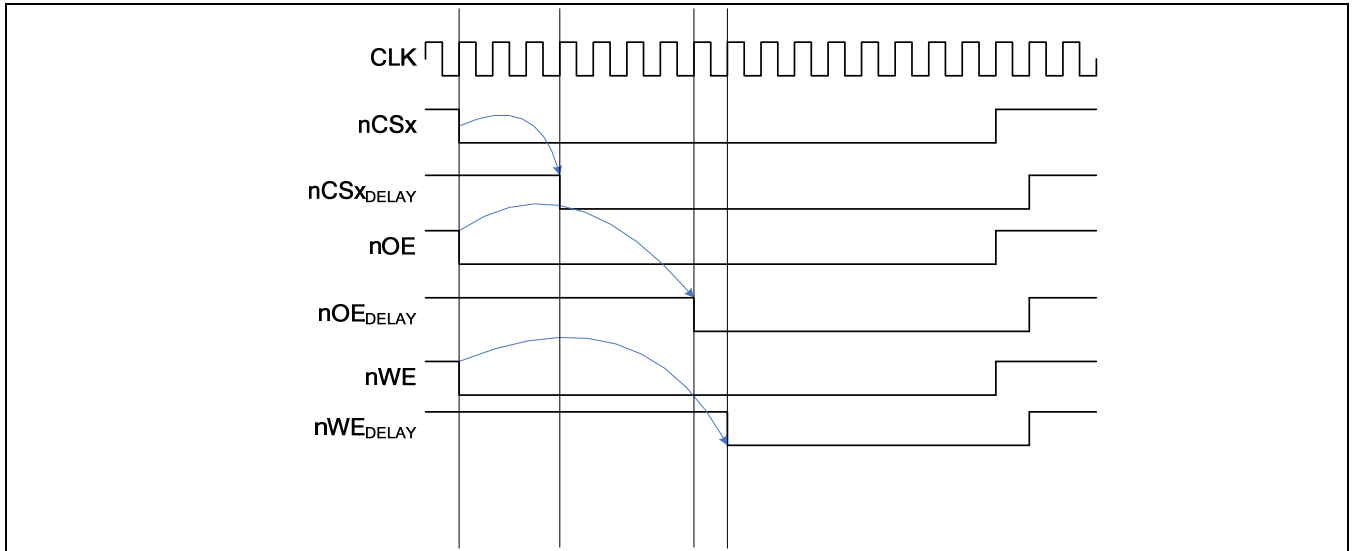


Figure 5-11. Read, then two Writes (WSTRD=WSTWR=0), Two Turnaround Cycles (IDCY=2)

3.5.1 Scenario Examples

ADDR->CS: 3-cycle, CS->OE: 4-cycle, CS->WE: 5-cycle



3.5.2 SRAM Memory Interface Examples

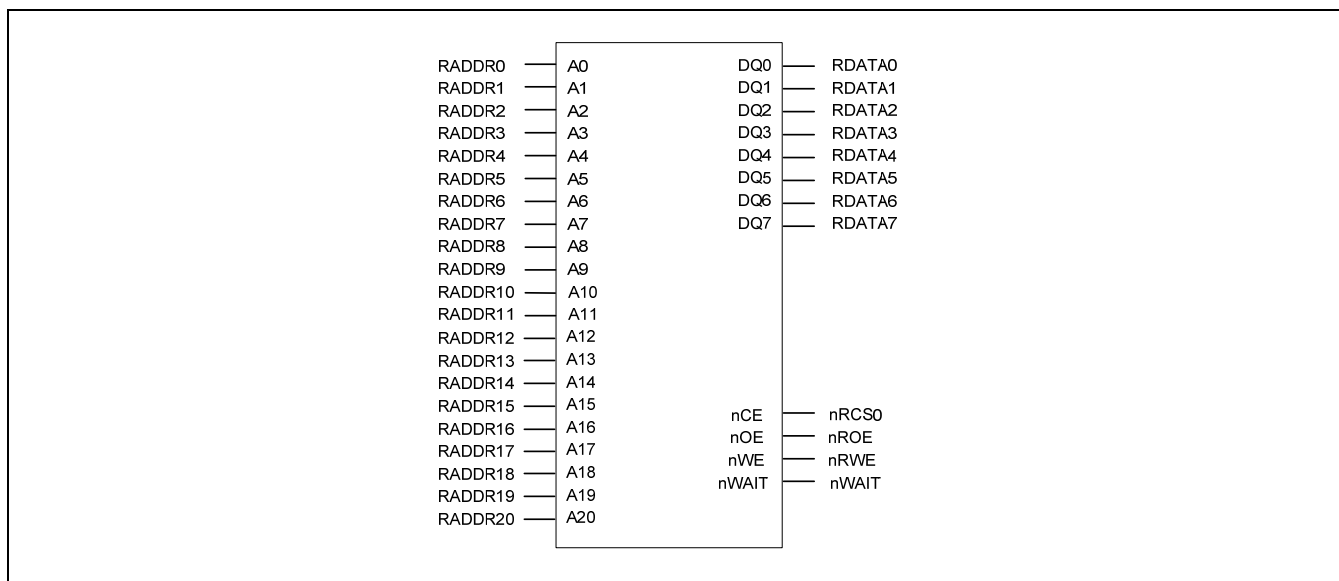


Figure 5-12. Memory Interface with 8-bit SRAM (2MB)

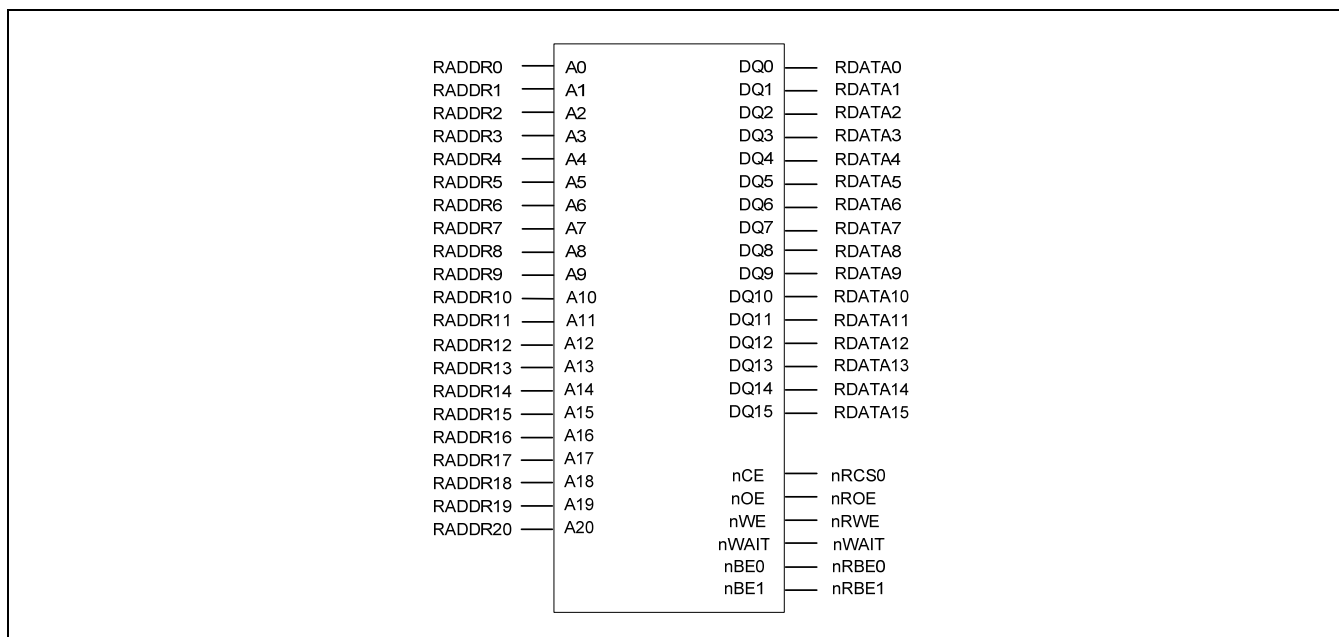


Figure 5-13. Memory Interface with 16-bit SRAM (4MB)

Addr. connection	SRAM/ROM		S3C2416
	8bit data bus	A0	RADDR0
16bit data bus	A0	RADDR0	

4 SPECIAL REGISTERS

4.1 BANK IDLE CYCLE CONTROL REGISTERS 0-5

Register	Address	R/W	Description	Reset Value
SMBIDCYR0	0x4F000000	R/W	Bank0 idle cycle control register	0xF
SMBIDCYR1	0x4F000020	R/W	Bank1 idle cycle control register	0xF
SMBIDCYR2	0x4F000040	R/W	Bank2 idle cycle control register	0xF
SMBIDCYR3	0x4F000060	R/W	Bank3 idle cycle control register	0xF
SMBIDCYR4	0x4F000080	R/W	Bank4 idle cycle control register	0xF
SMBIDCYR5	0x4F0000A0	R/W	Bank5 idle cycle control register	0xF

	Bit	Description	Initial State
	[31:4]	Read undefined. Write as zero.	0x0
IDCY	[3:0]	Idle or turnaround cycles. Default to 1111 at reset. This field controls the number of bus turnaround cycles added between read and write accesses to prevent bus contention on the external memory data bus. Turnaround time = IDCY x SMCLK period	0xF

4.2 BANK READ WAIT STATE CONTROL REGISTERS 0-5

Register	Address	R/W	Description	Reset Value
SMBWSTRDR0	0x4F000004	R/W	Bank0 read wait state control register	0x1F
SMBWSTRDR1	0x4F000024	R/W	Bank1 read wait state control register	0x1F
SMBWSTRDR2	0x4F000044	R/W	Bank2 read wait state control register	0x1F
SMBWSTRDR3	0x4F000064	R/W	Bank3 read wait state control register	0x1F
SMBWSTRDR4	0x4F000084	R/W	Bank4 read wait state control register	0x1F
SMBWSTRDR5	0x4F0000A4	R/W	Bank5 read wait state control register	0x1F

	Bit	Description	Initial State
	[31:5]	Read undefined. Write as zero.	0x0
WSTRD	[4:0]	Read wait state. Defaults to 11111 at reset. For SRAM and ROM, the wSTRD field controls the number of wait states for read accesses, and the external wait assertion timing for reads. For burst ROM, the WSTRD field controls the number of wait states for the first read access only. Wait state time = WSTRD x SMCLK period	0x1F

4.3 BANK WRITE WAIT STATE CONTROL REGISTERS 0-5

Register	Address	R/W	Description	Reset Value
SMBWSTWRR0	0x4F000008	R/W	Bank0 write wait state control register	0x1F
SMBWSTWRR1	0x4F000028	R/W	Bank1 write wait state control register	0x1F
SMBWSTWRR2	0x4F000048	R/W	Bank2 write wait state control register	0x1F
SMBWSTWRR3	0x4F000068	R/W	Bank3 write wait state control register	0x1F
SMBWSTWRR4	0x4F000088	R/W	Bank4 write wait state control register	0x1F
SMBWSTWRR5	0x4F0000A8	R/W	Bank5 write wait state control register	0x1F

	Bit	Description	Initial State
	[31:5]	Read undefined. Write as zero.	0x0
WSTWR	[4:0]	Write wait state. Defaults to 11111 at reset. For SRAM , the WSTWR field controls the number of wait states for write accesses, and the external wait assertion timing for writes. Wait state time = WSTWR x SMCLK period WSTWR does not apply to read-only devices such as ROM.	0x1F

4.4 BANK OUTPUT ENABLE ASSERTION DELAY CONTROL REGISTERS 0-5

Register	Address	R/W	Description	Reset Value
SMBWSTOENR0	0x4F00000C	R/W	Bank0 output enable assertion delay control register	0x2
SMBWSTOENR1	0x4F00002C	R/W	Bank1 output enable assertion delay control register	0x2
SMBWSTOENR2	0x4F00004C	R/W	Bank2 output enable assertion delay control register	0x2
SMBWSTOENR3	0x4F00006C	R/W	Bank3 output enable assertion delay control register	0x2
SMBWSTOENR4	0x4F00008C	R/W	Bank4 output enable assertion delay control register	0x2
SMBWSTOENR5	0x4F0000AC	R/W	Bank5 output enable assertion delay control register	0x2

	Bit	Description	Initial State
	[31:4]	Read undefined. Write as zero.	0x0
WSTOEN	[3:0]	Output enable assertion delay from chip select assertion. Default to 0x2 at reset	0x2

NOTE: If you would use a muxed OneNAND, the register value of WSTOEN should be larger than 2.

4.5 BANK WRITE ENABLE ASSERTION DELAY CONTROL REGISTERS 0-5

Register	Address	R/W	Description	Reset Value
SMBWSTWENR0	0x4F000010	R/W	Bank0 write enable assertion delay control register	0x2
SMBWSTWENR1	0x4F000030	R/W	Bank1 write enable assertion delay control register	0x2
SMBWSTWENR2	0x4F000050	R/W	Bank2 write enable assertion delay control register	0x2
SMBWSTWENR3	0x4F000070	R/W	Bank3 write enable assertion delay control register	0x2
SMBWSTWENR4	0x4F000090	R/W	Bank4 write enable assertion delay control register	0x2
SMBWSTWENR5	0x4F0000B0	R/W	Bank5 write enable assertion delay control register	0x2

	Bit	Description	Initial State
	[31:4]	Read undefined. Write as zero.	0x0
WSTWEN	[3:0]	Write enable assertion delay from chip select assertion. Default to 0x2 at reset	0x2

NOTE: SMBWSTRDRx, SMBWSTWRRx, SMBWSTOENRx and SMBWSTWENRx registers are applied when nWAIT signal is not used (WaitEn bit in SMBCRx is set to '0'). Otherwise, DRnOWE and DRnCS bits in SMBCRx register are applied when nWAIT signal is used (WaitEn bit in SMBCRx is set to '1').

4.6 BANK CONTROL REGISTERS 0-5

Register	Address	R/W	Description	Reset Value
SMBCR0	0x4F000014	R/W	Bank0 control register	See note in p5-17
SMBCR1	0x4F000034	R/W	Bank1 control register	0x303000
SMBCR2	0x4F000054	R/W	Bank2 control register	0x303010
SMBCR3	0x4F000074	R/W	Bank3 control register	0x303000
SMBCR4	0x4F000094	R/W	Bank4 control register	0x303010
SMBCR5	0x4F0000B4	R/W	Bank5 control register	0x303010

	Bit	Description	Initial State
	[31:26]	Read undefined. Write as zero.	0x0
DELAYnCS	[25:22]	Controls the delay between ADDR signal and nCS signal. The field is valid only when DRnCS bit is 1.	0x0
	[21]	not available(should be high)	0x1
AddrValid WriteEn	[20]	Controls the behavior of the signal RSMAMD during write operations: 0 = Signal always HIGH 1 = Signal active for asynchronous and synchronous write accesses (default).	0x1
BurstLenWrite	[19:18]	Burst transfer length. Sets the number of sequential transfers that the burst device supports for a write: 00 = 4-transfer burst (default) 01 = Reserved 10 = Reserved 11 = Reserved	0x0
SyncWriteDev	[17]	0 = Asynchronous device (default). 1 = Synchronous device.	0x0
BMWrite	[16]	Burst mode write: 0 = Nonburst writes to memory devices (default at reset) 1 = Burst mode writes to memory devices.	0x0
DRnOWE	[15]	0 = No delay (default) 1 = Get the delay between nCS signal and nOE/nWE signal. nOE: The number of cycle is defined by SMBWSTOENRx which must be larger than 1. nWE: The number of cycle is defined by SMBWSTWENRx which must be larger than 1. This bit is applied only when nWAIT signal is used.	0x0
Reserved	[14]	Reserved	0x0
Reserved	[13]	not available(should be high)	0x1
AddrValid ReadEn	[12]	Controls the behavior of the signal RSMAMD during read operations: 0 = Signal always HIGH. 1 = Signal active for asynchronous and synchronous read accesses (default).	0x1

	Bit	Description	Initial State
BurstLen Read	[11:10]	Burst transfer length. Sets the number of sequential transfers that the burst device supports for a read: 00 = 4-transfer burst. 01 = 8-transfer burst. 10 = 16-transfer burst. 11 = Reserved	0x0
SyncReadDev	[9]	Synchronous access capable device connected. Access the device using synchronous accesses for reads: 0 = Asynchronous device (default). 1 = Synchronous device.	0x0
BMRead	[8]	Burst mode read and asynchronous page mode: 0 = Nonburst reads from memory devices (default at reset). 1 = Burst mode reads from memory devices.	0x0
DRnCS	[7]	0 = No delay (default) 1 = Get the delay between ADDR signal and nCS signal. The number of cycle is defined by DELAYnCS field of SMBCRx. This bit is applied only when nWAIT signal is used.	0x0
SMBLSPOL	[6]	Polarity of signal nBE: 0 = Signal is active LOW (default). 1 = Signal is active HIGH.	0x0
MW	[5:4]	Memory width: 00 = 8-bit. 01 = 16-bit. 10 = Reserved. 11 = Reserved. Defaults to different values at reset for each bank. For SMBCR0, reset value is set according to OM. (See table 1-4)	See note in p5-17
Reserved	[3]	Reserved	0x0
WaitEn	[2]	External memory controller wait signal enable: 0 = The SMC is not controlled by the external wait signal (default at reset). 1 = The SMC looks for the external wait input signal, nWAIT.	0x0
WaitPol	[1]	Polarity of the external wait input for activation: 0 = The nWAIT signal is active LOW (default at reset). 1 = The nWAIT signal is active HIGH.	0x0
RBLE	[0]	Read byte lane enable: 0 = nBE[1:0] all deasserted HIGH during system reads from external memory. This is for 8-bit devices where the byte lane enable is connected to the write enable pin so you must deassert it during a read (default at reset). The nBE signals act as write enables in this configuration. 1 = nBE[1:0] all asserted LOW during system reads from external memory. This is for 16 or 32-bit devices where you use the separate write enable signal, and you must hold the byte lane selects asserted during a read. The nBE signal acts as the write enable in this configuration.	0x0

NOTE: Initial value of SMBCR0 is 0x303010 or 0x303000 according to OM value(See table 1-4), because the memory width, MW, of the booting memory is determined by OM.

4.7 BANK ONENAND TYPE SELECTION REGISTER

Register	Address	R/W	Description	Reset Value
SMBONETYPER	0x4F000100	R/W	SMC Bank OneNAND type selection register	0x0

	Bit	Description	Initial State
	[31:6]	Read undefined.	0x0
BANK5TYPE	[5]	0 = DEMUXED OneNAND 1 = MUXED OneNAND	0x0
BANK4TYPE	[4]	0 = DEMUXED OneNAND 1 = MUXED OneNAND	0x0
BANK3TYPE	[3]	0 = DEMUXED OneNAND 1 = MUXED OneNAND	0x0
BANK2TYPE	[2]	0 = DEMUXED OneNAND 1 = MUXED OneNAND	0x0
BANK1TYPE	[1]	0 = DEMUXED OneNAND 1 = MUXED OneNAND	0x0
	[0]	Reserved	0x0

NOTE: Type of bank0 OneNAND is determined by OM[4:2] signals (See table 1-4).

4.8 SMC STATUS REGISTER

Register	Address	R/W	Description	Reset Value
SMCSR	0x4F000200	R	SMC status register	0x0

	Bit	Description	Initial State
	[31:1]	Read undefined.	0x0
WaitStatus	[0]	External wait status, read: 0 = nWAIT deasserted. 1 = nWAIT asserted. After an externally waited transfer that was terminated early, this bit value can detect when nWAIT is deasserted. At all other times, this bit reads zero.	0x0

4.9 SMC CONTROL REGISTER

Register	Address	R/W	Description	Reset Value
SMCCR	0x4F000204	R/W	SMC control register	0x3

	Bit	Description	Initial State
	[31:2]	Read undefined. Write as zero.	0x0
MemClkRatio	[1]	Defines the ratio of SMCLK to HCLK: 0 = SMCLK = HCLK. 1 = SMCLK = HCLK/2.	0x1
SMClockEn	[0]	SMCLK enable: 0 = Clock only active during memory accesses. 1 = Clock always running. Clock stopping saves power by stopping SMCLK when it is not required. If clock stopping is enabled before the memory access, the SMC stops SMCLK on the following conditions: <ul style="list-style-type: none"> • asynchronous read access to asynchronous memory • asynchronous write access to asynchronous memory • asynchronous read access to synchronous memory • asynchronous write access to synchronous memory. 	0x1

NOTES

6

MOBILE DRAM CONTROLLER

1 OVERVIEW

The S3C2416 Mobile DRAM Controller supports three kinds of memory interface - (Mobile) SDRAM and mobile DDR and DDR2. Mobile DRAM controller provides 2 chip select signals (2 memory banks), these are used for up to 2 (mobile) SDRAM banks or 2 mobile DDR banks or 2 DDR2 banks. Mobile DRAM controller can't support 3 kinds of memory interface simultaneous, for example one bank for (mobile) SDRAM and one bank for mobile DDR.

Mobile DRAM controller has the following features:

- Support little endian
- Mobile DDR SDRAM and (Mobile) SDRAM
 - Supports 32-bit for SDRAM and 16-bit data bus interface for mDDR and DDR2.
 - Address space: up to 128Mbyte
 - Supports 2 banks: 2-nCS (chip selection)
 - 16-bit Refresh Timer
 - Self Refresh Mode support (controlled by power management)
 - Programmable CAS Latency
 - Provide Write buffer: 8-word size
 - Provide pre-charge and active power down mode
 - Provide power save mode
 - Support extended MRS for mobile DRAM)
 - ◆ DS, TSCR, PASR
- DDR2 Features
 - Support DDR2 having 4-bank architecture, don't support 8-bank architecture.
 - Support 16-bit external data bus interface
 - Support AL(Additive Latency) 0, don't support posted CAS, it needs EMRS setting.
 - Don't support ODT and nDQS function, it needs EMRS setting.
 - All other features are same to the features of SDR/mDDR

2 BLOCK DIAGRAM

Follow Figure 6-1 shows the block diagram of Mobile DRAM Controller

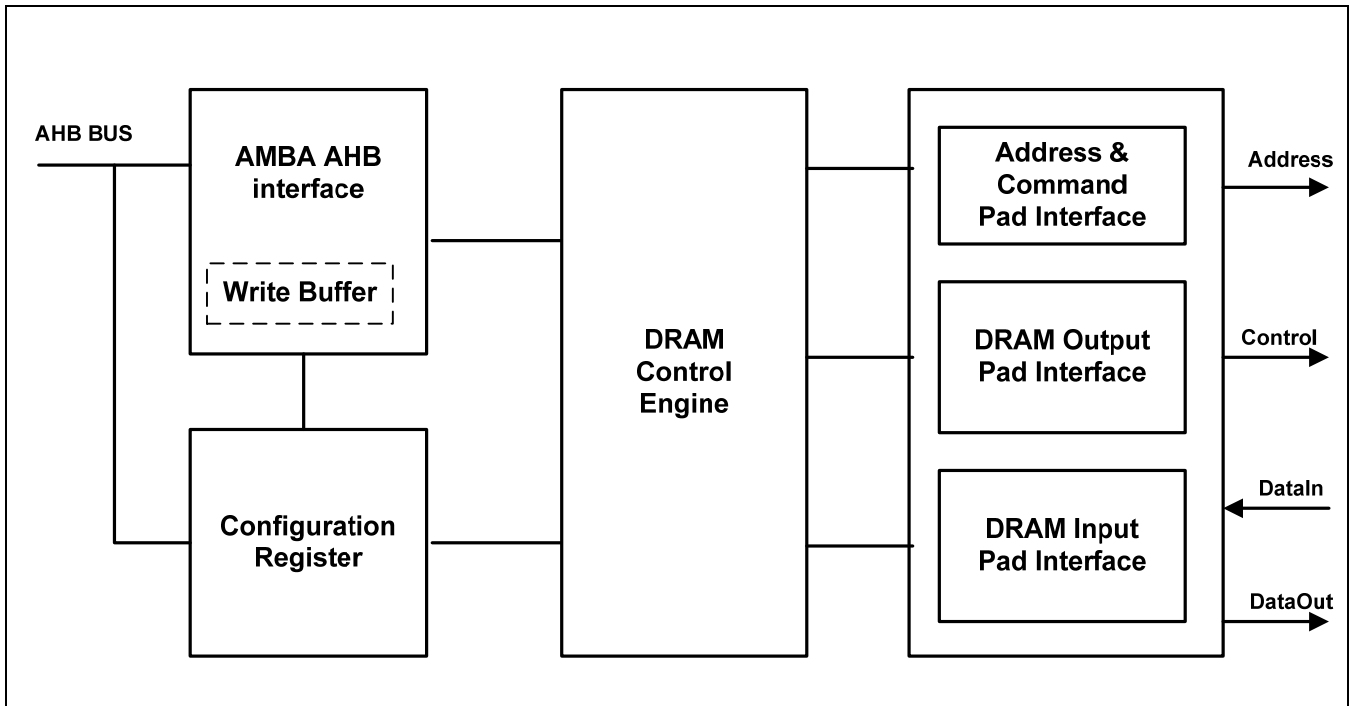


Figure 6-1. Mobile DRAM Controller Block Diagram

3 MOBILE DRAM INITIALIZATION SEQUENCE

On power-on reset, software must initialize the memory controller and the mobile DRAM connected to the controller. Refer to the mobile DRAM(SDRAM or mDDR or DDR2) data sheet for the start up procedure, and example sequences are given below:

3.1 MOBILE DRAM(SDRAM OR MOBILE DDR) INITIALIZATION SEQUENCE

1. Wait 200us to allow DRAM power and clock stabilize.
2. Setting the Configuration Register0. This is for MRS and EMRS command to DRAM.
3. Program the configuration register1, and 3 to their normal operation values
4. Program the INIT[1:0] to '01b'. This automatically issues a PALL(pre-charge all) command to the DRAM.
5. Write '0xff' into the refresh timer register. This provides a refresh cycle every 255-clock cycles.
6. Wait minimum 2 auto-refresh cycle; DRAM requires minimum 2 auto-refresh cycle.
7. Program the INIT[1:0] of Control Register1 to '10b'. This automatically issues a MRS command to the DRAM
8. Program the normal operational value(auto-refresh ducy cycle) into the refresh timer.
9. Program the INIT[1:0] of Control Register1 to '11b'. This automatically issues a EMRS command to the Mobile DRAM, It's only needed for Mobile DRAM.
10. Program the INIT[1:0] to '00b'. The controller enters the normal mode.
11. The external DRAM is now ready for normal operation.

3.2 DDR2 INITIALIZATION SEQUENCE

1. Setting the BANKCFG & BANKCON1, 2, 3
2. Wait 200us to allow DRAM power and clock stabilize.
3. Wait minimum of 400 ns then issue a PALL(pre-charge all) command.
Program the INIT[1:0] to '01b'. This automatically issues a PALL(pre-charge all) command to the DRAM.
4. Issue an EMRS command to EMR(2), provide LOW to BA0, High to BA1.
Program the INIT[1:0] of Control Register1 to '11b' & BANKCON3[31]='1b'
5. Issue an EMRS command to EMR(3), provide High to BA0 and BA1.
Program the INIT[1:0] of Control Register1 to '11b' & BANKCON3[31:30]='11b'
6. Issue an EMRS to enable DLL and RDQS, nDQS, ODT disable.
7. Issue a Mode Register Set command for DLL reset.(To issue DLL Reset command, provide HIGH to A8 and LOW to BA0-BA1, and A13-A15.) Program the INIT[1:0] to '10b'. & BANKCON3[8]='1b'
8. Issue a PALL(pre-charge all) command.
Program the INIT[1:0] to '01b'. This automatically issues a PALL(pre-charge all) command to the DRAM.
9. Issue 2 or more auto-refresh commands.
10. Issue a MRS command with LOW to A8 to initialize device operation.
Program the INIT[1:0] to '10b'. & BANKCON3[8]='0b'
11. Wait 200 clock after step 7, execute OCD Calibration.
12. The external DRAM is now ready for normal operation

3.2.1 (Mobile) SDRAM Memory Interface Examples

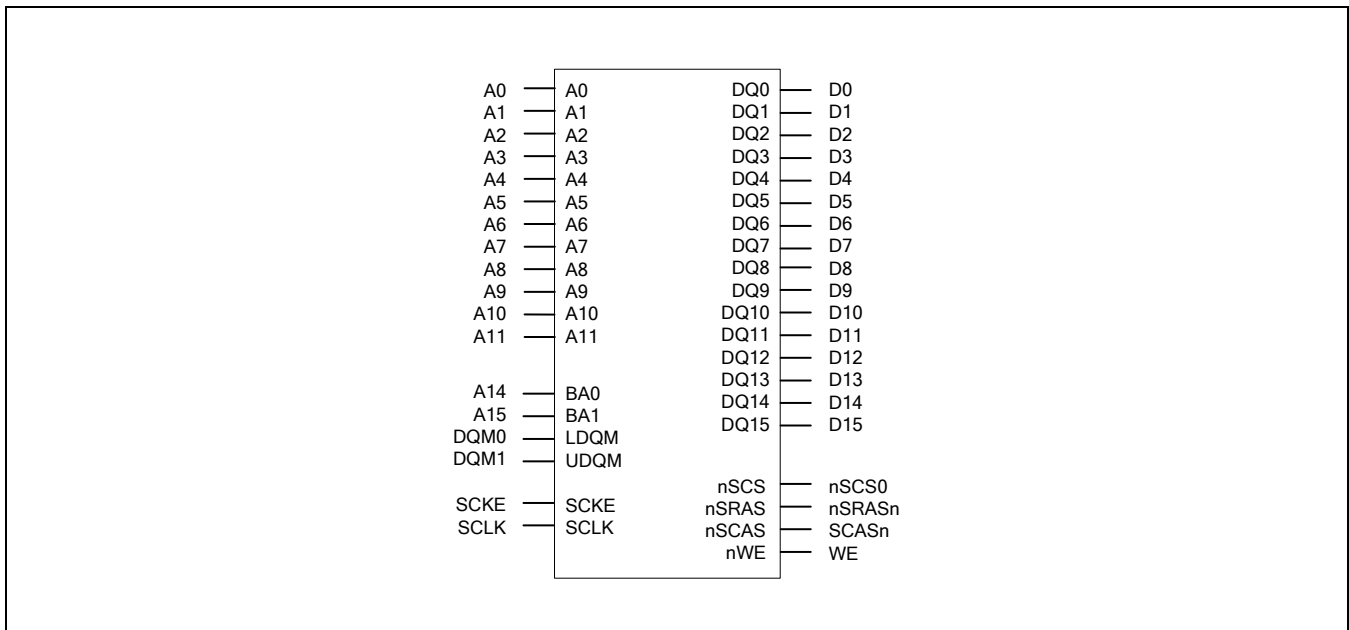


Figure 6-2. Memory Interface with 16-bit SDRAM (4Mx16, 4banks)

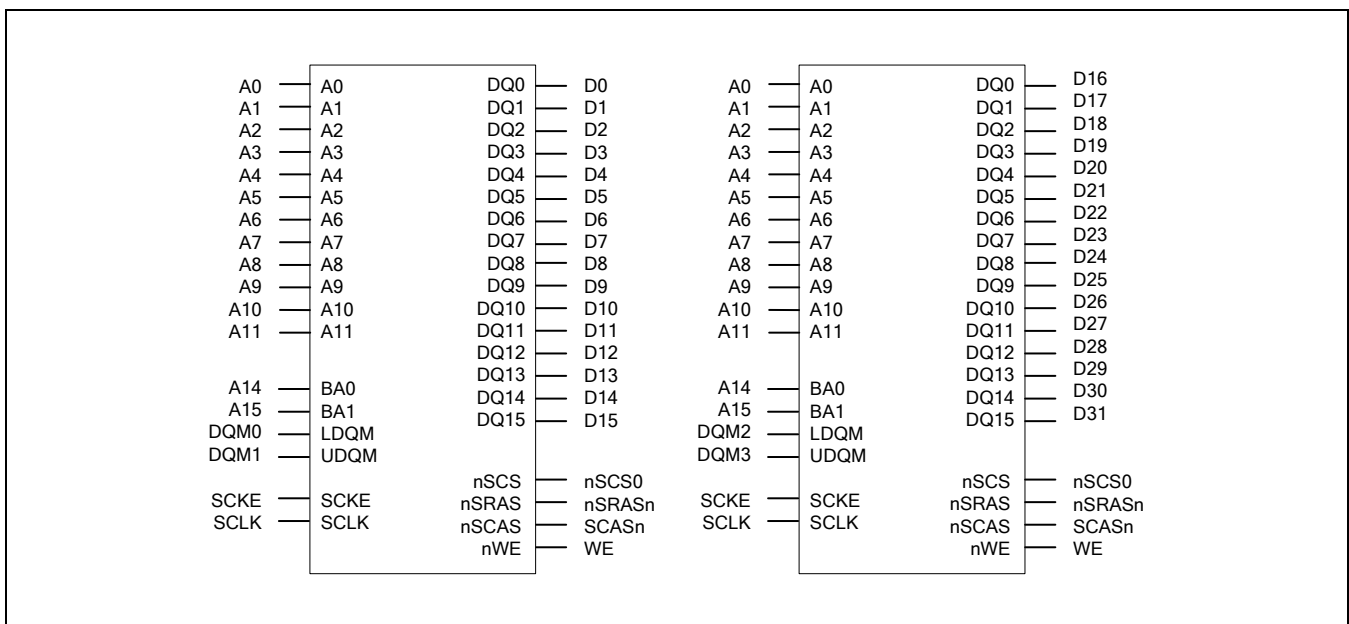


Figure 6-3. Memory Interface with 32-bit SDRAM (4Mx16 * 2ea, 4banks)

3.2.2 Mobile DDR (and DDR2) Memory Interface Examples

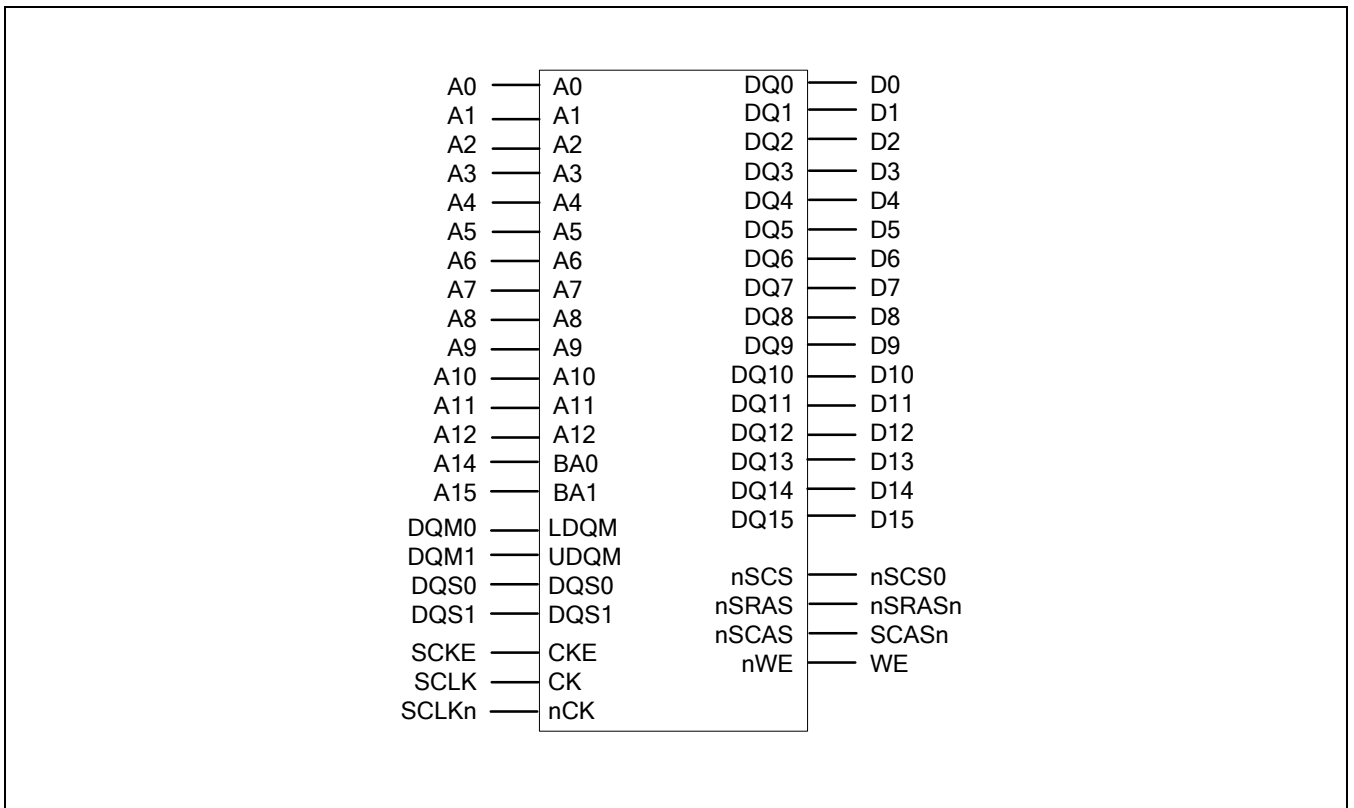


Figure 6-4. Memory Interface with 16-bit Mobile DDR and DDR2

3.2.3 Supported Programmable Timing Parameters

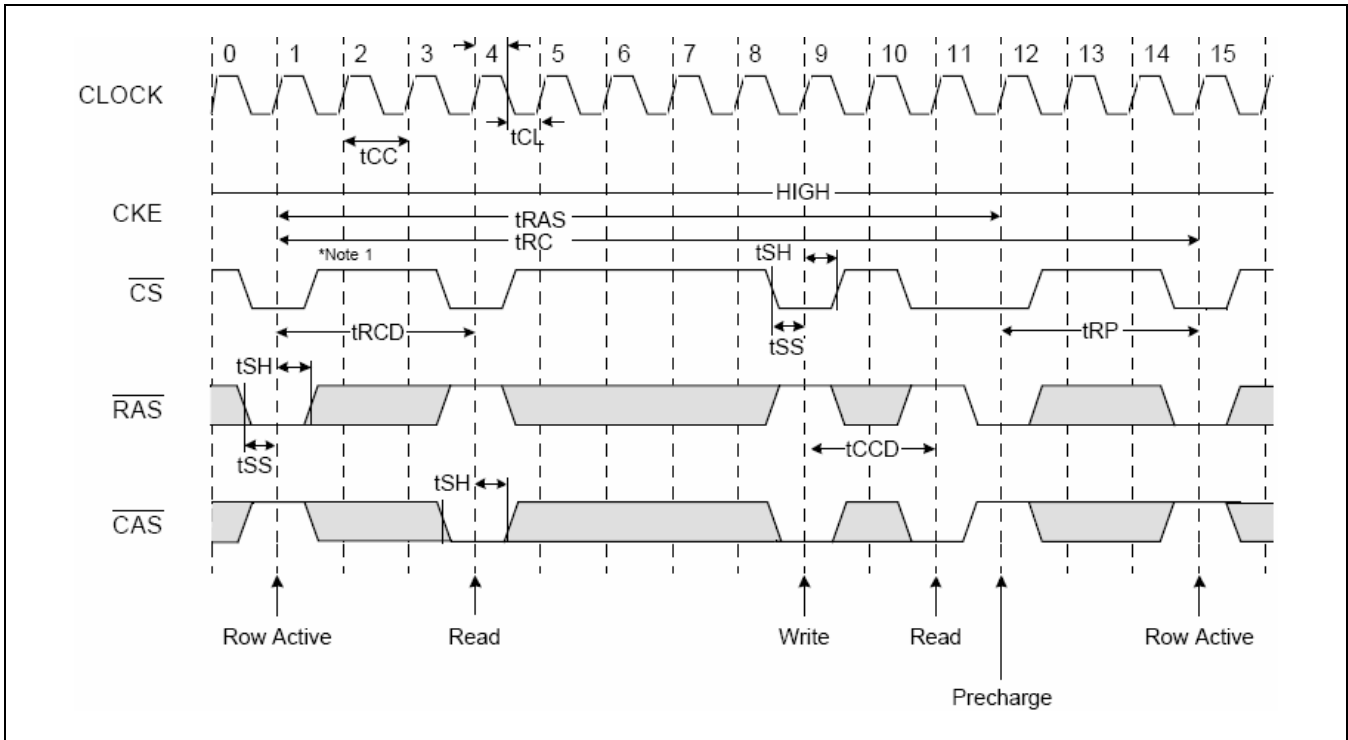


Figure 6-5. DRAM Timing Diagram

Figure 6-5 shows a timing diagram of DRAM. There are many timing parameters provided by DRAM. And DRAMC only provides some timing parameters to support various DRAM memories, like SDR, mobile DDR and DDR2.

tARFC and tRP are programmable, so you can also control the tRAS period by using these parameters. And the delay from RAS to CAS is determined by tRCD. And CL(CAS Latency) is also programmable. The timing diagram of CL (CAS Latency) is like Figure 6-6.

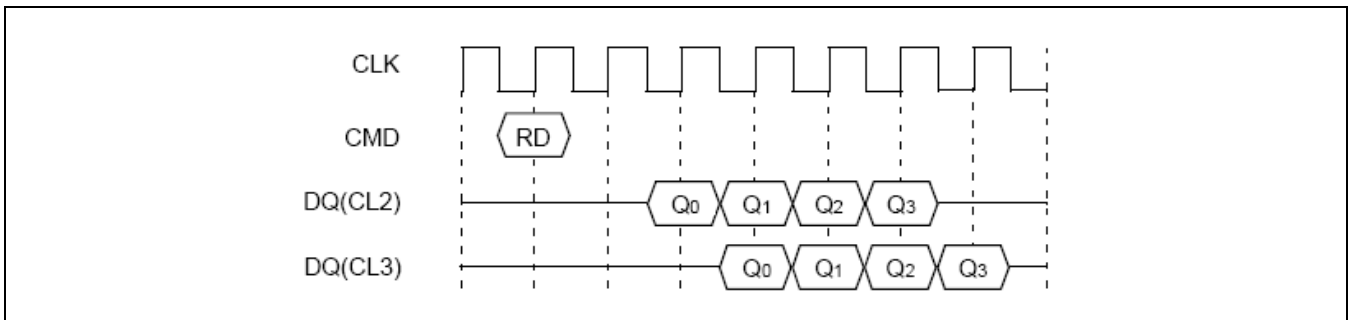


Figure 6-6. CL (CAS Latency) Timing Diagram

DRAMC also needs tARFC timing parameter to control of the timing for auto-refresh to CMD and self-refresh to CMD period. The Figure 6-7 shows the tARFC timing diagram.

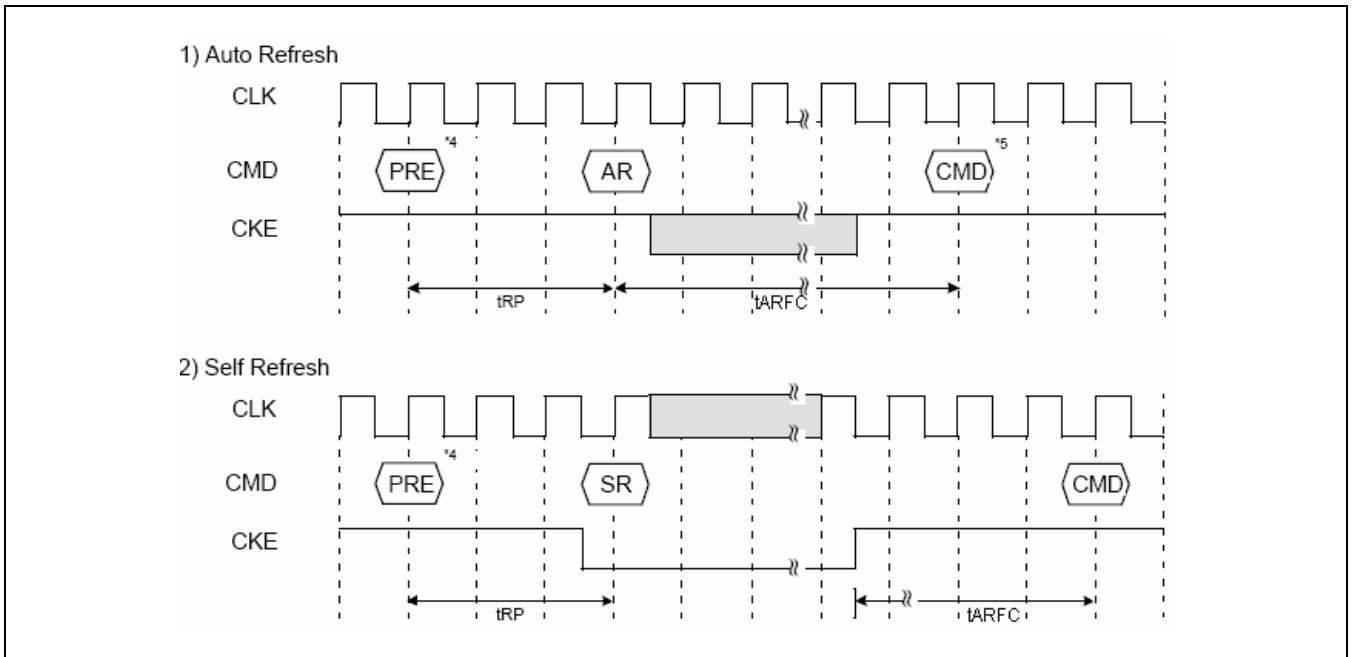


Figure 6-7. tARFC Timing Diagram

3.3 MOBILE DRAM CONFIGURATION REGISTER

Register	Address	R/W	Description	Reset Value
BANKCFG	0x48000000	R/W	Mobile DRAM configuration register	0x0000_000C

BANKCFG	Bit	Description	Initial State
Reserved	[31:19]	Reserved	0x0000
RASBW0	[18:17]	The bit width of RAS (row) address of bank 0 00 = 11-bit 01 = 12-bit 10 = 13-bit 11 = 14-bit	00b
Reserved	[16]	Reserved	0b
RASBW1	[15:14]	The bit width of RAS (row) address of bank 1 00 = 11-bit 01 = 12-bit 10 = 13-bit 11 = 14-bit	00b
Reserved	[13]	Reserved	0b
CASBW0	[12:11]	The bit width of CAS (column) address of bank 0 00 = 8-bit 01 = 9-bit 10 = 10-bit 11 = 11-bit Note: DDR2 memory interface can not support 8-bit CAS address width.	00b
Reserved	[10]	Reserved	0b
CASBW1	[9:8]	The bit width of CAS (column) address of bank 1 00 = 8-bit 01 = 9-bit 10 = 10-bit 11 = 11-bit Note: DDR2 memory interface can not support 8-bit CAS address width.	00b
ADDRCFG0	[7:6]	Memory address configuration of 00 = {BA, RAS, CAS} 01 = {RAS, BA, CAS}	0b
ADDRCFG1	[5:4]	Memory address configuration 00 = {BA, RAS, CAS} 01 = {RAS, BA, CAS}	0b
MEMCFG	[3:1]	000 = SDR 001 = DDR2 010 = mSDR 110 = mDDR 011 = 100 = 101 = 111 = Reserved	110b
BW	[0]	Determine external memory data bus width 0 = 32-bit 1 = 16-bit	0b

3.4 MOBILE DRAM CONTROL REGISTER

Register	Address	R/W	Description	Reset Value
BANKCON1	0x48000004	R/W	Mobile DRAM control register	0x4400_0040

BANKCON	Bit	Description	Initial State
BUSY	[31]	DRAM controller status bit (read only) 0 = IDLE 1 = BUSY	0b
DQSInDLL*	[30:28]	DQSIn Delay selection Should be set '3'	100b
Reserved	[27:26]	Should be '1'	01b
Reserved	[25:8]	Should be '1'	0
BStop	[7]	Read Burst stop control 0 = Not support Read Burst Stop 1 = Support Read Burst Stop Note: This function is only valid in mDDR interface.	0b
WBUF	[6]	Write buffer control 0 = Disable 1 = Enable Note: Disabling the write buffer will flush any stored values to the external DRAM memory.	1b
AP	[5]	Auto pre-charge control 0 = Enable auto pre-charge 1 = Disable auto pre-charge Note: If PWRDN is enabled, then AP=0 provides pre-charge power down and AP=1 provides active power down.	0b
PWRDN	[4]	0 = Not support DRAM power down control 1 = Support DRAM power down control	0b
Reserved	[3:2]	Reserved	00b
INIT	[1:0]	DRAM initialization control 00 = Normal operation 01 = Issue PALL command 10 = Issue MRS command 11 = Issue EMRS command	00b

3.5 MOBILE DRAM TIMMING CONTROL REGISTER

Register	Address	R/W	Description	Reset Value
BANKCON2	0x48000008	R/W	Mobile DRAM timing control register	0x0099_003F

TIMECON	Bit	Description	Initial State
Reserved	[31:24]	Reserved	0x00
tRAS	[23:20]	Row active time 0000 = 1-clock 0001 = 2-clock 0010 = 3-clock 0011 = 4-clock 0100 = 5-clock 0101 = 6-clock 0110 = 7-clock 0111 = 8-clock 1000 = 9-clock 1001 = 10-clock 1010 = 11-clock 1011 = 12-clock 1100 = 13-clock 1101 = 14-clock 1110 = 15-clock 1111 = 16-clock	1001b
tARFC	[19:16]	Self-refresh or Auto-refresh to next command cycle time 0000 = 1-clock 0001 = 2-clock 0010 = 3-clock 0011 = 4-clock 0100 = 5-clock 0101 = 6-clock 0110 = 7-clock 0111 = 8-clock 1000 = 9-clock 1001 = 10-clock 1010 = 11-clock 1011 = 12-clock 1100 = 13-clock 1101 = 14-clock 1110 = 15-clock 1111 = 16-clock	1001b
Reserved	[15:6]	Reserved	0x000
CAS Latency	[5:4]	CAS Latency Control 00 = Reserved 01 = 1-clock 10 = 2-clock 11 = 3-clock	011b
tRCD	[3:2]	RAS to CAS delay 00 = 1-clock 01 = 2-clock 10 = 3-clock 11 = 4-clock	11b
tRP	[1:0]	Row pre-charge time 00 = 1-clock 01 = 2-clock 10 = 3-clock 11 = 4-clock	11b

3.6 MOBILE DRAM (EXTENDED) MODE REGISTER SET REGISTER

Register	Address	R/W	Description	Reset Value
BANKCON3	0x4800000C	R/W	Mobile DRAM (E)MRS Register	0x8000_0003

3.6.1 mSDRAM / mDDR

PnBANKCON	Bit	Description	Initial State
BA	[31:30]	Bank address for EMRS	10b
Reserved	[29:23]	Should be '0'	0000000b
DS	[22:21]	DS(Driver Strength) for EMRS	00b
Reserved	[20:19]	Should be '0'	00b
PASR	[18:16]	PASR(Partial Array Self Refresh) for EMRS	000b
BA	[15:14]	Bank address for MRS	0b
Reserved	[15:7]	Should be '0'	000000000b
CAS Latency	[6:4]	CAS Latency for MRS 00 = Reserved 01 = 1-clock 10 = 2-clock 11 = 3-clock	000b
Burst Type	[3]	DRAM Burst Type (Read Only) Only support sequential burst type.	0b
Burst Length	[2:0]	DRAM Burst Length (Read Only) This value is determined internally.	011b

NOTE: Bit[15:0] is used for MRS command cycle, and Bit[31:16] is for EMRS command cycle. You can program this register as memory type you are using. Each 16-bit exactly map the (E)MRS register bit location. Refer to memory data sheet.

3.6.2 DDR2 Memory MRS[15:0] and EMRS(1)[31:16]

PnBANKCON	Bit	Description	Initial State
BA	[31:30]	Bank address for EMRS	10b
Reserved	[29]	Should be '0'	0b
Qoff	[28]	0 = Output buffer enable 1 = Output buffer disable	0b
RDQS	[27]	0 = Disable 1 = Enable	0b
nDQS	[26]	0 = Enable 1 = Disable	0b
OCD program	[25:23]	Refer to DDR2 spec.	000b
Additive latency	[21:19]	Refer to DDR2 spec.	000b
Rtt	[22] [18]	00 = ODT disable 01 = 75Ω 10 = 150Ω 11 = 50Ω	00b
D.I.C	[17]	0 = Full strength 1 = Reduced strength	0b
DLL enable	[16]	0 = Enable 1 = Disable	0b
Reserved	[15:13]	Should be '0'	000b
Active Power down exit time	[12]	0 = Fast exit 1 = Slow exit	0b
WR	[11:9]	Write recovery for auto pre-charge	000b
DLL Reset	[8]	0 = No 1 = Yes	0b
TM	[7]	0 = Normal 1 = Test	0b
CAS Latency	[6:4]	CAS Latency for MRS 00 = Reserved 01 = 1-clock 10 = 2-clock 11 = 3-clock	000b
Burst Type	[3]	DRAM Burst Type (Read Only) Only support sequential burst type.	0b
Burst Length	[2:0]	DRAM Burst Length (Read Only) This value is determined internally.	011b

3.6.3 DDR2 Memory EMRS(2)[31:16]

PnBANKCON	Bit	Description	Initial State
BA	[31:30]	Bank address for EMRS	10b
Reserved	[29:24]	Should be '0'	000000b
SRF	[23]	High Temperature Self-Refresh Rate Enable 0 = Disable 1 = Enable	0b
Reserved	[22:20]	Should be '0'	000b
DCC	[19]	0 = Disable 1 = Enable	0b
PASR	[18:16]	PASR(Partial Array Self Refresh) for EMRS(2)	000b

3.6.4 DDR2 Memory EMRS(3)[31:16]

PnBANKCON	Bit	Description	Initial State
BA	[31:30]	Bank address for EMRS	10b
Reserved	[29:16]	Should be '0'	0x0

3.7 MOBILE DRAM REFRESH CONTROL REGISTER

Register	Address	R/W	Description	Reset Value
REFRESH	0x48000010	R/W	Mobile DRAM refresh control register	0x0000_0020

REFRESH	Bit	Description	Initial State
Reserved	[31:16]	Reserved	0x0000
REFCYC	[15:0]	DRAM refresh cycle. Example: Refresh period is 15.6us, and HCLK is 66MHz. The value of REFCYC is as follows: $\text{REFCYC} = 15.6 \times 10^{-6} \times 66 \times 10^6 = 1029$	0x0020

3.8 MOBILE DRAM WRITE BUFFER TIME OUT REGISTER

A write to an enabling write buffer loads the value in the timeout register into the timeout down counter of the buffer. When the timeout counter reaches 0 the contents of the write buffer are flushed to the external DRAM. The down counter is clocked HCLK. Writing a value of 0 in the TIMEOUT register disables the write buffer timeout function.

Register	Address	R/W	Description	Reset Value
TIMEOUT	0x48000014	R/W	Write Buffer Time out control register	0x0000_0000

TIMEOUT	Bit	Description	Initial State
Reserved	[31:16]	Reserved	0x0000
TIMEOUT	[15:0]	Write buffer time-out delay time	0x0000

7 NAND FLASH CONTROLLER

1 OVERVIEW

S3C2416 boot code can be executed on an external NAND flash memory. The S3C2416 is equipped with an internal SRAM buffer called 'Steppingstone'. This supports NAND flash boot loader. When you use IROM boot and select nand flash as boot device, first 8 KB of the NAND flash memory will be loaded in the Steppingstone by IROM and the boot code will be executed in the steppingstone.

Generally, In IROM boot, the boot code will copy NAND flash content to SDRAM. At that time IROM uses 8Bit ECC and the NAND flash data will be checked valid or not. After the NAND flash content is copied to SDRAM, main program will be executed on SDRAM.

To use NAND Flash Device, The OM and the GPC5/6/7 configuration should be set to use IROM boot and select proper nand device type. Nand Boot written below is boot device in IROM boot. Refer to IROM application Note for more information. S3C2416 supports nand boot by using IROM boot mode.

2 FEATURES

NAND flash controller features include:

1. Auto boot by: The boot code is transferred into 8-KB Steppingstone after reset. After the boot code is transferred, boot code will be executed on the Steppingstone.
Note: IROM boot support 8Bit ECC correction on Nand device booting
2. NAND Flash memory I/F: Support 512Bytes, 2KB and 4KB Page.
3. Software mode: User can directly access NAND flash memory. *for example this feature can be used in read/erase/program NAND flash memory.*
4. Interface: 8-bit NAND flash memory interface bus.
5. Hardware ECC generation, detection and indication (Software correction).
6. Support both SLC and MLC NAND flash memory: 1-bit ECC, 4-bit and 8-bit ECC for NAND flash.
7. SFR I/F: Support Byte/half word/word access to Data and ECC Data register, and Word access to other registers
8. SteppingStone I/F: Support Byte/half word/word access.
9. The Steppingstone 64-KB internal SRAM buffer can be used for another purpose after NAND flash booting.

3 BLOCK DIAGRAM

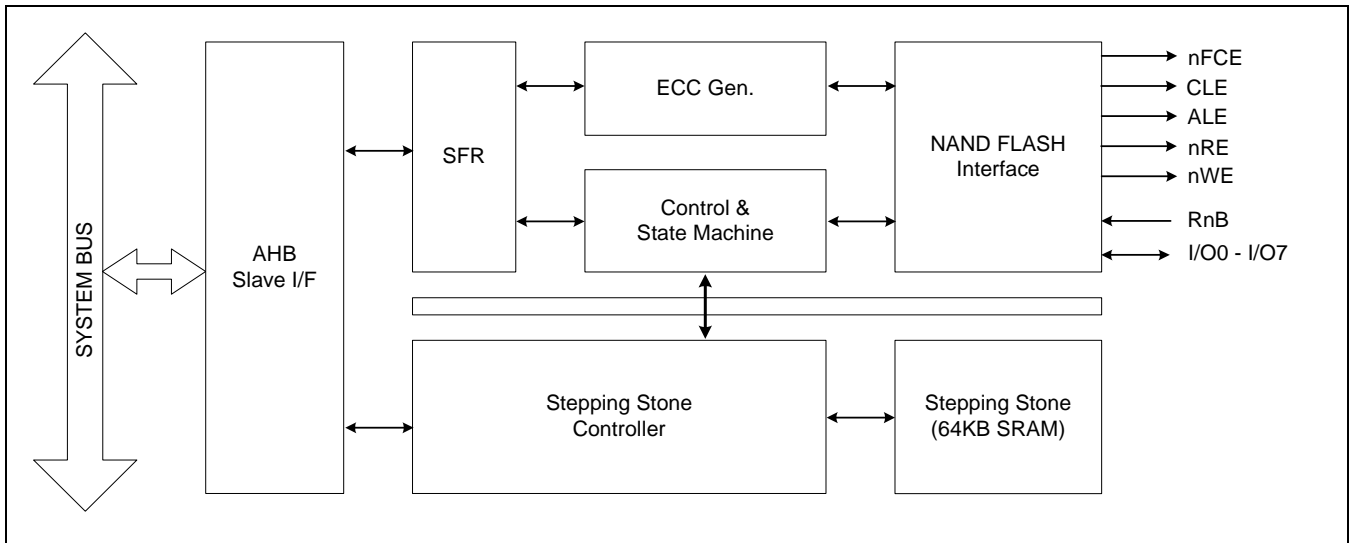


Figure 7-1. NAND Flash Controller Block Diagram

4 BOOT LOADER FUNCTION

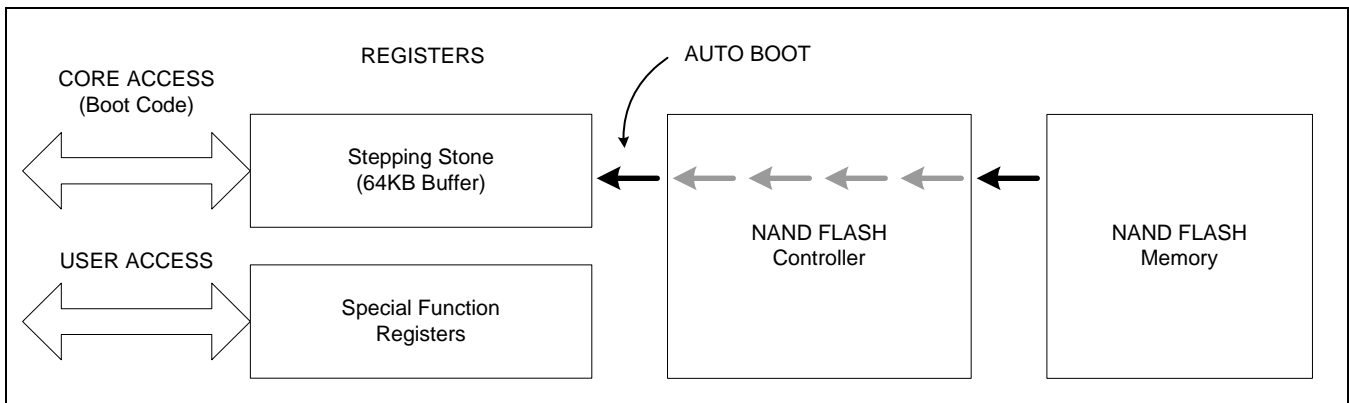


Figure 7-2. NAND Flash Controller Boot Loader Block Diagram

During reset, the IROM gets the information about the adopted NAND flash memory by using the pin status of GPC5/6/7 (refer to **Pin Configuration**). In case of POR(Power-On-Reset) or system reset, the IROM automatically loads the 8-KB boot-loader codes into the steppingstone(0x40000000). After finishing the migration of the boot-loader codes, the codes in steppingstone will be executed.

NOTE

In case of IROM boot mode, the ECC-checking for boot-loader code will be done. Therefore, 0 block of NAND flash should be valid block by 8Bit ECC.

5 GPC5/6/7 PIN CONFIGURATION TABLE IN IROM BOOT MODE

	Page	Address Cycle	GPC7 [2]	GPC6 [1]	GPC5 [0]
MMC(MoviNAND/iNand)	-	-	0	0	0
Reserved	-	-	0	0	1
Nand	512	3	0	1	0
		4	0	1	1
	2048	4	1	0	0
		5	1	0	1
	4096	5	1	1	0

Above configuration is applicable when NAND Flash is used as booting memory in IROM boot mode. If NAND Flash is not used as boot memory, the configuration can be changed by setting NFCON SFR 'NFCONF' (0x4E000000). PageSize, PageSize_Ext and AddrCycle are fields in NFCONF(0x4E000000).

6 NAND FLASH MEMORY TIMING

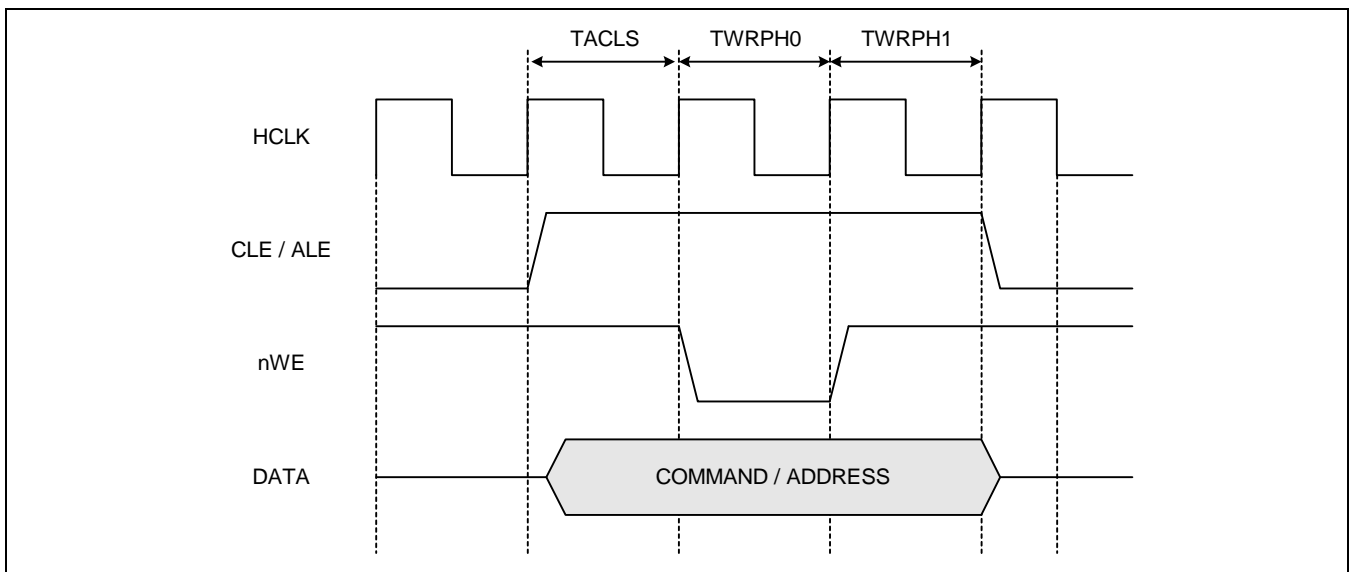


Figure 7-3. CLE & ALE Timing (TACLS=1, TWRPH0=0, TWRPH1=0) Block Diagram

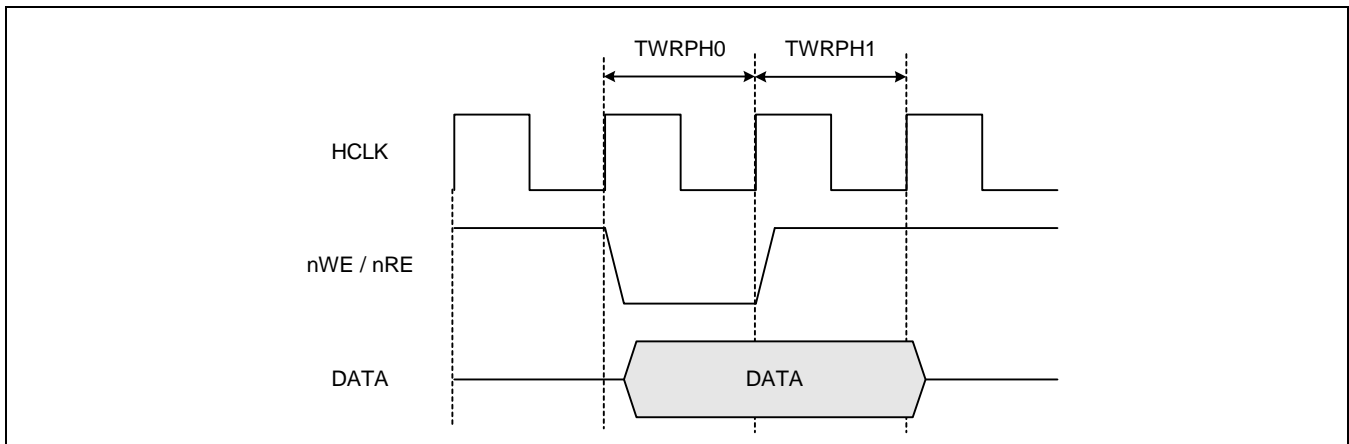


Figure 7-4. nWE & nRE Timing (TWRPH0=0, TWRPH1=0) Block Diagram

7 NAND FLASH ACCESS

S3C2416 does not support NAND flash access mechanism directly. It only supports signal control mechanism for NAND flash access. Therefore software is responsible for accessing NAND flash memory correctly.

1. Writing to the command register (NFCMMD) = the NAND Flash Memory command cycle
2. Writing to the address register (NFADDR) = the NAND Flash Memory address cycle
3. Writing to the data register (NFDATA) = write data to the NAND Flash Memory (write cycle)
4. Reading from the data register (NFDATA) = read data from the NAND Flash Memory (read cycle)
5. Reading main ECC registers and Spare ECC registers (NFMECCD0/1, NFSECCD) = read data from the NAND Flash Memory

NOTE

In NAND flash access, you must check the RnB status input pin by polling the signal or using interrupt.

8 DATA REGISTER CONFIGURATION

8.1.1 8-bit NAND Flash Memory Interface

A. Word Access

Register	Bit [31:24]	Bit [23:16]	Bit [15:8]	Bit [7:0]
NFDATA	4 th I/O[7:0]	3 rd I/O[7:0]	2 nd I/O[7:0]	1 st I/O[7:0]

B. Half-word Access

Register	Bit [31:24]	Bit [23:16]	Bit [15:8]	Bit [7:0]
NFDATA	Invalid value	Invalid value	2 nd I/O[7:0]	1 st I/O[7:0]

C. Byte Access

Register	Bit [31:24]	Bit [23:16]	Bit [15:8]	Bit [7:0]
NFDATA	Invalid value	Invalid value	Invalid value	1 st I/O[7:0]

9 STEPPINGSTONE (8KB IN 64KB SRAM)

The NAND Flash controller uses Steppingstone as the buffer on booting and also you can use this area for various other purpose.

10 1BIT / 4BIT / 8BIT ECC (ERROR CORRECTION CODE)

NAND flash controller has four ECC (Error Correction Code) modules for 1 bit ECC, one for 4bit ECC and one for 8bit ECC.

The 1bit ECC modules for main data area can be used for (up to) 2048 bytes ECC parity code generation, and 1 bit ECC module for spare area can be used for (up to) 4 bytes ECC Parity code generation.

Both 4bit and 8bit ECC modules can be used for only 512 bytes ECC parity code generation.

4 bit and 8bit ECC modules generate the parity codes for each 512 byte. However, 1 bit ECC modules generate parity code per byte lane separately.

10.1 ECC MODULE FEATURES

ECC generation is controlled by the ECC Lock (MainECCLock, SpareECCLock) bit of the Control register. When ECCLock is Low, ECC codes are generated by the H/W ECC modules.

10.1.1 1-BIT ECC Register Configuration

Following tables shows the configuration of 1-bit ECC value read from spare area of external NAND flash memory. For comparing to ECC parity code generated by the H/W modules, each ECC data read from memory must be written to NFMECCDn for main area and NFSECCD for spare area.

NOTE

4-bit ECC decoding scheme is different to 1-bit ECC.

1. NAND Flash Memory Interface

Register	Bit [31:24]	Bit [23:16]	Bit [15:8]	Bit [7:0]
NFMECCD0	Not used	2 nd ECC for I/O[7:0]	Not used	1 st ECC for I/O[7:0]
NFMECCD1	Not used	4 th ECC for I/O[7:0]	Not used	3 rd ECC for I/O[7:0]

Register	Bit [31:24]	Bit [23:16]	Bit [15:8]	Bit [7:0]
NFSECCD	Not used	2 nd ECC for I/O[7:0]	Not used	1 st ECC for I/O[7:0]

10.2 1-BIT ECC PROGRAMMING ENCODING AND DECODING

1. To use 1-bit ECC in software mode, reset the ECCType to '0' (enable 1-bit ECC). ECC module generates ECC parity code for all read / write data when MainECCLock (NFCONT[7]) and SpareECCLock (NFCONT[6]) are unlocked('0'). You must reset ECC value by writing the InitMECC (NFCONT[5]) and InitSECC (NFCONT[4]) bit as '1' and have to clear the MainECCLock (NFCONT[7]) bit to '0'(Unlock) before read or write data.
MainECCLock (NFCONT[7]) and SpareECCLock(NFCONT[6]) bit controls whether ECC Parity code is generated or not.
2. Whenever data is read or written, the ECC module generates ECC parity code on register NFMECC0/1.
3. After you complete read or write one page (does not include spare area data), Set the MainECCLock bit to '1' (Lock). ECC Parity code is locked and the value of the ECC status register will not be changed.
4. To generate spare area ECC parity code, Clear SpareECCLock (NFCONT[6]) bit to '0' (unlock).
5. Whenever data is read or written, the spare area ECC module generates ECC parity code on register NFSECC.
6. After you complete read or write spare area, set the SpareECCLock bit to '1' (Lock). ECC Parity code is locked and the value of the ECC status register will not be changed.
7. From now on, you can use these values to record to the spare area or check the bit error.
8. For example, to check the bit error of main data area on page read operation, after generating of ECC codes for main data area, you have to move the ECC parity codes (is stored to spare area) to NFMECCD0 and NFMECCD1. From this time, the NFECERR0 have the valid error status values.

NOTE

NFSECCD is for the ECC value in spare area. Usually, the user will write the ECC value generated from main data area to Spare area, which value will be the same as NFMECC0/1.

10.3 4-BIT ECC PROGRAMMING GUIDE (ENCODING)

1. To use 4-bit ECC in software mode, set the MsgLength to 0(512-byte message length) and set the ECCType to '1'(enable 4-bit ECC). ECC module generates ECC parity code for 512-byte write data. So, you have to reset ECC value by writing the InitMECC (NFCONT[5]) bit as '1' and have to clear the MainECCLock (NFCONT[7]) bit to '0'(Unlock) before write data.
MainECCLock (NFCONT[7]) bit controls whether ECC Parity code is generated or not.
2. Whenever data is written, the 4-bit ECC module generates ECC parity code internally.
3. After you finish writing 512-byte data (not include spare area data), the parity codes are automatically updated to NFMECC0, NFMECC1 register. If you use 512-byte NAND flash memory, you can program these values to spare area. However, if you use NAND flash memory more than 512-byte page, you can't program immediately. In this case, you have to copy these parity codes to other memory like DRAM. After writing all main data, you can write the copied ECC values to spare area.
The parity codes have self-correctable information include parity code itself.
4. To generate spare area ECC parity code, set the MsgLength to 1(24-byte message length), and set the ECCType to '1'(enable 4-bit ECC). ECC module generates ECC parity code for 24-byte write data. So you have to reset ECC value by writing the InitMECC (NFCONT[5]) bit as '1' and have to clear the MainECCLock (NFCONT[7]) bit to '0'(Unlock) before write data.
MainECCLock (NFCONT[7]) bit controls whether ECC Parity code is generated or not.
5. Whenever data is written, the 4-bit ECC module generates ECC parity code internally.
6. When you finish writing 24-byte meta or extra data, the parity codes are automatically updated to NFMECC0, NFMECC1 register. You can program these parity codes to spare area.
The parity codes have self-correctable information include parity code itself.

10.4 4-BIT ECC PROGRAMMING GUIDE (DECODING)

- To use 4-bit ECC, set the `MsgLength` to 0(512-byte message length) and set the `ECCType` to '1'(enable 4-bit ECC). ECC module generates ECC parity code for 512-byte read data. So, you have to reset ECC value by writing the `InitMECC` (`NFCNT[5]`) bit as '1' and have to clear the `MainECCLock` (`NFCNT[7]`) bit to '0'(Unlock) before read data.
`MainECCLock` (`NFCNT[7]`) bit controls whether ECC Parity code is generated or not.
- Whenever data is read, the 4-bit ECC module generates ECC parity code internally.
- After you complete read 512-byte (does not include spare area data), you have to read parity codes. 4-bit ECC module needs parity codes to detect whether error bits are or not. So you have to read ECC parity code right after read 512-byte. Once ECC parity code is read, 4-bit ECC engine start to search any error internally. 4-bit ECC error searching engine need minimum 155 cycles to find any error. During this time, you can continue read main data from external NAND flash memory. `ECCDecDone`(`NFSTAT[6]`) can be used to check whether ECC decoding is completed or not.
- When `ECCDecDone` (`NFSTAT[6]`) is set ('1'), `NFECERR0` indicates whether error bit exist or not. If any error exists, you can fix it by referencing `NFECERR0/1` and `NFMLCBITPT` register.
- If you have more main data to read, continue to step 2.
- For meta data error check, set the `MsgLength` to 1(24-byte message length) and set the `ECCType` to '1'(enable 4-bit ECC). ECC module generates ECC parity code for 24-byte read data. So you have to reset ECC value by writing the `InitMECC` (`NFCNT[5]`) bit as '1' and have to clear the `MainECCLock` (`NFCNT[7]`) bit to '0'(Unlock) before read data.
`MainECCLock` (`NFCNT[7]`) bit controls whether ECC Parity code is generated or not.
- Whenever data is read, the 4-bit ECC module generates ECC parity code internally.
- After you complete read 24-byte, you have to read parity codes. 4-bit ECC module needs parity codes to detect whether error bits are or not. So you have to read ECC parity codes right after read 24-byte. Once ECC parity code is read, 4-bit ECC engine start to search any error internally. 4-bit ECC error searching engine need minimum 155 cycles to find any error. During this time, you can continue read main data from external NAND flash memory. `ECCDecDone`(`NFSTAT[6]`) can be used to check whether ECC decoding is completed or not.
- When `ECCDecDone` (`NFSTAT[6]`) is set ('1'), `NFECERR0` indicates whether error bit exist or not. If any error exists, you can fix it by referencing `NFECERR0/1` and `NFMLCBITPT` register.

10.5 8-BIT ECC PROGRAMMING GUIDE (ENCODING)

- To use 8-bit ECC in software mode, set the `MsgLength` to 0(512-byte message length) and set the `ECCType` to "01"(enable 8-bit ECC). ECC module generates ECC parity code for 512-byte write data. In order to start the ECC module, you have to write '1' on the `InitMECC` (`NFCNT[5]`) bit after cleaning the `MainECCLock` (`NFCNT[7]`) bit to '0' (Unlock).
`MainECCLock` (`NFCNT[7]`) bit controls whether ECC Parity code is generated or not.
NOTE: In 8bit ECC, `MainECCLock` should be cleared before initiating `InitMECC`.
- Whenever data is written, the 8bit ECC module generates ECC parity code internally.
- After you finish writing 512-byte data (not include spare area data), the parity codes are automatically updated to `NF8MECC0`, `NFMECC1`, `NF8MECC2`, `NF8MECC3` register. If you use 512-byte NAND flash memory, you can program these values directly to spare area. However, if you use NAND flash memory more than 512-byte page, you can't program immediately. In this case, you have to copy these parity codes to other memory like DRAM. After writing all main data, you can write the copied ECC values to spare area.
 The parity codes have self-correctable information include parity code itself.

4. To generate spare area ECC parity code, set the `MsgLength` to 1(24-byte message length), and set the `ECCType` to "01"(enable 8bit ECC). 8bit ECC module generates the ECC parity code for 24-byte data. In order to initiating the module, you have to write '1' on the `InitMECC` (`NFCONT[5]`) bit after clearing the `MainECCLock` (`NFCONT[7]`) bit to '0'(Unlock).
`MainECCLock` (`NFCONT[7]`) bit controls whether ECC Parity code is generated or not.
NOTE: In 8bit ECC, `MainECCLock` should be cleared before initiating `InitMECC`.
5. Whenever data is written, the 8bit ECC module generates ECC parity code internally.
6. When you finish writing 24-byte meta or extra data, the parity codes are automatically updated to `NF8MECC0`, `NFMECC1`, `NF8MECC2`, `NF8MECC3` register. You can program these parity codes to spare area. The parity codes have self-correctable information include parity code itself.

10.6 8-BIT ECC PROGRAMMING GUIDE (DECODING)

1. To use 8bit ECC in software mode, set the `MsgLength` to 0(512-byte message length) and set the `ECCType` to "01"(enable 8bit ECC). 8bit ECC module generates ECC parity code for 512-byte read data. In order to initiating 8bit ECC module, you have to write '1' on the `InitMECC` (`NFCONT[5]`) bit after clearing the `MainECCLock` (`NFCONT[7]`) bit to '0'(Unlock).
`MainECCLock` (`NFCONT[7]`) bit controls whether ECC Parity code is generated or not.
NOTE: In 8bit ECC, `MainECCLock` should be cleared before `InitMECC`
2. Whenever data is read, the MLC ECC module generates ECC parity code internally.
3. After you complete the reading of 512-byte data (not including spare area data), you must set the `MainECCLock` (`NFCONT[7]`) bit to '1'(Lock) and have to read parity codes. 8bit ECC module needs parity codes to detect whether error bits exists or not. So you have to read the ECC parity code of 512-byte main data right after reading the 512-byte data. Once the ECC parity code is read, 8bit ECC engine starts searching any error internally. 8bit ECC error searching engine needs minimum 372 cycles to find any error. During this time, you can continue reading data from external NAND flash memory. `ECCDecDone`(`NFSTAT[6]`) can be used to check whether ECC decoding is completed or not.
4. When `ECCDecDone` (`NFSTAT[6]`) is set ('1'), `NF8ECCERR0` indicates whether error bit exists or not. If any error exists, you can fix it by referencing `NF8ECCERR0/1/2` and `NFMLC8BITPT0/1` register.
5. If you have more main data to read, continue doing from step 1.
6. For meta data error check, set the `MsgLength` to 1(24-byte message length) and set the `ECCType` to "01"(enable 8bit ECC). ECC module generates the ECC parity code for 24-byte data. In order to initiating the 8bit ECC module, you have to write '1' on the `InitMECC` (`NFCONT[5]`) bit after clearing the `MainECCLock` (`NFCONT[7]`) bit to '0'(Unlock).
`MainECCLock` (`NFCONT[7]`) bit controls whether ECC Parity code is generated or not.
7. Whenever data is read, the 8bit ECC module generates ECC parity code internally.
8. After you complete reading 24-byte, you must set the `MainECCLock` (`NFCONT[7]`) bit to '1'(Lock) and read the parity code for 24-byte data. MLC ECC module needs parity codes to detect whether error bits exists or not. So you have to read ECC parity codes right after reading 24-byte data. Once ECC parity code is read, 8bit ECC engine starts searching any error internally. 8bit ECC error searching engine needs minimum 372 cycles to find any error. During this time, you can continue reading main data from external NAND flash memory. `ECCDecDone`(`NFSTAT[6]`) can be used to check whether ECC decoding is completed or not.
9. When `ECCDecDone` (`NFSTAT[6]`) is set ('1'), `NF8ECCERR0` indicates whether error bit exist or not. If any error exists, you can fix it by referencing `NF8ECCERR0/1/2` and `NF8MLC8BITPT` register.

11 MEMORY MAPPING(NAND BOOT AND OTHER BOOT)

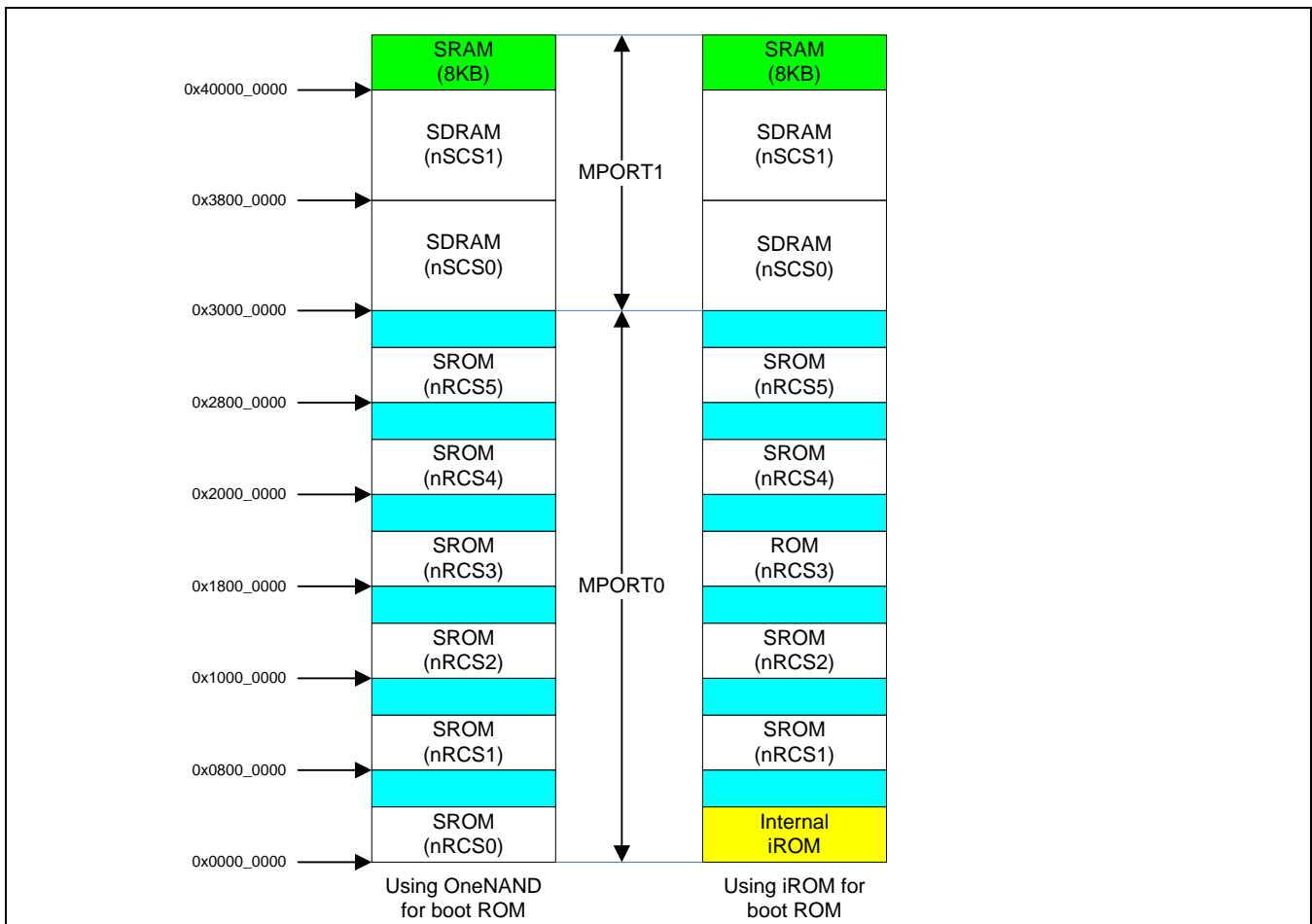


Figure 7-5. NAND Flash Memory Mapping Block Diagram

12 NAND FLASH MEMORY CONFIGURATION

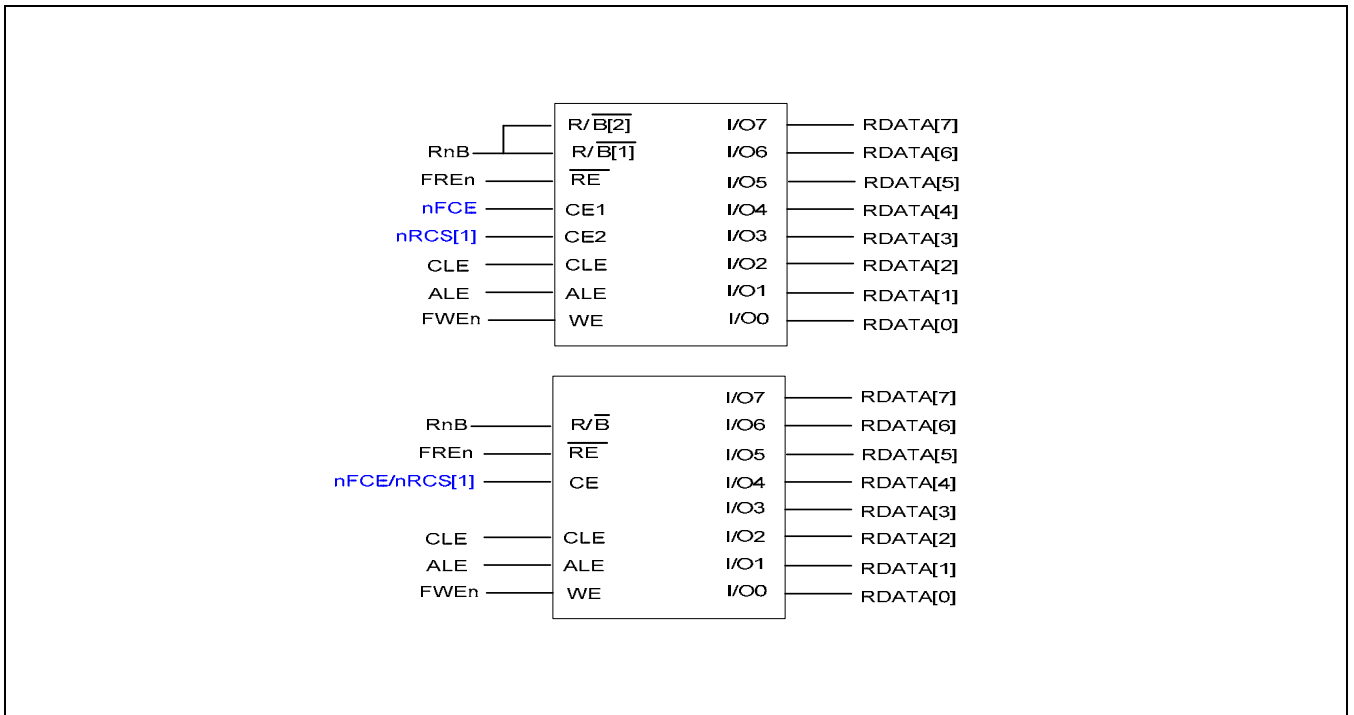


Figure 7-6. A 8-bit NAND Flash Memory Interface Block Diagram

NOTE: NAND CONTROLLER can support to control two nand flash memories .

	NAND CS	Other BOOT
nFCE	NAND CONTROLLER CS0	Configurable
nRCS[1]	NAND CONTROLLER CS1	Configurable

If you want NAND BOOT by IROM, nFCE must be used to boot.

13 NAND FLASH CONTROLLER SPECIAL REGISTERS

13.1 NAND FLASH CONTROLLER REGISTER MAP

Address	R/W	Reset value	Name	Description
Base + 0x00	R/W	0xX000_100X	NFCONF	Configuration register
Base + 0x04	R/W	0x0001_00C6	NFCONT	Control register
Base + 0x08	R/W	0x0000_0000	NFCMMD	Command register
Base + 0x0c	R/W	0x0000_0000	NFADDR	Address register
Base + 0x10	R/W	0xXXXX_XXXX	NFDATA	Data register
Base + 0x14	R/W	0x0000_0000	NFMECCD0	1 st and 2 nd main ECC data register
Base + 0x18	R/W	0x0000_0000	NFMECCD1	3 rd and 4 th main ECC data register
Base + 0x1c	R/W	0x0000_0000	NFSECCD	Spare ECC read register
Base + 0x20	R/W	0x0000_0000	NFSBLK	Programmable start block address register
Base + 0x24	R/W	0x0000_0000	NFEBLK	Programmable end block address register
Base + 0x28	R/W	0x0080_001D	NFSTAT	NAND status registet
Base + 0x2C	R	0xXXXX_XXXX	NFECCERR0	ECC error status0 register
Base + 0x30	R	0x0000_0000	NFECCERR1	ECC error status1 register
Base + 0x34	R	0xXXXX_XXXX	NFMECC0	Generated ECC status0 register
Base + 0x38	R	0xXXXX_XXXX	NFMECC1	Generated ECC status1 register
Base + 0x3C	R	0xXXXX_XXXX	NFSECC	Generated Spare area ECC status register
Base + 0x40	R	0x0000_0000	NFMLCBITPT	4-bit ECC error bit pattern register
Base + 0x44	R	0x4000_0000	NF8ECCERR0	8bit ECC error status0 register
Base + 0x48	R	0x0000_0000	NF8ECCERR1	8bit ECC error status1 register
Base + 0x4C	R	0x0000_0000	NF8ECCERR2	8bit ECC error status2 register
Base + 0x50	R	0xXXXX_XXXX	NFM8ECC0	Generated 8-bit ECC status0 register
Base + 0x54	R	0xXXXX_XXXX	NFM8ECC1	Generated 8-bit ECC status1 register
Base + 0x58	R	0xXXXX_XXXX	NFM8ECC2	Generated 8-bit ECC status2 register
Base + 0x5C	R	0xXXXX_XXXX	NFM8ECC3	Generated 8-bit ECC status3 register
Base + 0x60	R	0x0000_0000	NFMLC8BITPT0	8-bit ECC error bit pattern 0 register
Base + 0x64	R	0x0000_0000	NFMLC8BITPT1	8-bit ECC error bit pattern 1 register
Base = 0x4E00_0000				

13.2 NAND FLASH CONFIGURATION REGISTER

Register	Address	R/W	Description	Reset Value
NFCONF	0x4E000000	R/W	NAND Flash Configuration register	0xX000100X

NFCONF	Bit	Description	Initial State
Reserved	[31]	Reserved	0
Reserved	[30]	Should be 0	0
Reserved	[29:26]	Reserved	0000
MsgLength	[25]	Message (Data) length for 4/8 bit ECC 0 = 512-byte 1 = 24-byte	0
ECCType	[24:23]	This bit indicates what kind of ECC should be used. 00 = 1-bit ECC 10 = 4-bit ECC 01 = 8-bit ECC Note: Don't confuse the value of 4-bit ECC and 8-bit ECC.	H/W Set (CfgBootEcc)
Reserved	[22:15]	Reserved	00000000
TACLS	[14:12]	CLE & ALE duration setting value (0~7) Duration = HCLK x TACLS	001
Reserved	[11]	Reserved	0
TWRPH0	[10:8]	TWRPH0 duration setting value (0~7) Duration = HCLK x (TWRPH0 + 1)	000
Reserved	[7]	Reserved	0
TWRPH1	[6:4]	TWRPH1 duration setting value (0~7) Duration = HCLK x (TWRPH1 + 1)	000
PageSize	[3]	This bit indicates the page size of NAND Flash Memory When PageSize_Ext is 1, the value of PageSize means following: 0 = 512 Bytes/page, 1 = 2048 Bytes/page When PageSize_Ext is 0, the value of PageSize means following: 0 = 2048 Bytes/page, 1 = 4096 Bytes/page	H/W Set (CfgAdvFlash)
PageSize_Ext	[2]	This bit indicated what kind of NAND Flash memory is used. 0 = Large Size NAND Flash 1 = Small Size NAND Flash This bit is determined by OM[2] pin status on reset and wake-up time from sleep mode. This bit can be changed by software later.	1

NFCNF	Bit	Description	Initial State
AddrCycle	[1]	<p>This bit indicates the number of Address cycle of NAND Flash memory.</p> <p>When Page Size is 512 Bytes, 0 = 3 address cycle 1 = 4 address cycle</p> <p>When page size is 2K or 4K, 0 = 4 address cycle 1 = 5 address cycle</p> <p>This bit is determined by OM[1] pin on reset and wake-up time from sleep mode.</p> <p>This bit can be changed by software later.</p>	H/W Set (CfgAddrCycle)
BusWidth	[0]	<p>This bit indicates the I/O bus width of NAND Flash Memory.</p> <p>The value of BusWidth means the followings. 0 = 8-bit bus</p> <p>This bit has no meaning in NAND-boot by IROM, when the I/O bus width is only 8-bit. BusWidth has effects on normal access.. This bit should be 0</p>	H/W Set (CfgBusWidth)

13.3 CONTROL REGISTER

Register	Address	R/W	Description	Reset Value
NFCONT	0x4E000004	R/W	NAND Flash control register	0x000100C6

NFCONT	Bit	Description	Initial State
Reserved	[31:19]	Reserved	0
ECC Direction	[18]	4-bit, 8-bit ECC encoding / decoding control 0 = Decoding 4-bit, 8bit ECC, It is used for page read 1 = Encoding 4-bit, 8-bit ECC, It is be used for page program	0
Lock-tight	[17]	Lock-tight configuration 0 = Disable lock-tight 1 = Enable lock-tight, Once this bit is set to 1, you cannot clear. Only reset or wake up from sleep mode can make this bit disable (cannot cleared by software). When it is set to 1, the area setting in NFSBLK (0x4E000020) to NFEBLK (0x4E000024) is unlocked, and except this area, write or erase command will be invalid and only read command is valid. When you try to write or erase locked area, the illegal access will be occurred (NFSTAT [5] bit will be set). If the NFSBLK and NFEBLK are same, entire area will be locked.	0
Soft Lock	[16]	Soft Lock configuration 0 = Disable lock 1 = Enable lock Soft lock area can be modified at any time by software. When it is set to 1, the area setting in NFSBLK (0x4E000020) to NFEBLK (0x4E000024) is unlocked, and except this area, write or erase command will be invalid and only read command is valid. When you try to write or erase locked area, the illegal access will be occurred (NFSTAT [5] bit will be set). If the NFSBLK and NFEBLK are same, entire area will be locked.	1
Reserved	[15:13]	Reserved. Should be written to 0.	000
EnbECCDecINT	[12]	4-bit, 8-bit ECC decoding completion interrupt control 0 = Disable interrupt 1 = Enable interrupt	0
8bit Stop	[11]	8-bit ECC encoding/decoding operation initialization	0

NFCONT	Bit	Description	Initial State
EnbIllegalAccINT	[10]	Illegal access interrupt control 0 = Disable interrupt 1 = Enable interrupt Illegal access interrupt will occurs when CPU tries to program or erase locking area (the area setting in NFSBLK (0x4E000020) to NFEBLK (0x4E000024)).	0
EnbRnBINT	[9]	RnB status input signal transition interrupt control 0 = Disable RnB interrupt 1 = Enable RnB interrupt	0
RnB_TransMode	[8]	RnB transition detection configuration 0 = Detect rising edge 1 = Detect falling edge	0
MainECCLock	[7]	Lock Main area ECC generation 0 = Unlock Main area ECC 1 = Lock Main area ECC Main area ECC status register is NFMECC0/1(0x4E000034/38),	1
SpareECCLock	[6]	Lock Spare area ECC generation. 0 = Unlock Spare ECC 1 = Lock Spare ECC Spare area ECC status register is NFSECC(0x4E00003C),	1
InitMECC	[5]	1 = Initialize main area ECC decoder/encoder (write-only)	0
InitSECC	[4]	1 = Initialize spare area ECC decoder/encoder (write-only)	0
Reserved	[3]	Reserved	0
Reg_nCE1	[2]	NAND Flash Memory nRCS[1] signal control 0 = Force nRCS[1] to low(Enable chip select) 1 = Force nRCS[1] to High(Disable chip select) Note: Even Reg_nCE1 and Reg_nCE0 are set to zero simultaneously, only one of them is asserted.	1
Reg_nCE0	[1]	NAND Flash Memory nFCE signal control 0 = Force nFCE to low(Enable chip select) 1 = Force nFCE to High(Disable chip select) Note: During boot time, it is controlled automatically. This value is only valid while MODE bit is 1	1
MODE	[0]	NAND Flash controller operating mode 0 = NAND Flash Controller Disable (Don't work) 1 = NAND Flash Controller Enable	0

13.4 COMMAND REGISTER

Register	Address	R/W	Description	Reset Value
NFCMMD	0x4E000008	R/W	NAND Flash command set register	0x00

NFCMMD	Bit	Description	Initial State
Reserved	[31:8]	Reserved	0x00
NFCMMD	[7:0]	NAND Flash memory command value	0x00

13.5 ADDRESS REGISTER

Register	Address	R/W	Description	Reset Value
NFADDR	0x4E00000C	R/W	NAND Flash address set register	0x0000XX00

REG_ADDR	Bit	Description	Initial State
Reserved	[31:8]	Reserved	0x00
NFADDR	[7:0]	NAND Flash memory address value	0x00

13.6 DATA REGISTER

Register	Address	R/W	Description	Reset Value
NFDATA	0x4E000010	R/W	NAND Flash data register	0xFFFF

NFDATA	Bit	Description	Initial State
NFDATA	[31:0]	NAND Flash read/program data value for I/O Note: Refer to Data Register Configuration .	0xFFFF

13.7 MAIN DATA AREA ECC REGISTER

Register	Address	R/W	Description	Reset Value
NFMECCD0	0x4E000014	R/W	NAND Flash ECC 1 st 2 nd register for main area data read Note: Refer to ECC Module Features .	0x00000000
NFMECCD1	0x4E000018	R/W	NAND Flash ECC 3 rd 4 th register for main area data read Note: Refer to ECC Module Features .	0x00000000

NFMECCD0	Bit	Description	Initial State
Reserved	[31:24]	Not used	0x00
ECCData1	[23:16]	ECC1 for I/O[7:0]	0x00
Reserved	[15:8]	Not used	0x00
ECCData0	[7:0]	ECC0 for I/O[7:0]	0x00

NOTE: Only word access is valid.

NFMECCD1	Bit	Description	Initial State
Reserved	[31:24]	Not used	0x00
ECCData3	[23:16]	ECC3 for I/O[7:0]	0x00
Reserved	[15:8]	Not used	0x00
ECCData2	[7:0]	ECC2 for I/O[7:0]	0x00

13.8 SPARE AREA ECC REGISTER

Register	Address	R/W	Description	Reset Value
NFSECCD	0x4E00001C	R/W	NAND Flash ECC(Error Correction Code) register for spare area data read	0x00000000

NFSECCD	Bit	Description	Initial State
Reserved	[31:24]	Not used	0x00
SECCData1	[23:16]	2 nd Spare area ECC for I/O[7:0]	0x00
Reserved	[15:8]	Not used	0x00
SECCData0	[7:0]	1 st Spare area ECC for I/O[7:0]	0x00

NOTE: Only word or half word access is valid.

13.9 PROGRAMMABLE BLOCK ADDRESS REGISTER

Register	Address	R/W	Description	Reset Value
NFSBLK	0x4E000020	R/W	NAND Flash programmable start block address	0x000000
NFEBLK	0x4E000024	R/W	NAND Flash programmable end block address Nand Flash can be programmed between start and end address. When the Soft lock or Lock-tight is enabled and the Start and End address has same value, Entire area of NAND flash will be locked.	0x000000

NFSBLK	Bit	Description	Initial State
Reserved	[31:24]	Reserved	0x00
SBLK_ADDR2	[23:16]	The 3 rd block address of the block erase operation	0x00
SBLK_ADDR1	[15:8]	The 2 nd block address of the block erase operation	0x00
SBLK_ADDR0	[7:0]	The 1 st block address of the block erase operation (Only bit [7:5] are valid)	0x00

NFEBLK	Bit	Description	Initial State
Reserved	[31:24]	Reserved	0x00
EBLK_ADDR2	[23:16]	The 3 rd block address of the block erase operation	0x00
EBLK_ADDR1	[15:8]	The 2 nd block address of the block erase operation	0x00
EBLK_ADDR0	[7:0]	The 1 st block address of the block erase operation (Only bit [7:5] are valid)	0x00

The NFSLK and NFEBLK can be changed while Soft lock bit(NFCONT[16]) is enabled. But cannot be changed when Lock-tight bit(NFCONT[17]) is set.

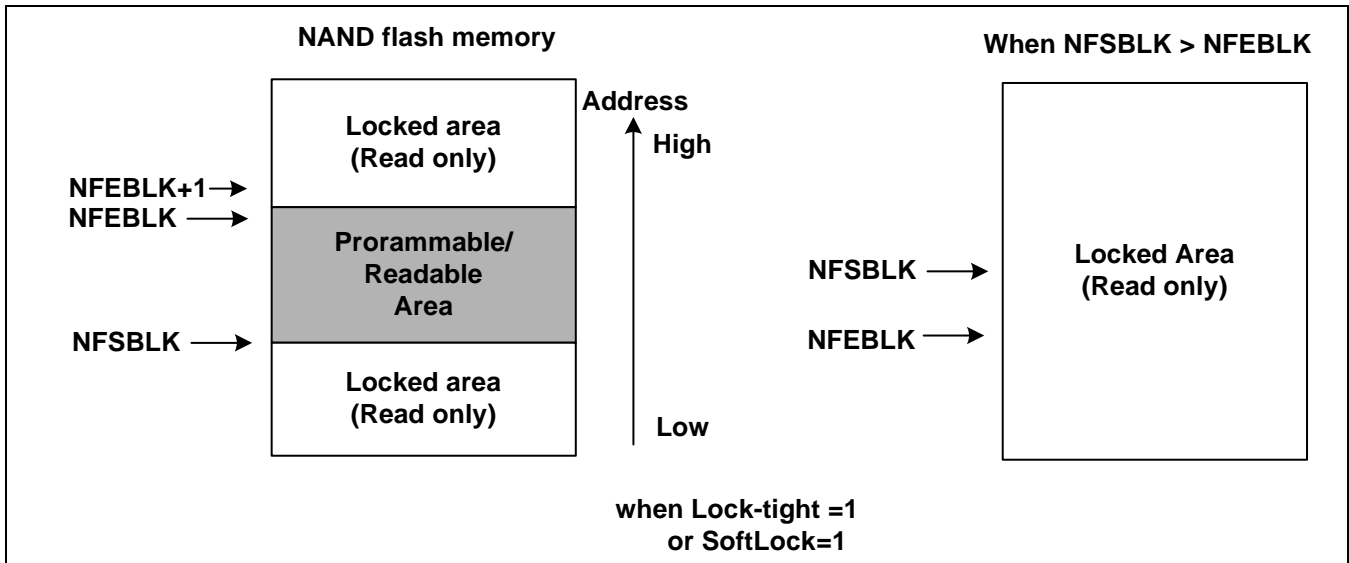


Figure 7-7. Softlock and Lock-tight

13.10 NFCON STATUS REGISTER

Register	Address	R/W	Description	Reset Value
NFSTAT	0x4E000028	R/W	NAND Flash operation status register	0x0080001D

NFSTAT	Bit	Description	Initial State
Reserved	[31:24]	Read undefined	0x00
Reserved	[23:7]	Reserved	0x00
ECCDecDone	[6]	When 4-bit ECC or 8-bit ECC decoding is finished, this value set and issue interrupt if enabled. The NFMLCBITPT, NFMLCLO and NFMLCEL1 have valid values. To clear this, write '1'. 1 = 4-bit ECC or 8-bit ECC decoding is completed	0
IllegalAccess	[5]	Once Soft Lock or Lock-tight is enabled, The illegal access (program, erase) to the memory makes this bit set. 0 = Illegal access is not detected 1 = Illegal access is detected	0
RnB_TransDetect	[4]	When RnB low to high transition is occurred, this value set and issue interrupt if enabled. To clear this write '1'. 0 = RnB transition is not detected 1 = RnB transition is detected Transition configuration is set in RnB_TransMode(NFCONT[8]).	1
NCE[1] (Read-only)	[3]	The status of nRCS[1] output pin	1
NCE[0] (Read-only)	[2]	The status of nFCE output pin	1
Reserved	[1]	Reserved	0
RnB (Read-only)	[0]	The status of RnB input pin. 0 = NAND Flash memory busy 1 = NAND Flash memory ready to operate	1

13.11 ECC0/1 ERROR STATUS REGISTER

Register	Address	R/W	Description	Reset Value
NFECERR0	0x4E00002C	R	NAND Flash ECC Error Status register for I/O [7:0]	0xX0XX_XXXX
NFECERR1	0x4E000030	R	NAND Flash ECC Error Status register for I/O [7:0]	0x0000_0000

13.11.1 When ECCType is 1-bit ECC.

NFECERR0	Bit	Description	Initial State
Reserved	[31:25]	Reserved	0x00
SErrorDataNo	[24:21]	In spare area, Indicates which number data is error	0011
SErrorBitNo	[20:18]	In spare area, Indicates which bit is error	111
MErrorDataNo	[17:7]	In main data area, Indicates which number data is error	0x7FF
MErrorBitNo	[6:4]	In main data area, Indicates which bit is error	111
SpareError	[3:2]	Indicates whether spare area bit fail error occurred 00 = No Error 01 = 1-bit error(correctable) 10 = Uncorrectable 11 = ECC area error	10
MainError	[1:0]	Indicates whether main data area bit fail error occurred 00 = No Error 01 = 1-bit error(correctable) 10 = Uncorrectable 11 = ECC area error	10

NFECERR1	Bit	Description	Initial State
Reserved	[31:0]	Reserved	0x00

NOTE: The above values are only valid when both ECC register and ECC status register have valid value.

13.11.2 When ECCType is 4-bit ECC.

NFECERR0	Bit	Description	Initial State
ECC Busy	[31]	Indicates the 4-bit ECC decoding engine is searching whether a error exists or not 0 = Idle 1 = Busy	0
ECC Ready	[30]	ECC Ready bit	1
Reserved	[29]	Reserved	0
4-bit MECC Error	[28:26]	4-bit ECC decoding result 000 = No error 001 = 1-bit error 010 = 2-bit error 011 = 3-bit error 100 = 4-bit error 101 = Uncorrectable 11x = reserved Note: If it happens that there are more errors than 4 bits, 4-bit ECC module does not ensure right detection.	000
2 nd Bit Error Location	[25:16]	Error byte location of 2 nd bit error	0x00
Reserved	[15:10]	Reserved	
1 st Bit Error Location	[9:0]	Error byte location of 1 st bit error	0x00

NOTE: These values are updated when ECCDecDone (NFSTAT[6]) is set ('1').

NFECERR1	Bit	Description	Initial State
Reserved	[31:26]	Reserved	0x00
4 th Bit Error Location	[25:16]	Error byte location of 4 th bit error	0x00
Reserved	[15:10]	Reserved	
3 rd Bit Error Location	[9:0]	Error byte location of 3 rd bit error	0x00

NOTE: These values are updated when ECCDecDone (NFSTAT[6]) is set ('1').

13.12 MAIN DATA AREA ECC0 STATUS REGISTER

Register	Address	R/W	Description	Reset Value
NFMECC0	0x4E000034	R	NAND Flash ECC status register	0xFFFFFFFF
NFMECC1	0x4E000038	R	NAND Flash ECC status register	0xFFFFFFFF

13.12.1 When ECCType is 1-bit ECC

NFMECC0	Bit	Description	Initial State
MECC0_3	[31:24]	ECC3 for data[7:0]	0xXX
MECC0_2	[23:16]	ECC2 for data[7:0]	0xXX
MECC0_1	[15:8]	ECC1 for data[7:0]	0xXX
MECC0_0	[7:0]	ECC0 for data[7:0]	0xXX

NFMECC1	Bit	Description	Initial State
Reserved	[31:0]	Reserved	0x00000000

NOTE: The NAND flash controller generate NFMECC when read or write main area data while the MainECCLock (NFCONT[7]) bit is '0'(Unlock).

13.12.2 When ECCType is 4-bit ECC.

NFMECC0	Bit	Description	Initial State
4 th Parity	[31:24]	4 th Check Parity generated from main area	0x00
3 rd Parity	[23:16]	3 rd Check Parity generated from main area	0x00
2 nd Parity	[15:8]	2 nd Check Parity generated from main area	0x00
1 st Parity	[7:0]	1 st Check Parity generated from main area	0x00

NFMECC1	Bit	Description	Initial State
Reserved	[31:24]	Reserved	0x00
7 th Parity	[23:16]	7 th Check Parity generated from main area	0x00
6 th Parity	[15:8]	6 th Check Parity generated from main area	0x00
5 th Parity	[7:0]	5 th Check Parity generated from main area	0x00

NOTE: The NAND flash controller generate these ECC parity codes when write main area data while the MainECCLock (NFCONT[7]) bit is '0' (unlock).

13.13 SPARE AREA ECC STATUS REGISTER

Register	Address	R/W	Description	Reset Value
NFSECC	0x4E00003C	R	NAND Flash ECC register for I/O [7:0]	0xFFFFFFFF

NFSECC	Bit	Description	Initial State
Reserved	[31:16]	Reserved	0XXXXX
SECC0_1	[15:8]	Spare area ECC1 Status for I/O[7:0]	0xXX
SECC0_0	[7:0]	Spare area ECC0 Status for I/O[7:0]	0xXX

NOTE: The NAND flash controller generate NFSECC when read or write spare area data while the SpareECCLock (NFCONT[6]) bit is '0' (Unlock).

13.14 4-BIT ECC ERROR PATTEN REGISTER

Register	Address	R/W	Description	Reset Value
NFMLCBITPT	0x4E000040	R	NAND Flash 4-bit ECC Error Pattern register for data[7:0]	0x00000000

NFMLCBITPT	Bit	Description	Initial State
4 th Error bit pattern	[31:24]	4 th Error bit pattern	0x00
3 rd Error bit pattern	[23:16]	3 rd Error bit pattern	0x00
2 nd Error bit pattern	[15:8]	2 nd Error bit pattern	0x00
1 st Error bit pattern	[7:0]	1 st Error bit pattern	0x00

13.16 8BIT ECC MAIN DATA ECC 0/1/2/3 STATUS REGISTER

Register	Address	R/W	Description	Reset Value
NFM8ECC0	0x4E00_0050	R	8bit ECC status register	0xXXXX_XXXX
NFM8ECC1	0x4E00_0054	R	8bit ECC status register	0xXXXX_XXXX
NFM8ECC2	0x4E00_0058	R	8bit ECC status register	0xXXXX_XXXX
NFM8ECC3	0x4E00_005C	R	8bit ECC status register	0xXXXX_XXXX

NFM8ECC0	Bit	Description	Initial State
4 th Parity	[31:24]	4 th Check Parity generated from main area (512-byte)	0xXX
3 rd Parity	[23:16]	3 rd Check Parity generated from main area (512-byte)	0xXX
2 nd Parity	[15:8]	2 nd Check Parity generated from main area (512-byte)	0xXX
1 st Parity	[7:0]	1 st Check Parity generated from main area (512-byte)	0xXX

NFM8ECC1	Bit	Description	Initial State
8 th Parity	[31:24]	8 th Check Parity generated from main area (512-byte)	0xXX
7 th Parity	[23:16]	7 th Check Parity generated from main area (512-byte)	0xXX
6 th Parity	[15:8]	6 th Check Parity generated from main area (512-byte)	0xXX
5 th Parity	[7:0]	5 th Check Parity generated from main area (512-byte)	0xXX

NFM8ECC2	Bit	Description	Initial State
12 th Parity	[31:24]	12 th Check Parity generated from main area (512-byte)	0xXX
11 th Parity	[23:16]	11 th Check Parity generated from main area (512-byte)	0xXX
10 th Parity	[15:8]	10 th Check Parity generated from main area (512-byte)	0xXX
9 th Parity	[7:0]	9 th Check Parity generated from main area (512-byte)	0xXX

NFM8ECC3	Bit	Description	Initial State
Reserved	[31:8]	Reserved	0x000000
13 th Parity	[7:0]	13 th Check Parity generated from main area (512-byte)	0x00

NOTE: The NAND flash controller generate these ECC parity codes when write main area data while the MainECCLock (NFCON[7]) bit is '0'(unlock).

13.17 8BIT ECC ERROR PATTERN REGISTER

Register	Address	R/W	Description	Reset Value
NFMLC8BITPT0	0x4E00_0060	R	NAND Flash 8-bit ECC Error Pattern register0 for data[7:0]	0x0000_0000
NFMLC8BITPT1	0x4E00_0064	R	NAND Flash 8-bit ECC Error Pattern register1 for data[7:0]	0x0000_0000

NFMLC8BITPT0	Bit	Description	Initial State
4 th Error bit pattern	[31:24]	4 th Error bit pattern	0x00
3 rd Error bit pattern	[23:16]	3 rd Error bit pattern	0x00
2 nd Error bit pattern	[15:8]	2 nd Error bit pattern	0x00
1 st Error bit pattern	[7:0]	1 st Error bit pattern	0x00

NFMLC8BITPT1	Bit	Description	Initial State
8 th Error bit pattern	[31:24]	8 th Error bit pattern	0x00
7 th Error bit pattern	[23:16]	7 th Error bit pattern	0x00
6 th Error bit pattern	[15:8]	6 th Error bit pattern	0x00
5 th Error bit pattern	[7:0]	5 th Error bit pattern	0x00

8

DMA CONTROLLER

1 OVERVIEW

S3C2416 supports six-channel DMA (Bridge DMA or peripheral DMA) controller that is located between the system bus and the peripheral bus. Each channel of DMA controller can perform data movements between devices in the system bus and/or peripheral bus with no restrictions. In other words, each channel can handle the following four cases: 1) both source and destination are in the system bus, 2) source is in the system bus while destination is in the peripheral bus, 3) source is in the peripheral bus while destination is in the system bus, 4) both source and destination are in the peripheral bus.

The main advantage of DMA is that it can transfer the data without CPU intervention. The operation of DMA can be initiated by S/W, or the request from internal peripherals, or the external request pins.

2 DMA REQUEST SOURCES

Each channel of DMA controller can select one source among 27 DMA sources if H/W DMA request mode is selected by REQSEL register. (Note that if S/W request mode is selected, this DMA request sources have no meaning at all.) The 27 DMA sources for each channel are as follows.

Table 8-1. DMA request sources for each channel

Bit	Source	Bit	Source	Bit	Source	Bit	Source
0	SPI_TX	8	Reserved	16	Reserved	24	UART_2[1]
1	SPI_RX	9	PWM Timer	17	nXDREQ0	25	UART_3[0]
2	Reserved	10	Reserved	18	nXDREQ1	26	UART_3[1]
3	Reserved	11	Reserved	19	UART_0[0]	27	PCMOUT
4	I2S TX	12	PCM TX	20	UART_0[1]	28	PCMIN
5	I2S RX	13	PCM RX	21	UART_1[0]	29	MICIN
6	Reserved	14	Reserved	22	UART_1[1]	30	Reserved
7	Reserved	15	Reserved	23	UART_2[0]	31	Reserved

Here, nXDREQ0 and nXDREQ1 represent two external sources (External Devices).

3 DMA OPERATION

The details of DMA operation can be explained using three-state FSM (finite state machine) as follows:

- State-1. As an initial state, it waits for the DMA request. If it comes, go to state-2. At this state, DMA ACK and INT REQ are 0.
- State-2. In this state, DMA ACK becomes 1 and the counter (CURR_TC) is loaded from DCON[19:0] register. Note that DMA ACK becomes 1 and remains 1 until it is cleared later.
- State-3. In this state, sub-FSM handling the atomic operation of DMA is initiated. The sub-FSM reads the data from the source address and then writes it to destination address. In this operation, data size and transfer size (single or burst) are considered. This operation is repeated until the counter (CURR_TC) becomes 0 in the whole service mode, while performed only once in a single service mode. The main FSM (this FSM) counts down the CURR_TC when the sub-FSM finishes each of atomic operation. In addition, this main FSM asserts the INT REQ signal when CURR_TC becomes 0 and the interrupt setting of DCON [29] register is set to 1. In addition, it clears DMA ACK if one of the following conditions is met.
 - 1) CURR_TC becomes 0 in the whole service mode
 - 2) atomic operation finishes in the single service mode.

Note that in the single service mode, these three states of main FSM are performed and then stops, and wait for another DMA REQ. And if DMA REQ comes in all three states are repeated. Therefore, DMA ACK is asserted and then de-asserted for each atomic transfer. In contrast, in the whole service mode, main FSM waits at state-3 until CURR_TC becomes 0. Therefore, DMA ACK is asserted during all the transfers and then de-asserted when TC reaches 0.

However, INT REQ is asserted only if CURR_TC becomes 0 regardless of the service mode (single service mode or whole service mode).

3.1 EXTERNAL DMA DREQ/DACK PROTOCOL

There are four types of external DMA request/acknowledge protocols. Each type defines how the signals like DMA request and acknowledge are related to these protocols.

3.1.1 Basic DMA Timing

The DMA service means paired Reads and Writes cycles during DMA operation, which is one DMA operation. The Figure 8-1 shows the basic Timing in the DMA operation of the S3C2416.

- The setup time and the delay time of XnXDREQ and XnXDACK are same in all the modes.
- If the completion of XnXDREQ meets its setup time, it is synchronized twice and then XnXDACK is asserted.
- After assertion of XnXDACK, DMA requests the bus and if it gets the bus it performs its operations. XnXDACK is deasserted when DMA operation finishes.

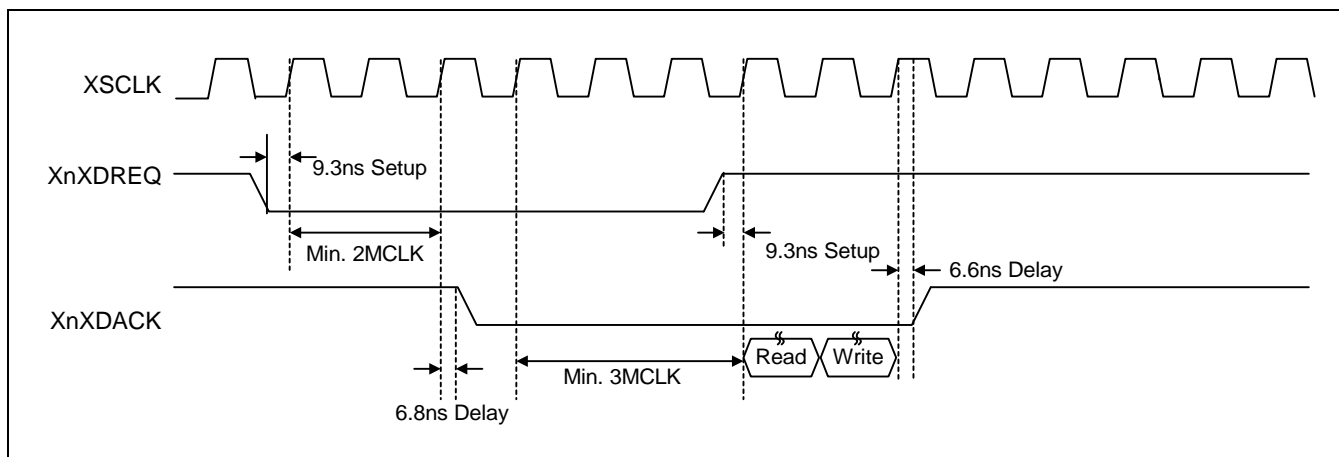


Figure 8-1. Basic DMA Timing Diagram

Demand/Handshake Mode Comparison – Related to the Protocol between XnXDREQ and XnXDACK

These are two different modes related to the protocol between XnXDREQ and XnXDACK. Figure 8-2 shows the differences between these two modes i.e., Demand and Handshake modes.

At the end of one transfer (Single/Burst transfer), DMA checks the state of double-synched XnXDREQ.

3.1.2 Demand mode

- If XnXDREQ remains asserted, the next transfer starts immediately. Otherwise it waits for XnXDREQ to be asserted.

3.1.3 Handshake mode

- If XnXDREQ is deasserted, DMA deasserts XnXDACK in 2cycles. Otherwise it waits until XnXDREQ is deasserted.

Caution: XnXDREQ has to be asserted (low) only after the deassertion (high) of XnXDACK.

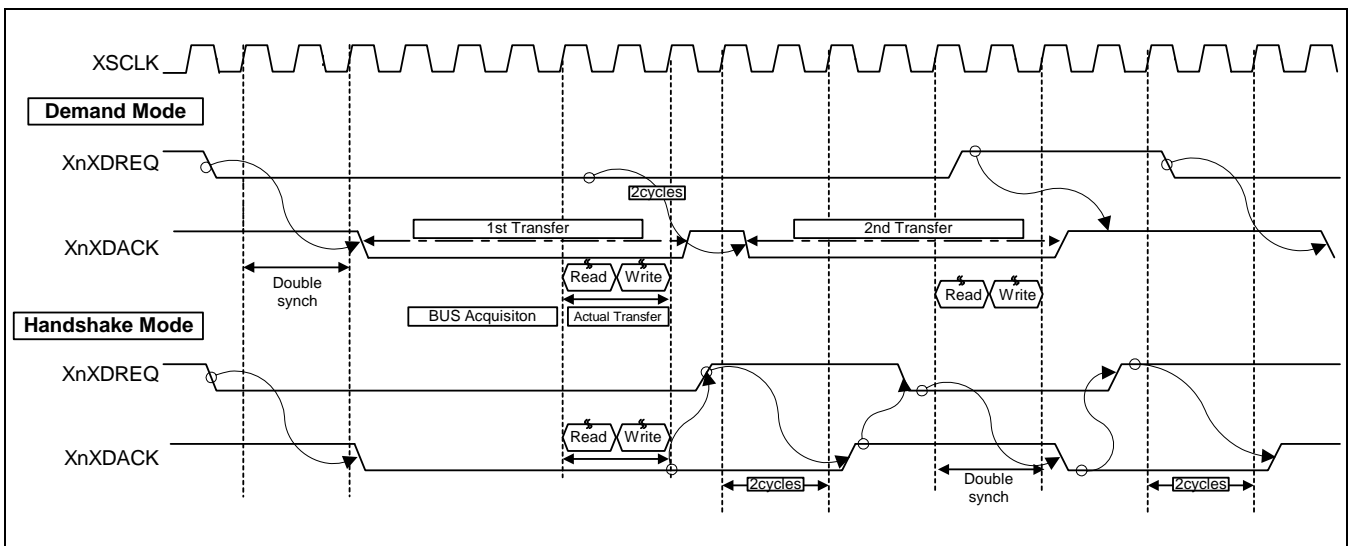


Figure 8-2. Demand/Handshake Mode Comparison

3.1.4 Transfer Size

- There are two different transfer sizes; single and Burst 4.
- DMA holds the bus firmly during the transfer of these chunk of data, thus other bus masters can not get the bus.

3.1.5 Burst 4 Transfer Size

4 sequential Reads and 4 sequential Writes are performed in the Burst 4 Transfer.

NOTE

Single Transfer size: One read and one write are performed.

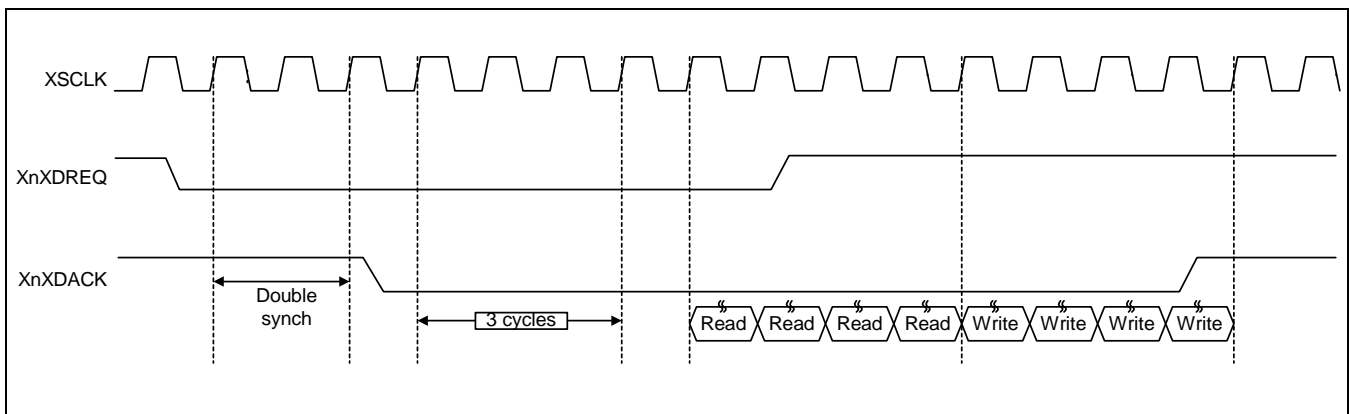


Figure 8-3. Burst 4 Transfer size

3.2 EXAMPLES OF POSSIBLE CASES

3.2.1 Single service, Demand Mode, Single Transfer Size

The assertion of XnXDREQ is need for every unit transfer (Single service mode), the operation continues while the XnXDREQ is asserted(Demand mode), and one pair of Read and Write(Single transfer size) is performed.

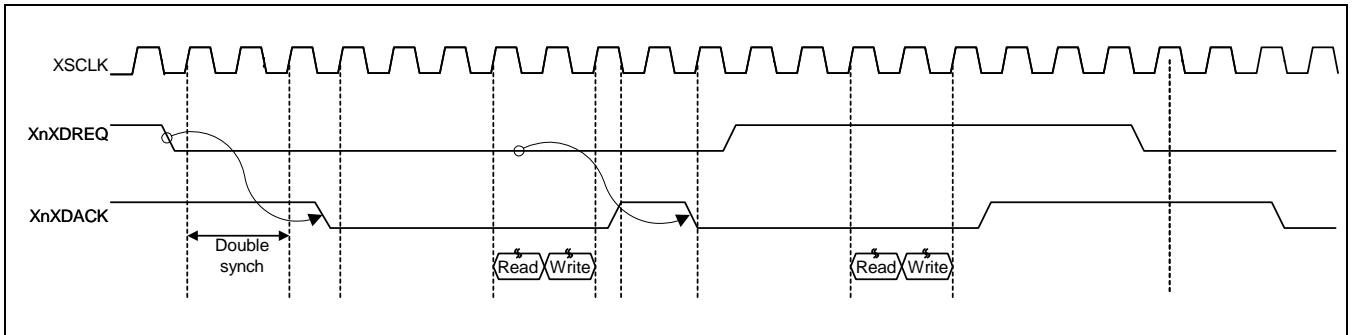


Figure 8-4. Single service, Demand Mode, Single Transfer Size

Single service/Handshake Mode, Single Transfer Size

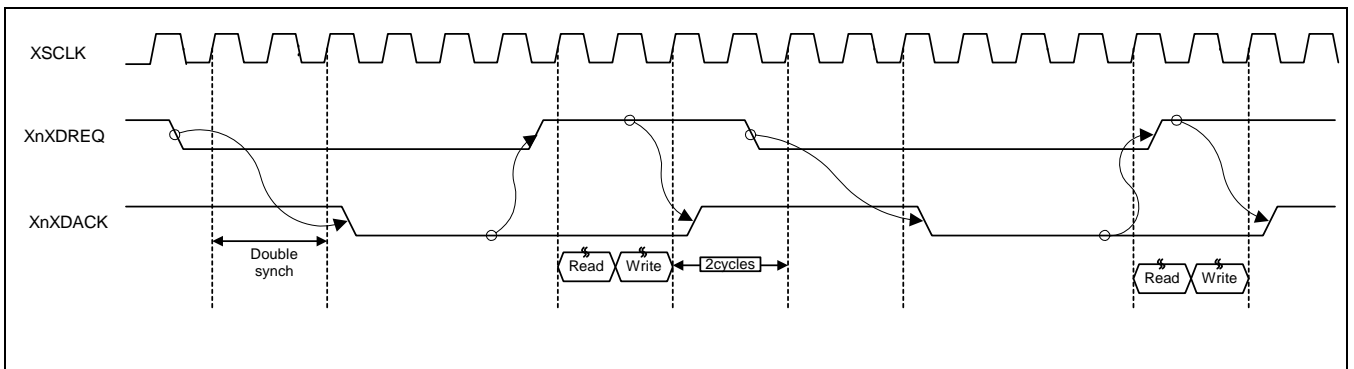


Figure 8-5. Single service, Handshake Mode, Single Transfer Size

Whole service/Handshake Mode, Single Transfer Size

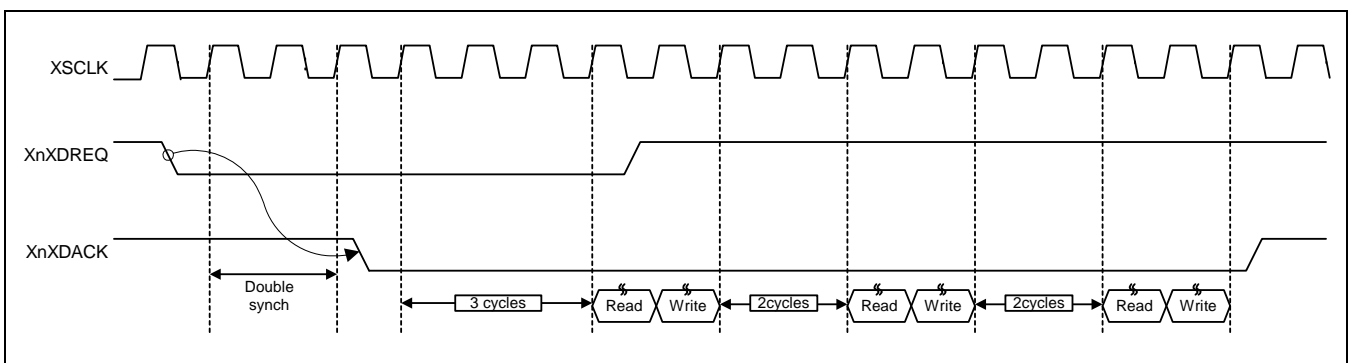


Figure 8-6. Whole service, Handshake Mode, Single Transfer Size

4 DMA SPECIAL REGISTERS

There are 10 control registers for each DMA channel. (Since there are six channels, the total number of control registers is 60.) Seven of them are to control the DMA transfer, and other three are to see the status of DMA controller. The details of those registers are as follows.

4.1 DMA INITIAL SOURCE REGISTER (DISRC)

Register	Address	R/W	Description	Reset Value
DISRC0	0x4B000000	R/W	DMA0 Initial Source Register	0x00000000
DISRC1	0x4B000100	R/W	DMA1 Initial Source Register	0x00000000
DISRC2	0x4B000200	R/W	DMA2 Initial Source Register	0x00000000
DISRC3	0x4B000300	R/W	DMA3 Initial Source Register	0x00000000
DISRC4	0x4B000400	R/W	DMA4 Initial Source Register	0x00000000
DISRC5	0x4B000500	R/W	DMA5 Initial Source Register	0x00000000

DISRCn	Bit	Description	Initial State
S_ADDR	[30:0]	These bits are the base address (start address) of source data to transfer. This value will be loaded into CURR_SRC only if the CURR_SRC is 0 and the DMA ACK is 1.	0x00000000

Note: When DDR2 SDRAM is used as main memory, DISRCn should be aligned with double-word addressing.

4.2 DMA INITIAL SOURCE CONTROL REGISTER (DISRCC)

Register	Address	R/W	Description	Reset Value
DISRCC0	0x4B000004	R/W	DMA0 Initial Source Control Register	0x00000000
DISRCC1	0x4B000104	R/W	DMA1 Initial Source Control Register	0x00000000
DISRCC2	0x4B000204	R/W	DMA2 Initial Source Control Register	0x00000000
DISRCC3	0x4B000304	R/W	DMA3 Initial Source Control Register	0x00000000
DISRCC4	0x4B000404	R/W	DMA4 Initial Source Control Register	0x00000000
DISRCC5	0x4B000504	R/W	DMA5 Initial Source Control Register	0x00000000

DISRCCn	Bit	Description	Initial State
LOC	[1]	Bit 1 is used to select the location of source. 0 = The source is in the system bus (AHB), 1 = The source is in the peripheral bus (APB)	0
INC	[0]	Bit 0 is used to select the address increment. 0 = Increment 1 = Fixed If it is 0, the address is increased by its data size after each transfer in burst and single transfer mode. If it is 1, the address is not changed after the transfer (In the burst mode, address is increased during the burst transfer, but the address is recovered to its first value after the transfer).	0

4.3 DMA INITIAL DESTINATION REGISTER (DIDST)

Register	Address	R/W	Description	Reset Value
DIDST0	0x4B000008	R/W	DMA0 Initial Destination Register	0x00000000
DIDST1	0x4B000108	R/W	DMA1 Initial Destination Register	0x00000000
DIDST2	0x4B000208	R/W	DMA2 Initial Destination Register	0x00000000
DIDST3	0x4B000308	R/W	DMA3 Initial Destination Register	0x00000000
DIDST4	0x4B000408	R/W	DMA4 Initial Destination Register	0x00000000
DIDST5	0x4B000508	R/W	DMA5 Initial Destination Register	0x00000000

DIDSTn	Bit	Description	Initial State
D_ADDR	[30:0]	These bits are the base address (start address) of destination for the transfer. This value will be loaded into CURR_SRC only if the CURR_SRC is 0 and the DMA ACK is 1.	0x00000000

4.4 DMA INITIAL DESTINATION CONTROL REGISTER (DIDSTC)

Register	Address	R/W	Description	Reset Value
DIDSTC0	0x4B00000C	R/W	DMA0 Initial Destination Control Register	0x00000000
DIDSTC1	0x4B00010C	R/W	DMA1 Initial Destination Control Register	0x00000000
DIDSTC2	0x4B00020C	R/W	DMA2 Initial Destination Control Register	0x00000000
DIDSTC3	0x4B00030C	R/W	DMA3 Initial Destination Control Register	0x00000000
DIDSTC4	0x4B00040C	R/W	DMA4 Initial Destination Control Register	0x00000000
DIDSTC5	0x4B00050C	R/W	DMA5 Initial Destination Control Register	0x00000000

DIDSTn	Bit	Description	Initial State
CHK_INT	[2]	Select interrupt occurrence time when auto reload is setting 0 = Interrupt will occur when TC reaches 0. 1 = Interrupt will occur after auto-reload is performed	0
LOC	[1]	Bit 1 is used to select the location of destination. 0 = The destination is in the system bus (AHB). 1 = The destination is in the peripheral bus (APB).	0
INC	[0]	Bit 0 is used to select the address increment. 0 = Increment 1 = Fixed If it is 0, the address is increased by its data size after each transfer in burst and single transfer mode. If it is 1, the address is not changed after the transfer (In the burst mode, address is increased during the burst transfer, but the address is recovered to its first value after the transfer).	0

4.5 DMA CONTROL REGISTER (DCON)

Register	Address	R/W	Description	Reset Value
DCON0	0x4B000010	R/W	DMA0 Control Register	0x00000000
DCON1	0x4B000110	R/W	DMA1 Control Register	0x00000000
DCON2	0x4B000210	R/W	DMA2 Control Register	0x00000000
DCON3	0x4B000310	R/W	DMA3 Control Register	0x00000000
DCON4	0x4B000410	R/W	DMA4 Control Register	0x00000000
DCON5	0x4B000510	R/W	DMA5 Control Register	0x00000000

DCONn	Bit	Description	Initial State
DMD_HS	[31]	Select one between demand mode and handshake mode. 0 = demand mode is selected 1 = handshake mode is selected. In both modes, DMA controller starts its transfer and asserts DACK for a given asserted DREQ. The difference between two modes is whether it waits for the de-asserted DACK or not. In handshake mode, DMA controller waits for the de-asserted DREQ before starting a new transfer. If it sees the de-asserted DREQ, it de-asserts DACK and waits for another asserted DREQ. In contrast, in the demand mode, DMA controller does not wait until the DREQ is de-asserted. It just de-asserts DACK and then starts another transfer if DREQ is asserted. We recommend using handshake mode for external DMA request sources to prevent unintended starts of new transfers.	0
SYNC	[30]	Select DREQ/DACK synchronization. 0 = DREQ and DACK are synchronized to PCLK (APB clock). 1 = DREQ and DACK are synchronized to HCLK (AHB clock). Therefore, devices attached to AHB system bus, this bit has to be set to 1, while those attached to APB system, it should be set to 0. For the devices attached to external system, user should select this bit depending on whether the external system is synchronized with AHB system or APB system.	0
INT	[29]	Enable/Disable the interrupt setting for CURR_TC (terminal count) 0 = CURR_TC interrupt is disabled. User has to look the transfer count in the status register. (i.e., polling) 1 = Interrupt request is generated when all the transfer is done (i.e., CURR_TC becomes 0).	0
TSZ	[28]	Select the transfer size of an atomic transfer (i.e., transfer performed at each time DMA owns the bus before releasing the bus). 0 = A unit transfer is performed. 1 = A burst transfer of length four is performed.	0
SERVMODE	[27]	Select the service mode between single service mode and whole service mode. 0 = Single service mode is selected in which after each atomic	0

DCONn	Bit	Description	Initial State
		transfer (single or burst of length four) DMA stops and waits for another DMA request. 1 = Whole service mode is selected in which one request gets atomic transfers to be repeated until the transfer count reaches to 0. In this mode, additional request is not required. Here, note that even in the whole service mode, DMA releases the bus after each atomic transfer and then tries to re-get the bus to prevent starving of other bus masters.	
Reserved	[26:25]	Reserved for future use	00
PADDRFIX	[24]	APB Address fix control 0 = Increment 1 = Fix If you want to fix the APB address during burst operation, set this bit to 1.	0
Reserved	[23]	Reserved for future use	0
RELOAD	[22]	Set the reload on/off option. 0 = Auto reload is performed when a current value of transfer count becomes 0 (i.e., all the required transfers are performed). 1 = DMA channel (DMA REQ) is turned off when a current value of transfer count becomes 0. The channel on/off bit(DMASKTRIGN[1]) is set to 0(DREQ off) to prevent unintended further start of new DMA operation	0
DSZ	[21:20]	Data size to be transferred. 00 = Byte 01 = Half word 10 = Word 11 = Reserved	00
TC	[19:0]	Initial transfer count (or transfer beat). Note that the actual number of bytes that are transferred is computed by the following equation: $DSZ \times TSZ \times TC$, where DSZ, TSZ, and TC represent data size (DCONn[21:20]), transfer size (DCONn[28]), and initial transfer count, respectively. This value will be loaded into CURR_TC only if the CURR_TC is 0 and the DMA ACK is 1.	00000

4.6 DMA STATUS REGISTER (DSTAT)

Register	Address	R/W	Description	Reset Value
DSTAT0	0x4B000014	R	DMA0 Count Register	000000h
DSTAT1	0x4B000114	R	DMA1 Count Register	000000h
DSTAT2	0x4B000214	R	DMA2 Count Register	000000h
DSTAT3	0x4B000314	R	DMA3 Count Register	000000h
DSTAT4	0x4B000414	R	DMA4 Count Register	000000h
DSTAT5	0x4B000514	R	DMA5 Count Register	000000h

DSTATn	Bit	Description	Initial State
STAT	[21:20]	Status of this DMA controller. 00 = It indicates that DMA controller is ready for another DMA request. 01 = It indicates that DMA controller is busy for transfers.	00b
CURR_TC	[19:0]	Current value of transfer count. Note that transfer count is initially set to the value of DCONn[19:0] register and decreased by one at the end of every atomic transfer.	00000h

4.7 DMA CURRENT SOURCE REGISTER (DCSRC)

Register	Address	R/W	Description	Reset Value
DCSRC0	0x4B000018	R	DMA0 Current Source Register	0x00000000
DCSRC1	0x4B000118	R	DMA1 Current Source Register	0x00000000
DCSRC2	0x4B000218	R	DMA2 Current Source Register	0x00000000
DCSRC3	0x4B000318	R	DMA3 Current Source Register	0x00000000
DCSRC4	0x4B000418	R	DMA4 Current Source Register	0x00000000
DCSRC5	0x4B000518	R	DMA5 Current Source Register	0x00000000

DCSRCn	Bit	Description	Initial State
CURR_SRC	[30:0]	Current source address for DMA _n .	0x00000000

4.8 CURRENT DESTINATION REGISTER (DCDST)

Register	Address	R/W	Description	Reset Value
DCDST0	0x4B00001C	R	DMA0 Current Destination Register	0x00000000
DCDST1	0x4B00011C	R	DMA1 Current Destination Register	0x00000000
DCDST2	0x4B00021C	R	DMA2 Current Destination Register	0x00000000
DCDST3	0x4B00031C	R	DMA3 Current Destination Register	0x00000000
DCDST4	0x4B00041C	R	DMA4 Current Destination Register	0x00000000
DCDST5	0x4B00051C	R	DMA5 Current Destination Register	0x00000000

DCDSTn	Bit	Description	Initial State
CURR_DST	[30:0]	Current destination address for DMA _n .	0x00000000

4.9 DMA MASK TRIGGER REGISTER (DMASKTRIG)

Register	Address	R/W	Description	Reset Value
DMASKTRIG0	0x4B000020	R/W	DMA0 Mask Trigger Register	000
DMASKTRIG1	0x4B000120	R/W	DMA1 Mask Trigger Register	000
DMASKTRIG2	0x4B000220	R/W	DMA2 Mask Trigger Register	000
DMASKTRIG3	0x4B000320	R/W	DMA3 Mask Trigger Register	000
DMASKTRIG4	0x4B000420	R/W	DMA4 Mask Trigger Register	000
DMASKTRIG5	0x4B000520	R/W	DMA5 Mask Trigger Register	000

DMASKTRIGn	Bit	Description	Initial State
STOP	[2]	<p>Stop the DMA operation.</p> <p>1 = DMA stops as soon as the current atomic transfer ends. If there is no current running atomic transfer, DMA stops immediately. The CURR_TC, CURR_SRC, CURR_DST will be 0.</p> <p>Note: Due to possible current atomic transfer, "stop" may take several cycles. The finish of "stopping" operation (i.e., actual stop time) can be detected by waiting until the channel on/off bit (DMASKTRIGn[1]) is set to off. This stop is "actual stop".</p>	0
ON_OFF	[1]	<p>DMA channel on/off bit.</p> <p>0 = DMA channel is turned off. (DMA request to this channel is ignored.)</p> <p>1 = DMA channel is turned on and the DMA request is handled. This bit is automatically set to off if we set the DCONn[22] bit to "no auto reload" and/or STOP bit of DMASKTRIGn to "stop". Note that when DCON [22] bit is "no auto reload", this bit becomes 0 when CURR_TC reaches 0. If the STOP bit is 1, this bit becomes 0 as soon as the current atomic transfer finishes.</p> <p>Note: This bit should not be changed manually during DMA operations (i.e., this has to be changed only by using DCON [22] or STOP bit.)</p>	0
SW_TRIG	[0]	<p>Trigger the DMA channel in S/W request mode.</p> <p>1 = it requests a DMA operation to this controller.</p> <p>However, note that for this trigger to have effects S/W request mode has to be selected (DMAREQSELn[0]) and channel ON_OFF bit has to be set to 1 (channel on). When DMA operation starts, this bit is cleared automatically.</p>	0

NOTE: You can freely change the values of DISRC register, DIDST registers, and TC field of DCON register. Those changes take effect only after the finish of current transfer (i.e., when CURR_TC becomes 0). On the other hand, any change made to other registers and/or fields takes immediate effect. Therefore, be careful in changing those registers and fields.

4.10 DMA REQUEST SELECTION REGISTER (DMAREQSEL)

Register	Address	R/W	Description	Reset Value
DMAREQSEL0	0x4B000024	R/W	DMA0 Request Selection Register	000
DMAREQSEL1	0x4B000124	R/W	DMA1 Request Selection Register	000
DMAREQSEL2	0x4B000224	R/W	DMA2 Request Selection Register	000
DMAREQSEL3	0x4B000324	R/W	DMA3 Request Selection Register	000
DMAREQSEL4	0x4B000424	R/W	DMA4 Request Selection Register	000
DMAREQSEL5	0x4B000524	R/W	DMA5 Request Selection Register	000

DMAREQSELn	Bit	Description	Initial State
HWSRCSEL	[5:1]	Select DMA request source for each DMA. → Refer to the Table 8-1 on page 8-2. This bits control the 8-1 MUX to select the DMA request source of each DMA. These bits have meanings if and only if H/W request mode is selected by DMAREQSELn[0].	00000
SWHW_SEL	[0]	Select the DMA source between software (S/W request mode) and hardware (H/W request mode). 0 = S/W request mode is selected and DMA is triggered by setting SW_TRIG bit of DMASKTRIG control register. 1 = DMA source selected by bit [5:1] is used to trigger the DMA operation.	0

NOTES

9 INTERRUPT CONTROLLER

1 OVERVIEW

The interrupt controller in the S3C2416 receives the request from 53 interrupt sources. These interrupt sources are provided by internal peripherals such as the DMA controller, the UART, IIC, and others. In these interrupt sources, the UARTn and EINTn interrupts are 'OR'ed to the interrupt controller.

When receiving multiple interrupt requests from internal peripherals and external interrupt request pins, the interrupt controller requests FIQ or IRQ interrupt of the ARM926EJ core after the arbitration procedure.

The arbitration procedure depends on the hardware priority logic and the result is written to the interrupt pending register, which helps users notify which interrupt is generated out of various interrupt sources.

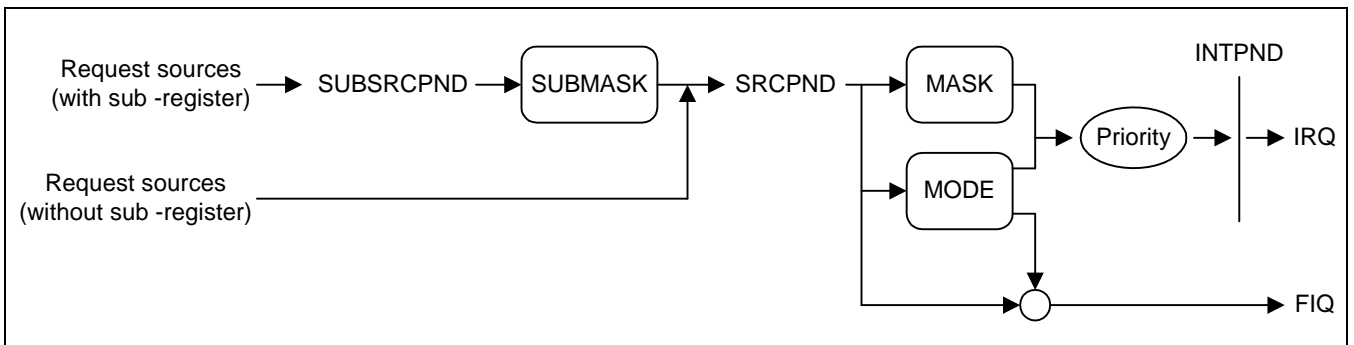


Figure 9-1. Interrupt Process Diagram

The interrupt controller has two groups of interrupt sources, and first group has always higher priority than the other group. Actually, we made this interrupt controller using by two interrupt controllers. The nRIQ of ARM926EJ is connected with 'AND' of nIRQs of each interrupt controller. The nFIQ is just same.

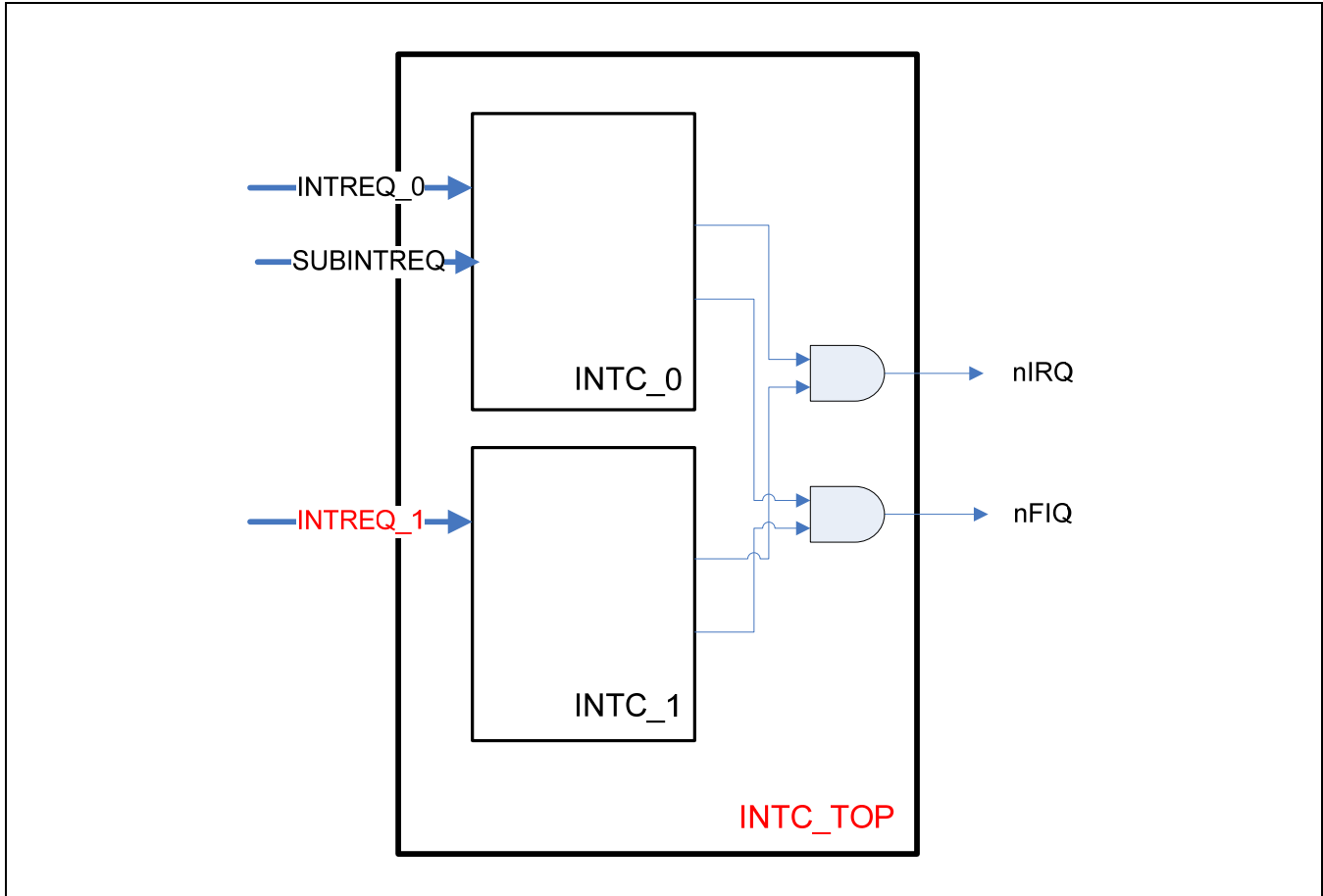


Figure 9-2. Interrupt Group Multiplexing Diagram

1.1 INTERRUPT CONTROLLER OPERATION

1.1.1 F-bit and I-bit of Program Status Register (PSR)

If the F-bit of PSR in ARM926EJ CPU is set to 1, the CPU does not accept the Fast Interrupt Request (FIQ) from the interrupt controller. Likewise, If I-bit of the PSR is set to 1, the CPU does not accept the Interrupt Request (IRQ) from the interrupt controller. So, the interrupt controller can receive interrupts by clearing F-bit or I-bit of the PSR to 0 and setting the corresponding bit of INTMSK to 0.

1.1.2 Interrupt Mode

The ARM926EJ has two types of Interrupt mode: FIQ or IRQ. All the interrupt sources determine which mode is used at interrupt request.

1.1.3 Interrupt Pending Register

The **S3C2416** has two interrupt pending registers: source pending register (SRCPND) and interrupt pending register (INTPND). These pending registers indicate whether or not an interrupt request is pending. When the interrupt sources request interrupt service, the corresponding bits of SRCPND register are set to 1, and at the same time, only one bit of the INTPND register is set to 1 automatically after arbitration procedure. If interrupts are masked, the corresponding bits of the SRCPND register are set to 1. This does not cause the bit of INTPND register changed. When a pending bit of the INTPND register is set, the interrupt service routine starts whenever the I-flag or F-flag is cleared to 0. The SRCPND and INTPND registers can be read and written, so the service routine must clear the pending condition by writing a 1 to the corresponding bit in the SRCPND register first and then clear the pending condition in the INTPND registers by using the same method.

1.1.4 Interrupt Mask Register

This register indicates that an interrupt has been disabled if the corresponding mask bit is set to 1. If an interrupt mask bit of INTMSK is 0, the interrupt will be serviced normally. If the corresponding mask bit is 1 and the interrupt is generated, the source pending bit will be set.

1.2 INTERRUPT SOURCES

The interrupt controller supports 51 interrupt sources as shown in the table below.

Sources	Descriptions	Arbiter Group
NONE	Reserved	ARB11
NONE	Reserved	ARB11
NONE	Reserved	ARB11
NONE	Reserved	ARB11
NONE	Reserved	ARB10
NONE	Reserved	ARB10
NONE	Reserved	ARB10
NONE	Reserved	ARB10
NONE	Reserved	ARB10
NONE	Reserved	ARB10
NONE	Reserved	ARB10
NONE	Reserved	ARB9
NONE	Reserved	ARB9
NONE	Reserved	ARB9
NONE	Reserved	ARB9
NONE	Reserved	ARB9
NONE	Reserved	ARB9
NONE	Reserved	ARB8
NONE	Reserved	ARB8
NONE	Reserved	ARB8
NONE	Reserved	ARB8
NONE	Reserved	ARB8
NONE	Reserved	ARB8
NONE	Reserved	ARB8
NONE	Reserved	ARB7
NONE	Reserved	ARB7
NONE	Reserved	ARB7
INT_I2S0	I2S0 interrupt	ARB7
NONE	Reserved	ARB7
INT_PCM0	PCM0 interrupt	ARB7
NONE	Reserved	ARB6
NONE	Reserved	ARB6
NONE	Reserved	ARB7
INT_2D	2D interrupt	ARB6
INT_ADC	ADC EOC and Touch interrupt (INT_ADC/INT_TC)	ARB5
INT_RTC	RTC alarm interrupt	ARB5
NONE	Reserved	ARB7

Sources	Descriptions	Arbiter Group
INT_UART0	UART0 Interrupt (ERR, RXD, and TXD)	ARB5
INT_IIC0	IIC 0 interrupt	ARB4
INT_USBH	USB Host interrupt	ARB4
INT_USBD	USB Device interrupt	ARB4
INT_NAND	NAND Flash Controller interrupt	ARB4
INT_UART1	UART1 Interrupt (ERR, RXD, and TXD)	ARB4
INT_SPI0	High speed SPI 0 interrupt	ARB4
INT_SDI0	High Speed SDMMC 0 interrupt	ARB3
INT_SDI1	High Speed SDMMC 1 interrupt	ARB3
NONE	Reserved	ARB3
INT_UART3	UART3 Interrupt (ERR, RXD, and TXD)	ARB3
INT_DMA	DMA channel 8 interrupt(DMA0 ~ DMA7)	ARB3
INT_LCD	LCD interrupt(LCD Frame/FIFO/i80 interrupts)	ARB3
INT_UART2	UART2 Interrupt (ERR, RXD, and TXD)	ARB2
INT_TIMER4	Timer4 interrupt	ARB2
INT_TIMER3	Timer3 interrupt	ARB2
INT_TIMER2	Timer2 interrupt	ARB2
INT_TIMER1	Timer1 interrupt	ARB2
INT_TIMER0	Timer0 interrupt	ARB2
INT_WDT_AC97	Watch-Dog / AC97 interrupt	ARB1
INT_TICK	RTC Time tick interrupt	ARB1
nBATT_FLT	Battery Fault interrupt	ARB1
NONE	Reserved	ARB1
EINT8_15	External interrupt 8 – 15	ARB1
EINT4_7	External interrupt 4 – 7	ARB1
EINT3	External interrupt 3	ARB0
EINT2	External interrupt 2	ARB0
EINT1	External interrupt 1	ARB0
EINT0	External interrupt 0	ARB0

1.3 INTERRUPT PRIORITY GENERATING BLOCK

The priority logic for 32 interrupt requests is composed of seven rotation based arbiters: six first-level arbiters and one second-level arbiter as shown in Figure 9-2 below.

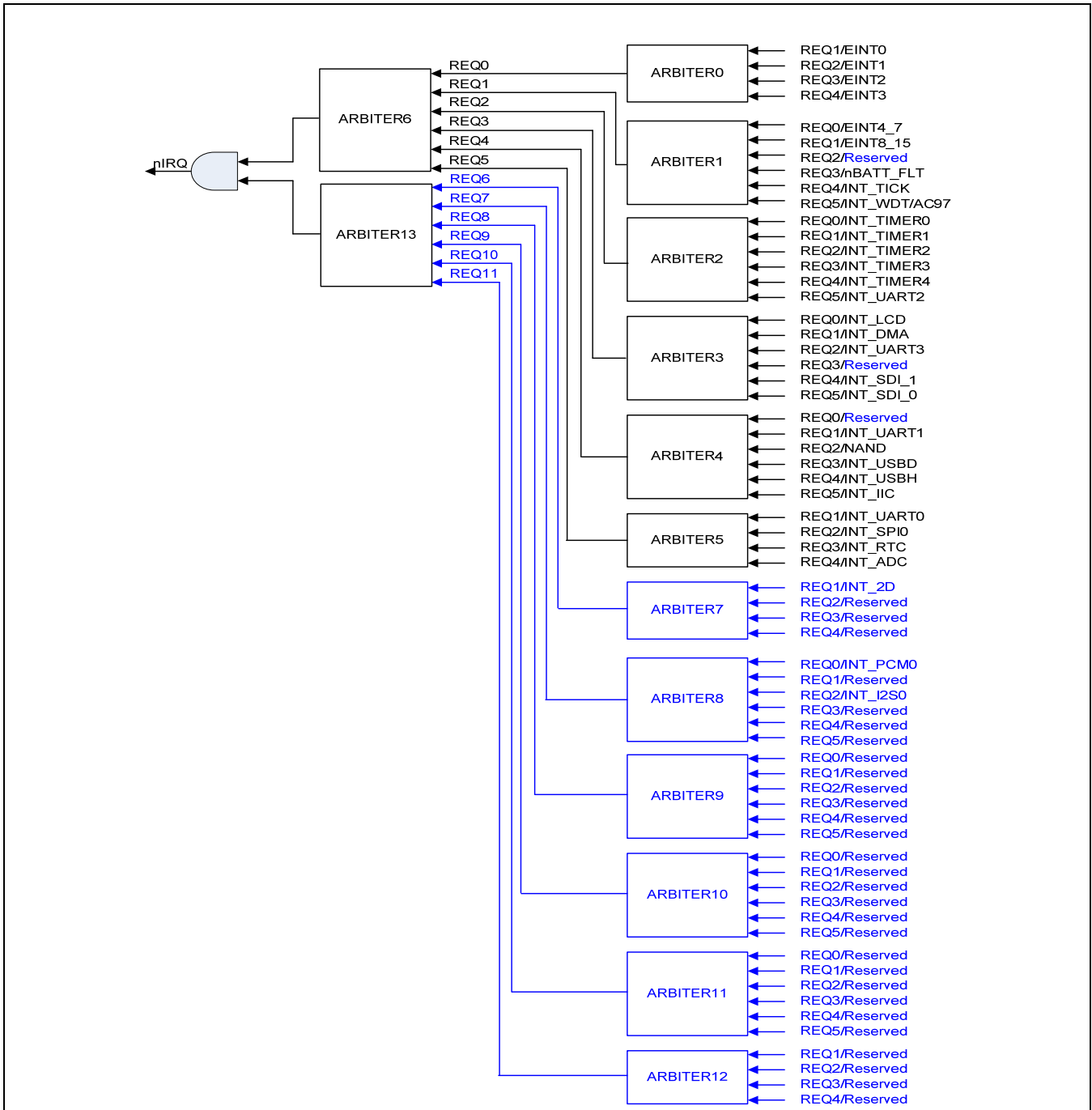


Figure 9-3. Priority Generating Block

1.4 INTERRUPT PRIORITY

We have two groups of arbiters. One group is ARBITER0~ARBITER5, and the other is ARBITER6~ARBITER11. The former group has higher priority than the latter group. And priority of arbiters in each group can be set as below separately.

Each arbiter can handle six interrupt requests based on the one bit arbiter mode control (ARB_MODE) and two bits of selection control signals (ARB_SEL) as follows:

- If ARB_SEL bits are 00b, the priority order is REQ0, REQ1, REQ2, REQ3, REQ4, and REQ5.
- If ARB_SEL bits are 01b, the priority order is REQ0, REQ2, REQ3, REQ4, REQ1, and REQ5.
- If ARB_SEL bits are 10b, the priority order is REQ0, REQ3, REQ4, REQ1, REQ2, and REQ5.
- If ARB_SEL bits are 11b, the priority order is REQ0, REQ4, REQ1, REQ2, REQ3, and REQ5.

Note that REQ0 of an arbiter always has the highest priority, and REQ5 has the lowest one. In addition, by changing the ARB_SEL bits, we can rotate the priority of REQ1 to REQ4.

Here, if ARB_MODE bit is set to 0, ARB_SEL bits are not automatically changed, making the arbiter to operate in the fixed priority mode (note that even in this mode, we can reconfigure the priority by manually changing the ARB_SEL bits). On the other hand, if ARB_MODE bit is 1, ARB_SEL bits are changed in rotation fashion, e.g., if REQ1 is serviced, ARB_SEL bits are changed to 01b automatically so as to put REQ1 into the lowest priority. The detailed rules of ARB_SEL change are as follows:

- If REQ0 or REQ5 is serviced, ARB_SEL bits are not changed at all.
- If REQ1 is serviced, ARB_SEL bits are changed to 01b.
- If REQ2 is serviced, ARB_SEL bits are changed to 10b.
- If REQ3 is serviced, ARB_SEL bits are changed to 11b.
- If REQ4 is serviced, ARB_SEL bits are changed to 00b.

2 INTERRUPT CONTROLLER SPECIAL REGISTERS

There are following control registers in the interrupt controller: source pending register, interrupt mode register, mask register, priority register, interrupt pending register, interrupt offset register, sub-source pending register and sub-mask register.

All the interrupt requests from the interrupt sources are first registered in the source pending register. They are divided into two groups including Fast Interrupt Request (FIQ) and Interrupt Request (IRQ), based on the interrupt mode register. The arbitration procedure for multiple IRQs is based on the priority register.

Overall Register Map

Register	Address	R/W	Description	Reset Value
SRCPND 1	0X4A000000	R/W	Indicate the interrupt request status for group 1. 0 = The interrupt has not been requested. 1 = The interrupt source has asserted the interrupt request.	0x00000000
INTMOD 1	0X4A000004	R/W	Interrupt mode register for group 1. 0 = IRQ mode 1 = FIQ mode	0x00000000
INTMSK1	0X4A000008	R/W	Determine which interrupt source of group 1 is masked. The masked interrupt source will not be serviced. 0 = Interrupt service is available. 1 = Interrupt service is masked.	0xFFFFFFFF
	0X4A00000C			
INTPND1	0X4A000010	R/W	Indicate the interrupt request status for group 1. 0 = The interrupt has not been requested. 1 = The interrupt source has asserted the interrupt request.	0x00000000
INTOFFSET1	0X4A000014	R	Indicate the IRQ interrupt request source for group 1	0x00000000
SUBSRCPND	0X4A000018	R/W	Indicate the interrupt request status. 0 = The interrupt has not been requested. 1 = The interrupt source has asserted the interrupt request.	0x00000000
INTSUBMSK	0X4A00001C	R/W	Determine which interrupt source is masked. The masked interrupt source will not be serviced. 0 = Interrupt service is available. 1 = Interrupt service is masked.	0xFFFFFFFF
PRIORITY_MODE1	0x4A000030	R/W	IRQ priority mode register	0x00000000
PRIORITY_UPDATE1	0x4A000034	R/W	IRQ priority update register	0x7F
SRCPND 2	0X4A000040	R/W	Indicate the interrupt request status for group 2.. 0 = The interrupt has not been requested. 1 = The interrupt source has asserted the interrupt	0x00000000

Register	Address	R/W	Description	Reset Value
			request.	
INTMOD 2	0X4A000044	R/W	Interrupt mode register for group 2. 0 = IRQ mode 1 = FIQ mode	0x00000000
INTMSK2	0X4A000048	R/W	Determine which interrupt source of group 2 is masked. The masked interrupt source will not be serviced. 0 = Interrupt service is available. 1 = Interrupt service is masked.	0xFFFFFFFF
INTPND2	0X4A000050	R/W	Indicate the interrupt request status for group 2. 0 = The interrupt has not been requested. 1 = The interrupt source has asserted the interrupt request.	0x00000000
INTOFFSET2	0X4A000054	R	Indicate the IRQ interrupt request source for group 2	0x00000000
PRIORITY_MODE2	0x4A000070	R/W	IRQ priority mode register 2	0x00000000
PRIORITY_UPDATE2	0x4A000074	R/W	IRQ priority update register 2	0x7F

2.1 SOURCE PENDING (SRCPND) REGISTER

The SRCPND register is composed of 32 bits each of which is related to an interrupt source. Each bit is set to 1 if the corresponding interrupt source generates the interrupt request and waits for the interrupt to be serviced. Accordingly, this register indicates which interrupt source is waiting for the request to be serviced. Note that each bit of the SRCPND register is automatically set by the interrupt sources regardless of the masking bits in the INTMASK register. In addition, the SRCPND register is not affected by the priority logic of interrupt controller.

In the interrupt service routine for a specific interrupt source, the corresponding bit of the SRCPND register has to be cleared to get the interrupt request from the same source correctly. If you return from the ISR without clearing the bit, the interrupt controller operates as if another interrupt request came in from the same source. In other words, if a specific bit of the SRCPND register is set to 1, it is always considered as a valid interrupt request waiting to be serviced.

The time to clear the corresponding bit depends on the user's requirement. If you want to receive another valid request from the same source, you should clear the corresponding bit first, and then enable the interrupt.

You can clear a specific bit of the SRCPND register by writing a data to this register. It clears only the bit positions of the SRCPND corresponding to those set to one in the data. The bit positions corresponding to those that are set to 0 in the data remains as they are.

SOURCE PENDING (SRCPND 1) REGISTER FOR GROUP 1

Register	Address	R/W	Description	Reset Value
SRCPND 1	0X4A000000	R/W	Indicate the interrupt request status for group 1. 0 = The interrupt has not been requested. 1 = The interrupt source has asserted the interrupt request.	0x00000000
SRCPND 2	0X4A000040	R/W	Indicate the interrupt request status for group 2.. 0 = The interrupt has not been requested. 1 = The interrupt source has asserted the interrupt request.	0x00000000

SRCPND 1	Bit	Description	Initial State
INT_ADC	[31]	0 = Not requested, 1 = Requested	0
INT_RTC	[30]	0 = Not requested, 1 = Requested	0
Reserved	[29]	0 = Not requested, 1 = Requested	0
INT_UART0	[28]	0 = Not requested, 1 = Requested	0
INT_IIC0	[27]	0 = Not requested, 1 = Requested	0
INT_USBH	[26]	0 = Not requested, 1 = Requested	0
INT_USBD	[25]	0 = Not requested, 1 = Requested	0
INT_NAND	[24]	0 = Not requested, 1 = Requested	0
INT_UART1	[23]	0 = Not requested, 1 = Requested	0
INT_SPI0	[22]	0 = Not requested, 1 = Requested	0
INT_SDI0	[21]	0 = Not requested, 1 = Requested	0
INT_SDI1	[20]	0 = Not requested, 1 = Requested	0
Reserved	[19]	0 = Not requested, 1 = Requested	0

SRCPND 1	Bit	Description	Initial State
INT_UART3	[18]	0 = Not requested, 1 = Requested	0
INT_DMA	[17]	0 = Not requested, 1 = Requested	0
INT_LCD	[16]	0 = Not requested, 1 = Requested	0
INT_UART2	[15]	0 = Not requested, 1 = Requested	0
INT_TIMER4	[14]	0 = Not requested, 1 = Requested	0
INT_TIMER3	[13]	0 = Not requested, 1 = Requested	0
INT_TIMER2	[12]	0 = Not requested, 1 = Requested	0
INT_TIMER1	[11]	0 = Not requested, 1 = Requested	0
INT_TIMER0	[10]	0 = Not requested, 1 = Requested	0
INT_WDT/AC97	[9]	0 = Not requested, 1 = Requested	0
INT_TICK	[8]	0 = Not requested, 1 = Requested	0
nBATT_FLT	[7]	0 = Not requested, 1 = Requested	0
Reserved	[6]	0 = Not requested, 1 = Requested	0
EINT8_15	[5]	0 = Not requested, 1 = Requested	0
EINT4_7	[4]	0 = Not requested, 1 = Requested	0
EINT3	[3]	0 = Not requested, 1 = Requested	0
EINT2	[2]	0 = Not requested, 1 = Requested	0
EINT1	[1]	0 = Not requested, 1 = Requested	0
EINT0	[0]	0 = Not requested, 1 = Requested	0
SRCPND 2	Bit	Description	Initial State
Reserved	[7]	0 = Not requested, 1 = Requested	0
INT_I2S0	[6]	0 = Not requested, 1 = Requested	0
Reserved	[5]	0 = Not requested, 1 = Requested	0
INT_PCM0	[4]	0 = Not requested, 1 = Requested	0
Reserved	[3]	0 = Not requested, 1 = Requested	0
Reserved	[2]	0 = Not requested, 1 = Requested	0
Reserved	[1]	0 = Not requested, 1 = Requested	0
INT_2D	[0]	0 = Not requested, 1 = Requested	0

2.2 INTERRUPT MODE (INTMOD) REGISTER

This register is composed of 32 bits each of which is related to an interrupt source. If a specific bit is set to 1, the corresponding interrupt is processed in the FIQ (fast interrupt) mode. Otherwise, it is processed in the IRQ mode (normal interrupt).

Note that only one interrupt source can be serviced in the FIQ mode in the interrupt controller (you should use the FIQ mode only for the urgent interrupt). Thus, only one bit of INTMOD can be set to 1.

Register	Address	R/W	Description	Reset Value
INTMOD 1	0X4A000004	R/W	Interrupt mode regiseter for group 1. 0 = IRQ mode 1 = FIQ mode	0x00000000
INTMOD 2	0X4A000044	R/W	Interrupt mode regiseter for group 2. 0 = IRQ mode 1 = FIQ mode	0x00000000

NOTE: If an interrupt mode is set to FIQ mode in the INTMOD register, FIQ interrupt will not affect both INT_PND and INT_OFFSET registers. In this case, the two registers are valid only for IRQ mode interrupt source.

INTMOD1	Bit	Description	Initial State
INT_ADC	[31]	0 = IRQ, 1 = FIQ	0
INT_RTC	[30]	0 = IRQ, 1 = FIQ	0
Reserved	[29]	0 = IRQ, 1 = FIQ	0
INT_UART0	[28]	0 = IRQ, 1 = FIQ	0
INT_IIC0	[27]	0 = IRQ, 1 = FIQ	0
INT_USBH	[26]	0 = IRQ, 1 = FIQ	0
INT_USBD	[25]	0 = IRQ, 1 = FIQ	0
INT_NAND	[24]	0 = IRQ, 1 = FIQ	0
INT_UART1	[23]	0 = IRQ, 1 = FIQ	0
INT_SPI0	[22]	0 = IRQ, 1 = FIQ	0
INT_SDI0	[21]	0 = IRQ, 1 = FIQ	0
INT_SDI1	[20]	0 = IRQ, 1 = FIQ	0
Reserved	[19]	0 = IRQ, 1 = FIQ	0
INT_UART3	[18]	0 = IRQ, 1 = FIQ	0
INT_DMA	[17]	0 = IRQ, 1 = FIQ	0
INT_LCD	[16]	0 = IRQ, 1 = FIQ	0
INT_UART2	[15]	0 = IRQ, 1 = FIQ	0
INT_TIMER4	[14]	0 = IRQ, 1 = FIQ	0
INT_TIMER3	[13]	0 = IRQ, 1 = FIQ	0
INT_TIMER2	[12]	0 = IRQ, 1 = FIQ	0
INT_TIMER1	[11]	0 = IRQ, 1 = FIQ	0
INT_TIMER0	[10]	0 = IRQ, 1 = FIQ	0

INTMOD1	Bit	Description	Initial State
INT_WDT/AC97	[9]	0 = IRQ, 1 = FIQ	0
INT_TICK	[8]	0 = IRQ, 1 = FIQ	0
nBATT_FLT	[7]	0 = IRQ, 1 = FIQ	0
Reserved	[6]	0 = IRQ, 1 = FIQ	0
EINT8_15	[5]	0 = IRQ, 1 = FIQ	0
EINT4_7	[4]	0 = IRQ, 1 = FIQ	0
EINT3	[3]	0 = IRQ, 1 = FIQ	0
EINT2	[2]	0 = IRQ, 1 = FIQ	0
EINT1	[1]	0 = IRQ, 1 = FIQ	0
EINT0	[0]	0 = IRQ, 1 = FIQ	0
INTMOD2	Bit	Description	Initial State
Reserved	[7]	0 = IRQ, 1 = FIQ	0
INT_I2S0	[6]	0 = IRQ, 1 = FIQ	0
Reserved	[5]	0 = IRQ, 1 = FIQ	0
INT_PCM0	[4]	0 = IRQ, 1 = FIQ	0
Reserved	[3]	0 = IRQ, 1 = FIQ	0
Reserved	[2]	0 = IRQ, 1 = FIQ	0
Reserved	[1]	0 = IRQ, 1 = FIQ	0
INT_2D	[0]	0 = IRQ, 1 = FIQ	0

2.3 INTERRUPT MASK (INTMSK) REGISTER

This register also has 32 bits each of which is related to an interrupt source. If a specific bit is set to 1, the CPU does not service the interrupt request from the corresponding interrupt source (note that even in such a case, the corresponding bit of SRCPND register is set to 1). If the mask bit is 0, the interrupt request can be serviced.

Register	Address	R/W	Description	Reset Value
INTMSK1	0X4A000008	R/W	Determine which interrupt source of group 1 is masked. The masked interrupt source will not be serviced. 0 = Interrupt service is available. 1 = Interrupt service is masked.	0xFFFFFFFF
INTMSK2	0X4A000048	R/W	Determine which interrupt source of group 2 is masked. The masked interrupt source will not be serviced. 0 = Interrupt service is available. 1 = Interrupt service is masked.	0xFFFFFFFF

INTMSK1	Bit	Description	Initial State
INT_ADC	[31]	0 = Service available, 1 = Masked	1
INT_RTC	[30]	0 = Service available, 1 = Masked	1
Reserved	[29]	0 = Service available, 1 = Masked	1
INT_UART0	[28]	0 = Service available, 1 = Masked	1
INT_IIC0	[27]	0 = Service available, 1 = Masked	1
INT_USBH	[26]	0 = Service available, 1 = Masked	1
INT_USBD	[25]	0 = Service available, 1 = Masked	1
INT_NAND	[24]	0 = Service available, 1 = Masked	1
INT_UART1	[23]	0 = Service available, 1 = Masked	1
INT_SPI0	[22]	0 = Service available, 1 = Masked	1
INT_SDI0	[21]	0 = Service available, 1 = Masked	1
INT_SDI1	[20]	0 = Service available, 1 = Masked	1
Reserved	[19]	0 = Service available, 1 = Masked	1
INT_UART3	[18]	0 = Service available, 1 = Masked	1
INT_DMA	[17]	0 = Service available, 1 = Masked	1
INT_LCD	[16]	0 = Service available, 1 = Masked	1
INT_UART2	[15]	0 = Service available, 1 = Masked	1
INT_TIMER4	[14]	0 = Service available, 1 = Masked	1
INT_TIMER3	[13]	0 = Service available, 1 = Masked	1
INT_TIMER2	[12]	0 = Service available, 1 = Masked	1
INT_TIMER1	[11]	0 = Service available, 1 = Masked	1
INT_TIMER0	[10]	0 = Service available, 1 = Masked	1
INT_WDT/AC97	[9]	0 = Service available, 1 = Masked	1

INTMSK1	Bit	Description	Initial State
INT_TICK	[8]	0 = Service available, 1 = Masked	1
nBATT_FLT	[7]	0 = Service available, 1 = Masked	1
Reserved	[6]	0 = Service available, 1 = Masked	1
EINT8_15	[5]	0 = Service available, 1 = Masked	1
EINT4_7	[4]	0 = Service available, 1 = Masked	1
EINT3	[3]	0 = Service available, 1 = Masked	1
EINT2	[2]	0 = Service available, 1 = Masked	1
EINT1	[1]	0 = Service available, 1 = Masked	1
EINT0	[0]	0 = Service available, 1 = Masked	1
INTMSK2	Bit	Description	Initial State
Reserved	[7]	0 = Service available, 1 = Masked	1
INT_I2S0	[6]	0 = Service available, 1 = Masked	1
Reserved	[5]	0 = Service available, 1 = Masked	1
INT_PCM0	[4]	0 = Service available, 1 = Masked	1
Reserved	[3]	0 = Service available, 1 = Masked	1
Reserved	[2]	0 = Service available, 1 = Masked	1
Reserved	[1]	0 = Service available, 1 = Masked	1
INT_2D	[0]	0 = Service available, 1 = Masked	1

2.4 INTERRUPT PENDING (INTPND) REGISTER

Each of the 32 bits in the interrupt pending register shows whether the corresponding interrupt request, which is unmasked and waits for the interrupt to be serviced, has the highest priority. Since the INTPND register is located after the priority logic, only one bit can be set to 1, and that interrupt request generates IRQ to CPU. In interrupt service routine for IRQ, you can read this register to determine which interrupt source is serviced among the 32 sources.

Like the SRCPND register, this register has to be cleared in the interrupt service routine after clearing the SRCPND register. We can clear a specific bit of the INTPND register by writing a data to this register. It clears only the bit positions of the INTPND register corresponding to those set to one in the data. The bit positions corresponding to those that are set to 0 in the data remains as they are.

Register	Address	R/W	Description	Reset Value
INTPND1	0X4A000010	R/W	Indicate the interrupt request status for group 1. 0 = The interrupt has not been requested. 1 = The interrupt source has asserted the interrupt request.	0x00000000
INTPND2	0X4A000050	R/W	Indicate the interrupt request status for group 2. 0 = The interrupt has not been requested. 1 = The interrupt source has asserted the interrupt request.	0x00000000

NOTES:

1. If the FIQ mode interrupt occurs, the corresponding bit of INTPND will not be turned on as the INTPND register is available only for IRQ mode interrupt.
2. Cautions in clearing the INTPND register. The INTPND register is cleared to "0" by writing "1". If the INTPND bit, which has "1", is cleared by "0", the INTPND register & INTOFFSET register may have unexpected value in some case. So, you never write "0" on the INTPND bit having "1". The convenient method to clear the INTPND register is writing the INTPND register value on the INTPND register. (In even our example code, this guide hasn't been applied yet.)

INTPND1	Bit	Description	Initial State
INT_ADC	[31]	0 = Not requested, 1 = Requested	0
INT_RTC	[30]	0 = Not requested, 1 = Requested	0
Reserved	[29]	0 = Not requested, 1 = Requested	0
INT_UART0	[28]	0 = Not requested, 1 = Requested	0
INT_IIC0	[27]	0 = Not requested, 1 = Requested	0
INT_USBH	[26]	0 = Not requested, 1 = Requested	0
INT_USBD	[25]	0 = Not requested, 1 = Requested	0
INT_NAND	[24]	0 = Not requested, 1 = Requested	0
INT_UART1	[23]	0 = Not requested, 1 = Requested	0
INT_SPI0	[22]	0 = Not requested, 1 = Requested	0
INT_SDI0	[21]	0 = Not requested, 1 = Requested	0
INT_SDI1	[20]	0 = Not requested, 1 = Requested	0
Reserved	[19]	0 = Not requested, 1 = Requested	0

INTPND1	Bit	Description	Initial State
INT_UART3	[18]	0 = Not requested, 1 = Requested	0
INT_DMA	[17]	0 = Not requested, 1 = Requested	0
INT_LCD	[16]	0 = Not requested, 1 = Requested	0
INT_UART2	[15]	0 = Not requested, 1 = Requested	0
INT_TIMER4	[14]	0 = Not requested, 1 = Requested	0
INT_TIMER3	[13]	0 = Not requested, 1 = Requested	0
INT_TIMER2	[12]	0 = Not requested, 1 = Requested	0
INT_TIMER1	[11]	0 = Not requested, 1 = Requested	0
INT_TIMER0	[10]	0 = Not requested, 1 = Requested	0
INT_WDT/AC97	[9]	0 = Not requested, 1 = Requested	0
INT_TICK	[8]	0 = Not requested, 1 = Requested	0
nBATT_FLT	[7]	0 = Not requested, 1 = Requested	0
Reserved	[6]	0 = Not requested, 1 = Requested	0
EINT8_15	[5]	0 = Not requested, 1 = Requested	0
EINT4_7	[4]	0 = Not requested, 1 = Requested	0
EINT3	[3]	0 = Not requested, 1 = Requested	0
EINT2	[2]	0 = Not requested, 1 = Requested	0
EINT1	[1]	0 = Not requested, 1 = Requested	0
EINT0	[0]	0 = Not requested, 1 = Requested	0
INTPND2	Bit	Description	Initial State
INT_I2S1	[7]	0 = Not requested, 1 = Requested	0
INT_I2S0	[6]	0 = Not requested, 1 = Requested	0
INT_PCM1	[5]	0 = Not requested, 1 = Requested	0
INT_PCM0	[4]	0 = Not requested, 1 = Requested	0
Reserved	[3]	0 = Not requested, 1 = Requested	0
Reserved	[2]	0 = Not requested, 1 = Requested	0
INT_IIC1	[1]	0 = Not requested, 1 = Requested	0
INT_2D	[0]	0 = Not requested, 1 = Requested	0

2.5 INTERRUPT OFFSET (INTOFFSET) REGISTER

The value in the interrupt offset register shows, which interrupt request of IRQ mode is in the INTPND register. This bit can be cleared automatically by clearing SRCPND and INTPND.

Register	Address	R/W	Description	Reset Value
INTOFFSET1	0X4A000014	R	Indicate the IRQ interrupt request source for group 1	0x00000000
INTOFFSET2	0X4A000054	R	Indicate the IRQ interrupt request source for group 2	0x00000000

INT Source for group 1	The OFFSET Value	INT Source for group 1	The OFFSET Value
INT_ADC	31	INT_UART2	15
INT_RTC	30	INT_TIMER4	14
Reserved	29	INT_TIMER3	13
INT_UART0	28	INT_TIMER2	12
INT_IIC0	27	INT_TIMER1	11
INT_USBH	26	INT_TIMER0	10
INT_USBD	25	INT_WDT/AC97	9
INT_NAND	24	INT_TICK	8
INT_UART1	23	nBATT_FLT	7
INT_SPIO	22	Reserved	6
INT_SDI0	21	EINT8_15	5
INT_SDI1	20	EINT4_7	4
Reserved	19	EINT3	3
INT_UART3	18	EINT2	2
INT_DMA	17	EINT1	1
INT_LCD	16	EINT0	0
INT Source for group 2	The OFFSET Value	INT Source for group 2	The OFFSET Value
Reserved	31	Reserved	15
Reserved	30	Reserved	14
Reserved	29	Reserved	13
Reserved	28	Reserved	12
Reserved	27	Reserved	11
Reserved	26	Reserved	10
Reserved	25	Reserved	9
Reserved	24	Reserved	8
Reserved	23	Reserved	7
Reserved	22	INT_I2S0	6
Reserved	21	Reserved	5
Reserved	20	INT_PCM0	4

INT Source for group 2	The OFFSET Value	INT Source for group 2	The OFFSET Value
Reserved	19	Reserved	3
Reserved	18	Reserved	2
Reserved	17	Reserved	1
Reserved	16	INT_2D	0

NOTE: FIQ mode interrupt does not affect the INTOFFSET register as the register is available only for IRQ mode interrupt.

2.6 SUB SOURCE PENDING (SUBSRCPND) REGISTER

You can clear a specific bit of the SUBSRCPND register by writing a data to this register. It clears only the bit positions of the SUBSRCPND register corresponding to those set to one in the data. The bit positions corresponding to those that are set to 0 in the data remains as they are.

Register	Address	R/W	Description	Reset Value
SUBSRCPND	0X4A000018	R/W	Indicate the interrupt request status. 0 = The interrupt has not been requested. 1 = The interrupt source has asserted the interrupt request.	0x00000000

SUBSRCPND	Bit	Description	SRCPND	Initial State
Reserved	[31:29]	Not used	Reserved	0
Reserved	[30]	Not used		0
Reserved	[29]	Not used		0
SUBINT_AC97	[28]	0 = Not requested, 1 = Requested	INT_WDT_AC97	0
SUBINT_WDT	[27]	0 = Not requested, 1 = Requested		0
SUBINT_ERR3	[26]	0 = Not requested, 1 = Requested	INT_UART3	0
SUBINT_TXD3	[25]	0 = Not requested, 1 = Requested		0
SUBINT_RXD3	[24]	0 = Not requested, 1 = Requested		0
SUBINT_DMA5	[23]	0 = Not requested, 1 = Requested	INT_DMA	0
SUBINT_DMA4	[22]	0 = Not requested, 1 = Requested		0
SUBINT_DMA3	[21]	0 = Not requested, 1 = Requested		0
SUBINT_DMA2	[20]	0 = Not requested, 1 = Requested		0
SUBINT_DMA1	[19]	0 = Not requested, 1 = Requested		0
SUBINT_DMA0	[18]	0 = Not requested, 1 = Requested		0
SUBINT_LCD4 (i80 I/F)	[17]	0 = Not requested, 1 = Requested	INT_LCD	0
SUBINT_LCD3 (LCD Frame)	[16]	0 = Not requested, 1 = Requested		0
SUBINT_LCD2 (LCD FIFO)	[15]	0 = Not requested, 1 = Requested		0
Reserved	[14]	Not used		0
Reserved	[13]	Not used	Reserved	0
Reserved	[12]	Not used		0
Reserved	[11]	Not used		0
SUBINT_ADC	[10]	0 = Not requested, 1 = Requested	INT_ADC	0
SUBINT_TC	[9]	0 = Not requested, 1 = Requested		0
SUBINT_ERR2	[8]	0 = Not requested, 1 = Requested	INT_UART2	0
SUBINT_TXD2	[7]	0 = Not requested, 1 = Requested		0
SUBINT_RXD2	[6]	0 = Not requested, 1 = Requested		0

SUBSRCPND	Bit	Description	SRCPND	Initial State
SUBINT_ERR1	[5]	0 = Not requested, 1 = Requested	INT_UART1	0
SUBINT_TXD1	[4]	0 = Not requested, 1 = Requested		0
SUBINT_RXD1	[3]	0 = Not requested, 1 = Requested		0
SUBINT_ERR0	[2]	0 = Not requested, 1 = Requested	INT_UART0	0
SUBINT_TXD0	[1]	0 = Not requested, 1 = Requested		0
SUBINT_RXD0	[0]	0 = Not requested, 1 = Requested		0

2.7 INTERRUPT SUB MASK (INTSUBMSK) REGISTER

This register has 27 bits each of which is related to an interrupt source. If a specific bit is set to 1, the interrupt request from the corresponding interrupt source is not serviced by the CPU (note that even in such a case, the corresponding bit of the SUBSRCPND register is set to 1). If the mask bit is 0, the interrupt request can be serviced.

Register	Address	R/W	Description	Reset Value
INTSUBMSK	0X4A00001C	R/W	Determine which interrupt source is masked. The masked interrupt source will not be serviced. 0 = Interrupt service is available. 1 = Interrupt service is masked.	0xFFFFFFFF

INTSUBMASK	Bit	Description	INTMASK	Initial State
Reserved	[31]	Not used	Reserved	1
Reserved	[30]	Not used		1
Reserved	[29]	Not used		1
SUBINT_AC97	[28]	0 = Service available, 1 = Masked	INT_WDT_AC97	1
SUBINT_WDT	[27]	0 = Service available, 1 = Masked		1
SUBINT_ERR3	[26]	0 = Service available, 1 = Masked	INT_UART3	1
SUBINT_TXD3	[25]	0 = Service available, 1 = Masked		1
SUBINT_RXD3	[24]	0 = Service available, 1 = Masked		1
SUBINT_DMA5	[23]	0 = Service available, 1 = Masked	INT_DMA	1
SUBINT_DMA4	[22]	0 = Service available, 1 = Masked		1
SUBINT_DMA3	[21]	0 = Service available, 1 = Masked		1
SUBINT_DMA2	[20]	0 = Service available, 1 = Masked		1
SUBINT_DMA1	[19]	0 = Service available, 1 = Masked		1
SUBINT_DMA0	[18]	0 = Service available, 1 = Masked		1
SUBINT_LCD4 (i80 I/F)	[17]	0 = Service available, 1 = Masked	INT_LCD	1
SUBINT_LCD3 (LCD Frame)	[16]	0 = Service available, 1 = Masked		1
SUBINT_LCD2 (LCD FIFO)	[15]	0 = Service available, 1 = Masked		1
Reserved	[14]	Not used		1
Reserved	[13]	Not used	Reserved	1
Reserved	[12]	Not used		1
Reserved	[11]	Not used		1
SUBINT_ADC	[10]	0 = Service available, 1 = Masked	INT_ADC	1
SUBINT_TC	[9]	0 = Service available, 1 = Masked		1
SUBINT_ERR2	[8]	0 = Service available, 1 = Masked	INT_UART2	1
SUBINT_TXD2	[7]	0 = Service available, 1 = Masked		1

INTSUBMASK	Bit	Description	INTMASK	Initial State
SUBINT_RXD2	[6]	0 = Service available, 1 = Masked		1
SUBINT_ERR1	[5]	0 = Service available, 1 = Masked	INT_UART1	1
SUBINT_TXD1	[4]	0 = Service available, 1 = Masked		1
SUBINT_RXD1	[3]	0 = Service available, 1 = Masked		1
SUBINT_ERR0	[2]	0 = Service available, 1 = Masked	INT_UART0	1
SUBINT_TXD0	[1]	0 = Service available, 1 = Masked		1
SUBINT_RXD0	[0]	0 = Service available, 1 = Masked		1

2.8 PRIORITY MODE REGISTER (PRIORITY_MODE)

Register	Address	R/W	Description	Reset Value
PRIORITY_MODE1	0x4A000030	R/W	IRQ priority mode register	0x00000000
PRIORITY_MODE2	0x4A000070	R/W	IRQ priority mode register	0x00000000

PRIORITY_MODE1	Bit	Description	Initial State
ARB_MODE6	[27]	Arbiter 6 group priority mode selection 0 = Fixed ends & Rotate middle 1 = Rotate all	0
ARB_SEL6	[26:24]	Arbiter 6 group priority order set 1) ARB_MODE6 = 1'b0 00 = REQ 0-1-2-3-4-5 01 = REQ 0-2-3-4-1-5 10 = REQ 0-3-4-1-2-5 11 = REQ 0-4-1-2-3-5 2) ARB_MODE6 = 1'b1 000 = REQ 0-1-2-3-4-5 001 = REQ 1-2-3-4-5-0 010 = REQ 2-3-4-5-0-1 011 = REQ 3-4-5-0-1-2 100 = REQ 4-5-0-1-2-3 101 = REQ 5-0-1-2-3-4	0
ARB_MODE5	[23]	Arbiter 5 group priority mode selection 0 = Fixed ends & Rotate middle	0
ARB_SEL5	[22:20]	Arbiter 5 group priority order set 1) ARB_MODE5 = 1'b0 00 = REQ 0-1-2-3-4-5 01 = REQ 0-2-3-4-1-5 10 = REQ 0-3-4-1-2-5 11 = REQ 0-4-1-2-3-5	0
ARB_MODE4	[19]	Arbiter 4 group priority mode selection 0 = Fixed ends & Rotate middle 1 = Rotate all	0
ARB_SEL4	[18:16]	Arbiter 4 group priority order set 1) ARB_MODE4 = 1'b0 00 = REQ 0-1-2-3-4-5 01 = REQ 0-2-3-4-1-5 10 = REQ 0-3-4-1-2-5 11 = REQ 0-4-1-2-3-5 2) ARB_MODE4 = 1'b1 000 = REQ 0-1-2-3-4-5 001 = REQ 1-2-3-4-5-0 010 = REQ 2-3-4-5-0-1 011 = REQ 3-4-5-0-1-2 100 = REQ 4-5-0-1-2-3 101 = REQ 5-0-1-2-3-4	0

PRIORITY_MODE1	Bit	Description	Initial State
ARB_MODE3	[15]	Arbiter 3 group priority mode selection 0 = Fixed ends & Rotate middle 1 = Rotate all	0
ARB_SEL3	[14:12]	Arbiter 3 group priority order set 1) ARB_MODE3 = 1'b0 00 = REQ 0-1-2-3-4-5 01 = REQ 0-2-3-4-1-5 10 = REQ 0-3-4-1-2-5 11 = REQ 0-4-1-2-3-5 2) ARB_MODE3 = 1'b1 000 = REQ 0-1-2-3-4-5 001 = REQ 1-2-3-4-5-0 010 = REQ 2-3-4-5-0-1 011 = REQ 3-4-5-0-1-2 100 = REQ 4-5-0-1-2-3 101 = REQ 5-0-1-2-3-4	0
ARB_MODE2	[11]	Arbiter 2 group priority mode selection 0 = Fixed ends & Rotate middle 1 = Rotate all	0
ARB_SEL2	[10:8]	Arbiter 2 group priority order set 1) ARB_MODE2 = 1'b0 00 = REQ 0-1-2-3-4-5 01 = REQ 0-2-3-4-1-5 10 = REQ 0-3-4-1-2-5 11 = REQ 0-4-1-2-3-5 2) ARB_MODE2 = 1'b1 000 = REQ 0-1-2-3-4-5 001 = REQ 1-2-3-4-5-0 010 = REQ 2-3-4-5-0-1 011 = REQ 3-4-5-0-1-2 100 = REQ 4-5-0-1-2-3 101 = REQ 5-0-1-2-3-4	0
ARB_MODE1	[7]	Arbiter 1 group priority mode selection 0 = Fixed ends & Rotate middle 1 = Rotate all	0
ARB_SEL1	[6:4]	Arbiter 1 group priority order set 1) ARB_MODE1 = 1'b0 00 = REQ 0-1-2-3-4-5 01 = REQ 0-2-3-4-1-5 10 = REQ 0-3-4-1-2-5 11 = REQ 0-4-1-2-3-5 2) ARB_MODE1 = 1'b1 000 = REQ 0-1-2-3-4-5 001 = REQ 1-2-3-4-5-0 010 = REQ 2-3-4-5-0-1 011 = REQ 3-4-5-0-1-2 100 = REQ 4-5-0-1-2-3	0

PRIORITY_MODE1	Bit	Description	Initial State
		101 = REQ 5-0-1-2-3-4	
ARB_MODE0	[3]	Arbiter 0 group priority mode selection 0 = Fixed ends & Rotate middle	0
ARB_SEL0	[2:0]	Arbiter 0 group priority order set 1) ARB_MODE0 = 1'b0 00 = REQ 0-1-2-3-4-5 01 = REQ 0-2-3-4-1-5 10 = REQ 0-3-4-1-2-5 11 = REQ 0-4-1-2-3-5	0

PRIORITY_MODE2	Bit	Description	Initial State
ARB_MODE13	[27]	Arbiter 13 group priority mode selection 0 = Fixed ends & Rotate middle 1 = Rotate all	0
ARB_SEL13	[26:24]	Arbiter 13 group priority order set 1) ARB_MODE13 = 1'b0 00 = REQ 0-1-2-3-4-5 01 = REQ 0-2-3-4-1-5 10 = REQ 0-3-4-1-2-5 11 = REQ 0-4-1-2-3-5 2) ARB_MODE13 = 1'b1 000 = REQ 0-1-2-3-4-5 001 = REQ 1-2-3-4-5-0 010 = REQ 2-3-4-5-0-1 011 = REQ 3-4-5-0-1-2 100 = REQ 4-5-0-1-2-3 101 = REQ 5-0-1-2-3-4	0
ARB_MODE12	[23]	Arbiter 12 group priority mode selection 0 = Fixed ends & Rotate middle	0
ARB_SEL12	[22:20]	Arbiter 12 group priority order set 1) ARB_MODE12 = 1'b0 00 = REQ 0-1-2-3-4-5 01 = REQ 0-2-3-4-1-5 10 = REQ 0-3-4-1-2-5 11 = REQ 0-4-1-2-3-5	0
ARB_MODE11	[19]	Arbiter 11 group priority mode selection 0 = Fixed ends & Rotate middle 1 = Rotate all	0
ARB_SEL11	[18:16]	Arbiter 11 group priority order set 1) ARB_MODE11 = 1'b0 00 = REQ 0-1-2-3-4-5 01 = REQ 0-2-3-4-1-5 10 = REQ 0-3-4-1-2-5 11 = REQ 0-4-1-2-3-5 2) ARB_MODE11 = 1'b1 000 = REQ 0-1-2-3-4-5 001 = REQ 1-2-3-4-5-0 010 = REQ 2-3-4-5-0-1 011 = REQ 3-4-5-0-1-2 100 = REQ 4-5-0-1-2-3 101 = REQ 5-0-1-2-3-4	0
ARB_MODE10	[15]	Arbiter 10 group priority mode selection 0 = Fixed ends & Rotate middle 1 = Rotate all	0
ARB_SEL10	[14:12]	Arbiter 10 group priority order set	0

PRIORITY_MODE2	Bit	Description	Initial State
		1) ARB_MODE10 = 1'b0 00 = REQ 0-1-2-3-4-5 01 = REQ 0-2-3-4-1-5 10 = REQ 0-3-4-1-2-5 11 = REQ 0-4-1-2-3-5 2) ARB_MODE10 = 1'b1 000 = REQ 0-1-2-3-4-5 001 = REQ 1-2-3-4-5-0 010 = REQ 2-3-4-5-0-1 011 = REQ 3-4-5-0-1-2 100 = REQ 4-5-0-1-2-3 101 = REQ 5-0-1-2-3-4	
ARB_MODE9	[11]	Arbiter 9 group priority mode selection 0 = Fixed ends & Rotate middle 1 = Rotate all	0
ARB_SEL9	[10:8]	Arbiter 9 group priority order set 1) ARB_MODE9 = 1'b0 00 = REQ 0-1-2-3-4-5 01 = REQ 0-2-3-4-1-5 10 = REQ 0-3-4-1-2-5 11 = REQ 0-4-1-2-3-5 2) ARB_MODE9 = 1'b1 000 = REQ 0-1-2-3-4-5 001 = REQ 1-2-3-4-5-0 010 = REQ 2-3-4-5-0-1 011 = REQ 3-4-5-0-1-2 100 = REQ 4-5-0-1-2-3 101 = REQ 5-0-1-2-3-4	0
ARB_MODE8	[7]	Arbiter 8 group priority mode selection 0 = Fixed ends & Rotate middle 1 = Rotate all	0
ARB_SEL8	[6:4]	Arbiter 8 group priority order set 1) ARB_MODE8 = 1'b0 00 = REQ 0-1-2-3-4-5 01 = REQ 0-2-3-4-1-5 10 = REQ 0-3-4-1-2-5 11 = REQ 0-4-1-2-3-5 2) ARB_MODE8 = 1'b1 000 = REQ 0-1-2-3-4-5 001 = REQ 1-2-3-4-5-0 010 = REQ 2-3-4-5-0-1 011 = REQ 3-4-5-0-1-2 100 = REQ 4-5-0-1-2-3 101 = REQ 5-0-1-2-3-4	0
ARB_MODE7	[3]	Arbiter 7 group priority mode selection 0 = Fixed ends & Rotate middle	0

PRIORITY_MODE2	Bit	Description	Initial State
ARB_SEL7	[2:0]	Arbiter 7 group priority order set 1) ARB_MODE7 = 1'b0 00 = REQ 0-1-2-3-4-5 01 = REQ 0-2-3-4-1-5 10 = REQ 0-3-4-1-2-5 11 = REQ 0-4-1-2-3-5	0

2.9 PRIORITY UPDATE REGISTER (PRIORITY_UPDATE)

Register	Address	R/W	Description	Reset Value
PRIORITY_UPDATE1	0x4A000034	R/W	IRQ priority update register	0x7F
PRIORITY_UPDATE2	0x4A000074	R/W	IRQ priority update register	0x7F

PRIORITY_UPDATE1	Bit	Description	Initial State
ARB_UPDATE6	[6]	Arbiter 6 group priority rotate enable 0 = Priority does not rotate 1 = Priority rotate enable	1
ARB_UPDATE5	[5]	Arbiter 5 group priority rotate enable 0 = Priority does not rotate 1 = Priority rotate enable	1
ARB_UPDATE4	[4]	Arbiter 4 group priority rotate enable 0 = Priority does not rotate 1 = Priority rotate enable	1
ARB_UPDATE3	[3]	Arbiter 3 group priority rotate enable 0 = Priority does not rotate 1 = Priority rotate enable	1
ARB_UPDATE2	[2]	Arbiter 2 group priority rotate enable 0 = Priority does not rotate 1 = Priority rotate enable	1
ARB_UPDATE1	[1]	Arbiter 1 group priority rotate enable 0 = Priority does not rotate 1 = Priority rotate enable	1
ARB_UPDATE0	[0]	Arbiter 0 group priority rotate enable 0 = Priority does not rotate 1 = Priority rotate enable	1

PRIORITY_UPDATE2	Bit	Description	Initial State
ARB_UPDATE13	[6]	Arbiter 13 group priority rotate enable 0 = Priority does not rotate 1 = Priority rotate enable	1
ARB_UPDATE12	[5]	Arbiter 12 group priority rotate enable 0 = Priority does not rotate 1 = Priority rotate enable	1
ARB_UPDATE11	[4]	Arbiter 11 group priority rotate enable 0 = Priority does not rotate 1 = Priority rotate enable	1
ARB_UPDATE10	[3]	Arbiter 10 group priority rotate enable 0 = Priority does not rotate 1 = Priority rotate enable	1
ARB_UPDATE9	[2]	Arbiter 9 group priority rotate enable 0 = Priority does not rotate 1 = Priority rotate enable	1
ARB_UPDATE8	[1]	Arbiter 8 group priority rotate enable 0 = Priority does not rotate 1 = Priority rotate enable	1
ARB_UPDATE7	[0]	Arbiter 7 group priority rotate enable 0 = Priority does not rotate 1 = Priority rotate enable	1

10 I/O PORTS

1 OVERVIEW

S3C2416X has 138 multi-functional input/output port pins and there are 11 ports as shown below:

- Port A(GPA) : 25-output port
- Port B(GPB) : 9-input/output port
- Port C(GPC) : 16-input/output port
- Port D(GPD) : 16-input/output port
- Port E(GPE) : 16-input/output port
- Port F(GPF) : 8-input/output port
- Port G(GPG) : 8-input/output port
- Port H(GPH) : 15-input/output port
- Port K(GPK) : 16-input/output port
- Port L(GPL) : 7-input/output port
- Port M(GPM) : 2-input port

Each port can be easily configured by software to meet various system configurations and design requirements. You have to define which function of each pin is used before starting the main program. If a pin is not used for multiplexed functions, the pin can be configured as I/O ports.

Table 10-1. S3C2416X Port Configuration (Sheet 1)

Port A	Selectable Pin Functions			
GPA27	Output only	Reserved	–	–
GPA26	Output only	DQM3	–	–
GPA25	Output only	DQM2	–	–
GPA24	Output only	RSMAMD	–	–
GPA23	Output only	RSMCLK	–	–
GPA22	Output only	nFCE	–	–
GPA21	Output only	nRSTOUT	–	–
GPA20	Output only	nFRE	–	–
GPA19	Output only	nFWE	–	–
GPA18	Output only	ALE	–	–
GPA17	Output only	CLE	–	–
GPA16	Output only	nRCS5	–	–
GPA15	Output only	nRCS4	–	–
GPA14	Output only	nRCS3	–	–
GPA13	Output only	nRCS2	–	–
GPA12	Output only	nRCS1	–	–
Reserved	Output only	Reserved	–	–
GPA10	Reserved	RADDR25	–	–
GPA9	Output only	RADDR24	–	–
GPA8	Output only	RADDR23	–	–
GPA7	Output only	RADDR22	–	–
GPA6	Output only	RADDR21	–	–
GPA5	Output only	RADDR20	–	–
GPA4	Output only	RADDR19	–	–
GPA3	Output only	RADDR18	–	–
GPA2	Output only	RADDR17	–	–
GPA1	Output only	RADDR16	–	–
GPA0	Output only	RADDR0	–	–

Table 10-1. S3C2416X Port Configuration (Sheet 2) (Continued)

Port B	Selectable Pin Functions			
GPB10	Input/output	nXDREQ0	XDREQ0	I2SSDO_2
GPB9	Input/output	nXDACK0	XDACK0	I2SSDO_1
Reserved	Input/output	Reserved	Reserved	Reserved
Reserved	Input/output	Reserved	Reserved	Reserved
GPB6	Input/output	nXBREQ	XBREQ	RTCK
GPB5	Input/output	nXBACK	XBACK	–
GPB4	Input/output	TCLK	–	–
GPB3	Input/output	TOUT3	–	–
GPB2	Input/output	TOUT2	–	–
GPB1	Input/output	TOUT1	–	–
GPB0	Input/output	TOUT0	–	–

Port C	Selectable Pin Functions			
GPC15	Input/output	RGB_VD7/SYS_VD7	–	–
GPC14	Input/output	RGB_VD6/SYS_VD6	–	–
GPC13	Input/output	RGB_VD5/SYS_VD5	–	–
GPC12	Input/output	RGB_VD4/SYS_VD4	–	–
GPC11	Input/output	RGB_VD3/SYS_VD3	–	–
GPC10	Input/output	RGB_VD2/SYS_VD2	–	–
GPC9	Input/output	RGB_VD1/SYS_VD1	–	–
GPC8	Input/output	RGB_VD0/SYS_VD0	–	–
GPC7	Input/output	–	–	–
GPC6	Input/output	–	–	–
GPC5	Input/output	–	–	–
GPC4	Input/output	RGB_VDEN/SYS_RS	–	–
GPC3	Input/output	RGB_VSYNC/SYS_CS 1	–	–
GPC2	Input/output	RGB_HSYNC/SYS_CS 0	–	–
GPC1	Input/output	RGB_VCLK/SYS_WR	–	–
GPC0	Input/output	RGB_LEND/SYS_OE	–	–

Table 10-1. S3C2416X Port Configuration (Sheet 3) (Continued)

Port D	Selectable Pin Functions			
GPD15	Input/output	RGB_VD23	–	–
GPD14	Input/output	RGB_VD22	–	–
GPD13	Input/output	RGB_VD21	–	–
GPD12	Input/output	RGB_VD20	–	–
GPD11	Input/output	RGB_VD19	–	–
GPD10	Input/output	RGB_VD18	–	–
GPD9	Input/output	RGB_VD17/SYS_VD17	–	–
GPD8	Input/output	RGB_VD16/SYS_VD16	–	–
GPD7	Input/output	RGB_VD15/SYS_VD15	–	–
GPD6	Input/output	RGB_VD14/SYS_VD14	–	–
GPD5	Input/output	RGB_VD13/SYS_VD13	–	–
GPD4	Input/output	RGB_VD12/SYS_VD12	–	–
GPD3	Input/output	RGB_VD11/SYS_VD11	–	–
GPD2	Input/output	RGB_VD10/SYS_VD10	–	–
GPD1	Input/output	RGB_VD9/SYS_VD9	–	–
GPD0	Input/output	RGB_VD8/SYS_VD8	–	–

Port E	Selectable Pin Functions			
GPE15	Input/output	IICSDA	–	–
GPE14	Input/output	IICSCSCL	–	–
GPE13	Input/output	SPICLK0	–	–
GPE12	Input/output	SPIMOSI0	–	–
GPE11	Input/output	SPIMISO0	–	–
GPE10	Input/output	SD0_DAT3	–	–
GPE9	Input/output	SD0_DAT2	–	–
GPE8	Input/output	SD0_DAT1	–	–
GPE7	Input/output	SD0_DAT0	–	–
GPE6	Input/output	SD0_CMD	–	–
GPE5	Input/output	SD0_CLK	–	–
GPE4	Input/output	I2SSDO	AC_SDO	PCM_SDO
GPE3	Input/output	I2SSDI	AC_SDI	PCM_SDI
GPE2	Input/output	I2SCDCLK	AC_BIT_CLK	PCM_CDCLK
GPE1	Input/output	I2SSCLK	AC_SYNC	PCM_SCLK
GPE0	Input/output	I2SLRCK	AC_nRESET	PCM_FSYNC

Table 10-1. S3C2416X Port Configuration (Sheet 4) (Continued)

Port F	Selectable Pin Functions			
GPF7	Input/output	EINT7	–	–
GPF6	Input/output	EINT6	–	–
GPF5	Input/output	EINT5	–	–
GPF4	Input/output	EINT4	–	–
GPF3	Input/output	EINT3	–	–
GPF2	Input/output	EINT2	–	–
GPF1	Input/output	EINT1	–	–
GPF0	Input/output	EINT0	–	–

Port G	Selectable Pin Functions			
Reserved	Input/output	Reserved	Reserved	–
Reserved	Input/output	Reserved	Reserved	–
Reserved	Input/output	Reserved	Reserved	–
Reserved	Input/output	Reserved	Reserved	–
Reserved	Input/output	Reserved	Reserved	–
Reserved	Input/output	Reserved	Reserved	–
Reserved	Input/output	Reserved	Reserved	–
Reserved	Input/output	Reserved	Reserved	–
GPG7	Input/output	EINT15	–	–
GPG6	Input/output	EINT14	–	–
GPG5	Input/output	EINT13	–	–
GPG4	Input/output	EINT12	–	–
GPG3	Input/output	EINT11	–	–
GPG2	Input/output	EINT10	–	–
GPG1	Input/output	EINT9	–	–
GPG0	Input/output	EINT8	–	–

Table 10-1. S3C2416X Port Configuration (Sheet 5) (Continued)

Port H	Selectable Pin Functions			
GPH14	Input/output	CLKOUT1	–	–
GPH13	Input/output	CLKOUT0	–	–
GPH12	Input/output	EXTUARTCLK	–	–
GPH11	Input/output	nRTS1	–	–
GPH10	Input/output	nCTS1	–	–
GPH9	Input/output	nRTS0	–	–
GPH8	Input/output	nCTS0	–	–
GPH7	Input/output	RXD3	nCTS2	–
GPH6	Input/output	TXD3	nRTS2	–
GPH5	Input/output	RXD2	–	–
GPH4	Input/output	TXD2	–	–
GPH3	Input/output	RXD1	–	–
GPH2	Input/output	TXD1	–	–
GPH1	Input/output	RXD0	–	–
GPH0	Input/output	TXD0	–	–

Port K	Selectable Pin Functions			
GPK15	Input/output	SDATA31	–	–
GPK14	Input/output	SDATA30	–	–
GPK13	Input/output	SDATA29	–	–
GPK12	Input/output	SDATA28	–	–
GPK11	Input/output	SDATA27	–	–
GPK10	Input/output	SDATA26	–	–
GPK9	Input/output	SDATA25	–	–
GPK8	Input/output	SDATA24	–	–
GPK7	Input/output	SDATA23	–	–
GPK6	Input/output	SDATA22	–	–
GPK5	Input/output	SDATA21	–	–
GPK4	Input/output	SDATA20	–	–
GPK3	Input/output	SDATA19	–	–
GPK2	Input/output	SDATA18	–	–
GPK1	Input/output	SDATA17	–	–
GPK0	Input/output	SDATA16	–	–

Table 10-1. S3C2416X Port Configuration (Sheet7) (Continued)

Port L	Selectable Pin Functions			
Reserved	Input/output	Reserved	–	–
GPL13	Input/output	SS	–	–
Reserved	Input/output	Reserved	–	–
Reserved	Input/output	Reserved	–	–
Reserved	Input/output	Reserved	–	–
GPL9	Input/output	SD1_CLK	–	–
GPL8	Input/output	SD1_CMD	–	–
Reserved	Input/output	Reserved	Reserved	Reserved
Reserved	Input/output	Reserved	Reserved	Reserved
Reserved	Input/output	Reserved	Reserved	Reserved
Reserved	Input/output	Reserved	Reserved	Reserved
GPL3	Input/output	SD1_DAT3	–	–
GPL2	Input/output	SD1_DAT2	–	–
GPL1	Input/output	SD1_DAT1	–	–
GPL0	Input/output	SD1_DAT0	–	–

Port M	Selectable Pin Functions			
GPM1	Input	FRnB	–	–
GPM0	Input	RSMBWAIT	–	–

2 PORT CONTROL DESCRIPTIONS

2.1 PORT CONFIGURATION REGISTER (GPACon-GPMCON)

In S3C2416X, most of the pins are multiplexed pins. So, It is determined which function is selected for each pins. The GPxCON(port control register) determines which function is used for each pin.

If GPF0 – GPF7, GPG0 – GPG7 is used for the wakeup signal in Sleep/Stop/DeepStop mode, these ports must be configured in EINT.

2.2 PORT DATA REGISTER (GPADAT-GPMDAT)

If ports are configured as output ports, data can be written to the corresponding bit of GPxDAT. If Ports are configured as input ports, the data can be read from the corresponding bit of GPxDAT.

2.3 PORT PULL-UP/DOWN REGISTER (GPBUDP-GPMUDP)

The port pull-up/down register controls the pull-up/down resistor enable/disable of each port group. When the corresponding bit is 0, the pull-down resistor of the pin is enabled. When 1, the pull-down resistor is disabled.

If the port pull-down resistor is enabled then the pull-down resistors work without pin's functional setting(input, output, DATAn, EINTn and etc)

2.4 MISCELLANEOUS CONTROL REGISTER

This register controls mode selection, and CLKOUT selection.

2.5 EXTERNAL INTERRUPT CONTROL REGISTER

The 16 external interrupts are requested by various signaling methods. The EXTINT register configures the signaling method among the low level trigger, high level trigger, falling edge trigger, rising edge trigger, and both edge trigger for the external interrupt request

Because each external interrupt pin has a digital filter, the interrupt controller can recognize the request signal that is longer than 3 clocks.

EINT[15:0] are used for wakeup sources from Sleep/Stop/DeepStop mode.

Caution

I/O ports In VDD_SD power domain release retention automatically when I/O ports are waken up from sleep mode. In Stop/DeepStop/Sleep mode GPA/GPK status are controlled by PDSMCON/PDDMCON. They control GPA/GPK as a few groups. For example like GPA1 and GPA2 individual control is impossible in sleep mode.

3 I/O PORT CONTROL REGISTER

3.1 PORT A CONTROL REGISTERS (GPACON, GPADAT)

Register	Address	R/W	Description	Reset Value
GPACON	0x56000000	R/W	Configures the pins of port A	0x0ffffff
GPADAT	0x56000004	R/W	The data register for port A	0x0
Reserved	0x56000008	–	–	–
Reserved	0x5600000c	–	–	–

GPACON	Bit	Description	
Reserved	[31:28]	Reserved	
Reserved	[27]	Reserved	
GPA26	[26]	0 = Output	1 = DQM3
GPA25	[25]	0 = Output	1 = DQM2
GPA24	[24]	0 = Output	1 = RSMAVD
GPA23	[23]	0 = Output	1 = RSMCLK
GPA22	[22]	0 = Output	1 = nFCE
GPA21	[21]	0 = Output	1 = nRSTOUT
GPA20	[20]	0 = Output	1 = nFRE
GPA19	[19]	0 = Output	1 = nFWE
GPA18	[18]	0 = Output	1 = ALE
GPA17	[17]	0 = Output	1 = CLE
GPA16	[16]	0 = Output	1 = nRCS[5]
GPA15	[15]	0 = Output	1 = nRCS[4]
GPA14	[14]	0 = Output	1 = nRCS[3]
GPA13	[13]	0 = Output	1 = nRCS[2]
GPA12	[12]	0 = Output	1 = nRCS[1]
Reserved	[11]	Reserved	
GPA10	[10]	0 = Reserved	1 = RADDR25
GPA9	[9]	0 = Output	1 = RADDR24
GPA8	[8]	0 = Output	1 = RADDR23
GPA7	[7]	0 = Output	1 = RADDR22
GPA6	[6]	0 = Output	1 = RADDR21
GPA5	[5]	0 = Output	1 = RADDR20
GPA4	[4]	0 = Output	1 = RADDR19
GPA3	[3]	0 = Output	1 = RADDR18
GPA2	[2]	0 = Output	1 = RADDR17
GPA1	[1]	0 = Output	1 = RADDR16
GPA0	[0]	0 = Output	1 = RADDR0

GPADAT	Bit	Description
Reserved	[31:27]	Reserved
GPA[27:0]	[26:0]	When the port is configured as output port, the pin state is the same as the corresponding bit. When the port is configured as functional pin, the undefined value will be read.

NOTE: GPA10 is excluded in data output mode.

3.2 PORT B CONTROL REGISTERS (GPBCON, GPBDAT, GPBUDP, GPBSEL)

Register	Address	R/W	Description	Reset Value
GPBCON	0x56000010	R/W	Configures the pins of port B	0x0
GPBDAT	0x56000014	R/W	The data register for port B	0x0
GPBUDP	0x56000018	R/W	Pull-up/down control register for port B	0x00154555
GPBSEL	0x5600001c	R/W	Selects the function of port B	0x1

GPBCON	Bit	Description	
Reserved	[31:22]	Reserved	
GPB10	[21:20]	00 = Input 10 = nXDREQ[0]	01 = Output 11 = XDREQ[0]
GPB9	[19:18]	00 = Input 10 = nXDACK[0]	01 = Output 11 = XDACK[0]
Reserved	[17:16]	Reserved	
Reserved	[15:14]	Reserved	
GPB6	[13:12]	00 = Input 10 = nXBREQ	01 = Output 11 = XBREQ
GPB5	[11:10]	00 = Input 10 = nXBACK	01 = Output 11 = XBACK
GPB4	[9:8]	00 = Input 10 = TCLK	01 = Output 11 = reserved
GPB3	[7:6]	00 = Input 10 = TOUT3	01 = Output 11 = reserved
GPB2	[5:4]	00 = Input 10 = TOUT2	01 = Output 11 = reserved
GPB1	[3:2]	00 = Input 10 = TOUT1	01 = Output 11 = reserved
GPB0	[1:0]	00 = Input 10 = TOUT0	01 = Output 11 = reserved
GPBDAT	Bit	Description	
Reserved	[31:11]	Reserved	
GPBDAT[10:0]	[10:0]	When the port is configured as input port, the corresponding bit is the pin state. When the port is configured as output port, the pin state is the same as the corresponding bit. When the port is configured as functional pin, the undefined value will be read.	

GPBUDP	Bit	Description
Reserved	[31:22]	Reserved
GPBUDP10 ~ GPBUDP0	[21:20] ~ [1:0]	[CPU:CPD] 00 = pull-up/down disable 01 = pull-down enable 10 = pull-up enable 11 = not-available
GPBSEL	Bit	Description
Reserved	[31:5]	Reserved
GPB10SEL	[4]	0 = GPB10 1 = I2SSDO_2
GPB9SEL	[3]	0 = GPB9 1 = I2SSDO_1
Reserved	[2]	Reserved
Reserved	[1]	Reserved
GPB6SEL	[0]	0 = GPB6 1 = RTCK

3.3 PORT C CONTROL REGISTERS (GPCCON, GPCDAT, GPCUDP)

Register	Address	R/W	Description	Reset Value
GPCCON	0x56000020	R/W	Configures the pins of port C	0x0
GPCDAT	0x56000024	R/W	The data register for port C	0x0
GPCUDP	0x56000028	R/W	Pull-up/down control for port C	0x55555555
Reserved	0x5600002c	–	–	–

GPCCON	Bit	Description	
GPC15	[31:30]	00 = Input 10 = RGB/SYS_VD[7]	01 = Output 11 = Reserved
GPC14	[29:28]	00 = Input 10 = RGB/SYS_VD[6]	01 = Output 11 = Reserved
GPC13	[27:26]	00 = Input 10 = RGB/SYS_VD[5]	01 = Output 11 = Reserved
GPC12	[25:24]	00 = Input 10 = RGB/SYS_VD[4]	01 = Output 11 = Reserved
GPC11	[23:22]	00 = Input 10 = RGB/SYS_VD[3]	01 = Output 11 = Reserved
GPC10	[21:20]	00 = Input 10 = RGB/SYS_VD[2]	01 = Output 11 = Reserved
GPC9	[19:18]	00 = Input 10 = RGB/SYS_VD[1]	01 = Output 11 = Reserved
GPC8	[17:16]	00 = Input 10 = RGB/SYS_VD[0]	01 = Output 11 = Reserved
GPC7	[15:14]	00 = Input 10 = Reserved	01 = Output 11 = Reserved
GPC6	[13:12]	00 = Input 10 = Reserved	01 = Output 11 = Reserved
GPC5	[11:10]	00 = Input 10 = Reserved	01 = Output 11 = Reserved
GPC4	[9:8]	00 = Input 10 = RGB_VDEN/SYS_RS	01 = Output 11 = Reserved
GPC3	[7:6]	00 = Input 10 = RGB_VSYNC/SYS_CS1	01 = Output 11 = Reserved
GPC2	[5:4]	00 = Input 10 = RGB_HSYNC/SYS_CS0	01 = Output 11 = Reserved
GPC1	[3:2]	00 = Input 10 = RGB_VCLK/SYS_WR	01 = Output 11 = Reserved
GPC0	[1:0]	00 = Input 10 = RGB_LEND/SYS_OE	01 = Output 11 = Reserved

GPCDAT	Bit	Description
Reserved	[31:16]	Reserved
GPC[15:0]	[15:0]	When the port is configured as input port, the corresponding bit is the pin state. When the port is configured as output port, the pin state is the same as the corresponding bit. When the port is configured as functional pin, the undefined value will be read.
GPCUDP	Bit	Description
GPCUDP15 ~ PCUDP0	[31:30] ~ [1:0]	[CPU:CPD] 00 = pull-up/down disable 01 = pull-down enable 10 = pull-up enable 11 = not-available

3.4 PORT D CONTROL REGISTERS (GPDCON, GPDDAT, GPDUDP)

Register	Address	R/W	Description	Reset Value
GPDCON	0x56000030	R/W	Configures the pins of port D	0x0
GPDDAT	0x56000034	R/W	The data register for port D	0x0
GPDUDP	0x56000038	R/W	Pull-up/down control register for port D	0x55555555
Reserved	0x5600003c	–	–	–

GPDCON	Bit	Description	
GPD15	[31:30]	00 = Input 10 = RGB_VD[23]	01 = Output 11 = Reserved
GPD14	[29:28]	00 = Input 10 = RGB_VD[22]	01 = Output 11 = Reserved
GPD13	[27:26]	00 = Input 10 = RGB_VD[21]	01 = Output 11 = Reserved
GPD12	[25:24]	00 = Input 10 = RGB_VD[20]	01 = Output 11 = Reserved
GPD11	[23:22]	00 = Input 10 = RGB_VD[19]	01 = Output 11 = Reserved
GPD10	[21:20]	00 = Input 10 = RGB_VD[18]	01 = Output 11 = Reserved
GPD9	[19:18]	00 = Input 10 = RGB/SYS_VD[17]	01 = Output 11 = Reserved
GPD8	[17:16]	00 = Input 10 = RGB/SYS_VD[16]	01 = Output 11 = Reserved
GPD7	[15:14]	00 = Input 10 = RGB/SYS_VD[15]	01 = Output 11 = Reserved
GPD6	[13:12]	00 = Input 10 = RGB/SYS_VD[14]	01 = Output 11 = Reserved
GPD5	[11:10]	00 = Input 10 = RGB/SYS_VD[13]	01 = Output 11 = Reserved
GPD4	[9:8]	00 = Input 10 = RGB/SYS_VD[12]	01 = Output 11 = Reserved
GPD3	[7:6]	00 = Input 10 = RGB/SYS_VD[11]	01 = Output 11 = Reserved
GPD2	[5:4]	00 = Input 10 = RGB/SYS_VD[10]	01 = Output 11 = Reserved
GPD1	[3:2]	00 = Input 10 = RGB/SYS_VD[9]	01 = Output 11 = Reserved
GPD0	[1:0]	00 = Input 10 = RGB/SYS_VD[8]	01 = Output 11 = Reserved

GPDDAT	Bit	Description
Reserved	[31:16]	Reserved
GPD[15:0]	[15:0]	When the port is configured as input port, the corresponding bit is the pin state. When the port is configured as output port, the pin state is the same as the corresponding bit. When the port is configured as functional pin, the undefined value will be read.
GPDUDP	Bit	Description
GPDUDP15 ~ GPDUDP0	[31:30] ~ [1:0]	[CPU:CPD] 00 = pull-up/down disable 01 = pull-down enable 10 = pull-up enable 11 = not-available

3.5 PORT E CONTROL REGISTERS (GPECON, GPEDAT, GPEUDP, GPESEL)

Register	Address	R/W	Description	Reset Value
GPECON	0x56000040	R/W	Configures the pins of port E	0x0
GPEDAT	0x56000044	R/W	The data register for port E	0x0
GPEUDP	0x56000048	R/W	Pull-up/down control register for port E	0x55555555
GPESEL	0x5600004c	R/W	Selects the function of port E	0x0

GPECON	Bit	Description	
GPE15	[31:30]	00 = Input 10 = IICSDA	01 = Output 11 = Reserved
GPE14	[29:28]	00 = Input 10 = IICSCS	01 = Output 11 = Reserved
GPE13	[27:26]	00 = Input 10 = SPICLK0	01 = Output 11 = Reserved
GPE12	[25:24]	00 = Input 10 = SPIMOSI0	01 = Output 11 = Reserved
GPE11	[23:22]	00 = Input 10 = SPIMISO0	01 = Output 11 = Reserved
GPE10	[21:20]	00 = Input 10 = SD0_DAT3	01 = Output 11 = Reserved
GPE9	[19:18]	00 = Input 10 = SD0_DAT2	01 = Output 11 = Reserved
GPE8	[17:16]	00 = Input 10 = SD0_DAT1	01 = Output 11 = Reserved
GPE7	[15:14]	00 = Input 10 = SD0_DAT0	01 = Output 11 = Reserved
GPE6	[13:12]	00 = Input 10 = SD0_CMD	01 = Output 11 = Reserved
GPE5	[11:10]	00 = Input 10 = SD0_CLK	01 = Output 11 = Reserved
GPE4	[9:8]	00 = Input 10 = I2SDO	01 = Output 11 = AC_SDO
GPE3	[7:6]	00 = Input 10 = I2SDI	01 = Output 11 = AC_SDI
GPE2	[5:4]	00 = Input 10 = CDCLK	01 = Output 11 = AC_BIT_CLK
GPE1	[3:2]	00 = Input 10 = I2SSCLK	01 = Output 11 = AC_SYNC
GPE0	[1:0]	00 = Input 10 = I2SLRCK	01 = Output 11 = AC_nRESET

GPE DAT	Bit	Description
Reserved	[31:16]	Reserved
GPE[15:0]	[15:0]	When the port is configured as an input port, the corresponding bit is the pin state. When the port is configured as an output port, the pin state is the same as the corresponding bit. When the port is configured as a functional pin, the undefined value will be read.
GPE UDP	Bit	Description
GPEUDP15 ~ GPEUDP0	[31:30] ~ [1:0]	[CPU:CPD] 00 = pull-up/down disable 01 = pull-down enable 10 = pull-up enable 11 = not-available
GPE SEL	Bit	Description
Reserved	[31:5]	Reserved
GPE4SEL	[4]	0 = GPE4 1 = PCM_SDO
GPE3SEL	[3]	0 = GPE3 1 = PCM_SDI
GPE2SEL	[2]	0 = GPE2 1 = PCM_CDCLK
GPE1SEL	[1]	0 = GPE1 1 = PCM_SCLK
GPE0SEL	[0]	0 = GPE0 1 = PCM_FSYNC

3.6 PORT F CONTROL REGISTERS (GPFCON, GPFDAT, GPFUDP)

If GPF0 – GPF7 will be used for wake-up signals from Sleep/Stop/Deep Stop mode, the ports will be set in EINT.

Register	Address	R/W	Description	Reset Value
GPFCON	0x56000050	R/W	Configures the pins of port F	0x0
GPFDAT	0x56000054	R/W	The data register for port F	0x0
GPFUDP	0x56000058	R/W	Pull-up/down control register for port F	0x5555
Reserved	0x5600005c	–	–	–

GPFCON	Bit	Description
Reserved	[31:16]	Reserved
GPF7	[15:14]	00 = Input 01 = Output 10 = EINT[7] 11 = Reserved
GPF6	[13:12]	00 = Input 01 = Output 10 = EINT[6] 11 = Reserved
GPF5	[11:10]	00 = Input 01 = Output 10 = EINT[5] 11 = Reserved
GPF4	[9:8]	00 = Input 01 = Output 10 = EINT[4] 11 = Reserved
GPF3	[7:6]	00 = Input 01 = Output 10 = EINT[3] 11 = Reserved
GPF2	[5:4]	00 = Input 01 = Output 10 = EINT[2] 11 = Reserved
GPF1	[3:2]	00 = Input 01 = Output 10 = EINT[1] 11 = Reserved
GPF0	[1:0]	00 = Input 01 = Output 10 = EINT[0] 11 = Reserved
GPFDAT	Bit	Description
Reserved	[31:8]	Reserved
GPF[7:0]	[7:0]	When the port is configured as an input port, the corresponding bit is the pin state. When the port is configured as an output port, the pin state is the same as the corresponding bit. When the port is configured as functional pin, the undefined value will be read.
GPFUDP	Bit	Description
Reserved	[31:16]	Reserved
GPFUDP7	[15:14]	[CPU:CPD]
~	~	00 = pull-up/down disable
GPFUDP0	[1:0]	01 = pull-down enable 10 = pull-up enable 11 = not-available

3.7 PORT G CONTROL REGISTERS (GPGCON, GPGDAT, GPGUDP)

If GPG0–GPG7 will be used for wake-up signals from Sleep/Stop/Deep Stop mode, the ports will be set in EINT.

Register	Address	R/W	Description	Reset Value
GPGCON	0x56000060	R/W	Configures the pins of port G	0x0
GPGDAT	0x56000064	R/W	The data register for port G	0x0
GPGUDP	0x56000068	R/W	Pull-up/down control register for port G	0x55555555

GPGCON	Bit	Description	
Reserved	[31:30]	Reserved	
Reserved	[29:28]	Reserved	
Reserved	[27:26]	Reserved	
Reserved	[25:24]	Reserved	
Reserved	[23:22]	Reserved	
Reserved	[21:20]	Reserved	
Reserved	[19:18]	Reserved	
Reserved	[17:16]	Reserved	
GPG7	[15:14]	00 = Input 10 = EINT[15]	01 = Output 11 = Reserved
GPG6	[13:12]	00 = Input 10 = EINT[14]	01 = Output 11 = Reserved
GPG5	[11:10]	00 = Input 10 = EINT[13]	01 = Output 11 = Reserved
GPG4	[9:8]	00 = Input 10 = EINT[12]	01 = Output 11 = Reserved
GPG3	[7:6]	00 = Input 10 = EINT[11]	01 = Output 11 = Reserved
GPG2	[5:4]	00 = Input 10 = EINT[10]	01 = Output 11 = Reserved
GPG1	[3:2]	00 = Input 10 = EINT[9]	01 = Output 11 = Reserved
GPG0	[1:0]	00 = Input 10 = EINT[8]	01 = Output 11 = Reserved

GPGDAT	Bit	Description
Reserved	[31:8]	Reserved
GPG[7:0]	[7:0]	When the port is configured as an input port, the corresponding bit is the pin state. When the port is configured as an output port, the pin state is the same as the corresponding bit. When the port is configured as functional pin, the undefined value will be read.
GPGUDP	Bit	Description
GPGUDP7 ~ GPGUDP0	[15:14] ~ [1:0]	[CPU:CPD] 00 = pull-up/down disable 01 = pull-down enable 10 = pull-up enable 11 = not-available

3.8 PORT H CONTROL REGISTERS (GPHCON, GPHDAT, GPHUDP)

Register	Address	R/W	Description	Reset Value
GPHCON	0x56000070	R/W	Configures the pins of port H	0x0
GPHDAT	0x56000074	R/W	The data register for port H	0x0
GPHUDP	0x56000078	R/W	pull-up/down control register for port H	0x15555555
Reserved	0x5600007c	–	–	–

GPHCON	Bit	Description	
Reserved	[31:30]	Reserved	
GPH14	[29:28]	00 = Input 10 = CLKOUT1	01 = Output 11 = Reserved
GPH13	[27:26]	00 = Input 10 = CLKOUT0	01 = Output 11 = Reserved
GPH12	[25:24]	00 = Input 10 = EXTUARTCLK	01 = Output 11 = Reserved
GPH11	[23:22]	00 = Input 10 = nRTS1	01 = Output 11 = Reserved
GPH10	[21:20]	00 = Input 10 = nCTS1	01 = Output 11 = Reserved
GPH9	[19:18]	00 = Input 10 = nRTS0	01 = Output 11 = Reserved
GPH8	[17:16]	00 = Input 10 = nCTS0	01 = Output 11 = Reserved
GPH7	[15:14]	00 = Input 10 = RXD[3]	01 = Output 11 = nCTS2
GPH6	[13:12]	00 = Input 10 = TXD[3]	01 = Output 11 = nRTS2
GPH5	[11:10]	00 = Input 10 = RXD[2]	01 = Output 11 = Reserved
GPH4	[9:8]	00 = Input 10 = TXD[2]	01 = Output 11 = Reserved
GPH3	[7:6]	00 = Input 10 = RXD[1]	01 = Output 11 = reserved
GPH2	[5:4]	00 = Input 10 = TXD[1]	01 = Output 11 = Reserved
GPH1	[3:2]	00 = Input 10 = RXD[0]	01 = Output 11 = Reserved
GPH0	[1:0]	00 = Input 10 = TXD[0]	01 = Output 11 = Reserved

GPHDAT	Bit	Description
Reserved	[31:15]	Reserved
GPH[14:0]	[14:0]	When the port is configured as an input port, the corresponding bit is the pin state. When the port is configured as an output port, the pin state is the same as the corresponding bit. When the port is configured as functional pin, the undefined value will be read.
GPHUDP	Bit	Description
Reserved	[31:30]	Reserved
GPHUDP14 ~ GPHUDP0	[29:28] ~ [1:0]	[CPU:CPD] 00 = pull-up/down disable 01 = pull-down enable 10 = pull-up enable 11 = not-available

3.9 PORT K CONTROL REGISTERS (GPKCON, GPKDAT, GPKUDP)

Register	Address	R/W	Description	Reset Value
GPKCON	0x560000e0	R/W	Configures the pins of port K	0xaaaaaaaa
GPKDAT	0x560000e4	R/W	The data register for port K	0x0
GPKUDP	0x560000e8	R/W	pull-up/down control register for port K	0x55555555

GPKCON	Bit	Description	
GPK15	[31:30]	00 = Input 10 = Sdata[31]	01 = Output 11 = Reserved
GPK14	[29:28]	00 = Input 10 = Sdata[30]	01 = Output 11 = Reserved
GPK13	[27:26]	00 = Input 10 = Sdata[29]	01 = Output 11 = Reserved
GPK12	[25:24]	00 = Input 10 = Sdata[28]	01 = Output 11 = Reserved
GPK11	[23:22]	00 = Input 10 = Sdata[27]	01 = Output 11 = Reserved
GPK10	[21:20]	00 = Input 10 = Sdata[26]	01 = Output 11 = Reserved
GPK9	[19:18]	00 = Input 10 = Sdata[25]	01 = Output 11 = Reserved
GPK8	[17:16]	00 = Input 10 = Sdata[24]	01 = Output 11 = Reserved
GPK7	[15:14]	00 = Input 10 = Sdata[23]	01 = Output 11 = Reserved
GPK6	[13:12]	00 = Input 10 = Sdata[22]	01 = Output 11 = Reserved
GPK5	[11:10]	00 = Input 10 = Sdata[21]	01 = Output 11 = Reserved
GPK4	[9:8]	00 = Input 10 = Sdata[20]	01 = Output 11 = Reserved
GPK3	[7:6]	00 = Input 10 = Sdata[19]	01 = Output 11 = Reserved
GPK2	[5:4]	00 = Input 10 = Sdata[18]	01 = Output 11 = Reserved
GPK1	[3:2]	00 = Input 10 = Sdata[17]	01 = Output 11 = Reserved
GPK0	[1:0]	00 = Input 10 = Sdata[16]	01 = Output 11 = Reserved

GPKDAT	Bit	Description
GPK[15:0]	[31:0]	When the port is configured as an input port, the corresponding bit is the pin state. When the port is configured as an output port, the pin state is the same as the corresponding bit. When the port is configured as functional pin, the undefined value will be read.
GPKUDP	Bit	Description
GPKUDP15 ~ GPKUDP0	[31:30] ~ [1:0]	[CPU:CPD] 00 = pull-up/down disable 01 = pull-down enable 10 = pull-up enable 11 = not-available

3.10 PORT L CONTROL REGISTERS (GPLCON, GPLDAT, GPLUDP, GPLSEL)

Register	Address	R/W	Description	Reset Value
GPLCON	0x560000f0	R/W	Configures the pins of port L	0x0
GPLDAT	0x560000f4	R/W	The data register for port L	0x0
GPLUDP	0x560000f8	R/W	pull-up/down control register for port L	0x15555555

GPLCON	Bit	Description
Reserved	[31:30]	Reserved
Reserved	[29:28]	Reserved
GPL13	[27:26]	00 = Input 01 = Output 10 = SS 11 = Reserved
Reserved	[25:24]	Reserved
Reserved	[23:22]	Reserved
Reserved	[21:20]	Reserved
GPL9	[19:18]	00 = Input 01 = Output 10 = SD1_CLK 11 = Reserved
GPL8	[17:16]	00 = Input 01 = Output 10 = SD1_CMD 11 = Reserved
Reserved	[15:14]	Reserved
Reserved	[13:12]	Reserved
Reserved	[11:10]	Reserved
Reserved	[9:8]	Reserved
GPL3	[7:6]	00 = Input 01 = Output 10 = SD1_DAT3 11 = Reserved
GPL2	[5:4]	00 = Input 01 = Output 10 = SD1_DAT2 11 = Reserved
GPL1	[3:2]	00 = Input 01 = Output 10 = SD1_DAT1 11 = Reserved
GPL0	[1:0]	00 = Input 01 = Output 10 = SD1_DAT0 11 = Reserved

GPLDAT	Bit	Description
Reserved	[31:14]	Reserved
GPL[13:0]	[13:0]	When the port is configured as an input port, the corresponding bit is the pin state. When the port is configured as an output port, the pin state is the same as the corresponding bit. When the port is configured as functional pin, the undefined value will be read.

GPLUDP	Bit	Description
Reserved	[31:28]	Reserved
GPLUDP13 ~ GPLUDP0	[27:26] ~ [1:0]	[CPU:CPD] 00 = pull-up/down disable 01 = pull-down enable 10 = pull-up enable 11 = not-available

3.11 PORT M CONTROL REGISTERS (GPMCON, GPMDAT, GPMUDP)

Register	Address	R/W	Description	Reset Value
GPMCON	0x56000100	R/W	Configures the pins of port M	0xA
GPMDAT	0x56000104	R	The data register for port M	0x0
GPMUDP	0x560000108	R/W	pull-up/down control register for port M	0x0
Reserved	0x56000010c	–	–	–

GPMCON	Bit	Description
Reserved	[31:4]	Reserved
GPM1	[3:2]	Others = GPM Input 10 = FRnB
GPM0	[1:0]	Others = GPM Input 10 = RSMBWAIT
GPMDAT	Bit	Description
Reserved	[31:2]	Reserved
GPM[1:0]	[1:0]	When the port is configured as an input port, the corresponding bit is the pin state When the port is configured as functional pin, the undefined value will be read.
GPMUDP	Bit	Description
Reserved	[31:6]	Reserved
nWAIT	[5:4]	[CPU:CPD] 00 = pull-up/down disable 01 = pull-down enable 10 = pull-up enable 11 = not-available
GPMUDP1	[3:2]	[CPU:CPD] 00 = pull-up/down disable 01 = pull-down enable 10 = pull-up enable 11 = not-available
GPMUDP0	[1:0]	[CPU:CPD] 00 = pull-up/down disable 01 = pull-down enable 10 = pull-up enable 11 = not-available

3.12 MISCELLANEOUS CONTROL REGISTER (MISCCR)

In Sleep mode, the data bus(SD[15:0] or RD[15:0]) can be set as Hi-Z and Output '0' state. But, because of the characteristics of IO pad, the data bus pull-up/down resistors have to be turned on or off to reduce the power consumption. SD[15:0] or RD[15:0] pin pull-up/down resistors can be controlled by MISCCR register.

Pads related USB are controlled by this register for USB host, or for USB device.

Register	Address	R/W	Description	Reset Value
MISCCR	0x56000080	R/W	Miscellaneous control register	0xd0000020

MISCCR	Bit	Description	Reset Value
HSSPI_EN2	[31]	Must be set '1'	1
Reserved	[30]	Reserved	1
Reserved	[29]	Reserved	0
Reserved	[28]	Should be '1'	1
Reserved	[27:25]	Reserved	000
FLT_I2C	[24]	Clocked Noise Filter Enable for IIC	0
Reserved	[23:13]	Reserved	0
SEL_SUSPND	[12]	USB Port Suspend mode 0 = Normal mode 1 = Suspend mode	0
Reserved	[11]	Reserved	0
CLKSEL1 *	[10:8]	Select source clock with CLKOUT1 pad 000 = RESERVED 001 = Gated EPLL output 010 = RTC clock output 011 = HCLK 100 = PCLK 101 = DCLK1(Divided PCLK) 11x = Reserved	000
Reserved	[7]	Reserved	0
CLKSEL0 *	[6:4]	Select source clock with CLKOUT0 pad 000 = MPLL INPUT Clock(XTAL) 001 = EPLL output 010 = FCLK(ARMCLK) 011 = HCLK 100 = PCLK 101 = DCLK0 (Divided PCLK) 110 = OSC To PLL INPUT Clock 111 = Reserved	010
Reserved	[3:0]	Reserved	0

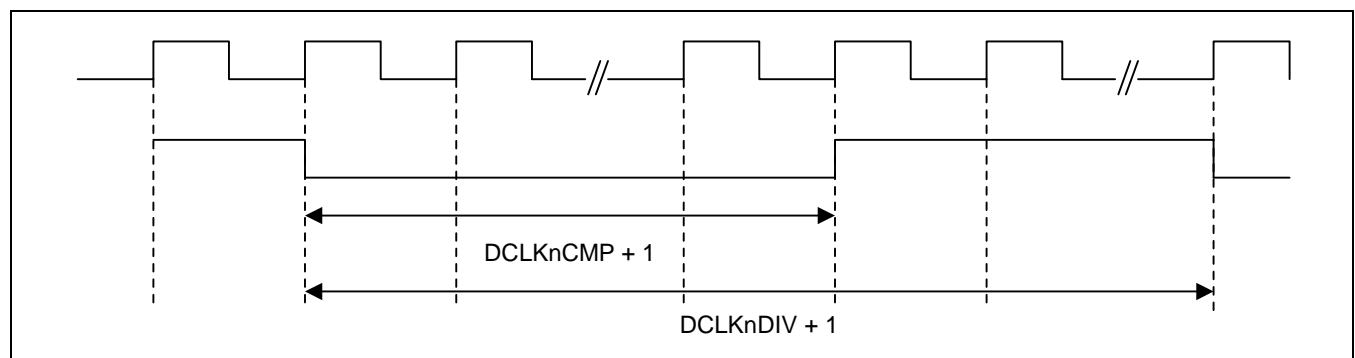
NOTES:

1. User must set first MISCCR[31] = 1'b1 when use the high speed SPI.
2. We recommend not using this output pad to other device's pll clock source.

3.13 DCLK CONTROL REGISTERS (DCLKCON)

Register	Address	R/W	Description	Reset Value
DCLKCON	0x56000084	R/W	DCLK0/1 control register	0x0

DCLKCON	Bit	Description
Reserved	[31:28]	Reserved
DCLK1CMP	[27:24]	DCLK1 compare value clock toggle value. ($< \text{DCLK1DIV}$) If the DCLK1CMP is n , Low level duration is $(n + 1)$, High level duration is $((\text{DCLK1DIV} + 1) - (n + 1))$
DCLK1DIV	[23:20]	DCLK1 divide value $\text{DCLK1 frequency} = \text{source clock} / (\text{DCLK1DIV} + 1)$
DCLK1SelCK	[17]	Select DCLK1 source clock 0 = PCLK 1 = EPLL
DCLK1EN	[16]	DCLK1 enable 0 = DCLK1 disable 1 = DCLK1 enable
DCLK0CMP	[11:8]	DCLK0 compare value clock toggle value. ($< \text{DCLK0DIV}$) If the DCLK0CMP is n , Low level duration is $(n + 1)$, High level duration is $((\text{DCLK0DIV} + 1) - (n + 1))$
DCLK0DIV	[7:4]	DCLK0 divide value. $\text{DCLK0 frequency} = \text{source clock} / (\text{DCLK0DIV} + 1)$
DCLK0SelCK	[1]	Select DCLK0 source clock 0 = PCLK 1 = EPLL
DCLK0EN	[0]	DCLK0 enable 0 = DCLK0 disable 1 = DCLK0 enable



3.14 EXTINTn (External Interrupt Control Register n)

The 8 external interrupts can be requested by various Signalling methods. The EXTINT register configures the Signalling method between the level trigger and edge trigger for the external interrupt request, and also configures the signal polarity.

To recognize the level interrupt, the valid logic level on EXTINTn pin must be retained for 40ns at least because of the noise filter.

Register	Address	R/W	Description	Reset Value
EXTINT0	0x56000088	R/W	External interrupt control register 0	0x0
EXTINT1	0x5600008c	R/W	External interrupt control register 1	0x0

EXTINT0	Bit	Description
Reserved	[31]	Reserved
EINT7	[30:28]	Setting the signalling method of the EINT7. 000 = Low level 001 = High level 01x = Falling edge triggered 10x = Rising edge triggered 11x = Both edge triggered
Reserved	[27]	Reserved
EINT6	[26:24]	Setting the signalling method of the EINT6. 000 = Low level 001 = High level 01x = Falling edge triggered 10x = Rising edge triggered 11x = Both edge triggered
Reserved	[23]	Reserved
EINT5	[22:20]	Setting the signalling method of the EINT5. 000 = Low level 001 = High level 01x = Falling edge triggered 10x = Rising edge triggered 11x = Both edge triggered
Reserved	[19]	Reserved
EINT4	[18:16]	Setting the signalling method of the EINT4. 000 = Low level 001 = High level 01x = Falling edge triggered 10x = Rising edge triggered 11x = Both edge triggered
Reserved	[15]	Reserved

EXTINT0	Bit	Description
EINT3	[14:12]	Setting the signalling method of the EINT3. 000 = Low level 001 = High level 01x = Falling edge triggered 10x = Rising edge triggered 11x = Both edge triggered
Reserved	[11]	Reserved
EINT2	[10:8]	Setting the signalling method of the EINT2. 000 = Low level 001 = High level 01x = Falling edge triggered 10x = Rising edge triggered 11x = Both edge triggered
Reserved	[7]	Reserved
EINT1	[6:4]	Setting the signalling method of the EINT1. 000 = Low level 001 = High level 01x = Falling edge triggered 10x = Rising edge triggered 11x = Both edge triggered
Reserved	[3]	Reserved
EINT0	[2:0]	Setting the signalling method of the EINT0. 000 = Low level 001 = High level 01x = Falling edge triggered 10x = Rising edge triggered 11x = Both edge triggered

EXTINT1	Bit	Description
Reserved	[31]	Reserved
EINT15	[30:28]	Setting the signaling method of the EINT15. 000 = Low level 001 = High level 01x = Falling edge triggered 10x = Rising edge triggered 11x = Both edge triggered
Reserved	[27]	Filter enable for EINT14 0 = Filter Enable 1 = Filter Disable
EINT14	[26:24]	Setting the signaling method of the EINT14. 000 = Low level 001 = High level 01x = Falling edge triggered 10x = Rising edge triggered 11x = Both edge triggered
Reserved	[23]	Reserved
EINT13	[22:20]	Setting the signaling method of the EINT13. 000 = Low level 001 = High level 01x = Falling edge triggered 10x = Rising edge triggered 11x = Both edge triggered

Reserved	[19]	Reserved
EINT12	[18:16]	Setting the signaling method of the EINT12. 000 = Low level 001 = High level 01x = Falling edge triggered 10x = Rising edge triggered 11x = Both edge triggered
Reserved	[15]	Reserved
EINT11	[14:12]	Setting the signaling method of the EINT11. 000 = Low level 001 = High level 01x = Falling edge triggered 10x = Rising edge triggered 11x = Both edge triggered
Reserved	[11]	Reserved
EINT10	[10:8]	Setting the signaling method of the EINT10. 000 = Low level 001 = High level 01x = Falling edge triggered 10x = Rising edge triggered 11x = Both edge triggered
Reserved	[7]	Reserved
EINT9	[6:4]	Setting the signaling method of the EINT9. 000 = Low level 001 = High level 01x = Falling edge triggered 10x = Rising edge triggered 11x = Both edge triggered
Reserved	[3]	Reserved
EINT8	[2:0]	Setting the signaling method of the EINT8. 000 = Low level 001 = High level 01x = Falling edge triggered 10x = Rising edge triggered 11x = Both edge triggered

3.15 EINTMASK (External Interrupt Mask Register)

Register	Address	R/W	Description	Reset Value
EINTMASK	0x560000a4	R/W	External interrupt mask register	0x00ffff0

EINTMASK	Bit	Description
Reserved	[31:24]	Reserved
Reserved	[23]	Reserved
Reserved	[22]	Reserved
Reserved	[21]	Reserved
Reserved	[20]	Reserved
Reserved	[19]	Reserved
Reserved	[18]	Reserved
Reserved	[17]	Reserved
Reserved	[16]	Reserved
EINT15	[15]	0 = enable interrupt 1 = masked
EINT14	[14]	0 = enable interrupt 1 = masked
EINT13	[13]	0 = enable interrupt 1 = masked
EINT12	[12]	0 = enable interrupt 1 = masked
EINT11	[11]	0 = enable interrupt 1 = masked
EINT10	[10]	0 = enable interrupt 1 = masked
EINT9	[9]	0 = enable interrupt 1 = masked
EINT8	[8]	0 = enable interrupt 1 = masked
EINT7	[7]	0 = enable interrupt 1 = masked
EINT6	[6]	0 = enable interrupt 1 = masked
EINT5	[5]	0 = enable interrupt 1 = masked
EINT4	[4]	0 = enable interrupt 1 = masked
Reserved	[3:0]	Reserved

3.16 EINTPEND (External Interrupt Pending Register)

Register	Address	R/W	Description	Reset Value
EINTPEND	0x560000a8	R/W	External interrupt pending register	0x0

EINTPEND	Bit	Description	Reset Value
Reserved	[31:24]	Reserved	0x0
Reserved	[23]	Reserved	0
Reserved	[22]	Reserved	0
Reserved	[21]	Reserved	0
Reserved	[20]	Reserved	0
Reserved	[19]	Reserved	0
Reserved	[18]	Reserved	0
Reserved	[17]	Reserved	0
Reserved	[16]	Reserved	0
EINT15	[15]	It is cleared by writing "1" 0 = Not occur 1 = Occur interrupt	0
EINT14	[14]	It is cleared by writing "1" 0 = Not occur 1 = Occur interrupt	0
EINT13	[13]	It is cleared by writing "1" 0 = Not occur 1 = Occur interrupt	0
EINT12	[12]	It is cleared by writing "1" 0 = Not occur 1 = Occur interrupt	0
EINT11	[11]	It is cleared by writing "1" 0 = Not occur 1 = Occur interrupt	0
EINT10	[10]	It is cleared by writing "1" 0 = Not occur 1 = Occur interrupt	0
EINT9	[9]	It is cleared by writing "1" 0 = Not occur 1 = Occur interrupt	0
EINT8	[8]	It is cleared by writing "1" 0 = Not occur 1 = Occur interrupt	0
EINT7	[7]	It is cleared by writing "1" 0 = Not occur 1 = Occur interrupt	0
EINT6	[6]	It is cleared by writing "1" 0 = Not occur 1 = Occur interrupt	0
EINT5	[5]	It is cleared by writing "1" 0 = Not occur 1 = Occur interrupt	0
EINT4	[4]	It is cleared by writing "1" 0 = Not occur 1 = Occur interrupt	0
Reserved	[3:0]	Reserved	0x0

3.17 GSTATUSn (General Status Registers)

Register	Address	R/W	Description	Reset Value
GSTATUS0	0x560000ac	R	External pin status	Not define
GSTATUS1	0x560000b0	R	Software Platform ID register	0x32450003

GSTATUS0	Bit	Description
Reserved	[31:4]	Reserved
nWAIT	[3]	Status of nWAIT pin
NCON	[2]	Status of NCON pin
RnB	[1]	Status of RnB pin
BATT_FLT	[0]	Status of BATT_FLT pin
GSTATUS1	Bit	Description
Software Platform ID	[31:0]	Software Platform ID register = 0x32450003

3.18 DSCn (Drive Strength Control)

Control the Memory I/O drive strength

Register	Address	R/W	Description	Reset Value
DSC0	0x560000c0	R/W	Strength control register 0	0x2aaa_aaaa
DSC1	0x560000c4	R/W	Strength control register 1	0xaaa_aaaa
DSC2	0x560000c8	R/W	Strength control register 2	0xaa8_aaaa
DSC3	0x56000110	R/W	Strength control register 3	0x2aa

DSC0	Bit	Description	Reset Value
Reserved	[31:30]	Reserved	0x0
Reserved	[29:28]	Reserved	10
DSC_nRBE	[27:26]	nRBE, nROE, nRWE Drive strength	10
DSC_nROE	[25:24]	00 = 5.2mA 01 = 10.5mA 10 = 15.7mA 11 = 21.0mA	10
DSC_nRWE	[23:22]		10
DSC_nRCS5	[21:20]	nRCS5 ~ nRCS0 Address Bus Drive strength.	10
DSC_nRCS4	[19:18]	00 = 5.2mA 01 = 10.5mA 10 = 15.7mA 11 = 21.0mA	10
DSC_nRCS3	[17:16]		10
DSC_nRCS2	[15:14]		10
DSC_nRCS1	[13:12]		10
DSC_nRCS0	[11:10]		10
DSC_RADDRH	[9:8]	ROM Address Bus[25:16] Drive strength. 00 = 5.2mA 01 = 10.5mA 10 = 15.7mA 11 = 21.0mA	10
DSC_RADDRL	[7:6]	ROM Address Bus[15:1] Drive strength. 00 = 5.2mA 01 = 10.5mA 10 = 15.7mA 11 = 21.0mA	10
DSC_RADDR0	[5:4]	ROM Address Bus[0] Drive strength. 00 = 5.2mA 01 = 10.5mA 10 = 15.7mA 11 = 21.0mA	10
DSC_RDATA1	[3:2]	ROM DATA[15:8] I/O Drive strength. 00 = 5.2mA 01 = 10.5mA 10 = 15.7mA 11 = 21.0mA	10
DSC_RDATA0	[1:0]	ROM DATA[7:0] I/O Drive strength. 00 = 5.2mA 01 = 10.5mA 10 = 15.7mA 11 = 21.0mA	10

DSC1	Bit	Description	Reset Value
Reserved	[31:28]	Reserved	0x0
DSC_nSCLK	[27:26]	nSCLK drive strength. 00 = 4.9mA 01 = 9.8mA 10 = 14.8mA 11 = 19.7mA	10
DSC_SCLK	[25:24]	SCLK drive strength. 00 = 4.9mA 01 = 9.8mA 10 = 14.8mA 11 = 19.7mA	10
DSC_SCKE	[23:22]	SCKE Drive strength. 00 = 4.9mA 01 = 9.8mA 10 = 14.8mA 11 = 19.7mA	10
Reserved	[21:20]	Reserved	10
DSC_nSWE	[19:18]	nSWE drive strength. 00 = 4.9mA 01 = 9.8mA 10 = 14.8mA 11 = 19.7mA	10
DSC_nSCAS	[17:16]	nSCAS drive strength. 00 = 4.9mA 01 = 9.8mA 10 = 14.8mA 11 = 19.7mA	10
DSC_nSRAS	[15:14]	nSRAS drive strength. 00 = 4.9mA 01 = 9.8mA 10 = 14.8mA 11 = 19.7mA	10
DSC_nSCS1	[13:12]	nSCS1 drive strength. 00 = 4.9mA 01 = 9.8mA 10 = 14.8mA 11 = 19.7mA	10
DSC_nSCS0	[11:10]	nSCS0 drive strength. 00 = 4.9mA 01 = 9.8mA 10 = 14.8mA 11 = 19.7mA	10
DSC_SADDR	[9:8]	SADDR drive strength. 00 = 4.9mA 01 = 9.8mA 10 = 14.8mA 11 = 19.7mA	10
DSC_SDATA3	[7:6]	SDATA[31:24] drive strength. 00 = 4.9mA 01 = 9.8mA 10 = 14.8mA 11 = 19.7mA	10
DSC_SDATA2	[5:4]	SDATA[23:16] drive strength. 00 = 4.9mA 01 = 9.8mA 10 = 14.8mA 11 = 19.7mA	10
DSC_SDATA1	[3:2]	SDATA[15:8] drive strength. 00 = 4.9mA 01 = 9.8mA 10 = 14.8mA 11 = 19.7mA	10
DSC_SDATA0	[1:0]	SDATA[7:0] drive strength. 00 = 4.9mA 01 = 9.8mA 10 = 14.8mA 11 = 19.7mA	10

DSC2	Bit	Description	Reset Value
Reserved	[31:28]	Reserved	0x0
DSC_nFCE	[27:26]	nFCE drive strength. 00 = 5.2mA 01 = 10.5mA 10 = 15.7mA 11 = 21.0mA	10
DSC_nFRE	[25:24]	nFRE drive strength. 00 = 5.2mA 01 = 10.5mA 10 = 15.7mA 11 = 21.0mA	10
DSC_nFWE	[23:22]	nFWE Drive strength. 00 = 5.2mA 01 = 10.5mA 10 = 15.7mA 11 = 21.0mA	10
DSC_ALE	[21:20]	ALE drive strength. 00 = 5.2mA 01 = 10.5mA 10 = 15.7mA 11 = 21.0mA	10
DSC_CLE	[19:18]	CLE drive strength. 00 = 5.2mA 01 = 10.5mA 10 = 15.7mA 11 = 21.0mA	10
Reserved	[17:16]	Reserved	00
DSC_RSMAVD	[15:14]	RSMAVD drive strength. 00 = 5.2mA 01 = 10.5mA 10 = 15.7mA 11 = 21.0mA	10
DSC_RSMCLK	[13:12]	RSMCLK drive strength. 00 = 5.2mA 01 = 10.5mA 10 = 15.7mA 11 = 21.0mA	10
DSC_DQM3	[11:10]	DQM3 drive strength. 00 = 4.9mA 01 = 9.8mA 10 = 14.8mA 11 = 19.7mA	10
DSC_DQM2	[9:8]	DQM2 drive strength. 00 = 4.9mA 01 = 9.8mA 10 = 14.8mA 11 = 19.7mA	10
DSC_DQM1	[7:6]	DQM1 drive strength. 00 = 4.9mA 01 = 9.8mA 10 = 14.8mA 11 = 19.7mA	10
DSC_DQM0	[5:4]	DQM0 drive strength. 00 = 4.9mA 01 = 9.8mA 10 = 14.8mA 11 = 19.7mA	10
DSC_DQS1	[3:2]	DQS1 drive strength. 00 = 4.9mA 01 = 9.8mA 10 = 14.8mA 11 = 19.7mA	10
DSC_DQS0	[1:0]	DQS0 drive strength. 00 = 4.9mA 01 = 9.8mA 10 = 14.8mA 11 = 19.7mA	10

DSC3	Bit	Description	Reset Value
Reserved	[31:10]	Reserved	0x0
DSC_LCD2	[9:8]	LCD_VD[23:16] drive strength. 00 = 2.6mA 01 = 5.2mA 10 = 7.8mA 11 = 10.5mA	10
DSC_LCD1	[7:6]	LCD_VD[15:8] drive strength. 00 = 2.6mA 01 = 5.2mA 10 = 7.8mA 11 = 10.5mA	10
DSC_LCD0	[5:4]	LCD_VD[7:0] drive strength. 00 = 2.6mA 01 = 5.2mA 10 = 7.8mA 11 = 10.5mA	10
DSC_HS_MMC	[3:2]	HS_MMC drive strength. 00 = 2.6mA 01 = 5.2mA 10 = 7.8mA 11 = 10.5mA	10
DSC_HS_SPI	[1:0]	HS_SPI drive strength. 00 = 2.6mA 01 = 5.2mA 10 = 7.8mA 11 = 10.5mA	10

3.19 PDDMCON (Power Down SDRAM Control Register)

Register	Address	R/W	Description	Reset Value
PDDMCON	0x56000114	R/W	Memory I/F control register	0x00411540

PDDMCON	Bit	Description	Reset Value
Reserved	[31:24]	Reserved	0x0
PSC_nSCLK	[23:22]	nSCLK pin status (inactive : "1") 00 = output 0 01 = output 1 10 = Hi-Z 11 = Not-Available	01
PSC_SCK	[21:20]	SCLK,SCKE pin status (inactive : "0") 00 = output 0 01 = output 1 10 = Hi-Z 11 = Not-Available	00
PSC_DQMH	[19:18]	DQM[3:2]/GPA[26:25] pin status, (inactive : DQM[3:2] = "00") 00 = output 0 01 = output 1 10 = Hi-Z 11 = Not-Available	00
PSC_DQML	[17:16]	DQM[1:0] pin status, (inactive : DQM[1:0] = "11") 00 = output 0 01 = output 1 10 = Hi-Z 11 = Not-Available	01
PSC_DQS	[15:14]	DQS[1:0] pin status (inactive : "0") 00 = output 0 01 = output 1 10 = Hi-Z 11 = Not-Available	00
PSC_nSWE	[13:12]	nSWE pin status (inactive : "1") 00 = output 0 01 = output 1 10 = Hi-Z 11 = Not-Available	01
PSC_SDR	[11:10]	nSCAS, nSRAS pin status (inactive : "1") 00 = output 0 01 = output 1 10 = Hi-Z 11 = Not-Available	01
PSC_nSCS1	[9:8]	nSCS1 pin status (inactive : "1") 00 = output 0 01 = output 1 10 = Hi-Z 11 = Not-Available	01
PSC_nSCS0	[7:6]	nSCS0 pin status (inactive : "1") 00 = output 0 01 = output 1 10 = Hi-Z 11 = Not-Available	01
PSC_SDATAH	[5:4]	SDATA[31:16]/GPK[15:0] pin status (inactive : "0") 00 = output 0 01 = output 1 10 = Hi-Z 11 = Not-Available	00
PSC_SDATAL	[3:2]	SDATA[15:0] pin status (inactive : "0") 00 = output 0 01 = output 1 10 = Hi-Z 11 = Not-Available	00
PSC_SADDR	[1:0]	SADDR[15:0] pin status (inactive : "0") 00 = output 0 01 = output 1 10 = Hi-Z 11 = Not-Available	00

3.20 PDSMCON (Power Down SRAM Control Register)

Register	Address	R/W	Description	Reset Value
PDSMCON	0x56000118	R/W	Memory I/F control register	0x05451500

PDSMCON	Bit	Description	Reset Value
Reserved	[31:28]	Reserved	0x0
Reserved	[27:26]	Reserved	01
Reserved	[25:24]	Reserved	01
PSC_NF1	[23:22]	nFCE/GPA[22], nFRE/GPA[20], nFWE/GPA[19] pin status (inactive : "1") 00 = output 0 01 = output 1 10 = Hi-Z 11 = Not-Available	01
PSC_NF0	[21:20]	ALC/GPA18, CLE/GPA17 pin status (inactive : "0") 00 = output 0 01 = output 1 10 = Hi-Z 11 = Not-Available	00
PSC_nRWE	[19:18]	nRWE pin status (inactive : "1") 00 = output 0 01 = output 1 10 = Hi-Z 11 = Not-Available	01
PSC_nROE	[17:16]	nROE pin status (inactive : "1") 00 = output 0 01 = output 1 10 = Hi-Z 11 = Not-Available	01
PSC_RSM	[15:14]	RSMCLK/GPA23, RSMAMD/GPA24 pin status (inactive : "0") 00 = output 0 01 = output 1 10 = Hi-Z 11 = Not-Available	00
PSC_nRBE	[13:12]	nRBE[1:0] pin status (inactive : "1") 00 = output 0 01 = output 1 10 = Hi-Z 11 = Not-Available	01
PSC_nRCS51	[11:10]	nRCS[5:1]/GPA[16:12] pin status (inactive : "1") 00 = output 0 01 = output 1 10 = Hi-Z 11 = Not-Available	01
PSC_nRCS0	[9:8]	nRCS0 pin status (inactive : "1") 00 = output 0 01 = output 1 10 = Hi-Z 11 = Not-Available	01
PSC_RDATA	[7:6]	RDATA[15:0] pin status (inactive : "0") 00 = output 0 01 = output 1 10 = Hi-Z 11 = Not-Available	00
PSC_RADDRH	[5:4]	RADDR[25:16]/GPA[GPA10:1] pin status (inactive : "0") 00 = output 0 01 = output 1 10 = Hi-Z 11 = Not-Available	00

PDSMCON	Bit	Description	Reset Value
PSC_RADDRL	[3:2]	RADDR[15:1] pin status (inactive : "0") 00 = output 0 01 = output 1 10 = Hi-Z 11 = Not-Available	00
PSC_RADDR0	[1:0]	RADDR[0]/GPA[0] pin status (inactive : "0") 00 = output 0 01 = output 1 10 = Hi-Z 11 = Not-Available	00

4 GPIO ALIVE & SLEEP PART

	Alive	Sleep
PAD	GPF[7:0], GPG[7:0]	GPA, GPB, GPC, GPD, GPE, GPG[15:8], GPH, GPK, GPL, GPM
SFR	GPACON[27:0], GPADAT[27:0] GPFCON[15:0], GPFDAT[7:0], GPFUDP[15:0] GPGCONL[15:0], GPGDATL[7:0], GPGUDPL[15:0] GPKCON[31:0], GPKDAT[15:0], GPKUDP[31:0] EXTINT0[31:0], EXINT1[31:0] PDDMCON, PDSMCON	All registers except alive SFR GP*CON, GP*DAT, GP*UDP

11

WATCHDOG TIMER

1 OVERVIEW

The S3C2416 watchdog timer is used to resume the controller operation whenever it is disturbed by malfunctions such as noise and system errors. The watchdog timer generates the reset signal. It can be used as a normal 16-bit interval timer to request interrupt service.

Advantage in using WDT instead of PWM timer is that WDT generates the reset signal.

1.1 FEATURES

The Watchdog Timer includes the following features:

- Normal interval timer mode with interrupt request
- Internal reset signal is activated for 128 PCLK cycles when the timer count value reaches 0 (time-out).

2 WATCHDOG TIMER OPERATION

2.1 BLOCK DIAGRAM

Figure 11-1 shows the functional block diagram of the watchdog timer. The watchdog timer uses only PCLK as its source clock. The PCLK frequency is prescaled to generate the corresponding watchdog timer clock, and the resulting frequency is divided again.

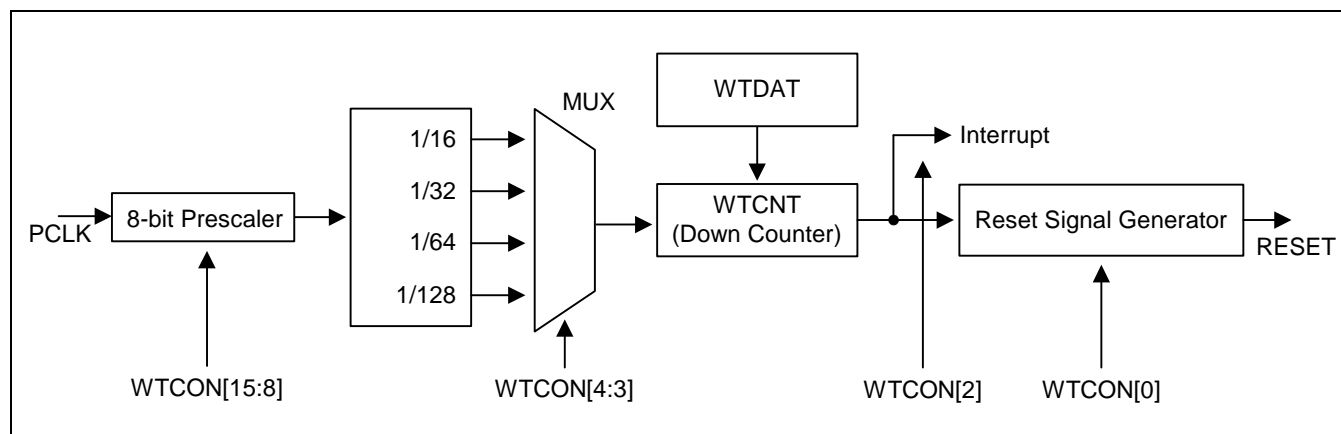


Figure 11-1. Watchdog Timer Block Diagram

The prescaler value and the frequency division factor are specified in the watchdog timer control (WTCON) register. Valid prescaler values range from 0 to 28-1. The frequency division factor can be selected as 16, 32, 64, or 128.

Use the following equation to calculate the watchdog timer clock frequency and the duration of each timer clock cycle:

$$t_{\text{watchdog}} = 1 / [\text{PCLK} / (\text{Prescaler value} + 1) / \text{Division_factor}]$$

2.2 WTDAT & WTCNT

Watchdog Timer operation based on the value of watchdog timer count (WTCNT) register. Once timer is operated, count value will be down counting from the initial value of WTCNT register. During the watchdog timer operation, it contains the current count values.

The value of WTDAT register will be automatically reloaded into WTCNT at every time-out, if watchdog timer is used for the normal timer.

NOTE

At initial watchdog timer operation(of enable), the value of watchdog timer data (WTDAT) register is not automatically loaded into the timer counter (WTCNT). An initial value MUST be written to the watchdog timer count (WTCNT) register, before the watchdog timer starts.

2.3 CONSIDERATION OF DEBUGGING ENVIRONMENT

When the S3C2416 is in debug mode using Embedded ICE, the watchdog timer must not operate.

The watchdog timer can determine whether or not it is currently in the debug mode from the CPU core signal (DBGACK signal). Once the DBGACK signal in CPU core is asserted, the reset output of the watchdog timer is not activated as the watchdog timer is expired.

3 WATCHDOG TIMER SPECIAL REGISTERS

3.1 WATCHDOG TIMER CONTROL (WTCN) REGISTER

The WTCN register allows the user to enable/disable the watchdog timer, select the clock signal from 4 different sources, enable/disable interrupts, and enable/disable the watchdog timer output.

The Watchdog timer is used to resume the S3C2416 restart on malfunction after its power on. At this time, disable the interrupt generation and enable the Watchdog timer output for reset signal.

If controller restart is not desired and if the user wants to use the normal timer only, which is provided by the Watchdog timer, enable the interrupt generation and disable the Watchdog timer output for reset signal.

Register	Address	R/W	Description	Reset Value
WTCN	0x53000000	R/W	Watchdog timer control register	0x8021

WTCN	Bit	Description	Initial State
Prescaler value	[15:8]	Prescaler value. The valid range is from 0 to 255(28-1).	0x80
Reserved	[7:6]	Reserved. These two bits must be 00 in normal operation.	00
Watchdog timer	[5]	Enable or disable bit of Watchdog timer. 0 = Disable 1 = Enable	1
Clock select	[4:3]	Determine the clock division factor. 00 = 16 01 = 32 10 = 64 11 = 128	00
Interrupt generation	[2]	Enable or disable bit of the interrupt. 0 = Disable 1 = Enable	0
Reserved	[1]	Reserved. This bit must be 0 in normal operation.	0
Reset enable/disable	[0]	Enable or disable bit of Watchdog timer output for reset signal. 1 = Assert reset signal of the S3C2416 at watchdog time-out 0 = Disable the reset function of the watchdog timer.	1

NOTE: Initial state of 'Reset enable/disable' is 1(reset enable). If user do not disable this bit, S3C2416 will be rebooted in about 5.63sec (In the case of PCLK is 12MHz). So at boot loader, this bit should be disabled before under control of Operating System, or Firmware.

3.2 WATCHDOG TIMER DATA (WTDAT) REGISTER

The WTDAT register is used to specify the time-out duration. The content of WTDAT cannot be automatically loaded into the timer counter at initial watchdog timer operation. However, using 0x8000 (initial value) will drive the first time-out. In this case, the value of WTDAT will be automatically reloaded into WTCNT.

Register	Address	R/W	Description	Reset Value
WTDAT	0x53000004	R/W	Watchdog timer data register	0x8000

WTDAT	Bit	Description	Initial State
Count reload value	[15:0]	Watchdog timer count value for reload.	0x8000

3.3 WATCHDOG TIMER COUNT (WTCNT) REGISTER

The WTCNT register contains the current count values for the watchdog timer during normal operation.

Note that the content of the WTDAT register cannot be automatically loaded into the timer count register when the watchdog timer is enabled initially, so the WTCNT register must be set to an initial value before enabling it.

Register	Address	R/W	Description	Reset Value
WTCNT	0x53000008	R/W	Watchdog timer count register	0x8000

WTCNT	Bit	Description	Initial State
Count value	[15:0]	The current count value of the watchdog timer	0x8000

NOTES

12

PWM TIMER

1 OVERVIEW

The S3C2416 has five 16-bit timers. Timer 0, 1, 2, and 3 have Pulse Width Modulation (PWM) function. Timer 4 has an internal timer only with no output pins. The timer 0 has a dead-zone generator, which is used with a large current device.

The timer 0 and 1 share an 8-bit prescaler, while the timer 2, 3 and 4 share other 8-bit prescaler. Each timer has a clock divider, which generates 5 different divided signals (1/2, 1/4, 1/8, 1/16, and TCLK). Each timer block receives its own clock signals from the clock divider, which receives the clock from the corresponding 8-bit prescaler. The 8-bit prescaler is programmable and divides the PCLK according to the loading value, which is stored in TCFG0 and TCFG1 registers.

The timer count buffer register (TCNTBn) has an initial value, which is loaded into the internal down-counter when the timer is enabled. The timer compare buffer register (TCMPBn) has an initial value, which is loaded into the internal compare register to be compared with the internal down-counter value. This double buffering feature of TCNTBn and TCMPBn makes the timer generate a stable output when the frequency and duty ratio are changed.

Each timer has its own 16-bit internal down counter, which is driven by the timer clock. When the internal down-counter reaches zero, the timer interrupt request is generated to inform the CPU that the timer operation has been completed. When the timer internal down-counter reaches zero, the value of corresponding TCNTBn is automatically loaded into the internal down-counter to continue the next operation. However, if the timer stops, for example, by clearing the timer enable bit of TCONn during the timer running mode, the value of TCNTBn will not be reloaded into the internal down-counter.

The value of TCMPBn is used for pulse width modulation (PWM). The timer control logic changes the output level when the internal down-counter value matches the value of the internal compare register in the timer control logic. Therefore, the internal compare register determines the turn-on time (or turn-off time) of a PWM output.

1.1 FEATURE

- Five 16-bit timers
- Two 8-bit prescalers & Two 4-bit divider
- Programmable duty control of output waveform (PWM)
- Auto reload mode or one-shot pulse mode
- Dead-zone generator

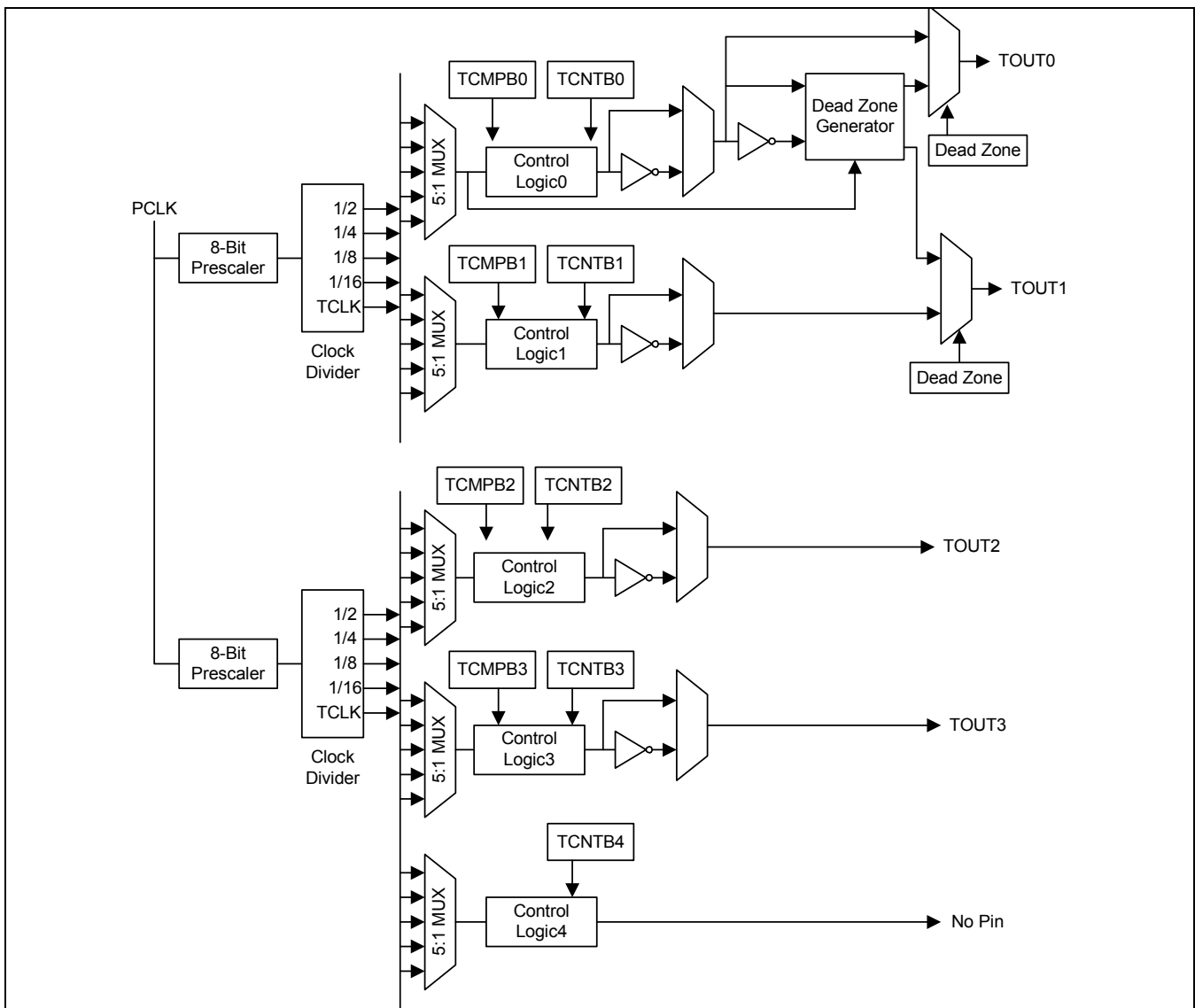


Figure 12-1. 16-bit PWM Timer Block Diagram

2 PWM TIMER OPERATION

2.1 PRESCALER & DIVIDER

An 8-bit prescaler and a 4-bit divider make the following output frequencies:

4-bit Divider Settings	Minimum Resolution (prescaler = 0)	Maximum Resolution (prescaler = 255)	Min. Interval (TCNTBn = 1)	Max. Interval (TCNTBn = 65535)
1/2 (PCLK = 50 MHz)	0.0400 us (25.000 MHz)	10.2400 us (97.6562 kHz)	0.0800 us	0.6710 sec
1/4 (PCLK = 50 MHz)	0.0800 us (12.500 MHz)	20.4800 us (48.8281 kHz)	0.1600 us	1.3421 sec
1/8 (PCLK = 50 MHz)	0.1600 us (6.250 MHz)	40.9601 us (24.4140 kHz)	0.3200 us	2.6843 sec
1/16 (PCLK = 50 MHz)	0.3200 us (3.125 MHz)	81.9188 us (12.2070 kHz)	0.6400 us	5.3686 sec

2.2 BASIC TIMER OPERATION

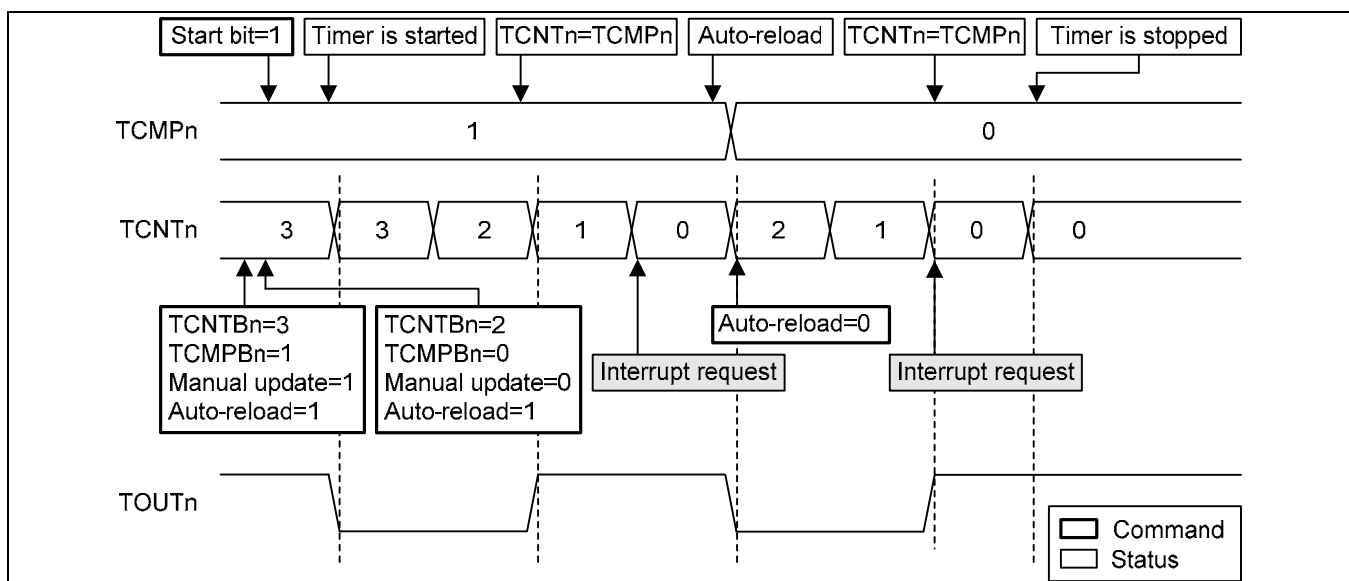


Figure 12-2. Timer Operations

A timer (except the timer ch-4) has TCNTBn, TCNTn, TCMPBn and TCMPn. The TCNTBn and the TCMPBn are loaded into the TCNTn and the TCMPn when the timer reaches 0.

When the TCNTn reaches 0, an interrupt request will occur if the interrupt is enabled.

NOTE

TCNTn and TCMPn are the names of the internal registers. (16bit Internal down-counter (register) and 16bit internal compare register, respectively.) The TCNTn register can be read from the TCNTOn register

If you want to generate interrupt at intervals 3cycle of TOUTn, set TCNTBn, TCMPBn and TCON register like Figure 12-2. That is :

- i) Set TCNTBn=3 and TCMPBn=1.
- ii) Set auto-reload=1 and manual update=1.
When manual update bit is 1, TCNTBn and TCMPBn value are loaded to TCNTn and TCMPn.
- iii) Set TCNTBn=2 and TCMPBn=0 for next operation.
- iv) Set auto-reload=1 and manual update=0.
If you set manual update=1 at this time, TCNTn is changed to 2 and TCMP is changed to 0.
So, interrupt is generated at interval 2cycle instead of 3cycle.
You must set auto-reload=1 automatically for next operation.
- v) Set start = 1 for operation start and then TCNTn is down counting.
When TCNTn is 0, interrupt is generated and If auto-reload is enable, TCNTn is loaded 2 (TCNTBn value) and TCMPn is loaded 0(TCMPn value).
- vi) Before stop, TCNTn is down counting.

2.3 AUTO RELOAD & DOUBLE BUFFERING

S3C2416 PWM Timers have a double buffering function, enabling the reload value changed for the next timer operation without stopping the current timer operation. So, although the new timer value is set, a current timer operation is completed successfully.

The timer value can be written into Timer Count Buffer register (TCNTBn) and the current counter value of the timer can be read from Timer Count Observation register (TCNTOn). If the TCNTBn is read, the read value does not indicate the current state of the counter but the reload value for the next timer duration.

The auto-reload operation copies the TCNTBn into TCNTn when the TCNTn reaches 0. The value, written into the TCNTBn, is loaded to the TCNTn only when the TCNTn reaches 0 and auto reload is enabled. If the TCNTn becomes 0 and the auto reload bit is 0, the TCNTn does not operate any further.

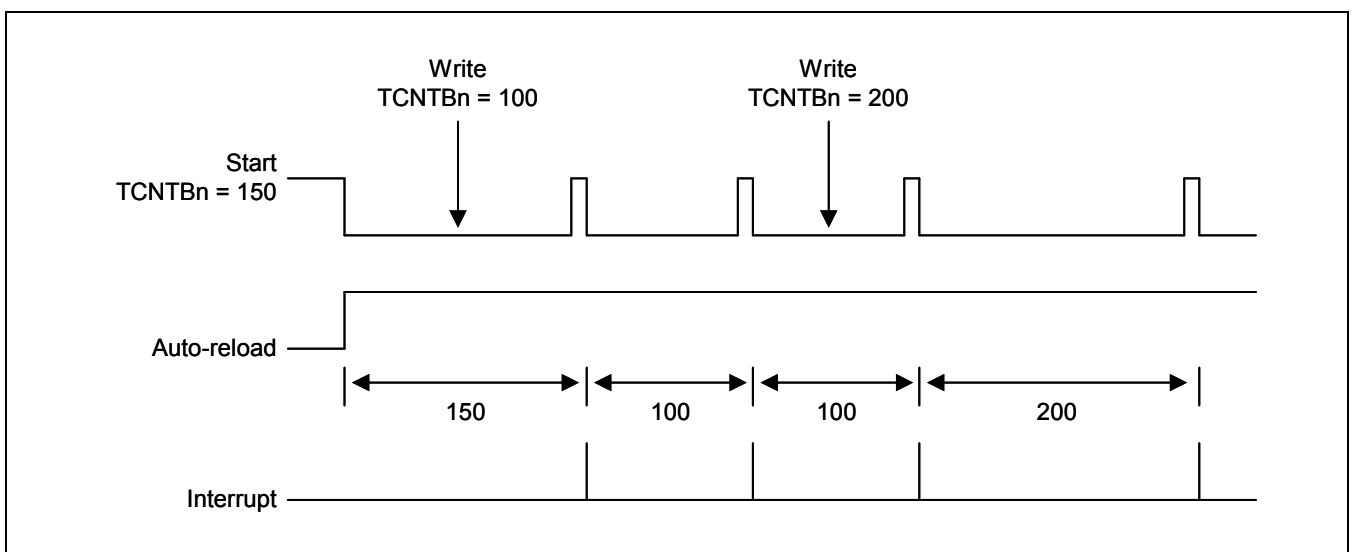


Figure 12-3. Example of Double Buffering Function

2.4 TIMER INITIALIZATION USING MANUAL UPDATE BIT AND INVERTER BIT

An auto reload operation of the timer occurs when the internal down-counter(TCNTn) reaches 0. So, a starting value of the TCNTn has to be defined by the user in advance. In this case, the starting value has to be loaded by the manual update bit. The following steps describe how to start a timer:

1. Write the initial value into TCNTBn and TCMPBn.
2. Set the manual update bit of the corresponding timer. It is recommended that you configure the inverter on/off bit. (Whether use inverter or not).
3. Set start bit of the corresponding timer to start the timer (and clear the manual update bit, configure the inverter on/off bit as you want).

If the timer is stopped by force, the TCNTn retains the counter value and is not reloaded from TCNTBn. If a new value has to be set, perform manual update.

NOTE

Whenever TOUT inverter on/off bit is changed, the TOUTn logic value will also be changed whether the timer runs. Therefore, it is desirable that the inverter on/off bit is configured with the manual update bit.

2.5 TIMER OPERATION

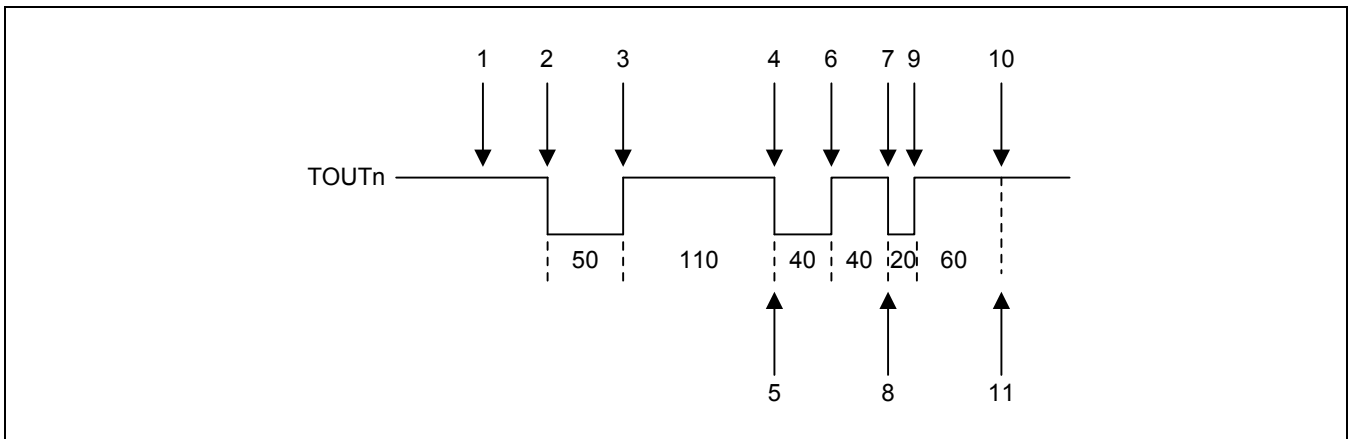


Figure 12-4. Example of a Timer Operation

The above Figure 12-4 shows the result of the following procedure:

1. Enable the auto re-load function. Set the TCNTBn to 160 (50+110) and the TCMPBn to 110. Set the manual update bit and configure the inverter bit (on/off). The manual update bit sets TCNTn and TCMPn to the values of TCNTBn and TCMPBn, respectively.
And then, set the TCNTBn and the TCMPBn to 80 (40+40) and 40, respectively, to determine the next reload value.
2. Set the start bit, provided that manual_update is 0 and the inverter is off and auto reload is on. The timer starts counting down after latency time within the timer resolution.
3. When the TCNTn has the same value as that of the TCMPn, the logic level of the TOUTn is changed from low to high.
4. When the TCNTn reaches 0, the interrupt request is generated and TCNTBn value is loaded into a temporary register. At the next timer tick, the TCNTn is reloaded with the temporary register value (TCNTBn).
5. In Interrupt Service Routine (ISR), the TCNTBn and the TCMPBn are set to 80 (20+60) and 60, respectively, for the next duration.
6. When the TCNTn has the same value as the TCMPn, the logic level of TOUTn is changed from low to high.
7. When the TCNTn reaches 0, the TCNTn is reloaded automatically with the TCNTBn, triggering an interrupt request.
8. In Interrupt Service Routine (ISR), auto reload and interrupt request are disabled to stop the timer.
9. When the value of the TCNTn is same as the TCMPn, the logic level of the TOUTn is changed from low to high.
10. Even when the TCNTn reaches 0, the TCNTn is not any more reloaded and the timer is stopped because auto reload has been disabled.
11. No more interrupt requests are generated.

2.6 PULSE WIDTH MODULATION (PWM)

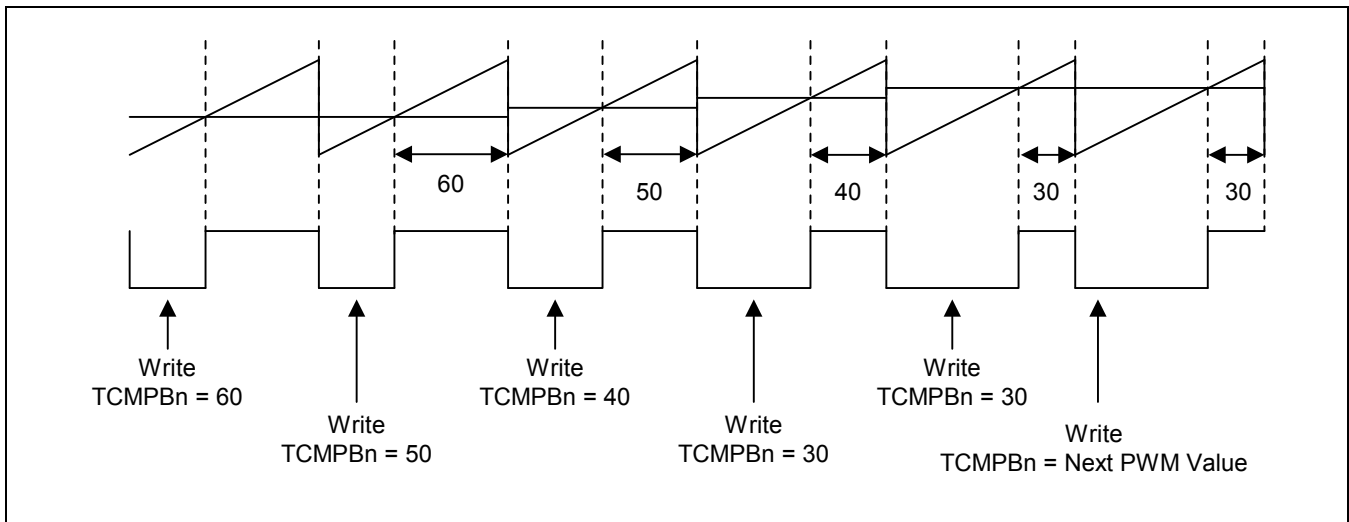


Figure 12-5. Example of PWM

PWM function can be implemented by using the TCMPBn. PWM frequency is determined by TCNTBn. Figure 12-5 shows a PWM value determined by TCMPBn.

For a higher PWM value, decrease the TCMPBn value. For a lower PWM value, increase the TCMPBn value. If an output inverter is enabled, the increment/decrement may be reversed.

The double buffering function allows the TCMPBn, for the next PWM cycle, written at any point in the current PWM cycle by ISR or other routine.

2.7 OUTPUT LEVEL CONTROL

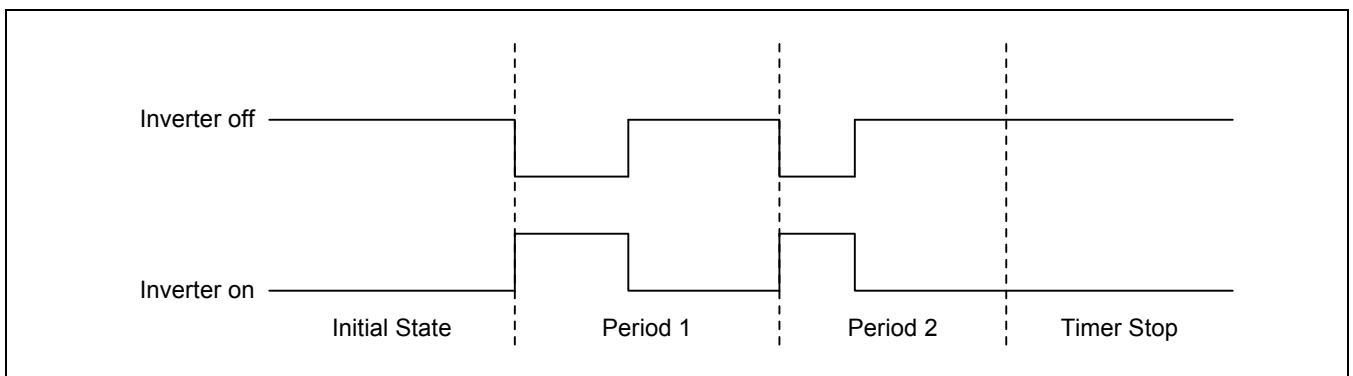


Figure 12-6. Inverter On/Off

The following procedure describes how to maintain TOUT as high or low (assume the inverter is off):

1. Turn off the auto reload bit. And then, the timer is stopped after the TCNTn reaches 0, TOUTn goes to high level (recommended).
2. Stop the timer by clearing the timer start/stop bit to 0. If $TCNTn \leq TCMPn$ at that moment, the output level is high. If $TCNTn > TCMPn$, the output level is low.
3. The TOUTn can be inverted by the inverter on/off bit in TCON. The inverter removes the additional circuit to adjust the output level.

2.8 DEAD ZONE GENERATOR

The Dead Zone is for the PWM control in a power device. This function enables the insertion of the time gap between a turn-off of a switching device and a turn on of another switching device. This time gap prohibits the two switching devices from being turned on simultaneously, even for a very short time.

TOUT0 is the PWM output. nTOUT0 is the inversion of the TOUT0. If the dead zone is enabled, the output wave form of TOUT0 and nTOUT0 will be TOUT0_DZ and nTOUT0_DZ, respectively. nTOUT0_DZ is routed to the TOUT1 pin.

In the dead zone interval, TOUT0_DZ and nTOUT0_DZ can never be turned on simultaneously.

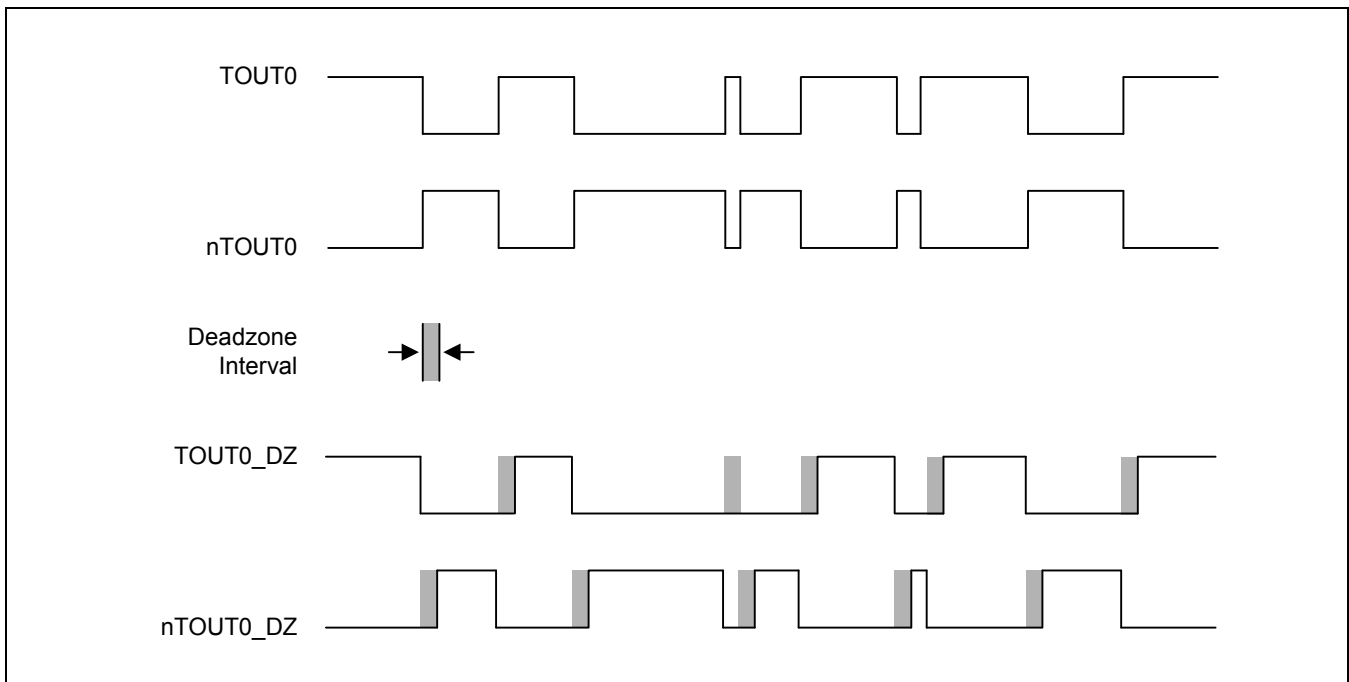


Figure 12-7. The Wave Form When a Dead Zone Feature is Enabled

2.9 DMA REQUEST MODE

The PWM timer can generate a DMA request at every specific time. The timer keeps DMA request signals (nDMA_REQ) low until the timer receives an ACK signal. When the timer receives the ACK signal, it makes the request signal inactive. The timer, which generates the DMA request, is determined by setting DMA mode bits (in TCFG1 register). If one of timers is configured as DMA request mode, that timer does not generate an interrupt request. The others can generate interrupt normally.

DMA mode configuration and DMA / interrupt operation

DMA Mode	DMA Request	Timer0 INT	Timer1 INT	Timer2 INT	Timer3 INT	Timer4 INT
0000	No select	ON	ON	ON	ON	ON
0001	Timer0	OFF	ON	ON	ON	ON
0010	Timer1	ON	OFF	ON	ON	ON
0011	Timer2	ON	ON	OFF	ON	ON
0100	Timer3	ON	ON	ON	OFF	ON
0101	Timer4	ON	ON	ON	ON	OFF
0110	No select	ON	ON	ON	ON	ON

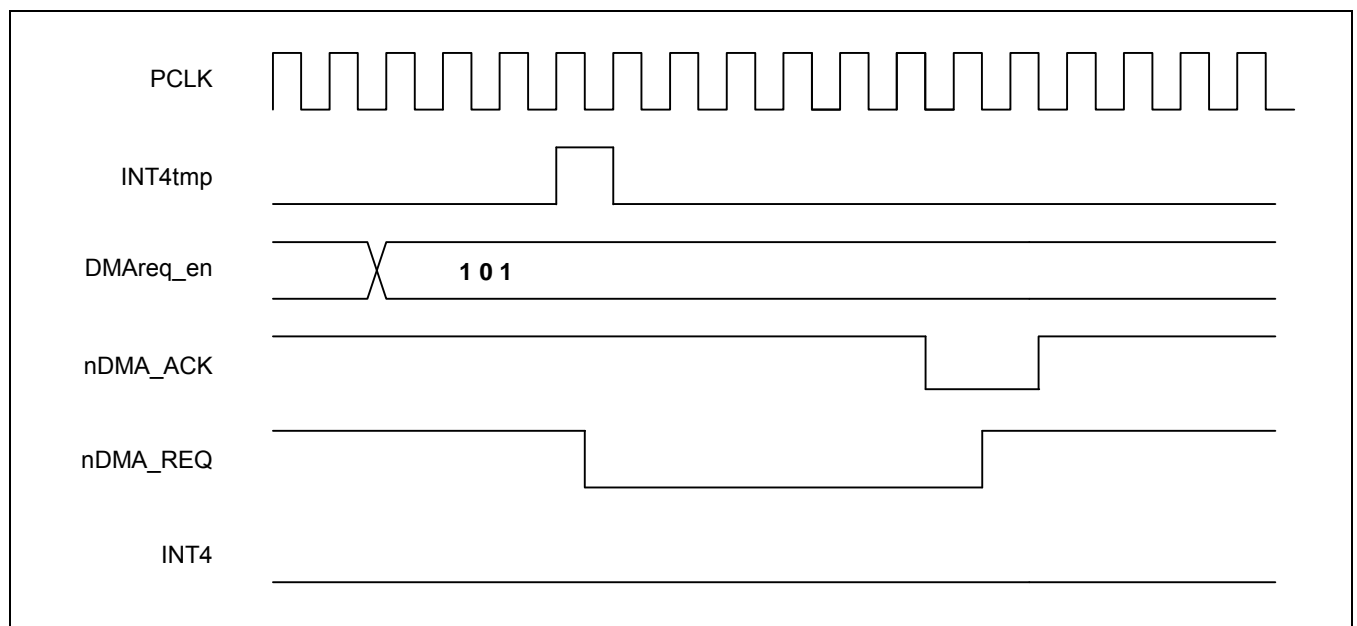


Figure 12-8. Timer4 DMA Mode Operation

3 PWM TIMER CONTROL REGISTERS

3.1 TIMER CONFIGURATION REGISTER0 (TCFG0)

Timer input clock Frequency = $PCLK / \{\text{prescaler value} + 1\} / \{\text{divider value}\}$

{prescaler value} = 0~255

{divider value} = 2, 4, 8, 16

Register	Address	R/W	Description	Reset Value
TCFG0	0x51000000	R/W	Configures the two 8-bit prescalers	0x00000000

TCFG0	Bit	Description	Initial State
Reserved	[31:24]		0x00
Dead zone length	[23:16]	These 8 bits determine the dead zone length. The 1 unit time of the dead zone length is equal to that of timer 0.	0x00
Prescaler 1	[15:8]	These 8 bits determine prescaler value for Timer 2, 3 and 4.	0x00
Prescaler 0	[7:0]	These 8 bits determine prescaler value for Timer 0 and 1.	0x00

3.2 TIMER CONFIGURATION REGISTER1 (TCFG1)

Register	Address	R/W	Description	Reset Value
TCFG1	0x51000004	R/W	5-MUX & DMA mode selection register	0x00000000

TCFG1	Bit	Description	Initial State
Reserved	[31:24]		00000000
DMA mode	[23:20]	Select DMA request channel 0000 = No select (all interrupt) 0001 = Timer0 0010 = Timer1 0011 = Timer2 0100 = Timer3 0101 = Timer4 0110 = Reserved	0000
MUX 4	[19:16]	Select MUX input for PWM Timer4. 0000 = 1/2 0001 = 1/4 0010 = 1/8 0011 = 1/16 01xx = External TCLK	0000
MUX 3	[15:12]	Select MUX input for PWM Timer3. 0000 = 1/2 0001 = 1/4 0010 = 1/8 0011 = 1/16 01xx = External TCLK	0000
MUX 2	[11:8]	Select MUX input for PWM Timer2. 0000 = 1/2 0001 = 1/4 0010 = 1/8 0011 = 1/16 01xx = External TCLK	0000
MUX 1	[7:4]	Select MUX input for PWM Timer1. 0000 = 1/2 0001 = 1/4 0010 = 1/8 0011 = 1/16 01xx = External TCLK	0000
MUX 0	[3:0]	Select MUX input for PWM Timer0. 0000 = 1/2 0001 = 1/4 0010 = 1/8 0011 = 1/16 01xx = External TCLK	0000

Notice) When you use External TCLK, duty of TOUT may show slight error. External TCLK is sampled by PCLK in PWM module. But External TCLK and PCLK is asynchronous clock. So External TCLK may not be sampled at exact time. This slight error can be reduced when External clock is slower than PCLK. So we recommend using External PCLK under 1MHz.

(Ex. When PCLK is 66MHz and External PCLK is 1MHz, duty or jitter error can be 1.5%. When PCLK is 66MHz and External PCLK is 0.5MHz, duty or jitter error can be 0.75%)

3.3 TIMER CONTROL (TCON) REGISTER

Register	Address	R/W	Description	Reset Value
TCON	0x51000008	R/W	Timer control register	0x00000000

TCON	Bit	Description	Initial state
Timer 4 auto reload on/off	[22]	Determine auto reload on/off for Timer 4. 0 = One-shot 1 = Interval mode (auto reload)	0
Timer 4 manual update <small>(note)</small>	[21]	Determine the manual update for Timer 4. 0 = No operation 1 = Update TCNTB4	0
Timer 4 start/stop	[20]	Determine start/stop for Timer 4. 0 = Stop 1 = Start for Timer 4	0
Timer 3 auto reload on/off	[19]	Determine auto reload on/off for Timer 3. 0 = One-shot 1 = Interval mode (auto reload)	0
Timer 3 output inverter on/off	[18]	Determine output inverter on/off for Timer 3. 0 = Inverter off 1 = Inverter on for TOUT3	0
Timer 3 manual update <small>(note)</small>	[17]	Determine manual update for Timer 3. 0 = No operation 1 = Update TCNTB3 & TCMPB3	0
Timer 3 start/stop	[16]	Determine start/stop for Timer 3. 0 = Stop 1 = Start for Timer 3	0
Timer 2 auto reload on/off	[15]	Determine auto reload on/off for Timer 2. 0 = One-shot 1 = Interval mode (auto reload)	0
Timer 2 output inverter on/off	[14]	Determine output inverter on/off for Timer 2. 0 = Inverter off 1 = Inverter on for TOUT2	0
Timer 2 manual update <small>(note)</small>	[13]	Determine the manual update for Timer 2. 0 = No operation 1 = Update TCNTB2 & TCMPB2	0
Timer 2 start/stop	[12]	Determine start/stop for Timer 2. 0 = Stop 1 = Start for Timer 2	0
Timer 1 auto reload on/off	[11]	Determine the auto reload on/off for Timer1. 0 = One-shot 1 = Interval mode (auto reload)	0
Timer 1 output inverter on/off	[10]	Determine the output inverter on/off for Timer1. 0 = Inverter off 1 = Inverter on for TOUT1	0
Timer 1 manual update <small>(note)</small>	[9]	Determine the manual update for Timer 1. 0 = No operation 1 = Update TCNTB1 & TCMPB1	0
Timer 1 start/stop	[8]	Determine start/stop for Timer 1. 0 = Stop 1 = Start for Timer 1	0

NOTE: The bits have to be cleared at next writing.

TCON	Bit	Description	Initial state
Reserved	[7:5]	Reserved	
Dead zone enable	[4]	Determine the dead zone operation. 0 = Disable 1 = Enable	0
Timer 0 auto reload on/off	[3]	Determine auto reload on/off for Timer 0. 0 = One-shot 1 = Interval mode(auto reload)	0
Timer 0 output inverter on/off	[2]	Determine the output inverter on/off for Timer 0. 0 = Inverter off 1 = Inverter on for TOUT0	0
Timer 0 manual update <small>(note)</small>	[1]	Determine the manual update for Timer 0. 0 = No operation 1 = Update TCNTB0 & TCMPB0	0
Timer 0 start/stop	[0]	Determine start/stop for Timer 0. 0 = Stop 1 = Start for Timer 0	0

NOTE: The bit has to be cleared at next writing.

3.4 TIMER 0 COUNT BUFFER REGISTER & COMPARE BUFFER REGISTER (TCNTB0/TCMPB0)

Register	Address	R/W	Description	Reset Value
TCNTB0	0x5100000C	R/W	Timer 0 count buffer register	0x00000000
TCMPB0	0x51000010	R/W	Timer 0 compare buffer register	0x00000000

TCMPB0	Bit	Description	Initial State
Timer 0 compare buffer register	[15:0]	Set compare buffer value for Timer 0	0x00000000

TCNTB0	Bit	Description	Initial State
Timer 0 count buffer register	[15:0]	Set count buffer value for Timer 0	0x00000000

3.5 TIMER 0 COUNT OBSERVATION REGISTER (TCNTO0)

Register	Address	R/W	Description	Reset Value
TCNTO0	0x51000014	R	Timer 0 count observation register	0x00000000

TCNTO0	Bit	Description	Initial State
Timer 0 observation register	[15:0]	Set count observation value for Timer 0	0x00000000

3.6 TIMER 1 COUNT BUFFER REGISTER & COMPARE BUFFER REGISTER (TCNTB1/TCMPB1)

Register	Address	R/W	Description	Reset Value
TCNTB1	0x51000018	R/W	Timer 1 count buffer register	0x00000000
TCMPB1	0x5100001C	R/W	Timer 1 compare buffer register	0x00000000

TCMPB1	Bit	Description	Initial State
Timer 1 compare buffer register	[15:0]	Set compare buffer value for Timer 1	0x00000000

TCNTB1	Bit	Description	Initial State
Timer 1 count buffer register	[15:0]	Set count buffer value for Timer 1	0x00000000

3.7 TIMER 1 COUNT OBSERVATION REGISTER (TCNTO1)

Register	Address	R/W	Description	Reset Value
TCNTO1	0x51000020	R	Timer 1 count observation register	0x00000000

TCNTO1	Bit	Description	Initial State
Timer 1 observation register	[15:0]	Set count observation value for Timer 1	0x00000000

3.8 TIMER 2 COUNT BUFFER REGISTER & COMPARE BUFFER REGISTER (TCNTB2/TCMPB2)

Register	Address	R/W	Description	Reset Value
TCNTB2	0x51000024	R/W	Timer 2 count buffer register	0x00000000
TCMPB2	0x51000028	R/W	Timer 2 compare buffer register	0x00000000

TCMPB2	Bit	Description	Initial State
Timer 2 compare buffer register	[15:0]	Set compare buffer value for Timer 2	0x00000000

TCNTB2	Bit	Description	Initial State
Timer 2 count buffer register	[15:0]	Set count buffer value for Timer 2	0x00000000

3.9 TIMER 2 COUNT OBSERVATION REGISTER (TCNTO2)

Register	Address	R/W	Description	Reset Value
TCNTO2	0x5100002C	R	Timer 2 count observation register	0x00000000

TCNTO2	Bit	Description	Initial State
Timer 2 observation register	[15:0]	Set count observation value for Timer 2	0x00000000

3.10 TIMER 3 COUNT BUFFER REGISTER & COMPARE BUFFER REGISTER (TCNTB3/TCMPB3)

Register	Address	R/W	Description	Reset Value
TCNTB3	0x51000030	R/W	Timer 3 count buffer register	0x00000000
TCMPB3	0x51000034	R/W	Timer 3 compare buffer register	0x00000000

TCMPB3	Bit	Description	Initial State
Timer 3 compare buffer register	[15:0]	Set compare buffer value for Timer 3	0x00000000

TCNTB3	Bit	Description	Initial State
Timer 3 count buffer register	[15:0]	Set count buffer value for Timer 3	0x00000000

3.11 TIMER 3 COUNT OBSERVATION REGISTER (TCNTO3)

Register	Address	R/W	Description	Reset Value
TCNTO3	0x51000038	R	Timer 3 count observation register	0x00000000

TCNTO3	Bit	Description	Initial State
Timer 3 observation register	[15:0]	Set count observation value for Timer 3	0x00000000

3.12 TIMER 4 COUNT BUFFER REGISTER (TCNTB4)

Register	Address	R/W	Description	Reset Value
TCNTB4	0x5100003C	R/W	Timer 4 count buffer register	0x00000000

TCNTB4	Bit	Description	Initial State
Timer 4 count buffer register	[15:0]	Set count buffer value for Timer 4	0x00000000

3.13 TIMER 4 COUNT OBSERVATION REGISTER (TCNTO4)

Register	Address	R/W	Description	Reset Value
TCNTO4	0x51000040	R	Timer 4 count observation register	0x00000000

TCNTO4	Bit	Description	Initial State
Timer 4 observation register	[15:0]	Set count observation value for Timer 4	0x00000000

13

REAL TIME CLOCK (RTC)

This chapter describes the functions and usage of Real Time Clock (RTC) in S3C2416 RISC microprocessor.

1 OVERVIEW

The Real Time Clock (RTC) unit can be operated by the backup battery when the system power is off. The data include the time by second, minute, hour, date, day, month, and year. The RTC unit works with an external 32.768 KHz crystal and can perform the alarm function.

1.1 FEATURES

The Real Time Clock includes the following features:

- BCD number: second, minute, hour, date, day, month, and year.
- Leap year generator
- Alarm function: alarm-interrupt or wake-up from power-off mode.
- Tick counter function: tick-interrupt or wake-up from power-off mode.
- Year 2000 problem is removed.
- Independent power pin (RTCVDD).
- Supports millisecond tick time interrupt for RTOS kernel time tick.

1.2 REAL TIME CLOCK OPERATION DESCRIPTION

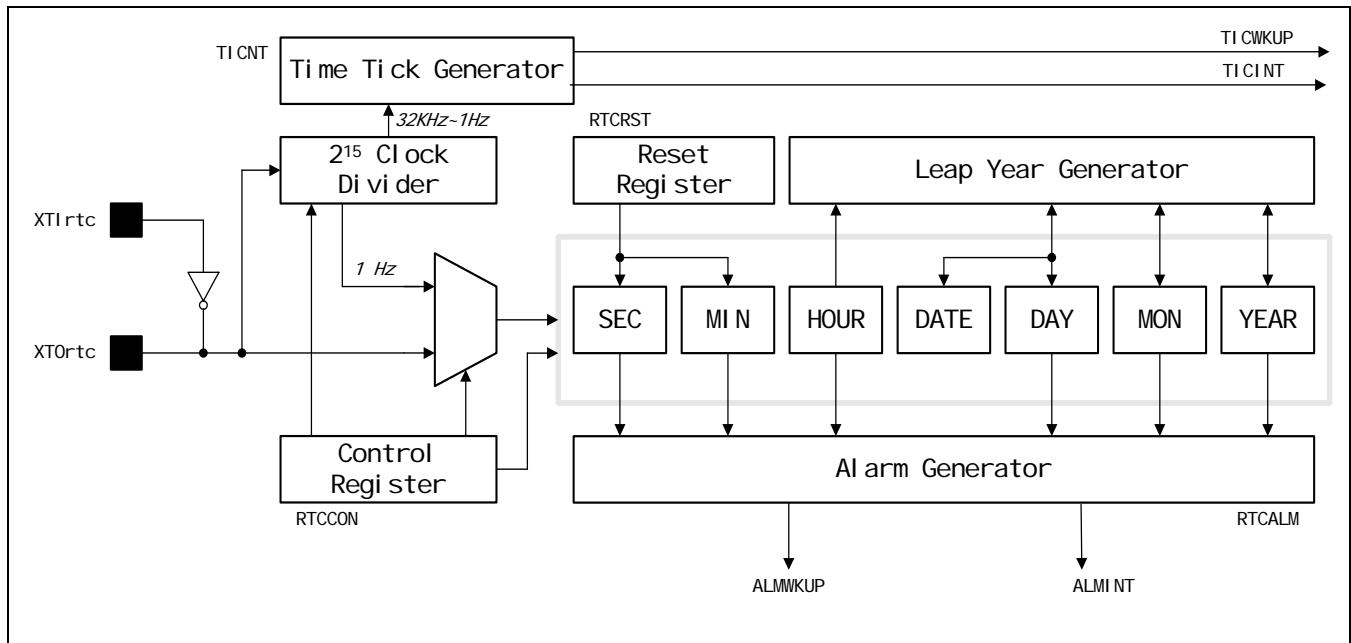


Figure 13-1. Real Time Clock Block Diagram

1.2.1 Leap Year Generator

The leap year generator can determine the last date of each month out of 28, 29, 30, or 31, based on data from BCDDAY, BCDMON, and BCDYEAR. This block considers leap year in deciding on the last date. An 8-bit counter can only represent 2 BCD digits, therefore it cannot decide whether "00" year (the year with its last two digits zeros) is a leap year or not. For example, it cannot discriminate between 1900 and 2000. To solve this problem, the RTC block in S3C2416 has hard-wired logic to support the leap year in 2000. Note 1900 is not leap year while 2000 is leap year in general Gregorian calendar. Therefore, two digits of 00 in S3C2416 denote 2000, not 1900. So, RTC in S3C2416 supports from 1901 to 2099.

1.2.2 Read/Write Register

Bit 0 of the RTCCON register must be set high in order to write the BCD register in RTC block. To display the second, minute, hour, day, date, month, and year, the CPU must read the data in BCDSEC, BCDMIN, BCDHOUR, BCDDATE, BCDDAY, BCDMON, and BCDYEAR registers respectively in the RTC block. However, a one second deviation may exist because multiple registers are read. For example, when the user reads the registers from BCDYEAR to BCDMIN, the result is assumed to be 2059 (Year), 12 (Month), 31 (Date), 23 (Hour) and 59 (Minute). When the user read the BCDSEC register and the value ranges from 1 to 59 (Second), there is no problem, but, if the value is 0 sec., the year, month, date, hour, and minute may be changed to 2060 (Year), 1 (Month), 1 (Date), 0 (Hour) and 0 (Minute) because of the one second deviation that was mentioned. In this case, the user must re-read from BCDYEAR to BCDSEC if BCDSEC is zero.

1.2.3 Backup Battery Operation

The RTC logic can be driven by the backup battery, which supplies the power through the RTCVDD pin into the RTC block, even if the system power is off. When the system is off, the interfaces of the CPU and RTC logic must be blocked, and the backup battery only drives the oscillation circuit and the BCD counters to minimize power dissipation.

1.2.4 Alarm Function

The RTC generates ALMINT(alarm interrupt) and ALMWKUP(alarm wake-up) at a specified time in the power-down mode, power off mode or normal operation mode. In normal operation mode, If ALARM register value is a same to BCD register, ALMINT is activated as well as the ALMWKUP. In the power-off and power-down, If ALARM register value is a same to BCD register, ALMWKUP is activated. The RTC alarm register (RTCALM) determines the alarm enable/disable status and the condition of the alarm time setting.

1.2.5 Tick time interrupt

The RTC tick time is used for interrupt request. The TICNT register has an interrupt enable bit and the count value for the interrupt. The count value reaches '0' when the tick time interrupt occurs. Then the period of interrupt is as follows:

- Tick clock frequency (Hz) = RTC clock / 2^n
- n: RTC clock divide value(decided by RTCCON[8:4])
- Resolution = 1 / Tick clock frequency
- Clock range = Resolution * 2^{32}

Tick counter clock source selection	Tick clock source frequency(Hz)	Clock range (s)	Resolution (ms)
TICSel = 1	32768 (2^{15})	0 ~ 2^{17}	0.03
TICsel2 = 0, TICSel =0	16384 (2^{14})	0 ~ 2^{18}	0.06
TICsel2 = 1, TICSel =0	8192 (2^{13})	0 ~ 2^{19}	0.12
TICsel2 = 2, TICSel =0	4096 (2^{12})	0 ~ 2^{20}	0.24
TICsel2 = 3, TICSel =0	2048 (2^{11})	0 ~ 2^{21}	0.49
TICsel2 = 6, TICSel =0	1024 (2^{10})	0 ~ 2^{22}	0.97
TICsel2 = 7, TICSel =0	512 (2^9)	0 ~ 2^{23}	1.95
TICsel2 = 8, TICSel =0	256 (2^8)	0 ~ 2^{24}	3.90
TICsel2 = 4, TICSel =0	128 (2^7)	0 ~ 2^{25}	7.81
TICsel2 = 9, TICSel =0	64 (2^6)	0 ~ 2^{26}	15.62
TICsel2 = 10, TICSel =0	32 (2^5)	0 ~ 2^{27}	31.25
TICsel2 = 11, TICSel =0	16 (2^4)	0 ~ 2^{28}	62.50
TICsel2 = 12, TICSel =0	8 (2^3)	0 ~ 2^{29}	125
TICsel2 = 13, TICSel =0	4 (2^2)	0 ~ 2^{30}	250
TICsel2 = 14, TICSel =0	2	0 ~ 2^{31}	500
TICsel2 = 5, TICSel =0	1	0 ~ 2^{32}	1000

NOTE: This RTC time tick may be used for real time operating system (RTOS) kernel time tick.

If time tick is generated by the RTC time tick, the time related function of RTOS will always synchronized in real time.

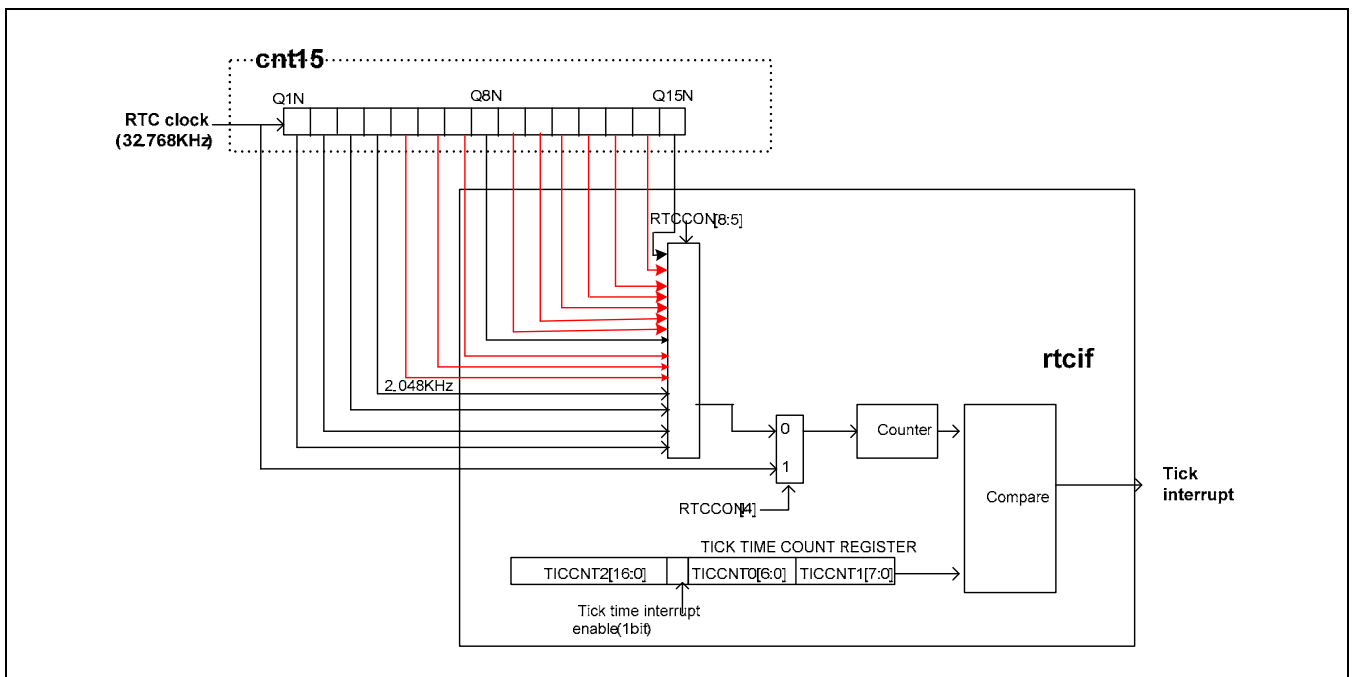


Figure 13-2. RTC Tick Interrupt Clock Scheme

Example) For 1 ms Tick interrupt generation.

- 1st) RTCCON[0]= 1'b1 (RTC enable)
- 2nd) RTCCON[3]=1'b1 (RTC clock counter reset).
- 3rd) RTCCON[3] = 1'b0 (RTC clock counter enable)
- 4th) RTCCON[8:5] = 4'b0011 (RTC divide clock selection.)
- 5th) TICCNT1[6:0] = 7'h1 (Tick counter value setting).
- 6th) TICCNT0[7] = 1'b1 (Tick counter enable).

1.2.6 32.768 kHz X-TAL Connection EXAMPLE

The Figure 13-3 shows a circuit of the RTC unit oscillation at 32.768 kHz.

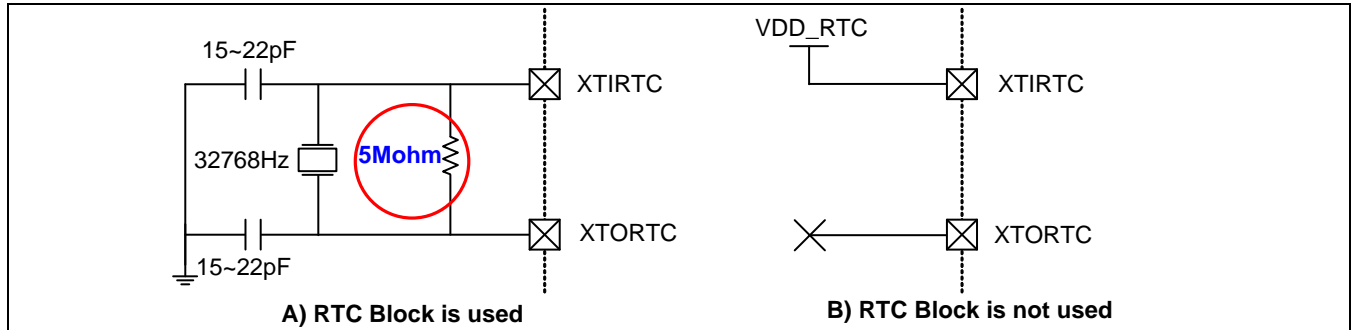


Figure 13-3. Main Oscillator Circuit Example

1.3 EXTERNAL INTERFACE

Name	Direction	Description
XTI	Input	32 kHz RTC Oscillator Clock Input
XTO	Input	32 kHz RTC Oscillator Clock output

1.4 REGISTER DESCRIPTION

1.4.1 Memory Map

Table 13-1. RTC Register summary

Register	Address	R/W	Description	Reset Value
RTCCON	0x57000040	R/W	RTC control Register	0x00
TICNT0	0x57000044	R/W	Tick time count Register0	0x0
TICNT1	0x5700004C	R/W	Tick time count Register1	0x0
TICNT2	0x57000048	R/W	Tick time count Register2	0x0
RTCALM	0x57000050	R/W	RTC alarm control Register	0x0
ALMSEC	0x57000054	R/W	Alarm second data Register	0x0
ALMMIN	0x57000058	R/W	Alarm minute data Register	0x00
ALMHOUR	0x5700005C	R/W	Alarm hour data Register	0x0
ALMDATE	0x57000060	R/W	Alarm date data Register	0x01
ALMMON	0x57000064	R/W	Alarm month data Register	0x01
ALMYEAR	0x57000068	R/W	Alarm year data Register	0x0
BCDSEC	0x57000070	R/W	BCD second Register	Undefined
BCDMIN	0x57000074	R/W	BCD minute Register	Undefined
BCDHOURL	0x57000078	R/W	BCD hour Register	Undefined
BCDDATE	0x5700007C	R/W	BCD date Register	Undefined
BCDDAY	0x57000080	R/W	BCD day Register	Undefined
BCDMON	0x57000084	R/W	BCD month Register	Undefined
BCDYEAR	0x57000088	R/W	BCD year Register	Undefined
TICKCNT	0x57000090	R	Internal tick time counter register	0x0

1.5 INDIVIDUAL REGISTER DESCRIPTIONS

1.5.1 REAL TIME CLOCK CONTROL (RTCCON) REGISTER

The RTCCON register consists of 9 bits. It controls the read/write enable of the CLKSEL, CNTSEL and CLKRST for testing.

RTCEN bit can control all interfaces between the CPU and the RTC, Therefore it must be set to 1 in an RTC control routine to enable data read/write after a system reset. Before power off, the RTCEN bit is cleared to 0 to prevent inadvertent writing into BCD counter register.

CLKRST is counter reset for 2^{15} Clock divider.(reference to Figure 15-1)

Before RTC clock setting, 2^{15} Clock divider must be reset for exact RTC operation.

Register	Address	R/W	Description	Reset Value
RTCCON	0x57000040	R/W	RTC control register	0x00

RTCCON	Bit	Description	Initial State
TICsel2	[8:5]	Tick Time clock select2. 0 = clock period of 1/16384 second select 1 = clock period of 1/8192 second select 2 = clock period of 1/4096 second select 3 = clock period of 1/2048 second select 4 = clock period of 1/128 second select 5 = clock period of 1 second select 6 = clock period of 1/1024 second select 7 = clock period of 1/512 second select 8 = clock period of 1/256 second select 9 = clock period of 1/64 second select 10 = clock period of 1/32 second select 11 = clock period of 1/16 second select 12 = clock period of 1/8 second select 13 = clock period of 1/4 second select 14 = clock period of 1/2 second select	0x0
TICsel	[4]	Tick Time clock select1. 0 = Clock period select at TICsel2 1 = Clock period of 1/32768 second	0
CLKRST	[3]	RTC clock count reset. 0 = No reset 1 = Reset	0
CNTSEL	[2]	BCD count select. 0 = Merge BCD counters 1 = Reserved (Separate BCD counters)	0
CLKSEL	[1]	BCD clock select. 0 = XTAL 1/215 divided clock 1 = Reserved (XTAL clock only for test)	0
RTCEN	[0]	RTC control enable. 0 = Disable 1 = Enable Note: Only BCD time count and read operation can be performed.	0

1.5.2 Tick Time Count Register 0 (TICNT0)

The TICNT0 register determines tick interrupt enable and tick counter value

S3C2416 supports 32bits tic time counter.

So, from 14 to 8bits of 32bit tick time count value is selected at TICNT0 register (TICNT0[6:0]).

Lower 8bits of 15bit tick time count value is selected at TICNT1 register (TICNT1[7:0]).

Upper 17 bits of 32bit tick time count value is selected at TICNT2 register (TICNT0[16:0]).

NOTE

Tick time count value = (TICK TIME COUNT 0) $\times 2^8$ + (TICK TIME COUNT 1) + (TICK TIME COUNT2) $\times 2^{15}$

Register	Address	R/W	Description	Reset Value
TICNT0	0x57000044	R/W	Tick time count register	0x00

TICNT	Bit	Description	Initial State
TICK INT ENABLE	[7]	Tick time interrupt enable. 0 = Disable 1 = Enable	b'0
TICK TIME COUNT 0	[6:0]	[14:8] bits of 32 bit tick time count value	b'0

1.5.3 Tick Time Count Register 1 (TICNT1)

Register	Address	R/W	Description	Reset Value
TICNT1	0x5700004C	R/W	Tick time count register 1	0x00

TICNT1	Bit	Description	Initial State
TICK TIME COUNT 1	[7:0]	Lower 8 bits of 32bit tick time count value	b'000000

1.5.4 Tick Time Count Register 2 (TICNT2)

Register	Address	R/W	Description	Reset Value
TICNT2	0x57000048	R/W	Tick time count register 2	0x00

TICNT2	Bit	Description	Initial State
TICK TIME COUNT 2	[16:0]	High 17 bits of 32bit tick time count value	b'000000

1.5.5 RTC ALARM Control (RTCALM) Register

The RTCALM register determines the alarm enable and the alarm time. Note that the RTCALM register generates the alarm signal through both ALMINT and ALMWKUP as power mode.

For using ALMINT and ALMWKUP, ALMEN must be enable.

If compare value is year, ALMEN and YEAREN must be enable.

If compare values are year,mon,date,hour,min and sec, ALMEN, YEAREN, MONEN, DATEEN, HOUREN, MINEN and SECEN must be enable.

Register	Address	R/W	Description	Reset Value
RTCALM	0x57000050	R/W	RTC alarm control register	0x0

RTCALM	Bit	Description	Initial State
Reserved	[7]		0
ALMEN	[6]	Alarm global enable 0 = Disable, 1 = Enable Note: For using ALMINT and ALMWKUP, set ALMEN=1'b1	0
YEAREN	[5]	Year alarm enable 0 = Disable, 1 = Enable	0
MONEN	[4]	Month alarm enable 0 = Disable, 1 = Enable	0
DATEEN	[3]	Date alarm enable 0 = Disable, 1 = Enable	0
HOUREN	[2]	Hour alarm enable 0 = Disable, 1 = Enable	0
MINEN	[1]	Minute alarm enable 0 = Disable, 1 = Enable	0
SECEN	[0]	Second alarm enable 0 = Disable, 1 = Enable	0

1.5.6 ALARM Second Data (ALMSEC) Register

Register	Address	R/W	Description	Reset Value
ALMSEC	0x57000054	R/W	Alarm second data Register	0x0

ALMSEC	Bit	Description	Initial State
Reserved	[7]		0
SECDATA	[6:4]	BCD value for alarm second. 0 ~ 5	000
	[3:0]	0 ~ 9	0000

1.5.7 ALARM MIN Data (ALMMIN) Register

Register	Address	R/W	Description	Reset Value
ALMMIN	0x57000058	R/W	Alarm minute data Register	0x00

ALMMIN	Bit	Description	Initial State
Reserved	[7]		0
MINDATA	[6:4]	BCD value for alarm minute. 0 ~ 5	000
	[3:0]	0 ~ 9	0000

1.5.8 ALARM HOUR Data (ALMHOUR) Register

Register	Address	R/W	Description	Reset Value
ALMHOUR	0x5700005C	R/W	Alarm hour data Register	0x0

ALMHOUR	Bit	Description	Initial State
Reserved	[7:6]		00
HOURLDATA	[5:4]	BCD value for alarm hour. 0 ~ 2	00
	[3:0]	0 ~ 9	0000

1.5.9 ALARM DATE Data (ALMDATE) Register

Register	Address	R/W	Description	Reset Value
ALMDATE	0x57000060	R/W	Alarm day data Register	0x01

ALMDATE	Bit	Description	Initial State
Reserved	[7:6]		00
DATEDATA	[5:4]	BCD value for alarm date, from 0 to 28, 29, 30, 31. 0 ~ 3	00
	[3:0]	0 ~ 9	0001

1.5.10 ALARM MONTH Data (ALMMON) Register

Register	Address	R/W	Description	Reset Value
ALMMON	0x57000064	R/W	Alarm month data Register	0x01

ALMMON	Bit	Description	Initial State
Reserved	[7:5]		00
MONDATA	[4]	BCD value for alarm month. 0 ~ 1	0
	[3:0]	0 ~ 9	0001

1.5.11 ALARM YEAR Data (ALMYEAR) Register

Register	Address	R/W	Description	Reset Value
ALMYEAR	0x57000068	R/W	Alarm year data Register	0x0

ALMYEAR	Bit	Description	Initial State
YEARDATA	[7:4]	BCD value for year. 0~9	0x0
	[3:0]	0~9	0x0

1.5.12 BCD SECOND (BCDSEC) Register

Register	Address	R/W	Description	Reset Value
BCDSEC	0x57000070	R/W	BCD second Register	Undefined

BCDSEC	Bit	Description	Initial State
SECDATA	[6:4]	BCD value for second. 0 ~ 5	–
	[3:0]	0 ~ 9	–

1.5.13 BCD MINUTE (BCDMIN) Register

Register	Address	R/W	Description	Reset Value
BCDMIN	0x57000074	R/W	BCD minute Register	Undefined

BCDMIN	Bit	Description	Initial State
MINDATA	[6:4]	BCD value for minute. 0 ~ 5	–
	[3:0]	0 ~ 9	–

1.5.14 BCD HOUR(BCD HOUR) Register

Register	Address	R/W	Description	Reset Value
BCD HOUR	0x57000078	R/W	BCD hour Register	Undefined

BCD HOUR	Bit	Description	Initial State
Reserved	[7:6]		–
HOURDATA	[5:4]	BCD value for hour. 0 ~ 2	–
	[3:0]	0 ~ 9	–

1.5.15 BCD DATE (BCDDATE) Register

Register	Address	R/W	Description	Reset Value
BCDDATE	0x5700007C	R/W	BCD DATE Register	Undefined

BCDDAY	Bit	Description	Initial State
Reserved	[7:6]		–
DATEDATA	[5:4]	BCD value for date. 0 ~ 3	–
	[3:0]	0 ~ 9	–

1.5.16 BCD DAY (BCDDAY) Register

Register	Address	R/W	Description	Reset Value
BCDDAY	0x57000080	R/W	BCD DAY Register	Undefined

BCDDAY	Bit	Description	Initial State
Reserved	[7:3]		–
DAYDATA	[2:0]	BCD value for a day of the week. 1 ~ 7	–

1.5.17 BCD MONTH (BCDMON) Register

Register	Address	R/W	Description	Reset Value
BCDMON	0x57000084	R/W	BCD month Register	Undefined

BCDMON	Bit	Description	Initial State
Reserved	[7:5]		–
MONDATA	[4]	BCD value for month. 0 ~ 1	–
	[3:0]	0 ~ 9	–

1.5.18 BCD YEAR (BCDYEAR) Register

Register	Address	R/W	Description	Reset Value
BCDYEAR	0x57000088	R/W	BCD year Register	Undefined

BCDYEAR	Bit	Description	Initial State
YEARDATA	[7:4]	BCD value for year. 0~9	0x0
	[3:0]	0~9	0x0

NOTE: For setting BCD registers, RTCEN(RTCCON[0] bit) must be enable.
But at no setting BCD registers, RTCEN must be disable for reducing power consumption.

1.5.19 TICK Counter Register

Register	Address	R/W	Description	Reset Value
TICKCNT	0x57000090	R	Internal tick time counter register	0x00

TICKCNT	Bit	Description	Initial State
TICKCNT	[31:0]	Internal tick counter. Only readable 0 ~ 4294967295	0

NOTES

14 UART

1 OVERVIEW

The S3C2416 Universal Asynchronous Receiver and Transmitter (UART) provide four independent asynchronous serial I/O (SIO) ports, each of which can operate in Interrupt-based or DMA-based mode. The UART can support bit rates up to 3Mbps bps. Each UART channel contains two 64-byte FIFOs for receiver and transmitter.

The S3C2416 UART includes programmable baud rates, infrared (IR) transmit/receive, one or two stop bit insertion, 5-bit, 6-bit, 7-bit or 8-bit data width and parity checking.

Each UART contains a baud-rate generator, transmitter, receiver and a control unit, as shown in Figure 14-1. The baud-rate generator can be clocked by PCLK, EXTUARTCLK or divided EPLL clock. The transmitter and the receiver contain 64-byte FIFOs and data shifters. Data is written to FIFO and then copied to the transmit shifter before being transmitted. The data is then shifted out by the transmit data pin (TxDn). Meanwhile, received data is shifted from the receive data pin (RxDn), and then copied to FIFO from the shifter.

1.1 FEATURES

- RxD0, TxD0, RxD1, TxD1, RxD2, TxD2, RxD3 and TxD3 with DMA-based or interrupt-based operation
- UART Ch 0, 1, 2 and 3 with IrDA 1.0 & 64-byte FIFO
- UART Ch 0, 1 and 2 support Auto Flow Control with nRTS0, nCTS0, nRTS1, nCTS1, nRTS2 and nCTS2 signals
- Supports high-speed operation up to 3Mbps (in case of using EXTUARTCLK, divided EPLL clock)

2 BLOCK DIAGRAM

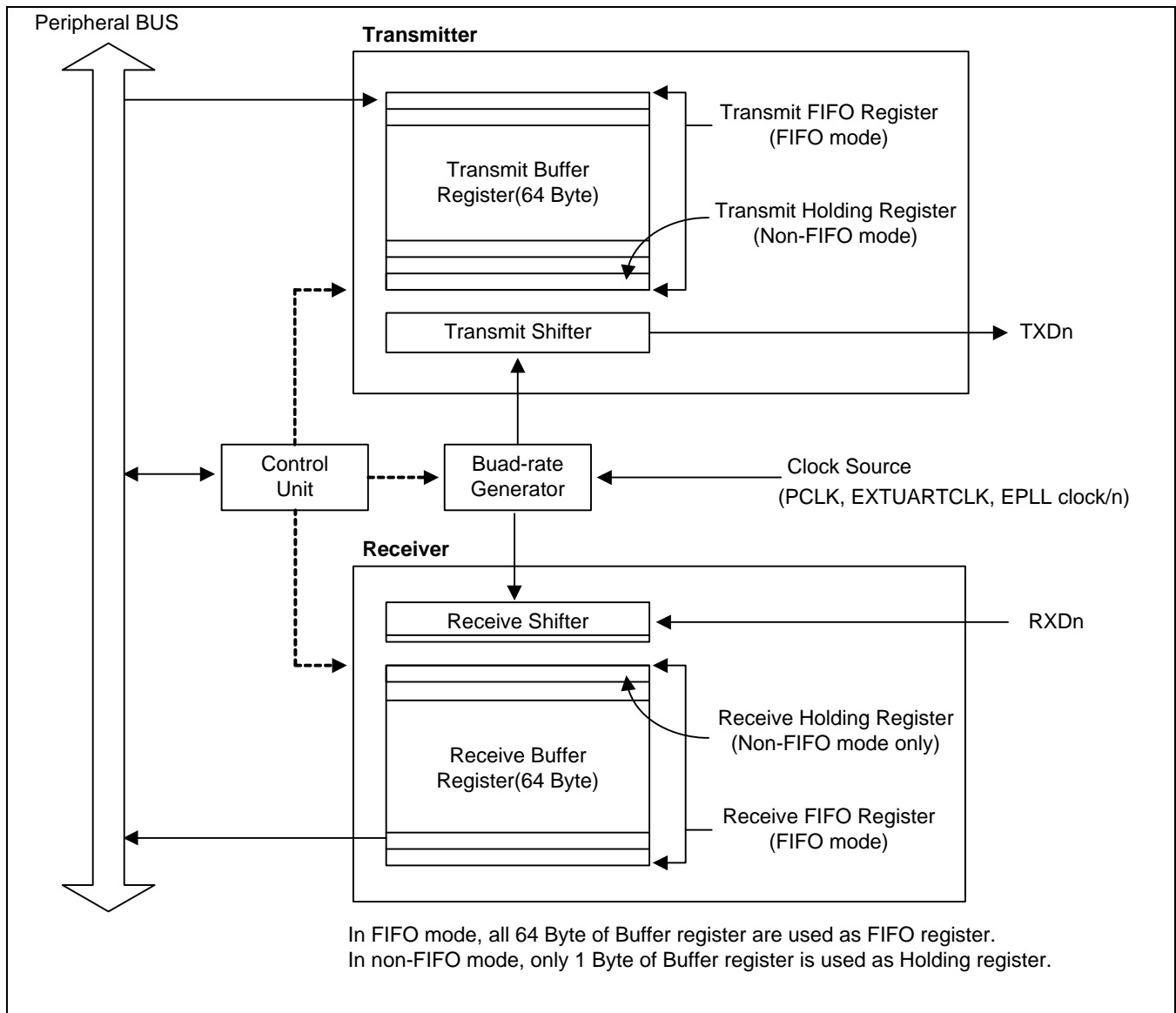


Figure 14-1. UART Block Diagram (with FIFO)

2.1 UART OPERATION

The following sections describe the UART operations that include data transmission, data reception, auto flow control, interrupt generation, Loopback mode, Infrared mode, and baud-rate generation.

2.1.1 Data Transmission

The data frame for transmission is programmable. It consists of a start bit, 5 to 8 data bits, an optional parity bit and 1 to 2 stop bits, which can be specified by the line control register (ULCONn). The transmitter can also produce the break condition, which forces the serial output to logic 0 state for one frame transmission time. This block transmits break signals after the present transmission word is transmitted completely. After the break signal transmission, it continuously transmits data into the Tx FIFO (Tx holding register in the case of Non-FIFO mode).

2.1.2 Data Reception

Like the transmission, the data frame for reception is also programmable. It consists of a start bit, 5 to 8 data bits, an optional parity bit and 1 to 2 stop bits in the line control register (ULCONn). The receiver can detect overrun error, parity error, frame error and break condition, each of which can set an error flag.

- The overrun error indicates that new data has overwritten the old data before the old data has been read.
- The parity error indicates that the receiver has detected an unexpected parity condition.
- The frame error indicates that the received data does not have a valid stop bit.
- The break condition indicates that the RxDn input is held in the logic 0 state for a duration longer than one frame transmission time.

Receive time-out condition occurs when it does not receive any data during the 3 word time (this interval follows the setting of Word Length bit) and the Rx FIFO is not empty in the FIFO mode.

2.1.3 Auto Flow Control (AFC)

UART 0, UART 1 and UART 2 support auto flow control with nRTS and nCTS signals. In AFC, nCTS signals control the operation of the transmitter, and nRTS depends on the condition of the receiver.

The UART's transmitter transfers the data in FIFO only when nCTS signals are activated(Low) (In AFC, nCTS means that other UART's FIFO is ready to receive data or not).

Before the UART receives data, nRTS signal has to be activated(Low) when its receive FIFO has a spare space more than 32-byte(FIFO contains less than 32-byte). And nRTS signal has to be inactivated(High) when its receive FIFO has a spare under 32-byte(FIFO contains equal or more than **32-byte**) in case of RTS trigger level is **32byte**. (In AFC, nRTS means that its own receive FIFO is ready to receive data or not).

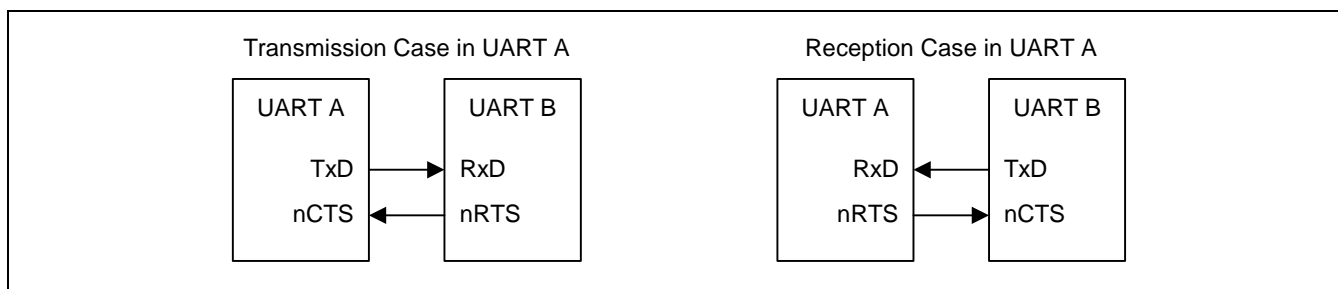


Figure 14-2. UART AFC Interface

NOTE

UART 3 does not support AFC function, because the S3C2416 has no nRTS 3 and nCTS 3. S3C2416's AFC does not support the RS-232C interface.

Table 14-1. Example of nRTS signal change by FIFO Spare size (In case of Reception Case in UART A)

RX side				TX side	
FIFO Contains	FIFO Spare Space	nRTS Signal	nRTS Meaning	nCTS Signal	nCTS Meaning
33 byte	31 byte	High	Not ready to receive	High	Don't send data to RX side
32 byte	32 byte	High	Not ready to receive	High	Don't send data to RX side
31 byte	33 byte	Low	Ready to Receive	Low	Send data to RX side
30 byte	34 byte	Low	Ready to Receive	Low	Send data to RX side

2.1.4 Non Auto-Flow Control (Controlling nRTS and nCTS by Software)

If users want to connect a UART to a Modem, disable auto flow control bit in UMCONn register and control the signal of nRTS by software.

Example:

Rx Operation with FIFO

1. Select receive mode (Interrupt or DMA mode).
2. Check the value of Rx FIFO count in UFSTATn register. If the value is less than 32, users have to set the value of UMCONn[0] to '1' (activating nRTS), and if it is equal or larger than 32 users have to set the value to '0' (inactivating nRTS).
3. Repeat the Step 2.

Tx Operation with FIFO

1. Select transmit mode (Interrupt or DMA mode).
2. Check the value of UMSTATn[0]. If the value is '1' (activating nCTS), users write the data to Tx FIFO register.
3. Repeat the Step 2.

2.1.5 RS-232C Interface

If the user wants to connect the UART to modem interface (instead of null modem), nRTS, nCTS, nDSR, nDTR, DCD and nRI signals are needed. In this case, the users can control these signals with general I/O ports by software because the AFC does not support the RS-232C interface.

2.1.6 Interrupt/DMA Request Generation

Each UART of the S3C2416 has seven status (Tx/Rx/Error) signals: Overrun error, Parity error, Frame error, Break, Receive buffer data ready, Transmit buffer empty, and Transmit shifter empty, all of which are indicated by the corresponding UART status register (UTRSTATn/UERSTATn).

The overrun error, parity error, frame error and break condition are referred to as the receive error status. Each of which can cause the receive error status interrupt request, if the receive-error-status-interrupt-enable bit is set to one in the control register, UCONn. When a receive-error-status-interrupt-request is detected, the signal causing the request can be identified by reading the value of UERSTSTn.

When the receiver transfers the data of the receive shifter to the receive FIFO register in FIFO mode and the number of received data reaches Rx FIFO Trigger Level, Rx interrupt is generated. If the Receive mode is in control register (UCONn) and is selected as 1 (Interrupt request or polling mode). In the Non-FIFO mode, transferring the data of the receive shifter to receive holding register will cause Rx interrupt under the Interrupt request and polling mode.

When the transmitter transfers data from its transmit FIFO register to its transmit shifter and the number of data left in transmit FIFO reaches Tx FIFO Trigger Level, Tx interrupt is generated, if Transmit mode in control register is selected as Interrupt request or polling mode. In the Non-FIFO mode, transferring data from the transmit holding register to the transmit shifter will cause Tx interrupt under the Interrupt request and polling mode.

Note that the Tx interrupt is always requested whenever the number of data in the transmit FIFO is smaller than the trigger level. This means that an interrupt is requested as soon as you enable the Tx interrupt unless you fill the Tx buffer prior to that. It is recommended to fill the Tx buffer first and then enable the Tx interrupt.

If the Receive mode and Transmit mode in control register are selected as the DMA request mode then DMA request occurs instead of Rx or Tx interrupt in the situation mentioned above.

Table 14-2. Interrupts in Connection with FIFO

Type	FIFO Mode	Non-FIFO Mode
Rx Interrupt	Generated whenever receive data reaches the trigger level of receive FIFO. Generated when the number of data in FIFO does not reaches Rx FIFO trigger Level and does not receive any data during 3 words time (receive time out). This interval follows the setting of Word Length bit.	Generated by the receiving holding register whenever receive buffer becomes full.
Tx Interrupt	Generated whenever transmit data reaches the trigger level of transmit FIFO (Tx FIFO trigger Level).	Generated by the transmitting holding register whenever transmit buffer becomes empty.
Error Interrupt	Generated when frame error, parity error, or break signal are detected. Generated when it gets to the top of the receive FIFO without reading out data in it (overrun error).	Generated by all errors. However if another error occurs at the same time, only one interrupt is generated.

2.1.7 UART Error Status FIFO

UART has the error status FIFO besides the Rx FIFO register. The error status FIFO indicates which data, among FIFO registers, is received with an error. The error interrupt will be issued only when the data, which has an error, is ready to read out. To clear the error status FIFO, the URXHn with an error and UERSTATn must be read out.

For example,

It is assumed that the UART Rx FIFO receives A, B, C, D and E characters sequentially and the frame error occurs while receiving 'B', and the parity error occurs while receiving 'D'.

The actual UART receive error will not generate any error interrupt because the character which is received with an error would have not been read. The error interrupt will occur once the character is read.

Figure 14-3 shows the UART receiving the five characters including the two errors.

Time	Sequence Flow	Error Interrupt	Note
#0	When no character is read out	-	
#1	A, B, C, D, and E is received	-	
#2	After A is read out	The frame error (in B) interrupt occurs.	The 'B' has to be read out.
#3	After B is read out	-	
#4	After C is read out	The parity error (in D) interrupt occurs.	The 'D' has to be read out.
#5	After D is read out	-	
#6	After E is read out	-	

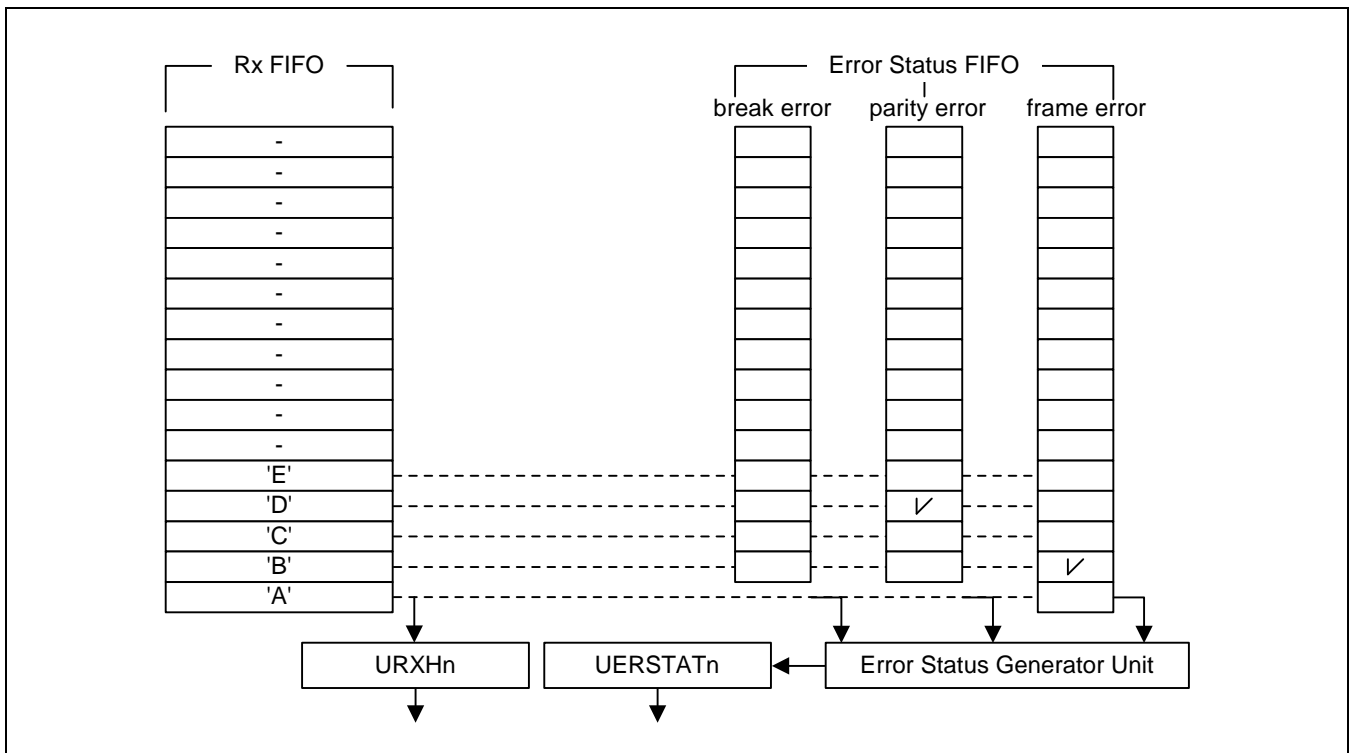


Figure 14-3. Example showing UART Receiving 5 Characters with 2 Errors

2.1.8 Loopback Mode

The S3C2416 UART provides a test mode referred to as the Loopback mode, to aid in isolating faults in the communication link. This mode structurally enables the connection of RXD and TXD in the UART. In this mode, therefore, transmitted data is received to the receiver, via RXD. This feature allows the processor to verify the internal transmit and to receive the data path of each SIO channel. This mode can be selected by setting the loopback bit in the UART control register (UCONn).

2.1.9 Infrared (IR) Mode

The S3C2416 UART block supports infrared (IR) transmission and reception, which can be selected by setting the Infrared-mode bit in the UART line control register (ULCONn). Figure 14-4 illustrates how to implement the IR mode.

In IR transmit mode, the transmit pulse comes out at a rate of 3/16, the normal serial transmit rate (when the transmit data bit is zero); In IR receive mode, the receiver must detect the 3/16 pulsed period to recognize a zero value (see the frame timing diagrams shown Figure 14-6 and Figure 14-7).

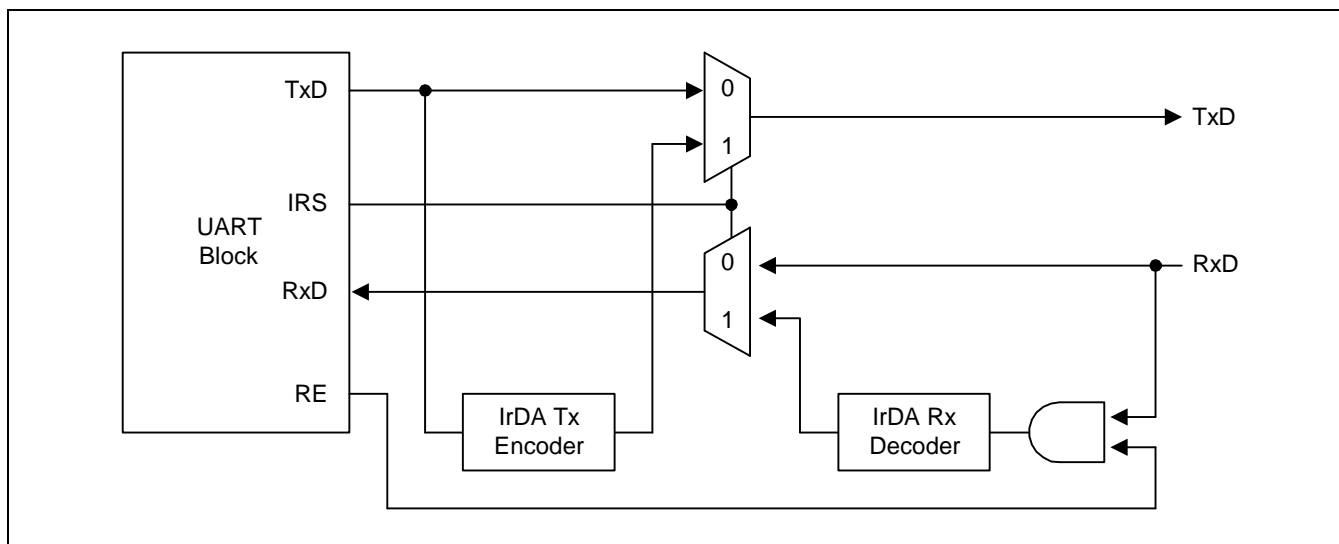


Figure 14-4. IrDA Function Block Diagram

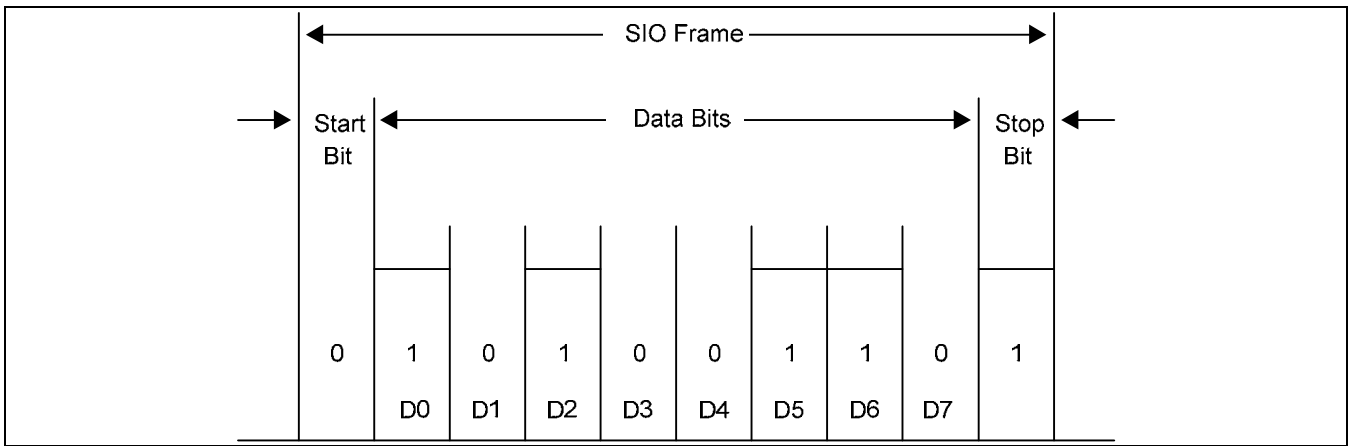


Figure 14-5. Serial I/O Frame Timing Diagram (Normal UART)

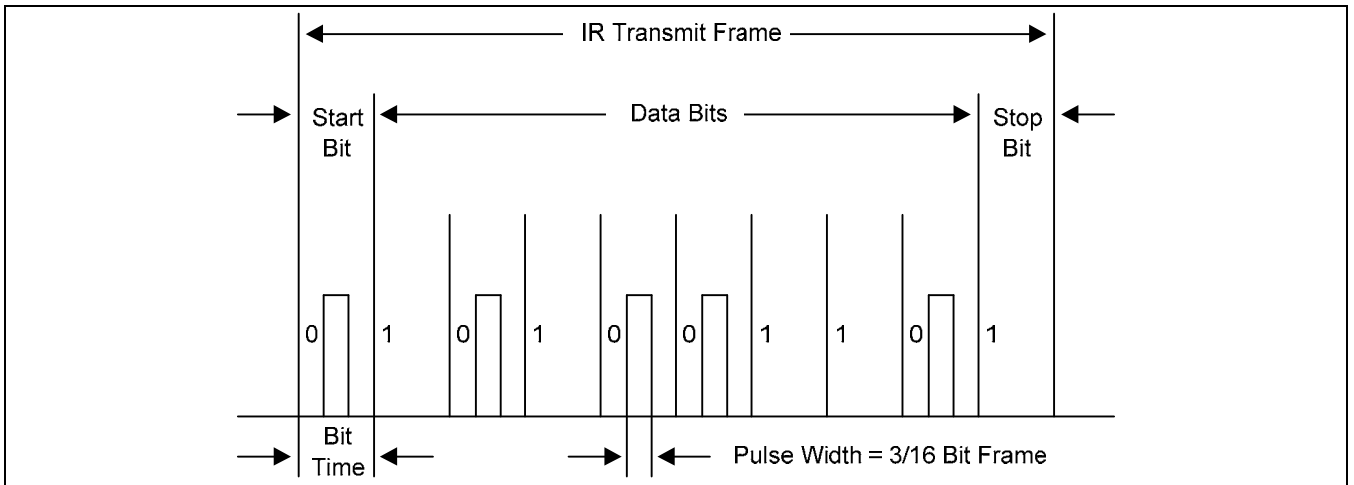


Figure 14-6. Infrared Transmit Mode Frame Timing Diagram

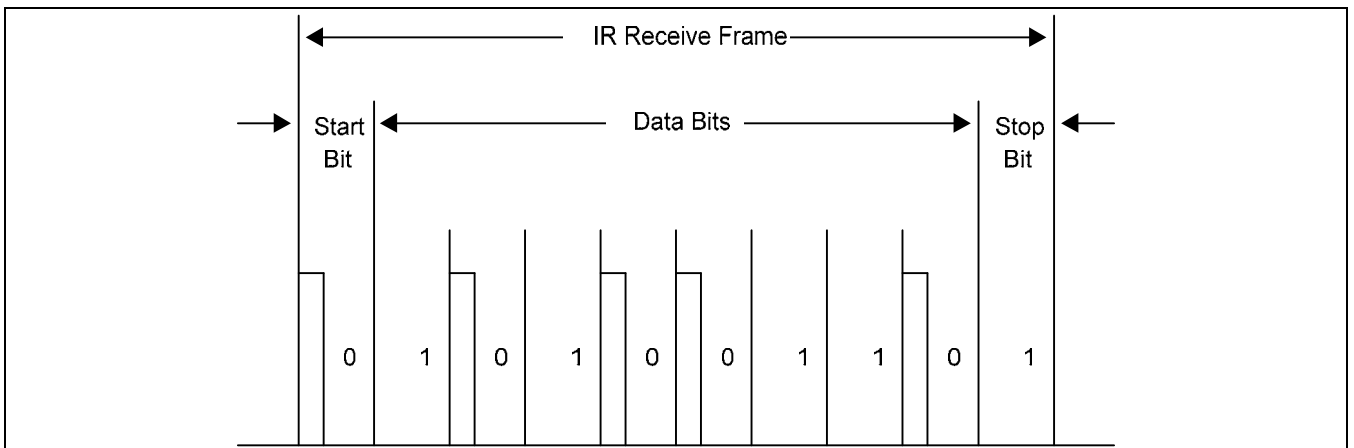


Figure 14-7. Infrared Receive Mode Frame Timing Diagram

2.1.10 Baud-rate Generation

Each UART's baud-rate generator provides the serial clock for the transmitter and the receiver. The source clock for the baud-rate generator can be selected with the S3C2416's internal system clock(PCLK or divided EPLL clock) or EXTUARTCLK. UARTCLK (Clock frequencies of 16 times the baud rate) are used for sampling serial data to minimize error. UARTCLK is generated by dividing the source clock. The baud-rate clock is generated by dividing the UARTCLK by 16.

The value stored in the baud rate divisor register (UBRDIVn) and dividing slot register(UDIVSLOTn), are used to determine the serial Tx/Rx clock rate (baud rate) as follows:

$$\begin{aligned} \text{DIV_VAL} &= (\text{SRCCLK} / \text{UARTCLK}) - 1 \\ &= \{ \text{SRCCLK} / (\text{baud rate} \times 16) \} - 1 \\ &= \text{UBRDIVn} + (\text{num of 1's in UDIVSLOTn})/16 \\ &\quad (\text{SRCCLK : PCLK, EXTUARTCLK or divided EPLL clock}) \end{aligned}$$

Where, Integer part of DIV_VAL should be from 1 to ($2^{16}-1$), but can be set zero when SRCCLK is EXTUARTCLK or divided EPLL clock. (Please refer the Figure 14-3 by this effect)

Using UDIVSLOT which is the factor of floating point divisor, you can make more accurate baud rate. (when UBRDIVn is 0, floating part will not be affected.)

For example, if the baud rate is 115200 bps and SRCCLK is 40 MHz, UBRDIVn and UDIVSLOTn are :

$$\begin{aligned} \text{DIV_VAL} &= \{ 40000000 / (115200 \times 16) \} - 1 \\ &= 21.7 - 1 \quad (\text{actual dividing value is 21.7}) \\ &= 20.7 \quad (\text{for register setting, 20.7 is needed here}) \end{aligned}$$

* UBRDIVn = 20 (integer part of DIV_VAL)

$$\begin{aligned} (\text{num of 1's in UDIVSLOTn})/16 &= 0.7 \\ (\text{num of 1's in UDIVSLOTn}) &= 11 \end{aligned}$$

* UDIVSLOTn = 0xEEEA(1110_1110_1110_1010b), 0xDDD5(1101_1101_1101_1010b) or etc.
(floating point part of DIV_VAL)

As a result, DIV_VAL = 20.6875

We recommend to select UDIVSLOTn in the Table 14-4 (at 23 page). For convenience, summary of Table is presented below.

Floating point part	Num of 1's	UDIVSLOTn	Floating point part	Num of 1's	UDIVSLOTn
0	0	0x0000	0.5	8	0x5555
0.0625	1	0x0080	0.5625	9	0xD555
0.125	2	0x0808	0.625	10	0xD5D5
0.1875	3	0x0888	0.6875	11	0xDDD5
0.25	4	0x2222	0.75	12	0xDDDD
0.3125	5	0x4924	0.8125	13	0xDFDD
0.375	6	0x4A52	0.875	14	0xDFDF
0.4375	7	0x54AA	0.9375	15	0xFFDF

2.1.11 Baud-Rate Error Tolerance

UART Frame error should be less than 1.87%(3/160).

$$\begin{aligned} \text{UART Frame error} &= \{ |\text{Real Frame Length} - \text{Ideal Frame Length}| / \text{Ideal Frame Length} \} \times 100\% \\ &= \{ |\text{Ideal baudrate} - \text{Real baudrate}| / \text{Real baudrate} \} \times 100\% \end{aligned}$$

$$\begin{aligned} \text{Real Frame Length} &= 1 \text{ Frame} / \text{Real UART baudrate} = 1 \text{ Frame} \times (\text{DIV_VAL}+1) \times 16 / \text{SRCCLK} \\ \text{Where Real UART baudrate} &= \{ \text{SRCCLK} / (\text{DIV_VAL}+1) \} / 16 \end{aligned}$$

$$\text{Ideal Frame Length} = 1 \text{ Frame} / \text{Ideal UART baudrate}$$

NOTE

1Frame = start bit + data bit + parity bit + stop bit.

2.1.12 UART Clock and PCLK Relation

The frequency of UARTCLK(Clock of 16 times baud-rate) must be no more than 5.5/3 times faster than the frequency of PCLK :

$$F_{\text{UARTCLK}} \leq 5.5/3 \times F_{\text{PCLK}} \qquad F_{\text{UARTCLK}} = \text{baudrate} \times 16$$

This allows sufficient time to write the received data to the receive FIFO

Parameter	Symbol	Min	Typ	Max	Unit
PCLK speed for UART operating (Baudrate is 1Mbps)	F_{PCLK}	8.72	–	–	MHz
PCLK speed for UART operating (Baudrate is 2Mbps)	F_{PCLK}	17.45	–	–	MHz
PCLK speed for UART operating (Baudrate is 3Mbps)	F_{PCLK}	26.18	–	–	MHz

2.1.13 UART Clock speed/UART Clock selection guide for 3Mbps

For using 3Mbps, EPLL should be either 48MHz or 96MHz. Or EXTUARTCLK should be 48MHz.

Table 14-3. Clock, EPLL Speed Guide

Parameter	Min	Typ	Max	Unit
UART source clock(divided EPLL clock)	–	–	50	MHz
EPLL clock for divided EPLL clock(by UARTDIV of CLKDIV1, refer Figure 2-9)	–	–	100	MHz
EPLL clock(UART source clock is divided EPLL) (3Mbps)	–	48, 96	–	MHz
EXTUARTCLK (UART source clock is EXTUARTCLK)	–	48		MHz
Baudrate (UART source clock is EXTUARTCLK, divided EPLL clock)	–		3,000,000	bps

When SRCCLK is PCLK, Integer part of DIV_VAL should be equal or larger than 1(divide SRCCLK by 2). Hence maximum baudrate is limited. (2.0625Mbps at typical PCLK 66MHz)

3 UART SPECIAL REGISTERS

3.1 UART LINE CONTROL REGISTER

There are four UART line control registers including ULCON0, ULCON1, ULCON2 and ULCON3 in the UART block.

Register	Address	R/W	Description	Reset Value
ULCON0	0x50000000	R/W	UART channel 0 line control register	0x00
ULCON1	0x50004000	R/W	UART channel 1 line control register	0x00
ULCON2	0x50008000	R/W	UART channel 2 line control register	0x00
ULCON3	0x5000C000	R/W	UART channel 3 line control register	0x00

ULCONn	Bit	Description	Initial State
Reserved	[7]	–	0
Infrared Mode	[6]	Determine whether or not to use the Infrared mode. 0 = Normal mode operation 1 = Infrared Tx/Rx mode	0
Parity Mode	[5:3]	Specify the type of parity generation and checking during UART transmit and receive operation. 0xx = No parity 100 = Odd parity 101 = Even parity 110 = Parity forced/checked as 1 111 = Parity forced/checked as 0	000
Number of Stop Bit	[2]	Specify how many stop bits are to be used for end-of-frame signal. 0 = One stop bit per frame 1 = Two stop bit per frame	0
Word Length	[1:0]	Indicate the number of data bits to be transmitted or received per frame. 00 = 5-bits 01 = 6-bits 10 = 7-bits 11 = 8-bits	00

3.2 UART CONTROL REGISTER

There are four UART control registers including UCON0, UCON1, UCON2 and UCON3 in the UART block.

Register	Address	R/W	Description	Reset Value
UCON0	0x50000004	R/W	UART channel 0 control register	0x00
UCON1	0x50004004	R/W	UART channel 1 control register	0x00
UCON2	0x50008004	R/W	UART channel 2 control register	0x00
UCON3	0x5000C004	R/W	UART channel 3 control register	0x00

UCONn	Bit	Description	Initial State
Clock Selection	[11:10]	Select PCLK, EXTUARTCLK(External UART clock) or divided EPLL clock for source clock of the UART. (note 5) 00, 10 (note 1) = PCLK 01 = EXTUARTCLK 11 = Divided EPLL clock (Refer to the Clock divider control register1 (CLKDIV1) in the system controller).	0
Tx Interrupt Type	[9]	Interrupt request type. 0 = Pulse (Interrupt is requested as soon as the Tx buffer becomes empty in Non-FIFO mode or reaches Tx FIFO Trigger Level in FIFO mode.)	0
Rx Interrupt Type	[8]	Interrupt request type. 0 = Pulse (Interrupt is requested the instant Rx buffer receives the data in Non-FIFO mode or reaches Rx FIFO Trigger Level in FIFO mode.)	0
Rx Time Out Enable	[7]	Enable/Disable Rx time out interrupt when UART FIFO is enabled. The interrupt is a receive interrupt. (note 2) 0 = Disable 1 = Enable	0
Rx Error Status Interrupt Enable	[6]	Enable the UART to generate an interrupt upon an exception, such as a break, frame error, parity error, or overrun error during a receive operation. 0 = Do not generate receive error status interrupt. 1 = Generate receive error status interrupt.	0
Loopback Mode	[5]	Setting loopback bit to 1 causes the UART to enter the loopback mode. This mode is provided for test purposes only. 0 = Normal operation 1 = Loopback mode	0
Send break signal	[4]	Setting this bit causes the UART to send a break during 1 frame time. This bit is auto-cleared after sending the break signal 0 = Normal transmit 1 = Send break signal	0

UCONn	Bit	Description	Initial State
Transmit Mode (note 3)	[3:2]	Determine which function is currently able to write Tx data to the UART transmit buffer register. 00 = Disable 01 = Interrupt request (note 6) or polling mode 10 = DMA request(request signal 0) 11 = DMA request(request signal 1)	00
Receive Mode	[1:0]	Determine which function is currently able to read data from UART receive buffer register. 00 = Disable (note 4) 01 = Interrupt request or polling mode 10 = DMA request(request signal 0) 11 = DMA request(request signal 1)	00

NOTES:

- When you want to change EXTUARTCLK to PCLK for UART baudrate, clock selection field must be set to 2'b10.
- When the UART does not reach the FIFO trigger level and does not receive data during 3 words time in Interrupt receive mode with FIFO, the Rx interrupt will be generated (receive time out), and the users should check the FIFO status and read out the rest.
- If Tx DMA request signal were 0, Rx DMA request signal should be 1. They can't share request signal 0 or 1 in common. (UCONn[3:2], UCONn[1:0]) = ("10b", "11b") or ("11b", "10b")
- When Receive mode is enabled, changing of GPIO status affect to RXD line(example : GPIO RXD ->GPIO input -> GPIO RXD), dummy data can be read at RX FIFO.
Recommended steps are follows.
 - Disable Receive Mode
 - Set GPIO as UART mode.
 - RX FIFO reset.
 - Interrupt unmask(enable) if needed
 - Enable Receive Mode(Set Receive Mode to Interrupt/DMA request or polling mode)
- In the middle of operation, changing source clock selection or speed of source clock is prohibited. These must be done after finishing transmission/receiving
- Mask bit of INTMSK(Interrupt Mask Register) should be 0 (unmask) before enabling Transmit mode as Interrupt request mode.

3.3 UART FIFO CONTROL REGISTER

There are four UART FIFO control registers including UFCON0, UFCON1, UFCON2 and UFCON3 in the UART block.

Register	Address	R/W	Description	Reset Value
UFCON0	0x50000008	R/W	UART channel 0 FIFO control register	0x0
UFCON1	0x50004008	R/W	UART channel 1 FIFO control register	0x0
UFCON2	0x50008008	R/W	UART channel 2 FIFO control register	0x0
UFCON3	0x5000C008	R/W	UART channel 3 FIFO control register	0x0

UFCONn	Bit	Description	Initial State
Tx FIFO Trigger Level (note 2)	[7:6]	Determine the trigger level of transmit FIFO. 00 = Empty 01 = 16-byte 10 = 32-byte 11 = 48-byte	00
Rx FIFO Trigger Level (note 2)	[5:4]	Determine the trigger level of receive FIFO. 00 = 1-byte 01 = 8-byte 10 = 16-byte 11 = 32-byte	00
Reserved	[3]	–	0
Tx FIFO Reset	[2]	Auto-cleared after resetting FIFO 0 = Normal 1 = Tx FIFO reset	0
Rx FIFO Reset	[1]	Auto-cleared after resetting FIFO 0 = Normal 1 = Rx FIFO reset	0
FIFO Enable (note 2)	[0]	0 = Disable (note 1) 1 = Enable	0

NOTES:

- At DMA mode, FIFO Enable should be Disabled.
- Please refer the following recommendation for Interrupt / DMA mode.

Mode	FIFO enable	TX FIFO Trigger level	RX FIFO Trigger level	RX time out enable
Interrupt mode	Enable (FIFO mode)	16~48byte	8~32byte	enable
DMA mode	Disable (Non-FIFO mode)	n/a	n/a	n/a

3.4 UART MODEM CONTROL REGISTER

There are three UART MODEM control registers including UMCON0 and UMCON1 in the UART block.

Register	Address	R/W	Description	Reset Value
UMCON0	0x5000000C	R/W	UART channel 0 Modem control register	0x0
UMCON1	0x5000400C	R/W	UART channel 1 Modem control register	0x0
UMCON2	0x5000800C	R/W	UART channel 2 Modem control register	0x0

UMCONn	Bit	Description	Initial State
RTS trigger Level	[7:5]	When AFC bit is enabled, these bits determine when to inactivate (High) nRTS signal. 000 = When RX FIFO contains 63 bytes. 001 = When RX FIFO contains 56 bytes. 010 = When RX FIFO contains 48 bytes. 011 = When RX FIFO contains 40 bytes. 100 = When RX FIFO contains 32 bytes. 101 = When RX FIFO contains 24 bytes. 110 = When RX FIFO contains 16 bytes. 111 = When RX FIFO contains 8 bytes.	000
Auto Flow Control (AFC)	[4]	0 = Disable 1 = Enable	0
Reserved	[3:1]	These bits must be 0's	00
Request to Send	[0]	If AFC bit is enabled, this value will be ignored. In this case the S3C2416 will control nRTS automatically. If AFC bit is disabled, nRTS must be controlled by software. 0 = 'H' level (Inactivate nRTS) 1 = 'L' level (Activate nRTS)	0

NOTES:

1. UART 3 does not support AFC function, because the S3C2416 has no nRTS3 and nCTS3.
2. If AFC bit is enabled and Time-out bit is disabled, RTS trigger level must be larger than Rx FIFO trigger level.
3. Example) RX interrupt mode, RTS trigger level b101(**24byte**), RX FIFO trigger level b10(**16byte**).

This example shows RX FIFO always contains equal or less than 24 bytes.
(have space equal or larger than 40bytes.)

FIFO contains	FIFO Spare space	nRTS signal	Interrupt	Note
24 byte	40 byte	High	-	RTS trigger Level
23 byte	41 byte	Low	-	
...	...	Low	-	
17 byte	47 byte	Low	-	
16 byte	48 byte	Low	Occur	RX FIFO trigger Level
15 byte	49 byte	Low	-	

3.5 UART TX/RX STATUS REGISTER

There are four UART Tx/Rx status registers including UTRSTAT0, UTRSTAT1, UTRSTAT2 and UTRSTAT3 in the UART block.

Register	Address	R/W	Description	Reset Value
UTRSTAT0	0x50000010	R	UART channel 0 Tx/Rx status register	0x6
UTRSTAT1	0x50004010	R	UART channel 1 Tx/Rx status register	0x6
UTRSTAT2	0x50008010	R	UART channel 2 Tx/Rx status register	0x6
UTRSTAT3	0x5000C010	R	UART channel 3 Tx/Rx status register	0x6

UTRSTATn	Bit	Description	Initial State
Transmitter empty	[2]	Set to 1 automatically when the transmit buffer register has no valid data to transmit and the transmit shift register is empty. 0 = Not empty 1 = Transmitter (transmit buffer & shifter register) empty	1
Transmit buffer empty	[1]	Set to 1 automatically when transmit buffer register is empty. 0 = The buffer register is not empty 1 = Empty (In Non-FIFO mode, Interrupt or DMA is requested. In FIFO mode, Interrupt or DMA is requested, when Tx FIFO Trigger Level is set to 00 (Empty)) If the UART uses the FIFO, users should check Tx FIFO Count bits and Tx FIFO Full bit in the UFSTAT register instead of this bit.	1
Receive buffer data ready	[0]	Set to 1 automatically whenever receive buffer register contains valid data, received over the RXDn port. 0 = Empty 1 = The buffer register has a received data (In Non-FIFO mode, Interrupt or DMA is requested) If the UART uses the FIFO, users should check Rx FIFO Count bits and Rx FIFO Full bit in the UFSTAT register instead of this bit.	0

3.6 UART ERROR STATUS REGISTER

There are four UART Rx error status registers including UERSTAT0, UERSTAT1, UERSTAT2 and UERSTAT3 in the UART block.

Register	Address	R/W	Description	Reset Value
UERSTAT0	0x50000014	R	UART channel 0 Rx error status register	0x0
UERSTAT1	0x50004014	R	UART channel 1 Rx error status register	0x0
UERSTAT2	0x50008014	R	UART channel 2 Rx error status register	0x0
UERSTAT3	0x5000C014	R	UART channel 3 Rx error status register	0x0

UERSTATn	Bit	Description	Initial State
Break Detect	[3]	Set to 1 automatically to indicate that a break signal has been received. 0 = No break receive 1 = Break receive (Interrupt is requested.)	0
Frame Error	[2]	Set to 1 automatically whenever a frame error occurs during receive operation. 0 = No frame error during receive 1 = Frame error (Interrupt is requested.)	0
Parity Error	[1]	Set to 1 automatically whenever a parity error occurs during receive operation. 0 = No parity error during receive 1 = Parity error (Interrupt is requested.)	0
Overrun Error	[0]	Set to 1 automatically whenever an overrun error occurs during receive operation. 0 = No overrun error during receive 1 = Overrun error (Interrupt is requested.)	0

NOTE: These bits (UERSTATn[3:0]) are automatically cleared to 0 when the UART error status register is read.

3.7 UART FIFO STATUS REGISTER

There are four UART FIFO status registers including UFSTAT0, UFSTAT1 UFSTAT2 and UFSTAT3 in the UART block.

Register	Address	R/W	Description	Reset Value
UFSTAT0	0x50000018	R	UART channel 0 FIFO status register	0x00
UFSTAT1	0x50004018	R	UART channel 1 FIFO status register	0x00
UFSTAT2	0x50008018	R	UART channel 2 FIFO status register	0x00
UFSTAT3	0x5000C018	R	UART channel 3 FIFO status register	0x00

UFSTATn	Bit	Description	Initial State
Reserved	[15]	–	0
Tx FIFO Full	[14]	Set to 1 automatically whenever transmit FIFO is full during transmit operation 0 = 0-byte ≤ Tx FIFO data ≤ 63-byte 1 = Full	0
Tx FIFO Count	[13:8]	Number of data in Tx FIFO	0
Reserved	[7]	–	0
Rx FIFO Full	[6]	Set to 1 automatically whenever receive FIFO is full during receive operation 0 = 0-byte ≤ Rx FIFO data ≤ 63-byte 1 = Full	0
Rx FIFO Count	[5:0]	Number of data in Rx FIFO	0

3.8 UART MODEM STATUS REGISTER

There are three UART modem status registers including UMSTAT0, UMSTAT1 in the UART block.

Register	Address	R/W	Description	Reset Value
UMSTAT0	0x5000001C	R	UART channel 0 modem status register	0x0
UMSTAT1	0x5000401C	R	UART channel 1 modem status register	0x0
UMSTAT2	0x5000801C	R	UART channel 2 modem status register	0x0

UMSTAT0	Bit	Description	Initial State
Delta CTS	[4]	Indicate that the nCTS input to the S3C2416 has changed state since the last time it was read by CPU. (Refer to Figure 14-8.) 0 = Has not changed 1 = Has changed	0
Reserved	[3:1]	–	0
Clear to Send	[0]	0 = CTS signal is not activated (nCTS pin is high) 1 = CTS signal is activated (nCTS pin is low)	0

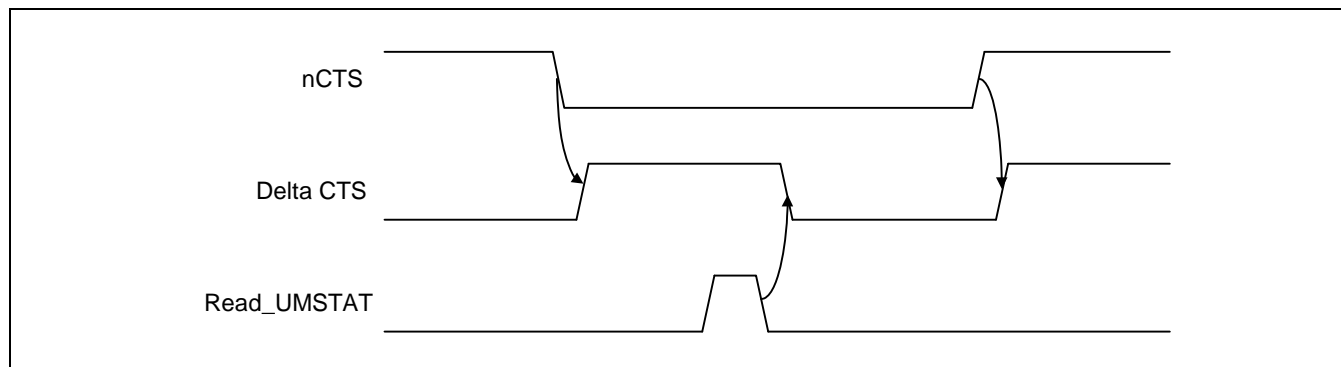


Figure 14-8. nCTS and Delta CTS Timing Diagram

3.9 UART TRANSMIT BUFFER REGISTER (HOLDING REGISTER & FIFO REGISTER)

There are four UART transmit buffer registers including UTXH0, UTXH1, UTXH2 and UTXH3 in the UART block. UTXHn has an 8-bit data for transmission data.

Register	Address	R/W	Description	Reset Value
UTXH0	0x50000020	W (by byte)	UART channel 0 transmit buffer register	–
UTXH1	0x50004020	W (by byte)	UART channel 1 transmit buffer register	–
UTXH2	0x50008020	W (by byte)	UART channel 2 transmit buffer register	–
UTXH3	0x5000C020	W (by byte)	UART channel 3 transmit buffer register	–

UTXHn	Bit	Description	Initial State
TXDATA _n	[7:0]	Transmit data for UART _n	–

3.10 UART RECEIVE BUFFER REGISTER (HOLDING REGISTER & FIFO REGISTER)

There are four UART receive buffer registers including URXH0, URXH1, URXH2 and URXH3 in the UART block. URXHn has an 8-bit data for received data.

Register	Address	R/W	Description	Reset Value
URXH0	0x50000024	R (by byte)	UART channel 0 receive buffer register	–
URXH1	0x50004024	R (by byte)	UART channel 1 receive buffer register	–
URXH2	0x50008024	R (by byte)	UART channel 2 receive buffer register	–
URXH3	0x5000C024	R (by byte)	UART channel 3 receive buffer register	–

URXHn	Bit	Description	Initial State
RXDATA _n	[7:0]	Receive data for UART _n	–

NOTE: When an overrun error occurs, the URXHn must be read. If not, the next received data will also make an overrun error, even though the overrun bit of UERSTAT_n had been cleared.

3.11 UART BAUD RATE DIVISOR REGISTER

There are four UART baud rate divisor registers including UBRDIV0, UBRDIV1, UBRDIV2 and UBRDIV3 in the UART block.

Register	Address	R/W	Description	Reset Value
UBRDIV0	0x50000028	R/W	Baud rate divisor(integer place) register 0	–
UBRDIV1	0x50004028	R/W	Baud rate divisor(integer place) register 1	–
UBRDIV2	0x50008028	R/W	Baud rate divisor(integer place) register 2	–
UBRDIV3	0x5000C028	R/W	Baud rate divisor(integer place) register 3	–

UBRDIVn	Bit	Description	Initial State
UBRDIV	[15:0]	Baud rate division value of integer part (When UART clock source is PCLK, UBRDIVn must be more than 0 (UBRDIVn >0))	–

NOTE: If UBRDIV value is 0, UART baudrate is not affected by UDIVSLOT value.

3.12 UART DIVIDING SLOT REGISTER

There are four UART dividing slot registers including UDIVSLOT0, UDIVSLOT 1, UDIVSLOT 2 and UDIVSLOT in the UART block.

Register	Address	R/W	Description	Reset Value
UDIVSLOT0	0x5000002C	R/W	Baud rate divisor(decimal place) register 0	0x0000
UDIVSLOT1	0x5000402C	R/W	Baud rate divisor(decimal place) register 1	0x0000
UDIVSLOT2	0x5000802C	R/W	Baud rate divisor(decimal place) register 2	0x0000
UDIVSLOT3	0x5000C02C	R/W	Baud rate divisor(decimal place) register 3	0x0000

UDIVSLOTn	Bit	Description	Initial State
UDIVSLOT	[15:0]	Select the slot number in Table 14-4	–

Table 14-4. Recommended Value Table of DIVSLOTn Register

Floating point part	Num of 1's	UDIVSLOTn
0	0	0x0000(0000_0000_0000_0000b)
0.0625	1	0x0080(0000_0000_0000_1000b)
0.125	2	0x0808(0000_1000_0000_1000b)
0.1875	3	0x0888(0000_1000_1000_1000b)
0.25	4	0x2222(0010_0010_0010_0010b)
0.3125	5	0x4924(0100_1001_0010_0100b)
0.375	6	0x4A52(0100_1010_0101_0010b)
0.4375	7	0x54AA(0101_0100_1010_1010b)
0.5	8	0x5555(0101_0101_0101_0101b)
0.5625	9	0xD555(1101_0101_0101_0101b)
0.625	10	0xD5D5(1101_0101_1101_0101b)
0.6875	11	0xDDD5(1101_1101_1101_0101b)
0.75	12	0xDDDD(1101_1101_1101_1101b)
0.8125	13	0xDFDD(1101_1111_1101_1101b)
0.875	14	0xDFDF(1101_1111_1101_1111b)
0.9375	15	0xFFDF(1111_1111_1101_1111b)

NOTES

15 USB HOST CONTROLLER

1 OVERVIEW

S3C2416 supports 2-port USB host interface as follows:

- OHCI Rev 1.0 compatible
- USB Rev1.1 compatible
- Two down stream ports
- Support for both LowSpeed and FullSpeed USB devices

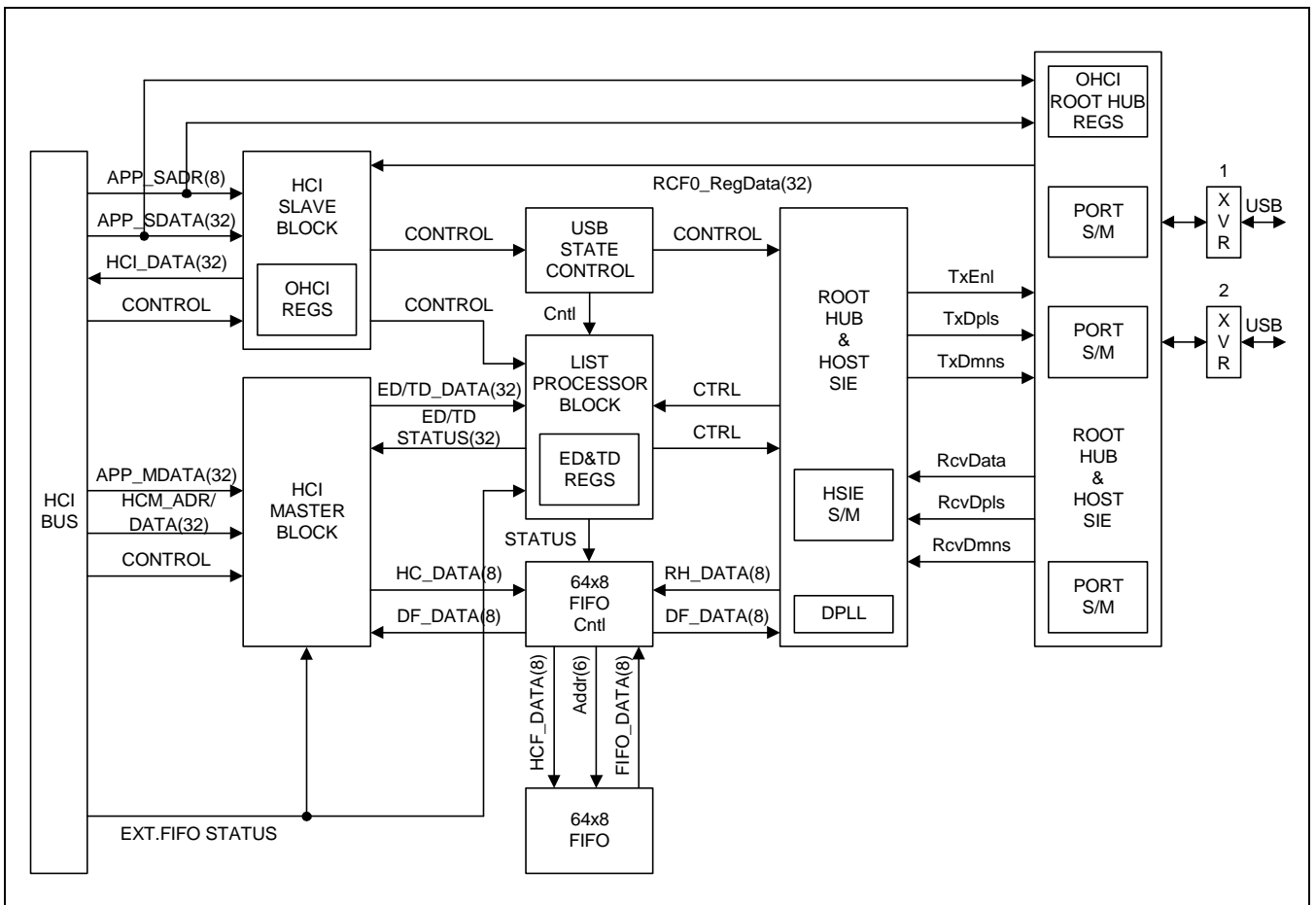


Figure 15-1. USB Host Controller Block Diagram

1.1 USB HOST CONTROLLER SPECIAL REGISTERS

The S3C2416 USB host controller complies with OHCI Rev 1.0. Refer to Open Host Controller Interface Rev 1.0 specification for detail information.

Table 15-1. OHCI Registers for USB Host Controller

Register	Base Address	R/W	Description	Reset Value
HcRevision	0x49000000	–	Control and status group	–
HcControl	0x49000004	–		–
HcCommonStatus	0x49000008	–		–
HcInterruptStatus	0x4900000C	–		–
HcInterruptEnable	0x49000010	–		–
HcInterruptDisable	0x49000014	–		–
HcHCCA	0x49000018	–	Memory pointer group	–
HcPeriodCurrentED	0x4900001C	–		–
HcControlHeadED	0x49000020	–		–
HcControlCurrentED	0x49000024	–		–
HcBulkHeadED	0x49000028	–		–
HcBulkCurrentED	0x4900002C	–		–
HcDoneHead	0x49000030	–		–
HcRmInterval	0x49000034	–		Frame counter group
HcFmRemaining	0x49000038	–	–	
HcFmNumber	0x4900003C	–	–	
HcPeriodicStart	0x49000040	–	–	
HcLSThreshold	0x49000044	–	–	
HcRhDescriptorA	0x49000048	–	Root hub group	–
HcRhDescriptorB	0x4900004C	–		–
HcRhStatus	0x49000050	–		–
HcRhPortStatus1	0x49000054	–		–
HcRhPortStatus2	0x49000058	–		–

16

USB 2.0 FUNCTION

1 OVERVIEW

The Samsung USB 2.0 Controller is designed to aid the rapid implementation of the USB 2.0 peripheral device. The controller supports both High and Full speed mode. Using the standard UTMI interface and AHB interface the USB 2.0 Controller can support up to 9 Endpoints (including Endpoint0) with programmable Interrupt, Bulk mode.

1.1 FEATURE

- Compliant to USB 2.0 specification
- Supports FS/HS dual mode operation
- EP 0 FIFO: 64 bytes.
- EP 1/2/3/4 FIFO: 512 bytes double buffering
- EP 5/6/7/8 FIFO: 1024 bytes double buffering
- Convenient Debugging
- Support Interrupt, Bulk, Transfer

2 BLOCK DIAGRAM

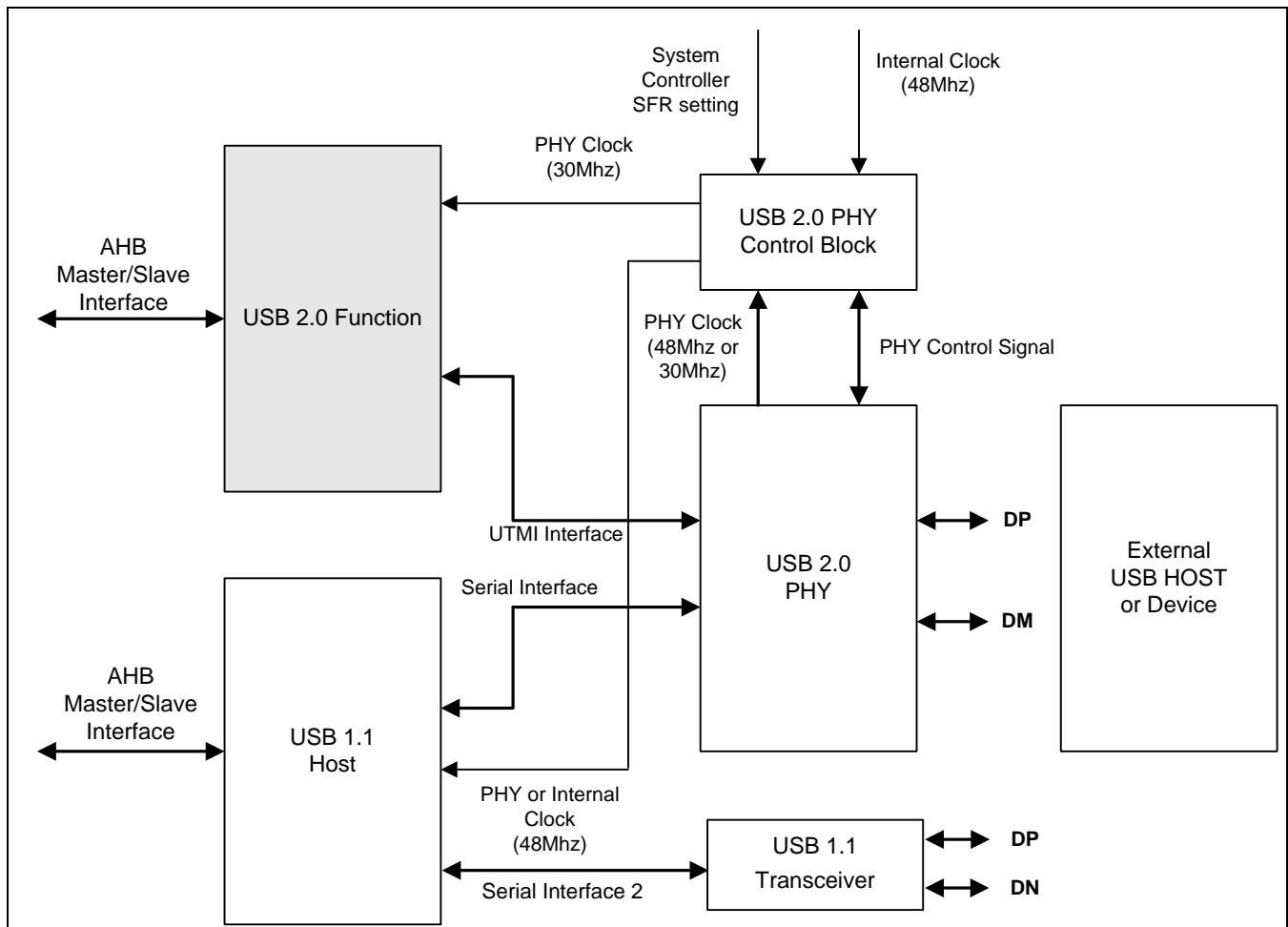


Figure 16-1. USB2.0 Block Diagram

USB2.0 Function has a AHB Slave which provides the microcontroller with read and write access to the Control and Status Registers. And also Function has an AHB Master to enable the link to transfer data on the AHB. The S3C2416 USB system shown as Figure 16-1, can be configured as following :

1. USB 1.1 Host 1 Port & USB 2.0 Device 1 Port
2. USB 1.1 Host 2 Ports

3 TO ACTIVATE USB PORT1 FOR USB 2.0 FUNCTION

USB Function block of S3C2416 shares USB PORT1 with USB Host block. To activate USB PORT1 for USB Function, see USB control registers in System Controller Guide

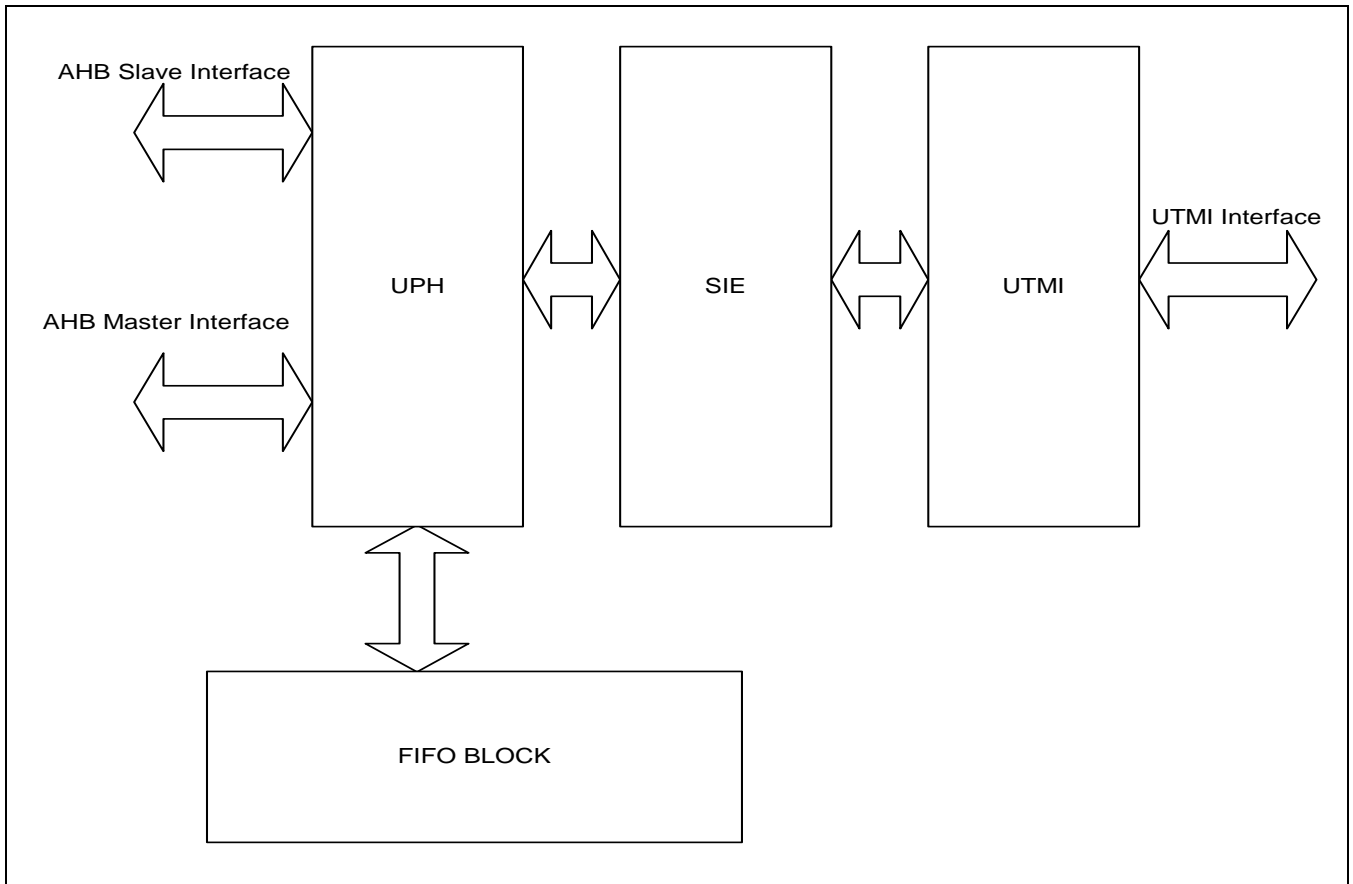


Figure 16-2. USB2.0 Function Block Diagram

4 SIE (SERIAL INTERFACE ENGINE)

This block handles NRZI decoding/encoding, CRC generation and checking, and bit-stuffing. It also provides the interface signals for USB Transceiver.

5 UPH (UNIVERSAL PROTOCOL HANDLER)

This block includes state machines and FIFO control, control/status register and DMA control block of each direction endpoint.

6 UTMI (USB 2.0 TRANSCEIVER MACROCELL INTERFACE)

UTMI interface block connects 16 bit data bus and control signals to USB 2.0 PHY.

7 USB 2.0 FUNCTION CONTROLLER SPECIAL REGISTERS

The USB 2.0 controller includes several 16-bit registers for the endpoint programming and debugging. The registers can be grouped into two categories. Few of the indexed registers are related to endpoint 0, but most of them are utilized for the control and status monitoring of each data endpoint, including FIFO control and packet size configuration. The buffer register for TX/RX data buffering also belong to the indexed register/

The non-indexed registers are mainly used for the control and status checking of the system. The control and status registers of endpoint0 belong to these non-indexed registers.

Table 16-1. Non-Indexed Registers

Register	Address	R/W	Description
IR	0x4980_0000	R/W	Index Register
EIR	0x4980_0004	R/W	Endpoint Interrupt Register
EIER	0x4980_0008	R/W	Endpoint Interrupt Enable Register
FAR	0x4980_000C	R	Function Address Register
EDR	0x4980_0014	R/W	Endpoint Direction Register
TR	0x4980_0018	R/W	Test Register
SSR	0x4980_001C	R/W	System Status Register
SCR	0x4980_0020	R/W	System Control Register
EP0SR	0x4980_0024	R/W	EP0 Status Register
EP0CR	0x4980_0028	R/W	EP0 Control Register
EP0BR	0x4980_0060	R/W	EP0 Buffer Register
EP1BR	0x4980_0064	R/W	EP1 Buffer Register
EP2BR	0x4980_0068	R/W	EP2 Buffer Register
EP3BR	0x4980_006C	R/W	EP3 Buffer Register
EP4BR	0x4980_0070	R/W	EP4 Buffer Register
EP5BR	0x4980_0074	R/W	EP5 Buffer Register
EP6BR	0x4980_0078	R/W	EP6 Buffer Register
EP7BR	0x4980_007C	R/W	EP7 Buffer Register
EP8BR	0x4980_0080	R/W	EP8 Buffer Register
FCON	0x4980_0100	R/W	Burst FIFO-DMA Control
FSTAT	0x4980_0104	R/W	Burst FIFO status

Table 16-2. Indexed Registers

Register	Address	R/W	Description
ESR	0x4980_002C	R/W	Endpoints Status Register
ECR	0x4980_0030	R/W	Endpoints Control Register
BRCR	0x4980_0034	R	Byte Read Count Register
BWCR	0x4980_0038	R/W	Byte Write Count Register
MPR	0x4980_003C	R/W	Max Packet Register
DCR	0x4980_0040	R/W	DMA Control Register
DTCR	0x4980_0044	R/W	DMA Transfer Counter Register
DFCR	0x4980_0048	R/W	DMA FIFO Counter Register
DTTCR1	0x4980_004C	R/W	DMA Total Transfer Counter1 Register
DTTCR2	0x4980_0050	R/W	DMA Total Transfer Counter2 Register
MICR	0x4980_0084	R/W	Master Interface Control Register
MBAR	0x4980_0088	R/W	Memory Base Address Register
MCAR	0x4980_008C	R/W	Memory Current Address Register

8 REGISTERS

8.1 INDEX REGISTER (IR)

The index register is used for indexing a specific endpoint. In most cases, setting the index register value should precede any other operation.

Register	Address	R/W	Description	Reset Value
IR	0x4980_0000	R/W	Index Register	0x00

IR	Bit	R/W	Description	Initial State
	[31:16]	–	Reserved	0000
	[15:4]	–	Reserved (Don't write to this field)	0
INDEX	[3:0]	R/W	Endpoint Number Select (0~6) 0000 = Endpoint0 0001 = Endpoint1 0010 = Endpoint2 0011 = Endpoint3 0100 = Endpoint4 0101 = Endpoint5 0110 = Endpoint6 0111 = Endpoint7 1000 = Endpoint8	0000

8.2 ENDPOINT INTERRUPT REGISTER (EIR)

The endpoint interrupt register lets the MCU know what endpoint generates the interrupt. The source of an interrupt could be various, but, when an interrupt is detected, the endpoint status register should be checked to identify if it's related to specific endpoint. Clearing the bits can be accomplished by writing "1" to the bit position where the interrupt is detected.

Register	Address	R/W	Description	Reset Value
EIR	0x4980_0004	R/C	Endpoint Interrupt Register	0x00

EIR	Bit	R/W	Description	Initial State
	[31:9]	–	Reserved	0
EP8I	[8]	R/C	Endpoint 8 Interrupt Flag	0
EP7I	[7]	R/C	Endpoint 7 Interrupt Flag	0
EP6I	[6]	R/C	Endpoint 6 Interrupt Flag	0
EP5I	[5]	R/C	Endpoint 5 Interrupt Flag	0
EP4I	[4]	R/C	Endpoint 4 Interrupt Flag	0
EP3I	[3]	R/C	Endpoint 3 Interrupt Flag	0
EP2I	[2]	R/C	Endpoint 2 Interrupt Flag	0
EP1I	[1]	R/C	Endpoint 1 Interrupt Flag	0
EP0I	[0]	R/C	Endpoint 0 Interrupt Flag	0

8.3 ENDPOINT INTERRUPT ENABLE REGISTER (EIER)

Pairing with interrupt register, this register enables interrupt for each endpoints.

Register	Address	R/W	Description	Reset Value
EIER	0x4980_0008	R/W	Endpoint interrupt enable register	0x00

EIER	Bit	R/W	Description	Initial State
	[31:9]	–	Reserved	
EP8IE	[8]	R/W	Endpoint 8 Interrupt Enable Flag	0
EP7IE	[7]	R/W	Endpoint 7 Interrupt Enable Flag	0
EP6IE	[6]	R/W	Endpoint 6 Interrupt Enable Flag	0
EP5IE	[5]	R/W	Endpoint 5 Interrupt Enable Flag	0
EP4IE	[4]	R/W	Endpoint 4 Interrupt Enable Flag	0
EP3IE	[3]	R/W	Endpoint 3 Interrupt Enable Flag	0
EP2IE	[2]	R/W	Endpoint 2 Interrupt Enable Flag	0
EP1IE	[1]	R/W	Endpoint 1 Interrupt Enable Flag	0
EP0IE	[0]	R/W	Endpoint 0 Interrupt Enable Flag 1 = EP0 Interrupt flag enable 0 = EP0 Interrupt flag disable	0

8.4 FUNCTION ADDRESS REGISTER (FAR)

This register holds the address of USB device.

Register	Address	R/W	Description	Reset Value
FAR	0x4980_000C	R	Function address register	0x0

FAR	Bit	R/W	Description	Initial State
	[31:7]	–	Reserved	
FA	[6:0]	R	MCU can read a unique USB function address from this register. The address is transferred from USB Host through “set_address” command.	7'h0

8.5 ENDPOINT DIRECTION REGISTER (EDR)

USB 2.0 Core supports IN/OUT direction control for each endpoint. This direction can't be changed dynamically. Only by new enumeration, the direction can be altered. Since the endpoint 0 is bi-directional, there is no direction bit assigned to it.

Register	Address	R/W	Description	Reset Value
EDR	0x4980_0014	R/W	Endpoint direction register	0x0

EDR	Bit	R/W	Description	Initial State
	[31:9]	–	Reserved	
EP8DS	[8]	R/W	Endpoint 8 Direction Select	0
EP7DS	[7]	R/W	Endpoint 7 Direction Select	0
EP6DS	[6]	R/W	Endpoint 6 Direction Select	0
EP5DS	[5]	R/W	Endpoint 5 Direction Select	0
EP4DS	[4]	R/W	Endpoint 4 Direction Select	0
EP3DS	[3]	R/W	Endpoint 3 Direction Select	0
EP2DS	[2]	R/W	Endpoint 2 Direction Select	0
EP1DS	[1]	R/W	Endpoint 1 Direction Select 0 = Rx Endpoint 1 = Tx Endpoint	0
	[0]	–	Reserved	

8.6 TEST REGISTER (TR)

The test register is used for the diagnostics. All bit are activated when 1 is written to and is cleared by 0 on them. Bit[3:0] are for the high speed device only.

Register	Address	R/W	Description	Reset Value
TR	0x4980_0018	R/W	Test register	0x0

TR	Bit	R/W	Description	Initial State
	[31:5]	–	Reserved	
TMD	[4]	R/W	Test Mode. When TMD is set to 1. The core is forced into the test mode. Following TPS, TKS, TJS, TSNS bits are meaningful in test mode.	0
TPS	[3]	R/W	Test Packets. If this bit is set, the USB repetitively transmit the test packets to Host. The test packets are explained in 7.1.20 of USB 2.0 specification. This bit can be set when TMD bit is set.	0
TKS	[2]	R/W	Test K Select. If this bit is set, the transceiver port enters into the high-speed K state. This bit can be set when TMD bit is set.	0
TJS	[1]	R/W	Test J Select. If this bit is set, the transceiver port enters into the high-speed J state. This bit can be set when TMD bit is set.	0
TSNS	[0]	R/W	Test SE0 NAK Select If this bit is set, the transceiver enters into the high speed receive mode and must respond to any IN token with NAK handshake. This bit can be set when TMD bit is set.	0

8.7 SYSTEM STATUS REGISTER (SSR)

This register reports operational status of the USB 2.0 Function Core, especially about error status and power saving mode status. Except the line status, every status bits in the System Status Register could be an interrupt sources. When the register is read after an interrupt due to certain system status changes, MCU should write back 1 to the corresponding bits to clear it.

Register	Address	R/W	Description	Reset Value
SSR	0x4980_001C	R/C	Test register	0x0

SSR	Bit	R/W	Description	Initial State
	[31:16]	–	Reserved	
BAERR	[15]	R/C	Byte Align Error If error interrupt enable bit of SCR register is set to 1, BAERR is set to 1 when byte alignment error is detected.	0
TMERR	[14]	R/C	Timeout Error If error interrupt enable bit of SCR register is set to 1, TMERR is set to 1 when timeout error is detected.	0
BSERR	[13]	R/C	Bit Stuff Error If error interrupt enable bit of SCR register is set to 1, BSERR is set to 1 when bit stuff error is detected.	0
TCERR	[12]	R/C	Token CRC Error If error interrupt enable bit of SCR register is set to 1, BSERR is set to 1 when CRC error in token packet is detected.	0
DCERR	[11]	R/C	Data CRC Error If error interrupt enable bit of SCR register is set to 1, DCERR is set to 1 when CRC error in data packet is detected.	0
EOERR	[10]	R/C	EB OVERRUN Error If error interrupt enable bit of SCR register is set to 1, EOERR is set to 1 when EB overrun error in transceiver is detected.	0
	[9:8]	–	Reserved	
TBM	[7]	R/C	Toggle Bit Mismatch. If error interrupt enable bit of SCR register is set to 1, TBM is set to 1 when Toggle mismatch is detected.	0
DP	[6]	R	DP Data Line State DP informs the status of D+ Line	0
DM	[5]	R	DM Data Line State DM informs the status of D- Line	0
HSP	[4]	R	Host Speed 0 = Full Speed 1 = High Speed	0

SSR	Bit	R/W	Description	Initial State
SDE	[3]	R/C	Speed Detection End. SDE is set by the core when the HS Detect Handshake process is ended.	0
HFRM	[2]	R/C	Host Forced Resume. HFRM is set by the core in suspend state when host sends resume signaling.	0
HFSUSP	[1]	R/C	Host Forced Suspend HFSUSP is set by the core when the SUSPEND signaling from host is detected.	0
HFRES	[0]	R/C	Host Forced Reset. HFRES is set by the core when the RESET signaling from host is detected.	0

8.8 SYSTEM CONTROL REGISTER (SCR)

This register enables top-level control of the core. MCU should access this register for controls such as Power saving mode enable/disable.

Register	Address	R/W	Description	Reset Value
SCR	0x4980_0020	R/W	System control register	0x0

SCR	Bit	R/W	Description	Initial State
	[31:15]	–	Reserved	
DTZIEN	[14]	R/W	DMA Total Counter Zero Interrupt Enable 0 = Disable 1 = Enable When set to 1, DMA total counter zero interrupt is generated.	0
	[13]	–	Reserved	
DIEN	[12]	R/W	DUAL Interrupt Enable 0 = Disable 1 = Enable When set to 1, Interrupt is activated until Interrupt source is cleared.	0
	[11:9]	–	Reserved	
EIE	[8]	R/W	Error Interrupt Enable This bit must be set to 1 to enable error interrupt.	0
SPDCEN	[7]	R/W	Speed detection Control Enable 0 = Disable 1 = Enable	0
SPDEN	[6]	R/W	Speed Detect End Interrupt Enable When set to 1, Speed detection interrupt is generated.	0
	[5]	–	Reserved	
	[4]	–	Should be zero	0
SPDC	[3]	R/W	Speed detection Control Software can reset Speed detection Logic through this bit. This bit is used to control speed detection process in case of System with a long initial time. 0 = Enable 1 = Disable	0
MFRM	[2]	R/W	Resume by MCU If this bit is set, the suspended core generates a resume signal. This bit is set when MCU writes 1. This bit is cleared when MCU writes 0.	0
HSUSPE	[1]	R/W	Suspend Enable When set to 1, core can respond to the suspend signaling by USB host.	0
HRESE	[0]	R/W	Reset Enable When set to 1, core can respond to the reset signaling by USB host.	0

8.9 EP0 STATUS REGISTER (EP0SR)

This register stores status information of the Endpoint 0. These status information are set automatically by the core when corresponding conditions are met. After reading the bits, MCU should write 1 to clear them.

Register	Address	R/W	Description	Reset Value
EP0SR	0x4980_0024	R/W	EP0 status register	0x0

EP0SR	Bit	R/W	Description	Initial State
	[31:7]	–	Reserved	
LWO	[6]	R	Last Word Odd Low informs that the last word of a packet in FIFO has an invalid upper byte. This bit is cleared automatically after the MCU reads it from the FIFO.	0
	[5]	–	Reserved	
SHT	[4]	R/C	Stall Handshake Transmitted. SHT informs that STALL handshake due to stall condition is sent to Host. This bit is an interrupt source. This bit is cleared when the MCU writes 1.	0
	[3:2]	–	Reserved	
TST	[1]	R/C	Tx successfully received. TST is set by core after core sends TX data to Host and receives ACK successfully. TST is one of the interrupt sources.	0
RSR	[0]	R/C	Rx successfully received. RSR is set by core after core receives error free packet from Host and sent ACK back to Host successfully. RSR is one of the interrupt sources.	0

8.10 EP0 CONTROL REGISTER (EP0CR)

EP0 control register is used for the control of endpoint 0. Controls such as enabling ep0 related interrupts and toggle controls can be handled by EP0 control register.

Register	Address	R/W	Description	Reset Value
EP0CR	0x4980_0028	R/W	EP0 control register	0x0

EP0CR	Bit	R/W	Description	Initial State
	[31:2]	–	Reserved	
ESS	[1]	R/W	Endpoint Stall Set ESS is set by MCU when it intends to send STALL handshake to Host. This bit is cleared when the MCU writes 0 on it. ESS is needed to be set 0 after MCU writes 1 on it.	0
TZLS	[0]	R/W	Tx Zero Length Set. TZLS is set by MCU when it intends to send Tx zero length data to Host. TZLS is useful for core Test. TZLS can be managed when Tx Test Enable (TTE) bit is set. This bit is cleared when the MCU writes 0 on it	0

8.11 ENDPOINT# BUFFER REGISTER (EP#BR)

The buffer register is used to hold data for TX/RX transfer.

Register	Address	R/W	Description	Reset Value
EP0BR	0x4980_0060	R/W	EP0 Buffer Register	0x0
EP1BR	0x4980_0064	R/W	EP1 Buffer Register	0x0
EP2BR	0x4980_0068	R/W	EP2 Buffer Register	0x0
EP3BR	0x4980_006C	R/W	EP3 Buffer Register	0x0
EP4BR	0x4980_0070	R/W	EP4 Buffer Register	0x0
EP5BR	0x4980_0074	R/W	EP5 Buffer Register	0x0
EP6BR	0x4980_0078	R/W	EP6 Buffer Register	0x0
EP7BR	0x4980_007C	R/W	EP7 Buffer Register	0x0
EP8BR	0x4980_0080	R/W	EP8 Buffer Register	0x0

EP#BR	Bit	R/W	Description	Initial State
	[31:16]	–	Reserved	
	[15:0]	R/W	Buffer register holds TX/RX data between MCU and the core	16hX

8.12 ENDPOINT STATUS REGISTER (ESR)

The endpoint status register reports current status of an endpoint (except EP0) to the MCU

Register	Address	R/W	Description	Reset Value
ESR	0x4980_002C	R/W	Endpoint status register	0x0

ESR	Bit	R/W	Description	Initial State
	[31:12]		Reserved	
FPID	[11]	R/W	First OUT Packet interrupt Disable in OUT DMA operation. First Received OUT packet generates interrupt if this bit is disabled and DEN in DMA control register is enabled 0 = Disable 1 = Enable	0
OSD	[10]	R/C	OUT Start DMA Operation. OSD is set when First OUT packet is received after Registers related DMA Operation are set.	0
DTCZ	[9]	R/C	DMA Total Count Zero DTCZ is set when DMA Operation Total Counter reach to 0. This bit is cleared when the MCU writes 1 on it.	0
SPT	[8]	R/C	Short Packet Received. SPT informs that OUT endpoint receives short packet during OUT DMA Operation. This bit is cleared when the MCU writes 1 on it.	0
DOM	[7]	R	Dual Operation Mode DOM is set when the max packet size of corresponding endpoint is equal to a half FIFO size. This bit is read only. Endpoint0 does not support dual mode.	0
FFS	[6]	R/C	FIFO Flushed. FFS informs that FIFO is flushed. This bit is an interrupt source. This bit is cleared when the MCU clears FLUSH bit in Endpoint Control Register.	0
FSC	[5]	R/C	Function Stall Condition. FSC informs that STALL handshake due to functional stall condition is sent to Host. This bit is set when endpoint stall set bit is set by the MCU. This bit is cleared when the MCU writes 1 on it.	0
LWO	[4]	R	Last Word Odd. Low informs that the lower byte of last word is only valid. This bit is automatically cleared after the MCU reads packet data received Host.	0

ESR	Bit	R/W	Description	Initial State
PSIF	[3:2]	R	Packet Status In FIFO. 00 = No packet in FIFO 01 = One packet in FIFO 10 = Two packet in FIFO 11 = Invalid value	0
TPS	[1]	R/C	Tx Packet Success TPS is used for Single or Dual transfer mode. TPS is activated when one packet data in FIFO was successfully transferred to Host and received ACK from Host. This bit should be cleared by writing 1 on it after being read by the MCU.	0
RPS	[0]	R	Rx Packet Success. RPS is used for Single or Dual transfer mode. RPS is activated when the FIFO has a packet data to receive. RPS is automatically cleared when MCU reads all packets (one or two) from FIFO. MCU can identify the packet size through byte read count register (BRCR).	0

8.13 ENDPOINT CONTROL REGISTER (ECR)

The endpoint control register is useful for controlling an endpoint both in normal operation and test case. Putting an endpoint in specific operation mode can be accomplished through the endpoint control register.

Register	Address	R/W	Description	Reset Value
ECR	0x4980_0030	R/W	Endpoint Control Register	0x0

ECR	Bit	R/W	Description	Initial State
	[31:13]	–	Reserved	
INPKTHLD	[12]	R/W	The MCU can control Tx FIFO status through this bit. If this bit is set to one, USB does not send IN data to Host. 0 = The USB can send IN data to Host according to IN FIFO status(normal operation) 1 = The USB sends NAK handshake to Host regardless of IN FIFO status.	0
OUTPKTHLD	[11]	R/W	The MCU can control Rx FIFO Status through this bit. If this bit is set to one, USB does not accept OUT data from Host. 0 = The USB can accept OUT data from Host according to OUT FIFO status(normal operation) 1 = The USB does not accept OUT data from Host.	0
	[10:8]	–	Reserved	
DUEN	[7]	R/W	Dual FIFO mode Enable 0 = Dual Disable(Single mode) 1 = Dual Enable	0
FLUSH	[6]	R/W	FIFO Flush FIFO is flushed when this bit is set to 1. This bit is automatically cleared after MCU writes 1.	0
	[5:2]	–	Reserved	
ESS	[1]	R/W	Endpoint Stall Set ESS is set by the MCU when the MCU intends to send STALL handshake to Host. This bit is cleared when the MCU writes 0 in it.	0
IEMS	[0]	R/W	Interrupt Endpoint Mode Set IEMS determines the transfer type of an endpoint. 0 = Interrupt Transfer mode Disable 1 = Interrupt Transfer mode Enable	0

8.14 BYTE READ COUNT REGISTER (BRCR)

The byte read count register keeps byte (half word) counts of a RX packet from USB host.

Register	Address	R/W	Description	Reset Value
BRCR	0x4980_0034	R	Byte Read Count Register	0x0

BRCR	Bit	R/W	Description	Initial State
	[31:10]	–	Reserved	
RDCNT	[9:0]	R	FIFO Read Byte Count[9:0] RDCNT is read only. The BRCR inform the amount of received data from host. In 16-bit Interface, RDCNT informs the amount of data in half word (16-bit) unit. Through the LWO bit of EP0SR, the MCU can determine valid byte in last data word.	10'h

8.15 BYTE WRITE COUNT REGISTER (BWCR)

The byte write count register keeps the byte (half word) count value of a TX packet from MCU. The counter value will be used to determine the end of TX packet.

Register	Address	R/W	Description	Reset Value
BWCR	0x4980_0038	R/W	Byte Write Count Register	0x0

BWCR	Bit	R/W	Description	Initial State
	[31:10]	–	Reserved	
WRCNT	[9:0]	R/W	Through BWCR, the MCU must load the byte counts of a TX data packet to the core. The core uses this count value to determine the end of packet. The count value to this register must be less than MAXP.	10'h

8.16 MAX PACKET REGISTER (MPR)

The byte write count register keeps the byte (half word) count value of a TX packet from MCU. The counter value will be used to determine the end of TX packet.

Register	Address	R/W	Description	Reset Value
MPR	0x4980_003C	R/W	MAX Packet Register	0x0

MPR	Bit	R/W	Description	Initial State
	[31:11]	–	Reserved	
MAXP	[10:0]	R/W	MAX Packet [10:0] The max packet size of each endpoint is determined by MAX packet register. The range of max packet is from 0 to 1024 bytes. 000_0000_0000 = Max Packet 0 byte. 000_0000_1000 = Max Packet 8 bytes. 000_0001_0000 = Max Packet 16 bytes. 000_0010_0000 = Max Packet 32 bytes. 000_0100_0000 = Max Packet 64 bytes. 000_1000_0000 = Max Packet 128 bytes. 001_0000_0000 = Max Packet 256 bytes. 010_0000_0000 = Max Packet 512 bytes. 100_0000_0000 = Max Packet 1024 bytes.	11'h0

8.17 DMA CONTROL REGISTER (DCR)

The AHB Master Operation is controlled by the programming DMA Control Register and DMA IF Control Register.

Register	Address	R/W	Description	Reset Value
DCR	0x4980_0040	R/W	DMA Control Register	0x0

DCR	Bit	R/W	Description	Initial State
	[31:6]	–	Reserved	
ARDRD	[5]	R/W	Auto Rx DMA Run set disable. 0 = Set 1 = Disable This bit is cleared when DMA operation is ended.	0
FMDE	[4]	R/W	Burst Mode Enable. This bit is used to run Burst Mode DMA Operation. 0 = Burst mode disable 1 = Burst mode enable	0
DMDE	[3]	R/W	Demand Mode DMA Enable. This bit is used to run Demand mode DMA operation. 0 = Demand mode disable. 1 = Demand mode enable.	0
TDR	[2]	R/W	Tx DMA Operation Run This bit is used to set start DMA operation for Tx Endpoint (IN endpoint) 0 = DMA operation stop 1 = DMA operation run	0
RDR	[1]	R/W	Rx DMA Operation Run This bit is used to start DMA operation for Rx Endpoint (OUT endpoint). This bit is automatically set when USB receives OUT packet data and DEN bit is set to 1 and ARDRD bit is set to 0. To operate DMA operation after OUT packet data received, MCU must set RDR to 1. 0 = DMA operation stop. 1 = DMA operation run.	0
DEN	[0]	R/W	DMA Operation Mode Enable This bit is used to set the DMA Operation mode 0 = Interrupt Operation mode 1 = DMA Operation mode	0

8.18 DMA TRANSFER COUNTER REGISTER (DTCR)

The byte write count register keeps the byte (half word) count value of a TX packet from MCU. The counter value will be used to determine the end of TX packet.

Register	Address	R/W	Description	Reset Value
DTCR	0x4980_0044	R/W	DMA Transfer Counter Register	0x0

MTCR	Bit	R/W	Description	Initial State
	[31:11]		Reserved	
DTCR	[10:0]	R/W	To operate single mode transfer, DTCR is needed to be set 11'h0002. In case of Burst mode, the MCU should set max packet value.	11'h0

8.19 DMA FIFO COUNTER REGISTER (DFCR)

This register has the byte number of data per DMA operation.
The max packet size is loaded in this register.

Register	Address	R/W	Description	Reset Value
DFCR	0x4980_0048	R/W	DMA FIFO Counter Register	0x0

MFCR	Bit	R/W	Description	Initial State
	[31:12]	–	Reserved	
DFCR	[11:0]	R/W	In case of OUT Endpoint, the size value of received packet will be loaded in this register automatically when Rx DMA Run is enabled. In case of IN Endpoint, the MCU should set max packet value.	12'h0

8.20 DMA TOTAL TRANSFER COUNTER REGISTER 1/2 (DTTCR 1/2)

This register has the total byte number of data to transfer using DMA Interface.
When this counter register value is zero, DMA operation is ended.

Register	Address	R/W	Description	Reset Value
DTTCR1 DTTCR2	0x4980_004C 0x4980_0050	R/W	DMA Total Transfer Counter Register 1/2	0x0

MTTCR#	Bit	R/W	Description	Initial State
	[31:16]		Reserved	
DTTCR	[15:0]	R/W	This register should have total byte size to be transferred using DMA Interface. DMA Total Transfer Counter1 : Low half word value DMA Total Transfer Counter2 : High half word value. The max value is up to 2^{32}	16'h0

8.21 DMA INTERFACE CONTROL REGISTER (DICR)

The AHB Master Operation is controlled by the programming DMA Control Register and DMA IF Control Register.

Register	Address	R/W	Description	Reset Value
DICR	0x4980_0084	R/W	DMA Interface Counter Register	0x0

DICR	Bit	R/W	Description	Initial State
Reserved	[31:4]	–	Reserved	0
RELOAD_ MBAR	[4]	R/W	Select Reload Condiion 0 = Every end of Full DMA operation 1 = Every Packet transfer.	0
Reserved	[3:2]		Reserved	0
MAX_BURST	[1:0]	R/W	Max Burst Length 00 = Single transfer 01 = 4-beat incrementing burst transfer(INCR4) 10 = 8-beat incrementing burst transfer(INCR8) 11 = 16-beat incrementing burst transfer(INCR16)	00

8.22 MEMORY BASE ADDRESS REGISTER (MBAR)

Register	Address	R/W	Description	Reset Value
MBAR	0x4980_0088	R/W	Memory Base Address Register	0x0

MBAR#	Bit	R/W	Description	Initial State
MBAR	[31:0]	R/W	This register should have memory base address to be transferred using DMA Interface.	32'h0

Note: When DDR2 SDRAM is used as main memory, MBAR should be aligned with double-word addressing.

8.23 MEMORY CURRENT ADDRESS REGISTER (MCAR)

Register	Address	R/W	Description	Reset Value
MCAR	0x4980_008C	R	Memory Current Address Register	0x0

MCAR#	Bit	R/W	Description	Initial State
MCAR	[31:0]	R	This register should have memory current address to be transferred using DMA Interface.	

8.24 BURST FIFO CONTROL REGISTER(FCON)

Register	Address	R/W	Description	Reset Value
FCON	0x4980_0100	R/W	Burst DMA transfer Control	0x0

MBAR#	Bit	R/W	Description	Initial State
Reserved	[31:9]	R/W	Reserved	000000
DMAEN	[8]	R/W	DMA enable	0
Rreserved	[7:5]	R/W	Reserved	000
TF_CLR	[4]	R/W	TX fifo clear	0
Reserved	[3:1]	R/W	Reserved	000
RF_CLR	[0]	R/W	RX fifo clear	0

8.25 BURST FIFO STATUS REGISTER(FSTAT)

Register	Address	R/W	Description	Reset Value
FSTAT	0x4980_0104	R/W	Burst DMA transfer Status	0x0

FSTAT	Bit	R/W	Description	Initial State
Reserved	[31:14]	R	Reserved	
TF_FULL	[13]	R	TX FIFO Full	0
TF_CNT	[12:8]	R	# of data in TX fifo	0
Reserved	[7:6]	R	Reserved	0
RF_FULL	[5]	R	RX FIFO Full	0
RF_CNT	[4:0]	R	# of data in RX fifo	0

8.26 AHB MASTER(DMA) OPERATION FLOW CHART

8.26.1 A. OUT Transfer Operation Flow

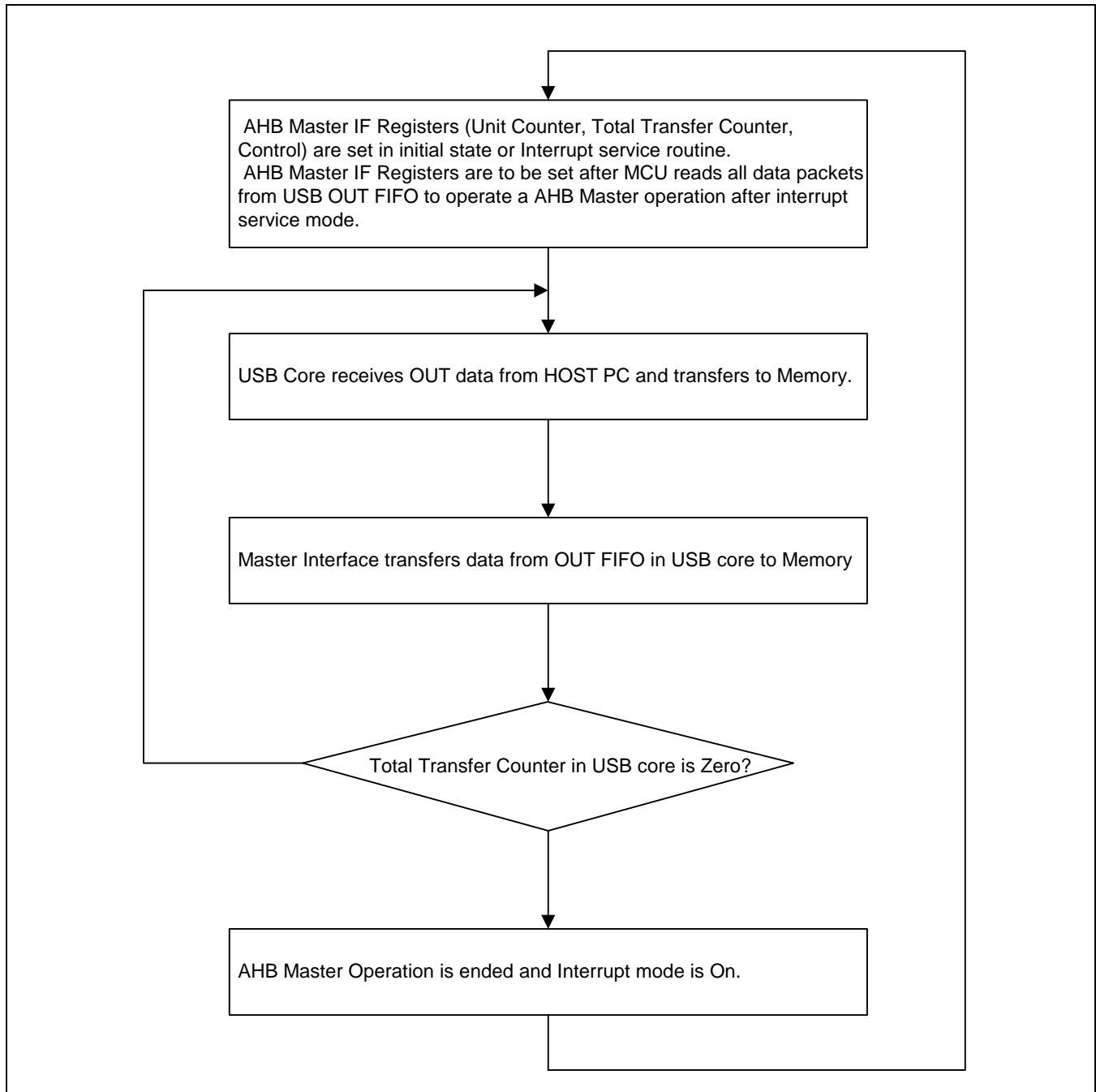


Figure 17-3. OUT Transfer Operation Flow

8.26.2 B. IN Transfer Operation Flow

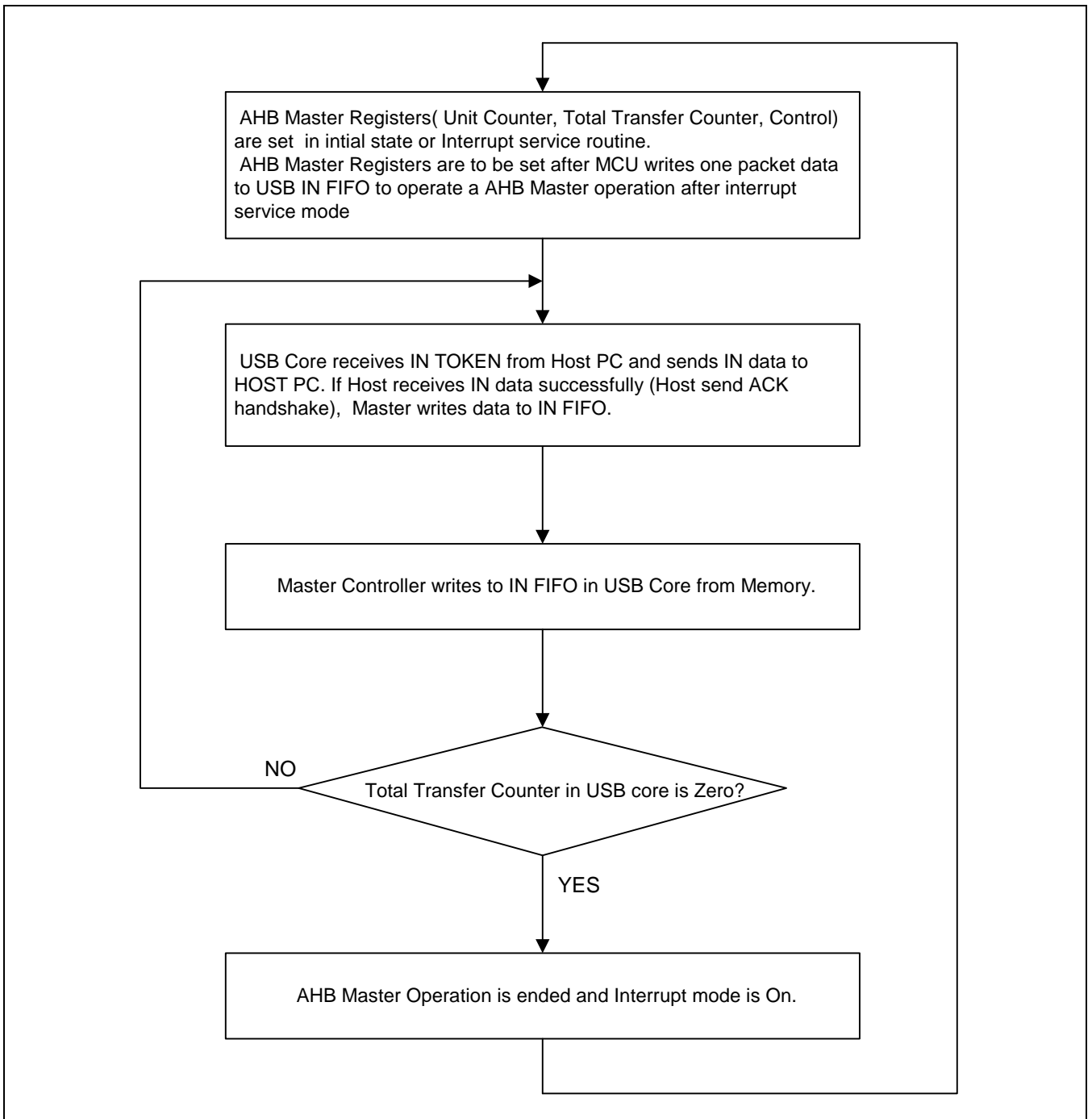


Figure 17-4. IN Transfer Operation Flow

NOTES

17 IIC-BUS INTERFACE

1 OVERVIEW

The S3C2416 RISC microprocessor can support one channels of multi-master IIC-bus serial interface. A dedicated serial data line (SDA) and a serial clock line (SCL) carry information between bus masters and peripheral devices which are connected to the IIC-bus. The SDA and SCL lines are bi-directional.

In multi-master IIC-bus mode, multiple S3C2416 RISC microprocessors can receive or transmit serial data to or from slave devices. The master S3C2416 can initiate and terminate a data transfer over the IIC-bus. The IIC-bus in the S3C2416 uses Standard bus arbitration procedure.

To control multi-master IIC-bus operations, values must be written to the following registers:

- Multi-master IIC-bus control register, IICCON
- Multi-master IIC-bus control/status register, IICSTAT
- Multi-master IIC-bus Tx/Rx data shift register, IICDS
- Multi-master IIC-bus address register, IICADD

When the IIC-bus is free, the SDA and SCL lines should be both at High level. A High-to-Low transition of SDA can initiate a Start condition. A Low-to-High transition of SDA can initiate a Stop condition while SCL remains steady at High Level.

The Start and Stop conditions can always be generated by the master devices. A 7-bit address value in the first data byte, which is put onto the bus after the Start condition has been initiated, can determine the slave device which the bus master device has selected. The 8th bit determines the direction of the transfer (read or write).

Every data byte put onto the SDA line should be eight bits in total. The bytes can be unlimitedly sent or received during the bus transfer operation. Data is always sent from most-significant bit (MSB) first, and every byte should be immediately followed by acknowledge (ACK) bit.

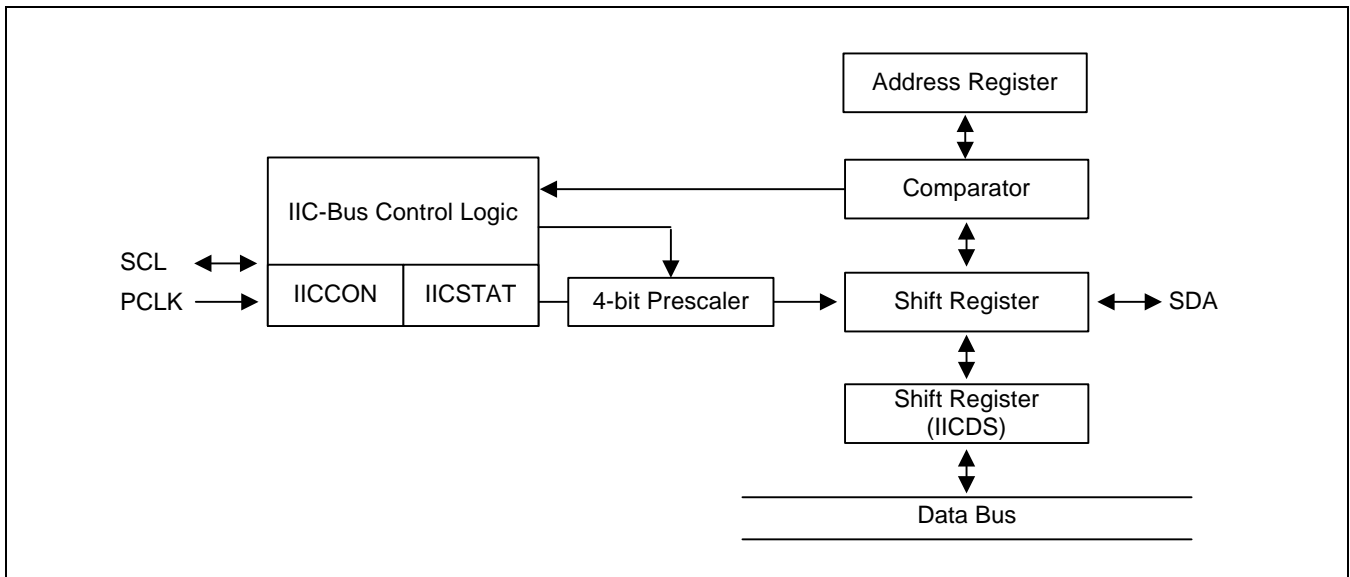


Figure 17-1. IIC-Bus Block Diagram

1.1 IIC-BUS INTERFACE

The S3C2416 IIC-bus interface has four operation modes:

- Master transmitter mode
- Master receive mode
- Slave transmitter mode
- Slave receive mode

Functional relationships among these operating modes are described below.

1.2 START AND STOP CONDITIONS

When the IIC-bus interface is inactive, it is usually in Slave mode. In other words, the interface should be in Slave mode before detecting a Start condition on the SDA line (a Start condition can be initiated with a High-to-Low transition of the SDA line while the clock signal of SCL is High). When the interface state is changed to Master mode, a data transfer on the SDA line can be initiated and SCL signal generated.

A Start condition can transfer a one-byte serial data over the SDA line, and a Stop condition can terminate the data transfer. A Stop condition is a Low-to-High transition of the SDA line while SCL is High. Start and Stop conditions are always generated by the master. The IIC-bus gets busy when a Start condition is generated. A Stop condition will make the IIC-bus free.

When a master initiates a Start condition, it should send a slave address to notify the slave device. One byte of address field consists of a 7-bit address and a 1-bit transfer direction indicator (showing write or read). If bit 8 is 0, it indicates a write operation (transmit operation); if bit 8 is 1, it indicates a request for data read (receive operation).

The master will complete the transfer operation by transmitting a Stop condition. If the master wants to continue the data transmission to the bus, it should generate another Start condition as well as a slave address. In this way, the read-write operation can be performed in various formats.

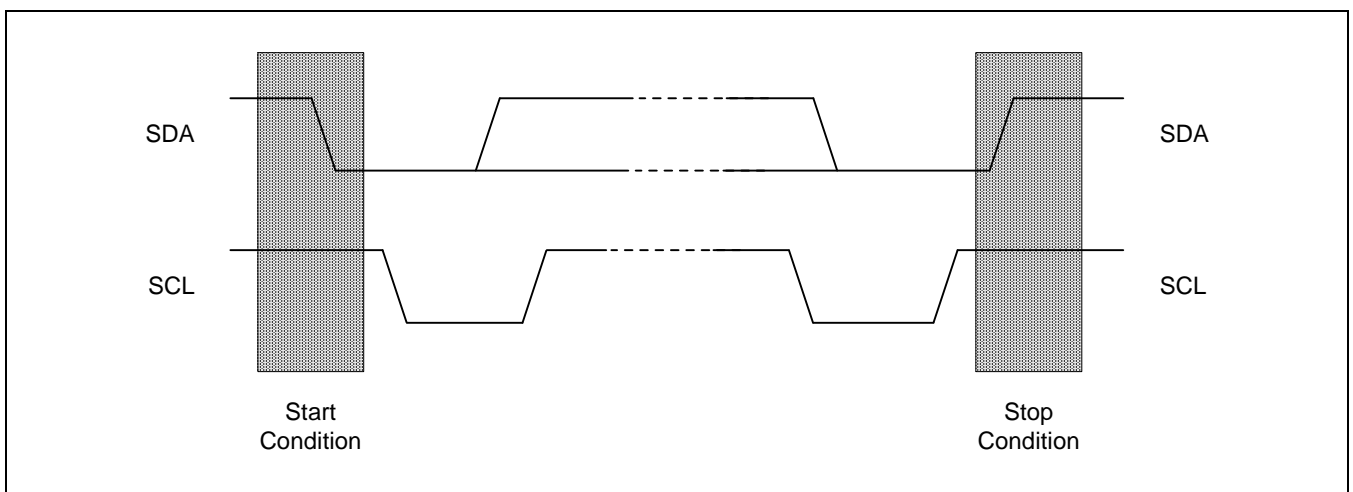


Figure 17-2. Start and Stop Condition

1.3 DATA TRANSFER FORMAT

Every byte placed on the SDA line should be eight bits in length. The bytes can be unlimitedly transmitted per transfer. The first byte following a Start condition should have the address field. The address field can be transmitted by the master when the IIC-bus is operating in Master mode. Each byte should be followed by an acknowledgement (ACK) bit. The MSB bit of the serial data and addresses are always sent first.

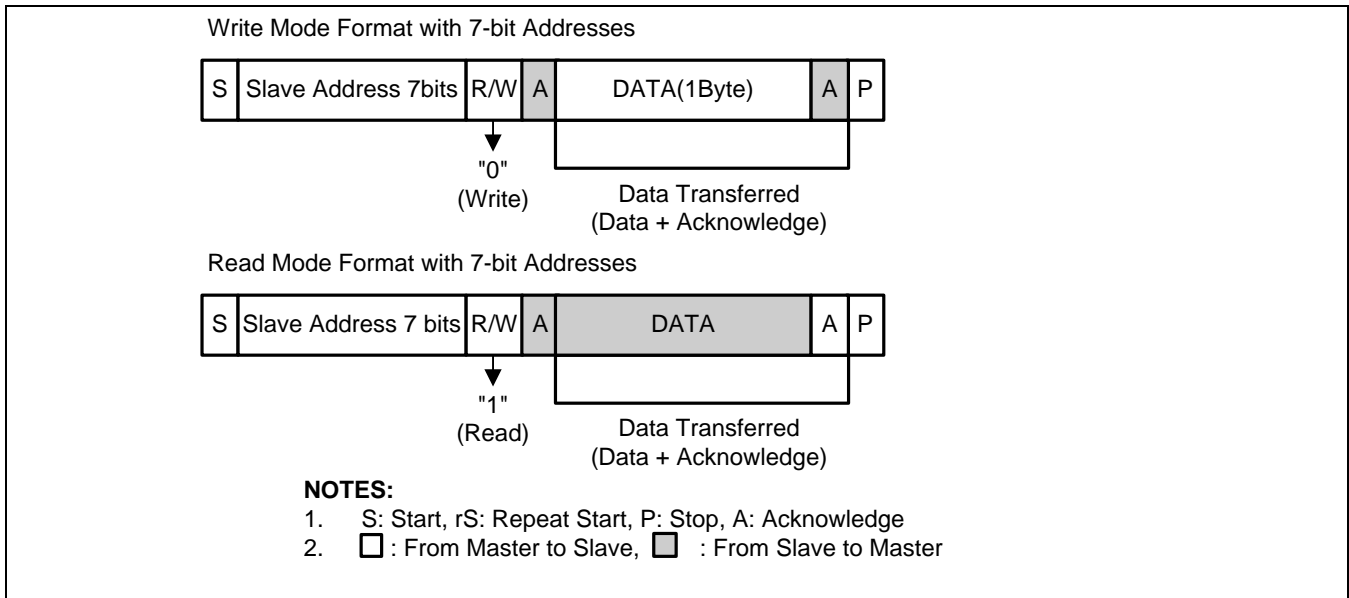


Figure 17-3. IIC-Bus Interface Data Format

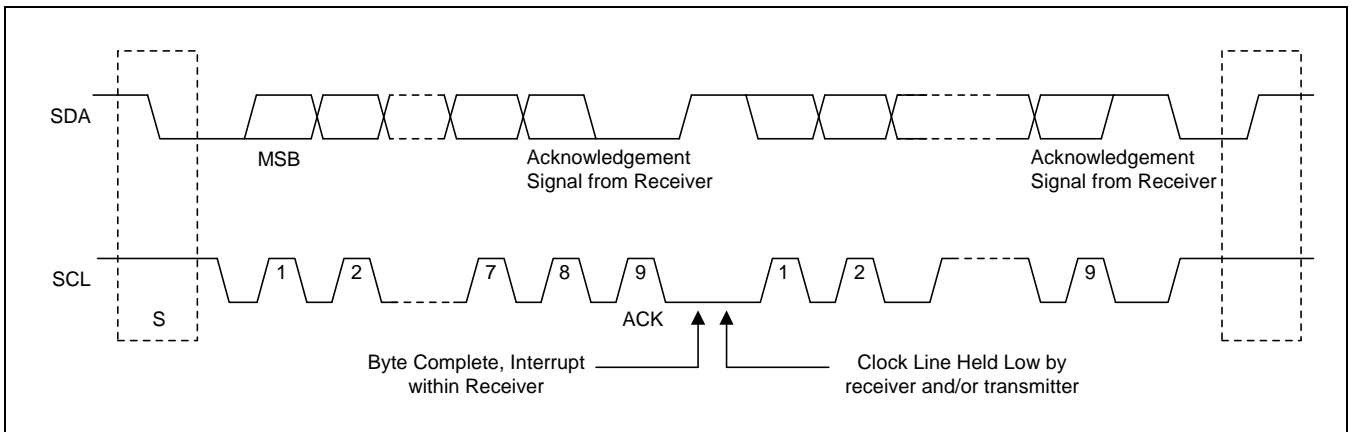


Figure 17-4. Data Transfer on the IIC-Bus

1.4 ACK SIGNAL TRANSMISSION

To complete a one-byte transfer operation, the receiver should send an ACK bit to the transmitter. The ACK pulse should occur at the ninth clock of the SCL line. Eight clocks are required for the one-byte data transfer. The master should generate the clock pulse required to transmit the ACK bit.

The transmitter should release the SDA line by making the SDA line High when the ACK clock pulse is received. The receiver should also drive the SDA line Low during the ACK clock pulse so that the SDA keeps Low during the High period of the ninth SCL pulse.

The ACK bit transmit function can be enabled or disabled by software (IICSTAT). However, the ACK pulse on the ninth clock of SCL is required to complete the one-byte data transfer operation.

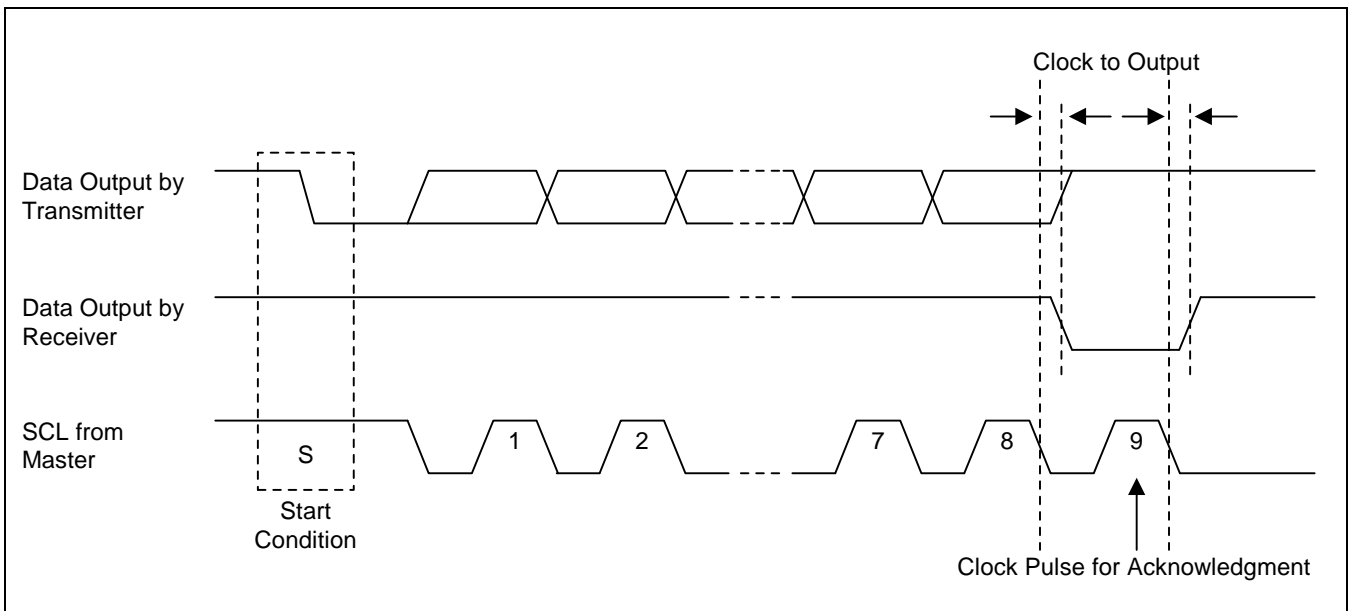


Figure 17-5. Acknowledge on the IIC-Bus

1.5 READ-WRITE OPERATION

In Transmitter mode, when the data is transferred, the IIC-bus interface will wait until IIC-bus Data Shift (IICDS) register receives a new data. Before the new data is written into the register, the SCL line will be held low, and then released after it is written. The S3C2416 should hold the interrupt to identify the completion of current data transfer. After the CPU receives the interrupt request, it should write a new data into the IICDS register, again.

In Receive mode, when data is received, the IIC-bus interface will wait until IICDS register is read. Before the new data is read out, the SCL line will be held low and then released after it is read. The S3C2416 should hold the interrupt to identify the completion of the new data reception. After the CPU receives the interrupt request, it should read the data from the IICDS register.

1.6 BUS ARBITRATION PROCEDURES

Arbitration takes place on the SDA line to prevent the contention on the bus between two masters. If a master with a SDA High level detects the other master with a SDA active Low level, it will not initiate a data transfer because the current level on the bus does not correspond to its own. The arbitration procedure will be extended until the SDA line turns High.

However, when the masters simultaneously lower the SDA line, each master should evaluate whether the mastership is allocated itself or not. For the purpose of evaluation is that each master should detect the address bits. While each master generates the slaver address, it should also detect the address bit on the SDA line because the SDA line is likely to get Low rather than to keep High. Assume that one master generates a Low as first address bit, while the other master is maintaining High. In this case, both masters will detect Low on the bus because the Low status is superior to the High status in power. When this happens, Low (as the first bit of address) generating master will get the mastership while High (as the first bit of address) generating master should withdraw the mastership. If both masters generate Low as the first bit of address, there should be arbitration for the second address bit, again. This arbitration will continue to the end of last address bit.

1.7 ABORT CONDITIONS

If a slave receiver cannot acknowledge the confirmation of the slave address, it should hold the level of the SDA line High. In this case, the master should generate a Stop condition and to abort the transfer.

If a master receiver is involved in the aborted transfer, it should signal the end of the slave transmit operation by canceling the generation of an ACK after the last data byte received from the slave. The slave transmitter should then release the SDA to allow a master to generate a Stop condition.

1.8 CONFIGURING IIC-BUS

To control the frequency of the serial clock (SCL), the 4-bit prescaler value can be programmed in the IICCON register. The IIC-bus interface address is stored in the IIC-bus address (IICADD) register. (By default, the IIC-bus interface address has an unknown value.)

1.9 FLOWCHARTS OF OPERATIONS IN EACH MODE

The following steps must be executed before any IIC Tx/Rx operations.

1. Write own slave address on IICADD register, if needed.
2. Set IICCON register.
 - a) Enable interrupt
 - b) Define SCL period
3. Set IICSTAT to enable Serial Output

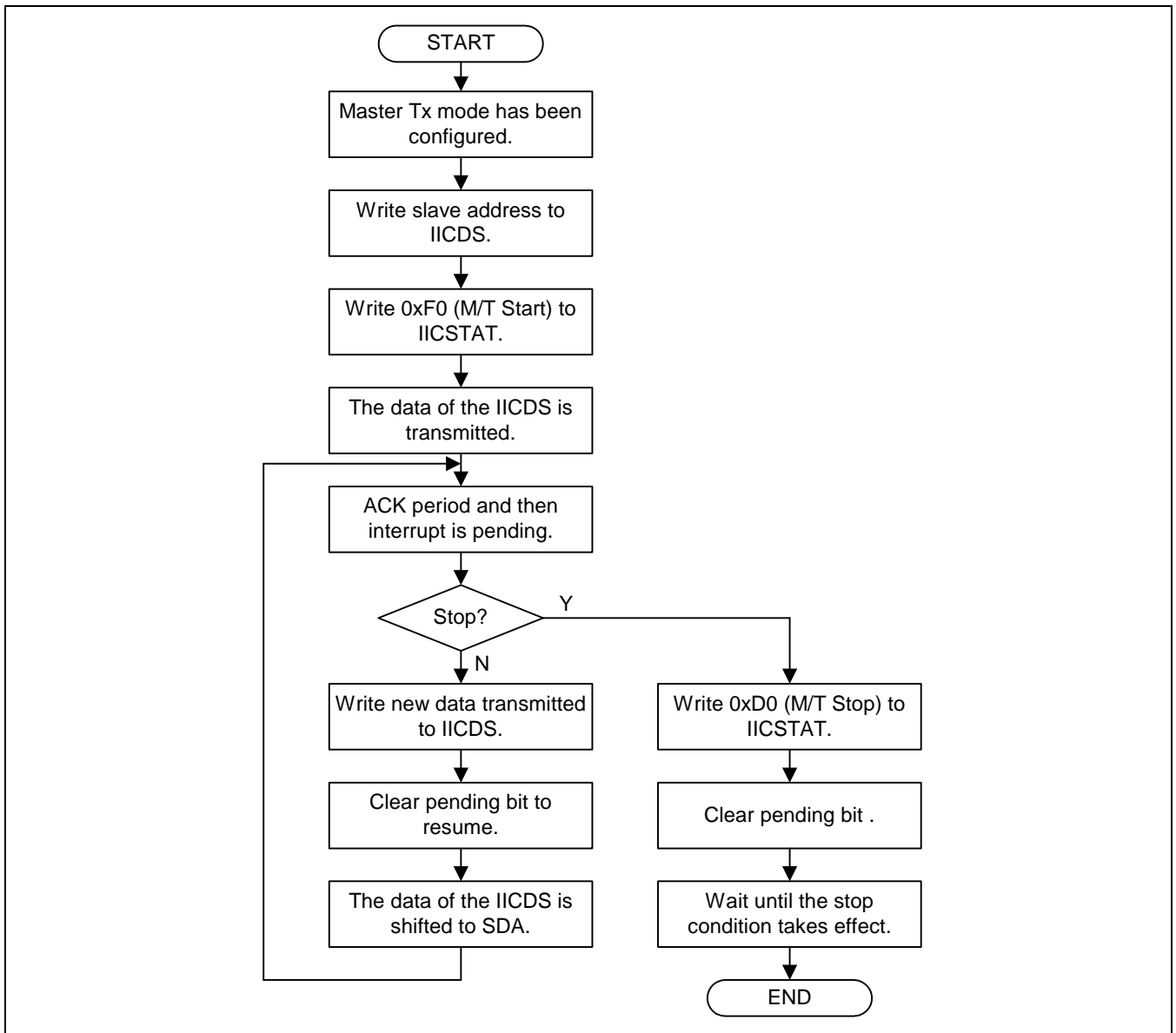


Figure 17-6. Operations for Master/Transmitter Mode

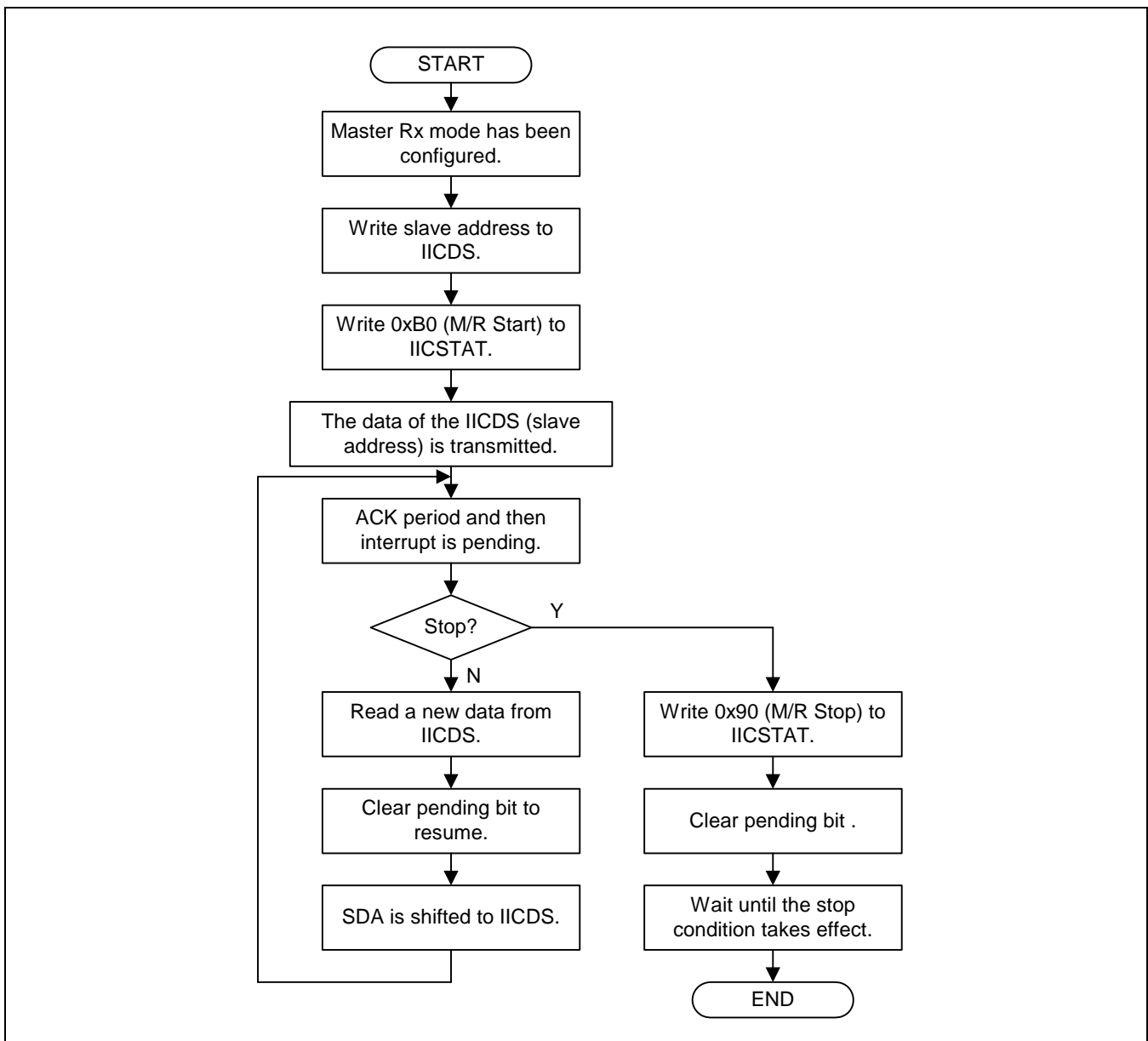


Figure 17-7. Operations for Master/Receiver Mode

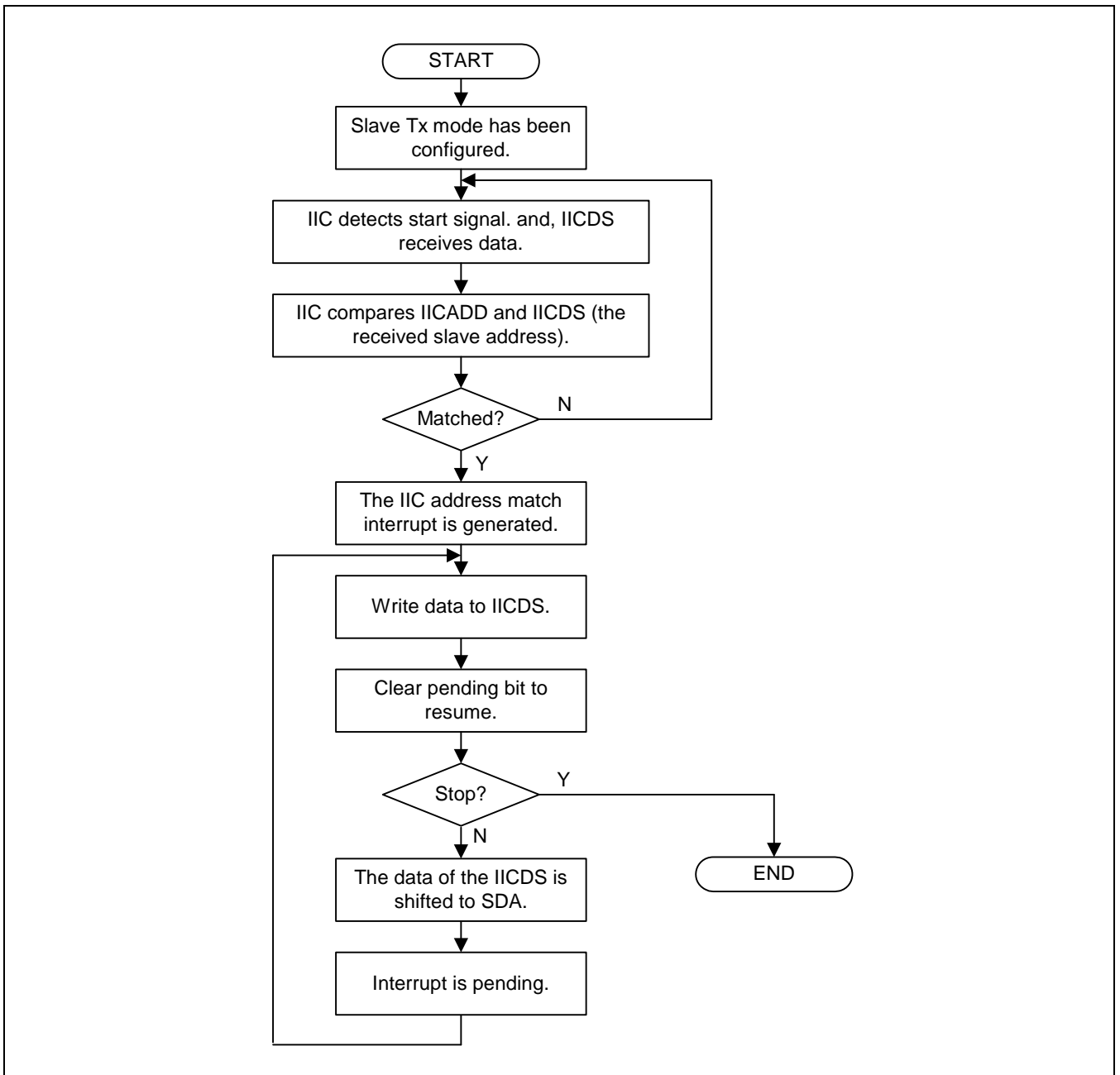


Figure 17-8. Operations for Slave/Transmitter Mode

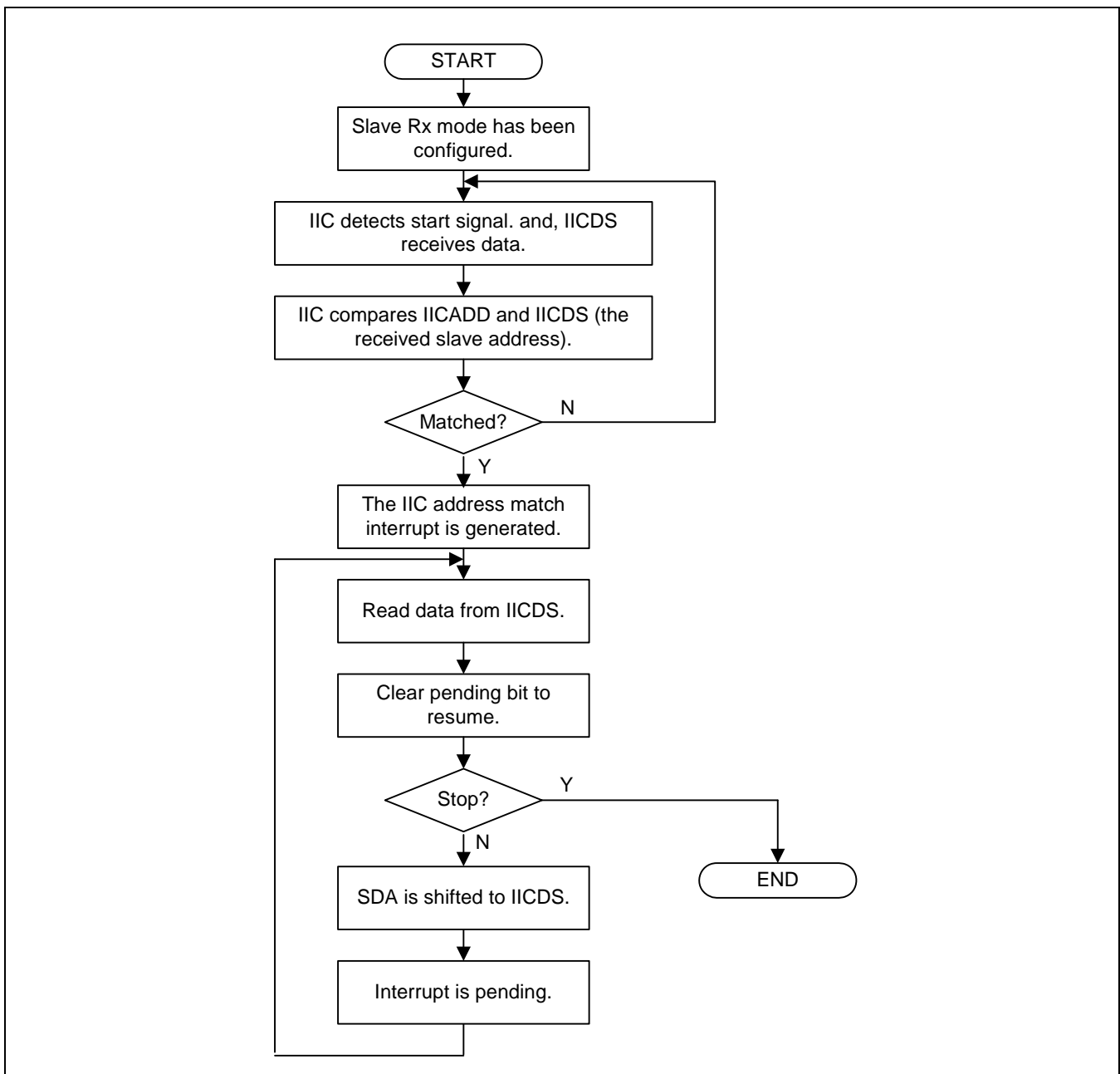


Figure 17-9. Operations for Slave/Receiver Mode

2 IIC-BUS INTERFACE SPECIAL REGISTERS

2.1 MULTI-MASTER IIC-BUS CONTROL (IICCON) REGISTER

Register	Address	R/W	Description	Reset Value
IICCON0	0x54000000	R/W	IIC0-Bus control register	0x0X

IICCON0 IICCON1	Bit	Description	Initial State
Acknowledge generation (note 1)	[7]	IIC-bus acknowledge enable bit. 0 = Disable 1 = Enable In Tx mode, the IICSDA is free in the ack time. In Rx mode, the IICSDA is L in the ack time.	0
Tx clock source selection	[6]	Source clock of IIC-bus transmit clock prescaler selection bit. 0 = IICCLK = PCLK /16 1 = IICCLK = PCLK /512	0
Tx/Rx Interrupt (note 5)	[5]	IIC-Bus Tx/Rx interrupt enable/disable bit. 0 = Disable, 1 = Enable	0
Interrupt pending flag (note 2) (note 3)	[4]	IIC-bus Tx/Rx interrupt pending flag. This bit cannot be written to 1. When this bit is read as 1, the IIC_SCL is tied to L and the IIC is stopped. To resume the operation, clear this bit as 0. 0 = 1) No interrupt pending (when read). 2) Clear pending condition & Resume the operation (when write). 1 = 1) Interrupt is pending (when read) 2) N/A (when write)	0
Transmit clock value (note 4)	[3:0]	IIC-Bus transmit clock prescaler. IIC-Bus transmit clock frequency is determined by this 4-bit prescaler value, according to the following formula: Tx clock = IICCLK/(IICCON[3:0]+1).	Undefined

NOTES:

- Interfacing with EEPROM, the ack generation may be disabled before reading the last data in order to generate the STOP condition in Rx mode.
- An IIC-bus interrupt occurs 1) when a 1-byte transmits or receives operation is completed, 2) when a general call or a slave address match occurs, or 3) if bus arbitration fails.
- To adjust the setup time of SDA before SCL rising edge, IICDS has to be written before clearing the IIC interrupt pending bit.
- IICCLK is determined by IICCON[6].
Tx clock can vary by SCL transition time.
When IICCON[6]=0, IICCON[3:0]=0x0 or 0x1 is not available.
- If the IICCON[5]=0, IICCON[4] does not operate correctly.
So, It is recommended that you should set IICCON[5]=1, although you does not use the IIC interrupt.

2.2 MULTI-MASTER IIC-BUS CONTROL/STATUS (IICSTAT) REGISTER

Register	Address	R/W	Description	Reset Value
IICSTAT0	0x54000004	R/W	IIC0-Bus control/status register	0x0

IICSTAT0 IICSTAT1	Bit	Description	Initial State
Mode selection	[7:6]	IIC-bus master/slave Tx/Rx mode select bits. 00 = Slave receive mode 01 = Slave transmit mode 10 = Master receive mode 11 = Master transmit mode	00
Busy signal status / START STOP condition	[5]	IIC-Bus busy signal status bit. 0 = read) Not busy (when read) write) STOP signal generation 1 = read) Busy (when read) write) START signal generation. The data in IICDS will be transferred automatically just after the start signal.	0
Serial output	[4]	IIC-bus data output enable/disable bit. 0 = Disable Rx/Tx 1 = Enable Rx/Tx	0
Arbitration status flag	[3]	IIC-bus arbitration procedure status flag bit. 0 = Bus arbitration successful 1 = Bus arbitration failed during serial I/O	0
Address-as-slave status flag	[2]	IIC-bus address-as-slave status flag bit. 0 = Cleared after reading of IICSTAT register 1 = Received slave address matches the address value in the IICADD	0
Address zero status flag	[1]	IIC-bus address zero status flag bit. 0 = Cleared when START/STOP condition was detected 1 = Received slave address is 00000000b.	0
Last-received bit status flag	[0]	IIC-bus last-received bit status flag bit. 0 = Last-received bit is 0 (ACK was received). 1 = Last-received bit is 1 (ACK was not received).	0

2.3 MULTI-MASTER IIC-BUS ADDRESS (IICADD) REGISTER

Register	Address	R/W	Description	Reset Value
IICADD0	0x54000008	R/W	IIC0-Bus address register	0xXX

IICADD0 IICADD1	Bit	Description	Initial State
Slave address	[7:0]	7-bit slave address, latched from the IIC-bus. When serial output enable = 0 in the IICSTAT, IICADD is write-enabled. The IICADD value can be read any time, regardless of the current serial output enable bit (IICSTAT) setting. Slave address : [7:1] Not mapped : [0]	XXXXXXXX

2.4 MULTI-MASTER IIC-BUS TRANSMIT/RECEIVE DATA SHIFT (IICDS) REGISTER

Register	Address	R/W	Description	Reset Value
IICDS0	0x5400000C	R/W	IIC0-Bus transmit/receive data shift register	0xXX

IICDS0 IICDS1	Bit	Description	Initial State
Data shift	[7:0]	8-bit data shift register for IIC-bus Tx/Rx operation. When serial output enable = 1 in the IICSTAT, IICDS is write-enabled. The IICDS value can be read any time, regardless of the current serial output enable bit (IICSTAT) setting.	XXXXXXXX

2.5 MULTI-MASTER IIC-BUS LINE CONTROL(IICLC) REGISTER

Register	Address	R/W	Description	Reset Value
IICLC0	0x54000010	R/W	IIC0-Bus multi-master line control register	0x00

IICLC0 IICLC1	Bit	Description	Initial State
Filter enable	[2]	IIC-bus filter enable bit. When SDA port is operating as input, this bit should be High. This filter can prevent from occurred error by a glitch during double of PCLK time. 0 = Filter disable 1 = Filter enable	0
SDA output delay	[1:0]	IIC-Bus SDA line delay length selection bits. SDA line is delayed as following clock time(PCLK) 00 = 0 clocks 01 = 5 clocks 10 = 10 clocks 11 = 15 clocks	00

18 _{2D}

1 INTRODUCTION

2D graphics accelerator supports three types of primitive drawings: Line/Point Drawing, Bit Block Transfer (BitBLT) and Color Expansion (Text Drawing).

Rendering a primitive takes two steps: 1) configure the rendering parameters, such as foreground color and the coordinate data, by setting the drawing-context registers; 2) start the rendering process by setting the relevant command registers accordingly.

1.1 FEATURES

1.1.1 Primitives

- Line/Point Drawing
 - DDA (Digital Differential Analyzer) algorithm
 - Do-Not-Draw Last Point support
- BitBLT
 - Stretched BitBLT support (Nearest sampling)
 - Memory to Screen
 - Host to Screen
- Color Expansion
 - Memory to Screen
 - Host to Screen

1.1.2 Per-pixel Operation

- Maximum 2040*2040 image size
- Window Clipping
- 90°/180°/270°/X-flip/Y-flip Rotation
- Totally 256 3-operand Raster Operation (ROP)
- Alpha Blending
 - Alpha Blending with a user-specified 256-level alpha value
 - Per-pixel Alpha Blending
- 8x8x16-bpp pattern drawing

1.1.3 Data Format

- 16/24/32-bpp color format support
- 11.11 fixed point format for coordinate data

2 COLOR FORMAT CONVERSION

2D supports seven color formats: RGB_565, RGBA_5551, ARGB_1555, RGBA_8888, ARGB_8888, XRGB_8888, and RGBX_8888. The structure of each color format is illustrated in Figure 18-1.

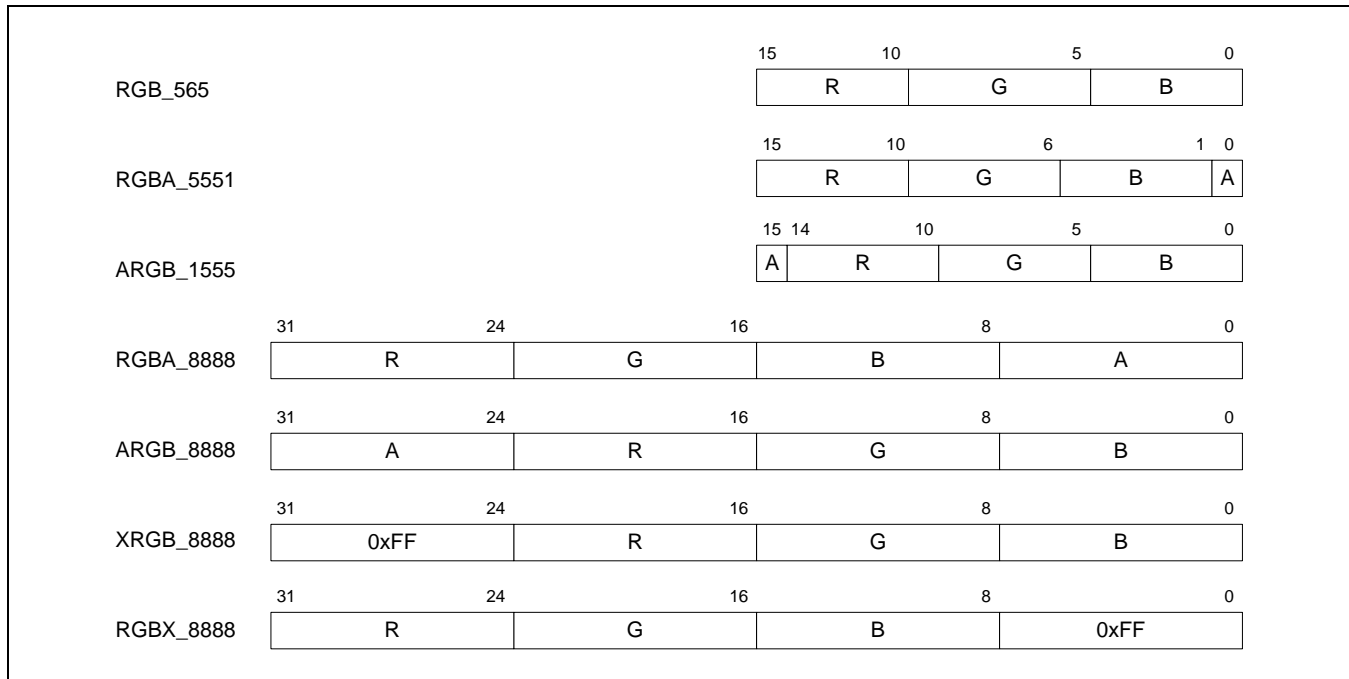


Figure 18-1. Color Format

The internal computations use ARGB_8888 format. All data (source, destination, foreground, background, blue-screen, pattern) are converted to ARGB_8888 format before computation, and the final result are converted to the color format specified by DEST_COLOR_MODE_REG before writing to frame buffer.

When a 16-bit color data is converted to 32-bit, the data of each field is shifted $(8 - x)$ bits to left, where x is the bit-width of the field. The least significant x bits of the new field data are padded with the most significant x bits of the original field data. For example, if the R value in RGB_565 format is 5'b11010, it will be converted to 8'b11010110, with three LSBs padded with three MSBs (3'b110) from the original R value. Note that, the A field in RGBA_5551 and ARGB_1555 only has one bit, so it is converted to either 8'b00000000 or 8'b11111111 (A=1'b1).

When a 32-bit color data is converted to 16-bit, the data of each field is truncated to x bits, where x is the bit-width of the field in the new color format. For example, if the R value in RGBA_8888 format is 8'b11001110, it will be converted to 5'b11001 in the RGB_565 format, with the three LSBs discarded. Note that, if the A field of the 32-bit color data is not 0, the A field in RGBA_5551 and ARGB_1555 will be 1'b1; otherwise, 1'b0.

3 COMMAND FIFO

2D has a 32-word command FIFO. Every data written to command registers and parameter setting registers will be written to the FIFO first. If the graphics engine is idle (no command is being executed), the data will be written to the designated register in one cycle; otherwise, the data will be stored in the FIFO and wait to be dispatched after the current rendering process completes.

It is user's responsibility to make sure that the data written to the FIFO do not exceed its maximum capacity. User can monitor the number of data entries used in FIFO by reading FIFO_USED bits in FIFO_STAT_REG, or ask graphics engine to give an interrupt signal when the number of entries in FIFO reaches a certain level by setting FIFO_INTC_REG and E bit in INTEN_REG.

4 RENDERING PIPELINE

The rendering pipeline of 2D is illustrated in Figure 18-2. The functionality and related registers of each stage are introduced in detail in the rest of this chapter.

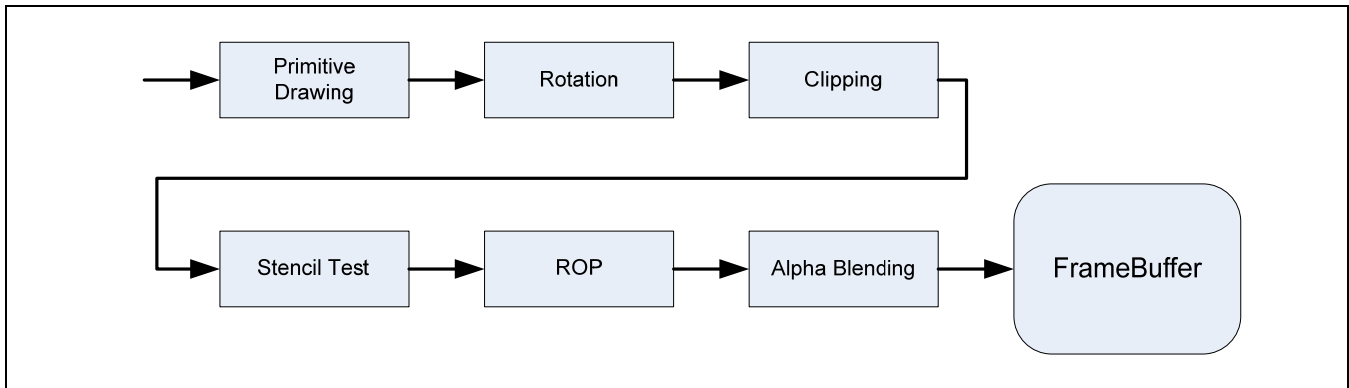


Figure 18-2. 2D Rendering Pipeline

4.1 PRIMITIVE DRAWING

Primitive Drawing determines the pixels to fill, and pass their coordinates to the next stage for further operations.

2D supports three types of primitive drawing: 1) line/point drawing; 2) bit block transfer; 3) color expansion.

4.1.1 Line/Point Drawing

Line Drawing renders a line between the starting point (sx, sy) and the ending point (ex, ey) specified by the user. If the distance of these two points along y axis is greater than that along x axis ($|ey - sy| > |ex - sx|$), the Major Axis should be set to y-axis; otherwise, x-axis. If y-axis is the Major Axis, the y-coordinate of a pixel on the line is increased or decreased by 1 from its preceding pixel, while the x-coordinate increased or decreased by X-INCR (smaller than 1). In the same vein, if x-axis is the Major Axis, the x-coordinate is increased or decreased by 1 while the y-coordinate by Y-INCR. Note that X-INCR and Y-INCR should be given in 2's complement format as shown below.

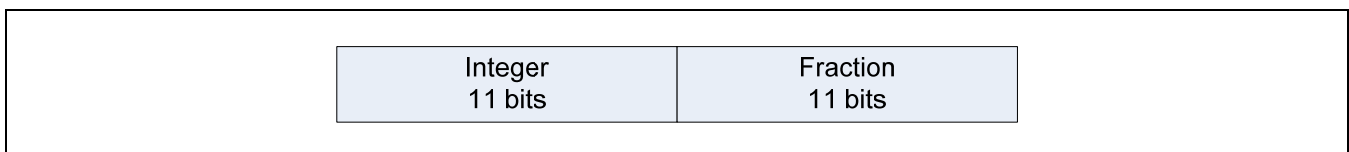


Figure 18-3. Data Format

4.1.2 Related Registers

COORD_0	Coordinate of the starting point
COORD_2	Coordinate of the ending point (ignored if a point is rendered).
X-INCR	X increment value (ignored if x-axis is the Major Axis or a point is rendered). $X-INCR = (ex-sx)/ ey - sy $
Y-INCR	Y increment value (ignored if y-axis is the Major Axis or a point is rendered). $Y-INCR = (ey - sy)/ ex - sx $
FG_COLOR	The color of the drawn line/point
CMD0_REG	Configure the line/point drawing parameters, such as whether the Major-Axis is x-axis or y-axis, whether to draw a line or a point, and so on. Note that writing to this register starts the rendering process.

4.1.3 Bit Block Transfer

A Bit Block Transfer is a transformation of a rectangular block of pixels. Typical applications include copying the off-screen pixel data to frame buffer, combining to bitmap patterns by Raster Operation, changing the dimension of a rectangular image and so on.

4.1.4 On-Screen Rendering

On-screen bit block transfer copies a rectangular block of pixels on screen to another position on the same screen. Note that on-screen rendering has the following restriction:

- 1) SRC_BASE_ADDR = DEST_BASE_ADDR
- 2) SRC_HORI_RES_REG = DEST_HORI_RES_REG
- 3) SRC_COLOR_MODE = DEST_COLOR_MODE
- 4) If the destination block overlaps with the source block, stretch mode and rotation must not be used.

4.1.5 Off-Screen Rendering

Off-screen bit block transfer copies pixel data from off-screen memory to frame buffer. Color space conversion is performed automatically if SRC_COLOR_MODE differs from DEST_COLOR_MODE. YUV 4:2:2 input is also supported.

4.1.6 Transparent Mode

2D can render image in Transparent Mode. In this mode, the pixels having the same color with background color (BG_COLOR) are discarded, resulting in a transparent effect. The function of Transparent Mode is illustrated in the images below, in which the BG_COLOR is set to white.

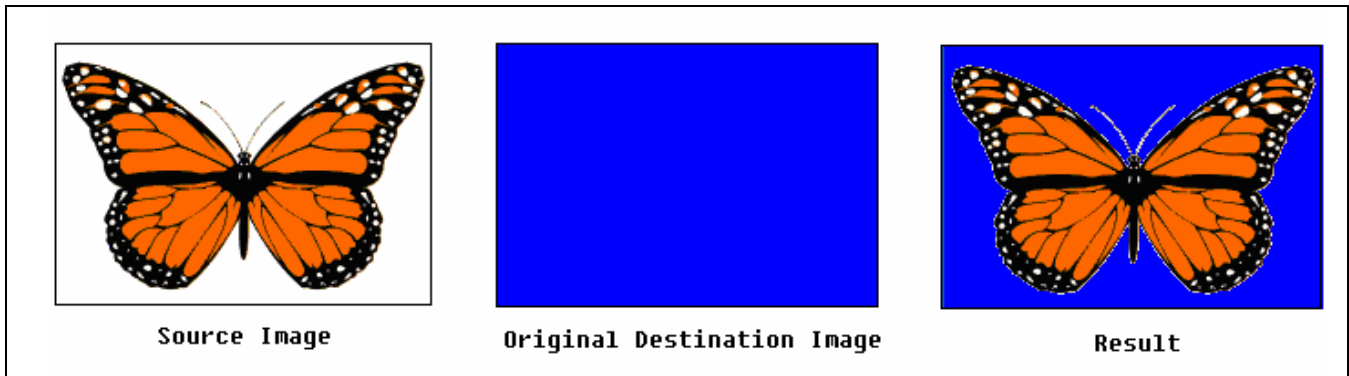


Figure 18-4. Transparent Mode

2D supports both host-to-screen mode and memory-to-screen mode of BLT.

4.1.7 Known Issue

In the stretch mode (when source image is scaled), the source coordinates are always rounded to the nearest. This rounding may cause some problem in the boundary when users try to scale the image by integer times. For example, if user wants to scale the image by four times, and set the X_INCR as 0.25, the source coordinates in sequence are 0, 0.25, 0.50, 0.75, 1.0 and so on. However, when the current source coordinate is 0.75, it is rounded to the nearest integer, which is 1, so the first pixel only repeats three times instead of four times. Such problem may not be an issue when both the source and destination are big pictures or when the scale is not an integer, but when it comes to small icons or when user wants every pixel to repeat exactly integer times, an obvious error will occur.

4.1.8 Related Registers

COORD_0	Coordinate of the leftmost topmost coordinate of the source image
COORD_1	Coordinate of the rightmost bottommost coordinate of the source image
COORD_2	Coordinate of the leftmost topmost coordinate of the destination image
COORD_3	Coordinate of the rightmost bottommost coordinate of the destination image
X-INCR	X increment value of the source image coordinates. If it is greater than 1, the image is shrunk horizontally; smaller than 1, stretched. This value is ignored when S bit in CMDR_1 is disabled or host-to-screen mode is used. $X_INCR = (COORD1_X - COORD0_X) / (COORD3_X - COORD2_X)$
Y-INCR	Y increment value of the source image coordinates. If it is greater than 1, the image is shrunk vertically; smaller than 1, stretched. This value is ignored when S bit in CMDR_1 is disabled or host-to-screen mode is used. $Y_INCR = (COORD1_Y - COORD0_Y) / (COORD3_Y - COORD2_Y)$
SRC_BASE_ADDR	The base address of the source image (when memory-to-screen mode is used).
DEST_BASE_ADDR	The base address of the destination image (usually the frame buffer base address)
SRC_HORI_RES_REG	The horizontal resolution of the source image
SRC_VERT_RES_REG	The vertical resolution of the source image (used in YUV mode)
SC_HORI_RES_REG	The screen resolution
SRC_COLOR_MODE	The color mode of the source image
DEST_COLOR_MODE	The color mode of the destination image
BG_COLOR	Background color, used in the Transparent Mode and Blue Screen Mode.
BS_COLOR	Blue screen color, used in the Blue Screen Mode.
ROP_REG	Enable/disable Transparent Mode or Blue Screen Mode.
CMD1_REG	Writing to this register starts the rendering process of memory-to-screen Bit Block Transfer. If S bit is set, the image will be shrunk or stretched, depending on the values of X-INCR and Y-INCR.
CMD2_REG / CMD3_REG	The host provides the source image data through these two command registers. When the host writes the first 32-bit data into CMD2_REG, the rendering process starts in the host-to-screen mode. Then the host should provide the rest of data by writing into CMD3_REG continuously. Note that the data written to CMD2_REG/CMD3_REG each time represents only one pixel, regardless of the source color format. If the source color format is 16-bpp (e.g., RGB565), the upper 16 bits of the data are ignored.

4.1.9 Color Expansion (Font Drawing)

Color Expansion expands the monochrome color to either background (BG_COLOR) or foreground (FG_COLOR) color. Each bit of the source data presents a pixel, with '1' indicating the foreground color and '0' the background color. The bit sequence is from MSB to LSB. The MSB of the first data corresponds to the leftmost topmost pixel of the destination image. Figure 18-5 serves as a good illustration of the function and data type of Color Expansion. In this example, the foreground color is blue and background white, and the destination image is 16-pixel wide.

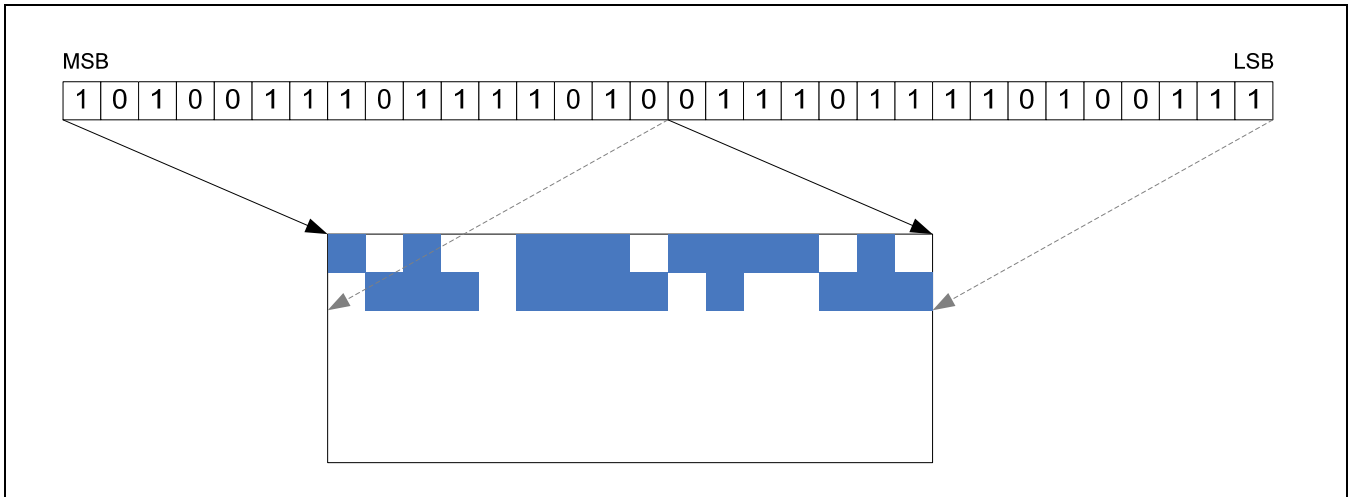


Figure 18-5. Color Expansion

2D can render Color Expansion image in Transparent Mode. In this mode, the pixels with background color (the corresponding bits are '0's) are discarded, resulting in a transparent effect. The transparent effect on Color Expansion is illustrated in Figure 18-6, in which the lower three lines are drawn with Transparent Mode enabled while the upper three disabled. Note that the background color is set to white and the foreground black.

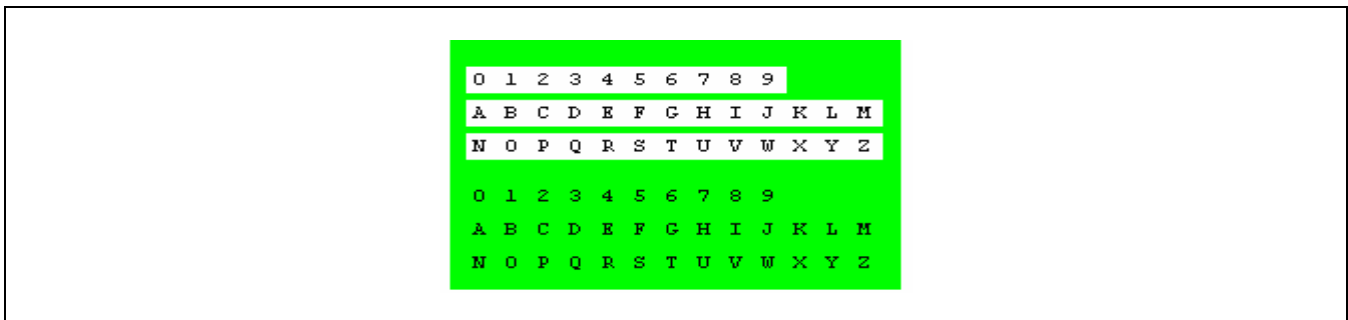


Figure 18-6. Font Drawing with Transparent Mode

2D supports both host-to-screen mode and memory-to-screen mode of Color Expansion.

4.1.10 Related Registers

COORD_0	Coordinate of the leftmost topmost coordinate of the destination window
COORD_1	Coordinate of the rightmost bottommost coordinate of the destination window
FG_COLOR	Foreground Color
BG_COLOR	Background Color
ROP_REG	Enable/disable Transparent Mode
CMD7_REG	The base address of the font data. Note that writing to this register starts the rendering process in the memory-to-screen mode.
CMD4_REG/CMD5_REG	The host provides the font data through these two command registers. When the host writes the first 32-bit data into CMD4_REG, the rendering process starts in the host-to-screen mode. Then the host should provide the rest of data by writing them into CMD5_REG continuously.

4.2 ROTATION

The pixels can be rotated around the reference point (ox, oy) by 90/180/270 degree clockwise or perform a X-axis/Y-axis flip around the horizontal or vertical line on which (ox, oy) lies. The effects of all rotation options are summarized in the following table and illustrated in Figure 18-7.

4.2.1 Related Registers

ROT_OC_REG	Coordinate of the rotation reference point
ROTATE_REG	Rotation mode configuration

4.2.2 Rotation Effect

	0°	90°	180°	270°	X-flip	Y-flip
x	dcx	-dcy + (ox+oy)	-dcx + 2ox	dcy + (ox-oy)	dcx	-dcx + 2ox
y	dcy	dcx - (ox-oy)	-dcy + 2oy	-dcx + (ox+oy)	-dcy + 2oy	dcy

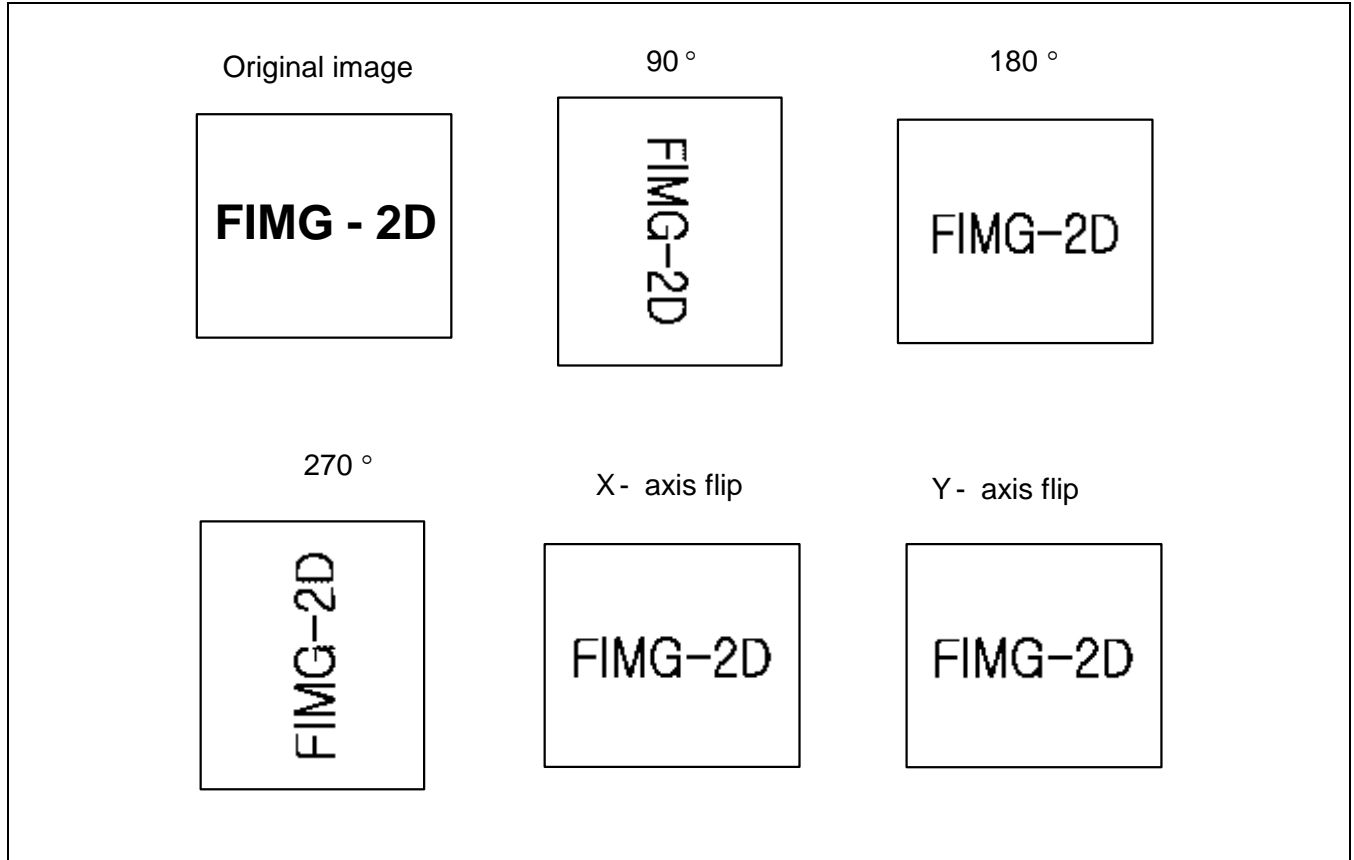


Figure 18-7. Rotation Example

4.3 CLIPPING

Clipping discards the pixels (after rotation) outside the clipping window. The discarded pixels will not go through the rest of rendering pipelines.

Note that the clipping windows must reside totally inside the screen. Setting the clipping window the same size with the screen will disable the clipping effect, and a clipping window bigger than the screen size is not allowed.

4.3.1 Related Registers

CW_LT_REG	Coordinate of the leftmost topmost point of the clipping window
CW_RB_REG	Coordinate of the rightmost bottommost point of the clipping window

4.4 STENCIL TEST

The Stencil Test conditionally discards a pixel based on the outcome of a comparison between the color value of this pixel of the source image and the DR(min)/DR(max) values. If each field (R, G, B, A) of the color value falls in the range of [DR(min), DR(max)], this pixel is passed to the next stage; otherwise, discarded. User can disable the stencil test on a specific field by clearing the corresponding bits in COLORKEY_CNTL. Note that each field of DR_MIN and DR_MAX is 8-bit wide, regardless of the source color mode setting.

4.4.1 Related Registers

COLORKEY_CNTL	Stencil Test configurations, such as enable/disable the test and so on.
COLORKEY_DR_MIN	Set the DR(min) value for each field
COLORKEY_DR_MAX	Set the DR(max) value for each field

4.5 RASTER OPERATION

Raster Operation performs Boolean operations on three operands: source, destination and third operand according to the 8-bit ROP value specified by the user. The truth table of ROP is given in the following table.

Source	Destination	Third Operand	ROP Value
0	0	0	Bit0
0	0	1	Bit1
0	1	0	Bit2
0	1	1	Bit3
1	0	0	Bit4
1	0	1	Bit5
1	1	0	Bit6
1	1	1	Bit7

The third operand can be pattern or foreground color, configurable by the OS bit in the ROP_REG.

Pattern is a user-specified 8x8x16-bpp image; the pattern data should be given in RGB565 format. The following equation is used to calculate the pattern index of pixel (x, y):

$$\text{index} = ((\text{patternOffsetY} + y) \& 0x7) \ll 3 + ((\text{patternOffsetX} + x) \& 0x7),$$

where patternOffsetY and patternOffsetX are the offset value specified in register PATOFF_REG.

Here are some examples on how to use the ROP value to perform the operations:

1. Final Data = Source. Only the Source data matter, so ROP Value = "11110000".
2. Final Data = Destination. Only the Destination data matter, so ROP Value = "11001100".
3. Final Data = Pattern. Only the Pattern data matter, so ROP Value = "10101010".
4. Final Data = Source AND Destination. ROP Value = "11110000" & "11001100" = "11000000".
5. Final Data = Source OR Pattern. ROP Value = "11110000" | "10101010" = "11111010".

Note that the Raster Operation only applies on R, G, B fields of the color data; the A field will not be affected.

4.5.1 Related Registers

PATTERN_REG[0:31]	Pattern data
PATOFF_REG	Pattern offset X, Y
ROP_REG	ROP configurations and ROP Value

4.6 ALPHA BLENDING

Alpha Blending combines the source color and the destination color in the frame buffer to get the new destination color.

The conventional alpha blending equation is: $\text{final data} = \text{src} * \text{alpha} + \text{dest} * (1.0 - \text{alpha})$. 2D uses 8-bit integer to represent the alpha value, with 0 indicating 1/256 and 255 indicating 1.0. The equation of converting 8-bit ALPHA value to the actual fractional alpha value is: $\text{alpha} = (\text{ALPHA}+1) / 256$.

The internal computation of alpha blending and fading is as follows:

User-specified alpha value: ALPHA (given by ALPHA_REG, from 0 to 255)

[Alpha Blending]
 $\text{data} = (\text{source} * (\text{ALPHA}+1) + \text{destination} * (255-\text{ALPHA})) \gg 8$

[Fading]
 $\text{data} = ((\text{source} * (\text{ALPHA}+1)) \gg 8) + \text{fading offset}$

Per-pixel alpha blending: ALPHA (given by the source image, from 0 to 255)

[Alpha Blending]
 $\text{data} = (\text{source} * (\text{ALPHA}+1) + \text{destination} * (255-\text{ALPHA})) \gg 8$

[Fading]
 $\text{data} = ((\text{source} * (\text{ALPHA}+1)) \gg 8) + \text{fading offset}$

4.6.1 Related Registers

ROP_REG	Alpha blending configurations: alpha blending disable/enable, per-pixel alpha blending disable/enable, fading disable/enable.
ALPHA_REG	Alpha value and fading value.

5 REGISTER DESCRIPTIONS

Register	Offset	R/W	Description	Reset Value
General Registers				
CONTROL_REG	0x0000	W	Control register.	0x0000_0000
INTEN_REG	0x0004	R/W	Interrupt Enable register.	0x0000_0000
FIFO_INTC_REG	0x0008	R/W	Interrupt Control register.	0x0000_0018
INTC_PEND_REG	0x000C	R/W	Interrupt Control Pending register.	0x0000_0000
FIFO_STAT_REG	0x0010	R	Command FIFO Status register.	0x0000_0600
Command Registers				
CMD0_REG	0x0100	W	Command register for Line/Point drawing.	–
CMD1_REG	0x0104	W	Command register for BitBLT.	–
CMD2_REG	0x0108	W	Command register for Host to Screen Bitblt transfer start.	–
CMD3_REG	0x010C	W	Command register for Host to Screen Bitblt transfer continue.	–
CMD4_REG	0x0110	W	Command register for Color Expansion. (Host to Screen, Font Start)	–
CMD5_REG	0x0114	W	Command register for Color Expansion. (Host to Screen, Font Continue)	–
CMD6_REG	0x0118	W	Reserved	–
CMD7_REG	0x011C	W	Command register for Color Expansion. (Memory to Screen)	–
Parameter Setting Registers				
<u>Resolution</u>				
SRC_RES_REG	0x0200	R/W	Source Image Resolution	0x0000_0000
SRC_HORI_RES_REG	0x0204	R/W	Source Image Horizontal Resolution	0x0000_0000
SRC_VERT_RES_REG	0x0208	R/W	Source Image Vertical Resolution	0x0000_0000
SC_RES_REG	0x0210	R/W	Screen Resolution	0x0000_0000
SC_HORI_RES_REG	0x0214	R/W	Screen Horizontal Resolution	0x0000_0000
SC_VERT_RES_REG	0x0218	R/W	Screen Vertical Resolution	0x0000_0000
<u>Clipping Window</u>				
CW_LT_REG	0x0220	R/W	LeftTop coordinates of Clip Window.	0x0000_0000
CW_LT_X_REG	0x0224	R/W	Left X coordinate of Clip Window.	0x0000_0000
CW_LT_Y_REG	0x0228	R/W	Top Y coordinate of Clip Window.	0x0000_0000
CW_RB_REG	0x0230	R/W	RightBottom coordinate of Clip Window.	0x0000_0000
CW_RB_X_REG	0x0234	R/W	Right X coordinate of Clip Window.	0x0000_0000
CW_RB_Y_REG	0x0238	R/W	Bottom Y coordinate of Clip Window.	0x0000_0000
<u>Coordinates</u>				
COORD0_REG	0x0300	R/W	Coordinates 0 register.	0x0000_0000
COORD0_X_REG	0x0304	R/W	X coordinate of Coordinates 0.	0x0000_0000
COORD0_Y_REG	0x0308	R/W	Y coordinate of Coordinates 0.	0x0000_0000
COORD1_REG	0x0310	R/W	Coordinates 1 register.	0x0000_0000
COORD1_X_REG	0x0314	R/W	X coordinate of Coordinates 1.	0x0000_0000

Register	Offset	R/W	Description	Reset Value
COORD1_Y_REG	0x0318	R/W	Y coordinate of Coordinates 1.	0x0000_0000
COORD2_REG	0x0320	R/W	Coordinates 2 register.	0x0000_0000
COORD2_X_REG	0x0324	R/W	X coordinate of Coordinates 2.	0x0000_0000
COORD2_Y_REG	0x0328	R/W	Y coordinate of Coordinates 2.	0x0000_0000
COORD3_REG	0x0330	R/W	Coordinates 3 register.	0x0000_0000
COORD3_X_REG	0x0334	R/W	X coordinate of Coordinates 3.	0x0000_0000
COORD3_Y_REG	0x0338	R/W	Y coordinate of Coordinates 3.	0x0000_0000
<u>Rotation</u>				
ROT_OC_REG	0x0340	R/W	Rotation Origin Coordinates.	0x0000_0000
ROT_OC_X_REG	0x0344	R/W	X coordinate of Rotation Origin Coordinates.	0x0000_0000
ROT_OC_Y_REG	0x0348	R/W	Y coordinate of Rotation Origin Coordinates.	0x0000_0000
ROTATE_REG	0x034C	R/W	Rotation Mode register.	0x0000_0001
<u>X,Y Increment Setting</u>				
X_INCR_REG	0x0400	R/W	X Increment register.	0x0000_0000
Y_INCR_REG	0x0404	R/W	Y Increment register.	0x0000_0000
<u>ROP & Alpha Setting</u>				
ROP_REG	0x0410	R/W	Raster Operation register.	0x0000_0000
ALPHA_REG	0x0420	R/W	Alpha value, Fading offset.	0x0000_0000
<u>Color</u>				
FG_COLOR_REG	0x0500	R/W	Foreground Color / Alpha register.	0x0000_0000
BG_COLOR_REG	0x0504	R/W	Background Color register	0x0000_0000
BS_COLOR_REG	0x0508	R/W	Blue Screen Color register	0x0000_0000
SRC_COLOR_MODE_REG	0x0510	R/W	Src Image Color Mode register.	0x0000_0000
DEST_COLOR_MODE_REG	0x0514	R/W	Dest Image Color Mode register	0x0000_0000
<u>Pattern</u>				
PATTERN_REG[0:31]	0x0600 ~0x067C	R/W	Pattern memory.	0x0000_0000
PATOFF_REG	0x0700	R/W	Pattern Offset XY register.	0x0000_0000
PATOFF_X_REG	0x0704	R/W	Pattern Offset X register.	0x0000_0000
PATOFF_Y_REG	0x0708	R/W	Pattern Offset Y register.	0x0000_0000
<u>Stencil Test</u>				
STENCIL_CNTL_REG	0x0720	R/W	Stencil control register	0x0000_0000
STENCIL_DR_MIN_REG	0x0724	W	Stencil decision reference MIN register	0x0000_0000
STENCIL_DR_MAX_REG	0x0728	W	Stencil decision reference MAX register	0xFFFF_FFFF
<u>Image Base Address</u>				
SRC_BASE_ADDR_REG	0x0730	R/W	Source Image Base Address register	0x0000_0000
DEST_BASE_ADDR_REG	0x0734	R/W	Dest Image Base Address register (in most cases, frame buffer address)	0x0000_0000

5.1 GENERAL REGISTERS

5.1.1 Control Register (CONTROL_REG)

Register	Address	R/W	Description	Reset Value
CONTROL_REG	0x4D408000	W	Control register	0x0

Field	Bit	Description	Initial State
Reserved	[31:1]	–	0x0
R	[0]	Software Reset Write to this bit results in a one-cycle reset signal to FIMG2D graphics engine. Every command register and parameter setting register will be assigned the “Reset Value”, and the command FIFO will be cleared.	0x0

5.1.2 Interrupt Enable Register (INTEN_REG)

Register	Address	R/W	Description	Reset Value
INTEN_REG	0x4D408004	R/W	Interrupt Enable register	0x0

Field	Bit	Description	Initial State
Reserved	[31:11]	–	0x0
CCF	[10]	Current Command Finished interrupt enable. If this bit is set, when the graphics engine finishes the execution of current command, an interrupt occurs, and the INTP_CMD_FIN flag in INTC_PEND_REG will be set.	
ACF	[9]	All Commands Finished interrupt enable. If this bit is set, when the graphics engine finishes the execution of all commands in the command FIFO, an interrupt occurs, and the INTP_ALL_FIN flag in INTC_PEND_REG will be set.	0x0
FIFO_FULL	[8]	Command FIFO Full interrupt enable. If this bit is set, when command FIFO is full (32 entries), an interrupt occurs, and the INTP_FULL flag in the interrupt pending register (INTC_PEND_REG) will be set.	0x0
Reserved	[7:1]	–	0x0
FIFO_INT_E	[0]	If this bit is set, when the number of entries occupied in command FIFO is greater or equal to FIFO_INT_LEVEL (in FIFO_INTC_REG), an interrupt occurs, and the INTP_FIFO_LEVEL flag in the interrupt pending register (INTC_PEND_REG) will be set.	0x0

5.1.3 FIFO Interrupt Control Register (FIFO_INTC_REG)

Register	Address	R/W	Description	Reset Value
FIFO_INTC_REG	0x4D408008	R/W	FIFO Interrupt Control	0x18

Field	Bit	Description	Initial State
Reserved	[31:6]	–	0x0
FIFO_INT_LEVEL	[5:0]	If FIFO_INT_E (in INTEN_REG) is set, when FIFO_USED (in FIFO_STAT_REG) is greater or equal to FIFO_INT_LEVEL, an interrupt occurs.	0x18

5.1.4 Interrupt Pending Register (INTC_PEND_REG)

Register	Address	R/W	Description	Reset Value
INTC_PEND_REG	0x4D40800C	R/W	Interrupt Pending Register	0x0

Field	Bit	Description	Initial State
Reserved	[31]	Should be set '1'	–
Reserved	[30:11]	Reserved	–
INTP_CMD_FIN	[10]	Current Command Finished interrupt flag. Writing '1' to this bit clears this flag.	–
INTP_ALL_FIN	[9]	All Commands Finished interrupt flag. Writing '1' to this bit clears this flag.	–
INTP_FULL	[8]	Command FIFO Full interrupt flag. Writing '1' to this bit clears this flag.	–
Reserved	[7:1]	–	–
INTP_FIFO_LEVEL	[0]	FIFO_USED reaches FIFO_INT_LEVEL interrupt flag. Writing '1' to this bit clears this flag.	–

5.1.5 FIFO Statue Register (FIFO_STAT_REG)

Register	Address	R/W	Description	Reset Value
FIFO_STAT_REG	0x4D408010	R	FIFO Status Register	0x600

Field	Bit	Description	Initial State
Reserved	[31:11]	–	–
CMD_FIN	[10]	1 = The graphics engine finishes the execution of current command. 0 = In the middle of rendering process.	0x1
ALL_FIN	[9]	1 = Graphics engine is in idle state. The graphics engine finishes the execution of all commands in the command FIFO. Note that ALL_FIN = CMD_FIN && (FIFO_USED==0). 0 = In the middle of rendering process, or FIFO_USED is greater than 0.	0x1
FIFO_OVERFLOW	[8]	1 = Command FIFO is full, no more commands can be handled 0 = Command FIFO is not full.	0x0
Reserved	[7]	–	–
FIFO_USED	[6:1]	The number of entries occupied in command FIFO.	0x0
FIFO_LEVEL_INT	[0]	1 = FIFO_USED is greater or equal to FIFO_INT_LEVEL 0 = FIFO_USED is smaller than FIFO_INT_LEVEL	0x0

5.2 COMMAND REGISTERS

5.2.1 LINE Drawing Register (CMD0_REG)

Register	Address	R/W	Description	Reset Value
CMD0_REG	0x4D408100	W	Line Drawing Register	0x0

Field	Bit	Description	Initial State
Reserved	[31:10]	–	–
D	[9]	0 = Draw Last Point 1 = Do-not-Draw Last Point.	–
M	[8]	0 = Major axis is Y. 1 = Major axis is X.	–
Reserved	[7:2]	–	–
L	[1]	0 = Nothing. 1 = Line Drawing.	–
P	[0]	0 = Nothing. 1 = Point Drawing.	–

5.2.2 BitBLT Register (CMD1_REG)

Register	Address	R/W	Description	Reset Value
CMD1_REG	0x4D408104	W	BitBLT Register	0x0

Field	Bit	Description	Initial State
Reserved	[31:2]	–	–
S	[1]	0 = Nothing 1 = Stretch BitBLT	–
N	[0]	0 = Nothing 1 = Normal BitBLT	–

5.2.3 HOST Screen Start BitBLT Register (CMD2_REG)

Register	Address	R/W	Description	Reset Value
CMD2_REG	0x4D408108	W	Host to Screen Start BitBLT Register	0x0

Field	Bit	Description	Initial State
Data	[31:0]	BitBLT data (Start) Note that the data written to this register represents only one pixel, regardless of the source color mode. If the source color mode is 16-bpp (e.g., RGB565), the upper 16 bits of the data are ignored.	–

5.2.4 Host to Screen Continue BitBLT Register (CMD3_REG)

Register	Address	R/W	Description	Reset Value
CMD3_REG	0x4D40810C	W	Host to Screen Continue BitBLT Register	0x0

Field	Bit	Description	Initial State
Data	[31:0]	BitBLT data (Continue) Note that the data written to this register represents only one pixel, regardless of the source color mode. If the source color mode is 16-bpp (e.g., RGB565), the upper 16 bits of the data are ignored.	–

5.2.5 Host to Screen Start Color Expansion Register (CMD4_REG)

Register	Address	R/W	Description	Reset Value
CMD4_REG	0x4D408110	W	Host to Screen Start Color Expansion Register	0x0

Field	Bit	Description	Initial State
Data	[31:0]	Color Expansion Data (Start)	–

5.2.6 Host to Screen Continue Color Expansion Register (CMD5_REG)

Register	Address	R/W	Description	Reset Value
CMD5_REG	0x4D408114	W	Host to Screen Continue Color Expansion Register	0x0

Field	Bit	Description	Initial State
Data	[31:0]	Color Expansion Data (Continue)	–

5.2.7 Memory to Screen Color Expansion Register (CMD7_REG)

Register	Address	R/W	Description	Reset Value
CMD7_REG	0x4D40811C	W	Memory to Screen Color Expansion Register	0x0

Field	Bit	Description	Initial State
Memory Address	[31:0]	Bitmap data base address (used in memory-to-screen mode, should be word-aligned).	–

5.3 PARAMETER SETTING REGISTERS

Resolution

5.3.1 Source Image Resolution Register (SRC_RES_REG)

Register	Address	R/W	Description	Reset Value
SRC_RES_REG	0x4D408200	R/W	Source Image Resolution Register	0x0

Field	Bit	Description	Initial State
Reserved	[31:27]		0x0
VertRes	[26:16]	Vertical resolution of source image. Range: 1 ~ 2040	0x0
Reserved	[15:11]		0x0
HoriRes	[10:0]	Horizontal resolution of source image. Range: 1 ~ 2040. Note that in YUV mode, HoriRes must be an even number.	0x0

5.3.2 Source Image Horizontal Resolution Register (SRC_HORI_RES_REG)

Register	Address	R/W	Description	Reset Value
SRC_HORI_RES_REG	0x4D408204	R/W	Source Image Horizontal Resolution Register	0x0

Field	Bit	Description	Initial State
Reserved	[31:1]	–	0x0
HoriRes	[10:0]	Horizontal resolution of source image. Range: 1 ~ 2040. Note that in YUV mode, HoriRes must be an even number.	0x0

5.3.3 Source Image Horizontal Resolution Register (SRC_HORI_RES_REG)

Register	Address	R/W	Description	Reset Value
SRC_HORI_RES_REG	0x4D408204	R/W	Source Image Horizontal Resolution Register	0x0

Field	Bit	Description	Initial State
Reserved	[31:1]	–	0x0
VertRes	[10:0]	Vertical resolution of source image. Range: 1 ~ 2040	0x0

5.3.4 Screen Resolution Register (SC_RES_REG)

Register	Address	R/W	Description	Reset Value
SC_RES_REG	0x4D408210	R/W	Screen Resolution Register	0x0

Field	Bit	Description	Initial State
Reserved	[31:27]	–	0x0
VertRes	[26:16]	Vertical resolution of the screen. Range: 1 ~ 2040	0x0
Reserved	[15:11]	–	0x0
HoriRes	[10:0]	Horizontal resolution of the screen. Range: 1 ~ 2040	0x0

5.3.5 Screen Horizontal Resolution Register (SC_HORI_RES_REG)

Register	Address	R/W	Description	Reset Value
SC_HORI_RES_REG	0x4D408214	R/W	Screen Horizontal Resolution Register	0x0

Field	Bit	Description	Initial State
Reserved	[31:11]	–	0x0
HoriRes	[10:0]	Horizontal resolution of the screen. Range: 1 ~ 2040	0x0

5.3.6 Screen Vertical Resolution Register (SC_VERI_RES_REG)

Register	Address	R/W	Description	Reset Value
SC_VERI_RES_REG	0x4D408218	R/W	Screen Vertical Resolution Register	0x0

Field	Bit	Description	Initial State
Reserved	[31:1]	–	0x0
VeriRes	[10:0]	Vertical resolution of the screen. Range: 1 ~ 2040	0x0

Clipping Window

5.3.7 LeftTop Clipping Window Register (CW_LT_REG)

Register	Address	R/W	Description	Reset Value
CW_LT_REG	0x4D408220	R/W	LeftTop Clipping Window Register	0x0

Field	Bit	Description	Initial State
Reserved	[31:27]	–	0x0
TopCW_Y	[26:16]	Top Y Clipping Window Requirement: TopCW_Y < BottomCW_Y	0x0
Reserved	[15:11]	–	0x0
LeftCW_X	[10:0]	Left X Coordinate of Clipping Window. Requirement: LeftCW_X < RightCW_X	0x0

5.3.8 Left X Clipping Window Register (CW_LT_X_REG)

Register	Address	R/W	Description	Reset Value
CW_LT_X_REG	0x4D408224	R/W	Left X Clipping Window Register	0x0

Field	Bit	Description	Initial State
Reserved	[31:11]	–	0x0
LeftCW_X	[10:0]	Left X Clipping Window Requirement: LeftCW_X < RightCW_X	0x0

5.3.9 Top Y Clipping Window Register (CW_LT_Y_REG)

Register	Address	R/W	Description	Reset Value
CW_LT_Y_REG	0x4D408228	R/W	Top Y Clipping Window Register	0x0

Field	Bit	Description	Initial State
Reserved	[31:11]	–	0x0
TopCW_Y	[10:0]	Top Y Clipping Window Requirement: TopCW_Y < BottomCW_Y	0x0

5.3.10 RightBottom Clipping Window Register (CW_RB_REG)

Register	Address	R/W	Description	Reset Value
CW_RB_REG	0x4D408230	R/W	RightBottom Clipping Window Register	0x0

Field	Bit	Description	Initial State
Reserved	[31:27]	–	0x0
BottomCW_Y	[26:16]	Bottom Y Clipping Window Requirement: BottomCW_Y < VeriRes (SC_VERI_RES_REG)	0x0
Reserved	[15:11]	–	0x0
RightCW_X	[10:0]	Right X Clipping Window Requirement: RightCW_X < HoriRes (SC_HORI_RES_REG)	0x0

5.3.11 Right X Clipping Window Register (CW_RB_X_REG)

Register	Address	R/W	Description	Reset Value
CW_RB_X_REG	0x4D408234	R/W	Right X Clipping Window Register	0x0

Field	Bit	Description	Initial State
Reserved	[31:11]	–	0x0
RightCW_X	[10:0]	Right X Clipping Window Requirement: RightCW_X < HoriRes (SC_HORI_RES_REG)	0x0

5.3.12 Bottom Y Clipping Window Register (CW_RB_Y_REG)

Register	Address	R/W	Description	Reset Value
CW_RB_Y_REG	0x4D408238	R/W	Bottom Y Clipping Window Register	0x0

Field	Bit	Description	Initial State
Reserved	[31:11]	–	0x0
BottomCW_Y	[10:0]	Bottom Y Clipping Window Requirement: BottomCW_Y < VeriRes (SC_VERI_RES_REG)	0x0

Coordinates

5.3.13 COORDINATE_0 Register (COORD0_REG)

Register	Address	R/W	Description	Reset Value
COORD0_REG	0x4D408300	R/W	Coordinate_0 Register	0x0

Field	Bit	Description	Initial State
Reserved	[31:27]	–	0x0
Y	[26:16]	Coordinate_0 Y Range: 0 ~ 2039	0x0
Reserved	[15:11]	–	0x0
X	[10:0]	Coordinate_0 X Range: 0 ~ 2039	0x0

5.3.14 COORDINATE_0 X Register (COORD0_X_REG)

Register	Address	R/W	Description	Reset Value
COORD0_X_REG	0x4D408304	R/W	Coordinate_0 X Register	0x0

Field	Bit	Description	Initial State
Reserved	[31:11]	–	0x0
COORD0_X	[10:0]	Coordinate_0 X Range: 0 ~ 2039	0x0

5.3.15 COORDINATE_0 Y Register (COORD0_Y_REG)

Register	Address	R/W	Description	Reset Value
COORD0_Y_REG	0x4D408308	R/W	Coordinate_0 Y Register	0x0

Field	Bit	Description	Initial State
Reserved	[31:11]	–	0x0
COORD0_Y	[10:0]	Coordinate_0 Y Range: 0 ~ 2039	0x0

5.3.16 COORDINATE_1 Register (COORD1_REG)

Register	Address	R/W	Description	Reset Value
COORD1_REG	0x4D408310	R/W	Coordinate_1 Register	0x0

Field	Bit	Description	Initial State
Reserved	[31:27]	–	0x0
Y	[26:16]	Coordinate_1 Y Range: 0 ~ 2039	0x0
Reserved	[15:11]	–	0x0
X	[10:0]	Coordinate_1 X Range: 0 ~ 2039	0x0

5.3.17 COORDINATE_1 X Register (COORD1_X_REG)

Register	Address	R/W	Description	Reset Value
COORD1_X_REG	0x4D408314	R/W	Coordinate_1 X Register	0x0

Field	Bit	Description	Initial State
Reserved	[31:11]	–	0x0
COORD1_X	[10:0]	Coordinate_1 X Range: 0 ~ 2039	0x0

5.3.18 COORDINATE_1 Y Register (COORD1_Y_REG)

Register	Address	R/W	Description	Reset Value
COORD1_Y_REG	0x4D408318	R/W	Coordinate_1 Y Register	0x0

Field	Bit	Description	Initial State
Reserved	[31:11]	–	0x0
COORD1_Y	[10:0]	Coordinate_1 Y Range: 0 ~ 2039	0x0

5.3.19 COORDINATE_2 Register (COORD2_REG)

Register	Address	R/W	Description	Reset Value
COORD2_REG	0x4D408320	R/W	Coordinate_2 Register	0x0

Field	Bit	Description	Initial State
Reserved	[31:27]	–	0x0
Y	[26:16]	Coordinate_2 Y Range: 0 ~ 2039	0x0
Reserved	[15:11]	–	0x0
X	[10:0]	Coordinate_2 X Range: 0 ~ 2039	0x0

5.3.20 COORDINATE_2 X Register (COORD2_X_REG)

Register	Address	R/W	Description	Reset Value
COORD2_X_REG	0x4D408324	R/W	Coordinate_2 X Register	0x0

Field	Bit	Description	Initial State
Reserved	[31:11]	–	0x0
COORD2_X	[10:0]	Coordinate_2 X Range: 0 ~ 2039	0x0

5.3.21 COORDINATE_2 Y Register (COORD2_Y_REG)

Register	Address	R/W	Description	Reset Value
COORD2_Y_REG	0x4D408328	R/W	Coordinate_2 Y Register	0x0

Field	Bit	Description	Initial State
Reserved	[31:11]	–	0x0
COORD2_Y	[10:0]	Coordinate_2 Y Range: 0 ~ 2039	0x0

5.3.22 COORDINATE_3 REGISTER (COORD3_REG)

Register	Address	R/W	Description	Reset Value
COORD3_REG	0x4D408330	R/W	Coordinate_3 Register	0x0

Field	Bit	Description	Initial State
Reserved	[31:27]	–	0x0
Y	[26:16]	Coordinate_3 Y Range: 0 ~ 2039	0x0
Reserved	[15:11]	–	0x0
X	[10:0]	Coordinate_3 X Range: 0 ~ 2039	0x0

5.3.23 COORDINATE_3 X Register (COORD3_X_REG)

Register	Address	R/W	Description	Reset Value
COORD3_X_REG	0x4D408334	R/W	Coordinate_3 X Register	0x0

Field	Bit	Description	Initial State
Reserved	[31:11]	–	0x0
COORD3_X	[10:0]	Coordinate_3 X Range: 0 ~ 2039	0x0

5.3.24 COORDINATE_3 Y Register (COORD3_Y_REG)

Register	Address	R/W	Description	Reset Value
COORD3_Y_REG	0x4D408338	R/W	Coordinate_3 Y Register	0x0

Field	Bit	Description	Initial State
Reserved	[31:11]	–	0x0
COORD3_Y	[10:0]	Coordinate_3 Y Range: 0 ~ 2039	0x0

Rotation

5.3.25 Rotation Origin Coordinate Register (ROT_OC_REG)

Register	Address	R/W	Description	Reset Value
ROT_OC_REG	0x4D408340	R/W	Rotation Origin Coordinate Register	0x0

Field	Bit	Description	Initial State
Reserved	[31:27]	–	0x0
Y	[26:16]	X coordinate of the reference point of rotation Range: 0 ~ 2039	0x0
Reserved	[15:11]	–	0x0
X	[10:0]	Y coordinate of the reference point of rotation Range 0 ~ 2039	0x0

5.3.26 Rotation Origin Coordinate X Register (ROT_OC_X_REG)

Register	Address	R/W	Description	Reset Value
ROT_OC_X	0x4D408344	R/W	Rotation Origin Coordinate X Register	0x0

Field	Bit	Description	Initial State
Reserved	[31:11]	–	0x0
ROT_OC_X	[10:0]	X coordinate of the reference point of rotation Range: 0 ~ 2039	0x0

5.3.27 Rotation Origin Coordinate Y Register (ROT_OC_Y_REG)

Register	Address	R/W	Description	Reset Value
ROT_OC_Y	0x4D408348	R/W	Rotation Origin Coordinate Y Register	0x0

Field	Bit	Description	Initial State
Reserved	[31:1]	–	0x0
ROT_OC_Y	[10:0]	Y coordinate of the reference point of rotation Range 0 ~ 2039	0x0

5.3.28 Rotation Register (ROTATE_REG)

Register	Address	R/W	Description	Reset Value
ROTATE_REG	0x4D40834C	R/W	Rotation Register	0x0

Field	Bit	Description	Initial State
Reserved	[31:6]		0x0
FY	[5]	Y-flip	0x0
FX	[4]	X-flip	0x0
R3	[3]	270° Rotation	0x0
R2	[2]	180° Rotation	0x0
R1	[1]	90° Rotation	0x0
R0	[0]	0° Rotation	0x1

* If the two or more of Rn are set to 1 at the same time, drawing engine operates unpredictably.

X,Y Increment Setting

5.3.29 X Increment Register (X_INCR_REG)

Register	Address	R/W	Description	Reset Value
X_INCR_REG	0x4D408400	R/W	X Increment Register	0x0

Field	Bit	Description	Initial State
Reserved	[31:22]	–	0x0
X_INCR	[21:0]	X increment value (2's complement, 11-digit fraction)	0x0

5.3.30 Y Increment Register (Y_INCR_REG)

Register	Address	R/W	Description	Reset Value
Y_INCR_REG	0x4D408404	R/W	Y Increment Register	0x0

Field	Bit	Description	Initial State
Reserved	[31:22]	–	0x0
Y_INCR	[21:0]	Y increment value (2's complement, 11-digit fraction)	0x0

ROP & Alpha Setting

5.3.31 Raster Operation Register (ROP_REG)

Register	Address	R/W	Description	Reset Value
ROP_REG	0x4D408410	R/W	Raster Operation Register	0x0

Field	Bit	Description	Initial State
Reserved	[31:14]	–	0x0
OS	[13]	Third Operand Select : 1'b0 = Pattern 1'b1 = Foreground Color	0x0
ABM	[12:10]	Alpha Mode : 3'b000 = No Alpha Blending 3'b001 = Perpixel Alpha Blending with Source Bitmap 3'b010 = Alpha Blending with Alpha Register 3'b100 = Fading Others = Reserved Note that Perpixel Alpha Blending can only be applied on bit block transfer.	0x0
T	[9]	0 = Opaque Mode 1 = Transparent Mode	0x0
Reserved	[8]	Reserved	0x0
ROP Value	[7:0]	Raster Operation Value	0x0

5.3.32 Alpha Register (ALPHA_REG)

Register	Address	R/W	Description	Reset Value
ALPHA_REG	0x4D408420	R/W	Alpha Register	0x0

Field	Bit	Description	Initial State
Reserved	[31:16]	–	0x0
Fading	[15:8]	Fading Offset Value	0x0
Alpha	[7:0]	Alpha Value	0x0

Color

5.3.33 Foreground Color Register (FG_COLOR_REG)

Register	Address	R/W	Description	Reset Value
FG_COLOR_REG	0x4D408500	R/W	Foreground Color Register	0x0

Field	Bit	Description	Initial State
ForegroundColor	[31:0]	Foreground Color Value. The alpha field of the foreground color will be discarded.	0x0

5.3.34 Background Color Register (BG_COLOR_REG)

Register	Address	R/W	Description	Reset Value
BG_COLOR_REG	0x4D408504	R/W	Background Color Register	0x0

Field	Bit	Description	Initial State
BackgroundColor	[31:0]	Background Color Value. The alpha field of the background color will be discarded.	0x0

5.3.35 BlueScreen Color Register (BS_COLOR_REG)

Register	Address	R/W	Description	Reset Value
BS_COLOR_REG	0x4D408508	R/W	BlueScreen Color Register	0x0

Field	Bit	Description	Initial State
BlueScreenColor	[31:0]	BlueScreen Color Value. The alpha field of the blue screen color will be discarded.	0x0

5.3.36 Source Image Color Mode Register (SRC_COLOR_MODE_REG)

Register	Address	R/W	Description	Reset Value
SRC_COLOR_MODE_REG	0x4D408510	R/W	Source Image Color Mode Register	0x0

Field	Bit	Description	Initial State
Reserved	[31:4]	–	0x0
YUV	[3]	0 = RGB mode This bit should be set to 0 in point/line drawing mode and color expansion mode.	0x0
Color Setting	[2:0]	3'b000 = RGB_565 3'b001 = RGBA_5551 3'b010 = ARGB_1555 3'b011 = RGBA_8888 3'b100 = ARGB_8888 3'b101 = XRGB_8888 3'b110 = RGBX_8888 The Color Setting is ignored if YUV mode is selected	0x0

5.3.37 Destination Image Color Mode Register (DEST_COLOR_MODE_REG)

Register	Address	R/W	Description	Reset Value
DEST_COLOR_MODE_REG	0x4D408514	R/W	Destination Image Color Mode Register	0x0

Field	Bit	Description	Initial State
Reserved	[31:4]	–	0x0
Color Setting	[2:0]	3'b000 = RGB_565 3'b001 = RGBA_5551 3'b010 = ARGB_1555 3'b011 = RGBA_8888 3'b100 = ARGB_8888 3'b101 = XRGB_8888 3'b110 = RGBX_8888	0x0

Pattern

5.3.38 Pattern Register (PAT_REG)

Register	Address	R/W	Description	Reset Value
PAT_REG	0x4D408600 ~ 67C	R/W	Pattern Register	0x0

Field	Bit	Description	Initial State
PAT_REG	[31:0]	Pattern Register	0x0

5.3.39 Pattern Offset Register (PATOFF_REG)

Register	Address	R/W	Description	Reset Value
PATOFF_REG	0x4D408700	R/W	Pattern Offset Register	0x0

Field	Bit	Description	Initial State
Reserved	[31:19]	–	0x0
POffsetY	[18:16]	Pattern OffsetY Value	0x0
Reserved	[15:3]	–	0x0
POffsetX	[2:0]	Pattern OffsetX Value	0x0

5.3.40 Pattern Offset X Register (PATOFF_X_REG)

Register	Address	R/W	Description	Reset Value
PATOFF_X_REG	0x4D408704	R/W	Pattern Offset X Register	0x0

Field	Bit	Description	Initial State
Reserved	[31:3]	–	0x0
POffsetX	[2:0]	Pattern OffsetX Value	0x0

5.3.41 Pattern Offset Y Register (PATOFF_Y_REG)

Register	Address	R/W	Description	Reset Value
PATOFF_Y_REG	0x4D408708	R/W	Pattern Offset Y Register	0x0

Field	Bit	Description	Initial State
Reserved	[31:3]	–	0x0
POffsetY	[2:0]	Pattern OffsetY Value	0x0

Stencil Test

5.3.42 Colorkey Control Register (COLORKEY_CTRL_REG)

Register	Address	R/W	Description	Reset Value
COLORKEY_CTRL_REG	0x4D408720	R/W	Colorkey Control Register	0x0

Field	Bit	Description	Initial State
Reserved	[31:5]	–	0x0
StencilInverse	[4]	0 = Normal stencil test 1 = Inversed stencil test This bit should be set to 0 if the stencil test of every color field is disabled.	0x0
StencilOnR	[3]	0 = Stencil Test Off for R value 1 = Stencil Test On for R value	0x0
StencilOnG	[2]	0 = Stencil Test Off for G value 1 = Stencil Test On for G value	0x0
StencilOnB	[1]	0 = Stencil Test Off for B value 1 = Stencil Test On for B value	0x0
StencilOnA	[0]	0 = Stencil Test Off for A value 1 = Stencil Test On for A value	0x0

5.3.43 Colorkey Decision Reference Minimum Register (COLORKEY_DR_MIN_REG)

Register	Address	R/W	Description	Reset Value
COLORKEY_DR_MIN_REG	0x4D408724	R/W	Colorkey Decision Reference Minimum Register	0x0

Field	Bit	Description	Initial State
A_DR(min)	[31:24]	Alpha DR MIN value	0x0
R_DR(min)	[23:16]	RED DR MIN value	0x0
G_DR(min)	[15:8]	GREEN DR MIN value	0x0
B_DR(min)	[7:0]	BLUE DR MIN value	0x0

5.3.44 COLORKEY DECISION REFERENCE MAXIMUM REGISTER (COLORKEY_DR_MAX_REG)

Register	Address	R/W	Description	Reset Value
COLORKEY_DR_MAX_REG	0x4D408728	R/W	Colorkey Decision Reference Maximum Register	0xFFFF_FFFF

Field	Bit	Description	Initial State
A_DR(max)	[31:24]	Alpha DR MAX value	0xF
R_DR(max)	[23:16]	RED DR MAX value	0xF
G_DR(max)	[15:8]	GREEN DR MAX value	0xF
B_DR(max)	[7:0]	BLUE DR MAX value	0xF

Image Base Address

5.3.45 Source Image Base Address Register (SRC_BASE_ADDR_REG)

Register	Address	R/W	Description	Reset Value
SRC_BASE_ADDR_REG	0x4D408730	R/W	Source Image Base Address Register	0x0

Field	Bit	Description	Initial State
ADDR	[31:0]	Base address of the source image	0x0

5.3.46 Destination Image Base Address Register (DEST_BASE_ADDR_REG)

Register	Address	R/W	Description	Reset Value
DEST_BASE_ADDR_REG	0x4D408734	R/W	Destination Image Base Address Register	0x0

Field	Bit	Description	Initial State
ADDR	[31:0]	Base address of the destination image (in most cases, it is also the frame buffer base address).	0x0

NOTES

19

HS_SPI CONTROLLER

1 OVERVIEW

The High Speed Serial Peripheral Interface (HS_SPI) can interface the serial data transfer. HS_SPI has two 8/16/32-bit shift registers for transmission and receiving, respectively. During an HS_SPI transfer, data is simultaneously transmitted (shifted out serially) and received (shifted in serially). HS_SPI supports the protocols for National Semiconductor Microwire and Motorola Serial Peripheral Interface.

2 FEATURES

The features of the HS_SPI are:

- Supports full duplex
- 8/16/32-bit shift register for TX/RX
- 8-bit prescale logic
- 3 clock source
- Supports 8bit/16bit/32bit bus interface
- Supports the Motorola HS_SPI protocol and National Semiconductor Microwire
- Two independent transmit and receive FIFOs, each 16 samples deep by 32-bits wide
- Master-mode and Slave-mode
- Receive-without-transmit operation

3 SIGNAL DESCRIPTIONS

The following table lists the external signals between the HS_SPI and external device. All ports of the HS_SPI can be used as General Purpose I/O ports when disable. See "General Purpose I/O" chapter for detailed pin configuration.

Table 20-1. External Signals Description

Channel	Name	Direction	Description
Channel 0	PSPICLK0	Inout	PSPICLK0 is the serial clock used to control time to transfer data.
	PSPIMISO0	Inout	In Master mode, this port is to be input port to get data from slave output port. Data are transmitted to master through this port when in slave mode.
	PSPIMOSI0	Inout	In Master mode, this port is to be output port to transfer data from master output port. Data are received from master through this port when in slave mode.
	PSS0	Inout	As to be slave selection signal, all data TX/RX sequences are executed when PSS0 is low.

4 OPERATION

The HS_SPI in S3C2416x transfers 1-bit serial data between S3C2416x and external device. The HS_SPI in S3C2416x supports that CPU or DMA can access to transmit or receive FIFOs separately and to transfer data in both direction simultaneously. HS_SPI has 1 channel, TX channel and RX channel. TX channel has a path only from Tx FIFO to external device. RX channel has a path only from external device to RX FIFO.

CPU(or DMA) should write data on the register HS_SPI_TX_DATA to write data in FIFO. Data on the register are automatically moved to Tx FIFOs. To read data from Rx FIFOs, CPU(or DMA) should access the register HS_SPI_RX_DATA and then data are automatically sent to the register HS_SPI_RX_DATA.

4.1 OPERATION MODE

HS_SPI has 2 modes, master and slave mode. In master mode, SPICLK is generated and transmitted to external device. PSS, which is signal to select slave, indicates data valid when it is low level. PSS should be set low before packets starts to be transmitted or received.

4.2 FIFO ACCESS

The HS_SPI in S3C2416 supports CPU access and DMA access to FIFOs. Data size of CPU access and DMA access to FIFOs can be selected 8-bit/16-bit/32-bit data. If 8-bit data size is chosen, valid bits are from 0 bit to 7 bit. CPU accesses are normally on and off by trigger threshold user defines. The trigger level of each FIFOs is set from 0byte to 64bytes. TxDMAOn or RxDMAOn bit of HS_SPI_MODE_CFG register should be set to use DMA access. DMA access supports only single transfer and 4-burst transfer. In TX FIFO, DMA request signal is high until that FIFO is full. In RX FIFO, dma request signal is high if FIFO is not empty.

4.3 TRAILING BYTES IN THE RX FIFO

When the number of samples in Rx FIFO is less than the threshold value in INT mode or DMA 4 burst mode and no additional data is received, the remaining bytes are called trailing bytes. To remove these bytes in RX FIFO, internal timer and interrupt signal are used. The value of internal timer can be set up to 1024 clocks based on APB BUS clock. When timer value is to be zero, interrupt signal is occurred and CPU can remove trailing bytes in FIFO.

4.4 PACKET NUMBER CONTROL

HS_SPI can control the number of packets to be received in master mode. If there is any number of packets to be received, just set the SFR(Packet_Count_reg) how many packets have to be received. HS_SPI stops generating HS_SPICLK when the number of packets is the same as what you set. But, software reset or hardware reset should be followed before that this function is reload.

4.5 NCS CONTROL

nCS can be selected auto control or manual control. In manual control, Auto_n_Manual should be set default value 0. nCS level is decided as the same as that nSSout bit is set. nCS can be toggled between packet and packet in auto control. Auto_n_Manual is set to 1 and nCS_time_count should be set as long as nCS is inactive. nSSout is not available at this time.

4.6 HS_SPI TRANSFER FORMAT

The S3C2416 supports 4 different format to transfer the data. Figure 20-1 shows four waveforms for HS_SPICLK.

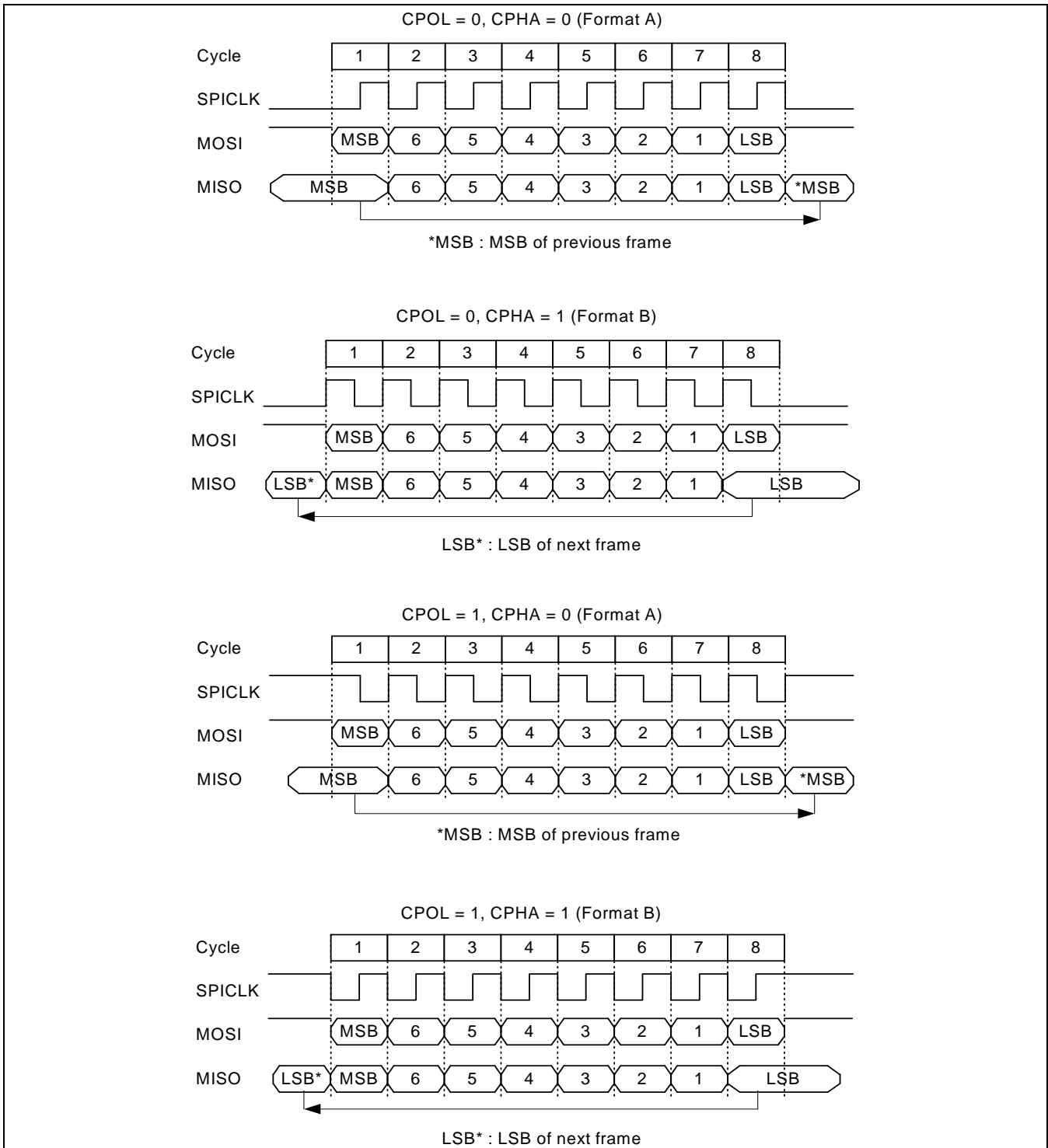


Figure 19-1. HS_SPI Transfer Format

5 EXTERNAL LOADING CAPACITANCE

HS_SPI with an output capacitance higher than 10pF is not guaranteed.
OUTPUT CAPACITANCE must be lower than 10pF at both channels.

6 SPECIAL FUNCTION REGISTER DESCRIPTIONS

6.1 SETTING SEQUENCE OF SPECIAL FUNCTION REGISTER

Special Function Register should be set as the following sequence. (nCS manual mode)

1. Set Transfer Type. (CPOL & CPHA set)
2. Set Clock configuration register.
3. Set HS_SPI MODE configuration register.
4. Set HS_SPI INT_EN register.
5. Set Packet Count configuration register if necessary.
6. Set Tx or Rx Channel on.
7. Set nSSout low to start Tx or Rx operation.
 - A. Set nSSout Bit to low, then start TX data writing.
 - B. If auto chip selection bit is set, should not control nCS.

6.2 SPECIAL FUNCTION REGISTER

Register	Address	R/W	Description	Reset Value
CH_CFG(Ch0)	0x52000000	R/W	HS_SPI configuration register	0x0000_0040

CH_CFG	Bit	Description	Initial State
Reserved	[31:7]	–	26'b0
High_speed_en	[6]	0 = Low speed operation support at slave mode. 1 = High speed operation support at slave mode.	1'b1
SW_RST	[5]	Software reset 0 = Inactive 1 = Active	1'b0
SLAVE	[4]	Whether HS_SPI Channel is Master or Slave. 0 = Master 1 = Slave	1'b0
CPOL	[3]	Determine an active high or active low clock 0 = Active high 1 = Active low	1'b0
CPHA	[2]	Select one of the two fundamentally different transfer format 0 = Format A 1 = Format B	1'b0
RxChOn	[1]	HS_SPI Rx Channel On 0 = Channel Off 1 = Channel On	1'b0
TxChOn	[0]	HS_SPI Tx Channel On 0 = Channel Off 1 = Channel On	1'b0

Register	Address	R/W	Description	Reset Value
Clk_CFG(Ch0)	0x52000004	R/W	Clock configuration register	0x0

Clk_CFG	Bit	Description	Initial State
ClkSel	[10:9]	<p>Clock source selection to generate HS_SPI clock-out</p> <p>00 = PCLK 01 = USBCLK 10 = EpLL clock 11 = Reserved</p> <p>* For using USBCLK source, The USB_SIG_MASK at system controller should be set to on.</p> <p>* EpLL clock is from System Controller and has 4 sources: MOUT_{EP}LL, DOUT_MPLL, PLL_SRCLK, CLK27M</p>	2'b0
ENCLK	[8]	<p>Clock on/off</p> <p>0 = Disable 1 = Enable</p>	1'b0
Prescaler Value	[7:0]	<p>HS_SPI clock-out division rate</p> <p>HS_SPI clock-out = Clock source / (2 x (Prescaler value +1))</p>	8'h0

Register	Address	R/W	Description	Reset Value
MODE_CFG(Ch0)	0x52000008	R/W	HS_SPI FIFO control register	0x0

MODE_CFG	Bit	Description	Initial State
Ch_tran_size	[30:29]	00 = Byte 01 = Halfword 10 = Word 11 = Reserved	2'b0
Trailing Count	[28:19]	Count value from writing the last data in RX FIFO to flush trailing bytes in FIFO	10'b0
BUS transfer size	[18:17]	00 = Byte 01 = Halfword 10 = Word 11 = Reserved	2'b0
RxTrigger	[16:11]	Rx FIFO trigger level in INT mode. Trigger level is from 0 to 63. The value means byte number in RX FIFO	6'b0
TxTrigger	[10:5]	Tx FIFO trigger level in INT mode Trigger level is from 0 to 63. The value means byte number in TX FIFO	6'b0
reserved	[4:3]	–	–
RxDMA On	[2]	DMA mode on/off 0 = DMA mode off 1 = DMA mode on	1'b0
TxDMA On	[1]	DMA mode on/off 0 = DMA mode off 1 = DMA mode on	1'b0
DMA transfer	[0]	DMA transfer type, single or 4 bust. 0 = Single 1 = 4 burst DMA transfer size should be set as the same size in DMA as it in HS_SPI.	1'b0

** Channel Transfer size must be smaller than Bus Transfer size or the same as.

Register	Address	R/W	Description	Reset Value
HS_SPI_STATUS(Ch0)	0x52000014	R	HS_SPI status register	0x0

HS_SPI_STATUS	Bit	Description	Initial State
TX_done	[21]	Indication of transfer done in Shift register 0 = all case except blow case 1 = when tx fifo and shift register are empty * Master mode only	1'b0
Trailing_count_done	[20]	Indication that trailing count is zero	1'b0
RxFifoLvl	[19:13]	Data level in RX FIFO 0 ~ 7'h40 byte	7'b0
TxFifoLvl	[12:6]	Data level in TX FIFO 0 ~ 7'h40 byte	7'b0
RxOverrun	[5]	Rx Fifo overrun error 0 = No error 1 = Overrun error	1'b0
RxUnderrun	[4]	Rx Fifo underrun error 0 = No error 1 = Underrun error	1'b0
TxOverrun	[3]	Tx Fifo overrun error 0 = No error 1 = Overrun error	1'b0
TxUnderrun	[2]	Tx Fifo underrun error 0 = No error 1 = Underrun error * If TX fifo empty, always occur at slave mode	1'b0
RxFifoRdy	[1]	0 = Data in FIFO less than trigger level 1 = Data in FIFO more than trigger level	1'b0
TxFifoRdy	[0]	0 = Data in FIFO more than trigger level 1 = Data in FIFO less than trigger level	1'b0

Register	Address	R/W	Description	Reset Value
HS_SPI_TX_DATA(Ch0)	0x52000018	W	HS_SPI TX DATA register	0x0

HS_SPI_TX_DATA	Bit	Description	Initial State
TX_DATA	[31:0]	This field contains the data to be transmitted over the HS_SPI channel.	32'b0

Register	Address	R/W	Description	Reset Value
HS_SPI_RX_DATA(Ch0)	0x5200001C	R	HS_SPI RX DATA register	0x0

HS_SPI_RX_DATA	Bit	Description	Initial State
RX_DATA	[31:0]	This field contains the data to be received over the HS_SPI channel.	32'b0

Register	Address	R/W	Description	Reset Value
Packet_Count_reg(Ch0)	0x52000020	R/W	Count how many data master gets	0x0

Packet_Count_reg	Bit	Description	Initial State
Packet_Count_En	[16]	Enable bit for packet count 0 = Disable 1 = Enable	1'b0
Count Value	[15:0]	Packet count value	16'b0

Register	Address	R/W	Description	Reset Value
Pending_clr_reg(Ch0)	0x52000024	R/W	Pending clear register	0x0

Status_Pending_clear_reg	Bit	Description	Initial State
TX_underrun_clr	[4]	TX underrun pending clear bit 0 = Non-clear 1 = Clear	1'b0
TX_overrun_clr	[3]	TX overrun pending clear bit 0 = Non-clear 1 = Clear	1'b0
RX_underrun_clr	[2]	RX underrun pending clear bit 0 = Non-clear 1 = Clear	1'b0
RX_overrun_clr	[1]	RX overrun pending clear bit 0 = Non-clear 1 = Clear	1'b0
Trailing_clr	[0]	Trailing pending clear bit 0 = Non-clear 1 = Clear	1'b0

Register	Address	R/W	Description	Reset Value
SWAP_CFG(Ch0)	0x52000028	R/W	SWAP config register	0x0

SWAP_CFG	Bit	Description		Initial State
RX_Half-word swap	[7]	0 = off	1 = swap	1'b0
RX_Byte swap	[6]	0 = off	1 = swap	1'b0
RX_Bit swap	[5]	0 = off	1 = swap	1'b0
RX_SWAP_en	[4]	Swap enable 0 = normal	1 = swap	1'b0
TX_Half-word swap	[3]	0 = off	1 = swap	1'b0
TX_Byte swap	[2]	0 = off	1 = swap	1'b0
TX_Bit swap	[1]	0 = off	1 = swap	1'b0
TX_SWAP_en	[0]	Swap enable 0 = normal	1 = swap	1'b0

** Data size must be larger than swap size.

Register	Address	R/W	Description	Reset Value
FB_Clk_sel (Ch0)	0x5200002C	R/W	Feedback clock selecting register.	0x3

FB_Clk_sel	Bit	Description	Initial State
FB_Clk_sel	[1:0]	00 = 0ns additional delay 01 = 3ns additional delay 10 = 6ns additional delay 11 = 9ns additional delay * delay base on typical condition.	2'b11

NOTES

20

SD/MMC HOST CONTROLLER

This chapter describes the SD/SDIO/MMC/CE-ATA host controller and related registers supported by S3C2416X RISC microprocessor.

1 OVERVIEW

The HSMMC (High-speed MMC) SDMMC is a combo host for Secure Digital card and MultiMedia Card. This host is compatible for SD Association's (SDA) Host Standard Specification.

We provide 2 Channel 4 bit HSMMC support.

2 FEATURES

- SD Standard Host Spec(ver 2.0) compatible
- SD Memory Card Spec(ver 2.0) / High Speed MMC Spec(4.2) compatible
- SDIO Card Spec(Ver 1.0) compatible
- 512 bytes FIFO for data Tx/Rx
- 48-bit Command Register
- 136-bit Response Register
- CPU Interface and DMA data transfer mode
- 1bit / 4bit mode switch support.
- Auto CMD12 support
- Suspend / Resume support
- Read Wait operation support
- Card Interrupt support
- CE-ATA mode support

3 BLOCK DIAGRAM

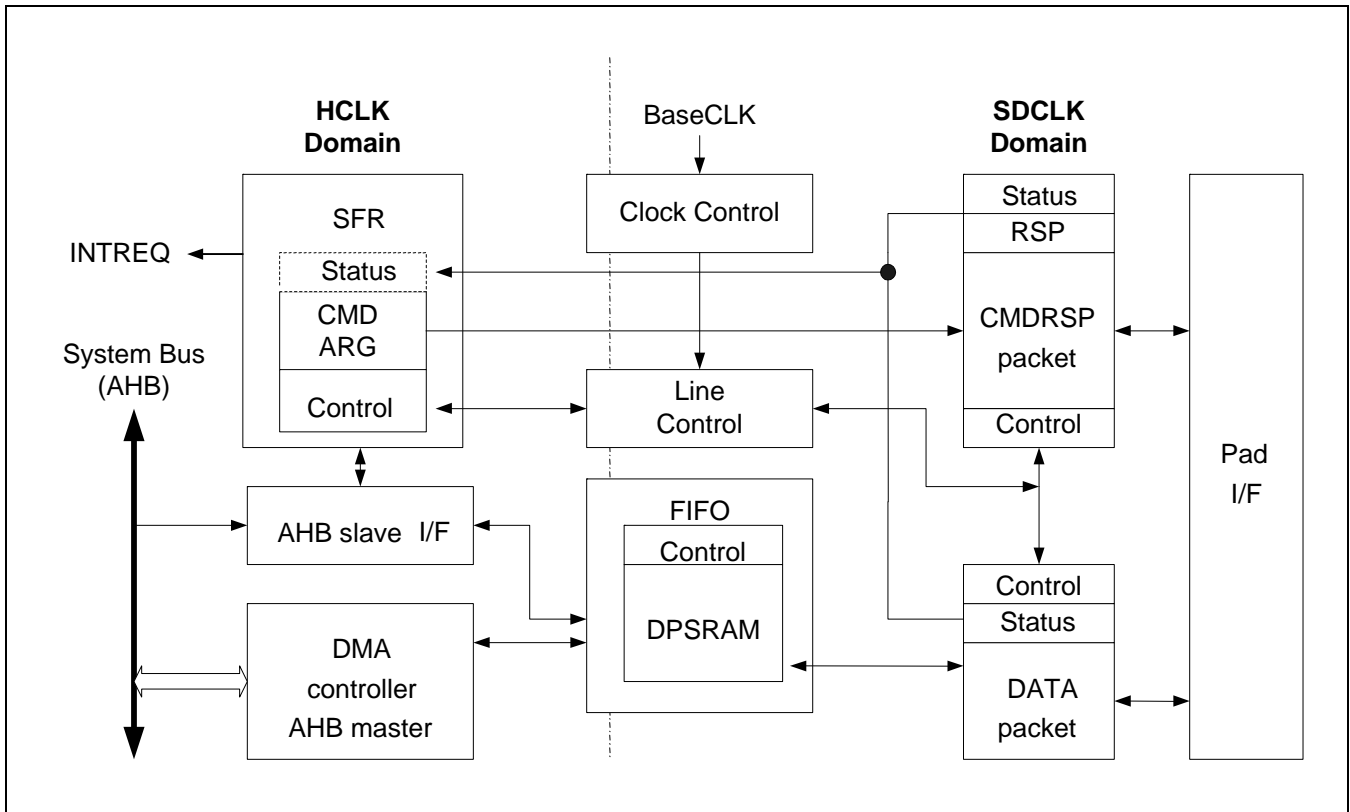


Figure 20-1. HSMC Block Diagram

4 SEQUENCE

This section defines basic sequence flow chart divided into several sub sequences. "Wait for interrupts" is used in the flow chart. This means the Host Driver waits until specified interrupts are asserted. If already asserted, then fall through that step in the flow chart. Timeout checking shall be always required to detect no interrupt generated but this is not described in the flow chart.

4.1 SD CARD DETECTION SEQUENCE

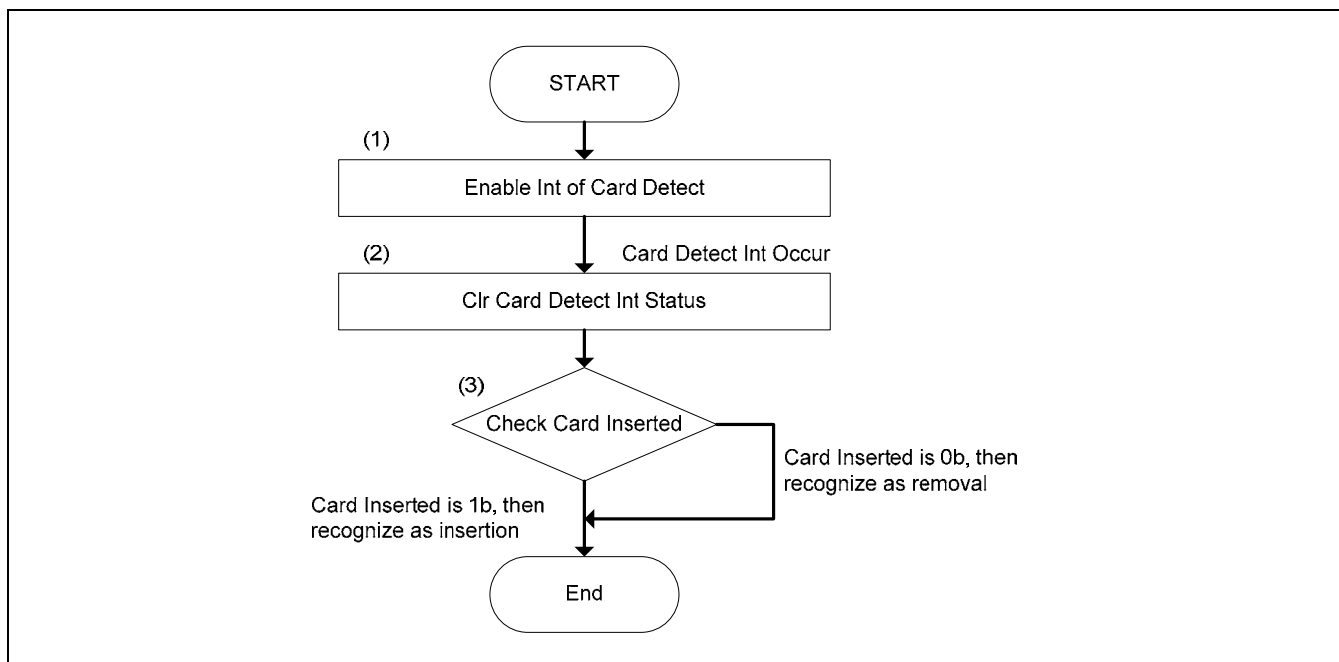


Figure 20-2. SD Card Detect Sequence

The flow chart for detecting a SD card is shown in Figure 20-2. Each step is executed as follows:

(1) To enable interrupt for card detection, write 1 to the following bits:

Card Insertion Status Enable(ENSTACARDNS) in the Normal Interrupt Status Enable register
 Card Insertion Signal Enable(ENSIGCARDNS) in the Normal Interrupt Signal Enable register
 Card Removal Status Enable(ENSTACARDREM) in the Normal Interrupt Status Enable register
 Card Removal Signal Enable(ENSIGCARDREM) in the Normal Interrupt Signal Enable register

(2) When the Host Driver detects the card insertion or removal, clear its interrupt statuses. If Card Insertion interrupt(STACARDINS) is generated, write 1 to Card Insertion in the Normal Interrupt Status register. If Card Removal interrupt(STACARDREM) is generated, write 1 to Card Removal in the Normal Interrupt Status register.

(3) Check Card Inserted in the Present State register. In the case where Card Inserted(INSCARD) is 1, the Host Driver can supply the power and the clock to the SD card. In the case where Card Inserted is 0, the other executing processes of the Host Driver shall be immediately closed.

4.2 SD CLOCK SUPPLY SEQUENCE

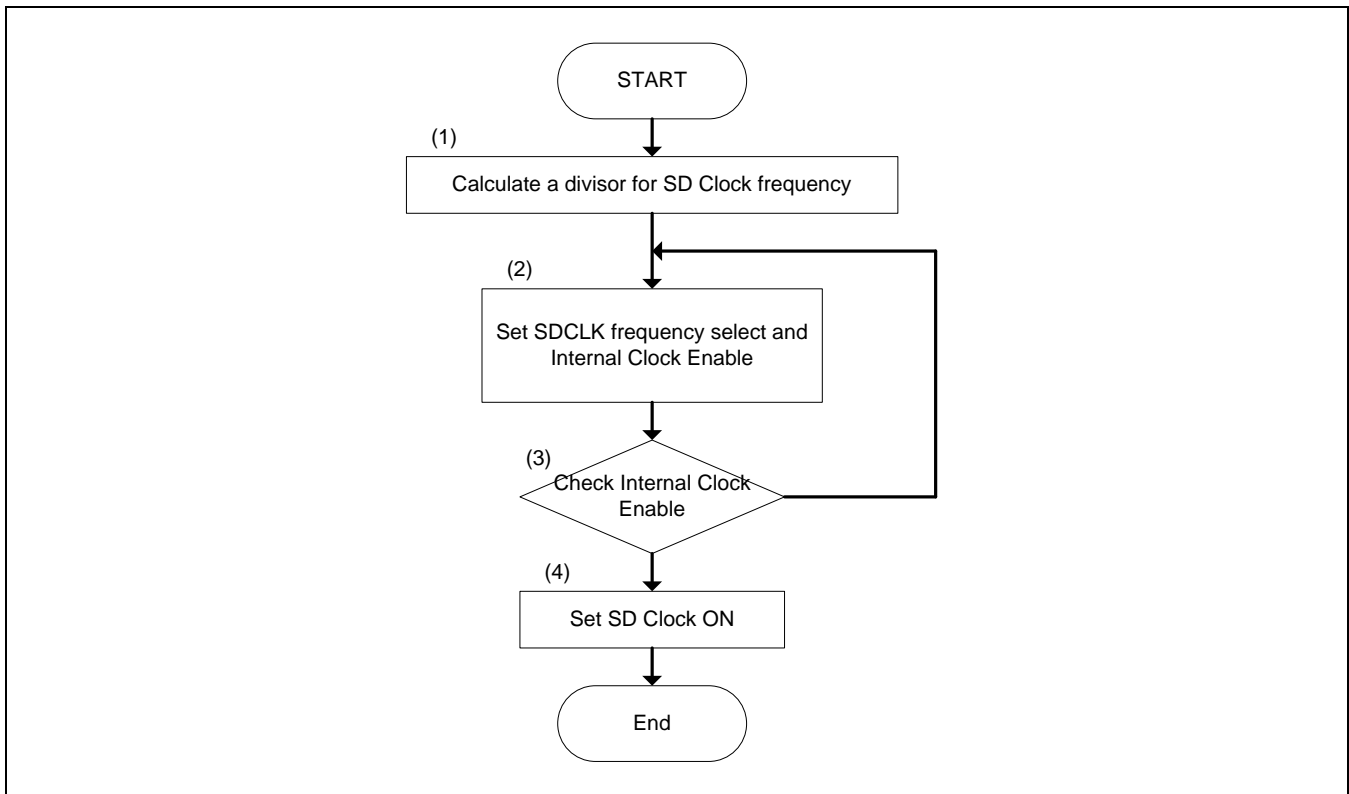


Figure 20-3. SD Clock Supply Sequence

The sequence for supplying SD Clock to a SD card is described in Figure 20-3. The clock shall be supplied to the card before either of the following actions is taken.

- a) Issuing a SD command
 - b) Detect an interrupt from a SD card in 4-bit mode.
- (1) Calculate a divisor to determine SD Clock frequency by reading Base Clock Frequency for SD Clock in the Capabilities register. If Base Clock Frequency for SD Clock is 00 0000b, the Host System shall provide this information to the Host Driver by another method.
 - (2) Set Internal Clock Enable(ENINTCLK) and SDCLK Frequency Select in the Clock Control register in accordance with the calculated result of step (1).
 - (3) Check Internal Clock Stable(STBLINTCLK) in the Clock Control register. Repeat this step until Clock Stable is 1.
 - (4) Set SD Clock Enable(ENSDCLK) in the Clock Control register to 1. Then, the Host Controller starts to supply the SD Clock.

4.3 SD CLOCK STOP SEQUENCE

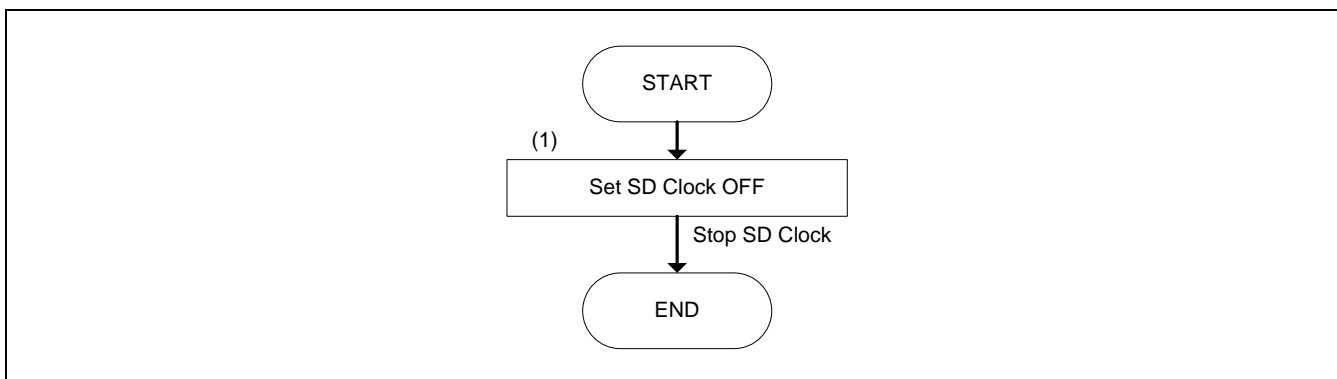


Figure 20-4. SD Clock Stop Sequence

The flow chart for stopping the SD Clock is shown in Figure 20-4. The Host Driver shall not stop the SD Clock when a SD transaction is occurring on the SD Bus -- namely, when either Command Inhibit (DAT) or Command Inhibit (CMD) in the Present State register is set to 1.

- (1) Set SD Clock Enable(ENSDCLK) in the Clock Control register to 0. Then, the Host Controller stops supplying the SD Clock.

4.4 SD CLOCK FREQUENCY CHANGE SEQUENCE

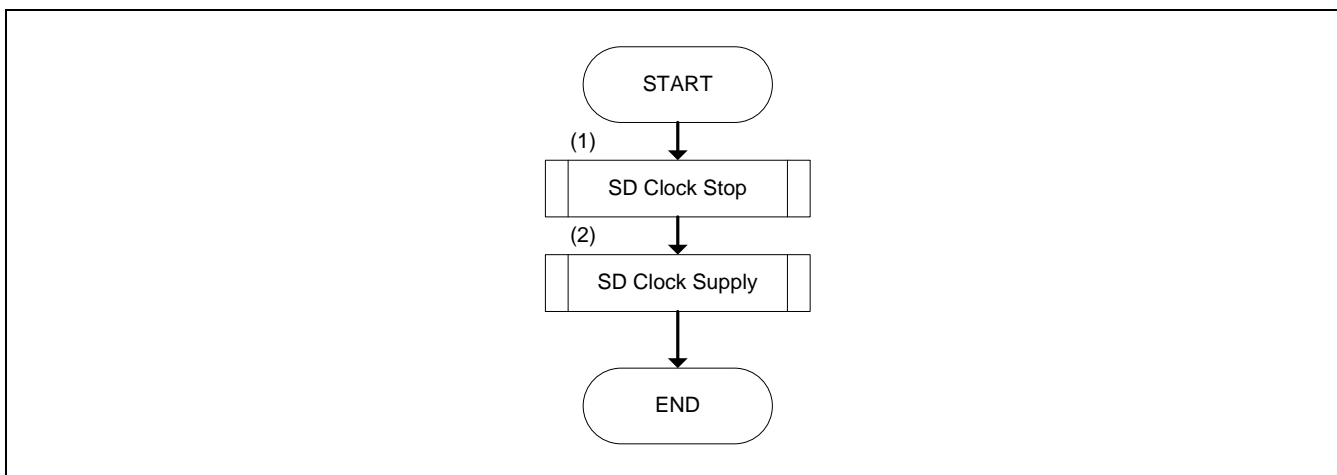


Figure 20-5. SD Clock Change Sequence

The sequence for changing SD Clock frequency is shown in Figure 20-5. When SD Clock is still off, step (1) is omitted.

4.5 SD BUS POWER CONTROL SEQUENCE

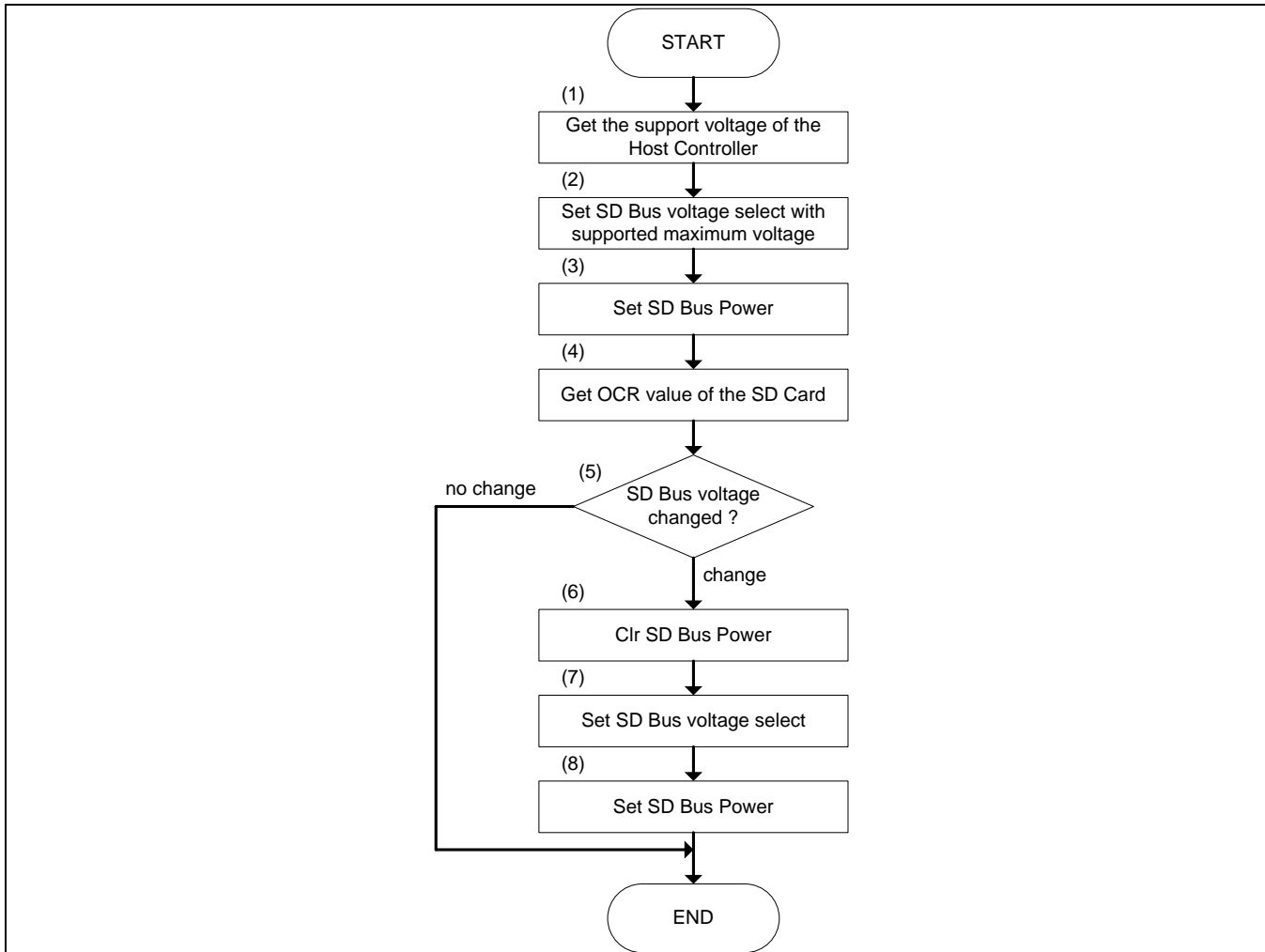


Figure 20-6. SD Bus Power Control Sequence

The sequence for controlling the SD Bus Power is described in Figure 20-6.

- (1) By reading the Capabilities register, get the support voltage of the Host Controller.
- (2) Set SD Bus Voltage Select in the Power Control register with maximum voltage that the Host Controller supports.
- (3) Set SD Bus Power(PWRON) in the Power Control register to 1.
- (4) Get the OCR value of all function internal of SD card.
- (5) Judge whether SD Bus voltage needs to be changed or not. In case where SD Bus voltage needs to be changed, go to step (6). In case where SD Bus voltage does not need to be changed, go to 'End'.
- (6) Set SD Bus Power in the Power Control register to 0 for clearing this bit. The card requires voltage rising from 0 volt to detect it correctly. The Host Driver shall clear SD Bus Power before changing voltage by setting SD Bus Voltage Select.
- (7) Set SD Bus Voltage Select(SELPWRLVL) in the Power Control register.
- (8) Set SD Bus Power(PWRON) in the Power Control register to 1.

NOTE: Step (2) and step (3) can be executed at same time. And also, step (7) and step (8) can be executed at same time.

4.6 CHANGE BUS WIDTH SEQUENCE

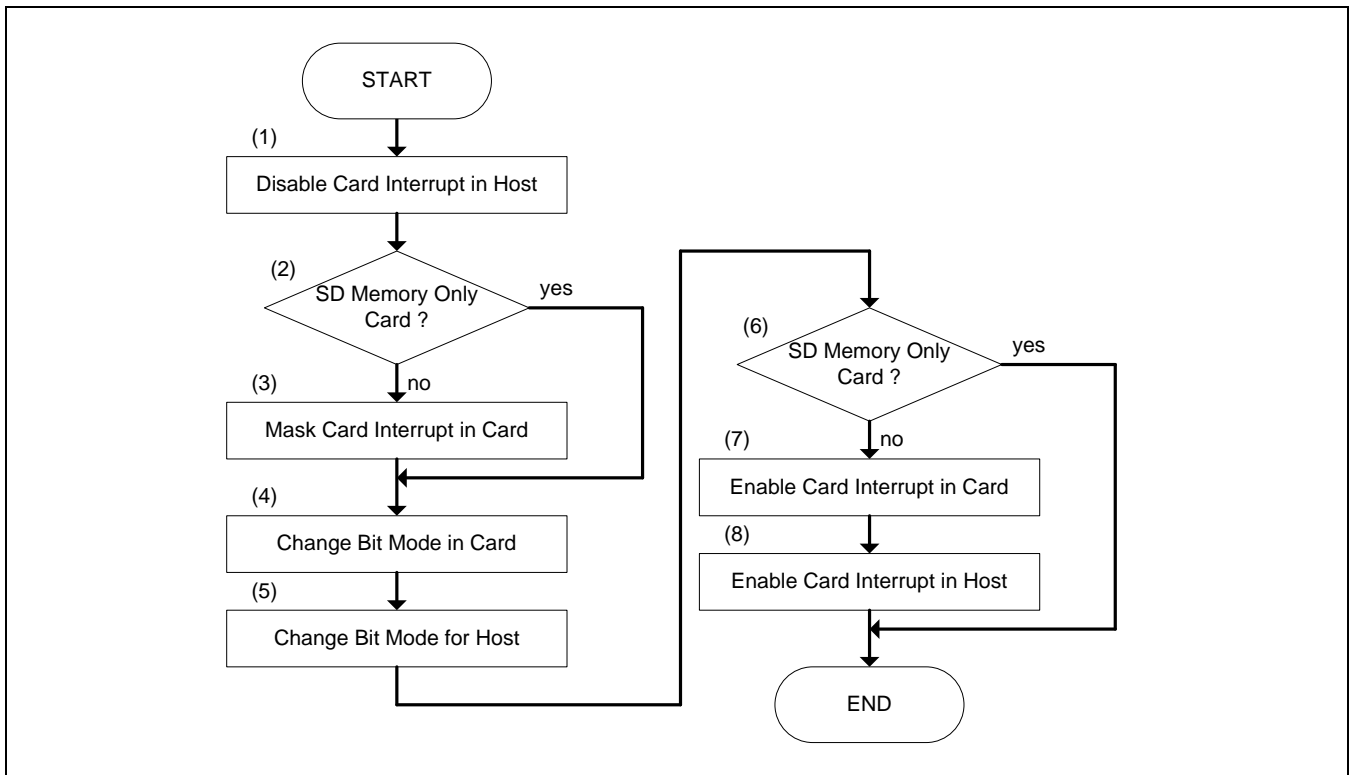


Figure 20-7. Change Bus Width Sequence

The sequence for changing bit mode on SD Bus is shown in Figure 20-7.

- (1) Set Card Interrupt Status Enable(STACARDINT) in the Normal Interrupt Status Enable register to 0 for masking incorrect interrupts that may occur while changing the bus width.
- (2) In case of SD memory only card, go to step (4). In case of other card, go to step (3).
- (3) Set "IENM" of the CCCR in a SDIO or SD combo card to 0 by CMD52.
- (4) Change the bit mode for a SD card. Changing SD memory card bus width by ACMD6(Set bus width) and changing SDIO card bus width by setting Bus Width of Bus Interface Control register in CCCR.
- (5) In case of changing to 4-bit mode, set Data Transfer Width(WIDE4) in the Host Control register to 1. In another case (1-bit mode), set this bit to 0.
- (6) In case of SD memory only card, go to the 'End'. In case of other card, go to step (7).
- (7) Set "IENM" of the CCCR in a SDIO or SD combo card to 1 by CMD52.
- (8) Set Card Interrupt Status Enable in the Normal Interrupt Status Enable register to 1.

4.7 TIMEOUT SETTING FOR DAT LINE

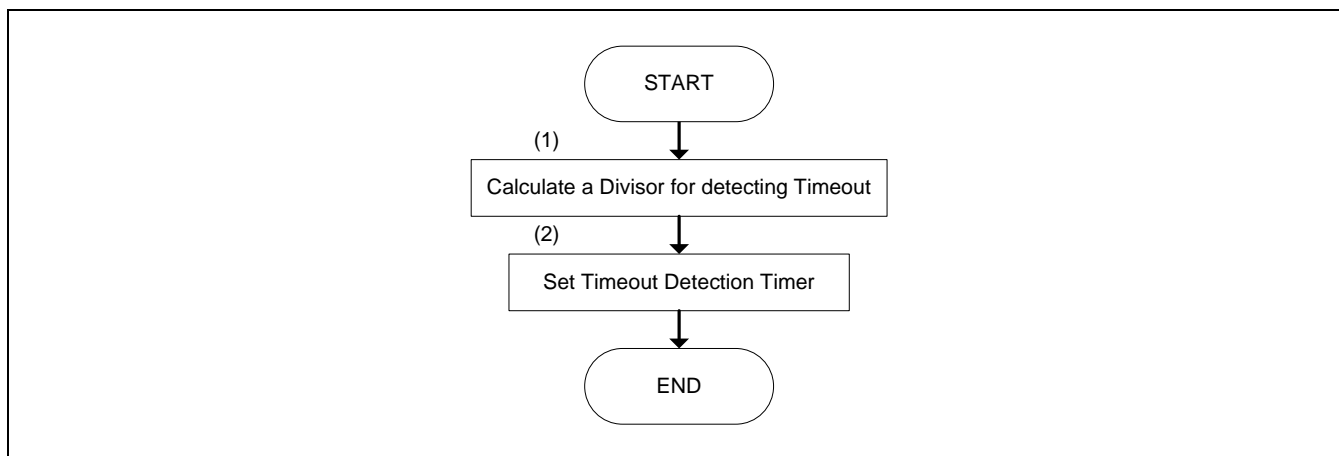


Figure 20-8. Timeout Setting Sequence

In order to detect timeout errors on DAT line, the Host Driver shall execute the following two steps before any SD transaction.

- (1) Calculate a divisor to detect timeout errors by reading Timeout Clock Frequency and Timeout Clock Unit in the Capabilities register. If Timeout Clock Frequency is 00 0000b, the Host System shall provide this information to the Host Driver by another method.
- (2) Set Data Timeout Counter Value(TIMEOUTCON) in the Timeout Control register in accordance with the value from step (1) above.

4.8 SD TRANSACTION GENERATION

This section describes the sequences how to generate and control various kinds of SD transactions. SD transactions are classified into three cases:

- (1) Transactions that do not use the DAT line.
- (2) Transactions that use the DAT line only for the busy signal.
- (3) Transactions that use the DAT line for transferring data.

In this specification the first and the second case's transactions are classified as "Transaction Control without Data Transfer using DAT Line," the third case's transaction is classified as "Transaction Control with Data Transfer using DAT Line."

Please refer to the specifications below for the detailed specifications on the SD Command itself:

- SD Memory Card Specification Part 1
PHYSICAL LAYER SPECIFICATION Version 1.01
- SD Card Specification PART E1
Secure Digital Input/Output (SDIO) Specification Version 1.00

4.9 SD COMMAND ISSUE SEQUENCE

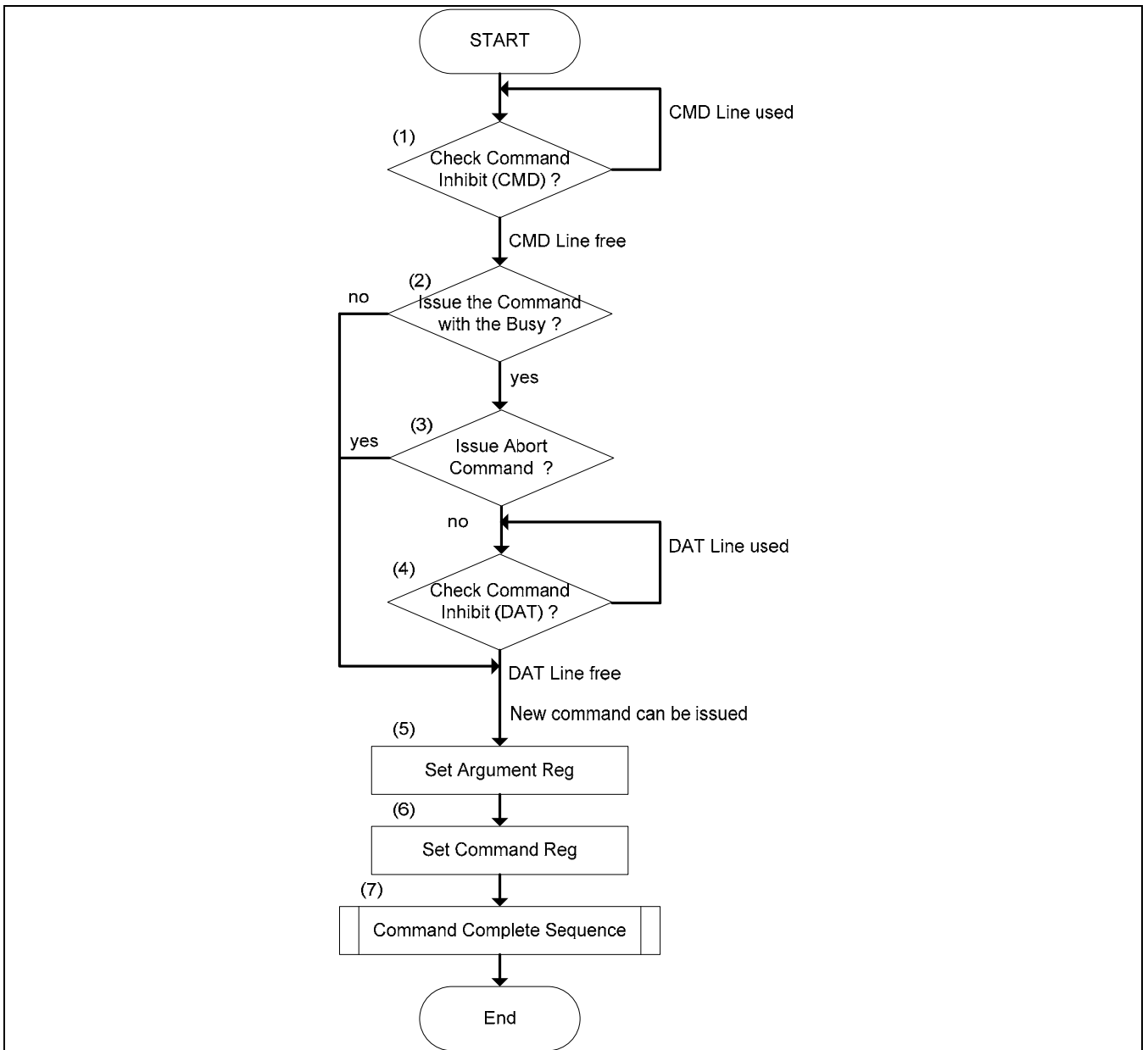


Figure 20-9. Timeout Setting Sequence

- (1) Check Command Inhibit (CMD) in the Present State register. Repeat this step until Command Inhibit (CMD) is 0. That is, when Command Inhibit (CMD) is 1, the Host Driver shall not issue a SD Command.
- (2) If the Host Driver issues a SD Command with busy signal, go to step (3). If without busy signal, go to step (5).
- (3) If the Host Driver issues an abort command, go to step (5). In the case of no abort command, go to step (4).
- (4) Check Command Inhibit (DAT) in the Present State register. Repeat this step until Command Inhibit (DAT) is 0.
- (5) Set the value corresponding to the issued command in the Argument register.
- (6) Set the value corresponding to the issued command in the Command register.

NOTE: Writing the upper byte in the Command register causes a SD command to be issued.

- (7) Perform Command Complete Sequence

4.10 COMMAND COMPLETE SEQUENCE

The sequence for completing the SD Command is shown in Figure 20-10. There is a possibility that the errors (Command Index/End bit/CRC/Timeout Error) occur during this sequence.

- (1) Wait for the Command Complete Interrupt. If the Command Complete Interrupt has occurred, go to step (2).
- (2) Write 1 to Command Complete(STACMDCMPLT) in the Normal Interrupt Status register to clear this bit.
- (3) Read the Response register and get necessary information in accordance with the issued command.
- (4) Judge whether the command uses the Transfer Complete Interrupt or not. If it uses Transfer Complete, go to step (5). If not, go to step (7).
- (5) Wait for the Transfer Complete Interrupt. If the Transfer Complete Interrupt has occurred, go to step (6).
- (6) Write 1 to Transfer Complete(STATRANCMLPT) in the Normal Interrupt Status register to clear this bit.
- (7) Check for errors in Response Data. If there is no error, go to step (8). If there is an error, go to step (9).
- (8) Return Status of "No Error".
- (9) Return Status of "Response Contents Error".

NOTES:

1. While waiting for the Transfer Complete interrupt, the Host Driver shall only issue commands that do not use the busy signal.
2. The Host Driver shall judge the Auto CMD12(Stop Command) complete by monitoring Transfer Complete.
3. When the last block of un-protected area is read using memory multiple blocks read command (CMD18), OUT_OF_RANGE error may occur even if the sequence is correct. The Host Driver should ignore it. This error will appear in the response of Auto CMD12 or in the response of the next memory command.

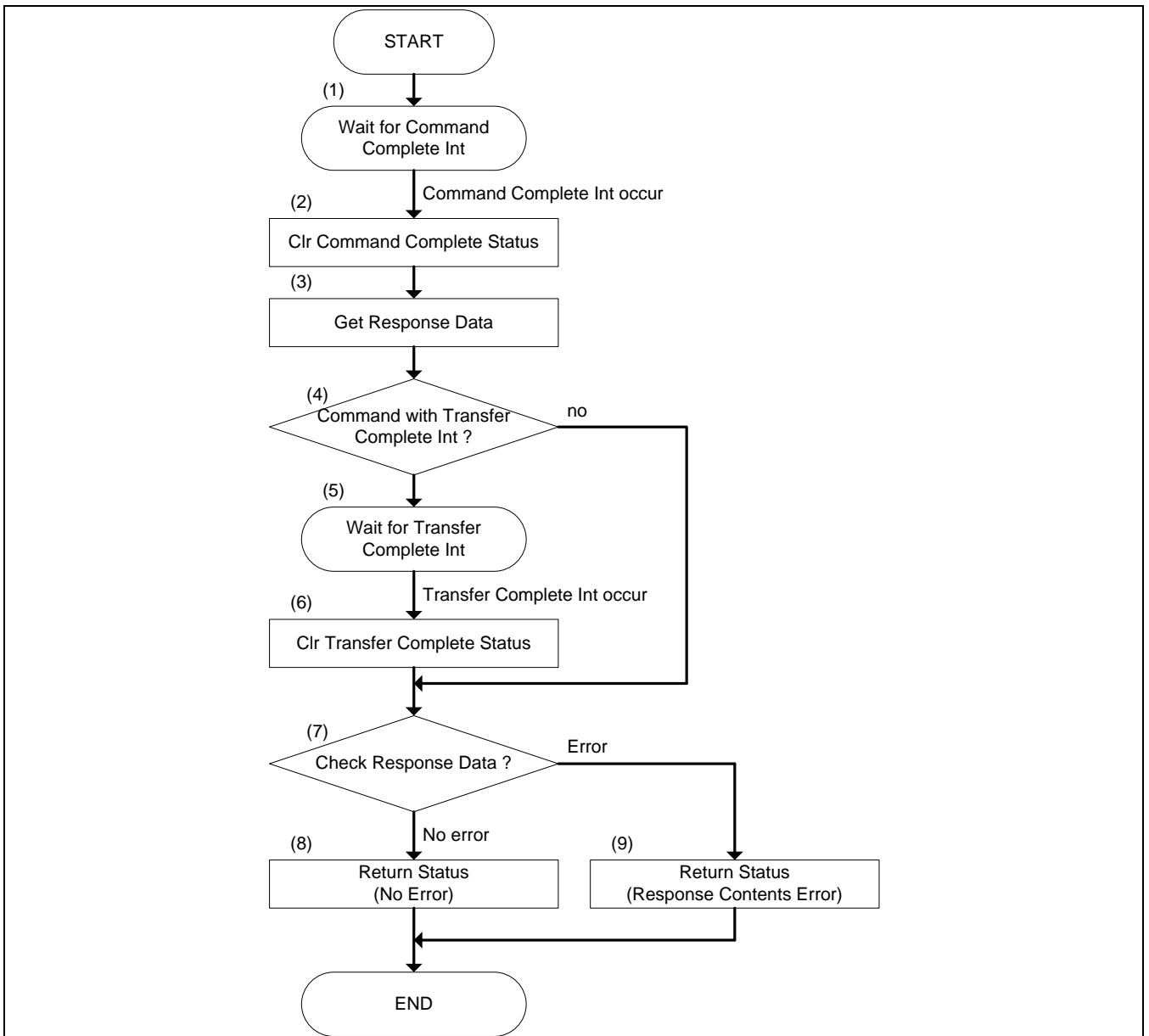


Figure 20-10. Command Complete Sequence

4.11 TRANSACTION CONTROL WITH DATA TRANSFER USING DAT LINE

Depending on whether DMA (optional) is used or not, there are two execution methods. The sequence not using DMA is shown in Figure 20-11 and the sequence using DMA is shown in Figure 20-12.

In addition, the sequences for SD transfers are basically classified into following three kinds according to how the number of blocks is specified :

1) Single Block Transfer:

The number of blocks is specified to the Host Controller before the transfer. The number of blocks specified is always one.

2) Multiple Block Transfer:

The number of blocks is specified to the Host Controller before the transfer. The number of blocks specified shall be one or more.

3) Infinite Block Transfer:

The number of blocks is not specified to the Host Controller before the transfer. This transfer is continued until an abort transaction is executed. This abort transaction is performed by CMD12(Stop Command) in the case of a SD memory card, and by CMD52(IO_RW_DIRECT) in the case of a SDIO card.

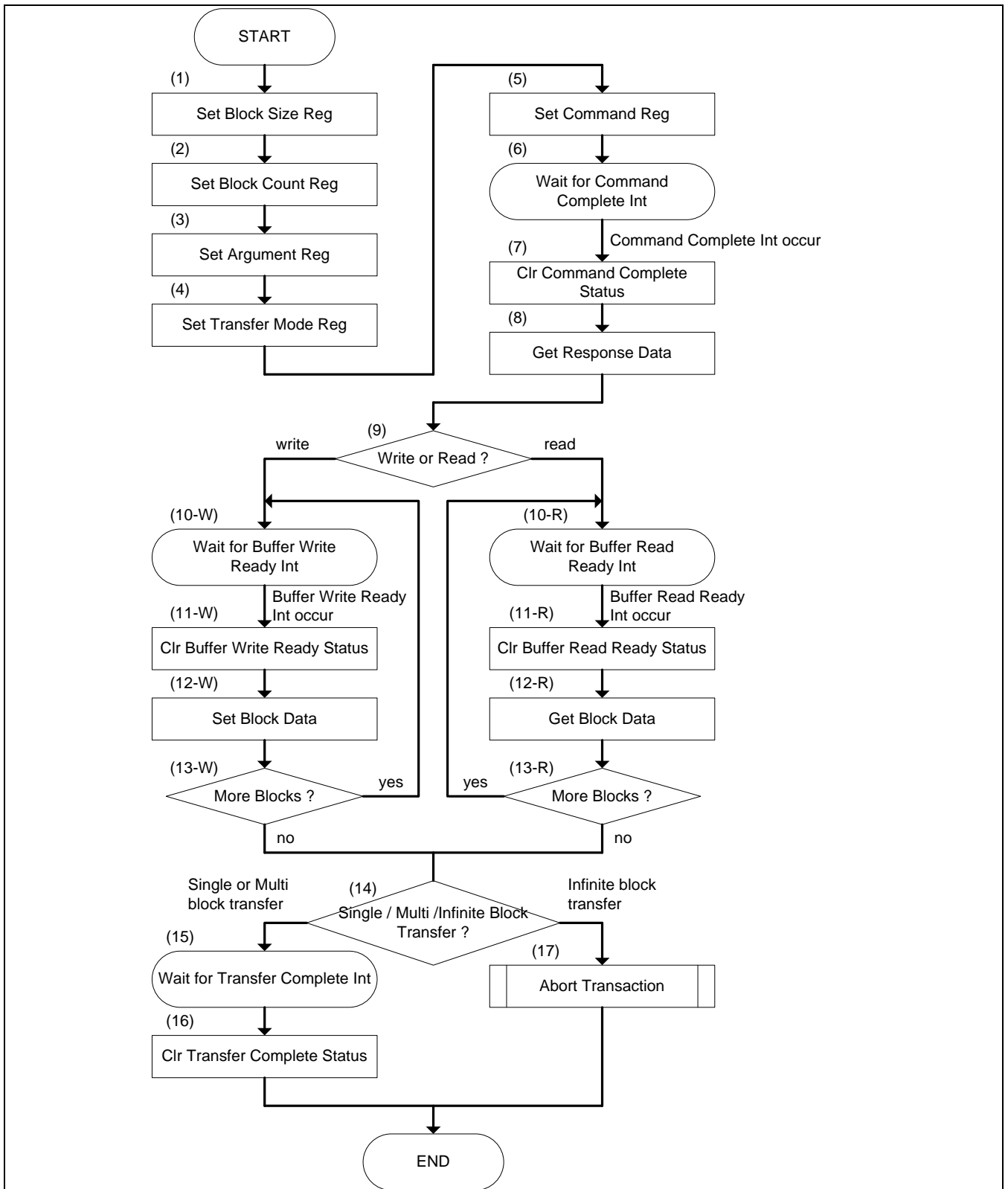


Figure 20-11. Transaction Control with Data Transfer Using DAT Line Sequence (Not using DMA)

- (1) Set the value corresponding to the executed data byte length of one block to Block Size register.
- (2) Set the value corresponding to the executed data block count to Block Count Register.
- (3) Set the value corresponding to the issued command to Argument register.
- (4) Set the value to Multi / Single Block Select and Block Count Enable. And at this time, set the value corresponding to the issued command to Data Transfer Direction, Auto CMD12 Enable and DMA Enable.
- (5) Set the value corresponding to the issued command to Command register.

NOTE: When writing the upper byte of Command register, SD command is issued.

- (6) And then, wait for the Command Complete Interrupt.
- (7) Write 1 to the Command Complete(STACMDCMPLT) in the Normal Interrupt Status register for clearing this bit.
- (8) Read Response register and get necessary information in accordance with the issued command.
- (9) In the case where this sequence is for write to a card, go to step (10-W). In case of read from a card, go to step (10-R).
- (10-W) And then wait for Buffer Write Ready Interrupt.
- (11-W) Write 1 to the Buffer Write Ready(STABUFWTRDY) in the Normal Interrupt Status register for clearing this bit.
- (12-W) Write block data (in according to the number of bytes specified at the step (1)) to Buffer Data Port register.
- (13-W) Repeat until all blocks are sent and then go to step (14).
- (10-R) And then wait for the Buffer Read Ready Interrupt.
- (11-R) Write 1 to the Buffer Read Ready(STABUFRDRDY) in the Normal Interrupt Status register for clearing this bit.
- (12-R) Read block data (in according to the number of bytes specified at the step (1)) from the Buffer Data Port register.
- (13-R) Repeat until all blocks are received and then go to step (14).
- (14) If this sequence is for Single or Multiple Block Transfer, go to step (15). In case of Infinite Block Transfer, go to step (17).
- (15) Wait for Transfer Complete Interrupt.
- (16) Write 1 to the Transfer Complete(STATRANCMPLT) in the Normal Interrupt Status register for clearing this bit.
- (17) Perform the sequence for Abort Transaction.

NOTE: Step (1) and Step (2) can be executed at same time. Step (4) and Step (5) can be executed at same time

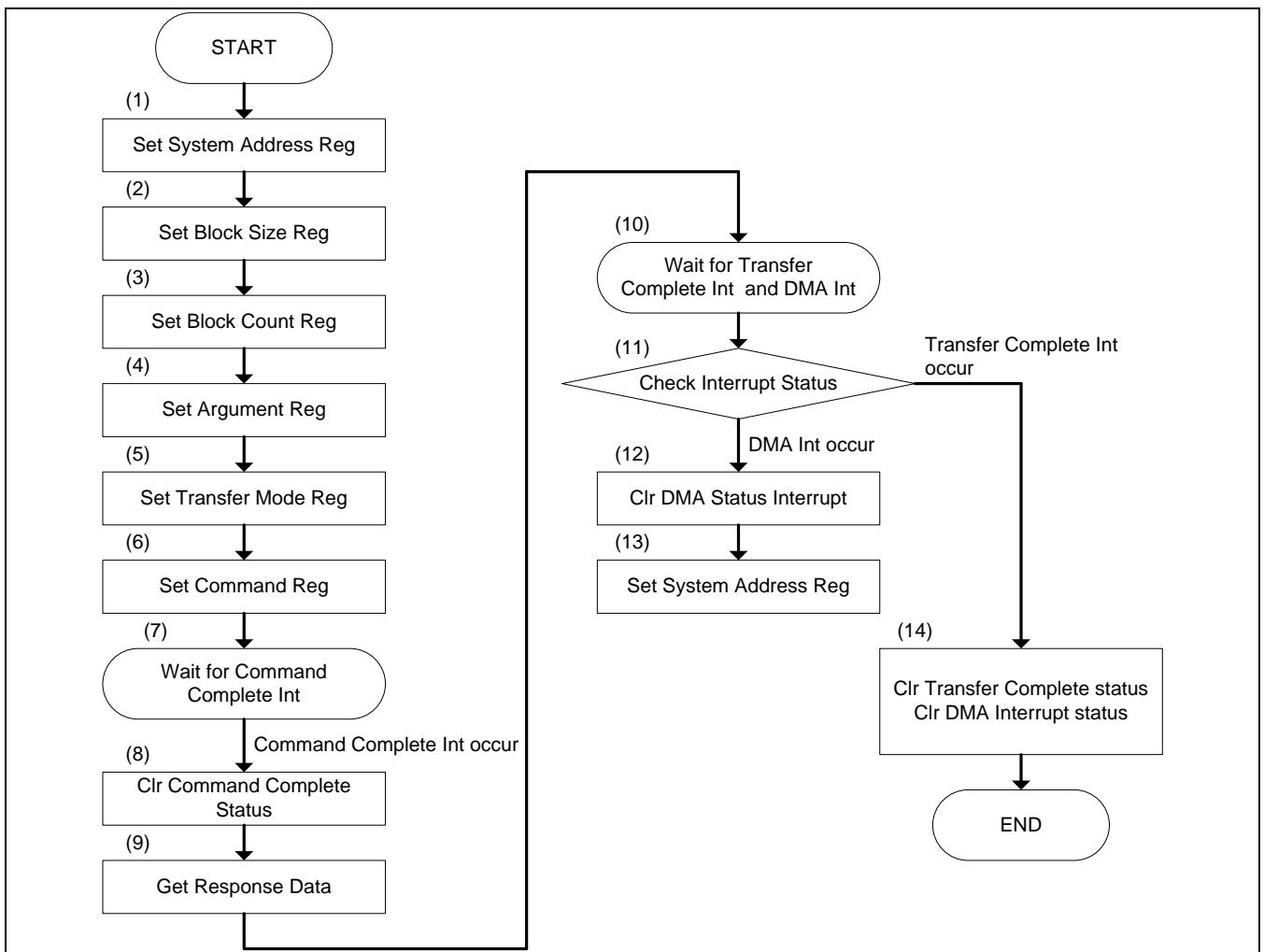


Figure 20-12. Transaction Control with Data Transfer Using DAT Line Sequence (Using DMA)

- (1) Set the system address for DMA in the System Address register.
- (2) Set the value corresponding to the executed data byte length of one block in the Block Size register.
- (3) Set the value corresponding to the executed data block count in the Block Count register(BLKCNT).
- (4) Set the value corresponding to the issued command in the Argument register(ARGUMENT).
- (5) Set the values for Multi / Single Block Select and Block Count Enable.

And at this time, set the value corresponding to the issued command for Data Transfer Direction, Auto CMD12 Enable and DMA Enable.

- (6) Set the value corresponding to the issued command in the Command register(CMDREG).

NOTE: When writing to the upper byte of the Command register, the SD command is issued and DMA is started.

- (7) And then wait for the Command Complete Interrupt.
- (8) Write 1 to the Command Complete(STACMDCMPLT) in the Normal Interrupt Status register to clear this bit.
- (9) Read Response register and get necessary information in accordance with the issued command.

(10) Wait for the Transfer Complete Interrupt and DMA Interrupt.

(11) If Transfer Complete (STATRANCMPLT) is set 1, go to Step (14) else if DMA Interrupt is set to 1, go to Step (12). Transfer Complete is higher priority than DMA Interrupt.

(12) Write 1 to the DMA Interrupt in the Normal Interrupt Status register to clear this bit.

(13) Set the next system address of the next data position to the System Address register and go to Step (10).

(14) Write 1 to the Transfer Complete and DMA Interrupt in the Normal Interrupt Status register to clear this bit.

NOTE: Step (2) and Step (3) can be executed simultaneously. Step (5) and Step (6) can also be executed simultaneously.

4.12 ABORT TRANSACTION

An abort transaction is performed by issuing CMD12 for a SD memory card and by issuing CMD52 for a SDIO card. There are two cases where the Host Driver needs to do an Abort Transaction. The first case is when the Host Driver stops Infinite Block Transfers. The second case is when the Host Driver stops transfers while a Multiple Block Transfer is executing.

There are two ways to issue an Abort Command. The first is an asynchronous abort. The second is a synchronous abort. In an asynchronous abort sequence, the Host Driver can issue an Abort Command at anytime unless **Command Inhibit (CMD)** in the *Present State* register is set to 1. In a synchronous abort, the Host Driver shall issue an Abort Command after the data transfer stopped by using **Stop At Block Gap Request** in the *Block Gap Control* register.

5 SDI SPECIAL REGISTERS

5.1 CONFIGURATION REGISTER TYPES

Configuration register fields are assigned one of the attributes described below :

Register Attribute	Description
RO	Read-only register: Register bits are read-only and cannot be altered by software or any reset operation. Writes to these bits are ignored.
ROC	Read-only status : These bits are initialized to zero at reset. Writes to these bits are ignored.
RW or R/W	Read-write register : Register bits are read-write and may be either set or cleared by software to the desired state.
RW1C	Read-only status, Write-1-to-clear status: Register bits indicate status when read, a set bit indicating a status event may be cleared by writing a 1. Writing a 0 to RW1C bits has no effect.
RWAC	Read-Write, automatic clear register: The Host Driver requests a Host Controller operation by setting the bit. The Host Controllers shall clear the bit automatically when the operation of complete. Writing a 0 to RWAC bits has no effect.
HWInit	Hardware Initialized: Register bits are initialized by firmware or hardware mechanisms such as pin strapping or serial EEPROM. Bits are read-only after initialization, and writes to these bits are ignored.
Rsvd or Reserved	Reserved. These bits are initialized to zero, and writes to them are ignored.

	Address
HSMMC0_BASE	0x4AC0_0000
HSMMC1_BASE	0x4A80_0000

5.2 SDMA SYSTEM ADDRESS REGISTER

Register	Address	R/W	Description	Reset Value
SYSAD0	0X4AC00000	R/W	System Address register (Channel 0)	0x0
SYSAD1	0X4A800000	R/W	System Address register (Channel 1)	0x0

This register contains the physical system memory address used for DMA transfers.

Name	Bit	Description	Initial Value
SYSAD	[31:0]	<p>SDMA System Address</p> <p>This register contains the system memory address for a DMA transfer. When the Host Controller stops a DMA transfer, this register shall point to the system address of the next contiguous data position. It can be accessed only if no transaction is executing (i.e., after a transaction has stopped). Read operations during transfers may return an invalid value.</p> <p>The Host Driver shall initialize this register before starting a DMA transaction. After DMA has stopped, the next system address of the next contiguous data position can be read from this register.</p> <p>The DMA transfer waits at the every boundary specified by the Host SDMA Buffer Boundary in the <i>Block Size</i> register. The Host Controller generates DMA Interrupt to request the Host Driver to update this register. The Host Driver set the next system address of the next data position to this register. When the most upper byte of this register (003h) is written, the Host Controller restarts the DMA transfer. When restarting DMA by the Resume command or by setting Continue Request in the <i>Block Gap Control</i> register, the Host Controller shall start at the next contiguous address stored here in the <i>System Address</i> register.</p>	0x00

5.3 BLOCK SIZE REGISTER

This register is used to configure the number of bytes in a data block.

Register	Address	R/W	Description	Reset Value
BLKSIZE0	0X4AC00004	R/W	Host DMA Buffer Boundary and Transfer Block Size Register (Channel 0)	0x0
BLKSIZE1	0X4A800004	R/W	Host DMA Buffer Boundary and Transfer Block Size Register (Channel 1)	0x0

Name	Bit	Description	Initial Value
	[15]	Reserved	0
BUFBOUND	[14:12]	<p>Host DMA Buffer Boundary</p> <p>The large contiguous memory space may not be available in the virtual memory system. To perform long DMA transfer, <i>System Address</i> register shall be updated at every system memory boundary during DMA transfer. These bits specify the size of contiguous buffer in the system memory. The DMA transfer shall wait at the every boundary specified by these fields and the Host Controller generates the DMA Interrupt to request the Host Driver to update the <i>System Address</i> register.</p> <p>In case of this register is set to 0 (buffer size = 4K bytes), lower 12-bit of byte address points data in the contiguous buffer and the upper 20-bit points the location of the buffer in the system memory. The DMA transfer stops when the Host Controller detects carry out of the address from bit 11 to 12.</p> <p>These bits shall be supported when the DMA Support in the <i>Capabilities</i> register is set to 1 and this function is active when the DMA Enable in the <i>Transfer Mode</i> register is set to 1.</p> <p>000b = 4K bytes (Detects A11 carry out) 001b = 8K bytes (Detects A12 carry out) 010b = 16K Bytes (Detects A13 carry out) 011b = 32K Bytes (Detects A14 carry out) 100b = 64K bytes (Detects A15 carry out) 101b = 128K Bytes (Detects A16 carry out) 110b = 256K Bytes (Detects A17 carry out) 111b = 512K Bytes (Detects A18 carry out)</p>	0

Name	Bit	Description	Initial Value
BLKSIZE	[11:0]	<p>Transfer Block Size</p> <p>This register specifies the block size of data transfers for CMD17, CMD18, CMD24, CMD25, and CMD53. Values ranging from 1 up to the maximum buffer size can be set. In case of memory, it shall be set up to 512 bytes. It can be accessed only if no transaction is executing (i.e., after a transaction has stopped). Read operations during transfers may return an invalid value, and write operations shall be ignored.</p> <p>0200h = 512 Bytes 01FFh = 511 Bytes ... 0004h = 4 Bytes 0003h = 3 Bytes 0002h = 2 Bytes 0001h = 1 Byte 0000h = No data transfer</p>	0

5.4 BLOCK COUNT REGISTER

This register is used to configure the number of data blocks.

Register	Address	R/W	Description	Reset Value
BLKCNT0	0X4AC00006	R/W	Blocks Count For Current Transfer (Channel 0)	0x0
BLKCNT1	0X4A800006	R/W	Blocks Count For Current Transfer (Channel 1)	0x0

Name	Bit	Description	Initial Value
BLKCNT	[15:0]	<p>Blocks Count For Current Transfer</p> <p>This register is enabled when Block Count Enable in the <i>Transfer Mode</i> register is set to 1 and is valid only for multiple block transfers. The Host Driver shall set this register to a value between 1 and the maximum block count. The Host Controller decrements the block count after each block transfer and stops when the count reaches zero. Setting the block count to 0 results in no data blocks being transferred.</p> <p>This register should be accessed only when no transaction is executing (i.e., after transactions are stopped). During data transfer, read operations on this register may return an invalid value and write operations are ignored. When saving transfer context as a result of a Suspend command, the number of blocks yet to be transferred can be determined by reading this register. When restoring transfer context prior to issuing a Resume command, the Host Driver shall restore the previously saved block count.</p> <p>FFFFh = 65535 blocks 0002h = 2 blocks 0001h = 1 block 0000h = Stop Count</p>	0

5.5 ARGUMENT REGISTER

This register contains the SD Command Argument.

Register	Address	R/W	Description	Reset Value
ARGUMENT0	0X4AC00008	R/W	Command Argument Register (Channel 0)	0x0
ARGUMENT1	0X4A800008	R/W	Command Argument Register (Channel 1)	0x0

Name	Bit	Description	Initial Value
ARGUMENT	[31:0]	Command Argument The SD Command Argument is specified as bit39-8 of Command-Format in the SD Memory Card Physical Layer Specification.	0

5.6 TRANSFER MODE REGISTER

This register is used to control the operation of data transfers. The Host Driver shall set this register before issuing a command which transfers data (see **Data Present Select** in the *Command* register), or before issuing a Resume command. The Host Driver shall save the value of this register when the data transfer is suspended (as a result of a Suspend command) and restore it before issuing a Resume command. To prevent data loss, the Host Controller shall implement write protection for this register during data transactions. Writes to this register shall be ignored when the **Command Inhibit (DAT)** in the *Present State* register is 1.

Register	Address	R/W	Description	Reset Value
TRNMOD0	0X4AC0000C	R/W	Transfer Mode Setting Register (Channel 0)	0x0
TRNMOD1	0X4A80000C	R/W	Transfer Mode Setting Register (Channel 1)	0x0

Name	Bit	Description	Initial Value
	[15:10]	Reserved	0
CCSCON	[9:8]	Command Completion Signal Control 00 = No CCS Operation (Normal operation, Not CE-ATA mode) 01 = Read or Write data transfer CCS enable (Only CE-ATA mode) 10 = Without data transfer CCS enable (Only CE-ATA mode) 11 = Abort Completion Signal (ACS) generation (Only CE-ATA mode)	0
	[7:6]	Reserved	0
MUL1SIN0	[5]	Multi / Single Block Select This bit enables multiple block DAT line data transfers. For any other commands, this bit shall be set to 0. If this bit is 0, it is not necessary to set the <i>Block Count</i> register. (Refer to the Table below " Determination of Transfer Type ") 1 = Multiple Block 0 = Single Block	0
RD1WT0	[4]	Data Transfer Direction Select This bit defines the direction of DAT line data transfers. The bit is set to 1 by the Host Driver to transfer data from the SD card to the SD Host Controller and it is set to 0 for all other commands. 1 = Read (Card to Host) 0 = Write (Host to Card)	0
	[3]	Reserved	0
ENACMD12	[2]	Auto CMD12 Enable Multiple block transfers for memory require CMD12 to stop the transaction. When this bit is set to 1, the Host Controller shall issue CMD12 automatically when last block transfer is completed. The Host Driver shall not set this bit to issue commands that do not require CMD12 to stop data transfer. 1 = Enable 0 = Disable	0

Name	Bit	Description	Initial Value
ENBLKCNT	[1]	<p>Block Count Enable</p> <p>This bit is used to enable the <i>Block Count</i> register, which is only relevant for multiple block transfers. When this bit is 0, the <i>Block Count</i> register is disabled, which is useful in executing an infinite transfer. (Refer to the Table below "Determination of Transfer Type")</p> <p>1 = Enable 0 = Disable</p>	0
ENDMA	[0]	<p>DMA Enable</p> <p>This bit enables DMA functionality. DMA can be enabled only if it is supported as indicated in the DMA Support in the <i>Capabilities</i> register. If DMA is not supported, this bit is meaningless and shall always read 0. If this bit is set to 1, a DMA operation shall begin when the Host Driver writes to the upper byte of <i>Command</i> register (00Fh).</p> <p>1 = Enable 0 = Disable</p>	0

Table below shows the summary of how register settings determine types of data transfer.

Table 20-1. Determination of Transfer Type

Multi/Single Block Select	Block Count Enable	<i>Block Count</i>	Function
0	Don't care	Don't care	Single Transfer
1	0	Don't care	Infinite Transfer
1	1	Not Zero	Multiple Transfer
1	1	Zero	Stop Multiple Transfer

NOTE: For CE-ATA access, (Auto) CMD12 should be issued after Command Completion Signal Disable

5.7 COMMAND REGISTER

This register contains the SD Command Argument.

Register	Address	R/W	Description	Reset Value
CMDREG0	0X4AC0000E	R/W	Command Register (Channel 0)	0x0
CMDREG1	0X4A80000E	R/W	Command Register (Channel 1)	0x0

The Host Driver shall check the **Command Inhibit (DAT)** bit and **Command Inhibit (CMD)** bit in the *Present State* register before writing to this register. Writing to the upper byte of this register triggers SD command generation. The Host Driver has the responsibility to write this register because the Host Controller does not protect for writing when **Command Inhibit (CMD)** is set.

Name	Bit	Description	Initial Value
	[15:14]	Reserved	
CMDIDX	[13:8]	Command Index These bits shall be set to the command number (CMD0-63, ACMD0-63) that is specified in bits 45-40 of the Command-Format in the SD Memory Card Physical Layer Specification and SDIO Card Specification.	
CMDTYP	[7:6]	Command Type There are three types of special commands: Suspend, Resume and Abort. These bits shall be set to 00b for all other commands. <ul style="list-style-type: none"> • Suspend Command If the Suspend command succeeds, the Host Controller shall assume the SD Bus has been released and that it is possible to issue the next command which uses the DAT line. The Host Controller shall de-assert Read Wait for read transactions and stop checking busy for write transactions. The interrupt cycle shall start, in 4-bit mode. If the Suspend command fails, the Host Controller shall maintain its current state, and the Host Driver shall restart the transfer by setting Continue Request in the <i>Block Gap Control</i> register. <ul style="list-style-type: none"> • Resume Command The Host Driver re-starts the data transfer by restoring the registers in the range of 000-00Dh. (Refer to Suspend and Resume mechanism) The Host Controller shall check for busy before starting write transfers. • Abort Command If this command is set when executing a read transfer, the Host Controller shall stop reads to the buffer. If this command is set when executing a write transfer, the Host Controller shall stop driving the DAT line. After issuing the Abort command, the Host Driver should issue a software reset. (Refer to Abort Transaction) 11b = Abort CMD12, CMD52 for writing "I/O Abort" in CCCR 10b = Resume CMD52 for writing "Function Select" in CCCR 01b = Suspend CMD52 for writing "Bus Suspend" in CCCR 00b = Normal Other commands 	

Name	Bit	Description	Initial Value
DATAPRNT	[5]	Data Present Select This bit is set to 1 to indicate that data is present and shall be transferred using the DAT line. It is set to 0 for the following: (1) Commands using only CMD line (ex. CMD52). (2) Commands with no data transfer but using busy signal on DAT[0] line (R1b or R5b ex. CMD38) (3) Resume command 1 = Data Present 0 = No Data Present	
ENCMDIDX	[4]	Command Index Check Enable If this bit is set to 1, the Host Controller shall check the Index field in the response to see if it has the same value as the command index. If it is not, it is reported as a Command Index Error. If this bit is set to 0, the Index field is not checked. 1 = Enable 0 = Disable	
ENCMDCR C	[3]	Command CRC Check Enable If this bit is set to 1, the Host Controller shall check the CRC field in the response. If an error is detected, it is reported as a Command CRC Error. If this bit is set to 0, the CRC field is not checked. The number of bits checked by the CRC field value changes according to the length of the response. 1 = Enable 0 = Disable	
	[2]	Reserved	
RSPTYP	[1:0]	Response Type Select 00 = No Response 01 = Response Length 136 10 = Response Length 48 11 = Response Length 48 check Busy after response	

Table 20-2. Relation Between Parameters and the Name of Response Type

Response Type	Index Check Enable	CRC Check Enable	Name of Response Type
00	0	0	No Response
01	0	1	R2
10	0	0	R3, R4
10	1	1	R1, R6, R5, R7
11	1	1	R1b, R5b

These bits determine Response types.

NOTES:

1. In the SDIO specification, response type notation of R5b is not defined. R5 includes R5b in the SDIO specification. But R5b is defined in this specification to specify the Host Controller shall check busy after receiving response. For example, usually CMD52 is used as R5 but I/O abort command shall be used as R5b.
2. For CMD52 to read BS after writing "Bus Suspend," Command Type should be "Suspend" as well.

5.8 RESPONSE REGISTER

This register is used to store responses from SD cards.

Register	Address	R/W	Description	Reset Value
RSPREG0_0	0X4AC00010	ROC	Response Register 0 (Channel 0)	0x0
RSPREG1_0	0X4AC00014	ROC	Response Register 1 (Channel 0)	0x0
RSPREG2_0	0X4AC00018	ROC	Response Register 2 (Channel 0)	0x0
RSPREG3_0	0X4AC0001C	ROC	Response Register 3 (Channel 0)	0x0
Register	Address	R/W	Description	Reset Value
RSPREG0_1	0X4A800010	ROC	Response Register 0 (Channel 1)	0x0
RSPREG1_1	0X4A800014	ROC	Response Register 1 (Channel 1)	0x0
RSPREG2_1	0X4A800018	ROC	Response Register 2 (Channel 1)	0x0
RSPREG3_1	0X4A80001C	ROC	Response Register 3 (Channel 1)	0x0

Name	Bit	Description	Initial Value
CMDRSP	[127:0]	Command Response The Table below describes the mapping of command responses from the SD Bus to this register for each response type. In the table, R[] refers to a bit range within the response data as transmitted on the SD Bus, REP[] refers to a bit range within the <i>Response</i> register. 128-bit Response bit order : {RSPREG3, RSPREG2, RSPREG1, RSPREG0}	

Table 20-3. Response Bit Definition for Each Response Type.

Kind of Response	Meaning of Response	Response Field	Response Register
R1, R1b (normal response)	Card Status	R [39:8]	REP [31:0]
R1b (Auto CMD12 response)	Card Status for Auto CMD12	R [39:8]	REP [127:96]
R2 (CID, CSD register)	CID or CSD reg. incl.	R [127:8]	REP [119:0]
R3 (OCR register)	OCR register for memory	R [39:8]	REP [31:0]
R4 (OCR register)	OCR register for I/O etc	R [39:8]	REP [31:0]
R5,R5b	SDIO response	R [39:8]	REP [31:0]
R6 (Published RCA response)	New published RCA[31:16] etc	R [39:8]	REP [31:0]
R7	?	R [39:8]	REP [31:0]

The Response Field indicates bit positions of “Responses” defined in the PHYSICAL LAYER SPECIFICATION Version 1.01. The Table (upper) shows that most responses with a length of 48 (R[47:0]) have 32 bits of the response data (R[39:8]) stored in the *Response* register at REP[31:0]. Responses of type R1b (Auto CMD12 responses) have response data bits R[39:8] stored in the *Response* register at REP[127:96]. Responses with length 136 (R[135:0]) have 120 bits of the response data (R[127:8]) stored in the *Response* register at REP[119:0].

To be able to read the response status efficiently, the Host Controller only stores part of the response data in the *Response* register. This enables the Host Driver to efficiently read 32 bits of response data in one read cycle on a 32-bit bus system. Parts of the response, the Index field and the CRC, are checked by the Host Controller (as specified by the **Command Index Check Enable** and the **Command CRC Check Enable** bits in the *Command* register) and generate an error interrupt if an error is detected. The bit range for the CRC check depends on the response length. If the response length is 48, the Host Controller shall check R[47:1], and if the response length is 136 the Host Controller shall check R[119:1].

Since the Host Controller may have a multiple block data DAT line transfer executing concurrently with a CMD_wo_DAT command, the Host Controller stores the Auto CMD12 response in the upper bits (REP[127:96]) of the *Response* register. The CMD_wo_DAT response is stored in REP[31:0]. This allows the Host Controller to avoid overwriting the Auto CMD12 response with the CMD_wo_DAT and vice versa.

When the Host Controller modifies part of the *Response* register, as shown in the Table above, it shall preserve the unmodified bits.

NOTE: CMD_wo_DAT (Command without Data line) means the command not to use data line. The command set of this type depends on the card type (MMC, SD/SDIO or CE-ATA). Generally, the command using data line receives contents through “Buffer Data Port Register”, but the command without using data line receives contents through “RESPONSE register” in the Host Controller.

5.9 BUFFER DATA PORT REGISTER

32-bit data port register to access internal buffer.

Register	Address	R/W	Description	Reset Value
BDATA0	0X4AC00020	R/W	Buffer Data Register (Channel 0)	–
BDATA1	0X4A800020	R/W	Buffer Data Register (Channel 1)	–

Name	Bit	Description	Initial Value
BUFDAT	[31:0]	Buffer Data The Host Controller buffer can be accessed through this 32-bit <i>Data Port</i> register.	–

Detailed documents are to be copied from SD Host Standard Spec.

5.10 PRESENT STATE REGISTER

This register contains the SD Command Argument.

Register	Address	R/W	Description	Reset Value
PRNSTS0	0X4AC00024	RO/ROC	Present State Register (Channel 0)	0x000A0000
PRNSTS1	0X4A800024	RO/ROC	Present State Register (Channel 1)	0x000A0000

Name	Bit	Description	Initial Value
	[31:25]	Reserved	0
PRNTCMD	[24]	CMD Line Signal Level (RO) This status is used to check the CMD line level to recover from errors, and for debugging. Note: CMD port is mapped to SDx_CMD pin	0
PRNTDAT	[23:20]	DAT[3:0] Line Signal Level (RO) This status is used to check the DAT line level to recover from errors, and for debugging. This is especially useful in detecting the busy signal level from DAT[0] . D23 = DAT[3] D22 = DAT[2] D21 = DAT[1] D20 = DAT[0] Note: DAT port is mapped to SDx_DAT pin	Line State
PRNTWP	[19]	Write Protect Switch Pin Level (RO) The Write Protect Switch is supported for memory and combo cards. This bit reflects the SDWP# pin. 1 = Write enabled (SDWP#=1) 0 = Write protected (SDWP#=0) Note: SDWP# port is fixed to High.	1
PRNTCD	[18]	Card Detect Pin Level (RO) This bit reflects the inverse value of the SDCD# pin. Debouncing is not performed on this bit. This bit may be valid when Card State Stable is set to 1, but it is not guaranteed because of propagation delay. Use of this bit is limited to testing since it must be debounced by software. 1 = Card present (SDCD#=0) 0 = No card present (SDCD#=1) Note: SDCD# port is fixed to LOW.	Line State
STBLCARD	[17]	Card State Stable (RO) This bit is used for testing. If it is 0, the Card Detect Pin Level is not stable. If this bit is set to 1, it means the Card Detect Pin Level is stable. No Card state can be detected by this bit is set to 1 and Card Inserted is set to 0. The Software Reset For All in the <i>Software Reset</i> register shall not affect this bit. 1 = No Card or Inserted	1 (After Reset)

Name	Bit	Description	Initial Value
		0 = Reset or Debouncing	
INSCARD	[16]	<p>Card Inserted (RO)</p> <p>This bit indicates whether a card has been inserted. The Host Controller shall debounce this signal so that the Host Driver will not need to wait for it to stabilize. Changing from 0 to 1 generates a Card Insertion interrupt in the <i>Normal Interrupt Status</i> register and changing from 1 to 0 generates a Card Removal interrupt in the <i>Normal Interrupt Status</i> register. The Software Reset For All in the <i>Software Reset</i> register shall not affect this bit. If a card is removed while its power is on and its clock is oscillating, the Host Controller shall clear SD Bus Power in the <i>Power Control</i> register and SD Clock Enable in the <i>Clock Control</i> register.</p> <p>When this bit is changed from 1 to 0, the Host Controller shall immediately stop driving CMD and DAT[3:0] (tri-state). In addition, the Host Driver should clear the Host Controller by the Software Reset For All in <i>Software Reset</i> register. The card detect is active regardless of the SD Bus Power.</p> <p>1 = Card Inserted 0 = Reset or Debouncing or No Card</p>	0
	[15:14]	Reserved	
DIFF4W	[13]	<p>FIFO Pointer Difference 4-Word (ROC)</p> <p>When the difference of the address pointer between AHB side and SD side is more than or equal to 4-word, this status bit is set to HIGH. When others clears automatically.</p> <p>Write(Tx) mode : when this bit is HIGH, more than or equal to 4-word can be written by CPU side.</p> <p>Read(Rx) mode : when this bit is HIGH, more than or equal to 4-word can be read by CPU side.</p>	0
DIFF1W	[12]	<p>FIFO Pointer Difference 1-Word (ROC)</p> <p>When the difference of the address pointer between AHB side and SD side is more than or equal to 1-word, this status bit is set to HIGH. When others clears automatically.</p> <p>Write(Tx) mode : when this bit is HIGH, more than or equal to 1-word can be written by CPU side.</p> <p>Read(Rx) mode : when this bit is HIGH, more than or equal to 1-word can be read by CPU side.</p>	0
BUFRDRDY	[11]	<p>Buffer Read Enable (ROC)</p> <p>This status is used for non-DMA read transfers. The Host Controller may implement multiple buffers to transfer data efficiently. This read only flag indicates that valid data exists in the host side buffer status. If this bit is 1, readable data exists in the buffer. A change of this bit from 1 to 0 occurs when all the block data is read from the buffer. A change of this bit from 0 to 1 occurs when block data is ready in the buffer and generates the Buffer Read Ready interrupt.</p> <p>1 = Read enable 0 = Read disable</p>	0

Name	Bit	Description	Initial Value
BUFWTRDY	[10]	<p>Buffer Write Enable (ROC)</p> <p>This status is used for non-DMA write transfers. The Host Controller can implement multiple buffers to transfer data efficiently. This read only flag indicates if space is available for write data. If this bit is 1, data can be written to the buffer. A change of this bit from 1 to 0 occurs when all the block data is written to the buffer. A change of this bit from 0 to 1 occurs when top of block data can be written to the buffer and generates the Buffer Write Ready interrupt.</p> <p>1 = Write enable 0 = Write disable</p>	0
RDTRANACT	[9]	<p>Read Transfer Active (ROC)</p> <p>This status is used for detecting completion of a read transfer.</p> <p>This bit is set to 1 for either of the following conditions:</p> <ol style="list-style-type: none"> (1) After the end bit of the read command. (2) When writing a 1 to Continue Request in the <i>Block Gap Control</i> register to restart a read transfer. <p>This bit is cleared to 0 for either of the following conditions::</p> <ol style="list-style-type: none"> (1) When the last data block as specified by block length is transferred to the System. (2) When all valid data blocks have been transferred to the System and no current block transfers are being sent as a result of the Stop At Block Gap Request being set to 1. A Transfer Complete interrupt is generated when this bit changes to 0. <p>1 = Transferring data 0 = No valid data</p>	0
WTTRANACT	[8]	<p>Write Transfer Active (ROC)</p> <p>This status indicates a write transfer is active. If this bit is 0, it means no valid write data exists in the Host Controller.</p> <p>This bit is set in either of the following cases:</p> <ol style="list-style-type: none"> (1) After the end bit of the write command. (2) When writing a 1 to Continue Request in the <i>Block Gap Control</i> register to restart a write transfer. <p>This bit is cleared in either of the following cases:</p> <ol style="list-style-type: none"> (1) After getting the CRC status of the last data block as specified by the transfer count (Single and Multiple) (2) After getting the CRC status of any block where data transmission is about to be stopped by a Stop At Block Gap Request. <p>During a write transaction, a Block Gap Event interrupt is generated when this bit is changed to 0, as result of the Stop At Block Gap Request being set. This status is useful for the Host Driver in determining when to issue commands during write busy.</p> <p>1 = Transferring data 0 = No valid data</p>	0

Name	Bit	Description	Initial Value
	[7:3]	Reserved	0
DATLINEACT	[2]	<p>DAT Line Active (ROC)</p> <p>This bit indicates whether one of the DAT line on SD Bus is in use.</p> <p>(a) In the case of read transactions</p> <p>This status indicates if a read transfer is executing on the SD Bus. Changes in this value from 1 to 0 between data blocks generate a Block Gap Event interrupt in the <i>Normal Interrupt Status</i> register.</p> <p>This bit shall be set in either of the following cases:</p> <ol style="list-style-type: none"> (1) After the end bit of the read command. (2) When writing a 1 to Continue Request in the <i>Block Gap Control</i> register to restart a read transfer. <p>This bit shall be cleared in either of the following cases:</p> <ol style="list-style-type: none"> (1) When the end bit of the last data block is sent from the SD Bus to the Host Controller. (2) When beginning a wait read transfer at a stop at the block gap initiated by a Stop At Block Gap Request. <p>The Host Controller shall wait at the next block gap by driving Read Wait at the start of the interrupt cycle. If the Read Wait signal is already driven (data buffer cannot receive data), the Host Controller can wait for current block gap by continuing to drive the Read Wait signal. It is necessary to support Read Wait in order to use the suspend / resume function.</p> <p>(b) In the case of write transactions</p> <p>This status indicates that a write transfer is executing on the SD Bus. Changes in this value from 1 to 0 generate a Transfer Complete interrupt in the <i>Normal Interrupt Status</i> register.</p> <p>This bit shall be set in either of the following cases:</p> <ol style="list-style-type: none"> (1) After the end bit of the write command. (2) When writing to 1 to Continue Request in the <i>Block Gap Control</i> register to continue a write transfer. <p>This bit shall be cleared in either of the following cases:</p> <ol style="list-style-type: none"> (1) When the SD card releases write busy of the last data block the Host Controller shall also detect if output is not busy. If SD card does not drive busy signal for 8 SD Clocks, the Host Controller shall consider the card drive "Not Busy". (2) When the SD card releases write busy prior to waiting for write transfer as a result of a Stop At Block Gap Request. <p>1 = DAT Line Active 0 = DAT Line Inactive</p>	0
CMDINH DAT	[1]	<p>Data Inhibit (DAT) (ROC)</p> <p>This status bit is generated if either the DAT Line Active or the Read Transfer Active is set to 1. If this bit is 0, it indicates the Host Controller can issue the next SD Command. Commands with busy signal belong to Command Inhibit (DAT) (ex. R1b, R5b type).</p>	0

Name	Bit	Description	Initial Value
		<p>Changing from 1 to 0 generates a Transfer Complete interrupt in the <i>Normal Interrupt Status</i> register.</p> <p>Note: The SD Host Driver can save registers in the range of 000-00Dh for a suspend transaction after this bit has changed from 1 to 0.</p> <p>1 = Cannot issue command which uses the DAT line 0 = Can issue command which uses the DAT line</p>	
CMDINHCMD	[0]	<p>Command Inhibit (CMD) (ROC)</p> <p>If this bit is 0, it indicates the CMD line is not in use and the Host Controller can issue a SD Command using the CMD line.</p> <p>This bit is set immediately after the <i>Command</i> register (00Fh) is written. This bit is cleared when the command response is received. Even if the Command Inhibit (DAT) is set to 1, Commands using only the CMD line can be issued if this bit is 0. Changing from 1 to 0 generates a Command Complete interrupt in the <i>Normal Interrupt Status</i> register. If the Host Controller cannot issue the command because of a command conflict error (Refer to Command CRC Error) or because of Command Not Issued By Auto CMD12 Error, this bit shall remain 1 and the Command Complete is not set. Status issuing Auto CMD12 is not read from this bit.</p> <p>1 = Cannot issue command 0 = Can issue command using only CMD line</p>	0

NOTE: Buffer Write Enable in Present register should not be asserted for DMA transfers since it generates Buffer Write Ready interrupt

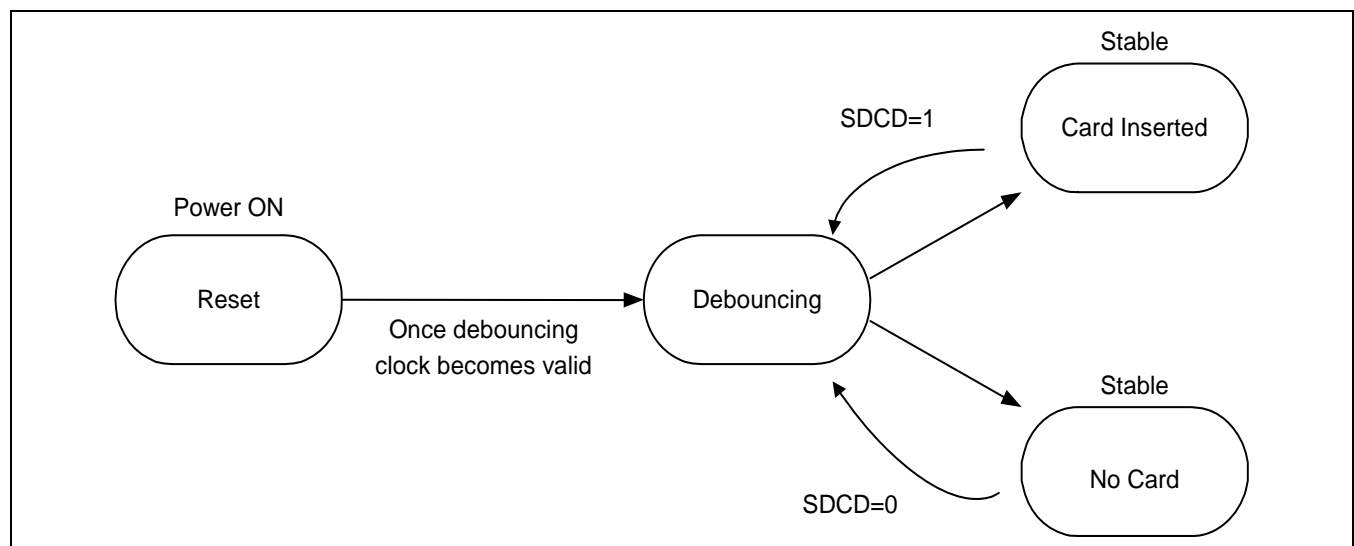


Figure 20-13. Card Detect State

The above Figure shows the state definitions of hardware that handles “Debouncing”.

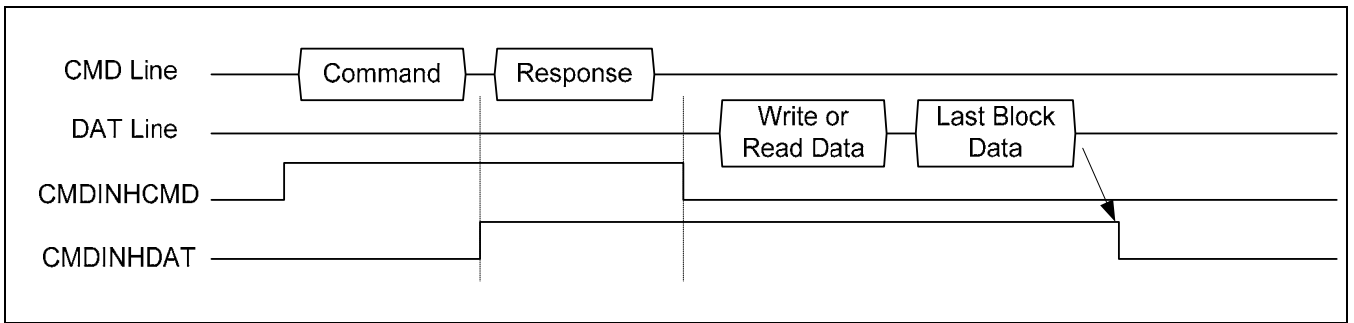


Figure 20-14. Timing of Command Inhibit (DAT) and Command Inhibit (CMD) with data transfer

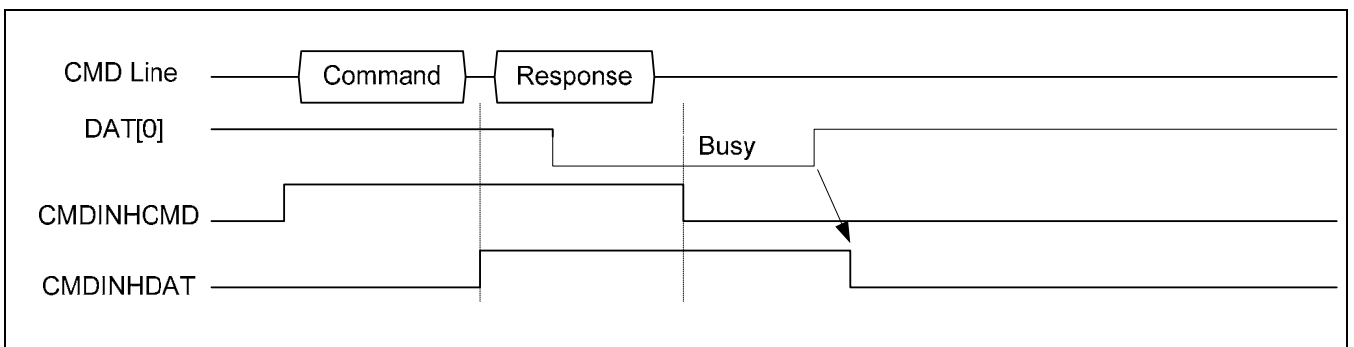


Figure 20-15. Timing of Command Inhibit (DAT) for the case of response with busy

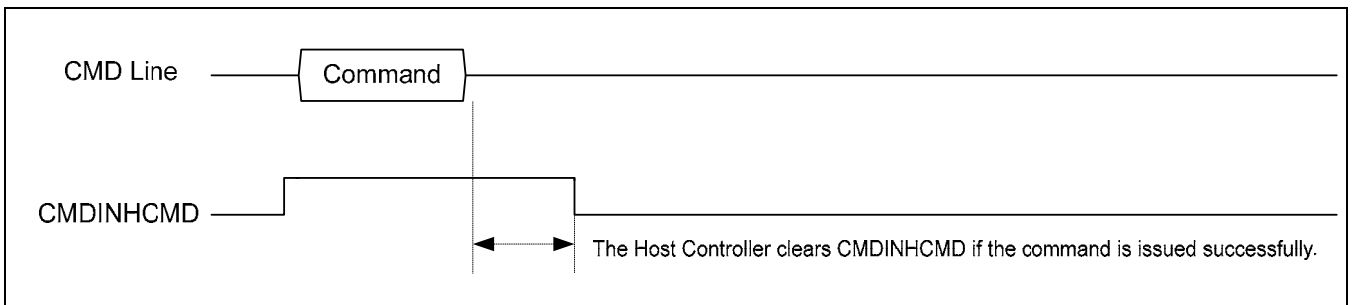


Figure 20-16. Timing of Command Inhibit (CMD) for the case of no response command

5.11 HOST CONTROL REGISTER

This register contains the SD Command Argument.

Register	Address	R/W	Description	Reset Value
HOSTCTL0	0X4AC00028	R/W	Present State Register (Channel 0)	0x0
HOSTCTL1	0X4A800028	R/W	Present State Register (Channel 1)	0x0

Name	Bit	Description	Initial Value
CDSIGSEL	[7]	Reserved This field should be fixed to LOW	0
CDTESTLVL	[6]	Reserved This field should be fixed to LOW	0
WIDE8	[5]	Reserved This field should be fixed to LOW	0
DMASEL	[4:3]	DMA Select One of supported DMA modes can be selected. The host driver shall check support of DMA modes by referring the <i>Capabilities</i> register. Use of selected DMA is determined by DMA Enable of the <i>Transfer Mode</i> register. 00 = SDMA is selected 01 = Reserved 10 = 32-bit Address ADMA2 is selected 11 = 64-bit Address ADMA2 is selected (Not supported)	0
OUTEDGEIN V	[2]	Output Edge Inversion If this bit is set to 0 (default), the Host Controller outputs CMD line and DAT lines at the falling edge of the SD Clock. If this bit is set to 1, the Host Controller outputs CMD line and DAT lines at the rising edge of the SD Clock (S3C2416 recommends set to 0.) '1' = Rising edge output '0' = Falling edge output	0
WIDE4	[1]	Data Transfer Width This bit selects the data width of the Host Controller. The Host Driver shall set it to match the data width of the SD card. 1 = 4-bit mode 0 = 1-bit mode	0
ONLED	[0]	Reserved This field should be fixed to LOW	0

NOTE: Card Detect Pin Level does not simply reflect SD CD# pin, but chooses from SD CD, DAT[3], or CDTestLvl depending on CDSSigSel and SD CD Sel values.

5.12 POWER CONTROL REGISTER

This register contains the SD Command Argument.

Register	Address	R/W	Description	Reset Value
PWRCON0	0X4AC00029	R/W	Present State Register (Channel 0)	0x0
PWRCON1	0X4A800029	R/W	Present State Register (Channel 1)	0x0

Name	Bit	Description	Initial Value
	[7:4]	Reserved	
SELPWRLVL	[3:1]	<p>SD Bus Voltage Select</p> <p>By setting these bits, the Host Driver selects the voltage level for the SD card. Before setting this register, the Host Driver shall check the Voltage Support bits in the <i>Capabilities</i> register. If an unsupported voltage is selected, the Host System shall not supply SD Bus voltage.</p> <p>111b = 3.3V (Typ.) 110b = 3.0V (Typ.) 101b = 1.8V (Typ.) 100b – 000b = Reserved</p>	0
PWRON	[0]	<p>SD Bus Power</p> <p>Before setting this bit, the SD Host Driver shall set SD Bus Voltage Select. If the Host Controller detects the No Card state, this bit shall be cleared.</p> <p>If this bit is cleared, the Host Controller shall immediately stop driving CMD and DAT[3:0] (tri-state) and drive SDCLK to low level.</p> <p>1 = Power on 0 = Power off</p>	0

5.13 BLOCK GAP CONTROL REGISTER

This register contains the SD Command Argument.

Register	Address	R/W	Description	Reset Value
BLKGAP0	0X4AC0002A	R/W	Block Gap Control Register (Channel 0)	0x0
BLKGAP1	0X4A80002A	R/W	Block Gap Control Register (Channel 1)	0x0

Name	Bit	Description	Initial Value
	[7:4]	Reserved	0
ENINTBGAP	[3]	<p>Interrupt At Block Gap</p> <p>This bit is valid only in 4-bit mode of the SDIO card and selects a sample point in the interrupt cycle. Setting to 1 enables interrupt detection at the block gap for a multiple block transfer. Setting to 0 disables interrupt detection during a multiple block transfer. If the SD card cannot signal an interrupt during a multiple block transfer, this bit should be set to 0. When the Host Driver detects an SD card insertion, it shall set this bit according to the CCCR of the SDIO card. (RW)</p> <p>1 = Enabled 0 = Disabled</p>	0
ENRWAIT	[2]	<p>Read Wait Control</p> <p>The read wait function is optional for SDIO cards. If the card supports read wait, set this bit to enable use of the read wait protocol to stop read data using the DAT[2] line. Otherwise the Host Controller has to stop the SD Clock to hold read data, which restricts commands generation. When the Host Driver detects an SD card insertion, it shall set this bit according to the CCCR of the SDIO card. If the card does not support read wait, this bit shall never be set to 1 otherwise DAT line conflict may occur. If this bit is set to 0, Suspend/Resume cannot be supported. (RW)</p> <p>1 = Enable Read Wait Control 0 = Disable Read Wait Control</p>	0
CONTREQ	[1]	<p>Continue Request</p> <p>This bit is used to restart a transaction which was stopped using the Stop At Block Gap Request. To cancel stop at the block gap, set Stop At Block Gap Request to 0 and set this bit 1 to restart the transfer. The Host Controller automatically clears this bit in either of the following cases:</p> <p>(1) In the case of a read transaction, the DAT Line Active changes from 0 to 1 as a read transaction restarts.</p> <p>(2) In the case of a write transaction, the Write Transfer Active changes from 0 to 1 as the write transaction restarts.</p> <p>Therefore it is not necessary for Host Driver to set this bit to 0. If Stop At Block Gap Request is set to 1, any write to this bit is ignored. (RWAC)</p> <p>1 = Restart 0 = Not affect</p>	0
STOPBGAP	[0]	Stop At Block Gap Request	0

Name	Bit	Description	Initial Value
		<p>This bit is used to stop executing a transaction at the next block gap for both DMA and non-DMA transfers. Until the Transfer Complete is set to 1, indicating a transfer completion the Host Driver shall leave this bit set to 1.</p> <p>Clearing both the Stop At Block Gap Request and Continue Request shall not cause the transaction to restart. Read Wait is used to stop the read transaction at the block gap. The Host Controller shall honor Stop At Block Gap Request for write transfers, but for read transfers it requires that the SD card support Read Wait. Therefore the Host Driver shall not set this bit during read transfers unless the SD card supports Read Wait and has set Read Wait Control to 1. In the case of write transfers in which the Host Driver writes data to the <i>Buffer Data Port</i> register, the Host Driver shall set this bit after all block data is written. If this bit is set to 1, the Host Driver shall not write data to <i>Buffer Data Port</i> register.</p> <p>This bit affects Read Transfer Active, Write Transfer Active, DAT Line Active and Command Inhibit (DAT) in the <i>Present State</i> register. Regarding detailed control of bits D01 and D00. (RW)</p> <p>'1' = Stop '0' = Transfer</p>	

There are three cases to restart the transfer after stop at the block gap. Which case is appropriate depends on whether the Host Controller issues a Suspend command or the SD card accepts the Suspend command.

- (1) If the Host Driver does not issue a Suspend command, the **Continue Request** shall be used to restart the transfer.
- (2) If the Host Driver issues a Suspend command and the SD card accepts it, a Resume command shall be used to restart the transfer.
- (3) If the Host Driver issues a Suspend command and the SD card does not accept it, the **Continue Request** shall be used to restart the transfer.

Any time **Stop At Block Gap Request** stops the data transfer, the Host Driver shall wait for **Transfer Complete** (in the *Normal Interrupt Status* register) before attempting to restart the transfer. When restarting the data transfer by **Continue Request**, the Host Driver shall clear **Stop At Block Gap Request** before or simultaneously.

NOTE: After setting **Stop at Block Gap Request** field, which should not be cleared unless Block Gap Event or Transfer Complete interrupt occurs. Otherwise, the module hangs.

5.14 WAKEUP CONTROL REGISTER

This register is mandatory for the Host Controller, but wakeup functionality depends on the Host Controller system hardware and software. The Host Driver shall maintain voltage on the SD Bus, by setting **SD Bus Power** to 1 in the *Power Control* register, when wakeup event via Card Interrupt is desired.

Register	Address	R/W	Description	Reset Value
WAKCON0	0X4AC0002B	R/W	Wakeup Control Register (Channel 0)	0x0
WAKCON1	0X4A80002B	R/W	Wakeup Control Register (Channel 1)	0x0

Name	Bit	Description	Initial Value
	[7:3]	Reserved	0
ENWKUPREM	[2]	Wakeup Event Enable On SD Card Removal This bit enables wakeup event via Card Removal assertion in the <i>Normal Interrupt Status</i> register. FN_WUS (Wake Up Support) in CIS does not affect this bit. (RW) 1 = Enable 0 = Disable	0
ENWKUPINS	[1]	Wakeup Event Enable On SD Card Insertion This bit enables wakeup event via Card Insertion assertion in the <i>Normal Interrupt Status</i> register. FN_WUS (Wake Up Support) in CIS does not affect this bit. (RW) 1 = Enable 0 = Disable	0
ENWKUPINT	[0]	Wakeup Event Enable On Card Interrupt This bit enables wakeup event via Card Interrupt assertion in the <i>Normal Interrupt Status</i> register. This bit can be set to 1 if FN_WUS (Wake Up Support) in CIS is set to 1. (RW) 1 = Enable 0 = Disable	0

5.15 CLOCK CONTROL REGISTER

At the initialization of the Host Controller, the Host Driver shall set the **SDCLK Frequency Select** according to the *Capabilities* register.

Register	Address	R/W	Description	Reset Value
CLKCON0	0X4AC0002C	R/W	Command Register (Channel 0)	0x0
CLKCON1	0X4A80002C	R/W	Command Register (Channel 1)	0x0

Name	Bit	Description	Initial Value																		
SELFREQ	[15:8]	<p>SDCLK Frequency Select</p> <p>This register is used to select the frequency of SDCLK pin. The frequency is not programmed directly; rather this register holds the divisor of the Base Clock Frequency For SD Clock in the <i>Capabilities</i> register. Only the following settings are allowed.</p> <table border="1"> <tbody> <tr> <td>80h</td> <td>base clock divided by 256</td> </tr> <tr> <td>40h</td> <td>base clock divided by 128</td> </tr> <tr> <td>20h</td> <td>base clock divided by 64</td> </tr> <tr> <td>10h</td> <td>base clock divided by 32</td> </tr> <tr> <td>08h</td> <td>base clock divided by 16</td> </tr> <tr> <td>04h</td> <td>base clock divided by 8</td> </tr> <tr> <td>02h</td> <td>base clock divided by 4</td> </tr> <tr> <td>01h</td> <td>base clock divided by 2</td> </tr> <tr> <td>00h</td> <td>base clock (10MHz-63MHz)</td> </tr> </tbody> </table> <p>Setting 00h specifies the highest frequency of the SD Clock. When setting multiple bits, the most significant bit is used as the divisor. But multiple bits should not be set. The two default divider values can be calculated by the frequency that is defined by the Base Clock Frequency For SD Clock in the <i>Capabilities</i> register.</p> <p>(1) 25MHz divider value (2) 400kHz divider value</p> <p>According to the SD Physical Specification Version 1.01 and the SDIO Card Specification Version 1.0, maximum SD Clock frequency is 25MHz, and shall never exceed this limit.</p> <p>The frequency of SDCLK is set by the following formula: Clock Frequency = (Base Clock) / divisor</p> <p>Thus, choose the smallest possible divisor which results in a clock frequency that is less than or equal to the target frequency.</p> <p>For example, if the Base Clock Frequency For SD Clock in the <i>Capabilities</i> register has the value 33MHz, and the target frequency is 25MHz, then choosing the divisor value of 01h will yield 16.5MHz, which is the nearest frequency less than or equal to the target. Similarly, to approach a clock value of 400kHz, the divisor value of 40h yields the optimal clock value of 258kHz.</p>	80h	base clock divided by 256	40h	base clock divided by 128	20h	base clock divided by 64	10h	base clock divided by 32	08h	base clock divided by 16	04h	base clock divided by 8	02h	base clock divided by 4	01h	base clock divided by 2	00h	base clock (10MHz-63MHz)	0
80h	base clock divided by 256																				
40h	base clock divided by 128																				
20h	base clock divided by 64																				
10h	base clock divided by 32																				
08h	base clock divided by 16																				
04h	base clock divided by 8																				
02h	base clock divided by 4																				
01h	base clock divided by 2																				
00h	base clock (10MHz-63MHz)																				
	[7:4]	Reserved																			

Name	Bit	Description	Initial Value
STBLEXTCLK	[3]	<p>External Clock Stable</p> <p>This bit is set to 1 when SD Clock output is stable after writing to SD Clock Enable in this register to 1. The SD Host Driver shall wait to issue command to start until this bit is set to 1. (ROC)</p> <p>1 = Ready 0 = Not Ready</p>	0
ENSDCLK	[2]	<p>SD Clock Enable</p> <p>The Host Controller shall stop SDCLK when writing this bit to 0. SDCLK Frequency Select can be changed when this bit is 0. Then, the Host Controller shall maintain the same clock frequency until SDCLK is stopped (Stop at SDCLK=0). If the Card Inserted in the <i>Present State register</i> is cleared, this bit shall be cleared. (RW)</p> <p>1 = Enable 0 = Disable</p>	0
STBLINTCLK	[1]	<p>Internal Clock Stable</p> <p>This bit is set to 1 when SD Clock is stable after writing to Internal Clock Enable in this register to 1. The SD Host Driver shall wait to set SD Clock Enable until this bit is set to 1.</p> <p>Note: This is useful when using PLL for a clock oscillator that requires setup time. (ROC)</p> <p>1 = Ready 0 = Not Ready</p>	0
ENINTCLK	[0]	<p>Internal Clock Enable</p> <p>This bit is set to 0 when the Host Driver is not using the Host Controller or the Host Controller awaits a wakeup interrupt. The Host Controller should stop its internal clock to go very low power state. Still, registers shall be able to be read and written. Clock starts to oscillate when this bit is set to 1. When clock oscillation is stable, the Host Controller shall set Internal Clock Stable in this register to 1. This bit shall not affect card detection. (RW)</p> <p>1 = Oscillate 0 = Stop</p>	

5.16 TIMEOUT CONTROL REGISTER

At the initialization of the Host Controller, the Host Driver shall set the **Data Timeout Counter Value** according to the *Capabilities* register.

Register	Address	R/W	Description	Reset Value
TIMEOUTCON 0	0X4AC0002E	R/W	Timeout Control Register (Channel 0)	0x0
TIMEOUTCON 1	0X4A80002E	R/W	Timeout Control Register (Channel 1)	0x0

Name	Bit	Description	Initial Value
	[7:4]	Reserved	0
TIMEOUTCON	[3:0]	<p>Data Timeout Counter Value</p> <p>This value determines the interval by which DAT line timeouts are detected. Refer to the Data Timeout Error in the <i>Error Interrupt Status</i> register for information on factors that dictate timeout generation. Timeout clock frequency will be generated by dividing the base clock SDCLK value by this value. When setting this register, prevent inadvertent timeout events by clearing the Data Timeout Error Status Enable (in the <i>Error Interrupt Status Enable</i> register)</p> <p>1111b Reserved 1110b SDCLK x 2²⁷ 1101b SDCLK x 2²⁶ 0001b SDCLK x 2¹⁴ 0000b SDCLK x 2¹³</p>	0

5.17 SOFTWARE RESET REGISTER

A reset pulse is generated when writing 1 to each bit of this register. After completing the reset, the Host Controller shall clear each bit. Because it takes some time to complete software reset, the SD Host Driver shall confirm that these bits are 0.

Register	Address	R/W	Description	Reset Value
SWRST0	0X4AC0002F	R/W	Software Reset Register (Channel 0)	0x0
SWRST1	0X4A80002F	R/W	Software Reset Register (Channel 1)	0x0

Name	Bit	Description	Initial Value
	[7:3]	Reserved	0
RSTDAT	[2]	<p>Software Reset For DAT Line</p> <p>Only part of data circuit is reset. DMA circuit is also reset. (RWAC)</p> <p>The following registers and bits are cleared by this bit:</p> <p><i>Present State</i> register</p> <p>Buffer Read Enable</p> <p>Buffer Write Enable</p> <p>Read Transfer Active</p> <p>Write Transfer Active</p> <p>DAT Line Active</p> <p>Command Inhibit (DAT)</p> <p><i>Block Gap Control</i> register</p> <p>Continue Request</p> <p>Stop At Block Gap Request</p> <p><i>Normal Interrupt Status</i> register</p> <p>Buffer Read Ready</p> <p>Buffer Write Ready</p> <p>DMA Interrupt</p> <p>Block Gap Event</p> <p>Transfer Complete</p> <p>1 = Reset 0 = Work</p>	0
RSTCMD	[1]	<p>Software Reset For CMD Line</p> <p>Only part of command circuit is reset. (RWAC)</p> <p>The following registers and bits are cleared by this bit:</p> <p><i>Present State</i> register</p> <p>Command Inhibit (CMD)</p> <p><i>Normal Interrupt Status</i> register</p> <p>Command Complete</p> <p>1 = Reset 0 = Work</p>	0

Name	Bit	Description	Initial Value
RSTDAT	[0]	<p>Software Reset For All</p> <p>This reset affects the entire Host Controller except for the card detection circuit. Register bits of type ROC, RW, RW1C, RWAC are cleared to 0.</p> <p>During its initialization, the Host Driver shall set this bit to 1 to reset the Host Controller. The Host Controller shall reset this bit to 0 when capabilities registers are valid and the Host Driver can read them. Additional use of Software Reset For All may not affect the value of the <i>Capabilities</i> registers. If this bit is set to 1, the SD card shall reset itself and must be reinitialized by the Host Driver. (RWAC)</p> <p>1 = Reset 0 = Work</p>	0

5.18 NORMAL INTERRUPT STATUS REGISTER

The *Normal Interrupt Status Enable* affects reads of this register, but *Normal Interrupt Signal Enable* does not affect these reads. An interrupt is generated when the Normal Interrupt Signal Enable is enabled and at least one of the status bits is set to 1. For all bits except **Card Interrupt** and **Error Interrupt**, writing 1 to a bit clear it; writing to 0 keeps the bit unchanged. More than one status can be cleared with a single register write. The **Card Interrupt** is cleared when the card stops asserting the interrupt; that is, when the Card Driver services the interrupt condition.

Register	Address	R/W	Description	Reset Value
NORINTSTS0	0X4AC00030	ROC/RW1C	Normal Interrupt Status Register (Channel 0)	0x0
NORINTSTS1	0X4A800030	ROC/RW1C	Normal Interrupt Status Register (Channel 1)	0x0

Name	Bit	Description	Initial Value
STAERR	[15]	Error Interrupt If any of the bits in the <i>Error Interrupt Status</i> register are set, then this bit is set. Therefore the Host Driver can efficiently test for an error by checking this bit first. This bit is read only. (ROC) 0 = No Error 1 = Error	0
STAFIA3	[14]	FIFO SD Address Pointer Interrupt 3 Status (RW1C) 0 = Occurred 1 = Not Occurred	0
STAFIA2	[13]	FIFO SD Address Pointer Interrupt 2 Status (RW1C) 0 = Occurred 1 = Not Occurred	0
STAFIA1	[12]	FIFO SD Address Pointer Interrupt 1 Status (RW1C) 0 = Occurred 1 = Not Occurred	0
STAFIA0	[11]	FIFO SD Address Pointer Interrupt 0 Status (RW1C) 0 = Occurred 1 = Not Occurred	0
STARWAIT	[10]	Read Wait Interrupt Status (RW1C) 0 = Read Wait Interrupt Occurred 1 = Read Wait Interrupt Not Occurred Note: After checking response for the suspend command, release Read Wait interrupt status manually if BS = 0	0
STACCS	[9]	CCS Interrupt Status (RW1C) Command Complete Singal Interrupt Status bit is for CE-ATA interface mode. 0 = CCS Interrupt Occurred 1 = CCS Interrupt Not Occurred	0
STACARDINT	[8]	Card Interrupt Writing this bit to 1 does not clear this bit. It is cleared by resetting the SD card interrupt factor. In 1-bit mode, the Host Controller shall	0

Name	Bit	Description	Initial Value
		<p>detect the Card Interrupt without SD Clock to support wakeup. In 4-bit mode, the card interrupt signal is sampled during the interrupt cycle, so there are some sample delays between the interrupt signal from the SD card and the interrupt to the Host System. It is necessary to define how to handle this delay.</p> <p>When this status has been set and the Host Driver needs to start this interrupt service, Card Interrupt Status Enable in the <i>Normal Interrupt Status Enable</i> register shall be set to 0 in order to clear the card interrupt statuses latched in the Host Controller and to stop driving the interrupt signal to the Host System. After completion of the card interrupt service (It should reset interrupt factors in the SD card and the interrupt signal may not be asserted), set Card Interrupt Status Enable to 1 and start sampling the interrupt signal again. (ROC, RW1C)</p> <p>1 = Generate Card Interrupt 0 = No Card Interrupt</p>	
STACARDREM	[7]	<p>Card Removal</p> <p>This status is set if the Card Inserted in the <i>Present State</i> register changes from 1 to 0. When the Host Driver writes this bit to 1 to clear this status, the status of the Card Inserted in the Present State register should be confirmed. Because the card detect state may possibly be changed when the Host Driver clear this bit and interrupt event may not be generated. (RW1C)</p> <p>1 = Card removed 0 = Card state stable or Debouncing</p>	0
STACARDINS	[6]	<p>Card Insertion</p> <p>This status is set if the Card Inserted in the <i>Present State</i> register changes from 0 to 1. When the Host Driver writes this bit to 1 to clear this status, the status of the Card Inserted in the Present State register should be confirmed. Because the card detect state may possibly be changed when the Host Driver clear this bit and interrupt event may not be generated. (RW1C)</p> <p>1 = Card inserted 0 = Card state stable or Debouncing</p>	0
STABUFRDRDY	[5]	<p>Buffer Read Ready</p> <p>This status is set if the Buffer Read Enable changes from 0 to 1. Refer to the Buffer Read Enable in the <i>Present State</i> register. (RW1C)</p> <p>1 = Ready to read buffer 0 = Not ready to read buffer</p>	0
STABUFWTRDY	[4]	<p>Buffer Write Ready</p> <p>This status is set if the Buffer Write Enable changes from 0 to 1. Refer to the Buffer Write Enable in the <i>Present State</i> register. (RW1C)</p> <p>1 = Ready to write buffer 0 = Not ready to write buffer</p>	0

Name	Bit	Description	Initial Value
STADMAINT	[3]	<p>DMA Interrupt</p> <p>This status is set if the Host Controller detects the Host DMA Buffer boundary during transfer. Refer to the Host DMA Buffer Boundary in the <i>Block Size</i> register. Other DMA interrupt factors may be added in the future. This interrupt shall not be generated after the Transfer Complete. (RW1C)</p> <p>1 = DMA Interrupt is generated 0 = No DMA Interrupt</p>	0
STABLK GAP	[2]	<p>Block Gap Event</p> <p>If the Stop At Block Gap Request in the <i>Block Gap Control</i> register is set, this bit is set when both a read / write transaction is stopped at a block gap. If Stop At Block Gap Request is not set to 1, this bit is not set to 1.</p> <p>(1) In the case of a Read Transaction</p> <p>This bit is set at the falling edge of the DAT Line Active Status (When the transaction is stopped at SD Bus timing. The Read Wait must be supported in order to use this function.</p> <p>(2) Case of Write Transaction</p> <p>This bit is set at the falling edge of Write Transfer Active Status (After getting CRC status at SD Bus timing).</p> <p>1 = Transaction stopped at block gap 0 = No Block Gap Event</p>	0
STATRANCPLT	[1]	<p>Transfer Complete</p> <p>This bit is set when a read / write transfer is completed.</p> <p>(1) In the case of a Read Transaction</p> <p>This bit is set at the falling edge of Read Transfer Active Status. There are two cases in which this interrupt is generated. The first is when a data transfer is completed as specified by data length (After the last data has been read to the Host System). The second is when data has stopped at the block gap and completed the data transfer by setting the Stop At Block Gap Request in the <i>Block Gap Control</i> register (After valid data has been read to the Host System).</p> <p>(2) In the case of a Write Transaction</p> <p>This bit is set at the falling edge of the DAT Line Active Status. There are two cases in which this interrupt is generated. The first is when the last data is written to the SD card as specified by data length and the busy signal released. The second is when data transfers are stopped at the block gap by setting Stop At Block Gap Request in the <i>Block Gap Control</i> register and data transfers completed. (After valid data is written to the SD card and the busy signal released). (RW1C)</p>	0

Name	Bit	Description	Initial Value												
		<p>The table below shows that Transfer Complete has higher priority than Data Timeout Error. If both bits are set to 1, the data transfer can be considered complete.</p> <p>Relation between Transfer Complete and Data</p> <table border="1"> <thead> <tr> <th>Transfer Complete</th> <th>Data Timeout Error</th> <th>Meaning of the status</th> </tr> </thead> <tbody> <tr> <td>0</td> <td>0</td> <td>Interrupted by another factor</td> </tr> <tr> <td>0</td> <td>1</td> <td>Timeout occur during transfer</td> </tr> <tr> <td>1</td> <td>Don't care</td> <td>Data transfer complete</td> </tr> </tbody> </table> <p>1 = Data Transfer Complete 0 = No transfer complete</p>	Transfer Complete	Data Timeout Error	Meaning of the status	0	0	Interrupted by another factor	0	1	Timeout occur during transfer	1	Don't care	Data transfer complete	
Transfer Complete	Data Timeout Error	Meaning of the status													
0	0	Interrupted by another factor													
0	1	Timeout occur during transfer													
1	Don't care	Data transfer complete													
STACMDCMPLT	[0]	<p>Command Complete</p> <p>This bit is set when get the end bit of the command response. (Except Auto CMD12) Refer to Command Inhibit (CMD) in the <i>Present State</i> register.</p> <p>The table below shows that Command Timeout Error has higher priority than Command Complete. If both bits are set to 1, it can be considered that the response was not received correctly.</p> <table border="1"> <thead> <tr> <th>Command Complete</th> <th>Command Timeout Error</th> <th>Meaning of the status</th> </tr> </thead> <tbody> <tr> <td>0</td> <td>0</td> <td>Interrupted by another factor</td> </tr> <tr> <td>Don't care</td> <td>1</td> <td>Response not received within 64 SDCLK cycles.</td> </tr> <tr> <td>1</td> <td>0</td> <td>Response received</td> </tr> </tbody> </table> <p>1 = Command Complete 0 = No command complete</p>	Command Complete	Command Timeout Error	Meaning of the status	0	0	Interrupted by another factor	Don't care	1	Response not received within 64 SDCLK cycles.	1	0	Response received	0
Command Complete	Command Timeout Error	Meaning of the status													
0	0	Interrupted by another factor													
Don't care	1	Response not received within 64 SDCLK cycles.													
1	0	Response received													

NOTES:

- Host Driver may check if interrupt is actually cleared by polling or monitoring the INTREQ port. If HCLK is much faster than SDCLK, it takes long time to be cleared for the bits actually.
- Card Interrupt status bit keeps previous value until next card interrupt period (level interrupt) and can be cleared when write to 1 (RW1C).

5.19 ERROR INTERRUPT STATUS REGISTER

Signals defined in this register can be enabled by the *Error Interrupt Status Enable* register, but not by the *Error Interrupt Signal Enable* register. The interrupt is generated when the *Error Interrupt Signal Enable* is enabled and at least one of the statuses is set to 1. Writing to 1 clears the bit and writing to 0 keeps the bit unchanged. More than one status can be cleared at the one register write.

Register	Address	R/W	Description	Reset Value
ERRINTSTS0	0X4AC00032	ROC/RW1C	Error Interrupt Status Register (Channel 0)	0x0
ERRINTSTS1	0X4A800032	ROC/RW1C	Error Interrupt Status Register (Channel 1)	0x0

Name	Bit	Description	Initial Value
	[15:10]	Reserved	0
ADMAERR	[9]	ADMA Error This bit is set when the Host Controller detects errors during ADMA based data transfer. The state of the ADMA at an error occurrence is saved in the <i>ADMA Error Status Register</i> . In addition, the Host Controller generates this Interrupt when it detects invalid descriptor data (Valid=0) at the ST_FDS state. ADMA Error State in the <i>ADMA Error Status</i> indicates that an error occurs in ST_FDS state. The Host Driver may find that Valid bit is not set at the error descriptor. 1 = Error 0 = No Error	0
STAACMDERR	[8]	Auto CMD12 Error Occurs when detecting that one of the bits in <i>Auto CMD12 Error Status</i> register has changed from 0 to 1. This bit is set to 1, not only when the errors in Auto CMD12 occur but also when Auto CMD12 is not executed due to the previous command error. 1 = Error 0 = No Error	0
STACURERR	[7]	Current Limit Error Not implemented in this version. Always 0.	0
STADENDERR	[6]	Data End Bit Error Occurs either when detecting 0 at the end bit position of read data which uses the <i>DAT</i> line or at the end bit position of the CRC Status. 1 = Error 0 = No Error	0
STADATCRCERR	[5]	Data CRC Error Occurs when detecting CRC error when transferring read data which uses the <i>DAT</i> line or when detecting the Write CRC status having a value of other than "010". 1 = Error 0 = No Error	0
STADATTOUTERR	[4]	Data Timeout Error	0

Name	Bit	Description	Initial Value
		Occurs when detecting one of following timeout conditions. (1) Busy timeout for R1b,R5b type (2) Busy timeout after Write CRC status (3) Write CRC Status timeout (4) Read Data timeout. 1 = Timeout 0 = No Error	
STACMDIDXERR	[3]	Command Index Error Occurs if a Command Index error occurs in the command response. 1 = Error 0 = No Error	0
CMDEBITERR	[2]	Command End Bit Error Occurs when detecting that the end bit of a command response is 0. 1 = End bit Error generated 0 = No Error	
STACMDCRCERR	[1]	Command CRC Error Command CRC Error is generated in two cases. (1) If a response is returned and the Command Timeout Error is set to 0 (indicating no timeout), this bit is set to 1 when detecting a CRC error in the command response. (2) The Host Controller detects a CMD line conflict by monitoring the CMD line when a command is issued. If the Host Controller drives the CMD line to 1 level, but detects 0 level on the CMD line at the next SDCLK edge, then the Host Controller shall abort the command (Stop driving CMD line) and set this bit to 1. The Command Timeout Error shall also be set to 1 to distinguish CMD line conflict. 1 = CRC Error generated 0 = No Error	0
STACMDTOUTERR	[0]	Command Timeout Error Occurs only if no response is returned within 64 SDCLK cycles from the end bit of the command. If the Host Controller detects a CMD line conflict, in which case Command CRC Error shall also be set as shown in Table 33, this bit shall be set without waiting for 64 SDCLK cycles because the command will be aborted by the Host Controller. 1 = Timeout 0 = No Error	0

The relation between **Command CRC Error** and **Command Timeout Error** is shown in Table below.

Table 21-4. The relation between Command CRC Error and Command Timeout Error

Command CRC Error	Command Timeout Error	Kinds of error
0	0	No Error
0	1	Response Timeout Error
1	0	Response CRC Error
1	1	<i>CMD</i> line conflict

5.20 NORMAL INTERRUPT STATUS ENABLE REGISTER

Setting to 1 enables Interrupt Status.

Register	Address	R/W	Description	Reset Value
NORINTSTSEN0	0X4AC00034	R/W	Normal Interrupt Status Enable Register (Channel 0)	0x0
NORINTSTSEN1	0X4A800034	R/W	Normal Interrupt Status Enable Register (Channel 1)	0x0

Name	Bit	Description	Initial Value
	[15]	Fixed to 0 The Host Driver shall control error interrupts using the <i>Error Interrupt Status Enable</i> register. (RO)	0
ENSTAFIA3	[14]	FIFO SD Address Pointer Interrupt 3 Status Enable 1 = Enabled 0 = Masked	0
ENSTAFIA2	[13]	FIFO SD Address Pointer Interrupt 2 Status Enable 1 = Enabled 0 = Masked	0
ENSTAFIA1	[12]	FIFO SD Address Pointer Interrupt 1 Status Enable 1 = Enabled 0 = Masked	0
ENSTAFIA0	[11]	FIFO SD Address Pointer Interrupt 0 Status Enable 1 = Enabled 0 = Masked	0
ENSTARWAIT	[10]	Read Wait interrupt status enable 1 = Enabled 0 = Masked	0
ENSTACCS	[9]	CCS Interrupt Status Enable 1 = Enabled 0 = Masked	0
ENSTACARDINT	[8]	Card Interrupt Status Enable If this bit is set to 0, the Host Controller shall clear interrupt request to the System. The Card Interrupt detection is stopped when this bit is cleared and restarted when this bit is set to 1. The Host Driver should clear the Card Interrupt Status Enable before servicing the Card Interrupt and should set this bit again after all interrupt requests from the card are cleared to prevent inadvertent interrupts. 1 = Enabled 0 = Masked	0
ENSTACARDREM	[7]	Card Removal Status Enable 1 = Enabled 0 = Masked	0

Name	Bit	Description	Initial Value
ENSTACARDNS	[6]	Card Insertion Status Enable 1 = Enabled 0 = Masked	0
ENSTABUFRDRDY	[5]	Buffer Read Ready Status Enable 1 = Enabled 0 = Masked	0
ENSTABUFWTRDY	[4]	Buffer Write Ready Status Enable 1 = Enabled 0 = Masked	0
ENSTADMA	[3]	DMA Interrupt Status Enable 1 = Enabled 0 = Masked	0
ENSTABLK GAP	[2]	Block Gap Event Status Enable 1 = Enabled 0 = Masked	0
ENSTASTANSCMPLT	[1]	Transfer Complete Status Enable 1 = Enabled 0 = Masked	0
ENSTACMDCMPLT	[0]	Command Complete Status Enable 1 = Enabled 0 = Masked	0

5.21 ERROR INTERRUPT STATUS ENABLE REGISTER

Setting to 1 enables Error Interrupt Status.

Register	Address	R/W	Description	Reset Value
ERRINTSTSEN0	0X4AC00036	R/W	Error Interrupt Status Enable Register (Channel 0)	0x0
ERRINTSTSEN1	0X4A800036	R/W	Error Interrupt Status Enable Register (Channel 1)	0x0

Name	Bit	Description	Initial Value
	[15:10]	Reserved	0
ADMAERR	[9]	ADMA Error Status Enable 1 = Enabled 0 = Masked	0
ENSTAACMDERR	[8]	Auto CMD12 Error Status Enable 1 = Enabled 0 = Masked	0
ENSTACURERR	[7]	Current Limit Error Status Enable This function is not implemented in this version. 1 = Enabled 0 = Masked	0
ENSTADENDERR	[6]	Data End Bit Error Status Enable 1 = Enabled 0 = Masked	0
ENSTADATCRCERR	[5]	Data CRC Error Status Enable 1 = Enabled 0 = Masked	0
ENSTADATTOUTERR	[4]	Data Timeout Error Status Enable 1 = Enabled 0 = Masked	0
ENSTACMDIDXERR	[3]	Command Index Error Status Enable 1 = Enabled 0 = Masked	0
ENSTACMDEBITERR	[2]	Command End Bit Error Status Enable 1 = Enabled 0 = Masked	0
ENSTACMDCRCERR	[1]	Command CRC Error Status Enable 1 = Enabled 0 = Masked	0
ENSTACMDTOUTERR	[0]	Command Timeout Error Status Enable 1 = Enabled 0 = Masked	0

5.22 NORMAL INTERRUPT SIGNAL ENABLE REGISTER

This register is used to select which interrupt status is indicated to the Host System as the interrupt. These status bits all share the same 1 bit interrupt line. Setting any of these bits to 1 enables interrupt generation.

Register	Address	R/W	Description	Reset Value
NORINTSIGEN0	0X4AC00038	R/W	Normal Interrupt Signal Enable Register (Channel 0)	0x0
NORINTSIGEN1	0X4A800038	R/W	Normal Interrupt Signal Enable Register (Channel 1)	0x0

Name	Bit	Description	Initial Value
	[15]	Fixed to 0 The Host Driver shall control error interrupts using the <i>Error Interrupt Signal Enable</i> register.	0
ENSIGFIA3	[14]	FIFO SD Address Pointer Interrupt 3 Signal Enable 1 = Enabled 0 = Masked	0
ENSIGFIA2	[13]	FIFO SD Address Pointer Interrupt 2 Signal Enable 1 = Enabled 0 = Masked	0
ENSIGFIA1	[12]	FIFO SD Address Pointer Interrupt 1 Signal Enable 1 = Enabled 0 = Masked	0
ENSIGFIA0	[11]	FIFO SD Address Pointer Interrupt 0 Signal Enable 1 = Enabled 0 = Masked	0
ENSIGRWAIT	[10]	Read Wait Interrupt Signal Enable 1 = Enabled 0 = Masked	0
ENSIGCCS	[9]	CCS Interrupt Signal Enable Command Complete Signal Interrupt Status bit is for CE-ATA interface mode. 1 = Enabled 0 = Masked	0
ENSIGCARDINT	[8]	Card Interrupt Signal Enable 1 = Enabled 0 = Masked	0
ENSIGCARDREM	[7]	Card Removal Signal Enable 1 = Enabled 0 = Masked	0
ENSIGCARDNS	[6]	Card Insertion Signal Enable 1 = Enabled 0 = Masked	0

Name	Bit	Description	Initial Value
ENSIGBUFRDRDY	[5]	Buffer Read Ready Signal Enable 1 = Enabled 0 = Masked	0
ENSIGBUFWTRDY	[4]	Buffer Write Ready Signal Enable 1 = Enabled 0 = Masked	0
ENSIGDMA	[3]	DMA Interrupt Signal Enable 1 = Enabled 0 = Masked	0
ENSIGBLKGAP	[2]	Block Gap Event Signal Enable 1 = Enabled 0 = Masked	0
ENSIGSTANSCMPLT	[1]	Transfer Complete Signal Enable 1 = Enabled 0 = Masked	0
ENSIGCMDCMPLT	[0]	Command Complete Signal Enable 1 = Enabled 0 = Masked	0

5.23 ERROR INTERRUPT SIGNAL ENABLE REGISTER

This register is used to select which interrupt status is notified to the Host System as the interrupt. These status bits all share the same 1 bit interrupt line. Setting any of these bits to 1 enables interrupt generation.

Register	Address	R/W	Description	Reset Value
ERRINTSIGEN0	0X4AC0003A	R/W	Error Interrupt Signal Enable Register (Channel 0)	0x0
ERRINTSIGEN1	0X4A80003A	R/W	Error Interrupt Signal Enable Register (Channel 1)	0x0

Name	Bit	Description	Initial Value
	[15:10]	Reserved	0
ENSIGADMAERR	[9]	ADMA Error Signal Enable 1 = Enabled 0 = Masked	0
ENSIGACMDERR	[8]	Auto CMD12 Error Signal Enable 1 = Enabled 0 = Masked	0
ENSIGCURERR	[7]	Current Limit Error Signal Enable This function is not implemented in this version. 1 = Enabled 0 = Masked	0
ENSIGDENDERR	[6]	Data End Bit Error Signal Enable 1 = Enabled 0 = Masked	0
ENSIGDATCRCERR	[5]	Data CRC Error Signal Enable 1 = Enabled 0 = Masked	0
ENSIGDATOUTERR	[4]	Data Timeout Error Signal Enable 1 = Enabled 0 = Masked	0
ENSIGCMDIDXERR	[3]	Command Index Error Signal Enable 1 = Enabled 0 = Masked	0
ENSIGCMDEBITERR	[2]	Command End Bit Error Signal Enable 1 = Enabled 0 = Masked	0
ENSIGCMDCRCERR	[1]	Command CRC Error Signal Enable 1 = Enabled 0 = Masked	0
ENSIGCMDTOUTERR	[0]	Command Timeout Error Signal Enable 1 = Enabled 0 = Masked	0

Detailed documents are to be copied from SD Host Standard Spec.

5.24 AUTOCMD12 ERROR STATUS REGISTER

When *Auto CMD12 Error Status* is set, the Host Driver shall check this register to identify what kind of error Auto CMD12 indicated. This register is valid only when the **Auto CMD12 Error** is set.

Register	Address	R/W	Description	Reset Value
ACMD12ERRSTS0	0X4AC0003C	ROC	Auto CMD12 Error Status Register (Channel 0)	0x0
ACMD12ERRSTS1	0X4A80003C	ROC	Auto CMD12 Error Status Register (Channel 1)	0x0

Name	Bit	Description	Initial Value
	[15:8]	Reserved	0
STANCMDAER	[7]	Command Not Issued By Auto CMD12 Error Setting this bit to 1 means CMD_wo_DAT is not executed due to an Auto CMD12 Error (D04-D01) in this register. 1 = Not Issued 0 = No error	0
	[6:5]	Reserved	0
STACMDIDXERR	[4]	Auto CMD12 Index Error Occurs if the Command Index error occurs in response to a command. 1 = Error 0 = No Error	0
STACMDEBITAER	[3]	Auto CMD12 End Bit Error Occurs when detecting that the end bit of command response is 0. 1 = End Bit Error Generated 0 = No Error	0
STACMDCRCAER	[2]	Auto CMD12 CRC Error Occurs when detecting a CRC error in the command response. 1 = CRC Error Generated 0 = No Error	0
STACMDTOUTAER	[1]	Auto CMD12 Timeout Error Occurs if no response is returned within 64 SDCLK cycles from the end bit of command. If this bit is set to 1, the other error status bits (D04-D02) are meaningless. 1 = Time out 0 = No Error	0
STANACMDAER	[0]	Auto CMD12 Not Executed If memory multiple block data transfer is not started due to command error, this bit is not set because it is not necessary to issue Auto CMD12. Setting this bit to 1 means the Host Controller cannot issue Auto CMD12 to stop memory multiple block data transfer due to some error. If this bit is set to 1, other error status bits (D04-D01) are meaningless. 1 = Not executed 0 = Executed	0

The relation between Auto CMD12 CRC Error and Auto CMD12 Timeout Error is shown below.

Table 21-5. The Relation Between Command CRC Error and Command Timeout Error

Auto CMD12 CRC Error	Auto CMD12 Timeout Error	Kinds of error
0	0	No Error
0	1	Response Timeout Error
1	0	Response CRC Error
1	1	<i>CMD line conflict</i>

The timing of changing *Auto CMD12 Error Status* can be classified in three scenarios:

- (1) When the Host Controller is going to issue Auto CMD12
Set D00 to 1 if Auto CMD12 cannot be issued due to an error in the previous command.
Set D00 to 0 if Auto CMD12 is issued.
- (2) At the end bit of an Auto CMD12 response
Check received responses by checking the error bits D01, D02, D03 and D04.
Set to 1 if error is detected.
Set to 0 if error is not detected.
- (3) Before reading the Auto CMD12 Error Status bit D07
Set D07 to 1 if there is a command cannot be issued
Set D07 to 0 if there is no command to issue

Timing of generating the **Auto CMD12 Error** and writing to the *Command* register are asynchronous. Then D07 shall be sampled when driver never writing to the *Command* register. So just before reading the *Auto CMD12 Error Status* register is good timing to set the D07 status bit. An Auto CMD12 Error Interrupt is generated when one of the error bits D00 to D04 is set to 1. The **Command Not Issued By Auto CMD12 Error** does not generate an interrupt.

5.25 CAPABILITIES REGISTER

This register provides the Host Driver with information specific to the Host Controller implementation. The Host Controller may implement these values as fixed or loaded from flash memory during power on initialization. Refer to **Software Reset for All** in the *Software Reset* register for loading from flash memory and completion timing control.

Register	Address	R/W	Description	Reset Value
CAPAREG0	0X4AC00040	HWInit	Capabilities Register (Channel 0)	0x05E80080
CAPAREG1	0X4A800040	HWInit	Capabilities Register (Channel 1)	0x05E80080

Name	Bit	Description	Initial Value
	[31:27]	Reserved	
CAPAV18	[26]	Voltage Support 1.8V (HWInit) 1 = 1.8V Supported 0 = 1.8V Not Supported	1
CAPAV30	[25]	Voltage Support 3.0V (HWInit) 1 = 3.0V Supported 0 = 3.0V Not Supported	0
CAPAV33	[24]	Voltage Support 3.3V (HWInit) 1 = 3.3V Supported 0 = 3.3V Not Supported	1
CAPASUSRES	[23]	Suspend/Resume Support (HWInit) This bit indicates whether the Host Controller supports Suspend / Resume functionality. If this bit is 0, the Suspend and Resume mechanism are not supported and the Host Driver shall not issue either Suspend or Resume commands. 1 = Supported 0 = Not Supported	1
CAPADMA	[22]	DMA Support (HWInit) This bit indicates whether the Host Controller is capable of using DMA to transfer data between system memory and the Host Controller directly. 1 = DMA Supported 0 = DMA Not Supported	1
CAPAHSPD	[21]	High Speed Support (HWInit) This bit indicates whether the Host Controller and the Host System support High Speed mode and they can supply SD Clock frequency from 25MHz to 50MHz. 1 = High Speed Supported 0 = High Speed Not Supported	1
	[20:18]	Reserved	

Name	Bit	Description	Initial Value
CAPAMAXBLKLEN	[17:16]	Max Block Length (HWInit) This value indicates the maximum block size that the Host Driver can read and write to the buffer in the Host Controller. The buffer shall transfer this block size without wait cycles. Three sizes can be defined as indicated below. 00 = 512-byte 01 = 1024-byte 10 = 2048-byte 11 = Reserved	0
	[15:14]	Reserved	0
CAPABASECLK	[13:8]	Base Clock Frequency For SD Clock (HWInit) This value indicates the base (maximum) clock frequency for the SD Clock. Unit values are 1MHz. If the real frequency is 16.5MHz, the larger value shall be set 01 0001b (17MHz) because the Host Driver use this value to calculate the clock divider value (Refer to the SDCLK Frequency Select in the <i>Clock Control</i> register.) and it shall not exceed upper limit of the SD Clock frequency. The supported clock range is 10MHz to 63MHz. If these bits are all 0, the Host System has to get information via another method. Not 0 = 1MHz to 63MHz 000000b = Get information via another method	0
CAPATOUTUNIT	[7]	Timeout Clock Unit (HWInit) This bit shows the unit of base clock frequency used to detect Data Timeout Error . 0 = kHz 1 = MHz	1
	[6]	Reserved	0
CAPATOUTCLK	[5:0]	Timeout Clock Frequency (HWInit) This bit shows the base clock frequency used to detect Data Timeout Error . The Timeout Clock Unit defines the unit of this field value. Timeout Clock Unit =0 [kHz] unit: 1kHz to 63kHz Timeout Clock Unit =1 [MHz] unit: 1MHz to 63MHz Not 0 = 1kHz to 63kHz or 1MHz to 63MHz 00 0000b = Get information via another method	0

5.26 MAXIMUM CURRENT CAPABILITIES REGISTER

These registers indicate maximum current capability for each voltage. The value is meaningful if **Voltage Support** is set in the *Capabilities* register. If this information is supplied by the Host System via another method, all *Maximum Current Capabilities* register shall be 0.

Register	Address	R/W	Description	Reset Value
MAXCURR0	0X4AC00048	HWInit	Maximum Current Capabilities Register (Channel 0)	0x0
MAXCURR1	0X4A800048	HWInit	Maximum Current Capabilities Register (Channel 1)	0x0

Name	Bit	Description	Initial Value
	[31:24]	Reserved	
MAXCURR18	[23:16]	Maximum Current for 1.8V (HWInit)	0
MAXCURR30	[15:8]	Maximum Current for 3.0V (HWInit)	0
MAXCURR33	[7:0]	Maximum Current for 3.3V (HWInit)	0

This register measures current in 4mA steps. Each voltage level's current support is described using the Table below.

Table 20-6. Maximum Current Value Definition

Register Value	Current Value
0	Get information via another method
1	4mA
2	8mA
3	12mA
...	...
255	1020mA

5.27 CONTROL REGISTER 2

Register	Address	R/W	Description	Reset Value
CONTROL2_0	0X4AC00080	R/W	Control register 2 (Channel 0)	0x0
CONTROL2_1	0X4A800080	R/W	Control register 2 (Channel 1)	0x0

Name	Bit	Description	Initial Value
	[31]	Write Status Clear Async Mode Enable This bit can make async-clear enable about Normal and Error interrupt status bit. During the initialization procedure command operation, this bit should be enabled. 0 = Disable 1 = Enable	0
CDINVRXD3	[30]	Command Conflict Mask Enable This bit can mask enable the Command Conflict Status (bit [1:0] of the "ERROR INTERRUPT STATUS REGISTER") 0 = Mask Disable 1 = Mask Enable	0
CDINVRXD3	[29]	Card Detect signal inversion for RX_DAT[3] 0 = Disable 1 = Enable	0
SELCARDOUT	[28]	Card Removed Condition Selection 0 = Card Removed condition is "Not Card Insert" State (When the transition from "Card Inserted" state to "Debouncing" state) 1 = Card Removed state is "Card Out" State (When the transition from "Debouncing state to "No Card" state)	0
FLTCLKSEL	[27:24]	Filter Clock (iFLTCLK) Selection Filter Clock period = $2^{(FltClkSel + 5)} \times iSDCLK$ period 0000 = 25 x iSDCLK, 0001 = 26 x iSDCLK ... 1111 = 220 x iSDCLK	0
LVLDAT	[23:16]	DAT line level Bit[23]=DAT[7], BIT[22]=DAT[6], BIT[21]=DAT[5], BIT[20]=DAT[4], Bit[19]=DAT[3], BIT[18]=DAT[2], BIT[17]=DAT[1], BIT[16]=DAT[0] (Read Only)	Line state
ENFBCLKTX	[15]	Feedback Clock Enable for Tx Data/Command Clock 0 = Disable 1 = Enable	0
ENFBCLKRX	[14]	Feedback Clock Enable for Rx Data/Command Clock 0 = Disable 1 = Enable	0
SDCDSEL	[13]	SD Card Detect Signal Selection	0

Name	Bit	Description	Initial Value
		Card Detect Pin Level does not simply reflect SDCD# pin, but chooses from SDCD, DAT[3], or CDTestlvl depending on CDSigSel and this field (SDCDSel) values 0 = nSDCD is used for SD Card Detect Signal 1 = DAT[3] is used for SD Card Detect Signal	
CDSYNCSSEL	[12]	SD Card Detect Sync Support This field is used to enable output CMD and DAT referencing SD Bus Power bit in the "PWRCON register", when being set. 0 = No Sync, no switch output enable signal (Command, Data) 1 = Sync, control output enable signal (Command, Data)	0
ENBUSYCHKTXSTART	[11]	CE-ATA I/F mode Busy state check before Tx Data start state 0 = Disable 1 = Enable	0
DFCNT	[10:9]	Debounce Filter Count Debounce Filter Count setting register for Card Detect signal input (SDCD#) 00 = No use debounce filter 01 = 4 iSDCLK 10 = 16 iSDCLK 11 = 64 iSDCLK	0
ENCLKOUTHOLD	[8]	SDCLK Hold Enable The enter and exit of the SDCLK Hold state is done by Host Controller. 0 = Disable 1 = Enable	0
RWAITMODE	[7]	Read Wait Release Control 0 = Read Wait state is released by the Host Controller (Auto) 1 = Read Wait state is released by the Host Device (Manual)	0
DISBUFRD	[6]	Buffer Read Disable 0 = Normal mode, user can read buffer(FIFO) data using 0x20 register 1 = User cannot read buffer (FIFO) data using 0x20 register. In this case, the buffer memory only can be read through memory area. (Debug purpose)	0
SELBASECLK	[5:4]	Base Clock Source Select 00 or 01 = HCLK 10 = SCLK_HSMMC# : EPLLout, MPLLout, PLL_source_clk or CLK27 clock (from SYSCON block, can be selected by MMC#_SEL[1:0] fields of the CLK_SRC register in SYSCON block) 11 = External Clock source (XTI or XEXTCLK)	00

Name	Bit	Description	Initial Value
PWRSYNC	[3]	SD OP Power Sync Support with SD Card This field is used to enable input CMD and DAT referencing SD Bus Power bit in the "PWRCON register", when being set. 0 = No Sync, no switch input enable signal (Command, Data) 1 = Sync, control input enable signal (Command, Data)	0
	[2]	Reserved	0
ENCLKOUTMSKCON	[1]	SDCLK output clock masking when Card Insert cleared This field when High is used not to stop SDCLK when No Card state. 0 = Disable 1 = Enable	0
HWINITFIN	[0]	SD Host Controller Hardware Initialization Finish 0 = Not Finish 1 = Finish	0

NOTES:

1. Ensure to always set SDCLK Hold Enable (EnSCHold) if the card does not support Read Wait to guarantee for Receive data not overwritten to the internal FIFO memory.
2. CMD_wo_DAT issue is prohibited during READ transfer when SDCLK Hold Enable is set

5.28 CONTROL REGISTER 3

Register	Address	R/W	Description	Reset Value
CONTROL3_0	0X4AC00084	R/W	FIFO Interrupt Control (Control Register 3) (Channel 0)	0x7F5F3F1F
CONTROL3_1	0X4A800084	R/W	FIFO Interrupt Control (Control Register 3) (Channel 1)	0x7F5F3F1F

Name	Bit	Description	Initial Value
FCSEL3	[31]	Feedback Clock Select [3] Reference (note 1)	0x0
FIA3	[30:24]	FIFO Interrupt Address register 3 FIFO (512Byte Buffer memory, word address unit) Initial value (0x7F) generates at 512-byte (128-word) position.	0x7F
FCSEL2	[23]	Feedback Clock Select [2] Reference (note 1)	0x0
FIA2	[22:16]	FIFO Interrupt Address register 2 FIFO (512Byte Buffer memory, word address unit) Initial value (0x5F) generates at 384-byte (96-word) position.	0x5F
FCSEL1	[15]	Feedback Clock Select [1] Reference (note 2)	0x0
FIA1	[14:8]	FIFO Interrupt Address register 1 FIFO (512Byte Buffer memory, word address unit) Initial value (0x3F) generates at 256-byte (64-word) position.	0x3F
FCSELO	[7]	Feedback Clock Select [0] Reference (note 2)	0x0
FIA0	[6:0]	FIFO Interrupt Address register 0 FIFO (512Byte Buffer memory, word address unit) Initial value (0x1F) generates at 128-byte (32-word) position.	0x1F

NOTES:

- FCSel[3:2] : Tx Feedback Clock Delay Control : Inverter delay means 10ns delay when SDCLK 50MHz setting
01 = Delay1 (basic delay), 11 = Delay2 (basic delay + 2ns),
00 = Delay3 (inverter delay), 10 = Delay4 (inverter delay + 2ns)
- FCSel[1:0] : Rx Feedback Clock Delay Control : Inverter delay means 10ns delay when SDCLK 50MHz setting
01 = Delay1 (basic delay), 11 = Delay2 (basic delay + 2ns),
00 = Delay3 (inverter delay), 10 = Delay4 (inverter delay + 2ns)
- Tx Feedback inversion setting (FCSel[3:2] = 00 or 10), Tx Feedback clock enable (ENFBCLKTX=0) and Normal Speed mode (ENHIGHSPD = 0) setting make Tx data transfer mismatch (Do not set).

5.29 DEBUG REGISTER

Register	Address	R/W	Description	Reset Value
DEBUG_0	0X4AC00088	R/W	DEBUG register (Channel 0)	Not fixed
DEBUG_1	0X4A800088	R/W	DEBUG register (Channel 1)	Not fixed

Name	Bit	Description	Initial Value
DBGREG	[31:0]	Debug Register Read Only Register for Debug Purpose (RO)	Not fixed

5.30 CONTROL REGISTER 4

Register	Address	R/W	Description	Reset Value
CONTROL4_0	0x4AC0008C	R/W	Control register 4 (Channel 0)	0x0
CONTROL4_1	0x4A80008C	R/W	Control register 4 (Channel 1)	0x0

Name	Bit	Description	Initial Value
Reserved	[31:1]	–	0
StaBusy	[0]	Status Busy This bit is “High” when the clock domain crossing (HCLK to SDCLK) operation is processing. This bit is status bit and Read Only (RO)	0

5.31 FORCE EVENT REGISTER FOR AUTO CMD12 ERROR STATUS

Register	Address	R/W	Description	Reset Value
FEAER0	0X4AC00050	WO	Force Event Auto CMD12 Error Interrupt Register Error Interrupt (Channel 0)	0x0000
FEAER1	0X4A800050	WO	Force Event Auto CMD12 Error Interrupt Register Error Interrupt (Channel 1)	0x0000

The Force Event Register is not a physically implemented register. Rather, it is an address at which the Auto CMD12 Error Status Register can be written.

- Writing 1: set each bit of the Auto CMD12 Error Status Register
- Writing 0: no effect

D15 D12

Name	Bit	Description	Initial Value
	[15:8]	–	0x0
	[7]	Force Event for Command Not Issued By Auto CMD12 Error 1 = Interrupt is generated 0 = No Interrupt	0
	[6:5]	–	0
	[4]	Force Event for Auto CMD12 Index Error 1 = Interrupt is generated 0 = No Interrupt	0
	[3]	Force Event for Auto CMD12 End Bit Error 1 = Interrupt is generated 0 = No Interrupt	0
	[2]	Force Event for Auto CMD12 CRC Error 1 = Interrupt is generated 0 = No Interrupt	0
	[1]	Force Event for Auto CMD12 Timeout Error 1 = Interrupt is generated 0 = No Interrupt	0
	[0]	Force Event for Auto CMD12 Not Executed 1 = Interrupt is generated 0 = No Interrupt	0

5.32 FORCE EVENT REGISTER FOR ERROR INTERRUPT STATUS

Register	Address	R/W	Description	Reset Value
FEERR0	0X4AC00052	WO	Force Event Error Interrupt Register Error Interrupt (Channel 0)	0x0000
FEERR1	0X4A800052	WO	Force Event Error Interrupt Register Error Interrupt (Channel 1)	0x0000

The *Force Event* Register is not a physically implemented register. Rather, it is an address at which the *Error Interrupt Status* register can be written. The effect of a write to this address will be reflected in the *Error Interrupt Status* Register if the corresponding bit of the *Error Interrupt Status Enable* Register is set.

- Writing 1: set each bit of the Error Interrupt Status Register
- Writing 0: no effect

Note: By setting this register, the Error Interrupt can be set in the *Error Interrupt Status* register. In order to generate interrupt signal, both the *Error Interrupt Status Enable* and **Error Interrupt Signal Enable** shall be set.

Name	Bit	Description	Initial Value
	[15:10]	Reserved	0x0
	[9]	Force Event for ADMA Error 1 = Interrupt is generated 0 = No Interrupt	0
	[8]	Force Event for Auto CMD12 Error 1 = Interrupt is generated 0 = No Interrupt	0
	[7]	Reserved	0
	[6]	Force Event for Data End Bit Error 1 = Interrupt is generated 0 = No Interrupt	0
	[5]	Force Event for Data CRC Error 1 = Interrupt is generated 0 = No Interrupt	0
	[4]	Force Event for Data Timeout Error 1 = Interrupt is generated 0 = No Interrupt	0
	[3]	Force Event for Command Index Error 1 = Interrupt is generated 0 = No Interrupt	0
	[2]	Force Event for Command End Bit Error 1 = Interrupt is generated 0 = No Interrupt	0
	[1]	Force Event for Command CRC Error 1 = Interrupt is generated 0 = No Interrupt	0
	[0]	Force Event for Command Timeout Error 1 = Interrupt is generated 0 = No Interrupt	0

5.33 ADMA ERROR STATUS REGISTER

When **ADMA Error** Interrupt is occurred, the **ADMA Error States** field in this register holds the ADMA state and the *ADMA System Address* Register holds the address around the error descriptor. For recovering the error, the Host Driver requires the ADMA state to identify the error descriptor address as follows:

- ST_STOP: Previous location set in the ADMA System Address register is the error descriptor address
- ST_FDS: Current location set in the ADMA System Address register is the error descriptor address
- ST_CADR: This state is never set because do not generate ADMA error in this state.
- ST_TFR: Previous location set in the ADMA System Address register is the error descriptor address

In case of write operation, the Host Driver should use ACMD22 to get the number of written block rather than using this information, since unwritten data may exist in the Host Controller.

The Host Controller generates the **ADMA Error** Interrupt when it detects invalid descriptor data (Valid=0) at the ST_FDS state. In this case, ADMA Error State indicates that an error occurs at ST_FDS state. The Host Driver may find that the Valid bit is not set in the error descriptor.

Register	Address	R/W	Description	Reset Value
ADMAERR0	0X4AC00054	R/W	ADMA Error Status Register (Channel 0)	0x00
ADMAERR1	0X4A800054	R/W	ADMA Error Status Register (Channel 1)	0x00

Name	Bit	Description	Initial Value
	[31:11]	Reserved	0x00
	[10]	ADMA Final Block Transferred (ROC) In ADMA operation mode, this field is set to High when the Transfer Complete condition and the block is final (no block transfer remains). If this bit is Low when the Transfer Complete condition, Transfer Complete is done due to the Stop at Block Gap, so data to be transferred still remains.	0
	[9]	ADMA Continue Request (WO) When the stop state by ADMA Interrupt, ADMA operation continues by setting this bit to HIGH.	0
	[8]	ADMA Interrupt Status (RW1C) This bit is set to HIGH when INT attribute in the ADMA Descriptor Table is asserted. This bit is not affected by ADMA error interrupt.	0
	[7:3]	Reserved	0
	[2]	ADMA Length Mismatch Error This error occurs in the following 2 cases. (1) While Block Count Enable being set, the total data length specified by the Descriptor table is different from that specified by the Block Count and Block Length. (2) Total data length can not be divided by the block length. 0 = No Error 1 = Error	00

Name	Bit	Description	Initial Value
	[1:0]	ADMA Error State This field indicates the state of ADMA when error is occurred during ADMA data transfer. This field never indicates "10" because ADMA never stops in this state. D01 – D00 ADMA Error State when error is occurred Contents of SYS_SDR register 00 = ST_STOP (Stop DMA) Points next of the error descriptor 01 = ST_FDS (Fetch Descriptor) Points the error descriptor 10 = Never set this state (Not used) 11 = ST_TFR (Transfer Data) Points the next of the error descriptor	0

5.34 ADMA SYSTEM ADDRESS REGISTER

This register contains the physical Descriptor address used for ADMA data transfer.

Register	Address	R/W	Description	Reset Value
ADMASYSADDR0	0X4AC00058	R/W	ADMA System Address Register (Channel 0)	0x00
ADMASYSADDR1	0X4A800058	R/W	ADMA System Address Register (Channel 1)	0x00

Name	Bit	Description	Initial Value														
SYSADADMA	[31:0]	<p>ADMA System Address</p> <p>This register holds byte address of executing command of the Descriptor table.</p> <p>32-bit Address Descriptor uses lower 32-bit of this register. At the start of ADMA, the Host Driver shall set start address of the Descriptor table. The ADMA increments this register address, which points to next line, when every fetching a Descriptor line. When the ADMA Error Interrupt is generated, this register shall hold valid Descriptor address depending on the ADMA state. The Host Driver shall program Descriptor Table on 32-bit boundary and set 32-bit boundary address to this register. ADMA2 ignores lower 2-bit of this register and assumes it to be 00b.</p> <p>32-bit Address ADMA</p> <table> <thead> <tr> <th>Register Value</th> <th>32-bit System Address</th> </tr> </thead> <tbody> <tr> <td>xxxxxxx 00000000h</td> <td>00000000h</td> </tr> <tr> <td>xxxxxxx 00000004h</td> <td>00000004h</td> </tr> <tr> <td>xxxxxxx 00000008h</td> <td>00000008h</td> </tr> <tr> <td>xxxxxxx 0000000Ch</td> <td>0000000Ch</td> </tr> <tr> <td>.....</td> <td>.....</td> </tr> <tr> <td>xxxxxxx FFFFFFFFCh</td> <td>FFFFFFFCh</td> </tr> </tbody> </table> <p>Note: The data length of the ADMA Descriptor Table should be the word unit (multiple of the 4-byte).</p>	Register Value	32-bit System Address	xxxxxxx 00000000h	00000000h	xxxxxxx 00000004h	00000004h	xxxxxxx 00000008h	00000008h	xxxxxxx 0000000Ch	0000000Ch	xxxxxxx FFFFFFFFCh	FFFFFFFCh	00
Register Value	32-bit System Address																
xxxxxxx 00000000h	00000000h																
xxxxxxx 00000004h	00000004h																
xxxxxxx 00000008h	00000008h																
xxxxxxx 0000000Ch	0000000Ch																
.....																
xxxxxxx FFFFFFFFCh	FFFFFFFCh																

5.35 HOST CONTROLLER VERSION REGISTER

Register	Address	R/W	Description	Reset Value
HCVER0	0X4AC000FE	HWInit	Host Controller Version Register (Channel 0)	0x0401
HCVER1	0X4A8000FE	HWInit	Host Controller Version Register (Channel 1)	0x0401

Name	Bit	Description	Initial Value
VENVER	[15:8]	<p>Vendor Version Number</p> <p>This status is reserved for the vendor version number. The Host Driver should not use this status.</p> <p>0x04 = SDMMC4.0 Host Controller</p>	0x04
SPECVER	[7:0]	<p>Specification Version Number</p> <p>This status indicates the Host Controller Spec. Version. The upper and lower 4-bits indicate the version</p> <p>00 = SD Host Specification Version 1.0</p> <p>01 = SD Host Specification Version 2.00 Including the feature of the ADMA and Test Register</p> <p>Others = Reserved</p>	0x01

21 LCD CONTROLLER

1 OVERVIEW

The LCD controller consists of logic for transferring image data from a video buffer located in system memory to an external LCD driver interface. LCD driver interface has two kind of interface. One is conventional RGB-interface and the other is i80-System interface. The LCD controller supports up to two overlay image windows, which support various color format, 16 level alpha blending, color key, x-y position control, soft scrolling, variable window size, and etc.

The LCD controller can support the various requirements on the screen related to the number of horizontal and vertical pixels, data line width for the data interface, interface timing, and refresh rate.

The LCD controller transfers the video data from the frame buffer and generates the necessary control signals such as, RGB_VSYNC, RGB_HSYNC, RGB_VCLK, RGB_VDEN, and SYS_CS0.... As well as the control signals, LCD controller has the data ports for video data, which are RGB_VD[23:0] and SYS_VD[17:0] as shown in Figure 21-1.

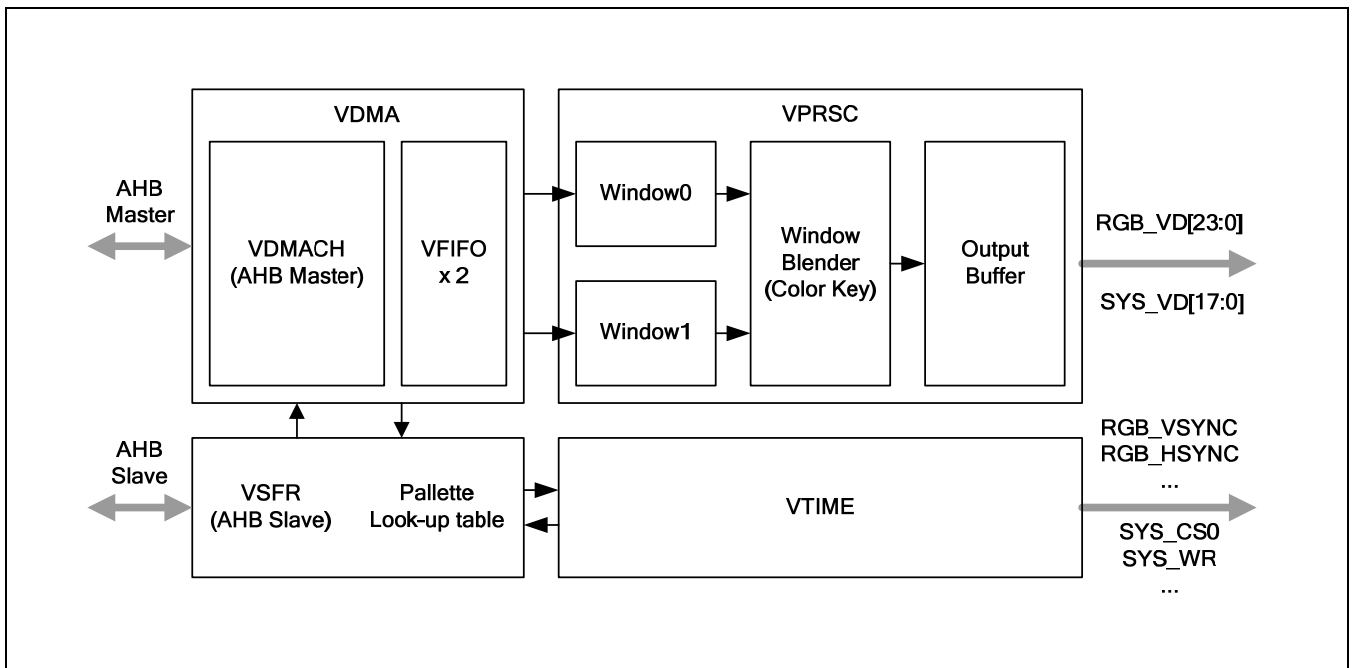


Figure 21-1. LCD Controller Block diagram

1.1 FEATURES

1.1.1 The features of LCD controller are:

- Bus Interface 32-bit AMBA AHB Master /AHB Slave
- Video Output Interface RGB Parallel I/F (24-bit)
RGB Serial I/F (8-bit)
i80-System I/F (18-bit)
- PIP (OSD) function Supports X,Y indexed position
Supports 4-bit Alpha blending :
Plane / Pixel(only supports 24-bit 8:8:8 mode)
- Source format Window 0 :
- Supports 1, 2, 4 or 8-bpp palletized color
- Supports 16, 18 or 24-bpp non-palletized color

Window 1 :
- Supports 1, 2, 4 or 8-bpp palletized color
- Supports 16, 18 or 24-bpp non-palletized color
- Configurable Burst Length Programable 4/ 8/ 16 Burst DMA
- Palette/Look-up table 256 x 25(ARGB) bits palette (2ea for Window 0, Window1)
- Soft Scrolling Horizontal : 1 Byte resloution
Vertical : 1 pixel resolution
- Virtual Screen Virtual image can has up to 1Mbyte image size.
- Transparent Overlay Support Transparent Overlay
- Color Key (Chroma Key) Support Color key function
- Duble Buffering Frame buffer alternating by one control bit
- Dithering Patented 4x4 dither matrix implemetation

2 FUNCTIONAL DESCRIPTION

2.1 BRIEF OF THE SUB-BLOCK

The LCD controller consists of a VSFR, VDMA, VPRCS, VTIME, and video clock generator. The VSFR has 71 programmable register sets and two-256x25 palette memory, which are used to configure the LCD controller. The VDMA is a dedicated LCD DMA, which it can transfer the video data in frame memory to VPRCS. By using this special DMA, the video data can be displayed on the screen without CPU intervention. The VPRCS receives the video data from VDMA and sends the video data through the data ports (RGB_VD, VEN_VD, or SYS_VD) to the display device (LCD) after changing them into a suitable data format, for example 8-bit per pixel mode (8 BPP Mode) or 16-bit per pixel mode (16 BPP Mode). The VTIME consists of programmable logic to support the variable requirement of interface timing and rates commonly found in different LCD drivers. The VTIME block generates RGB_VSYNC, RGB_HSYNC, RGB_VCLK, RGB_VDEN, SYS_CS1, SYS_CS0, and so on.

2.2 DATA FLOW

FIFO is present in the VDMA. When FIFO is empty or partially empty, VDMA requests data fetching from the frame memory based on the burst memory transfer mode(Consecutive memory fetching of 4 / 8 / 16 words per one burst request without allowing the bus mastership to another bus master during the bus transfer). When bus arbitrator in the memory controller accepts this kind of transfer request, there will be 4 / 8 / 16 successive word data transfers from system memory to internal FIFO. The each size of FIFO is 32 words. The LCD controller has two FIFOs because it needs to support the overlay window mode. In case of one screen display mode, the only one FIFO should be used. The data through FIFO is fetched by VPRCS which has a blending, scheduling function for the final image data. VPRCS supports overlay function that enables to overlay any image up to 2 window images whose is smaller or same size can be blended with main window image with programmable alpha blending or color (chroma) key function. Fig. 21-2 shows the data flow from system bus to the output buffer. VDMA has two DMA channels. Alpha values written in SFR determine the level of blending. Data from Output buffer will be appearing to the Video Data Port.

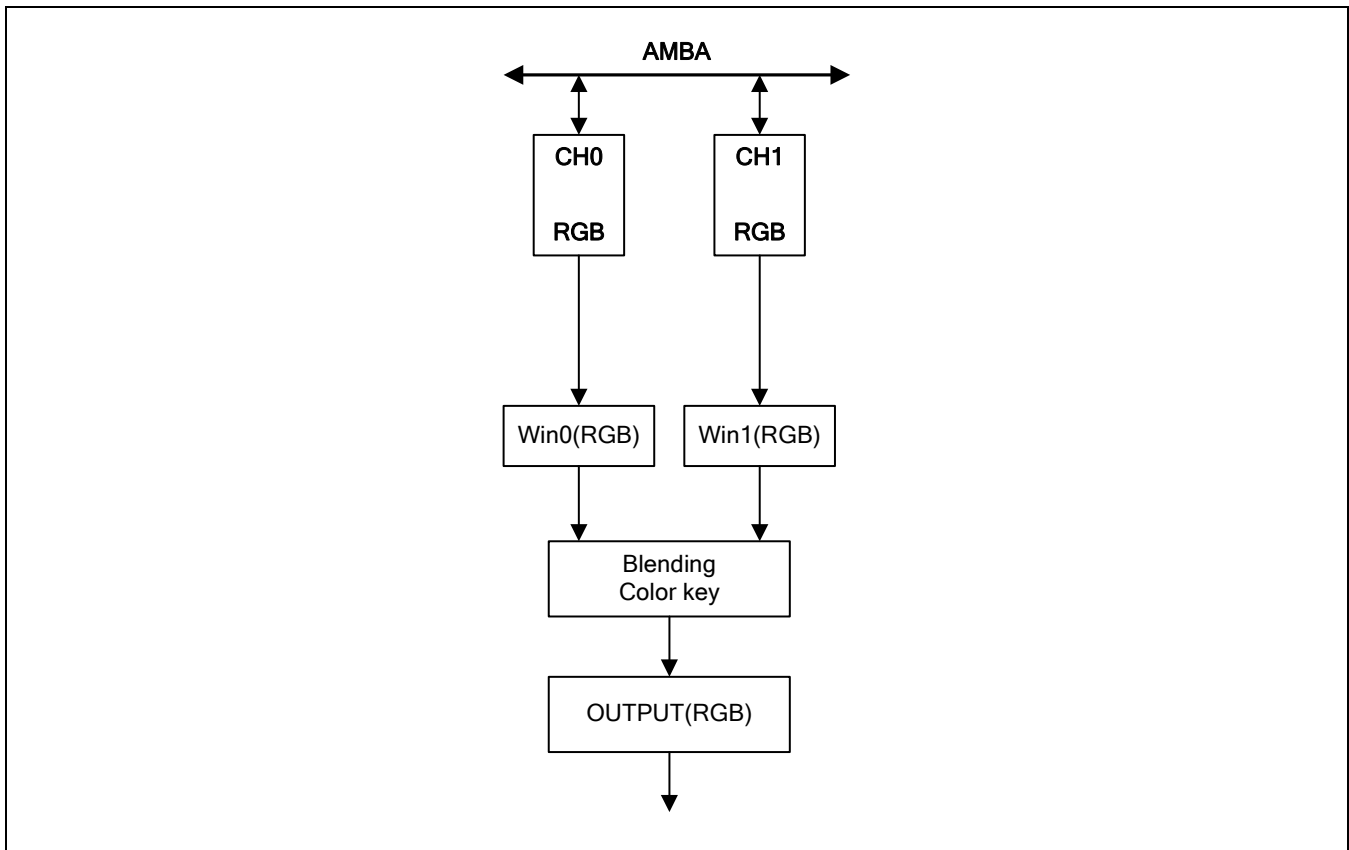


Figure 21-2. Block diagram of the Data Flow

2.3 INTERFACE

LCD controller supports 2 types of display device. One type is the conventional RGB-interface that uses RGB data, Vertical/horizontal sync, data valid signal and data sync clock. The Second type is i80-System interface that uses address, data, chip select, read/write control and register/status indicating signal. In this type of LCD driver, it has a frame buffer and has the function of self-refresh, so LCD controller updates one still image by writing only one time to the LCD.

2.4 OVERVIEW OF THE COLOR DATA

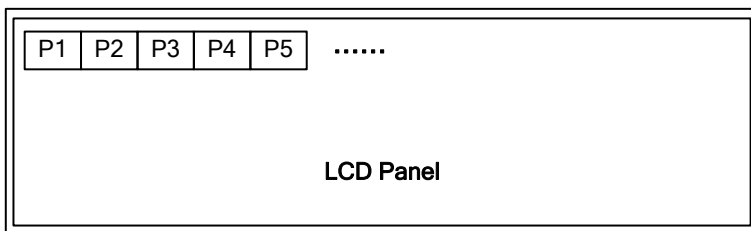
2.4.1 RGB Data format

The LCD controller requests the specified memory format of frame buffer. The next table shows some examples of each display mode.

2.4.2 28BPP display (A4+888)

(BSWP = 0, HWSWP = 0, BLD_PIX = 1, ALPHA_SEL = 1)

	D[31:28]	D[27:24]	D[23:0]
000H	Dummy Bit	Alpha value	P1
004H	Dummy Bit	Alpha value	P2
008H	Dummy Bit	Alpha value	P3
...			



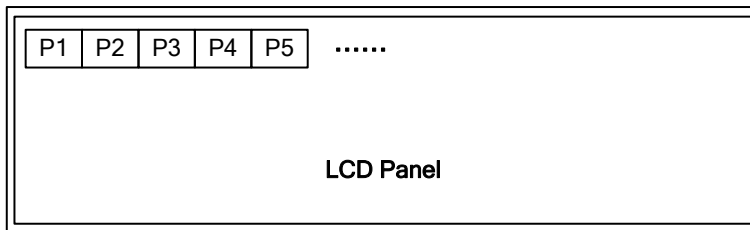
NOTE: D[23:16] = Red data, D[15:8] = Green data, D[7:0] = Blue data

In case of BLD_PIX and ALPHA_SEL are set,
 D[27:24] = Alpha value, D[23:16] = Red data, D[15:8] = Green data, D[7:0] = Blue data

2.4.3 25BPP display (A888)

(BSWP = 0, HWSWP = 0)

	D[31:25]	D[24]	D[23:0]
000H	Dummy Bit	AEN	P1
004H	Dummy Bit	AEN	P2
008H	Dummy Bit	AEN	P3
...			



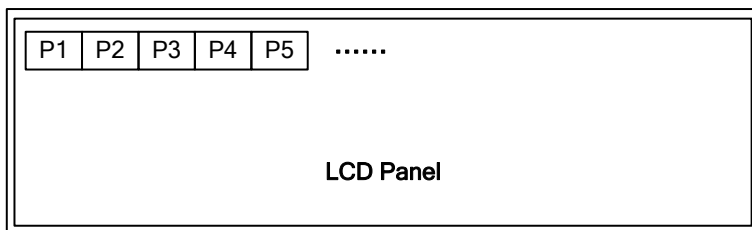
NOTES:

1. AEN : Select Alpha value in Window 1 Alpha Value Register for alpha blending
AEN = 0 : ALPHA0_R/G/B values are applied.
AEN = 1 : ALPHA1_R/G/B values are applied.
Each pixel of LCD panel displays blended color with lower layer window.
Refer to the equation of alpha blending on page 21-22.
2. D[23:16] = Red data, D[15:8] = Green data, D[7:0] = Blue data

2.4.4 24BPP display (A887)

(BSWP = 0, HWSWP = 0)

	D[31:24]	D[23]	D[22:0]
000H	Dummy Bit	AEN	P1
004H	Dummy Bit	AEN	P2
008H	Dummy Bit	AEN	P3
...			



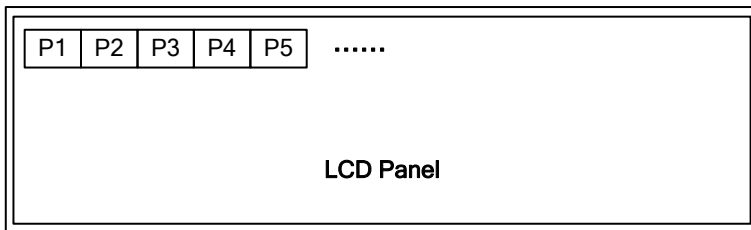
NOTES:

1. AEN : Select Alpha value in Window 1 Alpha Value Register for alpha blending
AEN = 0 : ALPHA0_R/G/B values are applied.
AEN = 1 : ALPHA1_R/G/B values are applied.
Each pixel of LCD panel displays blended color with lower layer window.
Refer to the equation of alpha blending on page 21-22.
2. D[22:15] = Red data, D[14:7] = Green data, D[6:0] = Blue data

2.4.5 24BPP display (888)

(BSWP = 0, HWSWP = 0)

	D[31:24]	D[23:0]
000H	Dummy Bit	P1
004H	Dummy Bit	P2
008H	Dummy Bit	P3
...		

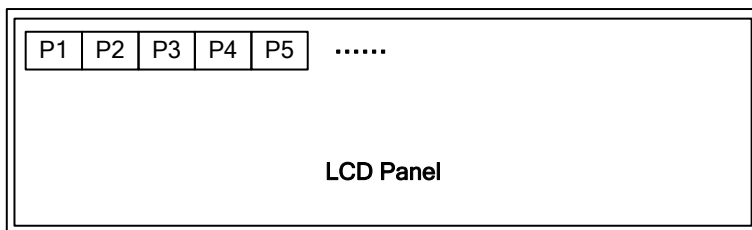


NOTE: D[23:16] = Red data, D[15:8] = Green data, D[7:0] = Blue data

2.4.6 19BPP display (A666)

(BSWP = 0, HWSWP = 0)

	D[31:19]	D[18]	D[17:0]
000H	Dummy Bit	AEN	P1
004H	Dummy Bit	AEN	P2
008H	Dummy Bit	AEN	P3
...			



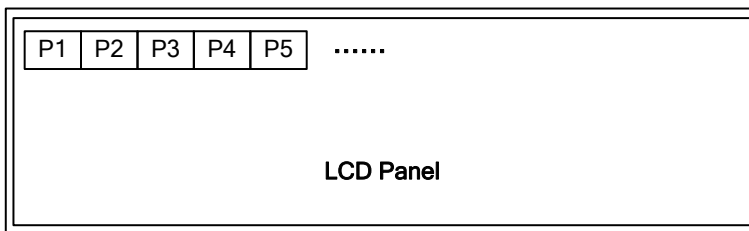
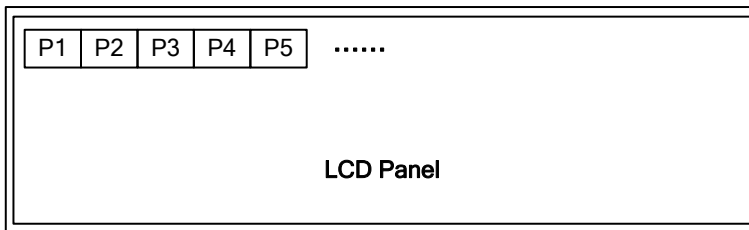
NOTES:

1. AEN : Select Alpha value in Window 1 Alpha Value Register for alpha blending
AEN = 0 : ALPHA0_R/G/B values are applied.
AEN = 1 : ALPHA1_R/G/B values are applied.
Each pixel of LCD panel displays blended color with lower layer window.
Refer to the equation of alpha blending on page 21-22.
2. D[17:12] = Red data, D[11:6] = Green data, D[5:0] = Blue data

2.4.7 18BPP display (666)

(BSWP = 0, HWSWP = 0)

	D[31:18]	D[17:0]
000H	Dummy Bit	P1
004H	Dummy Bit	P2
008H	Dummy Bit	P3
...		



NOTE: D[17:12] = Red data, D[11:6] = Green data, D[5:0] = Blue data

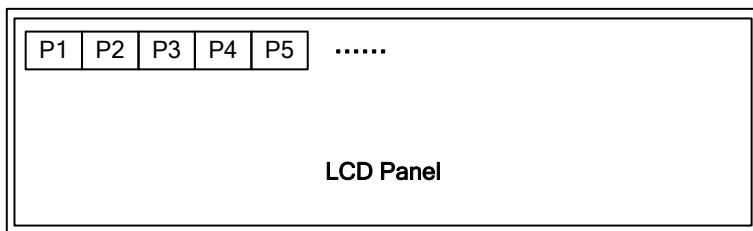
2.4.8 16BPP display (A555)

(BSWP = 0, HWSWP = 0)

	D[31]	D[30:16]	D[15]	D[14:0]
000H	AEN1	P1	AEN2	P2
004H	AEN3	P3	AEN4	P4
008H	AEN5	P5	AEN6	P6
...				

(BSWP = 0, HWSWP = 1)

	[31]	D[30:16]	D[15]	D[14:0]
000H	AEN2	P2	AEN1	P1
004H	AEN4	P4	AEN3	P3
008H	AEN6	P6	AEN5	P5
...				



NOTES:

- AEN : Select Alpha value in Window 1 Alpha Value Register for alpha blending
 AEN = 0 : ALPHA0_R/G/B values are applied.
 AEN = 1 : ALPHA1_R/G/B values are applied.
 Each pixel of LCD panel displays blended color with lower layer window.
 Refer to the equation of alpha blending on page 21-22.
- D[14:10] = Red data, D[9:5] = Green data, D[4:0] = Blue data

2.4.9 16BPP display (1+555)

(BSWP = 0, HWSWP = 0)

	D[31:16]	D[15:0]
000H	P1	P2
004H	P3	P4
008H	P5	P6
...		

(BSWP = 0, HWSWP = 1)

	D[31:16]	D[15:0]
000H	P2	P1
004H	P4	P3
008H	P6	P5
...		

NOTE: {D[14:10], D[15]} = Red data, {D[9:5], D[15]} = Green data, {D[4:0], D[15]} = Blue data

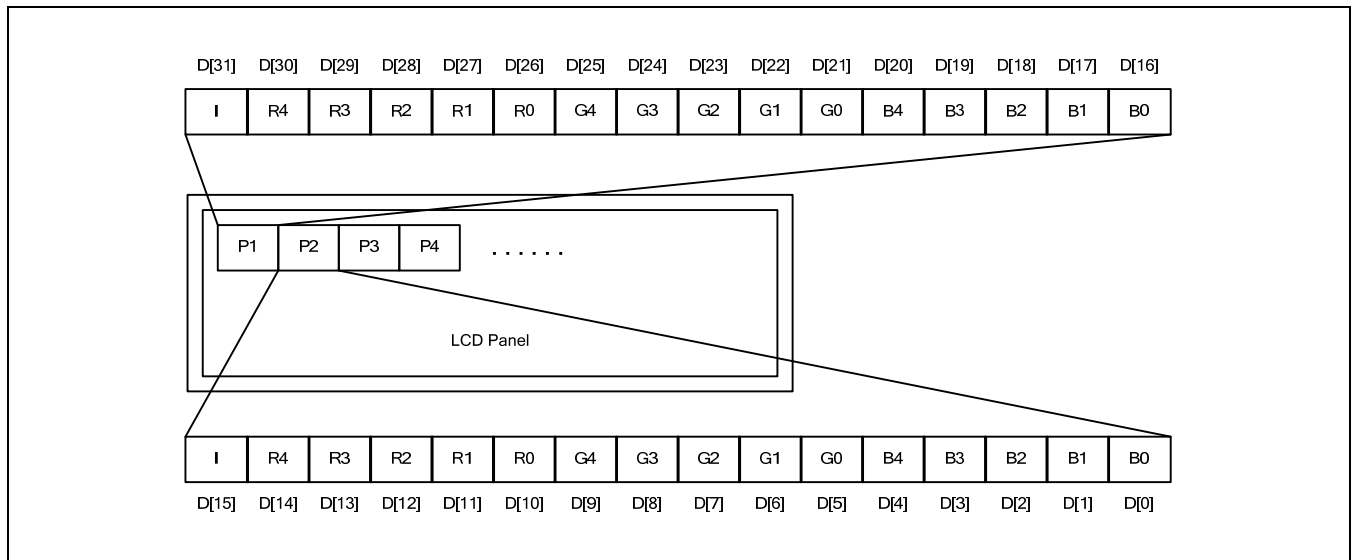


Figure 21-3. 16BPP(1+5:5:5, BSWP/HWSWP=0) Display Types

2.4.10 16BPP display (565)

(BSWP = 0, HWSWP = 0)

	D[31:16]	D[15:0]
000H	P1	P2
004H	P3	P4
008H	P5	P6
...		

(BSWP = 0, HWSWP = 1)

	D[31:16]	D[15:0]
000H	P2	P1
004H	P4	P3
008H	P6	P5
...		

NOTE: D[15:11] = Red data, D[10:5] = Green data, D[4:0] = Blue data

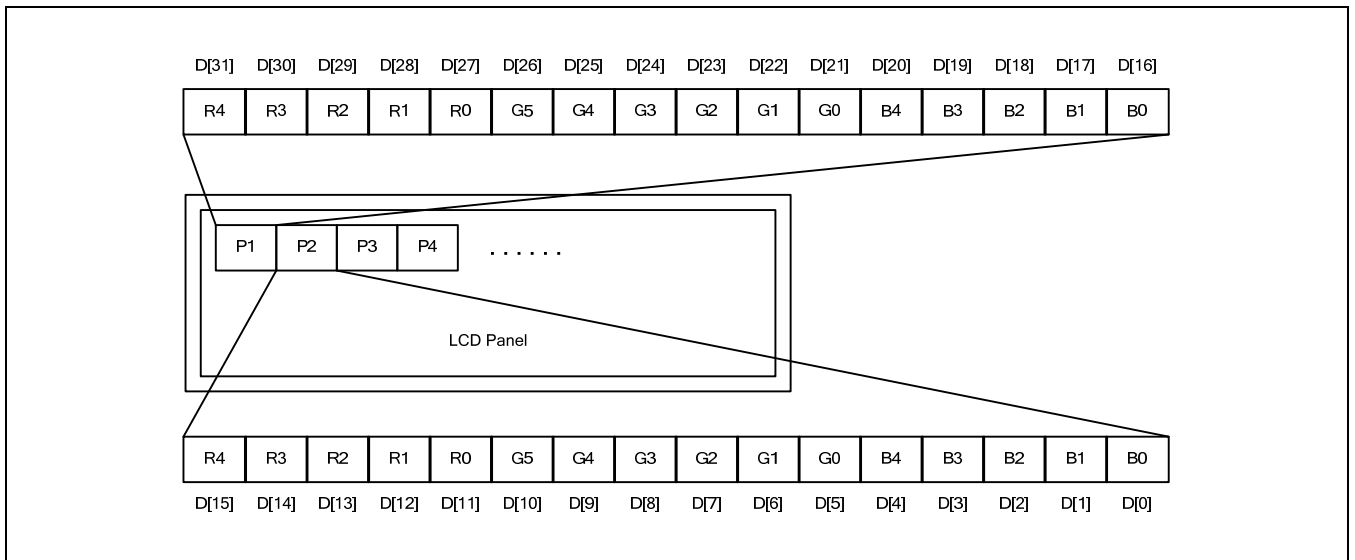


Figure 21-4. 16BPP(5:6:5, BSWP/HWSWP=0) Display Types

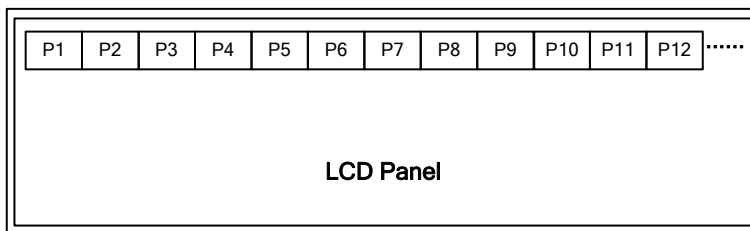
2.4.11 8BPP display (A232)

(BSWP = 0, HWSWP = 0)

	D[31]	D[30:24]	D[23]	D[22:16]	D[15]	D[14:8]	D[7]	D[6:0]
000H	AEN1	P1	AEN2	P2	AEN3	P3	AEN4	P4
004H	AEN5	P5	AEN6	P6	AEN7	P7	AEN8	P8
008H	AEN9	P9	AEN10	P10	AEN11	P11	AEN12	P12
...								

(BSWP = 1, HWSWP = 0)

	D[31]	D[30:24]	D[23]	D[22:16]	D[15]	D[14:8]	D[7]	D[6:0]
000H	AEN4	P4	AEN3	P3	AEN2	P2	AEN1	P1
004H	AEN8	P8	AEN7	P7	AEN6	P6	AEN5	P5
008H	AEN12	P12	AEN11	P11	AEN10	P10	AEN9	P9
...								



NOTES:

- AEN : Select Alpha value in Window 1 Alpha Value Register for alpha blending
 AEN = 0 : ALPHA0_R/G/B values are applied.
 AEN = 1 : ALPHA1_R/G/B values are applied.
 Each pixel of LCD panel displays blended color with lower layer window.
 Refer to the equation of alpha blending on page 21-22.
- D[6:5] = Red data, D[4:2] = Green data, D[1:0] = Blue data

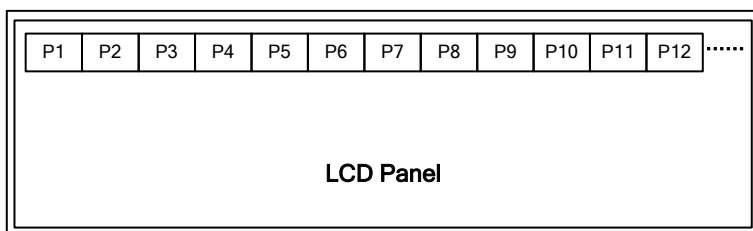
2.4.12 8BPP display (Palette)

(BSWP = 0, HWSWP = 0)

	D[31:24]	D[23:16]	D[15:8]	D[7:0]
000H	P1	P2	P3	P4
004H	P5	P6	P7	P8
008H	P9	P10	P11	P12
...				

(BSWP = 1, HWSWP = 0)

	D[31:24]	D[23:16]	D[15:8]	D[7:0]
000H	P4	P3	P2	P1
004H	P8	P7	P6	P5
008H	P12	P11	P10	P9
...				



NOTE: The values of frame buffer are index of palette memory.
 The MSB value of Palette memory is AEN bit.
 AEN : Select Alpha value in Window 1 Alpha Value Register for alpha blending
 AEN = 0 : ALPHA0_R/G/B values are applied.
 AEN = 1 : ALPHA1_R/G/B values are applied.
 Each pixel of LCD panel displays blended color with lower layer window.
 Refer to the equation of alpha blending on page 21-22.

2.4.13 4BPP display (Palette)

(BSPW = 0, HWSWP = 0)

	D[31:28]	D[27:24]	D[23:20]	D[19:16]	D[15:12]	D[11:8]	D[7:4]	D[3:0]
000H	P1	P2	P3	P4	P5	P6	P7	P8
004H	P9	P10	P11	P12	P13	P14	P15	P16
008H	P17	P18	P19	P20	P21	P22	P23	P24
...								

(BSPW = 1, HWSWP = 0)

	D[31:28]	D[27:24]	D[23:20]	D[19:16]	D[15:12]	D[11:8]	D[7:4]	D[3:0]
000H	P7	P8	P5	P6	P3	P4	P1	P2
004H	P15	P16	P13	P14	P11	P12	P9	P10
008H	P23	P24	P21	P22	P19	P20	P17	P18
...								

NOTE: The values of frame buffer are index of palette memory.
 The MSB value of Palette memory is AEN bit.
 AEN : Select Alpha value in Window 1 Alpha Value Register for alpha blending
 AEN = 0 : ALPHA0_R/G/B values are applied.
 AEN = 1 : ALPHA1_R/G/B values are applied.
 Each pixel of LCD panel displays blended color with lower layer window.
 Refer to the equation of alpha blending on page 21-22.

2.4.14 2BPP display (Palette)

(BSWP = 0, HWSWP = 0)

	[31:30]	[29:28]	[27:26]	[25:24]	[23:22]	[21:20]	[19:18]	[17:16]
002H	P1	P2	P3	P4	P5	P6	P7	P8
006H	P17	P18	P19	P20	P21	P22	P23	P24
00AH	P33	P34	P35	P36	P37	P38	P39	P40
...								
	[15:14]	[13:12]	[11:10]	[9:8]	[7:6]	[5:4]	[3:2]	[1:0]
000H	P9	P10	P11	P12	P13	P14	P15	P16
004H	P25	P26	P27	P28	P29	P30	P31	P32
008H	P41	P42	P43	P44	P45	P46	P47	P48
...								

2.4.15 1BPP display (Palette)

(BSWP = 0, HWSWP = 0)

	[31]	[30]	[29]	[28]	[27]	[26]	[25]	[24]	[23]	[22]	[21]	[20]	[19]	[18]	[17]	[16]
002H	P1	P2	P3	P4	P5	P6	P7	P8	P9	P10	P11	P12	P13	P14	P15	P16
006H	P33	P34	P35	P36	P37	P38	P39	P40	P41	P42	P43	P44	P45	P46	P47	P48
...																
	[15]	[14]	[13]	[12]	[11]	[10]	[9]	[8]	[7]	[6]	[5]	[4]	[3]	[2]	[1]	[0]
000H	P17	P18	P19	P20	P21	P22	P23	P24	P25	P26	P27	P28	P29	P30	P31	P32
004H	P49	P50	P51	P52	P53	P54	P55	P56	P57	P58	P59	P60	P61	P62	P63	P64
...																

NOTE: The values of frame buffer are index of palette memory.
The MSB value of Palette memory is AEN bit.
AEN : Select Alpha value in Window 1 Alpha Value Register for alpha blending
AEN = 0 : ALPHA0_R/G/B values are applied.
AEN = 1 : ALPHA1_R/G/B values are applied.
Each pixel of LCD panel displays blended color with lower layer window.
Refer to the equation of alpha blending on page 21-22.

2.5 VD SIGNAL CONNECTION

2.5.1 VD Pin Descriptions at 24BPP RGB parallel

VD	23	22	21	20	19	18	17	16	15	14	13	12	11	10	9	8	7	6	5	4	3	2	1	0
RED	7	6	5	4	3	2	1	0																
GREEN									7	6	5	4	3	2	1	0								
BLUE																	7	6	5	4	3	2	1	0

2.5.2 VD Pin Descriptions at 18BPP RGB parallel

VD	23	22	21	20	19	18	17	16	15	14	13	12	11	10	9	8	7	6	5	4	3	2	1	0									
RED	5	4	3	2	1	0	NC								NC									NC									
GREEN												5	4	3				2	1	0													
BLUE																							5				4	3	2	1	0		

2.5.3 VD Pin Descriptions at 16BPP RGB parallel

(5:6:5)

VD	23	22	21	20	19	18	17	16	15	14	13	12	11	10	9	8	7	6	5	4	3	2	1	0									
RED	4	3	2	1	0	NC									NC									NC									
GREEN												5	4	3				2	1	0													
BLUE																							4				3	2	1	0			

2.5.4 VD Pin Descriptions at 24BPP RGB Serial (8+8+8)

VD	23	22	21	20	19	18	17	16	[15:0]
1 st time	7	6	5	4	3	2	1	0	NC
2 nd time	7	6	5	4	3	2	1	0	
3 rd time	7	6	5	4	3	2	1	0	

2.5.5 VD Pin Descriptions at 18BPP RGB Serial (6+6+6)

VD	23	22	21	20	19	18	[17:0]
1 st time	5	4	3	2	1	0	NC
2 nd time	5	4	3	2	1	0	
3 rd time	5	4	3	2	1	0	

2.5.6 VD Pin Descriptions at 18BPP i80-System Interface

VD	23	22	21	20	19	18	17	16	15	14	13	12	11	10	9	8	7	6	5	4	3	2	1	0					
RED	NC						5	4	3	2	1	0																	
GREEN												5	4	3	2	1	0												
BLUE																							5	4	3	2	1	0	

2.5.7 VD Pin Descriptions at 16BPP i80-System Interface

VD	23	22	21	20	19	18	17	16	15	14	13	12	11	10	9	8	7	6	5	4	3	2	1	0							
RED	NC								4	3	2	1	0																		
GREEN															5	4	3	2	1	0											
BLUE																									4	3	2	1	0		

2.6 PALETTE USAGE

2.6.1 Palette Configuration and Format Control

The LCD controller can support the 256 colors palette for various selection of color mapping.

The user can select 256 colors from the 24-bit colors through these four formats.

256 colors palette consist of the 256(depth) × 25-bit DPSRAM. Palette supports 8:8:8, 6:6:6, 5:6:5(R:G:B), and etc format.

For example of A:5:5:5 format, write palette like Table 21-3 and then connect VD pin to LCD panel(R(5)=VD[23:19], G(5)=VD[15:11], and B(5)=VD[7:3]). Select Alpha value in Window 1 Alpha Value Register. At the last, Set Window Palette Control(**WOPAL, case window0**) register to 0'b101.

Table 21-1. 25BPP(A:8:8:8) Palette Data Format

INDEX\ Bit Pos.	24	23	22	21	20	19	18	17	16	15	14	13	12	11	10	9	8	7	6	5	4	3	2	1	0
00H	AEN	R7	R6	R5	R4	R3	R2	R1	R0	G7	G6	G5	G4	G3	G2	G1	G0	B7	B6	B5	B4	B3	B2	B1	B0
01H	AEN	R7	R6	R5	R4	R3	R2	R1	R0	G7	G6	G5	G4	G3	G2	G1	G0	B7	B6	B5	B4	B3	B2	B1	B0
.....
FFH	AEN	R7	R6	R5	R4	R3	R2	R1	R0	G7	G6	G5	G4	G3	G2	G1	G0	B7	B6	B5	B4	B3	B2	B1	B0
Number of VD	-	23	22	21	20	19	18	17	16	15	14	13	12	11	10	9	8	7	6	5	4	3	2	1	0

Table 21-2. 19BPP (A:6:6:6) Palette Data Format

INDEX\Bit Pos.	24	23	22	21	20	19	18	17	16	15	14	13	12	11	10	9	8	7	6	5	4	3	2	1	0
00H		-	-	-	-	-	AEN	R5	R4	R3	R2	R1	R0	G5	G4	G3	G2	G1	G0	B5	B4	B3	B2	B1	B0
01H		-	-	-	-	-	AEN	R5	R4	R3	R2	R1	R0	G5	G4	G3	G2	G1	G0	B5	B4	B3	B2	B1	B0
.....		-	-	-	-	-
FFH		-	-	-	-	-	AEN	R5	R4	R3	R2	R1	R0	G5	G4	G3	G2	G1	G0	B5	B4	B3	B2	B1	B0
Number of VD		-	-	-	-	-	-	23	22	21	20	19	18	15	14	13	12	15	14	7	6	5	4	3	2

Table 21-3. 16BPP(A:5:5:5) Palette Data Format

INDEX\Bit Pos.	24	23	22	21	20	19	18	17	16	15	14	13	12	11	10	9	8	7	6	5	4	3	2	1	0
00H		-	-	-	-	-	-	-	-	AEN	R4	R3	R2	R1	R0	G4	G3	G2	G1	G0	B4	B3	B2	B1	B0
01H		-	-	-	-	-	-	-	-	AEN	R4	R3	R2	R1	R0	G4	G3	G2	G1	G0	B4	B3	B2	B1	B0
.....		-	-	-	-	-	-	-	-
FFH		-	-	-	-	-	-	-	-	AEN	R4	R3	R2	R1	R0	G4	G3	G2	G1	G0	B4	B3	B2	B1	B0
Number of VD		-	-	-	-	-	-	-	-	-	23	22	21	20	19	15	14	13	12	11	7	6	5	4	3

3 WINDOW BLENDING

3.1 OVERVIEW

The main function of the VPRCS module is window blending. LCD controller has 2-window layers and the detail is described below. As an example of application, System can use win0 as an OS window, full TV screen window or etc. This feature enhances the system performance by reducing the data rate of total system.

3.1.1 Total 2 windows

Window 0 (base) : RGB with palette

Window 1 (overlay) : RGB with palette

3.1.2 Overlay Priority

$Win\ 1 > Win\ 0$

3.1.3 Blending equation

$$WinOut(R) = Win0(R) \times (1-AR) + Win1(R) \times AR$$

$$WinOut(G) = Win0(G) \times (1-AG) + Win1(G) \times AG$$

$$WinOut(B) = Win0(B) \times (1-AB) + Win1(B) \times AB$$

Where,

$AR = Win1$'s Red blending factor($ALPHA0_R/16$ or $ALPHA1_R/16$ or $DATA[27:24]/16$, AR range is 0~1)

$AG = Win1$'s Green blending factor($ALPHA0_G/16$ or $ALPHA1_G/16$ or $DATA[27:24]/16$, AG range is 0~1)

$AB = Win1$'s Blue blending factor($ALPHA0_B/16$ or $ALPHA1_B/16$ or $DATA[27:24]/16$, AB range is 0~1)

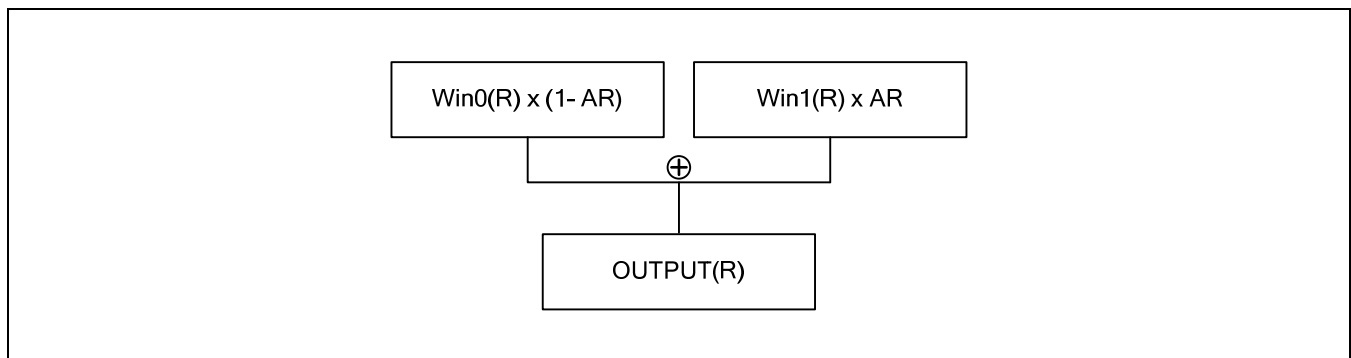


Figure 21-5. Blending Operations

3.2 BLENDING DIAGRAM/DETAILS

LCD controller could blend 2-Layer for the only one pixel at the same time. The Blending factor, alpha value is controlled by ALPHA0_R/G/B and ALPHA1_R/G/B fields in Window 1 Alpha Value register or DATA[27:24] in frame buffer, which are implemented for each window layer and color(R,G,B). As a special feature, between two windows have two kinds of alpha blending value. One is ALPHA0_R/G/B(AEN=0) and the other is ALPHA1_R/G/B(AEN=1).

Table 21-4. Alpha Value Selection Table for Blending

BLD_PIX = 0 (WINCON1[6])	ALPHA_SEL = 0 @WINCON1[1]	ALPHA0_R/G/B		
	ALPHA_SEL = 1 @WINCON1[1]	ALPHA1_R/G/B		
BLD_PIX = 1 @WINCON1[6]	ALPHA_SEL = 0 @WINCON1[1]	KEYBLEND = 0 @W1KEYCON0[26]	AEN = 0	ALPHA0_R/G/B
			AEN = 1	ALPHA1_R/G/B
	ALPHA_SEL = 1 @WINCON1[1]	KEYBLEND = 1 @W1KEYCON0[26]	Non-Key area	ALPHA0_R/G/B
			Key area	ALPHA1_R/G/B
ALPHA_SEL = 1 @WINCON1[1]		DATA[27:24] in frame buffer for 28bpp mode		

3.2.1 COLOR-KEY FUNCTION

The LCD controller can support color-key function for the various effect of image mapping. Color image of OSD layer, which is specified by COLOR-KEY register, will be substituted by background image for special functionality, as cursor image.

The register value to ColorKey reg must be set in 24bit RGB format.

DIRCON (in Win1 Color Key 0 register) bit selects the window to be compared with COLVAL (in Win1 Color Key 1 Register). If this bit is set to '0', the comparison window is window1 (foreground window).

COMPKEY (in Win1 Color Key 0 register) value decides whether to compare COLVAL and selected window color. In other words, the comparator only compares COLVAL and selected window color bits where the corresponding bit in COMPKEY is '0'.

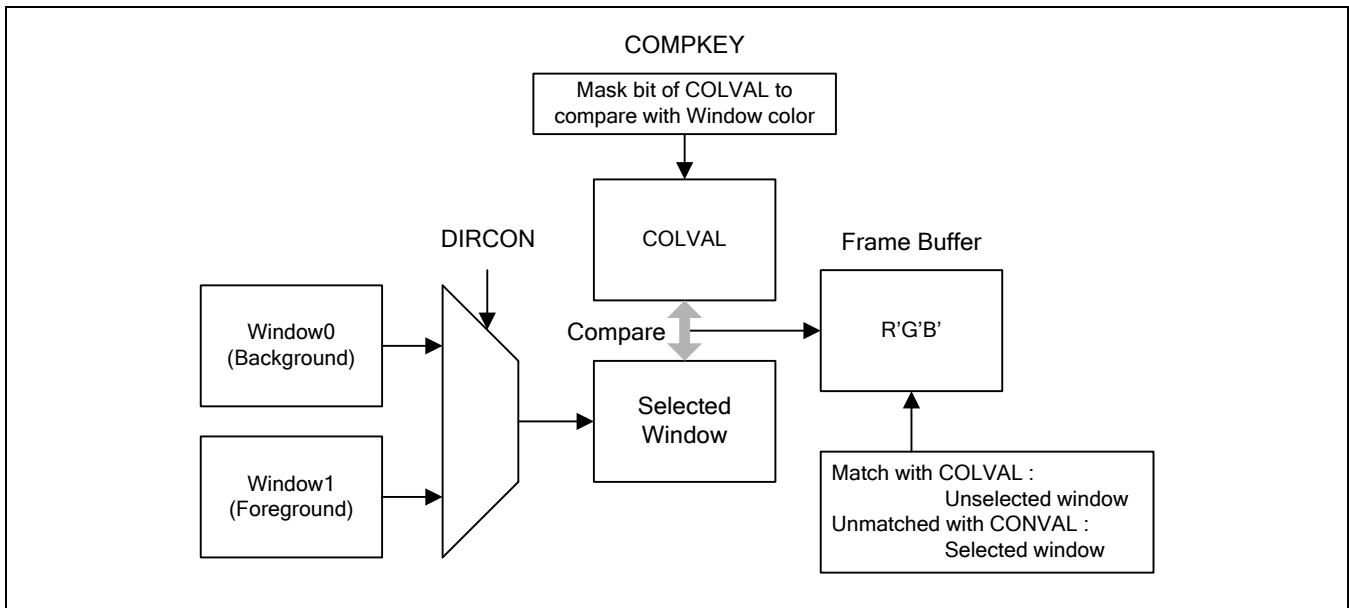


Figure 21-6. Color Key Block Diagram

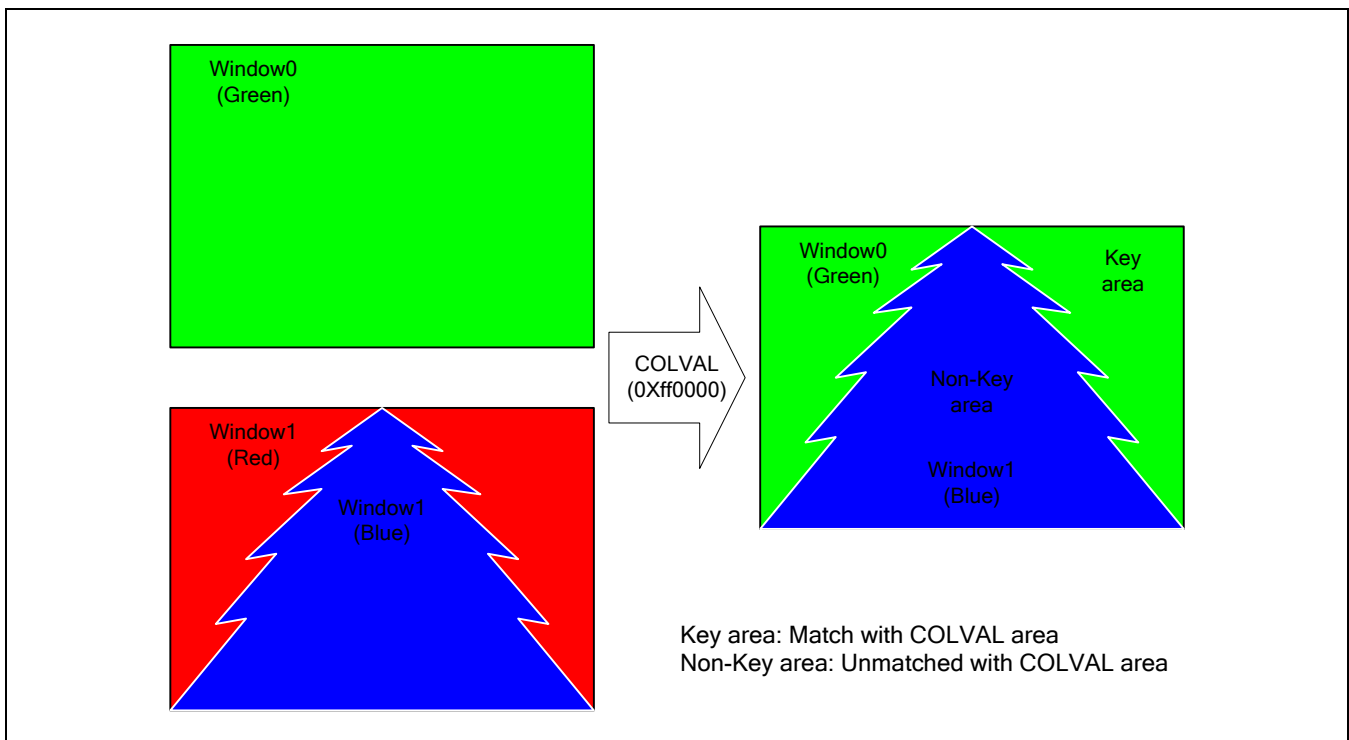


Figure 21-7. Color Key Operations

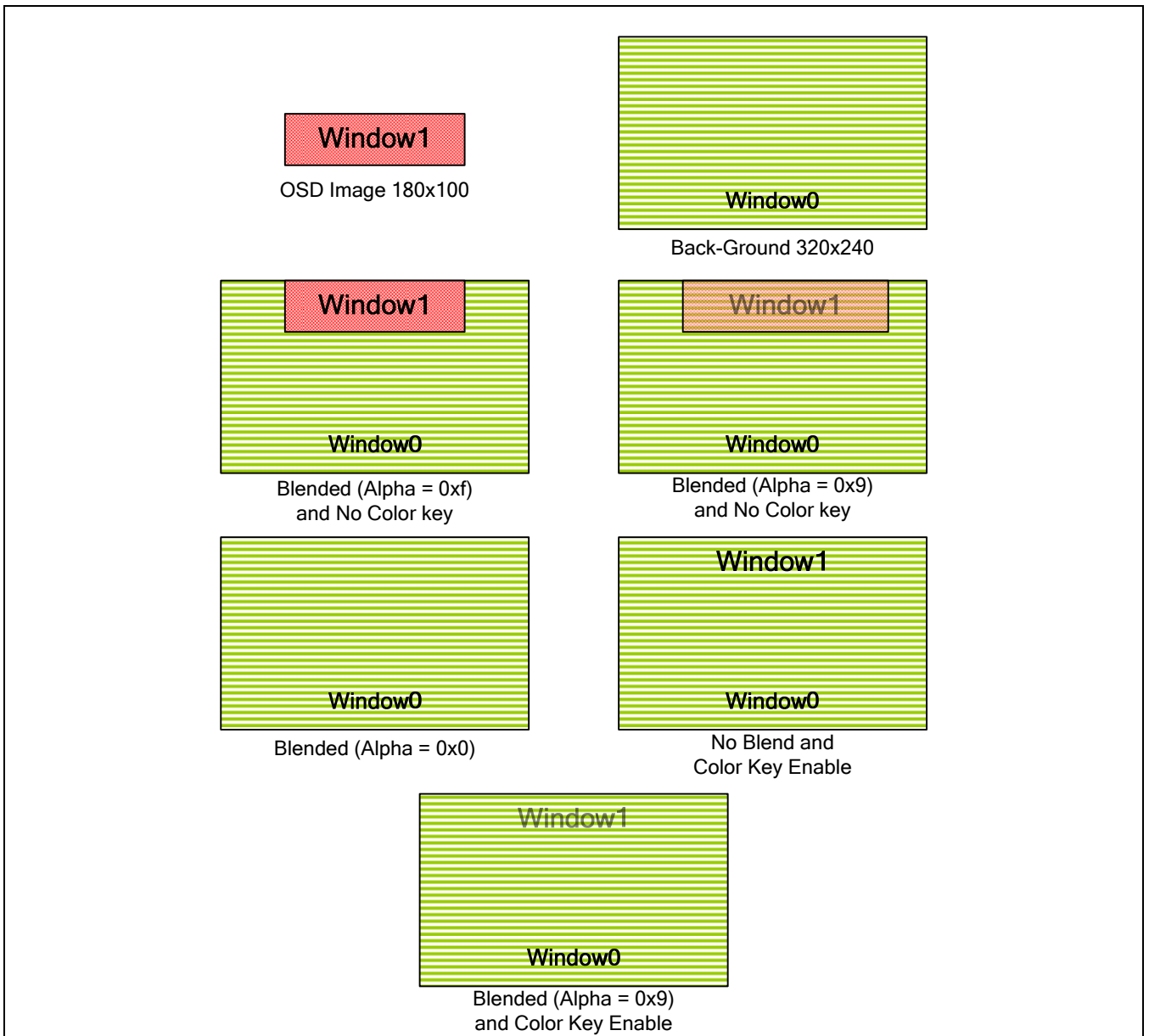


Figure 21-8. Color Key Function Configurations

4 VTIME CONTROLLER OPERATION

4.1 RGB INTERFACE

The VTIME generates the control signals such as, RGB_VSYNC, RGB_HSYNC, RGB_VDEN and RGB_VCLK signal for RGB interface. These control signals are highly related with the configuration on the VIDTCON0/1/2 registers in the VSFR register. Base on these programmable configurations of the display control registers in VSFR, the VTIME module can generate the programmable control signals suitable for the support of many different types of display device.

The RGB_VSYNC signal is asserted to cause the LCD's line pointer to start over at the top of the display. The RGB_VSYNC and RGB_HSYNC pulse generation is controlled by the configuration of both the HOZVAL field and the LINEVAL registers. The HOZVAL and LINEVAL can be determined by the size of the LCD panel according to the following equations:

$$\text{HOZVAL} = (\text{Horizontal display size}) - 1$$

$$\text{LINEVAL} = (\text{Vertical display size}) - 1$$

The rate of RGB_VCLK signal can be controlled by the CLKVAL field in the VIDCON0 register. The table below defines the relationship of RGB_VCLK and CLKVAL. The minimum value of CLKVAL is 1.

$$\text{RGB_VCLK (Hz)} = \text{HCLK} / [\text{CLKVAL} + 1]$$

Table 21-5. Relation between VCLK and CLKVAL (Freq. of Video Clock Source=60MHz)

CLKVAL	60MHz/X	VCLK
1	60 MHz/2	30.0 MHz
2	60 MHz/3	15.0 MHz
:	:	:
63	60 MHz/64	938 kHz

The RGB_HSYNC and RGB_VSYNC signal is configured by RGB_VSYNC, VBPD, VFPD, HSYNC, HBPD, HFPD, HOZVAL and LINEVAL. Refer the Figure 21-10.

The frame rate is RGB_VSYNC signal frequency. The frame rate is related with the field of RGB_VSYNC, VBPD, VFPD, LINEVAL, HSYNC, HBPD, HFPD, HOZVAL, CLKVAL registers. Most LCD drivers need their own adequate frame rate. The frame rate is calculated as follows;

$$\text{Frame Rate} = 1 / [\{ (\text{VSPW} + 1) + (\text{VBPD} + 1) + (\text{LINEVAL} + 1) + (\text{VFPD} + 1) \} \times \{ (\text{HSPW} + 1) + (\text{HBPD} + 1) + (\text{HFPD} + 1) + (\text{HOZVAL} + 1) \} \times \{ (\text{CLKVAL} + 1) \} / (\text{Frequency of Clock source})]$$

4.2 i80-SYSTEM INTERFACE

The VTIME generates the control signals such as, SYS_CS0, SYS_CS1, SYS_RS and SYS_WE signal for i80-System Interface. The LCDIFMODE, LCD_CS_SETUP, LCD_WAIT_WR and LCD_HOLD_WR registers control these signals. Refer to figure 21-11.

5 VIRTUAL DISPLAY

The LCD controller supports the hardware horizontal or vertical scrolling. If the screen is scrolled, the fields of LCDBASEU and LCDBASEL registers need to be changed (refer to Figure 21-9), but PAGEWIDTH and OFFSIZE value do not change. The size of video buffer in which the image is stored should be larger than the LCD panel screen size.

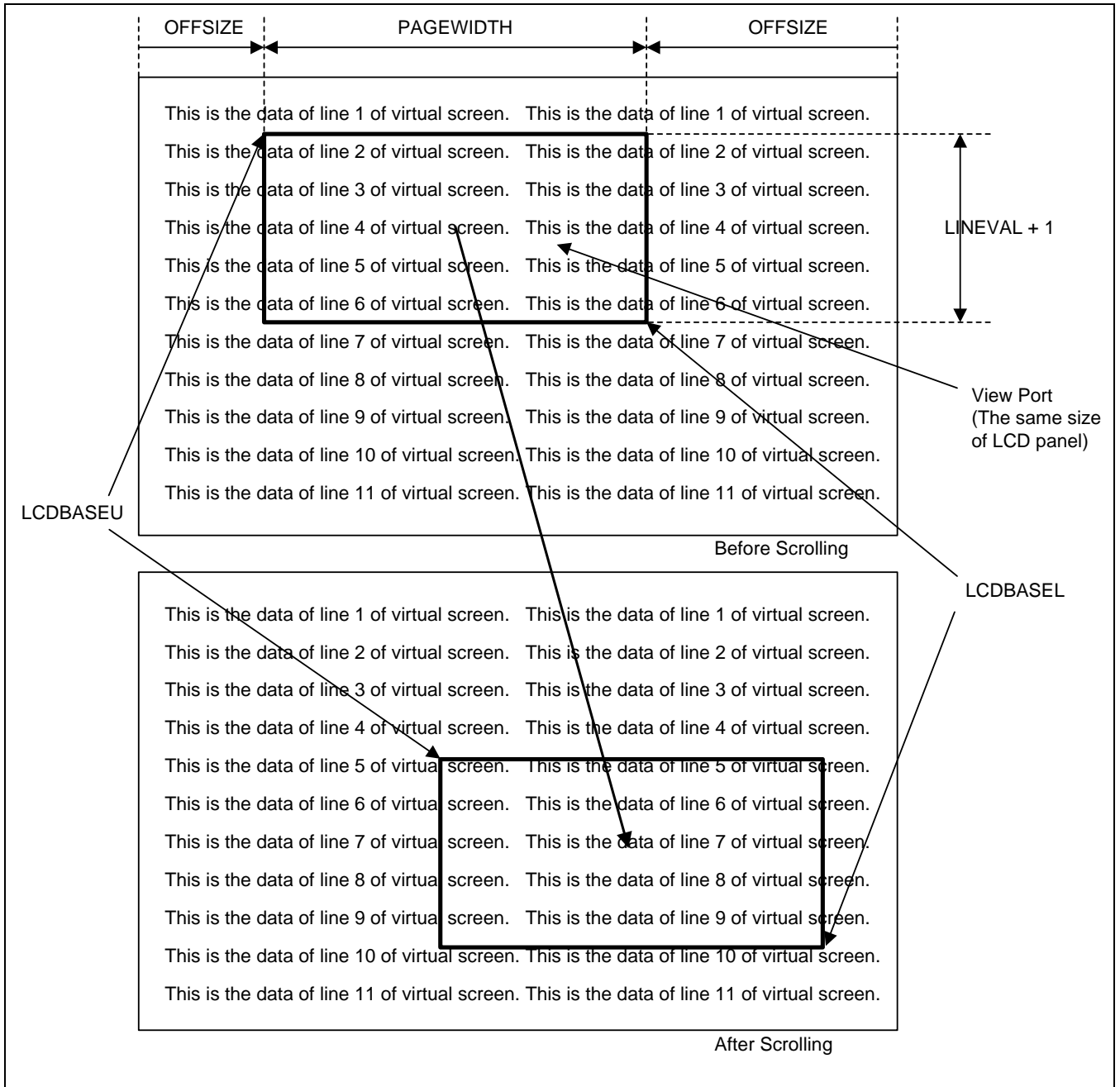


Figure 21-9. Example of Scrolling in Virtual Display

6 RGB INTERFACE I/O

6.1.1 Signals

Name	Type	Description
RGB_HSYNC	Output	Horizontal Sync. Signal
RGB_VSYNC	Output	Vertical Sync. Signal
RGB_VCLK	Output	LCD Video Clock
RGB_VDEN	Output	Data Enable
RGB_VD[23:0]	Output	RGB data output

6.1.2 RGB I/F Timing

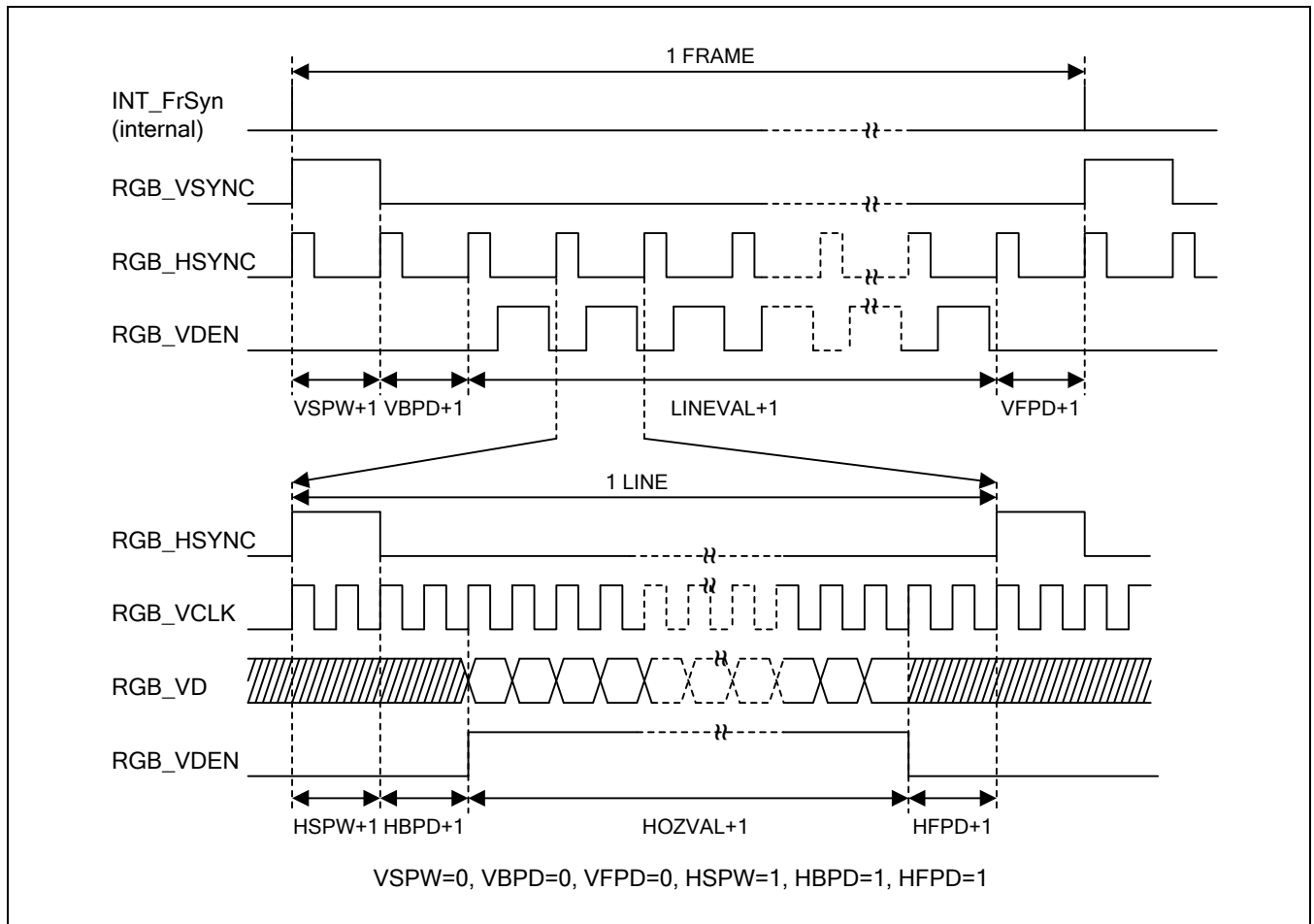


Figure 21-10. LCD RGB Interface Timing

7 LCD CPU INTERFACE I/O (i80-SYSTEM I/F)

7.1.1 Signals

Name	Type	Description
SYS_VD[17:0]	InOut	Video Data
SYS_CS0	Output	Chip select for Main LCD
SYS_CS1	Output	Chip select for Sub LCD
SYS_WR	Output	Write enable
SYS_OE	Output	Output enable
SYS_RS	Output	Register/State select

7.1.2 CPU (i80-System) I/F Timing

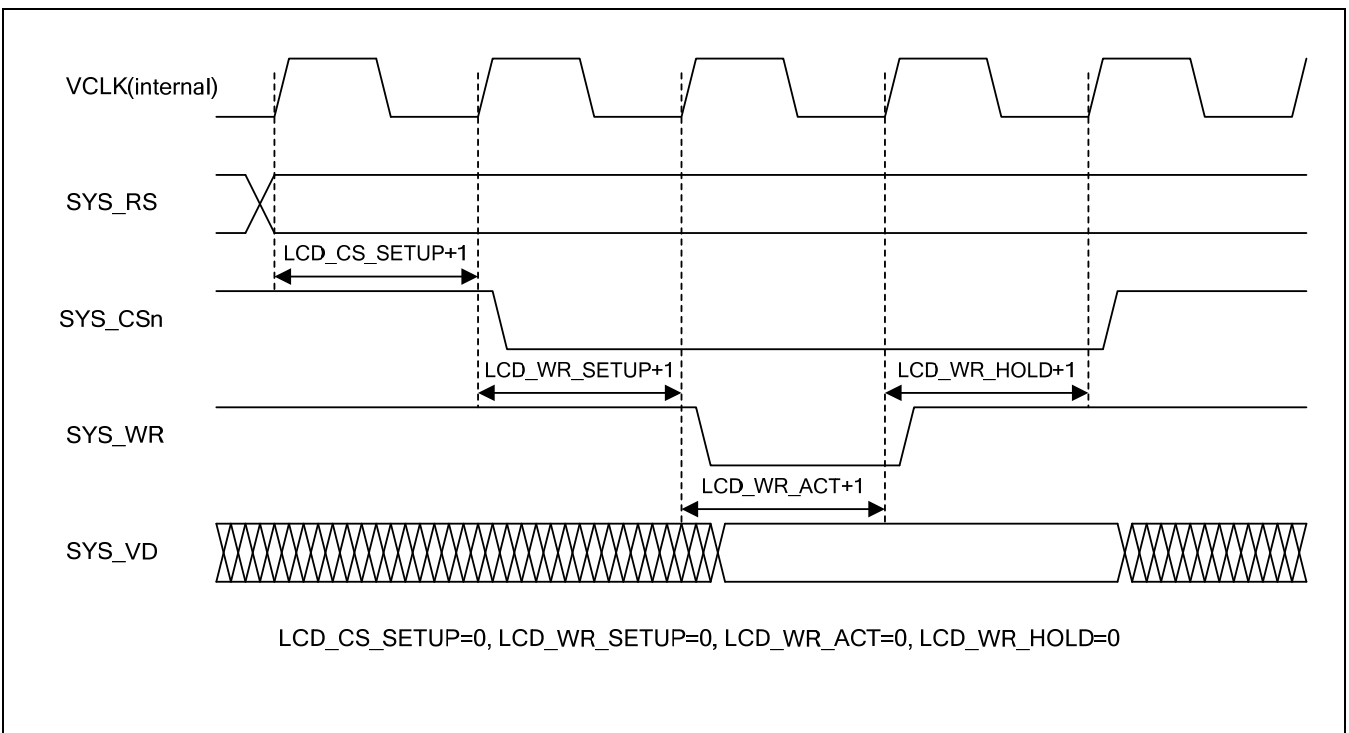


Figure 21-11. Write Cycle Timing

7.1.3 LCD signal Muxing

Table 21-6. LCD Signal Muxing Table (RGB and i-80 I/F)

PAD	VIDOUT	Signals
RGB_VCLK/SYS_WR	10/11	SYS_WR
	01	Reserved
	00	RGB_VCLK
RGB_HSYNC/SYS_CS0	10/11	SYS_CS0
	01	Reserved
	00	RGB_HSYNC
RGB_VSYNC/SYS_CS1	10/11	SYS_CS1
	01	Reserved
	00	RGB_VSYNC
RGB_VDEN/SYS_RS	10/11	SYS_RS
	01	Reserved
	00	RGB_VDEN
RGB_LEND/SYS_OE	10/11	SYS_OE
	01	Reserved
	00	RGB_LEND
RGB_VD/SYS_VD	10/11	SYS_VD
	01	Reserved
	00	RGB_VD

- VIDOUT values are defined in VIDCON0[23:22]

8 PROGRAMMER'S MODEL

8.1 OVERVIEW

The following registers are used to configure LCD controller

1. VIDCON0: Configure Video output format and display enable/disable.
2. VIDCON1: RGB I/F control signal.
3. SYSIFCONx: i80-System I/F control signal.
4. VIDTCONx: Configure Video output Timing and determine the size of display.
5. WINCONx: Each window format setting
6. VIDOSDxA, VIDOSDxB: Window position setting
7. VIDOSDxC: Alpha value setting
8. VIDWxxADDx: Source image address setting
9. WxKEYCONx: Color key value register
10. WINxMAP: Window color control
11. WPALCON: Palette control register
12. WxPDATAxx: Window Palette Data of the each Index

8.1.1 Register Descriptions

Register	Address	R/W	Description	Reset Value
VIDCON0	0x4C800000	R/W	Video control 0 register	0x0000_0000
VIDCON1	0x4C800004	R/W	Video control 1 register	0x0000_0000
VIDTCON0	0x4C800008	R/W	Video time control 0 register	0x0000_0000
VIDTCON1	0x4C80000C	R/W	Video time control 1 register	0x0000_0000
VIDTCON2	0x4C800010	R/W	Video time control 2 register	0x0000_0000
WINCON0	0x4C800014	R/W	Window control 0 register	0x0000_0000
WINCON1	0x4C800018	R/W	Window control 1 register	0x0000_0000
VIDOSD0A	0x4C800028	R/W	Video Window 0's position control register	0x0000_0000
VIDOSD0B	0x4C80002C	R/W	Video Window 0's position control register	0x0000_0000
VIDOSD1A	0x4C800034	R/W	Video Window 1's position control register	0x0000_0000
VIDOSD1B	0x4C800038	R/W	Video Window 1's position control register	0x0000_0000
VIDOSD1C	0x4C80003C	R/W	Video Window 1's alpha value register	0x0000_0000
VIDW00ADD0B0	0x4C800064	R/W	Window 0's buffer start address register, buffer 0	0x0000_0000
VIDW00ADD0B1	0x4C800068	R/W	Window 0's buffer start address register, buffer 1	0x0000_0000
VIDW01ADD0	0x4C80006C	R/W	Window 1's buffer start address register	0x0000_0000
VIDW00ADD1B0	0x4C80007C	R/W	Window 0's buffer end address register, buffer 0	0x0000_0000
VIDW00ADD1B1	0x4C800080	R/W	Window 0's buffer end address register, buffer 1	0x0000_0000
VIDW01ADD1	0x4C800084	R/W	Window 1's buffer end address register	0x0000_0000

Register	Address	R/W	Description	Reset Value
VIDW00ADD2B0	0x4C800094	R/W	Window 0's buffer size register, buffer 0	0x0000_0000
VIDW00ADD2B1	0x4C800098	R/W	Window 0's buffer size register, buffer 1	0x0000_0000
VIDW01ADD2	0x4C80009C	R/W	Window 1's buffer size register	0x0000_0000
VIDINTCON	0x4C8000AC	R/W	Indicate the Video interrupt control register	0x03F0_0000
W1KEYCON0	0x4C8000B0	R/W	Color key control register	0x0000_0000
W1KEYCON1	0x4C8000B4	R/W	Color key value (transparent value) register	0x0000_0000
W2KEYCON0	0x4C8000B8	R/W	Color key control register	0x0000_0000
W2KEYCON1	0x4C8000BC	R/W	Color key value (transparent value) register	0x0000_0000
W3KEYCON0	0x4C8000C0	R/W	Color key control register	0x0000_0000
W3KEYCON1	0x4C8000C4	R/W	Color key value (transparent value) register	0x0000_0000
W4KEYCON0	0x4C8000C8	R/W	Color key control register	0x0000_0000
W4KEYCON1	0x4C8000CC	R/W	Color key value (transparent value) register	0x0000_0000
WIN0MAP	0x4C8000D0	R/W	Window color control	0x0000_0000
WIN1MAP	0x4C8000D4	R/W	Window color control	0x0000_0000
WPALCON	0x4C8000E4	R/W	Window Palette control register	0x0000_0000
SYSIFCON0	0x4C800130	R/W	i80-System Interface control for Main LDI	0x0000_0000
SYSIFCON1	0x4C800134	R/W	i80-System Interface control for Sub LDI	0x0000_0000
DITHMODE	0x4C800138	R/W	Dithering mode register	0x0000_0000
SIFCCON0	0x4C80013C	R/W	i80-System Interface command control	0x0000_0000
SIFCCON1	0x4C800140	R/W	i80-System Interface command data write control	0x0000_0000
SIFCCON2	0x4C800144	R	i80-System Interface command data read control	0x0000_0000
CPUTRIGCON2	0x4C800160	R/W	Software-Base trigger control register	0x0000_0000
WIN0 Palette RAM	0x4C800400~ 0x4C8007FC	R/W	Window0 palette entry0 ~ 255 address	Undefined
WIN1 Palette RAM	0x4C800800~ 0x4C800BFC	R/W	Window1 palette entry0 ~ 255 address	Undefined

8.1.2 Video Main Control 0 Register

Register	Address	R/W	Description	Reset Value
VIDCON0	0x4C800000	R/W	Video control 1 register	0x0000_0000

VIDCON0	Bit	Description	Initial State
Reserved	[31:24]	Reserved	0x00
VIDOUT	[23:22]	It determines the output format of LCD Controller 00 = RGB I/F 01 = Reserved 10 = i80-System I/F for Main LDI 11 = i80-System I/F for Sub LDI	0
L1_DATA16	[21:19]	Select the mode of output data format of i80-System I/F (Sub LDI.) (Only when, VIDOUT == 2'b11) 000 = 16-bit mode (16 bpp) 001 = 16 + 2 bit mode (18 bpp) 010 = 9 + 9 bit mode (18 bpp) 011 = 16 + 8 bit mode (24 bpp) 100 = 18-bit mode (18bpp)	000
L0_DATA16	[18:16]	Select the mode of output data format of i80-System I/F (Main LDI.) (Only when, VIDOUT == 2'b10) 000 = 16 bit mode (16 bpp) 001 = 16 + 2 bit mode (18 bpp) 010 = 9 + 9 bit mode (18 bpp) 011 = 16 + 8 bit mode (24 bpp) 100 = 18 bit mode (18bpp)	000
Reserved	[15]	Reserved	0
PNRMODE	[14:13]	Select the display mode. (Where, VIDOUT == 2'b00) 00 = RGB Parallel format (RGB) 01 = RGB Parallel format (BGR) 10 = Serial Format (R->G->B) 11 = Serial Format (B->G->R) Select the display mode. (Where, VIDOUT == 2'b1x) 00 = RGB Parallel format (RGB)	00

8.1.3 Video Main Control 0 Register (Continued)

VIDCON0	Bit	Description	Initial State
CLKVALUP	[12]	Select CLKVAL_F Update timing control 0 = Always 1 = Start of a frame (Only once per frame)	0
CLKVAL_F	[11:6]	Determine the rates of VCLK. $VCLK = (HCLK \text{ or } LCD \text{ video Clock}) / [CLKVAL+1]$ ($CLKVAL \geq 1$)	0
VCLKEN	[5]	VCLK Enable Control 0 = Disable 1 = Enable	0
CLKDIR	[4]	Select the clock source as direct or divide using CLKVAL_F register. 0 = Direct clock (frequency of VCLK = frequency of Clock source) 1 = Divided using CLKVAL_F	0
CLKSEL_F	[3:2]	Select the Video Clock source 00 = HCLK 01 = LCD video Clock (from SYSCON EPLL) 10 = Reserved 11 = Reserved	0
ENVID	[1:0]	Video output and the LCD logics enable/disable control. 00 = Disable video signals and logics <u>immediately</u> . 01 = Reserved. 10 = Disable video signals and logics <u>at the end of current frame</u> . 11 = Enable video output and logics. Note : If set to '10b' in the middle of displaying current frame, the value of ENVID is still '11b'. However, the LCD functions are disabled at the end of current frame and the value is changed to '10b'.	0

8.1.4 Video Main Control 1 Register

Register	Address	R/W	Description	Reset Value
VIDCON1	0x4C800004	R/W	Video control 2 register	0x0000_0000

VIDCON1	Bit	Description	Initial state
LINECNT (read only)	[26:16]	Provide the status of the line counter (read only) Up count from 0 to LINEVAL	0
Reserved	[15]	Reserved	0
VSTATUS	[14:13]	Vertical Status (read only). 00 = VSYNC 01 = BACK Porch 10 = ACTIVE 11 = FRONT Porch	0
HSTATUS	[12:11]	Horizontal Status (read only). 00 = HSYNC 01 = BACK Porch 10 = ACTIVE 11 = FRONT Porch	0
Reserved	[10:8]	Reserved	
IVCLK	[7]	This bit controls the polarity of the VCLK active edge. 0 = The video data is fetched at VCLK falling edge 1 = The video data is fetched at VCLK rising edge	0
IHSYNC	[6]	This bit indicates the HSYNC pulse polarity. 0 = normal(active high) 1 = inverted(active low)	0
IVSYNC	[5]	This bit indicates the VSYNC pulse polarity. 0 = normal(active high) 1 = inverted(active low)	0
IVDEN	[4]	This bit indicates the VDEN signal polarity. 0 = normal(active high) 1 = inverted(active low)	0
Reserved	[3:0]	Reserved	0x0

8.1.5 VIDEO Time Control 0 Register

Register	Address	R/W	Description	Reset Value
VIDTCON0	0x4C800008	R/W	Video time control 1 register	0x0000_0000

VIDTCON0	Bit	Description	Initial State
VBPD	[23:16]	Vertical back porch is the number of inactive lines at the start of a frame, after vertical synchronization period. (Period : VBPD +1)	0x00
VFPD	[15:8]	Vertical front porch is the number of inactive lines at the end of a frame, before vertical synchronization period. (Period : VFPD +1)	0x00
VSPW	[7:0]	Vertical sync pulse width determines the VSYNC pulse's level width by counting the number of inactive lines. (Period : VSPW +1)	0x00

8.1.6 Video Time Control 1 Register

Register	Address	R/W	Description	Reset Value
VIDTCON1	0x4C80000C	R/W	Video time control 2 register	0x0000_0000

VIDTCON1	Bit	Description	Initial state
HBPD	[23:16]	Horizontal back porch is the number of VCLK periods between the edge of HSYNC and the start of active data. (Period : HBPD +1) Note: Set 0x10 for i80-System Interface When the PNRMODE (VIDCON0 [14:13]) is set to serial format the period becomes 3 times of HBPD value. (If HBPD is set to '0' in serial mode, the period becomes 3-VLCK)	0000000
HFPD	[15:8]	Horizontal front porch is the number of VCLK periods between the end of active data and the edge of next HSYNC. (Period : HFPD +1) Note: When the PNRMODE(VIDCON0[14:13]) is set to serial format the period of HFPD becomes 3 times of VCLK (If HFPD is set to '0' in serial mode, the period becomes 3-VLCK)	0x00
HSPW	[7:0]	Horizontal sync pulse width determines the HSYNC pulse's level width by counting the number of the VCLK. (Period : HSPW +1) Note: When the PNRMODE(VIDCON0[14:13]) is set to serial format the period of HSPW becomes 3 times of VCLK (If HSPW is set to '0' in serial mode, the period becomes 3-VLCK)	0x00

8.1.7 VIDEO Time Control 2 Register

Register	Address	R/W	Description	Reset Value
VIDTCON2	0x4C800010	R/W	Video time control 3 register	0x0000_0000

VIDTCON2	Bit	Description	Initial state
LINEVAL	[21:11]	These bits determine the vertical size of display	0
HOZVAL	[10:0]	These bits determine the horizontal size of display	0

8.1.8 Window 0 Control Register

Register	Address	R/W	Description	Reset Value
WINCON0	0x4C800014	R/W	Window 0 control register	0x0000_0000

WINCON0	Bit	Description	Initial State
BUFSTATUS	[24]	Status of Current display Buffer (Read only) 0 = buffer0 display 1 = buffer1 display Note: RGB I/F does not support auto-change mode. Only i80-Sytem I/F supports auto-change mode.	0
BUFSEL	[23]	Select Buffer selection control 0 = buffer0 select 1 = buffer1 select	0
BUFAUTOEN	[22]	Double Buffer Auto-change control bit 0 = Fixed by BUFSEL 1 = Auto changed by SWTRIG (in CPUTRIGCON2 register) Note: RGB I/F does not support auto-change mode. Only i80-Sytem I/F supports auto-change mode.	0
BITSWP	[18]	Bit swap control bit. 0 = Swap Disable 1 = Swap Enable	0
BYTSWP	[17]	Byte swaps control bit. 0 = Swap Disable 1 = Swap Enable	0
HAWSWP	[16]	Half-Word swap control bit. 0 = Swap Disable 1 = Swap Enable	0
Reserved	[15:11]	Reserved	0
BURSTLEN	[10:9]	DMA's Burst Length selection: 00 = 16 word- burst 01 = 8 word- burst 10 = 4 word- burst 11 = Reserved	0
Reserved	[8:6]	Reserved	0
BPPMODE_F	[5:2]	Select the BPP (Bits Per Pixel) mode Window image. 0000 = 1bpp (palletized) 0001 = 2bpp (palletized) 0010 = 4bpp (palletized) 0011 = 8bpp (palletized) 0100 = Reserved 0101 = 16bpp (non-palletized, R: 5-G:6-B:5) 0110 = Reserved 0111 = 16 bpp (non-palletized, I :1-R:5-G:5-B:5) 1000 = Unpacked 18bpp (non-palletized, R:6-G:6-B:6) 1001 = Reserved 1010 = Reserved 1011 = Unpacked 24bpp (non-palletized R:8-G:8-B:8) 11xx = Reserved	0
Reserved	[1]	Reserved	0
ENWIN_F	[0]	Window0 on/ off control 0 = Off window0. 1 = On window0.	0

8.1.9 Window 1 Control Register

Register	Address	R/W	Description	Reset Value
WINCON1	0x4C800018	R/W	Window control 1 register	0x0000_0000

WINCON1	Bit	Description	Initial State
BITSWP	[18]	Bit swap control 0 = Swap Disable 1 = Swap Enable	0
BYTSWP	[17]	Byte swaps control 0 = Swap Disable 1 = Swap Enable	0
HAWSWP	[16]	Half-Word swap control 0 = Swap Disable 1 = Swap Enable	0
–	[15:11]	Reserved	0
BURSTLEN	[10:9]	DMA's Burst Length selection : 00 = 16 word– burst 01 = 8 word– burst 10 = 4 word– burst 11 = Reserved	0
Reserved	[8:7]	Reserved	0
BLD_PIX	[6]	Select blending category 0 = Per plane blending 1 = Per pixel blending	0
BPPMODE_F	[5:2]	Select the BPP (Bits Per Pixel) mode Window image. 0000 = 1bpp (palletized) 0001 = 2bpp (palletized) 0010 = 4bpp (palletized) 0011 = 8bpp (palletized) 0100 = 8bpp (non-palletized, A: 1-R:2-G:3-B:2) 0101 = 16bpp (non-palletized, R:5-G:6-B:5) 0110 = 16bpp (non-palletized, A:1-R:5-G:5-B:5) 0111 = 16bpp (non-palletized, I :1-R:5-G:5-B:5) 1000 = Unpacked 18bpp (non-palletized, R:6-G:6-B:6) 1001 = Unpacked 18bpp (non-palletized, A:1-R:6-G:6-B:5) 1010 = Unpacked 19bpp (non-palletized, A:1-R:6-G:6-B:6) 1011 = Unpacked 24bpp (non-palletized, R:8-G:8-B:8) 1100 = Unpacked 24bpp (non-palletized, A:1-R:8-G:8-B:7) 1101 = Unpacked 25bpp (non-palletized, A:1-R:8-G:8-B:8) or Unpacked 28bpp (non-palletized, A:4-R:8-G:8-B:8) 111x = Reserved Note: 1101 = support 28bpp (non-palletized A:4-R:8-G:8-B:8) for per pixel blending.	0
ALPHA_SEL	[1]	Alpha value selection Per plane blending case(BLD_PIX ==0) 0 = using ALPHA0_R/G/B values 1 = using ALPHA1_R/G/B values	0

WINCON1	Bit	Description	Initial State											
		Per pixel blending case(BLD_PIX ==1) 0 = selected by AEN bit in frame buffer for each pixel or Key area <table border="1" style="margin-left: 20px;"> <tr> <td rowspan="4">KEYBLEND (W1KEYCON0[26])</td> <td rowspan="2">0</td> <td>AEN = 0</td> <td>ALPHA0_R/G/B</td> </tr> <tr> <td>AEN = 1</td> <td>ALPHA1_R/G/B</td> </tr> <tr> <td rowspan="2">1</td> <td>Non-Key area</td> <td>ALPHA0_R/G/B</td> </tr> <tr> <td>Key area</td> <td>ALPHA1_R/G/B</td> </tr> </table> 1 = using DATA[27:24] in frame buffer, only for 28bpp mode	KEYBLEND (W1KEYCON0[26])	0	AEN = 0	ALPHA0_R/G/B	AEN = 1	ALPHA1_R/G/B	1	Non-Key area	ALPHA0_R/G/B	Key area	ALPHA1_R/G/B	
KEYBLEND (W1KEYCON0[26])	0	AEN = 0			ALPHA0_R/G/B									
		AEN = 1		ALPHA1_R/G/B										
	1	Non-Key area		ALPHA0_R/G/B										
		Key area	ALPHA1_R/G/B											
ENWIN_F	[0]	Window1 on/ off control 0 = Off window1 1 = On window1	0											

8.1.10 Window 0 Position Control A Register

Register	Address	R/W	Description	Reset Value
VIDOSD0A	0x4C800028	R/W	Video Window 0's position control register	0x0000_0000

VIDOSD0A	Bit	Description	Initial State
OSD_LeftTopX_F	[21:11]	Horizontal screen coordinate for left top pixel of OSD image	0
OSD_LeftTopY_F	[10:0]	Vertical screen coordinate for left top pixel of OSD image	0

8.1.11 Window 0 Position Control B Register

Register	Address	R/W	Description	Reset Value
VIDOSD0B	0x4C80002C	R/W	Video Window 0's position control register	0x0000_0000

VIDOSD0B	Bit	Description	Initial State
OSD_RightBotX_F	[21:11]	Horizontal screen coordinate for right bottom pixel of OSD image	0
OSD_RightBotY_F	[10:0]	Vertical screen coordinate for right bottom pixel of OSD image	0

NOTE: Registers must have word boundary X position.
 So, 24bpp mode should have X position by 1 pixel. (ex, X = 0,1,2,3....)
 16bpp mode should have X position by 2 pixel. (ex, X = 0,2,4,6....)
 8bpp mode should have X position by 4 pixel. (ex, X = 0,4,8,12....)

8.1.12 Window 1 Position Control A Register

Register	Address	R/W	Description	Reset Value
VIDOSD1A	0x4C800034	R/W	Video Window 1's position control 2 register	0x0000_0000

VIDOSD1A	Bit	Description	initial state
OSD_LeftTopX_F	[21:11]	Horizontal screen coordinate for left top pixel of OSD image	0
OSD_LeftTopY_F	[10:0]	Vertical screen coordinate for left top pixel of OSD image	0

8.1.13 Window 1 Position Control B Register

Register	Address	R/W	Description	Reset Value
VIDOSD1B	0x4C800038	R/W	Video Window 1's position control register	0x0000_0000

VIDOSD1B	Bit	Description	Initial state
OSD_RightBotX_F	[21:11]	Horizontal screen coordinate for right bottom pixel of OSD image	0
OSD_RightBotY_F	[10:0]	Vertical screen coordinate for right bottom pixel of OSD image	0

NOTE: Registers must have word boundary X position.

So, 24bpp mode should have X position by 1 pixel. (ex, X = 0,1,2,3....)

16bpp mode should have X position by 2 pixel. (ex, X = 0,2,4,6....)

8bpp mode should have X position by 4 pixel. (ex, X = 0,4,8,12....)

8.1.14 Window 1 Alpha Value Register

Register	Address	R/W	Description	Reset Value
VIDOSD1C	0x4C80003C	R/W	Video Window 1's alpha value register	0x0000_0000

ALPHAVAL	Bit	Description	Initial state
Reserved	[31:24]	Reserved	0
ALPHA0_R	[23:20]	Red Alpha0 value	0
ALPHA0_G	[19:16]	Green Alpha0 value	0
ALPHA0_B	[15:12]	Blue Alpha0 value	0
ALPHA1_R	[11:8]	Red Alpha1 value	0
ALPHA1_G	[7:4]	Green Alpha1 value	0
ALPHA1_B	[3:0]	Blue Alpha1 value	0

8.1.15 FRAME Buffer Address 0 Register

Register	Address	R/W	Description	Reset Value
VIDW00ADD0B0	0x4C800064	R/W	Window 0's buffer start address register, buffer 0	0x0000_0000
VIDW00ADD0B1	0x4C800068	R/W	Window 0's buffer start address register, buffer 1	0x0000_0000
VIDW01ADD0	0x4C80006C	R/W	Window 1's buffer start address register	0x0000_0000

VIDWxxADD0	Bit	Description	Initial State
VBANK_F	[31:24]	These bits indicate A[31:24] of the bank location for the video buffer in the system memory.	0x0
VBASEU_F	[23:0]	These bits indicate A[23:0] of the start address of the Video frame buffer.	0x0

8.1.16 FRAME Buffer Address 1 Register

Register	Address	R/W	Description	Reset Value
VIDW00ADD1B0	0x4C80007C	R/W	Window 0's buffer end address register, buffer 0	0x0000_0000
VIDW00ADD1B1	0x4C800080	R/W	Window 0's buffer end address register, buffer 1	0x0000_0000
VIDW01ADD1	0x4C800084	R/W	Window 1's buffer end address register	0x0000_0000

VIDWxxADD1	Bit	Description	Initial State
VBASEL_F	[23:0]	These bits indicate A[23:0] of the end address of the Video frame buffer. VBASEL = VBASEU + (PAGEWIDTH+OFFSIZE) x (LINEVAL+1)	0x0

8.1.17 FRAME Buffer Address 2 Register(Virtual screen)

Register	Address	R/W	Description	Reset Value
VIDW00ADD2B0	0x4C800094	R/W	Window 0's buffer size register, buffer 0	0x0000_0000
VIDW00ADD2B1	0x4C800098	R/W	Window 0's buffer size register, buffer 1	0x0000_0000
VIDW01ADD2	0x4C80009C	R/W	Window 1's buffer size register	0x0000_0000

VIDWxxADD2	Bit	Description	Initial State
OFFSIZE_F	[25:13]	Virtual screen offset size (the number of byte) This value defines the difference between the address of the last byte displayed on the previous Video line and the address of the first byte to be displayed in the new Video line. OFFSIZE_F must have value more than burst size value or 0.	0
PAGEWIDTH_F	[12:0]	Virtual screen page width (the number of byte) This value defines the width of the view port in the frame. PAGEWIDTH must have the value, which is multiple of the burst size.	0

8.1.18 VIDEO Interrupt Control Register

Register	Address	R/W	Description	Reset Value
VIDINTCON	0x4C8000AC	R/W	Indicate the Video interrupt control register	0x3F0000

VIDINTCON	Bit	Description	Initial state
FIFOINTERVAL	[25:20]	These bits control the interval of the FIFO interrupt.	0x3F
SYSMAINCON	[19]	Sending complete interrupt enable bit to Main LCD 0 = Interrupt Disable. 1 = Interrupt Enable.	0
SYSSUBCON	[18]	Sending complete interrupt enable bit to Sub LCD 0 = Interrupt Disable. 1 = Interrupt Enable.	0
SYSIFDONE	[17]	i80-System Interface Interrupt Enable control (only for i80-System Interface mode). 0 = Interrupt Disable. 1 = Interrupt Enable.	0
FRAMESEL0	[16:15]	Video Frame Interrupt 0 (SUBINT_LCD3) at start of : 00 = BACK Porch 01 = VSYNC 10 = ACTIVE 11 = FRONT Porch	0
FRAMESEL1	[14:13]	Video Frame Interrupt 1 (SUBINT_LCD3) at start of : 00 = None 01 = BACK Porch 10 = VSYNC 11 = FRONT Porch	0
INTFRMEN	[12]	Video Frame interrupts (SUBINT_LCD3) Enable control bit. 0 = Video Frame Interrupt Disable 1 = Video Frame Interrupt Enable	0
FIFOSEL	[11:5]	FIFO Interrupt control bit, each bit has the meaning of [11:7] Reserved [6] Window 1 control (0: disable, 1: enable) [5] Window 0 control (0: disable, 1: enable)	0
FIFOLEVEL	[4:2]	Video FIFO Interrupt (SUBINT_LCD2) Level Select 000 = 25% left 001 = 50% left 010 = 75% left 011 = empty 100 = full	0
INTFIFOEN	[1]	LCD FIFO interrupt (SUBINT_LCD2) Enable control bit. 0 = LCD FIFO Level Interrupt Disable 1 = LCD FIFO Level Interrupt Enable	0
INTEN	[0]	LCD interrupt (INT_LCD) Enable control bit. 0 = LCD Interrupt Disable 1 = LCD Interrupt Enable	0

NOTE: Frame interrupt (SUBINT_LCD3) has two interrupt sources, which are Frame interrupt0 and 1. For example, if FRAMESEL0 is '00b' and FRAMESEL1 is '00b', then Frame interrupt (SUBINT_LCD3) is asserted at the start of RGB_VSYNC. If FRAMESEL0 is '00b' and FRAMESEL1 is '01b', then Frame interrupt (SUBINT_LCD3) is asserted twice at the start of RGB_VSYNC and BACK porch.

8.1.19 Win1 Color Key 0 Register

Register	Address	R/W	Description	Reset Value
W1KEYCON0	0x4C8000B0	R/W	Color key control register	0x0000_0000

W1KEYCON0	Bit	Description	Initial state
KEYBLEN	[26]	Alpha value control for Key area or Non-Key area 0 = Alpha value selected by AEN bit in frame buffer 1 = Alpha value selected by below area Non-Key area : ALPHA0_R/G/B Key area : ALPHA1_R/G/B Note: This bit is meaningful when BLD_PIX is 1 and ALPHA_SEL is 0.	0
KEYEN_F	[25]	Color Key (Chroma key) Enable control 0 = Color key disable 1 = Color key enable	0
DIRCON	[24]	Color key (Chroma key) direction control 0 = If the pixel value match fore-ground image with COLVAL, pixel from back-ground image is displayed (only in OSD area) 1 = If the pixel value match back-ground with COLVAL, pixel from fore-ground image is displayed (only in OSD area)	0
COMPKEY	[23:0]	Each bit is correspond to the COLVAL[23:0]. If some position bit is set then that position bit of COLVAL will be disabled.	0

8.1.20 WIN 1 Color key 1 Register

Register	Address	R/W	Description	Reset Value
W1KEYCON1	0x4C8000B4	R/W	Color key value (transparent value) register	0x0000_0000

W1KEYCON1	Bit	Description	Initial state
COLVAL	[23:0]	Color key value for the transparent pixel effect	0

NOTE:

COLVAL and COMPKEY use 24-bit color data at all bpp mode. Unused higher bits should be '1b'.

@ BPP24 mode: 24-bit color value is valid.

A. COLVAL

- Red: COLVAL [23:16]
- Green: COLVAL [15: 8]
- Blue: COLVAL [7:0]

B. COMPKEY

- Red: COMPKEY [23:16]
- Green: COMPKEY [15: 8]
- Blue: COMPKEY [7:0]

@ BPP16 (5:6:5) mode: 16 bit color value is valid

A. COLVAL

- Red: COLVAL [23:19]
- Green: COLVAL [15: 10]
- Blue: COLVAL [7:3]

B. COMPKEY

- Red: COMPKEY [23: 19]
- Green: COMPKEY [15: 10]
- Blue: COMPKEY [7: 3]
- COMPKEY [18:16] must be '0x7'.
- COMPKEY [9: 8] must be '0x3'.
- COMPKEY [2:0] must be '0x7'.

8.1.21 WIN0 Color MAP

Register	Address	R/W	Description	Reset Value
WIN0MAP	0x4C8000D0	R/W	Window color control	0x0000_0000

WIN0MAP	Bit	Description	Initial state
MAPCOLEN_F	[24]	Window's color mapping control bit. If this bit is enabled then Video DMA will stop, and MAPCOLOR will be appear on back-ground image instead of original image. 0 = disable 1 = enable	0
MAPCOLOR	[23:0]	Color Value	0

8.1.22 WIN1 Color MAP

Register	Address	R/W	Description	Reset Value
WIN1MAP	0x4C8000D4	R/W	Window color control	0x0000_0000

WIN1MAP	Bit	Description	Initial state
MAPCOLEN_F	[24]	Window's color mapping control bit. If this bit is enabled then Video DMA will stop, and MAPCOLOR will be appear on background image instead of original image. 0 = disable 1 = enable	0
MAPCOLOR	[23:0]	Color Value	0

8.1.23 Window Palette control Register

Register	Address	R/W	Description	Reset Value
WPALCON	0x4C8000E4	R/W	Window Palette control register	0x0000_0000

WPALCON	Bit	Description	Initial state
PALUPDATEEN	[9]	Palette memory access-right control bit. Users should set this bit before access (write or read) palette memory, in this case LCD controller cannot access palette. After update, users should clear this bit for operation of palletized LCD. 0: Normal Mode (LCD controller access) 1: Enable (ARM access)	0
W1PAL	[5:3]	This bit determines the size of the palette data format of Window 1 000 = 25-bit (A:8:8:8) 001 = 24-bit (8:8:8) 010 = 19-bit (A:6:6:6) 011 = 18-bit (A:6:6:5) 100 = 18-bit (6:6:6) 101 = 16-bit (A:5:5:5) 110 = 16-bit (5:6:5)	0
W0PAL	[2:0]	This bit determines the size of the palette data format of Window 0 000 = 25-bit (A:8:8:8) 001 = 24-bit (8:8:8) 010 = 19-bit (A:6:6:6) 011 = 18-bit (A:6:6:5) 100 = 18-bit (6:6:6) 101 = 16-bit (A:5:5:5) 110 = 16-bit (5:6:5)	0

8.1.24 Main LCD i80-System Interface control

Register	Address	R/W	Description	Reset Value
SYSIFCON0	0x4C800130	R/W	i80-System Interface control for Main LDI(LCD)	0x0000_0000
SYSIFCON1	0x4C800134	R/W	i80-System Interface control for Sub LDI(LCD)	0x0000_0000

SYSIFCONx	Bit	Description	Initial State
Reserved	[23:20]	Reserved	0
LCD_CS_SETUP	[19:16]	Numbers of clock cycles for the active period of the address signal enable to the chip select enable.	0
LCD_WR_SETUP	[15:12]	Numbers of clock cycles for the active period of the CS signal enable to the write signal enable.	0
LCD_WR_ACT	[11:8]	Numbers of clock cycles for the active period of the chip select enable.	0
LCD_WR_HOLD	[7:4]	Numbers of clock cycles for the active period of the chip select disable to the write signal disable.	0
Reserved	[3]	Reserved	0
RSPOL	[2]	The polarity of the RS Signal 0 = Low 1 = High * Set to 1 for normal access.	0
SUCCEUP	[1]	1 = triggered mode(Should be 1)	0
SYSIFEN	[0]	LCD i80-System Interface control 0 = Disable 1 = Enable	0

8.1.25 Dithering Control 1 Register

Register	Address	R/W	Description	Reset Value
DITHMODE	0x4C800138	R/W	Dithering mode register	0x0000_0000

DITHMODE	Bit	Description	Initial state
Reserved	[30:7]	Not used for normal access (Write not-zero values to these register make to come out abnormal result)	0
RDithPos	[6:5]	Red Dither bit control 00 = 5-bit 01 = 6-bit 10 = 8-bit	0
GDithPos	[4:3]	Green Dither bit control 00 = 5-bit 01 = 6-bit 10 = 8-bit	0
BDithPos	[2:1]	Blue Dither bit control 00 = 5-bit 01 = 6-bit 10 = 8-bit	0
DITHEN_F	[0]	Dithering Enable bit 0 = dithering disable 1 = dithering enable	0

8.1.26 i80-System Interface Command Control 0

Register	Address	R/W	Description	Reset Value
SIFCCON0	0x4C80013C	R/W	i80-System Interface Command Control	0x0000_0000

SIFCCON0	Bit	Description	Initial State
Reserved	[11:10]	Reserved	0
SYS_CS1_CON	[9]	LCD i80-System Interface SYS_CS1 (sub) Signal control 0 = Disable (High) 1 = Enable (Low)	0
SYS_CS0_CON	[8]	LCD i80-System Interface SYS_CS0 (main) Signal control 0 = Disable (High) 1 = Enable (Low)	0
SYS_OE_CON	[7]	LCD i80-System Interface SYS_OE Signal control 0 = Disable (High) 1 = Enable (Low)	0
SYS_WR_CON	[6]	LCD i80-System Interface SYS_WR Signal control 0 = Disable (High) 1 = Enable (Low)	0
Reserved	[5:2]	Reserved (Should be set be "0")	0
SYS_RS_CON	[1]	LCD i80-System Interface SYS_RS Signal control 0 = Low 1 = High	0
SCOMEN	[0]	LCD i80-System Interface Command Mode Enable 0 = Disable 1 = Enable	

8.1.27 i80-System Interface Command Control 1

Register	Address	R/W	Description	Reset Value
SIFCCON1	0x4C800140	R/W	i80-System Interface Command Data Write register	0x0000_0000

SIFCCON1	Bit	Description	Initial State
Reserved	[23:18]	Reserved	0
SYS_WDATA	[17:0]	LCD i80-System Interface Write Data	0

8.1.28 i80-System Interface Command Control 2

Register	Address	R	Description	Reset Value
SIFCCON2	0x4C800144	R	i80-System Interface Command Data Read register	0x0000_0000

SIFCCON2	Bit	Description	Initial State
Reserved	[23:18]	Reserved	0
SYS_RDATA	[17:0]	LCD i80-System Interface Read Data	0

8.1.29 i80-System I/F TRIGGER CONTROL 2 Register

Register	Address	R/W	Description	Reset Value
CPUTRIGCON2	0x4C800160	R/W	Software-Based Trigger control register	0x0000_0000

CPUTRIGCON2	Bit	Description	Initial State
SWTRIG	[0]	Software-Based Transmission Trigger When this bit is set, trigger happens. This bit is automatically cleared. Trigger function is valid only when the LCD is enabled state. (ENVID='11b')	0

8.1.30 WIN0 Palette RAM Access Address

Register	Address	R/W	Description	Reset Value
WIN0_PAENTRY0	0x4C800400	R/W	Window 0 Palette entry 0 address	Undefined
WIN0_PAENTRY1	0x4C800404	R/W	Window 0 Palette entry 1 address	Undefined
~	~	~	~	~
WIN0_PAENTRY255	0x4C8007FC	R/W	Window 0 Palette entry 255 address	Undefined

8.1.31 WIN1 Palette RAM Access Address

Register	Address	R/W	Description	Reset Value
WIN1_PAENTRY0	0x4C800800	R/W	Window 1 Palette entry 0 address	Undefined
WIN1_PAENTRY1	0x4C800804	R/W	Window 1 Palette entry 1 address	Undefined
~	~	~	~	~
WIN1_PAENTRY255	0x4C800BFC	R/W	Window 1 Palette entry 255 -address	Undefined

22

ADC & TOUCH SCREEN INTERFACE

1 OVERVIEW

The 12-bit CMOS ADC (Analog to Digital Converter) is a recycling type device with 10-channel analog inputs. It converts the analog input signal into 12-bit binary digital codes at a maximum conversion rate of 1MSPS with 5MHz A/D converter clock. A/D converter operates with on-chip sample-and-hold function and power down (standby) mode is supported.

Touch screen interface can controls input pads (XP, XM, YP and YM) to obtain X/Y-positions on the external touch screen device. Touch Screen Interface contains three main blocks; these are touch screen pads control logic, ADC interface logic and interrupt generation logic.

1.1 FEATURES

- Resolution: 10-bit / 12-bit (controllable)
- Differential Linearity Error: ± 2.0 LSB
- Integral Linearity Error: ± 4.0 LSB
- Maximum Conversion Rate: 1 MSPS
- Low Power Consumption
- Power Supply Voltage: 3.3V
- Reference Voltage (VREF): 3.3V
- On-chip Sample-and-hold Function
- Normal Conversion Mode
- Separate X/Y position conversion Mode
- Auto (Sequential) X/Y Position Conversion Mode
- Waiting for Interrupt Mode

2 ADC & TOUCH SCREEN INTERFACE OPERATION

2.1 BLOCK DIAGRAM

Figure 22-1 shows the functional block diagram of A/D converter and touch screen interface. Note that the A/D converter device is a recycling type.

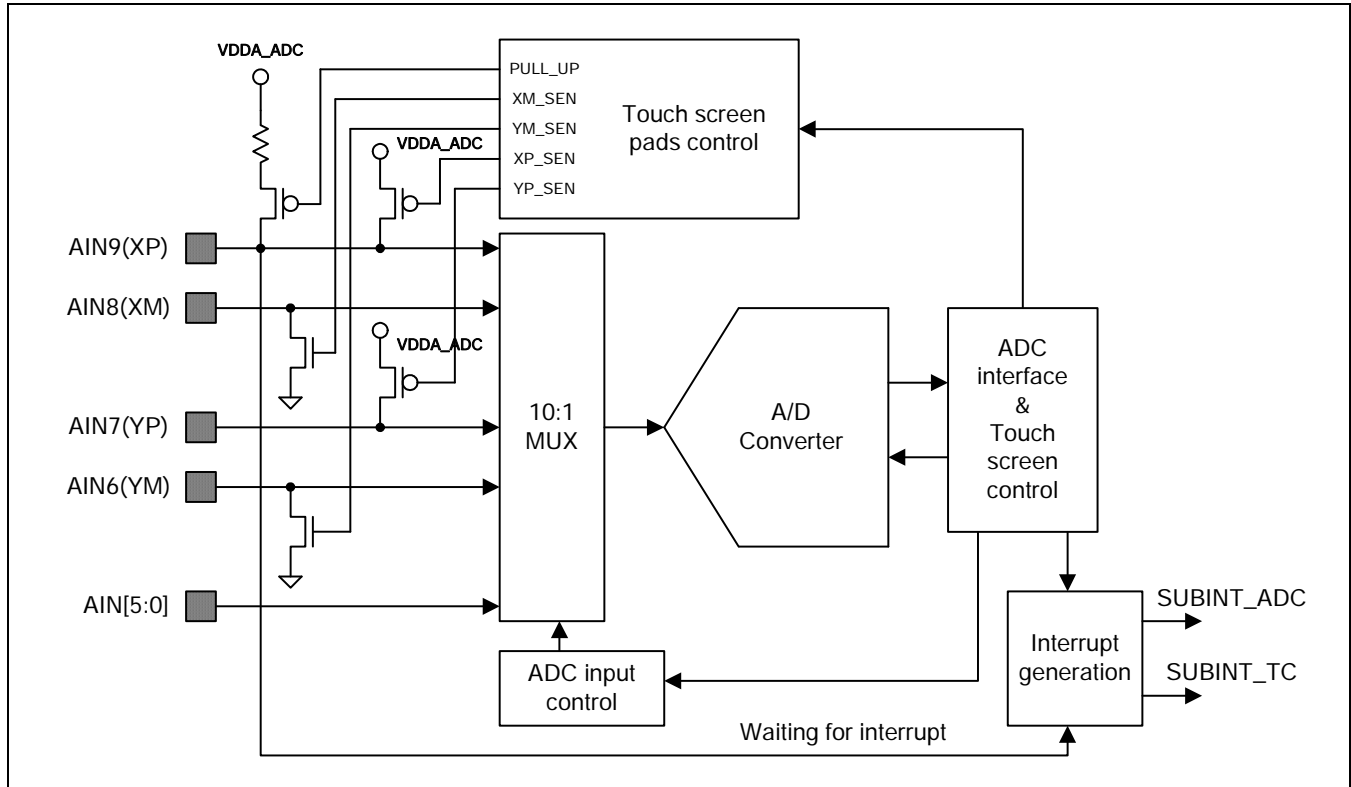


Figure 22-1. ADC and Touch Screen Interface Block Diagram

2.2 FUNCTION DESCRIPTIONS

2.2.1 A/D Conversion Time

When the PCLK frequency is 50 MHz, the prescaler value is 49 and total 10-bit and 12-bit conversion time is given:

$$\text{A/D converter freq.} = 50 \text{ MHz} / (49 + 1) = 1 \text{ MHz}$$

$$\text{Conversion time} = 1 / (1 \text{ MHz} / (5 \text{ cycles})) = 1 / 200 \text{ KHz} = 5 \text{ us}$$

NOTE

This A/D converter is designed to operate at maximum 5 MHz clock, so the conversion rate can go up to 1MSPS.

2.2.2 Touch Screen Interface Modes (AIN6 ~ AIN9)

1. Normal conversion mode (AUTO_PST = 0, XY_PST = 0)

The operation of this mode is identical with AIN0~AIN5's. It can be initialized by setting the ADC Control Register (ADCCON) and ADC touch screen control register (ADCTSC). All of the switches and pull-up resistor should be turned off (reset value 0x58 makes switches turn-off). The converted data can be read out from ADC conversion data 0 register (ADCDAT0).

2. Separate X/Y position conversion mode (AUTO_PST = 0, XY_PST : contorl)

This mode consists of two states; one is X-position measurement state and the other is Y-position measurement state.

X-position measurement state is operated as the following way; set XY_PST is '1' and read out the converted data (X-position) from ADCDAT0. The end of X-position conversion can be notified by interrupt (INT_ADC).

Y-position measurement state is operated as the following way; set XY_PST is '2' and read out the converted data (Y-position) from ADCDAT1. The end of Y-position conversion can be notified by interrupt (INT_ADC).

State	XP	XM	YP	YM
X-position measurement	VDDA_ADC	VSSA_ADC	AIN7	Hi-z
Y-position measurement	AIN9	Hi-z	VDDA_ADC	VSSA_ADC

3. Auto(Sequential) X/Y position conversion mode (AUTO_PST = 1, XY_PST = 0)

Auto (sequential) X/Y position conversion mode is operated as the following. Touch screen controller sequentially converts X-position and Y-position that is touched. After touch screen controller converts X-position data to ADCDAT0 and then converts Y-position data to ADCDAT1, Touch screen interface generates interrupt (INT_ADC). The measurement states are automatically changed.

4. Waiting for interrupt mode (ADCTSC = 0xd3)

Touch screen controller generates interrupt (INT_TC) signal when the stylus is down. The value of ADC touch screen control register (ADCTSC) is '0xd3'; PULL_UP is '0', XP_SEN is '1', XM_SEN is '0', YP_SEN is '1' and YM_SEN is '1'. Touch interrupt can be generated when stylus pen is down or up.

After touch screen controller generates interrupt signal (INT_TC), waiting for interrupt mode must be cleared. (XY_PST sets to the No operation Mode)

Mode	XP	XM	YP	YM
Waiting for Interrupt Mode	VDDA_ADC(Pull-up enable)	Hi-z	Hi-z	VSSA_ADC

2.2.3 Standby Mode

Standby mode is activated when ADCCON [2] is set to '1'. In this mode, A/D conversion operation is halted and ADCDAT0, ADCDAT1 register contains the previous converted data.

2.2.4 Programming Notes

1. The A/D converted data can be accessed by means of interrupt or polling method. With interrupt method, the overall conversion time - from A/D converter start to converted data read - may be delayed because of the return time of interrupt service routine and data access time. With polling method, by checking the ADCCON[15] - end of conversion flag-bit, the read time from ADCDAT register can be determined.
2. A/D conversion can be activated in different way: After ADCCON[1] - A/D conversion start-by-read mode-is set to 1, A/D conversion starts simultaneously whenever converted data is read.

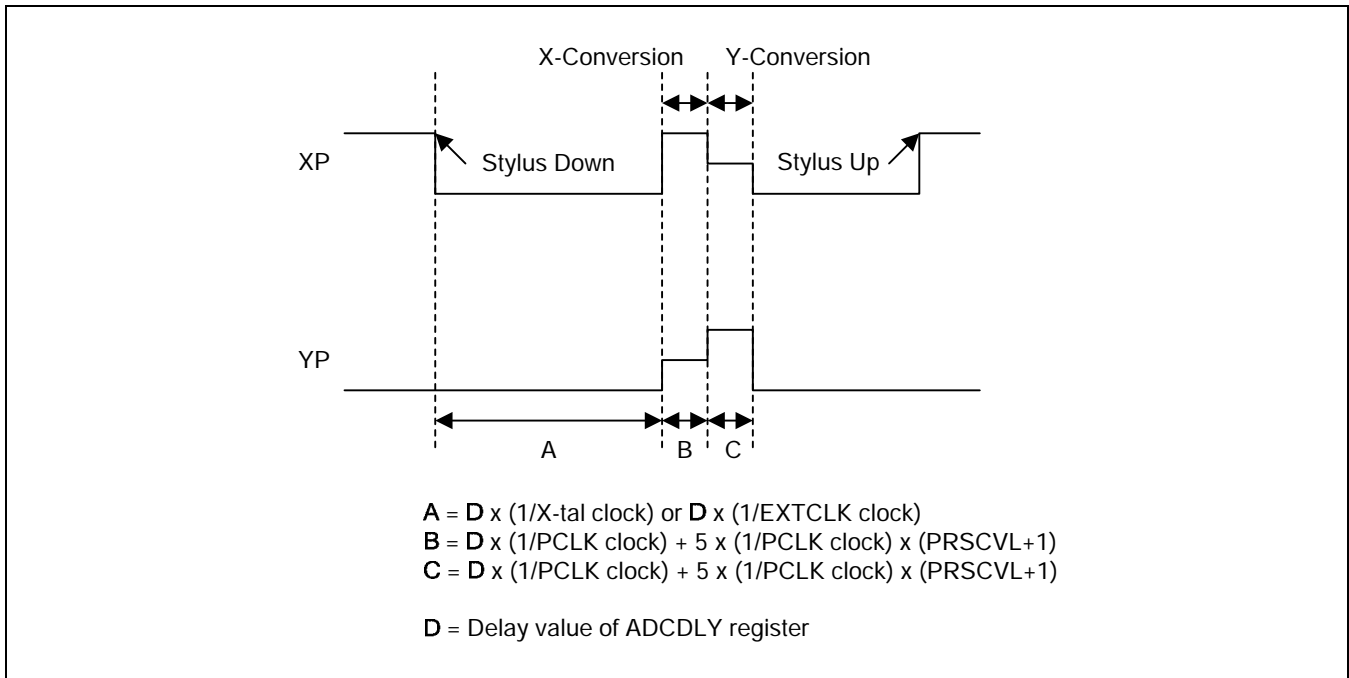


Figure 22-2. Timing Diagram in Auto (Sequential) X/Y Position Conversion Mode

3 ADC AND TOUCH SCREEN INTERFACE SPECIAL REGISTERS

3.1 ADC CONTROL (ADCCON) REGISTER

Register	Address	R/W	Description	Reset Value
ADCCON	0x58000000	R/W	ADC control register	0x3FC4

ADCCON	Bit	Description	Initial State
ECFLG	[15]	End of conversion flag (read only). 0 = A/D conversion in process 1 = End of A/D conversion	0
PRSCEN	[14]	A/D converter prescaler enable. 0 = Disable 1 = Enable	0
PRSCVL	[13:6]	A/D converter prescaler value. Data value: 5 ~ 255 Note that division factor is (N+1) when the prescaler value is N. Note: ADC frequency should be set less than PCLK by 5 times. (Ex. PCLK = 10MHz, ADC Frequency < 2MHz)	0xFF
Reserved	[5:4]	Reserved	0
RESSEL	[3]	A/D converter resolution selection 0 = 10-bit resolution 1 = 12-bit resolution	0
STDBM	[2]	Standby mode select. 0 = Normal operation mode 1 = Standby mode	1
READ_START	[1]	A/D conversion starts by read. 0 = Disable start by read operation 1 = Enable start by read operation	0
ENABLE_START	[0]	A/D conversion starts by setting this bit. If READ_START is enabled, this value is not valid. 0 = No operation 1 = A/D conversion starts and this bit is cleared after the start-up.	0

3.2 ADC TOUCH SCREEN CONTROL (ADCTSC) REGISTER

Register	Address	R/W	Description	Reset Value
ADCTSC	0x58000004	R/W	ADC touch screen control register	0x058

ADCTSC	Bit	Description	Initial State
UD_SEN	[8]	Select interrupt source Stylus Up or Down 0 = Detect Stylus Down Signal. 1 = Detect Stylus Up Signal.	0
YM_SEN	[7]	YM to GND Switch Enable 0 = Switch disable.(YM = AIN6, Hi-z) 1 = Switch enable.(YM = VSSA_ADC)	0
YP_SEN	[6]	YP to VDD Switch Enable 0 = Switch enable.(YP = VDDA_ADC) 1 = Switch disable.(YP = AIN7, Hi-z)	1
XM_SEN	[5]	XM to GND Switch Enable 0 = Switch disable.(XM = AIN8, Hi-z) 1 = Switch enable.(XM = VSSA_ADC)	0
XP_SEN	[4]	XP to VDD Switch Enable 0 = Switch enable.(XP = VDDA_ADC) 1 = Switch disable.(XP = AIN9, Hi-z)	1
PULL_UP	[3]	XP Pull-up Switch Enable 0 = XP pull-up enable. 1 = XP pull-up disable.	1
AUTO_PST	[2]	Automatically sequencing conversion of X-Position and Y-Position 0 = Normal ADC conversion. 1 = Auto measurement of X-position, Y-position.	0
XY_PST	[1:0]	Manually measurement of X-Position or Y-Position. 00 = No operation mode 01 = X-position measurement 10 = Y-position measurement 11 = Waiting for Interrupt Mode	0

NOTES:

1. While waiting for Touch screen Interrupt, XP_SEN bit should be set to '1'(XP Output disable) and PULL_UP bit should be set to '0'(XP Pull-up enable).
2. AUTO_PST bit should be set '1' only in Automatic (Sequential) X/Y Position conversion.
3. PULL_UP switche should be eabled during stop/sleep mode to avoid leakage current.

3.3 ADC START DELAY (ADCDLY) REGISTER

Register	Address	R/W	Description	Reset Value
ADCDLY	0x58000008	R/W	ADC start or interval delay register	0x00ff

ADCDLY	Bit	Description	Initial State
DELAY	[15:0]	<p>In case of ADC conversion mode (Normal, Separate, Auto conversion); ADC conversion is delayed by counting this value. Counting clock is PCLK.</p> <p>In case of waiting for interrupt mode; When stylus down occurs in waiting for interrupt mode, counts this value and then generates Interrupt signal (INT_TC) for filtering noise. Counting clock is external input clock (X-tal or EXTCLK).</p> <p>Note: Do not use zero value (0x0000)</p>	0x00ff

3.4 ADC CONVERSION DATA (ADCDAT0) REGISTER

Register	Address	R/W	Description	Reset Value
ADCDAT0	0x5800000C	R	ADC conversion data register	-

ADCDAT0	Bit	Description	Initial State
UPDOWN	[15]	Up or down state of Stylus at Waiting for Interrupt Mode. 0 = Stylus down state 1 = Stylus up state	-
AUTO_PST	[14]	Automatic sequencing conversion of X-position and Y-position. (mirroring AUTO_PST in ADCTSC register) 0 = Normal ADC conversion 1 = Auto measurement of X-position, Y-position	-
XY_PST	[13:12]	Manual measurement of X-position or Y-position. (mirroring XY_PST in ADCTSC register) 00 = No operation mode 01 = X-position measurement 10 = Y-position measurement 11 = Waiting for Interrupt Mode	-
XPDATA_12 (Normal ADC)	[11:10]	When A/D resolution is 12bit, X-position conversion MSB 2-bit data value (include Normal ADC conversion data) Data value(data [11:10]) = 0 ~ 0xFFF	-
XPDATA (Normal ADC)	[9:0]	X-position conversion data value. (include Normal ADC conversion data value) Data value(data [9:0]) = 0 ~ 0x3FF	-

3.5 ADC CONVERSION DATA (ADCDAT1) REGISTER

Register	Address	R/W	Description	Reset Value
ADCDAT1	0x58000010	R	ADC conversion data register	-

ADCDAT1	Bit	Description	Initial State
UPDOWN	[15]	Up or down state of Stylus at Waiting for Interrupt Mode. 0 = Stylus down state 1 = Stylus up state	-
AUTO_PST	[14]	Automatic sequencing conversion of X-position and Y-position. (mirroring AUTO_PST in ADCTSC register) 0 = Normal ADC conversion 1 = Auto measurement of X-position, Y-position	-
XY_PST	[13:12]	Manual measurement of X-position or Y-position. (mirroring XY_PST in ADCTSC register) 00 = No operation mode 01 = X-position measurement 10 = Y-position measurement 11 = Waiting for Interrupt Mode	-
Ypdata_12	[11:10]	When A/D resolution is 12bit, X-position conversion MSB 2-bit data value. Data value(data [11:10]) = 0 ~ 0xFFF	
Ypdata	[9:0]	Y-position conversion data value. Data value(data [9:0]) = 0 ~ 0x3FF	-

3.6 ADC TOUCH SCREEN UP-DOWN INT CHECK REGISTER (ADCUPDN)

Register	Address	R/W	Description	Reset Value
ADCUPDN	0x58000014	R/W	Stylus Up or Down Interrpt state register	0x0

ADCUPDN	Bit	Description	Initial State
TSC_UP	[1]	Stylus Up Interrupt history. (After check, this bit should be cleared manually) 0 = No stylus up state. 1 = Stylus up interrupt has been occurred.	0
TSC_DN	[0]	Stylus Down Interrupt history. (After check, this bit should be cleared manually) 0 = No stylus down state. 1 = Stylus down interrupt has been occurred.	0

3.7 ADC CHANNEL MUX REGISTER (ADCMUX)

Register	Address	R/W	Description	Reset Value
ADCMUX	0x5800018	R/W	Analog input channel select	0x0

ADCMUX	Bit	Description	Initial State
ADCMUX	[3:0]	Analog input channel select. 0000 = AIN 0 0001 = AIN 1 0010 = AIN 2 0011 = AIN 3 0100 = AIN 4 0101 = AIN 5 0110 = AIN 6 (YM) 0111 = AIN 7 (YP) 1000 = AIN8 (XM) 1001 = AIN9 (XP)	0

NOTE: When Touch Screen Pads(YM, YP, XM, XP) are disabled, these ports can be used as Analog input ports(AIN6, AIN7, AIN8, AIN9) for ADC.

23 IIS MULTI AUDIO INTERFACE

1 OVERVIEW

IIS (Inter-IC Sound) is one of the popular digital audio interface. The bus has only to handle audio data, while the other signals, such as sub-coding and control, are transferred separately. Surely, it is possible to transmit data between two IIS bus. To minimize the number of pins required and to keep wiring simple, basically, a 3-line serial bus is used consisting of a line for two time-multiplexed data channels, a word select line and a clock line.

IIS interface transmits or receives sound data from external stereo audio codec. For transmitting and receiving data, three 32x16 TXFIFOs(First-In-First-Out) and one 32x16 RXFIFO data structures are included and DMA transfer mode for transmitting or receiving samples can be supported. IIS-specific clock can be supplied from internal system clock controller through IIS clock divider or direct clock source.

2 FEATURE

- Up to 5.1ch IIS-bus for audio interface with DMA-based operation
- Serial, 8/16/24 bit per channel data transfers
- Supports IIS, MSB-justified and LSB-justified data format
- Three 32-bit width 16 depth Tx FIFOs, One 32-bit width 16 depth Rx FIFO

3 SIGNALS

Name	Direction	Description
I2SLRCLK	Input/Output	IIS Multi Audio channel select(word select) clock
I2SSCLK	Input/Output	IIS Multi Audio serial clock(bit clock)
I2SCDCLK	Input/Output	IIS Multi Audio Codec clock
I2SSDI	Input	IIS Multi Audio serial data input
I2SSDO	Output	IIS Multi Audio serial data output 0
I2SSDO_1	Output	IIS Multi Audio serial data output 1
I2SSDO_2	Output	IIS Multi Audio serial data output 2

4 BLOCK DIAGRAM

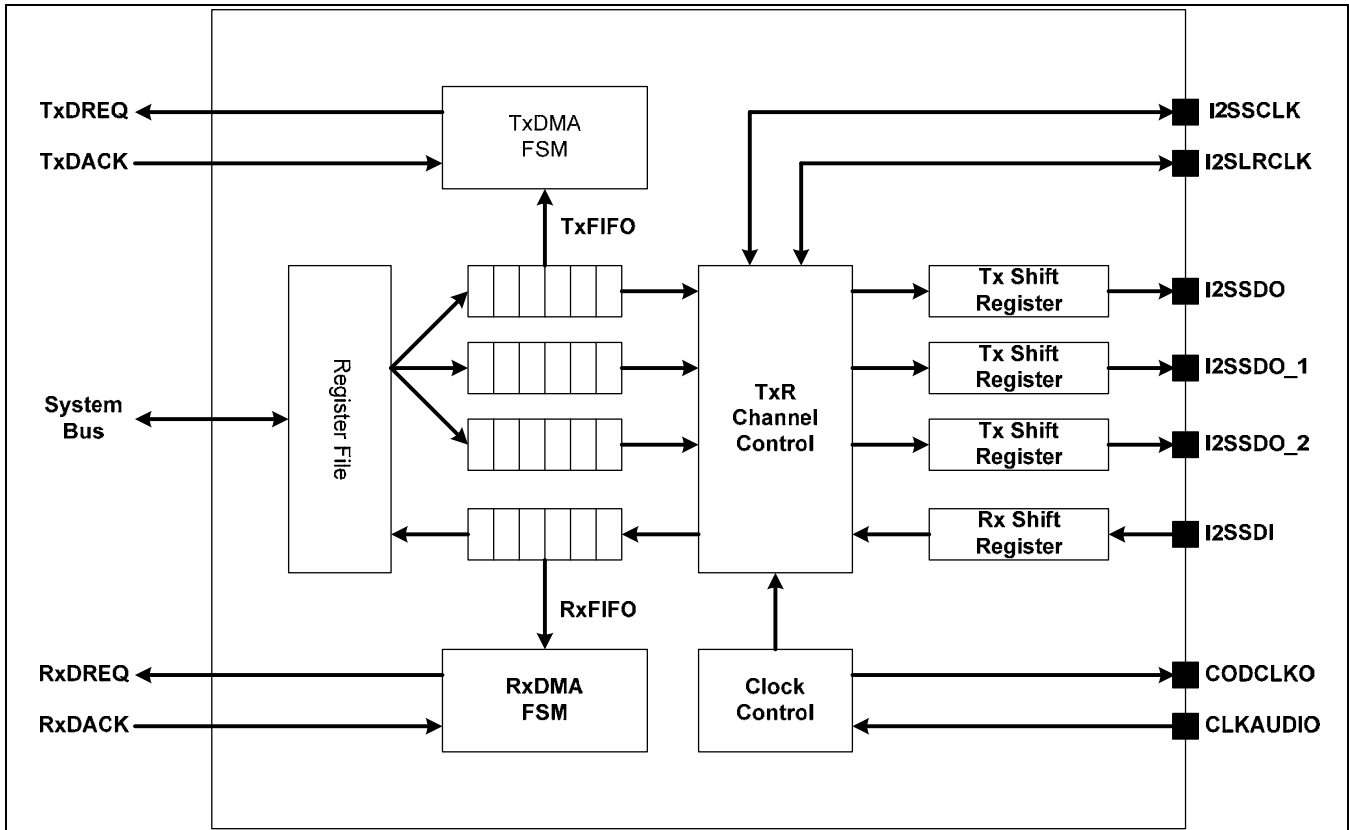


Figure 23-1. IIS-Bus Block Diagram

5 FUNCTIONAL DESCRIPTIONS

IIS interface consists of register bank, FIFOs, shift registers, clock control, DMA finite state machine, and channel control block as shown in Figure 23-1. Note that each FIFO has 32-bit width and 16 depth structure, which contains left/right channel data. So, FIFO access and data transfer are handled with left/right pair unit. Figure 23-1 shows the internal functional block diagram of IIS interface, for actual GPIO pad name, please refer prior page's SIGNALS table. For more detail guide of GPIO setting, please refer the GPIO chapter.

5.1 MASTER/SLAVE MODE

Master or slave mode can be chosen by setting IMS bit of IISMOD register. In master mode, I2SSCLK and I2SLRCLK are generated internally and supplied to external device. Therefore a root clock is needed for generating I2SSCLK and I2SLRCLK by dividing. The IIS pre-scaler (clock divider) is employed for generating a root clock with divided frequency from internal system clock(PCLK, divided EPLL clock , EPLLrefCLK) and external I2S clock(from I2SCDCLK pad). The I2SSCLK and I2SLRCLK are supplied from the pin (GPIOs) in slave mode.

Master/Slave mode is different with TX/RX. Master/Slave mode presents the direction of I2SLRCLK and I2SSCLK. It doesn't matter the direction of I2SCDCLK (This is only auxiliary.) At slave mode, I2SCDCLK can be also going out for external IIS codec chip operation. If IIS bus interface transmits clock signals to IIS codec, IIS bus is master mode. But if IIS bus interface receives clock signal from IIS codec, IIS bus is slave mode. TX/RX mode indicates the direction of data flow. If IIS bus interface transmits data to IIS codec, this is TX mode. Conversely, IIS bus interface receives data from IIS codec that is RX mode. Let's distinguish Master/Slave mode from TX/RX mode.

Figure 23-2 shows the route of the root clock with internal master(PCLK, divided EPLL clock , EPLLrefClock) or external master(External I2S clock) mode setting in IIS clock control block and system controller. Note that RCLK indicates root clock and this clock can be supplied to external IIS codec chip at internal master mode and slave mode.(when CDCLKCON bit of IISMOD register is 1). At slave mode RCLK doesn't affect to I2SSCLK and I2SLRCLK, but for correct I2S functioning setting RFS, BFS are needed.

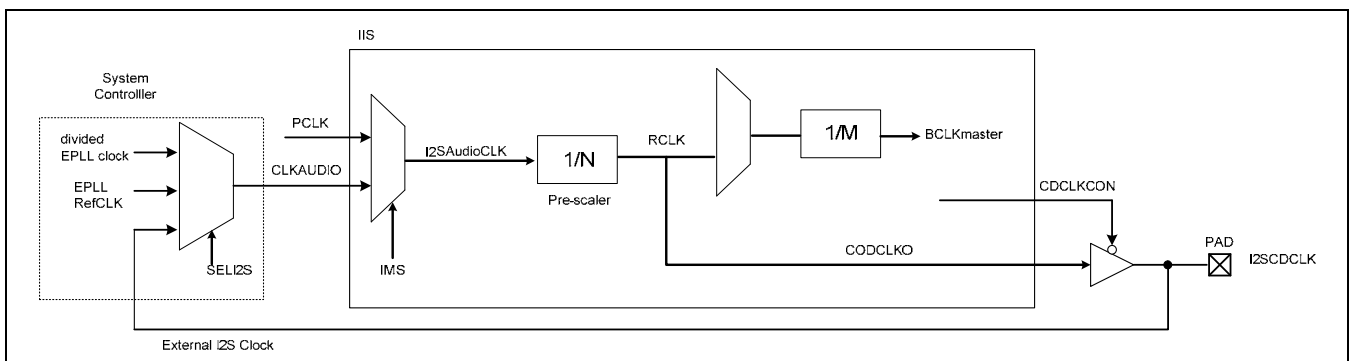


Figure 23-2. IIS Clock Control Block Diagram

5.2 DMA TRANSFER

In the DMA transfer mode, the transmitter or receiver FIFO are accessible by DMA controller. DMA service request is activated internally by the transmitter or receiver FIFO state. The FTXEMPT, FRXEMPT, FTXFULL, and FRXFULL bits of I2SCON register represent the transmitter or receiver FIFO data state. Especially, FTXEMPT and FRXFULL bit are the ready flag for DMA service request; the transmit DMA service request is activated when TXFIFO is not empty and the receiver DMA service request is activated when RXFIFO is not full.

The DMA transfer uses only handshaking method for single data. Note that during DMA acknowledge activation, the data read or write operation should be performed.

* DMA request point

- TX mode : (FIFO is not full) & (TXDMACTIVE is active)
- RX mode : (FIFO is not empty) & (RXDMACTIVE is active)

NOTE

It only supports single transfer in DMA mode.

6 AUDIO SERIAL DATA FORMAT

6.1 IIS-BUS FORMAT

The IIS bus has four lines including serial data input I2SSDI, serial data output I2SSDO, left/right channel select clock I2SLRCLK, and serial bit clock I2SSCLK; the device generating I2SLRCLK and I2SSCLK is the master.

Serial data is transmitted in 2's complement with the MSB first with a fixed position, whereas the position of the LSB depends on the word length. The transmitter sends the MSB of the next word at one clock period after the I2SLRCLK is changed. Serial data sent by the transmitter may be synchronized with either the trailing or the leading edge of the clock signal. However, the serial data must be latched into the receiver on the leading edge of the serial clock signal, and so there are some restrictions when transmitting data that is synchronized with the leading edge.

The LR channel select line indicates the channel being transmitted. I2SLRCLK may be changed either on a trailing or leading edge of the serial clock, but it does not need to be symmetrical. In the slave, this signal is latched on the leading edge of the clock signal. The I2SLRCLK line changes one clock period before the MSB is transmitted. This allows the slave transmitter to derive synchronous timing of the serial data that will be set up for transmission. Furthermore, it enables the receiver to store the previous word and clear the input for the next word.

6.2 MSB (LEFT) JUSTIFIED

MSB-Justified (Left-Justified) format is similar to IIS bus format, except that in MSB-justified format, the transmitter always sends the MSB of the next word at the same time whenever the I2SLRCLK is changed.

6.3 LSB (RIGHT) JUSTIFIED

LSB-Justified (Right-Justified) format is opposite to the MSB-justified format. In other word, the transferring serial data is aligned with ending point of I2SLRCLK transition.

Figure 23-3 shows the audio serial format of IIS, MSB-justified, and LSB-justified. Note that in this figure, the word length is 16 bit and I2SLRCLK makes transition every 24 cycle of I2SSCLK (BFS is 48 fs, where fs is sampling frequency; I2SLRCLK frequency).

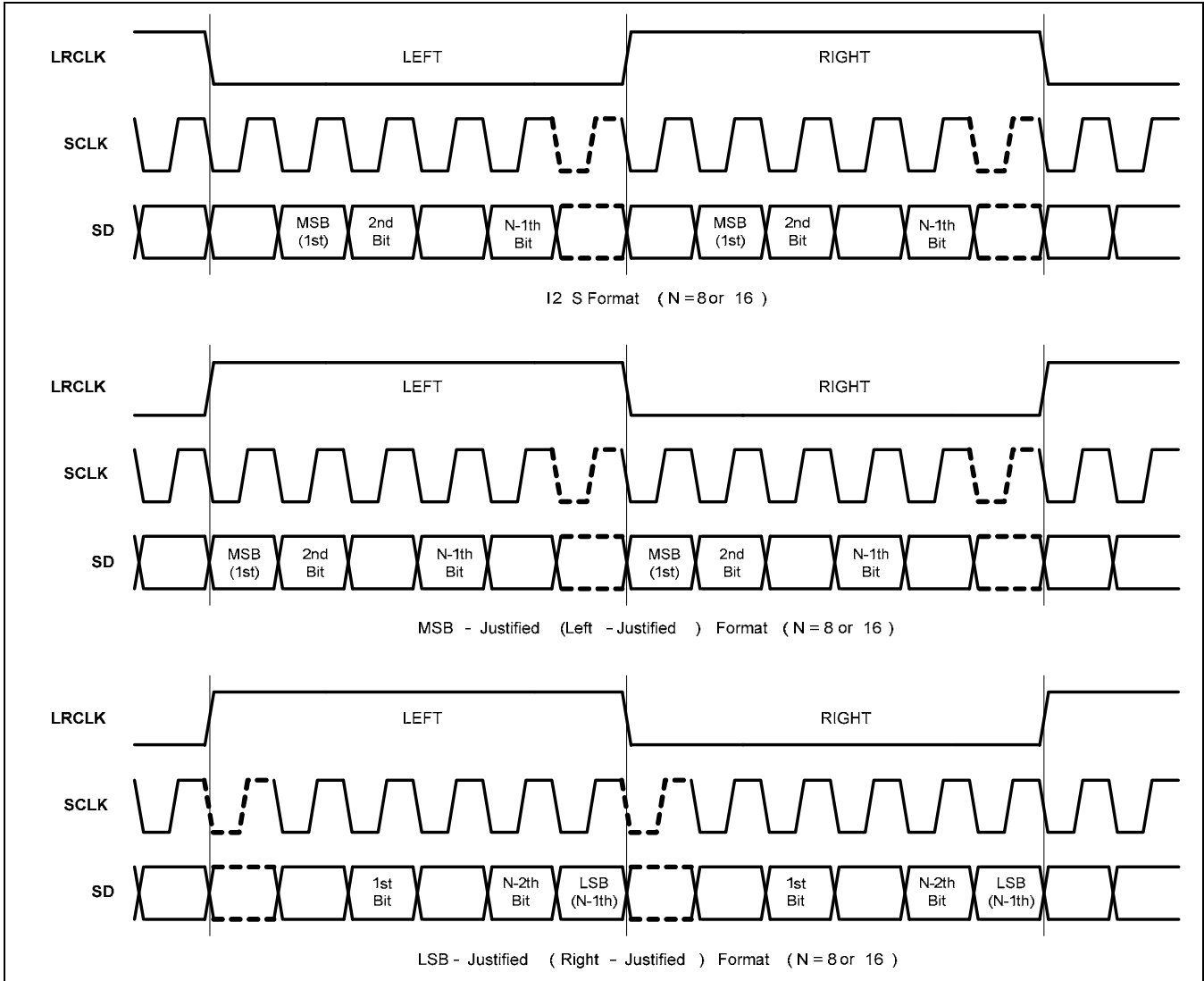


Figure 23-3. IIS Audio Serial Data Formats

6.4 SAMPLING FREQUENCY AND MASTER CLOCK

Master clock frequency (RCLK) can be selected by sampling frequency as shown in Table 23-1. Because RCLK is made by IIS pre-scaler, the pre-scaler value and RCLK type (256fs or 384fs or 512fs or 768fs) should be determined properly.

Table 23-1. CODEC clock (CODECLK = 256fs, 384fs, 512fs, 768fs)

IISLRCK (fs)	8.000 kHz	11.025 kHz	16.000 kHz	22.050 kHz	32.000 kHz	44.100 kHz	48.000 kHz	64.000 kHz	88.200 kHz	96.000 kHz
CODECLK (MHz)	256fs									
	2.0480	2.8224	4.0960	5.6448	8.1920	11.2896	12.2880	16.3840	22.5792	24.5760
	384fs									
	3.0720	4.2336	6.1440	8.4672	12.2880	16.9344	18.4320	24.5760	33.8688	36.8640
	512fs									
	4.0960	5.6448	8.1920	11.2900	16.3840	22.5790	24.5760	32.7680	45.1580	49.1520
	768fs									
6.1440	8.4672	12.2880	16.9340	24.5760	33.8690	36.8640	49.1520	-	-	

NOTE: fs represents sampling frequency.

CODECLK Frequency = fs * (256 or 384 or 512 or 768)

6.5 IIS CLOCK MAPPING TABLE

On selecting BFS, RFS, and BLC bits of I2SMOD register, user should refer to the following table. Table 23-2 shows the allowable clock frequency mapping relations.

Table 23-2. IIS Clock Mapping Table

Clock Frequency		RFS			
		256 fs (00B)	512 fs (01B)	384 fs (10B)	768 fs (11B)
BFS	16 fs (10B)	(a)	(a)	(a)	(a)
	24 fs (11B)	-	-	(a)	(a)
	32 fs (00B)	(a) (b)	(a) (b)	(a) (b)	(a) (b)
	48 fs (01B)	-	-	(a) (b) (c)	(a) (b) (c)
Descriptions		(a) Allowed when BLC is 8-bit (01B) (b) Allowed when BLC is 16-bit (00B) (c) Allowed when BLC is 24-bit (10B)			

NOTE: Bit Clock Frequency \geq fs * (bit length * 2). Under this condition Bit Clock Frequency can be one of among fs * (16 or 24 or 32 or 48). The codec clock is a multiple of the bit clock among fs * (256 or 384 or 512 or 768)

Example: If bit length is 16 bit, Bit Clock Frequency \geq fs * 32. So it can be one of fs * (32 or 48).
If Bit Clock Frequency is 48 fs, then 384fs(48 fs* 8) and 768fs(48 fs * 16) are the clock which is a multiple of the Bit Clock Frequency.

7 PROGRAMMING GUIDE

The IIS bus interface can be accessed either by the processor using programmed I/O instructions or by the DMA controller.

7.1 INITIALIZATION

1. Before you use IIS bus interface, you have to configure GPIOs to IIS mode. And check signal's direction. I2SLRCLK, I2SSCLK and I2SCDCLK is inout-type. The each of I2SSDI and I2SSDO is input and output.
2. Now then, you choose clock source. S3C2416 has four clock sources. Those are PCLK, divided EPLL clock EPLLRefCLK and external codec. If you want to know more detail, refer Figure 23-2.

7.2 PLAY MODE (TX MODE) WITH DMA

1. TXFIFO is flushed before operation. If you don't distinguish Master/Slave mode from TX/RX mode, you must study Master/Slave mode and TX/RX mode. Refer Master/Slave chapter.
2. To configure I2SMOD register and I2SPSR (IIS pre-scaler register) properly.
3. To operate system in stability, the internal TXFIFO should be almost full before transmission. First of all, DMA starts because of that reason.
4. Basically, IIS bus doesn't support the interrupt. So, you can only check state by polling through accessing SFR.
5. If TXFIFO is full, now then you make I2SACTIVE be asserted.

7.3 RECORDING MODE (RX MODE) WITH DMA

1. RXFIFO is flushed before operation. Also, if you don't distinguish between Master/Slave mode and TX/RX mode, you must study Master/Slave mode and TX/RX mode. Refer Master/Slave chapter.
2. To configure I2SMOD register and I2SPSR (IIS pre-scaler register) properly.
3. To operate system in stability, the internal RXFIFO should have at least one data before DMA operation. Because of that reason, you make I2SACTIVE be asserted.
4. Now then you check RXFIFO state by polling through accessing SFR.
5. If RXFIFO is not empty, let's start RXDMACTIVE.

7.4 EXAMPLE CODE

TX CHANNEL

The I2S TX channel provides single/double/tripple stereo compliant outputs. The transmit channel can operate in master or Slave mode. Data is transferred between the processor and the I2S controller via an APB access or a DMA access.

The processor must write words in multiples of two (i.e. for left and right audio sample).The words are serially shifted out timed with respect to the audio serial BITCLK, SCLK and word select clock, LRCLK.

TX Channel has 16X32 bit wide FIFO where the processor or DMA can write UPTO 16 left/right data samples after enabling the channel for transmission.

An Example sequence is as the following.

Ensure the PCLK and CLKAUDIO are coming correctly to the I2S controller and FLUSH the TX FIFO using the TFLUSH bit in the I2SFIC Register (I2S FIFO Control Register).

Please ensure that I2S Controller is configured in one of the following modes.

- TX only mode
- TX/RX simultaneous mode

This can be done by programming the TXR bit in the I2SMOD Register (I2S Mode Register).

1. Then Program the following parameters according to the need

- IMS
- SDF
- BFS
- BLC
- LRP

For Programming, the above-mentioned fields please refer I2SMOD Register (I2S Mode Register).

2. Once ensured that the input clocks for I2S controller are up and running and step 1 and 2 have been completed we can write to TX FIFO.

The write to the TX FIFO has to be carried out thorough the I2STXD Register (I2S TX FIFO Register)

This 32 bit data will occupy position 0 of the FIFO and any further data will be written to position 2, 3 and so on.

The Data is aligned in the TX FIFO for 8-bits/channel or 16-bits/channel BLC as shown

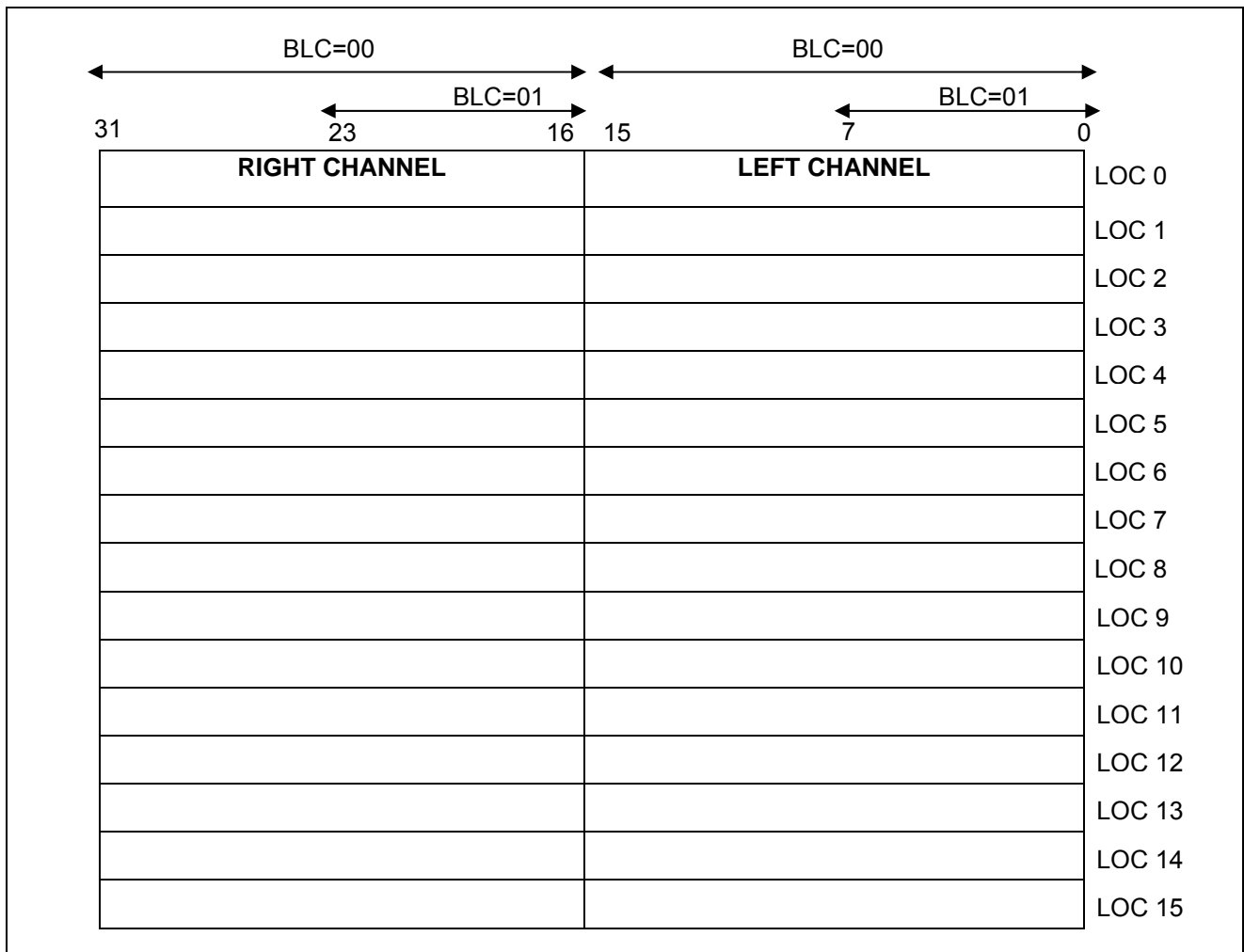


Figure 23-4. TX FIFO Structure for BLC = 00 or BLC = 01

The Data is aligned in the TX FIFO for 24-bits/channel BLC as shown

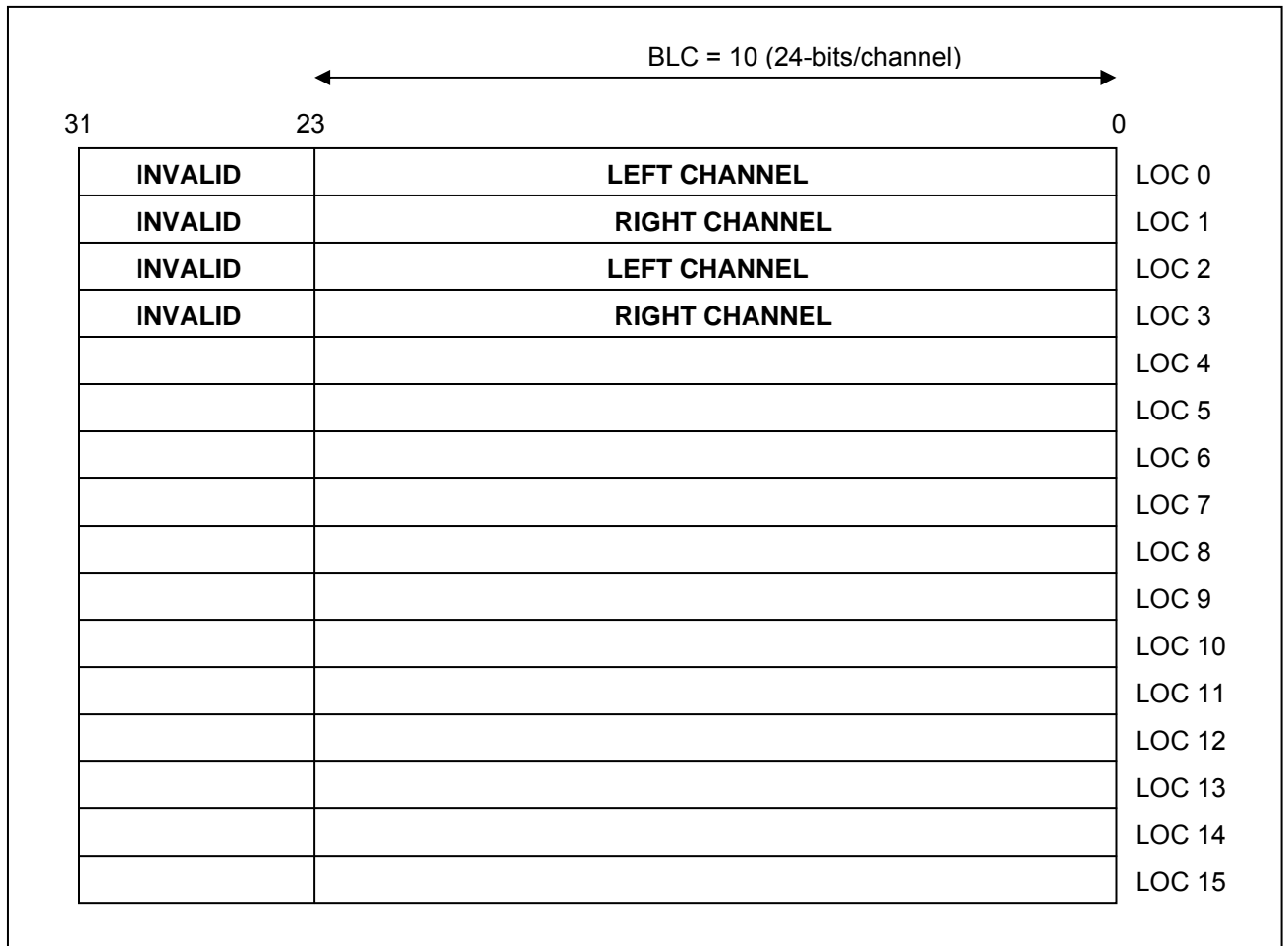


Figure 23-5. TX FIFO Structure for BLC = 10 (24-bits/channel)

Once the data is written to the TX FIFO the TX channel can be made active by enabling the I2SACTIVE bit in the I2SCON Register (I2S Control Register).

The data is then serially shifted out with respect to the serial bit clock SCLK and word select clock LRCLK.

The TXCHPAUSE in the I2SCON Register (I2S Control Register) can stop the serial data transmission on the I2SSDO. The transmission is stopped once the current Left/Right channel is transmitted.

If the control registers in the I2SCON Register (I2S Control Register) and I2SMOD Register (I2S Mode Register) are to be reprogrammed then it is advisable to disable the TX channel.

If the TX channel is enabled while the FIFO is empty, no samples are read from the FIFO.

The Status of TX FIFO can be checked by checking the bits in the I2SFIC Register (I2S FIFO Control Register).

RX CHANNEL

The I2S RX channel provides a single stereo compliant output. The receive channel can operate in master or slave mode. Data is received from the input line and transferred into the RX FIFO. The processor can then read this data via an APB read or a DMA access can access this data.

RX Channel has a 16X32 bit wide RX FIFO where the processor or DMA can read UPTO 16 left/right data samples after enabling the channel for reception.

An Example sequence is as following.

Ensure the PCLK and CLKAUDIO are coming correctly to the I2S controller and FLUSH the RX FIFO using the RFLUSH bit in the I2SFIC Register (I2S FIFO Control Register) and the I2S controller is configured in any of the modes

- Receive only.
- Receive/Transmit simultaneous mode

This can be done by Programming the TXR bit in the I2SMOD Register (I2S Mode Register)

1. Then Program the following parameters according to the need
 - IMS
 - SDF
 - BFS
 - BLC
 - LRP

For Programming, the above mentioned fields please refer I2SMOD Register (I2S Mode Register)

2. Once ensured that the input clocks for I2S controller are up and running and step 1 and 2 have been completed user must put the I2SACTIVE high to enable any reception of data, the I2S Controller receives data on the LRCLK change.

The Data must be read from the RX FIFO using the I2SRXD Register (I2S RX FIFO Register) only after looking at the RX FIFO count in the I2SFIC Register (I2S FIFO Control Register). The count would only increment once the complete left channel and right have been received.

The Data is aligned in the RX FIFO for 8-bits/channel or 16-bits/channel BLC as shown

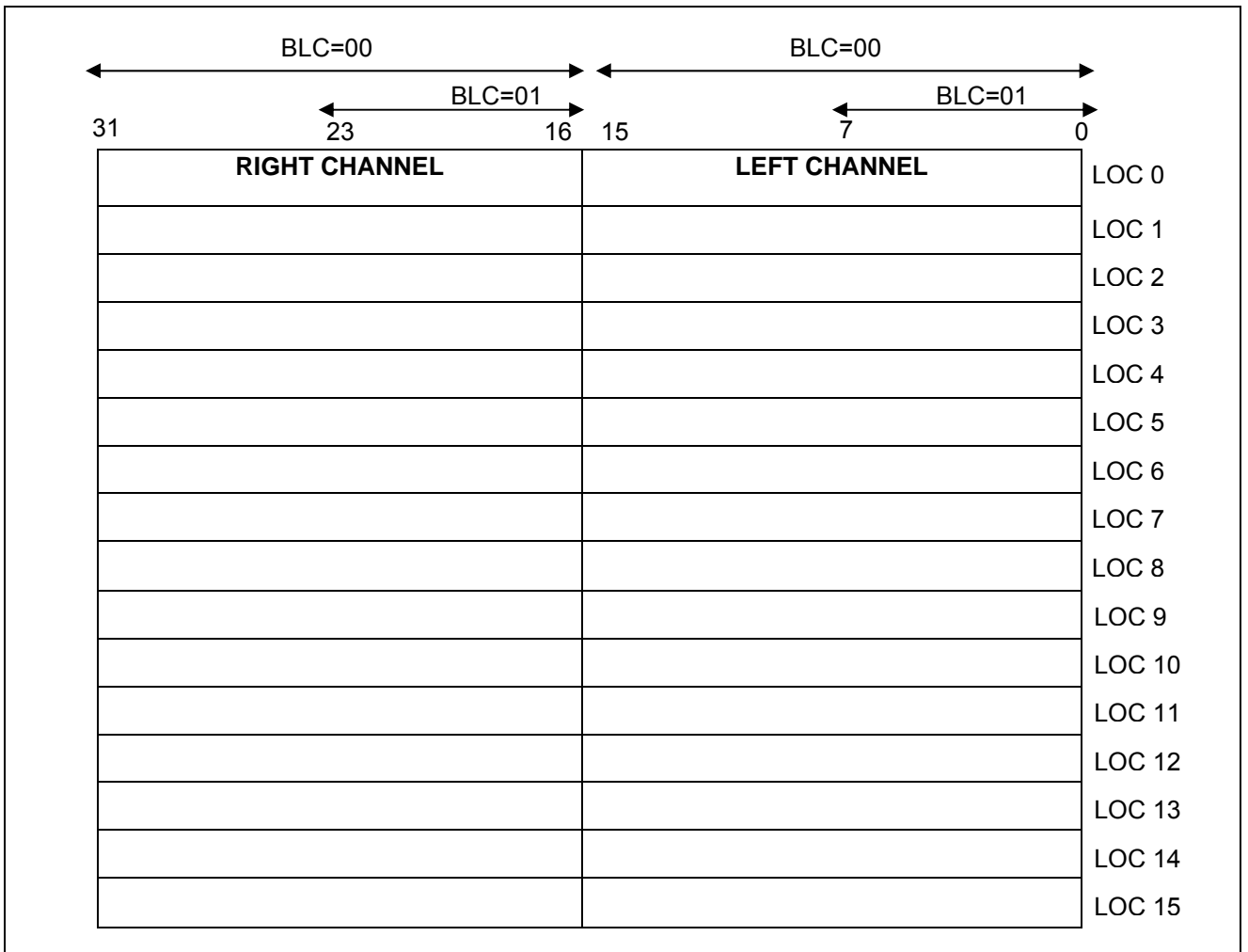


Figure 23-6. RX FIFO Structure for BLC = 00 or BLC = 01

The Data is aligned in the RX FIFO for 24-bits/channel BLC as shown

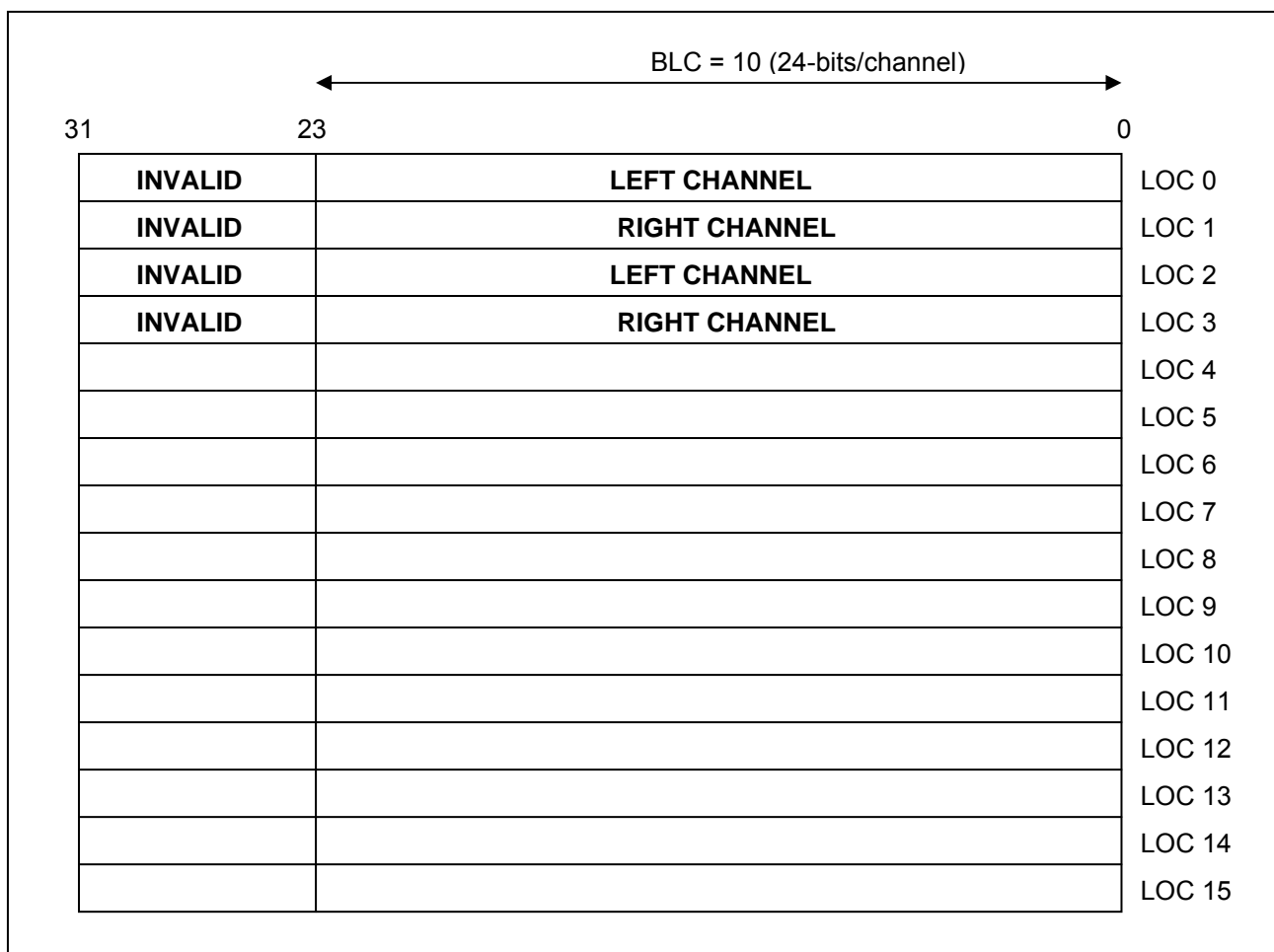


Figure 23-7. RX FIFO Structure for BLC = 10 (24-bits/channel)

The RXCHPAUSE in the I2SCON register can stop the serial data reception on the I2SSDI. The reception is stopped once the current Left/Right channel is received. If the control registers in the I2SCON Register (I2S Control Register) and I2SMOD Register (I2S Mode Register) are to be reprogrammed then it is advisable to disable the RX channel.

The Status of RX FIFO can be checked by checking the bits in the I2SFIC Register (I2S FIFO Control Register).

8 IIS-BUS INTERFACE SPECIAL REGISTERS

Table 23-3. Register Summary of IIS Interface

Register	Address	R/W	Description	Reset Value
IISCON	0x55000000	R/W	IIS interface control register	0xC600
IISMOD	0x55000004	R/W	IIS interface mode register	0x0
IISFIC	0x55000008	R/W	IIS interface FIFO control register	0x0
IISPSR	0x5500000C	R/W	IIS interface clock divider control register	0x0
IISTXD	0x55000010	W	IIS interface transmit data register	0x0
IISRXD	0x55000014	R	IIS interface receive data register	0x0

NOTE: All registers of IIS interface are accessible by word unit with STR/LDR instructions.

8.1 IIS CONTROL REGISTER (IISCON)

Register	Address	Description	Reset Value
IISCON	0x55000000	IIS interface control register	0x0000_C600

IISCON	Bit	R/W	Description
Reserved	[31:18]	R/W	Reserved. Program to zero.
FTXURSTATUS	[17]	R/W	TX FIFO under-run interrupt status. And this is used by interrupt clear bit. When this is high, you can do interrupt clear by writing '1'. 0 = Interrupt didn't be occurred. 1 = Interrupt was occurred.
FTXURINTEN	[16]	R/W	TX FIFO Under-run Interrupt Enable 0 = TXFIFO Under-run INT disable 1 = TXFIFO Under-run INT enable 1)
FTX2EMPT	[15]	R	TX FIFO2 empty Status Indication 0 = TX FIFO2 is not empty(Ready to transmit Data) 1 = TX FIFO2 is empty (Not Ready to transmit Data)
FTX1EMPT	[14]	R	TX FIFO1 empty Status Indication 0 = TX FIFO1 is not empty(Ready to transmit Data) 1 = TX FIFO1 is empty (Not Ready to transmit Data)
FTX2FULL	[13]	R	TX FIFO2 full Status Indication 0 = TX FIFO2 is not full 1 = TX FIFO2 is full
FTX1FULL	[12]	R	TX FIFO1 full Status Indication 0 = TX FIFO1 is not full 1 = TX FIFO1 is full
LRI	[11]	R	Left/Right channel clock indication. Note that LRI meaning is dependent on the value of LRP bit of I2SMOD register. 0 = Left (when LRP bit is low) or right (when LRP bit is high) 1 = Right (when LRP bit is low) or left (when LRP bit is high)
FTX0EMPT	[10]	R	Tx FIFO0 empty status indication. 0 = FIFO is not empty (ready for transmit data to channel) 1 = FIFO is empty (not ready for transmit data to channel)
FRXEMPT	[9]	R	Rx FIFO empty status indication. 0 = FIFO is not empty 1 = FIFO is empty
FTX0FULL	[8]	R	Tx FIFO0 full status indication. 0 = FIFO is not full 1 = FIFO is full

IISCON	Bit	R/W	Description
FRXFULL	[7]	R	Rx FIFO full status indication. 0 = FIFO is not full (ready for receive data from channel) 1 = FIFO is full (not ready for receive data from channel)
TXDMAPAUSE	[6]	R/W	Tx DMA operation pause command. Note that when this bit is activated at any time, the DMA request will be halted after current on-going DMA transfer is completed. 0 = No pause DMA operation 1 = Pause DMA operation
RXDMAPAUSE	[5]	R/W	Rx DMA operation pause command. Note that when this bit is activated at any time, the DMA request will be halted after current on-going DMA transfer is completed. 0 = No pause DMA operation 1 = Pause DMA operation
TXCHPAUSE	[4]	R/W	Tx channel operation pause command. Note that when this bit is activated at any time, the channel operation will be halted after left-right channel data transfer is completed. 0 = No pause operation 1 = Pause operation
RXCHPAUSE	[3]	R/W	Rx channel operation pause command. Note that when this bit is activated at any time, the channel operation will be halted after left-right channel data transfer is completed. 0 = No pause operation 1 = Pause operation
TXDMACTIVE	[2]	R/W	Tx DMA active (start DMA request). Note that when this bit is set from high to low, the DMA operation will be forced to stop immediately. 0 = Inactive 1 = Active
RXDMACTIVE	[1]	R/W	Rx DMA active (start DMA request). Note that when this bit is set from high to low, the DMA operation will be forced to stop immediately. 0 = Inactive 1 = Active
I2SACTIVE	[0]	R/W	IIS interface active (start operation). 0 = Inactive 1 = Active

NOTE: When playing is finished, Under-run interrupt will be occurring. (Since no more data are written into TXFIFO at the end of playing.) User can stop transmission at this Under-run interrupt.

8.2 IIS MODE REGISTER (IISMOD)

Register	Address	Description	Reset Value
IISMOD	0x55000004	IIS interface mode register	0x0000_0000

IISMOD	Bit	R/W	Description
Reserved	[31:15]	R/W	Reserved. Program to zero.
CDD2	[21:20]	R/W	Channel-2 Data Discard. Discard means zero padding. It only supports 8/16 bit mode. 00 = No Discard 01 = I2STXD[15:0] Discard 10 = I2STXD[31:16] Discard 11 = Reserved
CDD1	[19:18]	R/W	Channel-1 Data Discard. Discard means zero padding. It only supports 8/16 bit mode. 00 = No Discard 01 = I2STXD[15:0] Discard 10 = I2STXD[31:16] Discard 11 = Reserved
DCE	[17:16]	R/W	Data Channel Enable. [17] = SD2 channel enable [16] = SD1 channel enable
	[15]	R/W	Reserved, Program to Zero
BLC	[14:13]	R/W	Bit Length Control Bit Which decides transmission of 8/16 bits per audio channel 00 = 16 Bits per channel 01 = 8 Bits Per Channel 10 = 24 Bits Per Channel 11 = Reserved
CDCLKCON	[12]	R/W	Determine direction of codec clock(I2SCDCLK) 0 = Supply codec clock to external codec chip. (from PCLK, EPLL, EPLLRefCLK) 1 = Get codec clock from external codec chip. (to CLKAUDIO) (Refer to Figure 23-2)
IMS	[11:10]	R/W	IIS master or slave mode select. (and select source of codec clock) 00 = Master mode (PCLK is source clock for I2SSCLK, I2SLRCLK, I2SCDCLK) 01 = Master mode (CLKAUDIO is source clock for I2SSCLK, I2SLRCLK. CLKAUDIO-EPLL, EPLLRefCLK is source clock for I2SCDCLK) 10 = Slave mode (PCLK is source clock for I2SCDCLK) 11 = Slave mode (CLKAUDIO-EPLL, EPLLRefCLK is source clock for I2SCDCLK) (Refer to Figure 23-2)

IISMOD	Bit	R/W	Description
TXR	[9:8]	R/W	Transmit or receive mode select. 00 = Transmit only mode 01 = Receive only mode 10 = Transmit and receive simultaneous mode 11 = Reserved
LRP	[7]	R/W	Left/Right channel clock polarity select. 0 = Low for left channel and high for right channel 1 = High for left channel and low for right channel
SDF	[6:5]	R/W	Serial data format. 00 = IIS format 01 = MSB-justified (left-justified) format 10 = LSB-justified (right-justified) format 11 = Reserved
RFS	[4:3]	R/W	IIS root clock (codec clock) frequency select. 00 = 256 fs, where fs is sampling frequency 01 = 512 fs 10 = 384 fs 11 = 768 fs (Even in the slave mode, this bit should be set for correct)
BFS	[2:1]	R/W	Bit clock frequency select. 00 = 32 fs, where fs is sampling frequency 01 = 48 fs 10 = 16 fs 11 = 24 fs (Even in the slave mode, this bit should be set for correct)
	[0]	R/W	Reserved. Program to zero.

8.3 IIS FIFO CONTROL REGISTER (IISFIC)

Register	Address	Description	Reset Value
IISFIC	0x55000008	IIS interface FIFO control register	0x0000_0000

IISFIC	Bit	R/W	Description
	[31:29]	R/W	Reserved. Program to zero.
FTX2CNT	[28:24]	R	TX FIFO2 data count. (0 ~ 16)
	[23:21]	R/W	Reserved. Program to zero.
FTX1CNT	[20:16]	R	TX FIFO1 data count. (0~16)
TFLUSH	[15]	R/W	TX FIFO flush command. 0 = No flush 1 = Flush
	[14:13]	R/W	Reserved. Program to zero.
FTX0CNT	[12:8]	R	TX FIFO0 data count. (0~16)
RFLUSH	[7]	R/W	RX FIFO flush command. 0 = No flush 1 = Flush
	[6:5]	R/W	Reserved. Program to zero.
FRXCNT	[4:0]	R	RX FIFO data count. (0~16)

NOTE: Tx FIFOs, Rx FIFO has 32-bit width and 16 depth structure, so FIFO data count value ranges from 0 to 16.

8.4 IIS PRESCALER CONTROL REGISTER (IISPSR)

Register	Address	Description	Reset Value
IISPSR	0x5500000C	IIS interface clock divider control register	0x0000_0000

IISPSR	Bit	R/W	Description
	[31:16]	R/W	Reserved. Program to zero.
PSRAEN	[15]	R/W	Pre-scaler (Clock divider) active. 1 = Active (divide I2SAudioCLK with Pre-scaler division value) 0 = Inactive (bypass I2SAudioCLK) (Refer to Figure 23-2)
	[14]	R/W	Reserved. Program to zero.
PSVALA	[13:8]	R/W	Pre-scaler (Clock divider) division value. N: Division factor is N+1 (1~1/64)
	[7:0]	R/W	Reserved. Program to zero.

8.5 IIS TRANSMIT REGISTER (IISTXD)

Register	Address	Description	Reset Value
IISTXD	0x55000010	IIS interface transmit data register	0x0000_0000

IISTXD	Bit	R/W	Description
IISTXD	[31:0]	W	TX FIFO write data. Note that the left/right channel data is allocated as the following bit fields. R[23:0], L[23:0] when 24-bit BLC R[31:16], L[15:0] when 16-bit BLC R[23:16], L[7:0] when 8-bit BLC

8.6 IIS RECEIVE REGISTER (IISRXD)

Register	Address	Description	Reset Value
IISRXD	0x55000014	IIS interface receive data register	0x0000_0000

IISRXD	Bit	R/W	Description
IISRXD	[31:0]	R	RX FIFO read data. Note that the left/right channel data is allocated as the following bit fields. R[23:0], L[23:0] when 24-bit BLC R[31:16], L[15:0] when 16-bit BLC R[23:16], L[7:0] when 8-bit BLC

NOTES

24 AC97 CONTROLLER

1 OVERVIEW

The AC97 Controller Unit of the S3C2416 supports the AC97 revision 2.0 features. AC97 Controller communicates with AC97 Codec using audio controller link (AC-link). Controller sends the stereo PCM data to Codec. The external digital-to-analog converter (DAC) in the Codec then converts the audio sample to an analog audio waveform. Also, Controller receives the stereo PCM data and the mono Mic data from Codec then store in memories. This chapter describes the programming model for the AC97 Controller Unit. The information in this chapter requires an understanding of the AC97 revision 2.0 specifications.

1.1 FEATURE

- Independent channels for stereo PCM In(Slot3, Slot4), mono MIC In(Slot 6), stereo PCM Out(Slot3, Slot4).
- DMA-based operation and interrupt based operation.
- All of the channels support only 16-bit samples.
- Variable sampling rate AC97 Codec interface (48kHz and below)
- 16-bit, 16 entry FIFOs per channel
- Only primary Codec support

1.2 SIGNALS

Name	Direction	Description
AC_nRESET	Output	Active-low CODEC reset.
AC_BIT_CLK	Input	12.288MHz bit-rate clock
AC_SYNC	Output	48 kHz frame indicator and synchronizer
AC_SDO	Output	Serial audio output data.
AC_SDI	Input	Serial audio input data.

2 AC97 CONTROLLER OPERATION

This section explains the AC97 controller operation. Also it says to program guide. You must study AC-Link, Power-down sequence and Wake-up sequence.

2.1 BLOCK DIAGRAM

Figure 24-1 shows the functional block diagram of S3C2416 AC97 Controller. The AC97 signals form the AC-link, which is a point-to-point synchronous serial inter-connecting that supports full-duplex data transfers. All digital audio streams and command/status information are communicated over the AC-link.

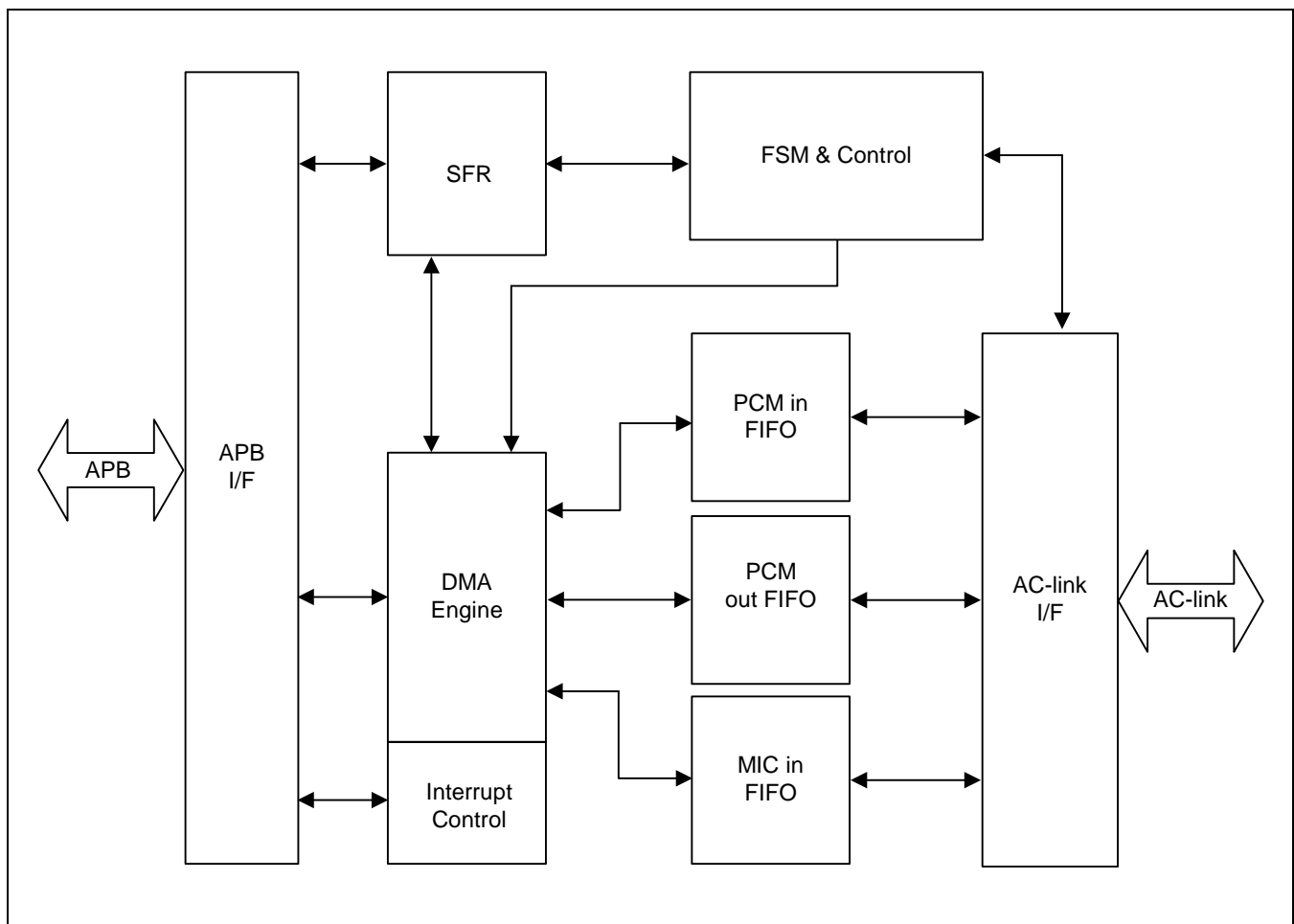


Figure 24-1. AC97 Block Diagram

2.2 INTERNAL DATA PATH

Figure 24-2 shows the internal data path of S3C2416 AC97 Controller. It has stereo Pulse Code Modulated (PCM) In, Stereo PCM Out and mono Mic-in buffers, which consist of 16-bit, 16 entries buffer. It also has 20-bit I/O shift register via AC-link.

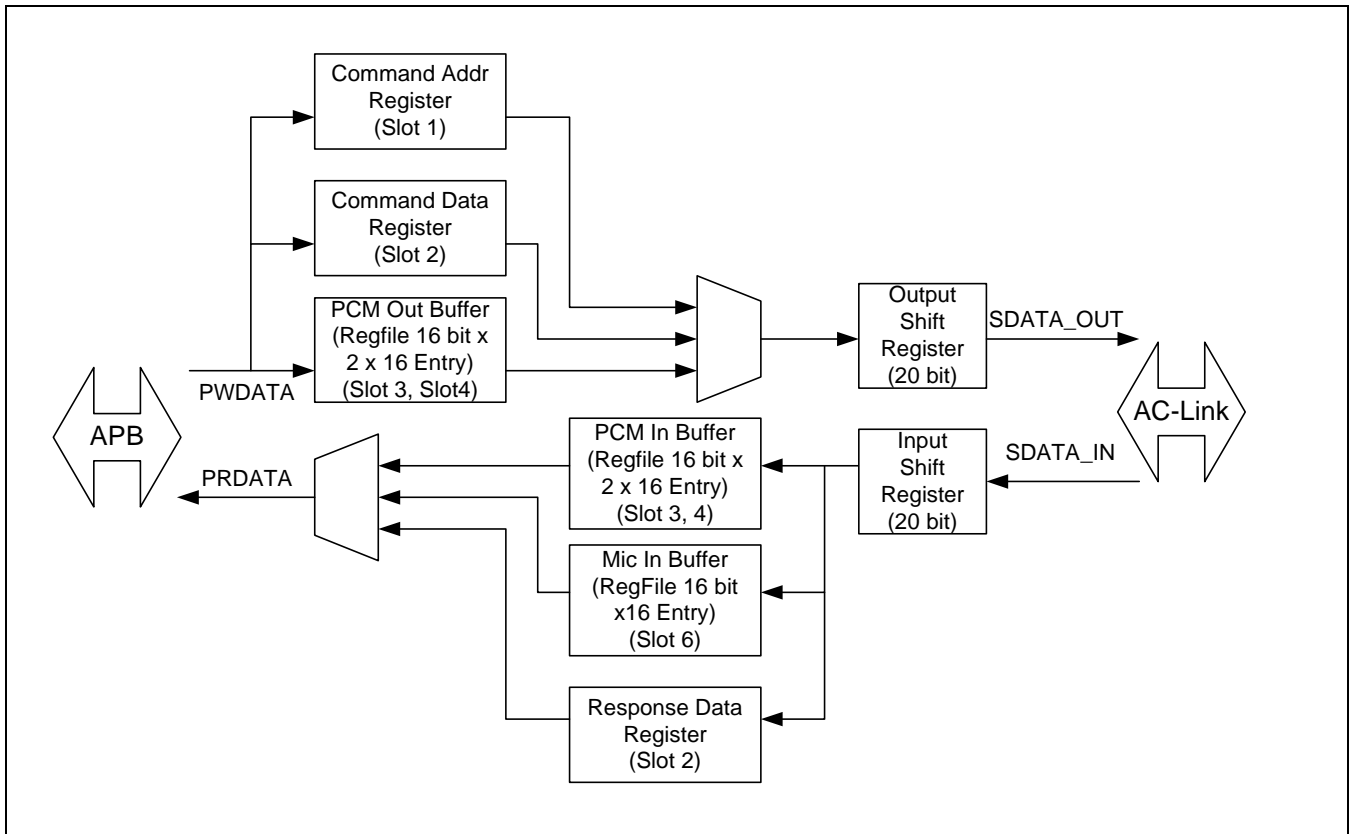


Figure 24-2. Internal Data Path

3 OPERATION FLOW CHART

When you initialize the AC97 controller, you must assert system reset or cold reset. Because we don't know the previous state of the external the AC97 audio-codec. This assumes that GPIO is already ready. Then you make codec ready interrupt enable. You can check codec ready interrupt by polling or interrupt. When interrupt is occurred, you must de-assert codec ready interrupt. Now then you can transmit data from memory to register, or from register to memory by using DMA or PIO(directly to write data to register). If internal FIFOs (TX FIFO or RX FIFO) is not empty, then let data be transmitted. In addition, you can previously turn on AC-Link.

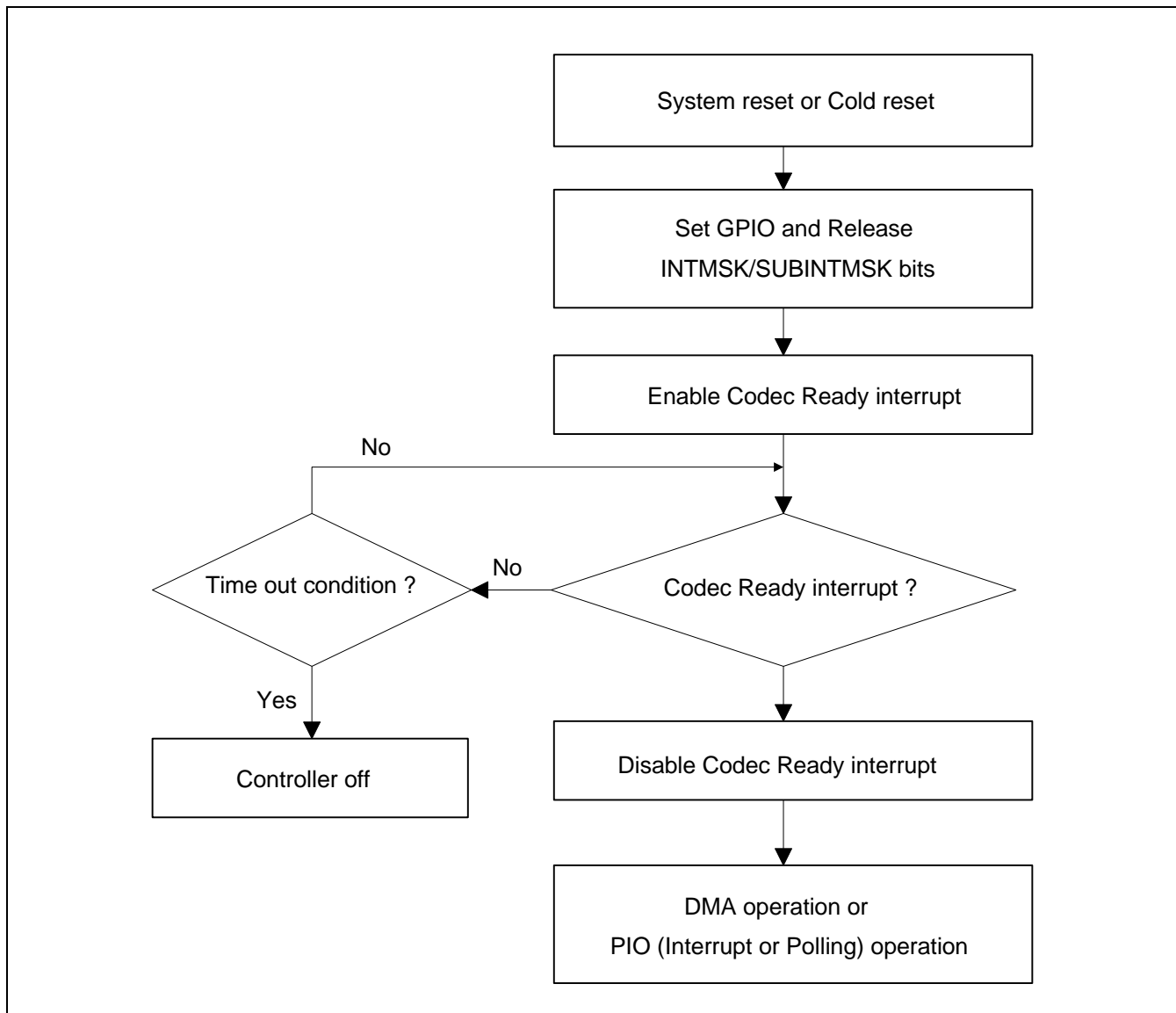


Figure 24-3. AC97 Operation Flow Chart

4 AC-LINK DIGITAL INTERFACE PROTOCOL

Each AC97 Codec incorporates a five-pin digital serial interface that links it to the S3C2416 AC97 Controller. AC-link is a full-duplex, fixed-clock, PCM digital stream. It employs a time division multiplexed (TDM) scheme to handle control register accesses and multiple input and output audio streams. The AC-link architecture divides each audio frame into 12 outgoing and 12 incoming data streams. Each stream has 20-bit sample resolution and requires a DAC and an analog-to-digital converter (ADC) with a minimum 16-bit resolution.

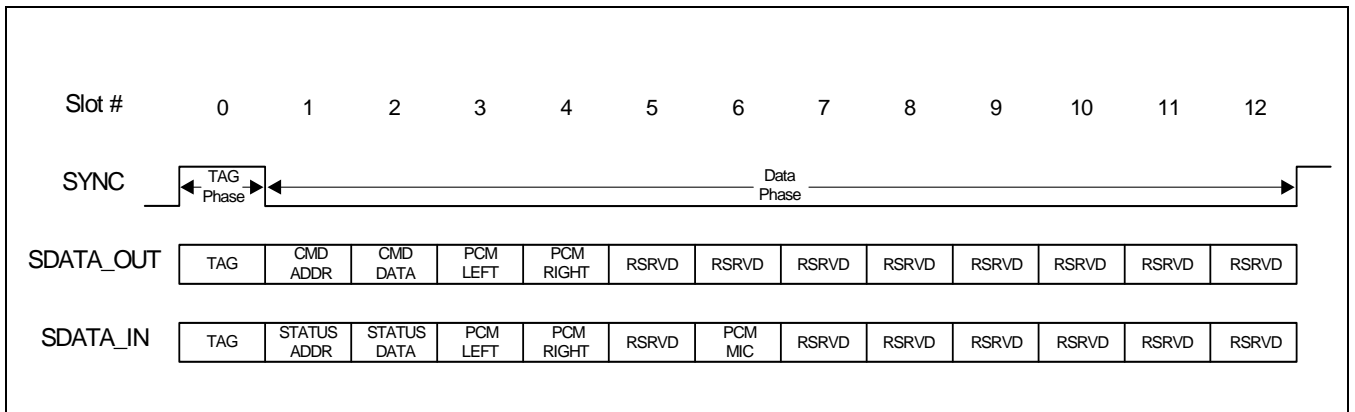


Figure 24-4. Bi-directional AC-link Frame with Slot Assignments

Figure 24-4 shows the slot definitions that the S3C2416 AC97 Controller supports. The S3C2416 AC97 Controller provides synchronization for all data transaction on the AC-link.

A data transaction is made up of 256 bits of information broken up into groups of 13 time slots and is called a frame. Time slot 0 is called the Tag Phase and is 16 bits long. The other 12 time slots are called the Data Phase. The Tag Phase contains one bit that identifies a valid frame and 12 bits that identify the time slots in the Data Phase that contain valid data. Each time slot in the Data Phase is 20 bits long. A frame begins when SYNC goes high. The amount of time that SYNC is high corresponds to the Tag Phase. AC97 frames occur at fixed 48 kHz intervals and are synchronous to the 12.288 MHz bit rate clock, BITCLK. The controller and the Codec use the SYNC and BITCLK to determine when to send transmit data and when to sample received data. A transmitter transitions the serial data stream on each rising edge of BITCLK and a receiver samples the serial data stream on falling edges of BITCLK. The transmitter must tag the valid slots in its serial data stream. The valid slots are tagged in slot 0. Serial data on the AC-link is ordered most significant bit (MSB) to least significant bit (LSB). The Tag Phase's first bit is bit 15 and the first bit of each slot in Data Phase is bit 19. The last bit in any slot is bit 0.

4.1 AC-LINK OUTPUT FRAME (SDATA_OUT)

Slot 0: Tag Phase

In slot 0, the first bit is a bit (SDATA_OUT, bit 15) which represents the validity of the entire frame. If bit 15 is a 1, the current frame contains at least a valid time slot. The next 12 bit positions correspond each 12 time slot contains valid data. Bits 0 and 1 of slot 0 are used as CODEC IO bits for I/O reads and writes to the CODEC registers as described in the next section. In this way, data streams of differing sample rate can be transmitted across AC-link at its fixed 48kHz audio frame rate.

Slot 1: Command Address Port

In slot 1, it communicates control register address and write/read command information to the AC97 controller. When software accesses the primary CODEC, the hardware configures the frame as follows :

- In slot 0, the valid bit for 1, 2 slots are set.
- In slot 1, bit 19 is set (read) or clear(write). Bits 18-12 (of slot 1) are configured to specify the index to the CODEC register. Others are filled with 0's(reserved).
- In slot 2, it configured with the data which is for writing because of output frame.

Slot 2: Command Data Port

In slot 2, this is the write data with 16-bit resolution.([19:4] is valid data)

Slot 3: PCM Playback Left channel

Slot 3 which is audio output frame is the composite digital audio left stream. If a sample has a resolution that is less than 16 bits, the AC97 controller fills all training non-valid bit positions in the slot with zeroes.

Slot 4: PCM Playback Right channel

Slot 4 which is audio output frame is the composite digital audio right stream. If a sample has a resolution that is less than 16 bits, the AC97 controller fills all training non-valid bit positions in the slot with zeroes.

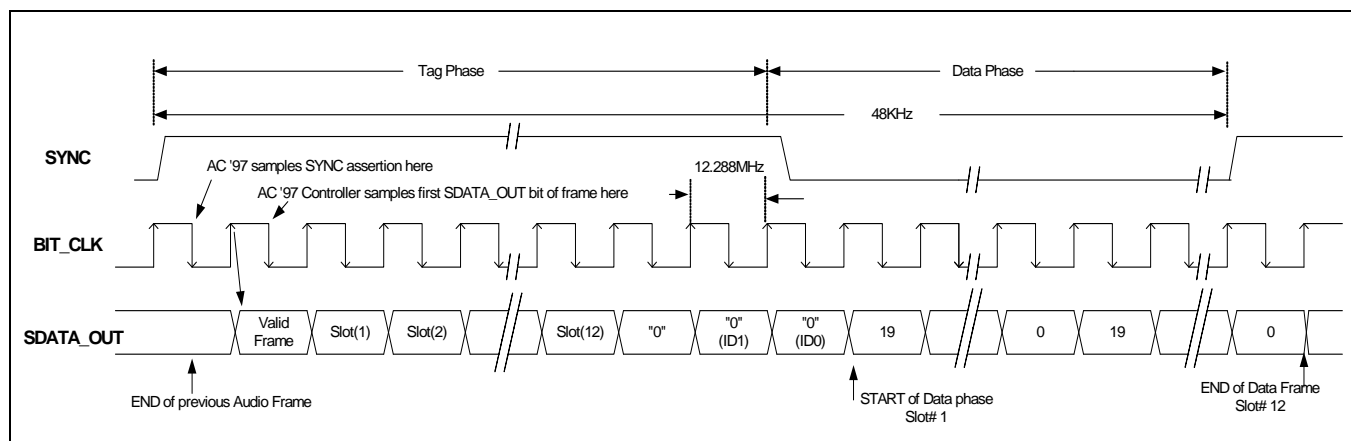


Figure 24-5. AC-link Output Frame

4.2 AC-LINK INPUT FRAME (SDATA_IN)

Slot 0: Tag Phase

In slot 0, the first bit is a bit (SDATA_OUT, bit 15) that indicates whether the AC97 controller is in the CODEC ready state. If the CODEC Ready bit is a 0, the AC97 controller is not ready for normal operation. This condition is normal after the power is de-asserted on reset and the AC97 controller voltage references are settling.

Slot 1: Status Address Port/SLOTREQ bits

The status port monitors the status for the AC97 controller functions including, but not limited to, mixer settings and power management. Audio input frame slot 1s stream echoes the control register index for the data to be returned in slot 2, if the controller tags slots 1 and 2 as valid during slot 0. The controller only accepts status data if the accompanying status address matches the last valid command address issued during the most recent read command. For multiple sample rate output, the CODEC examines its sample-rate control registers, its FIFOs' states, and the incoming SDATA_OUT tag bits at the beginning of each audio output frame to determine which SLOTREQ bits to set active (low). SLOTREQ bits asserted during the current audio input frame indicate which output slots require data from the controller in the next audio output frame. For fixed 48 kHz operation, the SLOTREQ bits are set active (low), and a sample is transferred each frame. For multiple sample-rate input, the "tag" bit for each input slot indicates whether valid data is present.

Table 24-1. Input Slot 1 Bit Definitions

Bit	Description
19	RESERVED (Filled with zero)
18-12	Control register index (Filled with zeroes if AC97 tags is invalid)
11	Slot 3 request : PCM Left channel
10	Slot 4 request : PCM Right channel
9	Slot 5 request : NA
8	Slot 6 request : MIC channel
7	Slot 7 request : NA
6	Slot 8 request : NA
5	Slot 9 request : NA
4	Slot 10 request : NA
3	Slot 11 request : NA
2	Slot 12 request : NA
1, 0	RESERVED (Filled with zero)

Slot 2: Status Data Port

In slot 2, this is the status data with 16-bit resolution.([19:4] is valid data)

Slot 3: PCM Record Left channel

Slot 3 which is audio input frame is the left channel audio output of the AC97 Codec. If a sample has a resolution that is less than 16 bits, the AC97 Codec fills all training non-valid bit positions in the slot with zeroes.

Slot 4: PCM Right channel audio

Slot 4 which is audio input frame is the right channel audio output of the AC97 Codec. If a sample has a resolution that is less than 16 bits, the AC97 Codec fills all training non-valid bit positions in the slot with zeroes.

Slot 6: Microphone Record Data

The AC97 Controller only supports 16-bit resolution for the MIC-in channel.

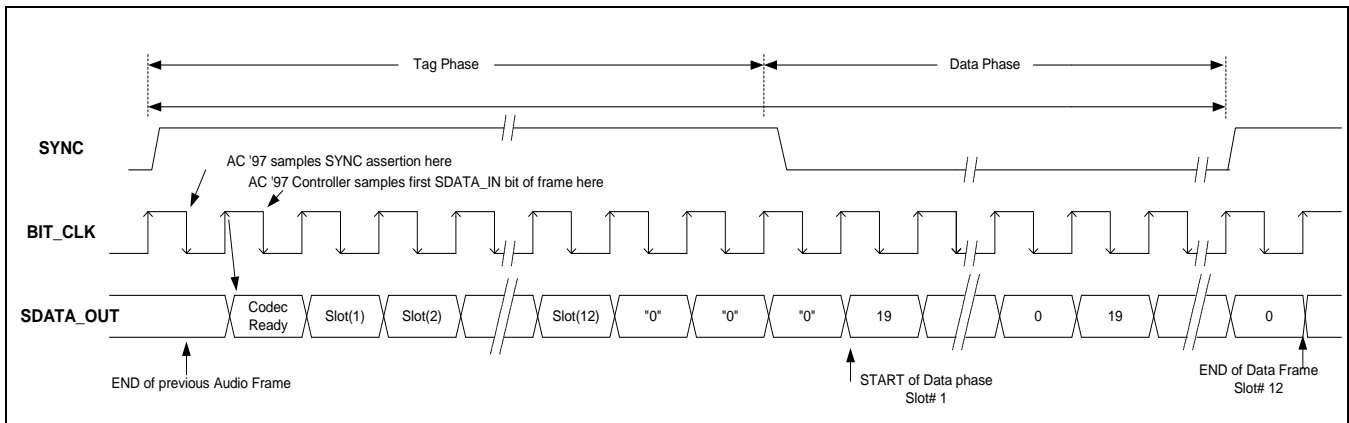


Figure 24-6. AC-link Input Frame

5 AC97 POWER-DOWN

For details, please refer the AC-Link Power Management part of AC97 revision 2.0 specification.

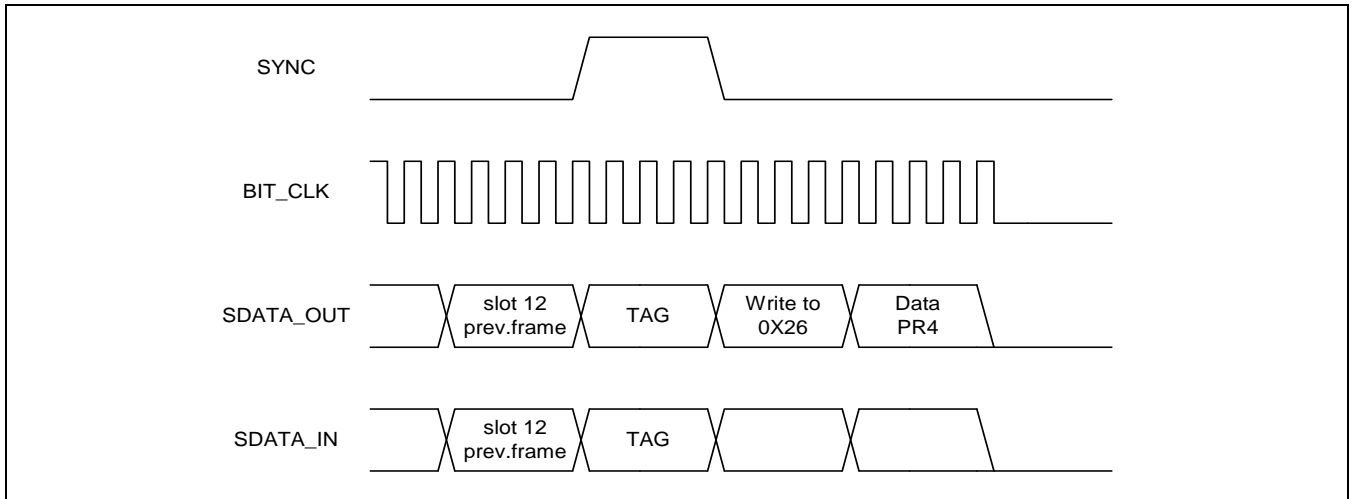


Figure 24-7. AC97 Power-down Timing

5.1.1 Powering Down the AC-link

The AC-link signals enter a low power mode when the AC97 Codec Power-down register (0x26) bit PR4 is set to a 1 (by writing 0x1000). Then the Primary Codec drives both BITCLK and SDATA_IN to a logic low voltage level. The sequence follows the timing diagram shown in Figure 24-7.

The AC97 Controller transmits the write to Power-down register (0x26) over the AC-link. Set up the AC97 Controller so that it does not transmit data to slots 3-12 when it writes to the Power-down register bit PR4 (data 0x1000), and it does not require the Codec to process other data when it receives a power down request. When the Codec processes the request it immediately transitions BITCLK and SDATA_IN to a logic low level. The AC97 Controller drives SYNC and SDATA_OUT to a logic low level after programming the AC_GLBCTRL register.

5.1.2 Waking up the AC-link - Wake Up Triggered by the AC97 Controller

AC-link protocol provides for a cold AC97 reset and a warm AC97 reset. The current power-down state ultimately dictates which AC97 reset is used. Registers must stay in the same state during all power-down modes unless a cold AC97 reset is performed. In a cold AC97 reset, the AC97 registers are initialized to their default values. After a power down, the AC-link must wait for a minimum of four audio frame times after the frame in which the power down occurred before it can be reactivated by reasserting the SYNC signal. When AC-link powers up, it indicates readiness through the Codec ready bit (input slot 0, bit 15).

6 CODEC RESET

For details, please refer the CODEC Reset part of AC97 revision 2.0 specification.

6.1.1 Cold AC97 Reset

A cold reset is generated when the nRESET pin is asserted through the AC_GLBCTRL. Asserting and deasserting nRESET activates BITCLK and SDATA_OUT. All AC97 control registers are initialized to their default power on reset values. nRESET is an asynchronous AC97 input.

6.1.2 Warm AC97 Reset

A Warm AC97 reset reactivates the AC-link without altering the current AC97 register values. A warm reset is generated when BITCLK is absent and SYNC is driven high. In normal audio frames, SYNC is a synchronous AC97 input. When BITCLK is absent, SYNC is treated as an asynchronous input used to generate a warm reset to AC97. The AC97 Controller must not activate BITCLK until it samples SYNC low again. This prevents a new audio frame from being falsely detected.

7 AC97 CONTROLLER STATE DIAGRAM

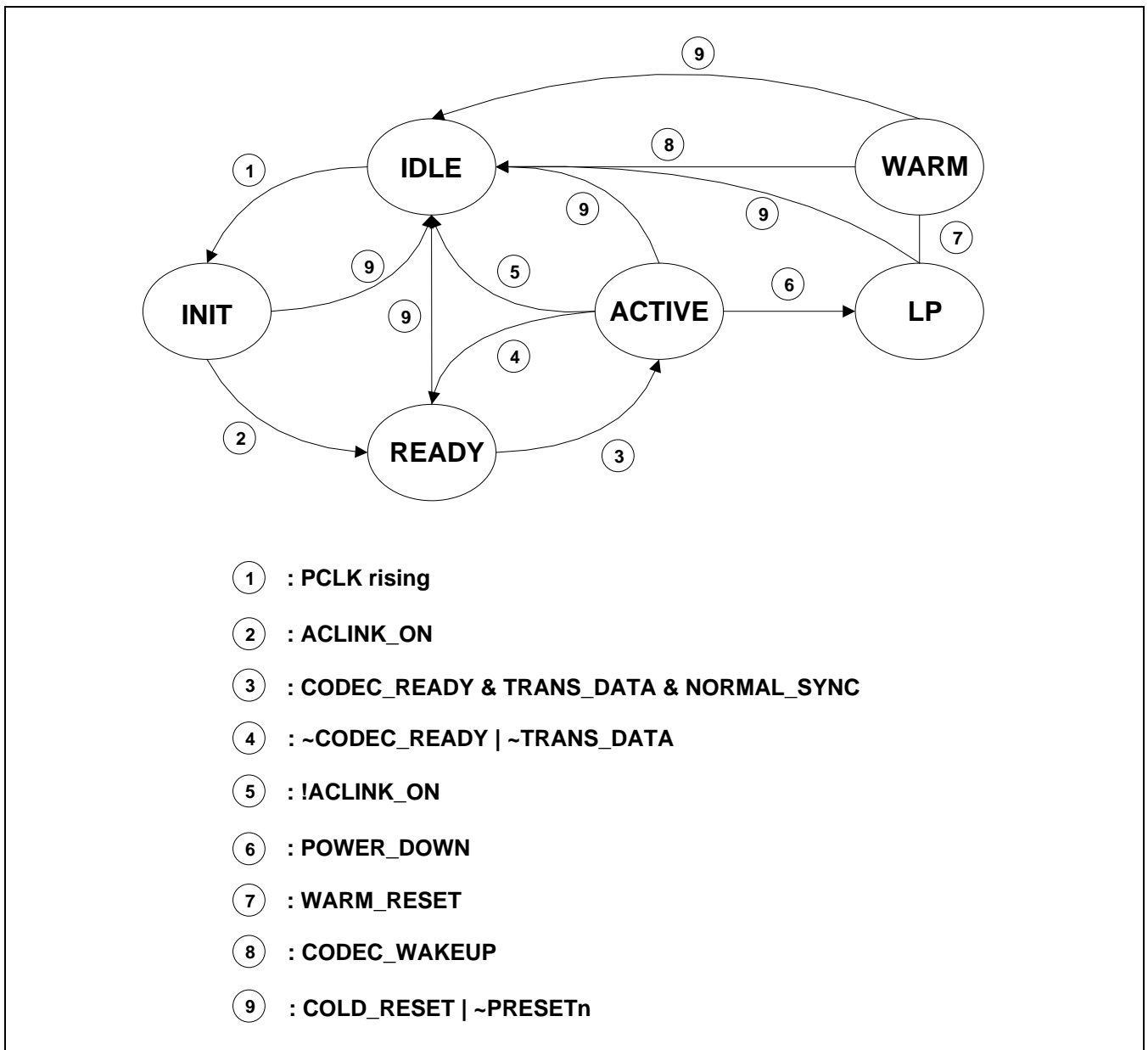


Figure 24-9. AC97 State Diagram

This is the state diagram of AC97 controller. It is helpful to understand AC97 controller state machine. State above figure is synchronized by peripheral clock (PCLK). It is able to monitor state at AC_GLBSTAT register.

8 AC97 CONTROLLER SPECIAL REGISTERS

8.1 AC97 SPECIAL FUNCION REGISTER SUMMARY

Register	Address	R/W	Description	Reset Value
AC_GLBCTRL	0x5B000000	R/W	AC97 Global Control Register	0x00000000
AC_GLBSTAT	0x5B000004	R	AC97 Global Status Register	0x00000001
AC_CODEC_CMD	0x5B000008	R/W	AC97 Codec Command Register	0x00000000
AC_CODEC_STAT	0x5B00000C	R	AC97 Codec Status Register	0x00000000
AC_PCMADDR	0x5B000010	R	AC97 PCM Out/In Channel FIFO Address Register	0x00000000
AC_MICADDR	0x5B000014	R	AC97 MIC In Channel FIFO Address Register	0x00000000
AC_PCMDATA	0x5B000018	R/W	AC97 PCM Out/In Channel FIFO Data Register	0x00000000
AC_MICDATA	0x5B00001C	R	AC97 MIC In Channel FIFO Data Register	0x00000000

8.2 AC97 GLOBAL CONTROL REGISTER (AC_GLBCTRL)

This is the global register of the AC97 controller. There are interrupt control registers, DMA control registers, AC-Link control register, data transmission control register and related reset control register.

Register	Address	R/W	Description	Reset Value
AC_GLBCTRL	0x5B000000	R/W	AC97 Global Control Register	0x000000

AC_GLBCTRL	Bit	Description	Initial State
-	[31:23]	Reserved.	0
Codec ready interrupt enable	[22]	0 = Disable 1 = Enable	0
PCM out channel underrun interrupt enable	[21]	0 = Disable 1 = Enable (FIFO is empty)	0
PCM in channel overrun interrupt enable	[20]	0 = Disable 1 = Enable (FIFO is full)	0
Mic in channel overrun interrupt enable	[19]	0 = Disable 1 = Enable (FIFO is full)	0
PCM out channel threshold interrupt enable	[18]	0 = Disable 1 = Enable (FIFO is half empty)	0
PCM in channel threshold interrupt enable	[17]	0 = Disable 1 = Enable (FIFO is half full)	0
MIC in channel threshold interrupt enable	[16]	0 = Disable 1 = Enable (FIFO is half full)	0
-	[15:14]	Reserved.	00
PCM out channel transfer mode	[13:12]	00 = Off 01 = PIO 10 = DMA 11 = Reserved	00
PCM in channel transfer mode	[11:10]	00 = Off 01 = PIO 10 = DMA 11 = Reserved	00
MIC in channel transfer mode	[9:8]	00 = Off 01 = PIO 10 = DMA 11 = Reserved	00
-	[7:4]	Reserved.	0000
Transfer data enable using AC-link	[3]	0 = Disable 1 = Enable	0
AC-Link on	[2]	0 = Off 1 = SYNC signal transfer to Codec	0
Warm reset	[1]	0 = Normal 1 = Wake up codec from power down	0
Cold reset	[0]	0 = Normal (note 2) 1 = Reset Codec and Controller Registers (note 1)	0

NOTES:

1. During Cold reset, writing to any AC97 Registers will not be affected.
2. When recovering from Cold reset, writing to any AC97 Registers will not be affected.
Example: For consecutive Cold reset and Warm reset, first set AC_GLBCTRL=0x1 then set AC_GLBCTRL=0x0.
After recovering from cold reset set AC_GLBCTRL=0x2 then AC_GLBCTRL=0x0.

8.3 AC97 GLOBAL STATUS REGISTER (AC_GLBSTAT)

This is the status register. When the interrupt is occurred, you can check what the interrupt source is.

Register	Address	R/W	Description	Reset Value
AC_GLBSTAT	0x5B000004	R	AC97 Global Status Register	0x00000001

AC_GLBSTAT	Bit	Description			Initial State
-	[31:23]	Reserved.			0x00
Codec ready interrupt	[22]	0 = Not requested	1 = Requested		0
PCM out channel underrun interrupt	[21]	0 = Not requested	1 = Requested		0
PCM in channel overrun interrupt	[20]	0 = Not requested	1 = Requested		0
MIC in channel overrun interrupt	[19]	0 = Not requested	1 = Requested		0
PCM out channel threshold interrupt	[18]	0 = Not requested	1 = Requested		0
PCM in channel threshold interrupt	[17]	0 = Not requested	1 = Requested		0
MIC in channel threshold interrupt	[16]	0 = Not requested	1 = Requested		0
-	[15:3]	Reserved.			0x000
Controller main state	[2:0]	000 = Idle 011 = Active	001 = Init 100 = LP	010 = Ready 101 = Warm	001

8.4 AC97 CODEC COMMAND REGISTER (AC_CODEC_CMD)

When you control writing or reading, you must set the Read enable bit, If you want to write data to the AC97 Codec, you set the index(or address) of the AC97 Codec and data.

Register	Address	R/W	Description	Reset Value
AC_CODEC_CMD	0x5B000008	R/W	AC97 Codec Command Register	0x00000000

AC_CODEC_CMD	Bit	Description			Initial State
-	[31:24]	Reserved			0x00
Read enable	[23]	0 = Command write ^(note) 1 = Status read			0
Address	[22:16]	Codec command address			0x00
Data	[15:0]	Codec command data			0x0000

NOTE: When the commands are written on the AC_CODEC_CMD register, It is recommended that the delay time between the command and the next command is more than 1 / 48kHz.

8.5 AC97 CODEC STATUS REGISTER (AC_CODEC_STAT)

If the Read enable bit is 1 and Codec command address is valid, Codec status data is also valid.

Register	Address	R/W	Description	Reset Value
AC_CODEC_STAT	0x5B00000C	R	AC97 Codec Status Register	0x00000000

AC_CODEC_STAT	Bit	Description	Initial State
-	[31:23]	Reserved.	0x00
Address	[22:16]	Codec status address	0x00
Data	[15:0]	Codec status data	0x0000

NOTES: If you want to read data from AC97 codec register via the AC_CODEC_STAT register, you should follow the steps.

1. Write command address and data on the AC_CODEC_CMD register with Bit[23] =1.
2. Have a delay time.
3. Read command address and data from AC_CODEC_STAT register.

8.6 AC97 PCM OUT/IN CHANNEL FIFO ADDRESS REGISTER (AC_PCMADDR)

To index the internal PCM FIFOs address.

Register	Address	R/W	Description	Reset Value
AC_PCMADDR	0x5B000010	R	AC97 PCM Out/In Channel FIFO Address Register	0x00000000

AC_PCMADDR	Bit	Description	Initial State
-	[31:28]	Reserved.	0000
Out read address	[27:24]	PCM out channel FIFO read address	0000
-	[23:20]	Reserved.	0000
In read address	[19:16]	PCM in channel FIFO read address	0000
-	[15:12]	Reserved.	0000
Out write address	[11:8]	PCM out channel FIFO write address	0000
-	[7:4]	Reserved.	0000
In write address	[3:0]	PCM in channel FIFO write address	0000

8.7 AC97 MIC IN CHANNEL FIFO ADDRESS REGISTER (AC_MICADDR)

To index the internal MIC-in FIFO address.

Register	Address	R/W	Description	Reset Value
AC_MICADDR	0x5B000014	R	AC97 MIC In Channel FIFO Address Register	0x00000000

AC_MICADDR	Bit	Description	Initial State
-	[31:20]	Reserved.	0000
Read address	[19:16]	MIC in channel FIFO read address	0000
-	[15:4]	Reserved.	0x000
Write address	[3:0]	MIC in channel FIFO write address	0000

8.8 AC97 PCM OUT/IN CHANNEL FIFO DATA REGISTER (AC_PCMDATA)

This is PCM out/in channel FIFO data register.

Register	Address	R/W	Description	Reset Value
AC_PCMDATA	0x5B000018	R/W	AC97 PCM Out/In Channel FIFO Data Register	0x00000000

AC_PCMDATA	Bit	Description	Initial State
Right data	[31:16]	PCM out/in right channel FIFO data Read = PCM in right channel Write = PCM out right channel	0x0000
Left data	[15:0]	PCM out/in left channel FIFO data Read = PCM in left channel Write = PCM out left channel	0x0000

8.9 AC97 MIC IN CHANNEL FIFO DATA REGISTER (AC_MICDATA)

This is MIC-in channel FIFO data register.

Register	Address	R/W	Description	Reset Value
AC_MICDATA	0x5B00001C	R	AC97 MIC In Channel FIFO Data Register	0x00000000

AC_MICDATA	Bit	Description	Initial State
-	[31:16]	Reserved	0x0000
Mono data	[15:0]	MIC in mono channel FIFO data	0x0000

25

PCM AUDIO INTERFACE

1 OVERVIEW

The S3C2416 has one port of PCM Audio Interface. The PCM Audio Interface module provides PCM bi-directional serial interface to an external Codec.

1.1 FEATURE

- Mono, 16bit PCM, 1 port audio interface.
- Master mode only, this block always sources the main serial clock
- The sources of PCM clock are based on an internal PCLK or an External Clock
- Input (16bit 32depth) and output(16bit 32depth) FIFOs to buffer data
- DMA interface for Tx and/or Rx

1.2 SIGNALS

Name	Direction	Description
PCM_SCLK	Output	Serial shift clock
PCM_FSYNC	Output	Serial data indicator and synchronizer
PCM_SDI	Output	Serial PCM input data
PCM_SDO	Output	Serial PCM output data
PCM_CDCLK	Input	Optional External Clock source

2 PCM AUDIO INTERFACE

The PCM Audio Interface provides a serial interface to an external Codec. The PCM module receives an input PCMSOURCE_CLK that is used to generate the serial shift timing. The PCM interface outputs a serial data out, a serial shift clock, and a sync signal. Data is received from the external Codec over a serial input line. All the serial data in, serial data out, and sync signal are synchronized to the serial shift clock.

The serial shift clock, PCMSCLK, is generated from a programmable divide of the input PCMSOURCE_CLK. The sync signal, PCMFSYNC, is generated based upon a programmable number of serial clocks and is one serial data clock wide.

The PCM data words are 16-bits wide and serially shifted out 1-bit per PCMSCLK. Only one 16-bit word is shifted out for each PCMFSYNC. The PCMSCLK will continue to toggle even after all 16-bits have been shifted out. The PCMSOUT data will be a undefined after the 16-bit word has completed. The next PCMFSYNC will signal the start of the next PCM data word.

The TX FIFO provides the 16-bit data word to be serially shifted out. This data is serially shifted out MSB first, one bit per PCMSCLK. The PCM serial output data, PCMSOUT, is clocked out using the rising edge of the PCMSCLK. The MSB bit position relative to the PCMFSYNC is programmable to be either coincident with the PCMFSYNC or one PCMSCLK later. After all 16-bits have been shifted out, an interrupt can optionally be generated indicating the end of the transfer.

When the data is being shifted out, the PCMSIN input is used to serially shift data in from the external codec. The data is received MSB first and is clocked in the falling edge of PCMSCLK. The position of the first bit is programmable to be coincident with the PCMFSYNC or one PCMSCLK later.

The first 16-bits are serially shifted into the PCM_DATAIN register which is later loaded into the RX FIFO. Subsequent bits are ignored until the next PCMFSYNC.

Various Interrupts are available to indicate the status of the RX and TX FIFO. Each FIFO has a programmable flag to indicate when the CPU needs to service the FIFO. For the RX FIFO there is an interrupt which will be raised when the FIFO exceeds a certain programmable almost_full depth. Similarly there is a programmable almost_empty interrupt for the TX FIFO.

3 PCM TIMING

The following figures show the timing relationship for the PCM transfers.

Figure 25-1 shows a PCM transfer with the MSB configured to be coincident with the PCMFSYNC. This MSB positioning corresponds to setting the TX_MSB_POS and RX_MSB_POS bits in PCMCTL register to be 0.

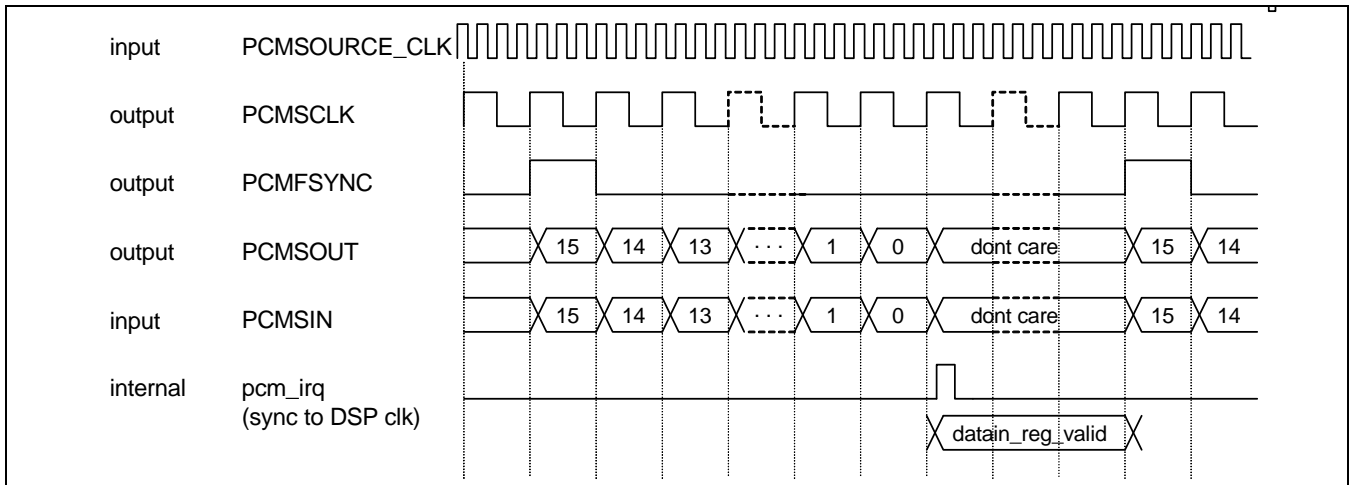


Figure 25-1. PCM timing, TX_MSB_POS / RX_MSB_POS = 0

Figure 25-2 shows a PCM transfer with the MSB configured one shift clock after the PCMFSYNC. This MSB positioning corresponds to setting the TX_MSB_POS and RX_MSB_POS bits in PCMCTL register to be 1.

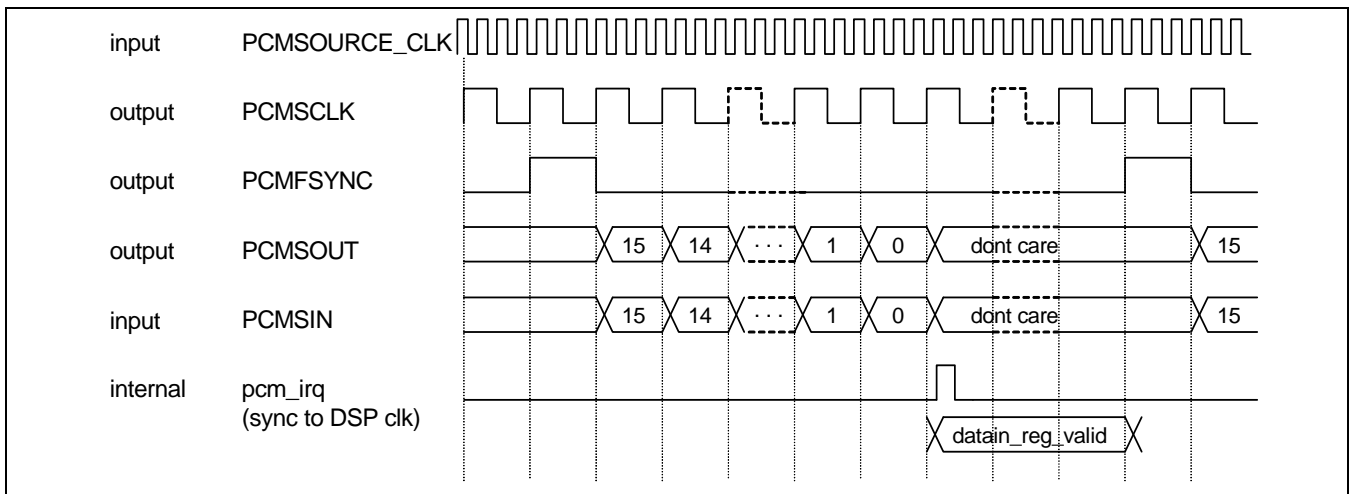


Figure 25-2. PCM timing, TX_MSB_POS / RX_MSB_POS = 1

NOTE

In all cases, the PCM shift timing is derived by dividing the input clock, PCMSOURCE_CLK. While the timing is based upon the PCMSOURCE_CLK, there is no attempt to realign the rising edge of the output PCMSCLK with the original PCMSOURCE_CLK input clock. These edges will be skewed by internal delay through the pads as well as the divider logic. This does not represent a problem because the actual shift clock, PCMSCLK, is output with the data. Furthermore, even if the PCMSCLK output is not used, the skew will be significantly less than the period of the PCMSOURCE_CLK and should not represent a problem since most PCM interfaces capture data on the falling edge of the clock.

3.1 PCM INPUT CLOCK DIAGRAM

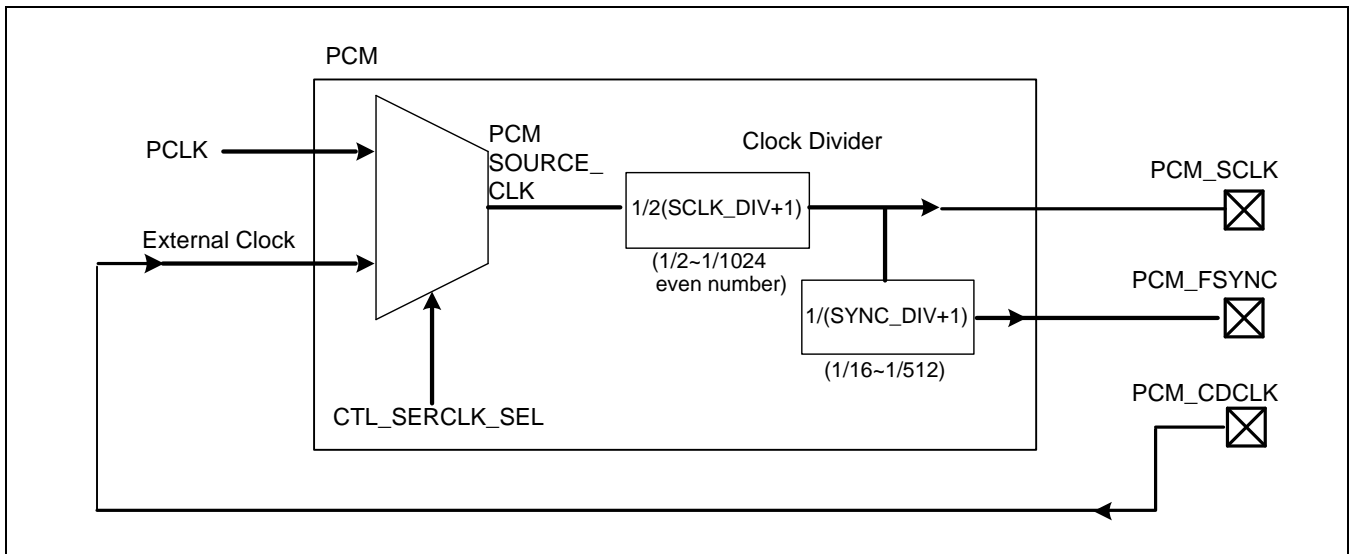


Figure 25-3. Input Clock Diagram for PCM

S3C2416 PCM is able to select clock either PCLK or External Clock. Refer figure 25-3. To enable clock gating, please refer to the SYSCON part(SCLKCON, PCLKCON).

3.2 PCM REGISTERS

There are 8 control registers. The details of those registers are as follows.

3.3 PCM REGISTER SUMMARY

Register	Address	R/W	Description	Reset Value
PCM_CTL	0x5C000000	R/W	PCM Main Control	0x00000000
PCM_CLKCTL	0x5C000004	R/W	PCM Clock and Shift control	0x00000000
PCM_TXFIFO	0x5C000008	R/W	PCM TxFIFO write port	0x00010000
PCM_RXFIFO	0x5C00000C	R/W	PCM RxFIFO read port	0x00010000
PCM_IRQ_CTL	0x5C000010	R/W	PCM Interrupt Control	0x00000000
PCM_IRQ_STAT	0x5C000014	R	PCM Interrupt Status	0x00000000
PCM_FIFO_STAT	0x5C000018	R	PCM FIFO Status	0x00000000
PCM_CLRINT	0x5C000020	W	PCM INTERRUPT CLEAR	0x00000000

3.4 PCM CONTROL REGISTER

The PCM_CTL register is used to control the various aspects of the PCM module. It also provides a status bit to provide the option to using polling instead of interrupt based control.

Register	Address	R/W	Description	Reset Value
PCM_CTL	0x5C000000	R/W	Control the PCM Audio Interface	0x00000000

The bit definitions for the PCM_CTL Control Register are shown below:

PCM_CTL	Bit	Description	Initial State
Reserved	[31:19]	Reserved	
TXFIFO_DIPSTICK	[18:13]	<p>Determines when the almost_full, almost_empty flags go active for the TXFIFO</p> <p>TXFIFO_ALMOST_EMPTY: txfifo_depth < txfifo_dipstick TXFIFO_ALMOST_FULL: txfifo_depth > (32 – txfifo_dipstick)</p> <p>Note:</p> <ul style="list-style-type: none"> - If txfifo_dipstick is 0, Almost_empty, Almost_full are invalid - For DMA loading of TX fifo, Txfifo_dipstick should be equal to 2 or greater than 2 (txfifo_dipstick >= 2) <p>This is required since the PCM_TXDMA uses TXFIFO_ALMOST_FULL as the DMA request (keep requesting data until the FIFO is almost full) In some circumstances, the DMA write one more word after the DMA_req goes away. Thus the almost_full flag must go active with at least space for one extra word in the fifo</p>	0
RXFIFO_DIPSTICK	[12:7]	<p>Determines when the almost_full, almost_empty flags go active for the RXFIFO</p> <p>RXFIFO_ALMOST_EMPTY : fifo_depth < fifo_dipstick RXFIFO_ALMOST_FULL : fifo_depth > (32 – fifo_dipstick)</p> <p>Note:</p> <ul style="list-style-type: none"> - If fifo_dipstick is 0, Almost_empty, Almost_full are invalid. - For DMA, RXFIFO_DIPSTICK is a don't care. (DMA unloading of RX fifo uses the RXFIFO_EMPTY flag as the DMA request) - Non-DMA IRQ/polling RXFIFO_DIPSTICK should be 32. This will have the effect of RXFIFO_ALMOST_FULL acting as a rx_fifo_not_empty flag (as a not RXFIFO_EMPTY). 	0
PCM_TX_DMA_EN	[6]	<p>Enable the DMA interface for the TXFIFO DMA must operate in the demand mode.</p> <p>DMA_TX request will occur whenever the TXFIFO is not almost full</p>	0
PCM_RX_DMA_EN	[5]	<p>Enable the DMA interface for the RXFIFO DMA must operate in the demand mode.</p> <p>DMA_RX request will occur whenever the RXFIFO is not empty.</p>	0

PCM_CTL	Bit	Description	Initial State
TX_MSB_POS	[4]	Controls the position of the MSB bit in the serial output stream relative to the PCMFSYNC signal 0 = MSB sent during the same clock that PCMFSYNC is high 1 = MSB sent on the next PCMSCLK cycle after PCMFSYNC is high	0
RX_MSB_POS	[3]	Controls the position of the MSB bit in the serial input stream relative to the PCMFSYNC signal 0 = MSB is captured on the falling edge of PCMSCLK during the same cycle that PCMFSYNC is high 1 = MSB is captured on the falling edge of PCMSCLK during the cycle after the PCMFSYNC is high	0
PCM_TXFIFO_EN	[2]	Enable the TXFIFO (note 1)	0
PCM_RXFIFO_EN	[1]	Enable the RXFIFO (note 1)	0
PCM_PCM_ENABLE	[0]	PCM enable signal. 1 = Enables the serial shift state machines. (note 2) The enable must be set HIGH for the PCM to operate. 0 = The PCMSOUT will not toggle. The internal divider-counters (serial shift register's counter) are held in reset. (note 3)	0

NOTES:

- To flush FIFO, first set PCM_TX/RXFIFO_EN =0x0 then set PCM_TX/RXFIFO_EN =0x1.
- To Start PCM operation please refer the following steps
 - PCM_TXFIFO_EN=0x1;
 - PCM_TX_DMA_EN=0x1;
 - wait until fifo full
 - CTL_SERCLK_EN =0x1;
 - PCM_PCM_ENABLE = 0x1;
- To pause PCM operation, with CTL_SERCLK_EN = 0x0, PCM_PCM_ENABLE bit should be set to zero.

3.5 PCM CLK CONTROL REGISTER

Register	Address	R/W	Description	Reset Value
PCM_CLKCTL	0x5C000004	R/W	Control the PCM Audio Interface	0x00000000

The bit definitions for the PCM_CTL Control Register are shown below:

PCM_CLKCTL	Bit	Description	Initial State
Reserved	[31:20]	Reserved	
CTL_SERCLK_EN	[19]	Enable the serial clock division logic. Must be HIGH for the PCM to operate (if it is high, PCMSCLK and PCMFSYNC is operated.) 1)	0
CTL_SERCLK_SEL	[18]	Select the source of the PCMSOURCE_CLK 0 = External clock 1 = PCLK	0
SCLK_DIV	[17:9]	Controls the divider used to create the PCMSCLK based on the PCMSOURCE_CLK. (1/2~1/1024) PCMSLCK will be $PCMSOURCE_CLK / 2*(SCLK_DIV+1)$	000
SYNC_DIV	[8:0]	Controls the frequency of the PCMFSYNC signal based on the PCMSCLK. (1/1~1/512) Freq. of PCMFSYNC = Freq. of PCMSCLK/(SYNC_DIV+1)	000

NOTE: For correct functioning of PCM pause and continue, please refer following steps.

To Pause PCM operation, first set CTL_SERCLK_EN = 0x0, then set PCM_PCM_ENABLE =0x0.

To continue PCM operation, first set CTL_SERCLK_EN = 0x1, then set PCM_PCM_ENABLE =0x1.

3.6 THE PCM TX FIFO REGISTER

Register	Address	R/W	Description	Reset Value
PCM_TXFIFO	0x5C000008	R/W	PCM interface Transmit FIFO data register	0x00010000

The bit definitions for the PCM_TXFIFO Register are shown below:

PCM_TXFIFO	Bit	Description	Initial State
Reserved	[31:17]	Reserved	
TXFIFO_DVALID	[16]	TXFIFO data is valid Write: don't care Read: TXFIFO read data valid 1 = Valid 0 = Invalid (probably read an empty fifo)	1
TXFIFO_DATA	[15:0]	Write: Write PCM data to TXFIFO Note: The TXFIFO is read by the PCM serial shift engine Read: Read PCM data from TXFIFO for supporting debug TXFIFO	0

3.7 PCM RX FIFO REGISTER

Register	Address	R/W	Description	Reset Value
PCM_RXFIFO	0x5C00000C	R/W	PCM interface Receive FIFO data register	0x00010000

The bit definitions for the PCM_RXFIFO Register are shown below:

PCM_RXFIFO	Bit	Description	Initial State
Reserved	[31:17]	Reserved	
RXFIFO_DVALID	[16]	RXFIFO data is valid Write: don't care Read: TXFIFO read data valid 1 = Valid 0 = Invalid (probably read an empty fifo)	1
RXFIFO_DATA	[15:0]	Write: Write PCM data to RXFIFO for debugging RXFIFO Read: Read PCM data from RXFIFO Note: The RXFIFO is written by the PCM serial shift engine	0

3.8 PCM INTERRUPT CONTROL REGISTER

The PCM_IRQ_CTL register is used to control the various aspects of the PCM interrupts.

Register	Address	R/W	Description	Reset Value
PCM_IRQ_CTL	0x5C000010	R/W	Control the PCM Interrupts	0x00000000

The bit definitions for the PCM_IRQ_CTL Control Register are shown below:

PCM_IRQ_CTL	Bit	Description	Initial State
Reserved	[31:15]	Reserved	
EN_IRQ_TO_ARM	[14]	Controls whether the PCM interrupt is sent to the ARM or not 1: PCM IRQ is forwarded to the ARM subsystem 0: PCM IRQ is NOT forwarded to the ARM subsystem	0
Reserved	[13]	Reserved	0
TRANSFER_DONE	[12]	Interrupt is generated every time the serial shift for a 16bit PCM Data word completes 1: IRQ source enabled 0: IRQ source disabled	0
TXFIFO_EMPTY	[11]	Interrupt is generated whenever the TxFIFO is empty 1: IRQ source enabled 0: IRQ source disabled	0
TXFIFO_ALMOST_EMPTY	[10]	Interrupt is generated whenever the TxFIFO is ALMOST_EMPTY which is defined as TX_FIFO_DEPTH < TX_FIFO_DIPSTICK 1: IRQ source enabled 0: IRQ source disabled	0
TXFIFO_FULL	[9]	Interrupt is generated whenever the TxFIFO is full 1: IRQ source enabled 0: IRQ source disabled	0
TXFIFO_ALMOST_FULL	[8]	Interrupt is generated whenever the TxFIFO is ALMOST_FULL which is defined as TX_FIFO_DEPTH > (32 – TX_FIFO_DIPSTICK) 1: IRQ source enabled 0: IRQ source disabled	0

PCM_IRQ_CTL	Bit	Description	Initial State
TXFIFO_ERROR_STARVE	[7]	Interrupt is generated for TxFIFO starve ERROR. This occurs whenever the TxFIFO is read when it is still empty. This is considered an ERROR and will have unexpected results 1: IRQ source enabled 0: IRQ source disabled	0
TXFIFO_ERROR_OVERFLOW	[6]	Interrupt is generated for TxFIFO overflow ERROR. This occurs whenever the TxFIFO is written when it is already full. This is considered an ERROR and will have unexpected results 1: IRQ source enabled 0: IRQ source disabled	0
RXFIFO_EMPTY	[5]	Interrupt is generated whenever the RxFIFO is empty 1: IRQ source enabled 0: IRQ source disabled	0
RXFIFO_ALMOST_EMPTY	[4]	Interrupt is generated whenever the RxFIFO is ALMOST_EMPTY which is defined as $RX_FIFO_DEPTH < RX_FIFO_DIPSTICK$ 1: IRQ source enabled 0: IRQ source disabled	0
RX_FIFO_FULL	[3]	Interrupt is generated whenever the RxFIFO is full 1: IRQ source enabled 0: IRQ source disabled	0
RX_FIFO_ALMOST_FULL	[2]	Interrupt is generated whenever the RxFIFO is ALMOST_FULL which is defined as $RX_FIFO_DEPTH > (32 - RX_FIFO_DIPSTICK)$ 1: IRQ source enabled 0: IRQ source disabled	0
RXFIFO_ERROR_STARVE	[1]	Interrupt is generated for RxFIFO starve ERROR. This occurs whenever the RxFIFO is read when it is still empty. This is considered an ERROR and will have unexpected results 1: IRQ source enabled 0: IRQ source disabled	0

PCM_IRQ_CTL	Bit	Description	Initial State
RXFIFO_ERROR_ OVERFLOW	[0]	Interrupt is generated for RxFIFO overflow ERROR. This occurs whenever the RxFIFO is written when it is already full. This is considered an ERROR and will have unexpected results 1: IRQ source enabled 0: IRQ source disabled	0

3.9 PCM INTERRUPT STATUS REGISTER

The PCM_IRQ_STAT register is used to report IRQ status.

Register	Address	R/W	Description	Reset Value
PCM_IRQ_STAT	0x5C000014	R	PCM Interrupt Status	0x00000000

The bit definitions for the PCM_IRQ_STATUS Register are described below:

PCM_IRQ_STAT	Bit	Description	Initial State
Reserved	[31:14]	Reserved	
IRQ_PENDING	[13]	Monitoring PCM IRQ. 1 = PCM IRQ is occurred. 0 = PCM IRQ is not occurred.	0
TRANSFER_DONE	[12]	Interrupt is generated every time the serial shift for a word completes 1 = IRQ is occurred. 0 = IRQ is not occurred.	0
TXFIFO_EMPTY	[11]	Interrupt is generated whenever the TX FIFO is empty 1 = IRQ is occurred. 0 = IRQ is not occurred.	0
TXFIFO_ALMOST_EMPTY	[10]	Interrupt is generated whenever the TxFIFO is ALMOST empty. 1 = IRQ is occurred. 0 = IRQ is not occurred.	0
TXFIFO_FULL	[9]	Interrupt is generated whenever the TX FIFO is full 1 = IRQ is occurred. 0 = IRQ is not occurred.	0
TXFIFO_ALMOST_FULL	[8]	Interrupt is generated whenever the TX FIFO is ALMOST full. 1 = IRQ is occurred. 0 = IRQ is not occurred.	0
TXFIFO_ERROR_STARVE	[7]	Interrupt is generated for TX FIFO starve ERROR. This occurs whenever the TX FIFO is read when it is still empty. This is considered as an ERROR and will have unexpected results 1 = IRQ is occurred. 0 = IRQ is not occurred.	0
TXFIFO_ERROR_OVERFLOW	[6]	Interrupt is generated for TX FIFO overflow ERROR. This occurs whenever the TX FIFO is written when it is already full. This is considered as an ERROR and will have unexpected results 1 = IRQ is occurred. 0 = IRQ is not occurred.	0

PCM_IRQ_STAT	Bit	Description	Initial State
RXFIFO_EMPTY	[5]	Interrupt is generated whenever the RX FIFO is empty 1 = IRQ is occurred. 0 = IRQ is not occurred.	0
RXFIFO_ALMOST_EMPTY	[4]	Interrupt is generated whenever the RX FIFO is ALMOST empty. 1 = IRQ is occurred. 0 = IRQ is not occurred.	0
RX_FIFO_FULL	[3]	Interrupt is generated whenever the RX FIFO is full 1 = IRQ is occurred. 0 = IRQ is not occurred.	0
RX_FIFO_ALMOST_FULL	[2]	Interrupt is generated whenever the RX FIFO is ALMOST full. 1 = IRQ is occurred. 0 = IRQ is not occurred.	0
RXFIFO_ERROR_STARVE	[1]	Interrupt is generated for RX FIFO starve ERROR. This occurs whenever the RX FIFO is read when it is still empty. This is considered as an ERROR and will have unexpected results 1 = IRQ is occurred. 0 = IRQ is not occurred.	0
RXFIFO_ERROR_OVERFLOW	[0]	Interrupt is generated for RX FIFO overflow ERROR. This occurs whenever the RX FIFO is written when it is already full. This is considered as an ERROR and will have unexpected results 1 = IRQ is occurred. 0 = IRQ is not occurred.	0

NOTE: More than one interrupt sources(which was set by PCM_IRQ_CTL register) can cause interrupt, at same time(i.e, interrupt at PCM is OR-ed interrupt.) So in Interrupt Service Routine, user should check this register bits which you set as interrupt sources.

3.10 PCM FIFO STATUS REGISTER

The PCM_FIFO_STAT register is used to report FIFO status.

Register	Address	R/W	Description	Reset Value
PCM_FIFO_STAT	0x5C000018	R	PCM FIFO Status	0x00000000

The bit definitions for the PCM_FIFO_STATUS Register are shown below:

PCM_FIFO_STAT	Bit	Description	Initial State
Reserved	[31:20]	Reserved	
TXFIFO_COUNT	[19:14]	TX FIFO data count(0 ~ 32).	0
TXFIFO_EMPTY	[13]	1 = TXFIFO is empty 0 = TXFIFO is not empty	0
TXFIFO_ALMOST_EMPTY	[12]	1 = TXFIFO is ALMOST_EMPTY 0 = TXFIFO is not ALMOST_EMPTY	0
TXFIFO_FULL	[11]	1 = TXFIFO is full 0 = TXFIFO is not full	0
TXFIFO_ALMOST_FULL	[10]	1 = TXFIFO is ALMOST_FULL 0 = TXFIFO is not ALMOST_FULL	0
RXFIFO_COUNT	[9:4]	RX FIFO data count(0 ~ 32).	
RXFIFO_EMPTY	[3]	1 = RXFIFO is empty 0 = RXFIFO is not empty	0
RXFIFO_ALMOST_EMPTY	[2]	1 = RXFIFO is ALMOST_EMPTY 0 = RXFIFO is not ALMOST_EMPTY	0
RX_FIFO_FULL	[1]	1 = RXFIFO is full 0 = RXFIFO is not full	0
RX_FIFO_ALMOST_FULL	[0]	1 = RXFIFO is ALMOST_FULL 0 = RXFIFO is not ALMOST_FULL	0

3.11 PCM INTERRUPT CLEAR REGISTER

The PCM_CLRINT register is used to clear the interrupt. Interrupt service routine is responsible for clearing interrupt asserted. Writing any values on this register clears interrupts for ARM. Reading this register is not allowed. Clearing interrupt must be prior to resolving the interrupt condition, otherwise another interrupt that would occur after this interrupt may be ignored.

Register	Address	R/W	Description	Reset Value
PCM_CLRINT	0x5C000020	W	PCM INTERRUPT CLEAR	-

The bit definitions for the PCM_CLRINT Register are shown below:

PCM_CLRINT	Bit	Description	Initial State
Reserved	[31:1]	Reserved	0
CLRINT	[0]	Interrupt register clear	0

NOTES

26

ELECTRICAL DATA

1 ABSOLUTE MAXIMUM RATINGS

Table 26-1. Absolute Maximum Rating

Parameter	Symbol	Min	Max	Unit
DC Supply Voltage	VDDi, VDDiarm, VDDalive, VDDA_MPLL, VDDA_EPLL, VDDI_UDEV	-0.5	1.8	V
	VDD_OP1, VDD_OP2, VDD_OP3, VDD_RTC, VDD_SRAM, VDD_SD, VDDA_ADC, VDDA33x, VDD_USBOSC	-0.5	4.6	
	VDD_SDRAM	-0.5	3.6	
DC Input Voltage	V_{IN}	-0.5	3.6/4.8	
DC Output Voltage	V_{OUT}	-0.5	3.6/4.8	
DC Input Current	$I_{I/O}$		+/- 200	mA
Storage Temperature	T_{STG}		-65 to 150	°C

2 RECOMMENDED OPERATING CONDITIONS

Table 26-2. Recommended Operating Conditions (400 or 266MHz)

Parameter	Symbol	Min	Typ	Max	Unit
DC Supply Voltage for Alive Block	VDDalive	1.15	1.2	1.25	V
DC Supply Voltage for Core Block	ARMCLK / HCLK				
	400/133 or 266/133 MHz	VDDiarm VDDi VDDA_MPLL VDDA_EPLL	1.25	1.3	
DC Supply Voltage for I/O Block1	VDD_OP1**	1.7	1.8 / 2.5 / 3.3	3.6	
DC Supply Voltage for I/O Block2	VDD_OP2	1.7	1.8 / 2.5 / 3.3	3.6	
DC Supply Voltage for I/O Block3	VDD_OP3	1.7	1.8 / 2.5 / 3.3	3.6	
DC Supply Voltage for USBOSC PAD	VDD_USBOSC	1.7	1.8 / 2.5 / 3.3	3.6	
DC Supply Voltage for SRAM I/F	VDD_SRAM	1.7	1.8 / 2.5 / 3.3	3.6	
DC Supply Voltage for SDRAM I/F	VDD_SDRAM	1.7	1.8 / 2.5	2.7	
DC Supply Voltage for RTC	VDD_RTC	1.7	1.8 / 2.5 / 3.0	3.3	
DC Supply Voltage for SD/LCD	VDD_SD	1.7	1.8 / 2.5 / 3.3	3.6	
	VDD_LCD	1.7	1.8 / 2.5 / 3.3	3.6	
DC Supply Voltage for USB PHY 3.3V	VDDA33x	3.3-5%	3.3	3.3+5%	
DC Supply Voltage for USB PHY 1.2V	VDDI_UDEV	1.2-5%	1.2	1.2+5%	
DC Supply Voltage for ADC	VDDA_ADC	3.0	3.3	3.6	
DC Input Voltage	V _{IN}	3.0	3.3	3.6	
		2.3	2.5	2.7	
		1.7	1.8	1.95	
DC Output Voltage	V _{OUT}	3.0	3.3	3.6	
		2.3	2.5	2.7	
		1.7	1.8	1.95	
Operating Temperature	TA	Industrial	-40 to 85		°C
		Extended	-20 to 70		

NOTE: **If not use USB function, VDD_OP1 have a range from 2.3V to 3.6V.

3 D.C ELECTRICAL CHARACTERISTICS

Table 26-3. Normal I/O PAD DC Electrical Characteristics

$V_{DD} = 1.7V \sim 3.60V$, $V_{ext} = 3.0 \sim 5.5V$, $T_A = -40$ to $85^\circ C$

Parameter	Condition	Min	Typ	Max	Unit		
Vtol	VDD Power Off				3.6	V	
	Tolerant external voltage**	VDD Power On	VDD=3.3V		5.5	V	
			VDD=2.5V		5.5		
			VDD=1.8V		3.6		
Vih	High Level Input Voltage						
	LVC MOS Interface	0.7VDD		VDD+0.3	V		
Vil	Low Level Input Voltage						
	LVC MOS Interface	-0.3		0.3VDD	V		
ΔV	Hysteresis Voltage						
lih	High Level Input Current						
	Input Buffer	Vin=VDD	-10		10	μA	
	Tolerant Input Buffer**	Vin=Vext	-10		10	μA	
	Input Buffer with pull-down	Vin=VDD	VDD=3.3V	20	70	130	μA
			VDD=2.5V	10	40	80	
			VDD=1.8V	5	20	40	
	Tolerant Input Buffer with pull-up**	Vin=5V	VDD=3.3V	10	30	60	μA
Vin=3.3V		VDD=2.5V	6	16	50		
Vin=3.3V		VDD=1.8V	2	8	18		
lil	Low Level Input Current						
	Input Buffer	Vin=VSS	-10		10	μA	
	Input Buffer with pull-up	Vin=VSS	VDD=3.3V	-130	-70	-20	μA
			VDD=2.5V	-80	-40	-10	
VDD=1.8V			-40	-20	-5		
Voh	Type A,B,C	Ioh=-100 μA	VDD-0.2			V	
Vol	Type A,B,C	Iol=100 μA			0.2	V	
Ioz	Tri-State Output Leakage Current	Vout=VSS or VDD	-10		10	μA	
C _{IN}	Input capacitance	Any input and Bidirectional buffers			5	pF	
C _{OUT}	Output capacitance	Any output buffer			5	pF	

NOTE: **specification is only available on tolerant cells.

Driver Type A, B, C : Refer to DC currents table of output driver.

The specification is basically referred to JEDEC JESD8 standard and have extended interface voltage range of 1.7V~3.6V The specification can be changed depending on interface voltage

Table 26-4. Special Memory DDR I/O PAD DC Electrical Characteristics

 $V_{DD} = 1.7V \sim 2.7V$, $V_{ext} = 3.0 \sim 3.6V$, $T_A = -40$ to $85^\circ C$

Parameter	Condition		Min	Typ	Max	Unit	
Vtol	Tolerant external voltage**	VDD Power Off			2.7	V	
		VDD Power On	VDD=2.5V			3.6	V
			VDD=1.8V			3.6	
Vih	High Level Input Voltage						
	LVC MOS Interface		0.7VDD		VDD+0.3	V	
Vil	Low Level Input Voltage						
	LVC MOS Interface		-0.3		0.3VDD	V	
ΔV	Hysteresis Voltage		0.1VDD			V	
lih	High Level Input Current						
	Input Buffer	Vin=VDD	-10		10	μA	
	Tolerant Input Buffer**	Vin=Vext	-10		10	μA	
	Input Buffer with pull-down	Vin=VDD	VDD=2.5V	10	40	80	μA
			VDD=1.8V	5	20	40	
	Tolerant Input Buffer with pull-up**	Vin=3.3V	VDD=2.5V	3	10	40	μA
Vin=3.3V		VDD=1.8V	1	4	10		
lil	Low Level Input Current						
	Input Buffer	Vin=VSS	-10		10	μA	
	Input Buffer with pull-up	Vin=VSS	VDD=2.5V	-80	-40	-10	μA
			VDD=1.8V	-40	-20	-5	
Voh	Type A,B,C	loh=-100 μA	VDD-0.2			V	
Vol	Type A,B,C	loi=100 μA			0.2	V	
loz	Tri-State Output Leakage Current	Vout=VSS or VDD	-10		10	μA	
C _{IN}	Input capacitance	Any input and Bidirectional buffers			5	pF	
C _{OUT}	Output capacitance	Any output buffer			5	pF	

NOTE: **specification is only available on tolerant cells.

Driver Type A, B, C : Refer to DC currents table of output driver.

The specification is basically referred to JEDEC JESD8 standard and have extended interface voltage range of 1.7V~2.7V

The specification can be changed depending on interface voltage

Table 26-5. USB DC Electrical Characteristics

$V_{DD} = 3.0$ to $3.6V$; $GND = 0V$; $C_{load} = 2\mu F$; unless otherwise specified.

Symbol	Parameter	Conditions	Min	Typ	Max	Unit
V_{DD}	Supply voltage		3.0	3.3	3.6	V
V_{DI}	Differential input sensitivity		0.2			V
V_{CM}	Differential common mode voltage		0.8		2.5	V
V_{IL}	Low level input voltage				0.8	V
V_{IH}	High level input voltage		2.0			V
V_{OL}	Low level output voltage	$R_L = 1.5K\Omega$ to $+3.6V$			0.3	V
V_{OH}	High level output voltage	$R_L = 15K\Omega$ to GND	2.8		3.6	V
I_{LZ}	Tri-state leakage current		-10		10	μA
C_{in}	Transceiver capacitance	Pin to GND			10	pF
R_{PD}	Pull down resistance on pins DP/DM	Enable internal resistors	10		20	$k\Omega$
R_{PU}	Pull up resistance on DP	Enable internal resistor	1		2	$k\Omega$
Z_{DRV}	Driver output impedance	Steady-state drive ^[1]	39		44	Ω
Z_{INP}	Input impedance		10			$M\Omega$
V_{TERM}	Termination voltage for upstream port pull up		3.0		3.6	V

Table 26-6. RTC OSC DC Electrical Characteristics

Symbol	Parameter	Min	Typ	Max	Unit
V_{DD_RTC}	Output supply voltage	1.7	2.5	3.6	V
V_{IH}	DC input logic high	$0.7 \cdot V_{DDrtc}$			V
V_{IL}	DC input logic low			$0.3 \cdot V_{DDrtc}$	V
I_{IH}	High level input current	-10		10	μA
I_{IL}	Low level input current	-10		10	μA

4 A.C. ELECTRICAL CHARACTERISTICS

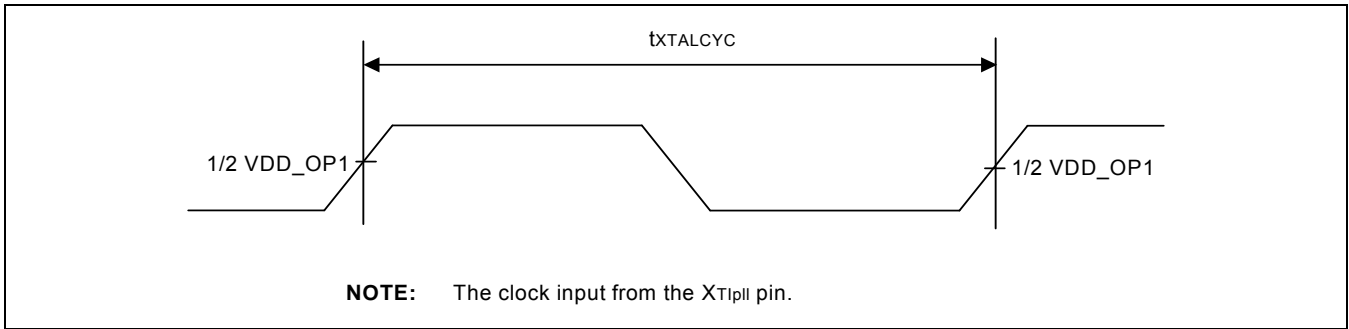


Figure 26-1. XTIPll Clock Timing

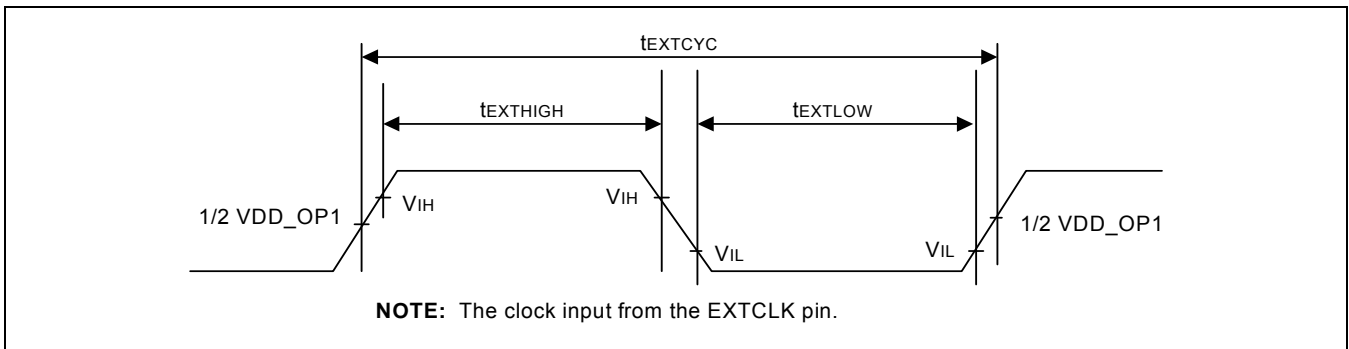


Figure 26-2. EXTCLK Clock Input Timing

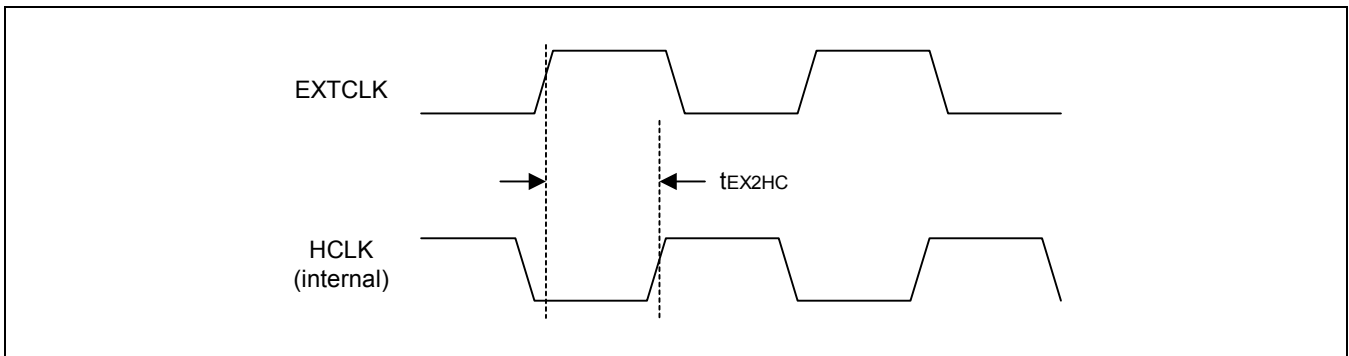


Figure 26-3. EXTCLK/HCLK in case that EXTCLK is used without the PLL

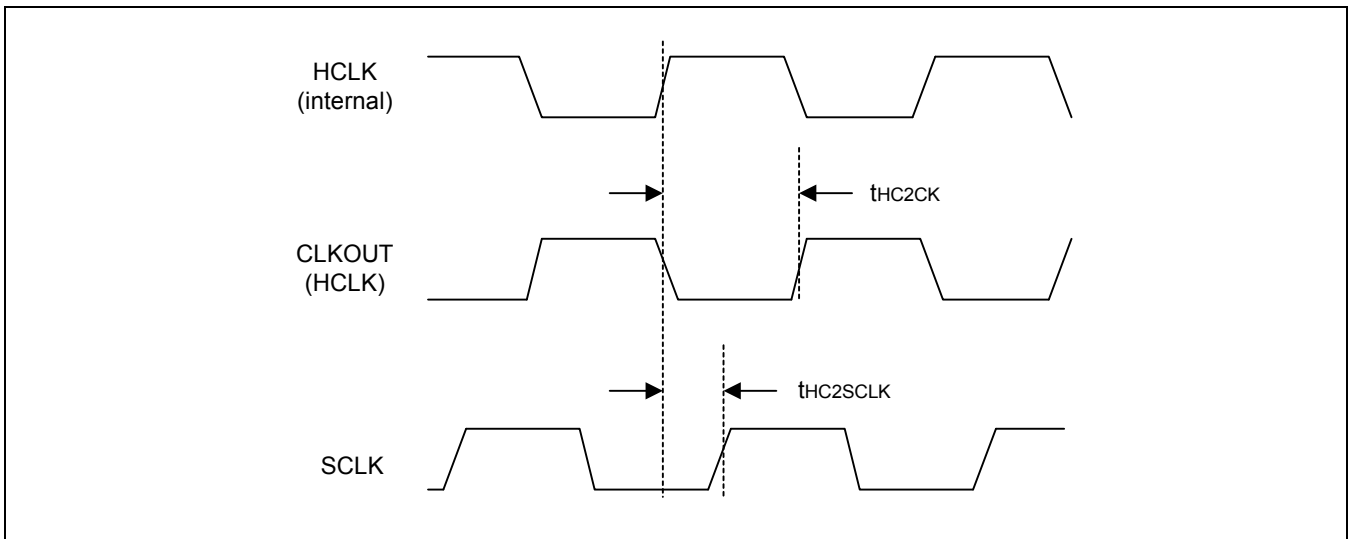


Figure 26-4. HCLK/CLKOUT/SCLK in case that EXTCLK is used

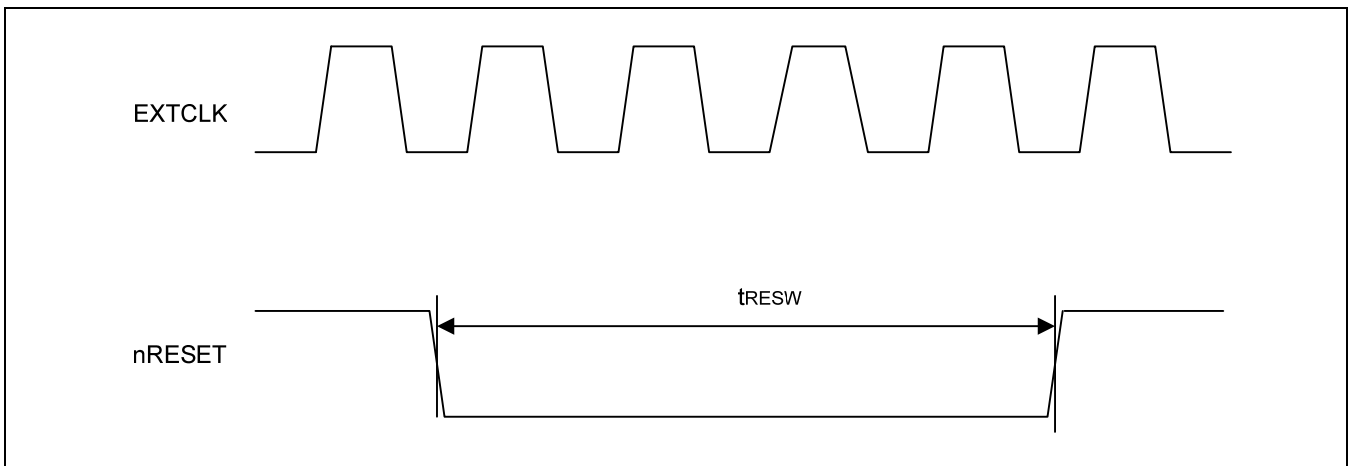


Figure 26-5. Manual Reset Input Timing

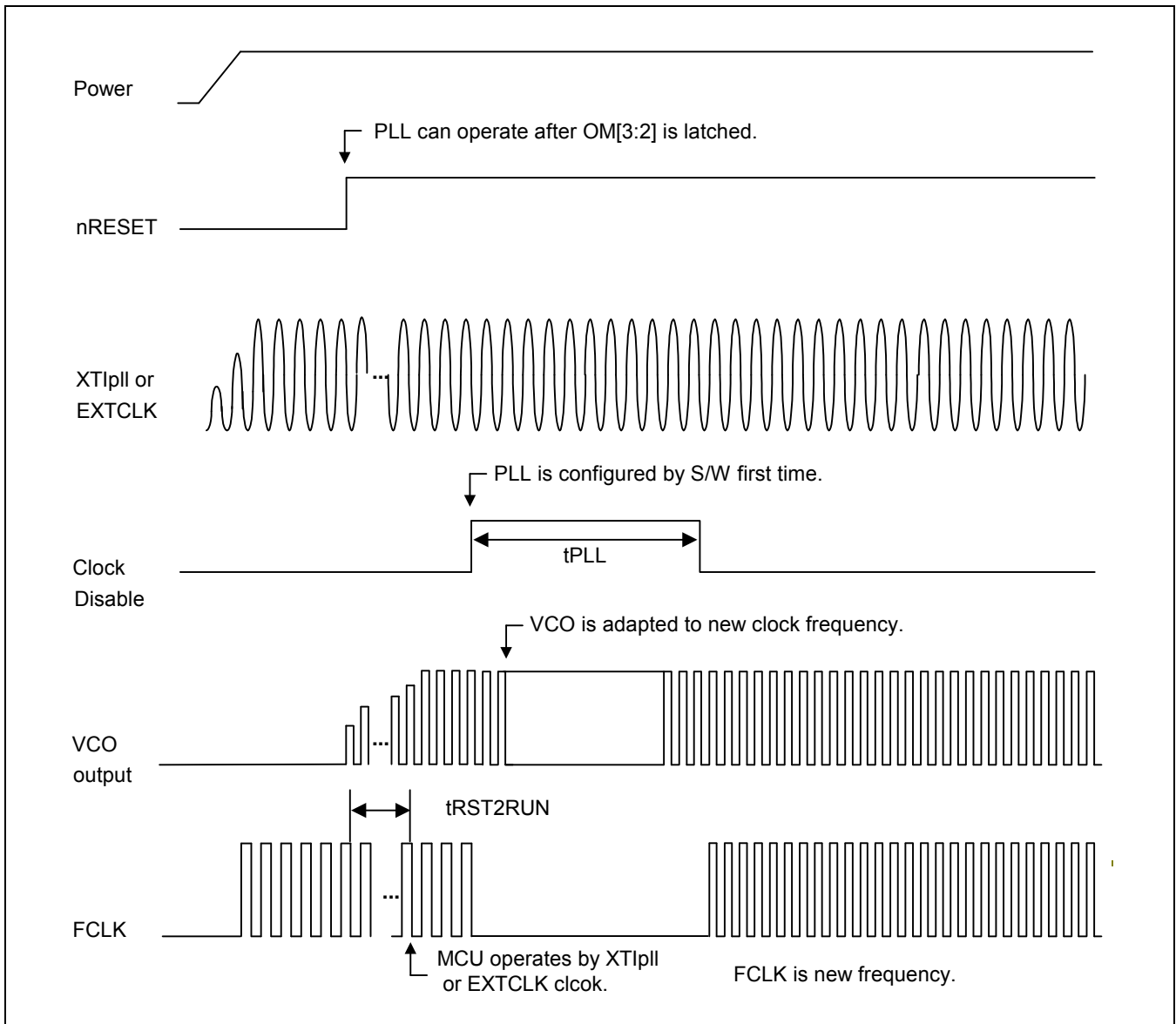


Figure 26-6. Power-On Oscillation Setting Timing

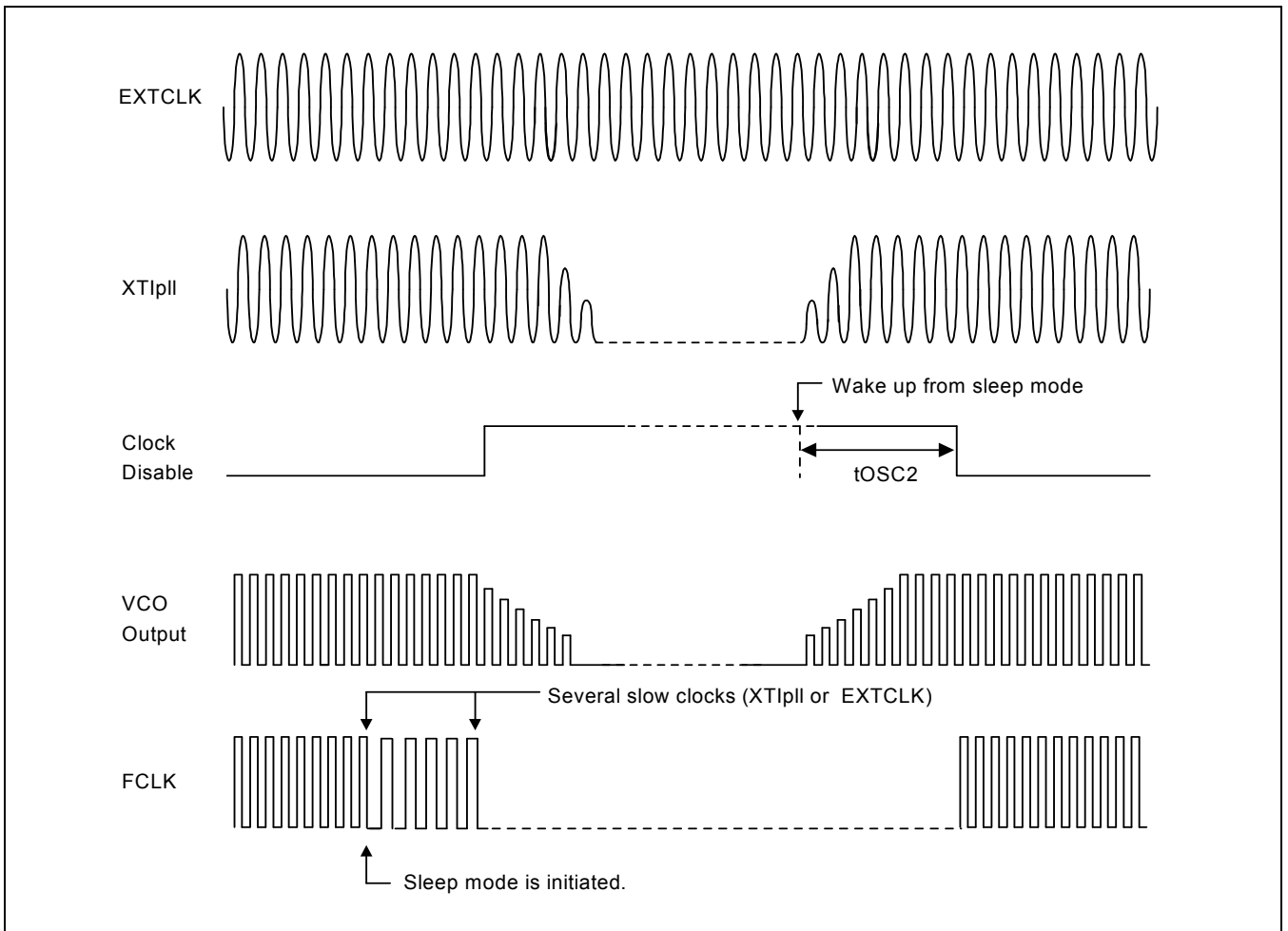


Figure 26-7. Sleep Mode Return Oscillation Setting Timing

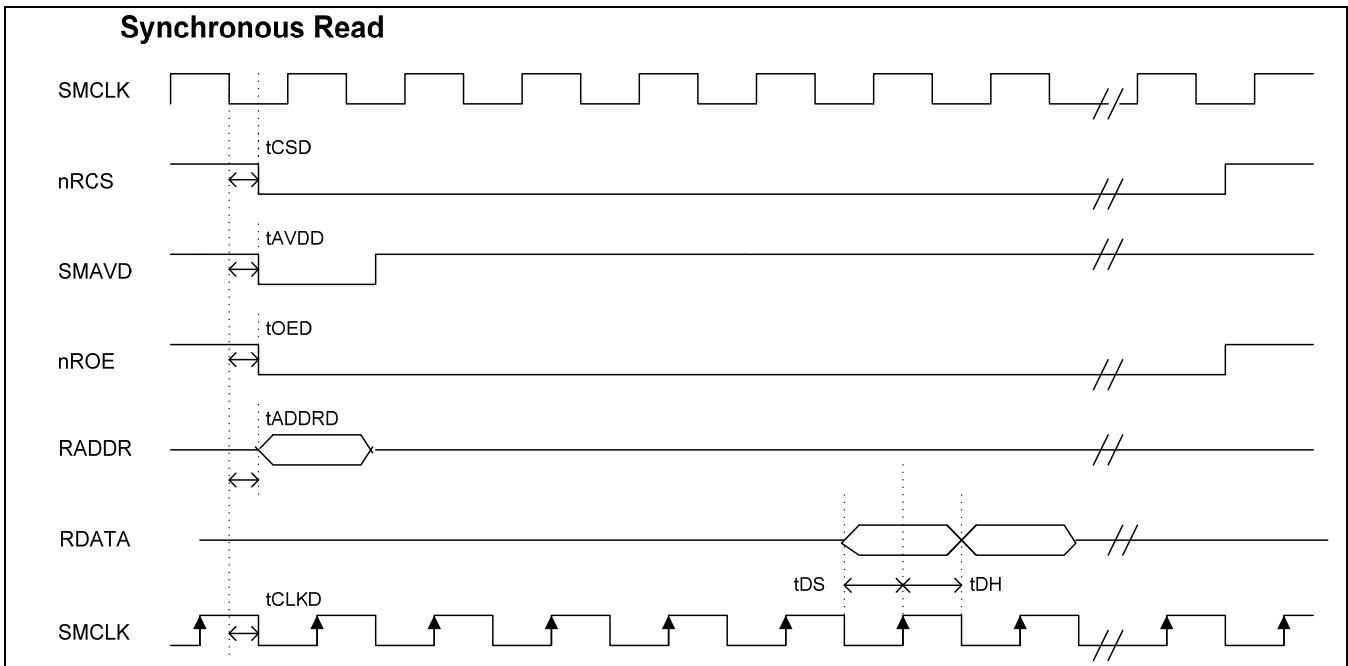


Figure 26-8. SMC Synchronous Read Timing

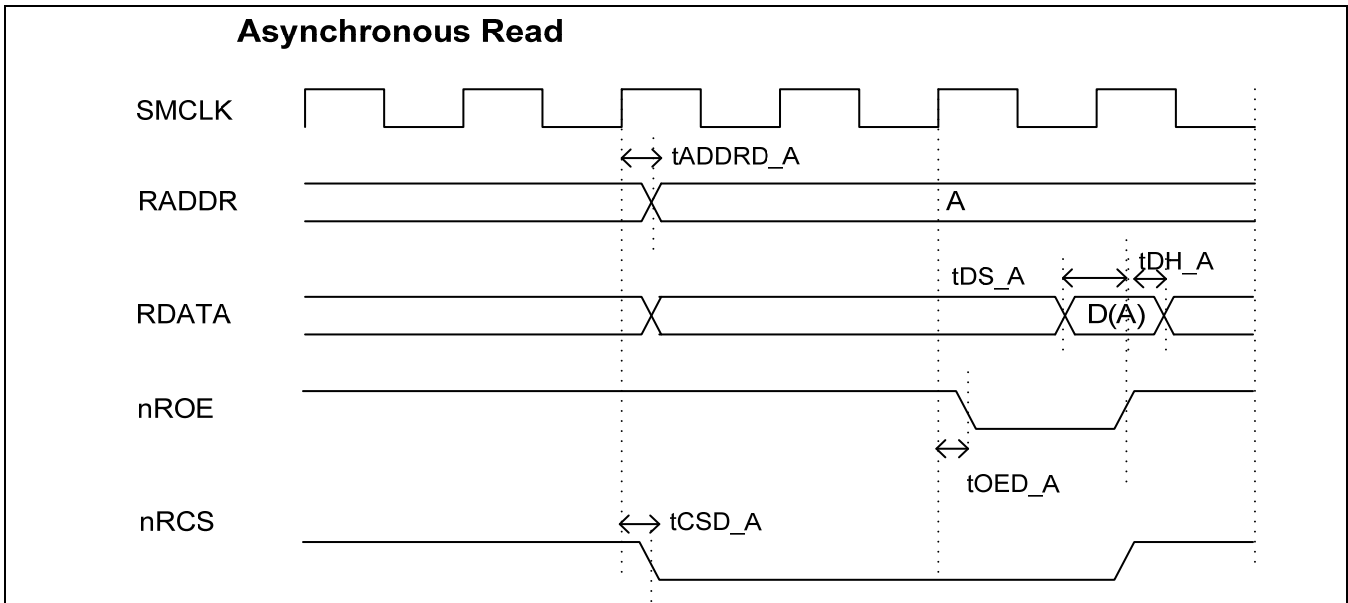


Figure 26-9. SMC Asynchronous Read Timing

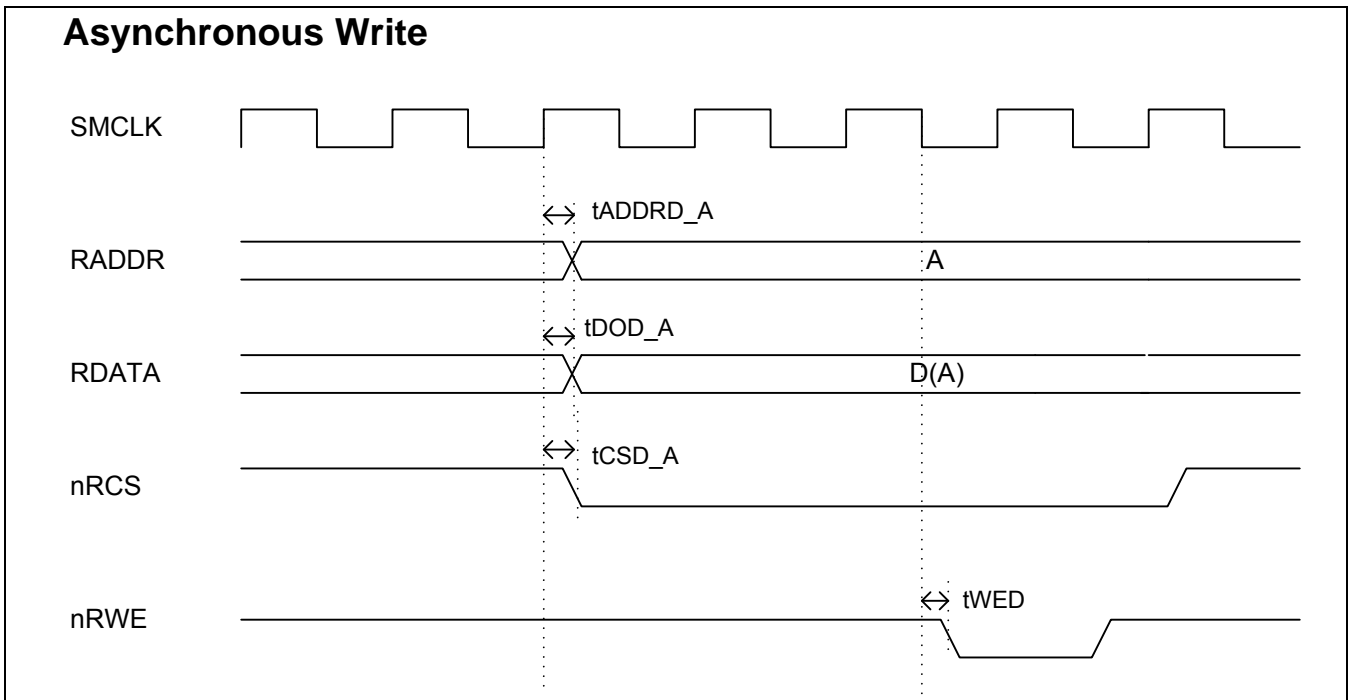


Figure 26-10. SMC Asynchronous Write Timing

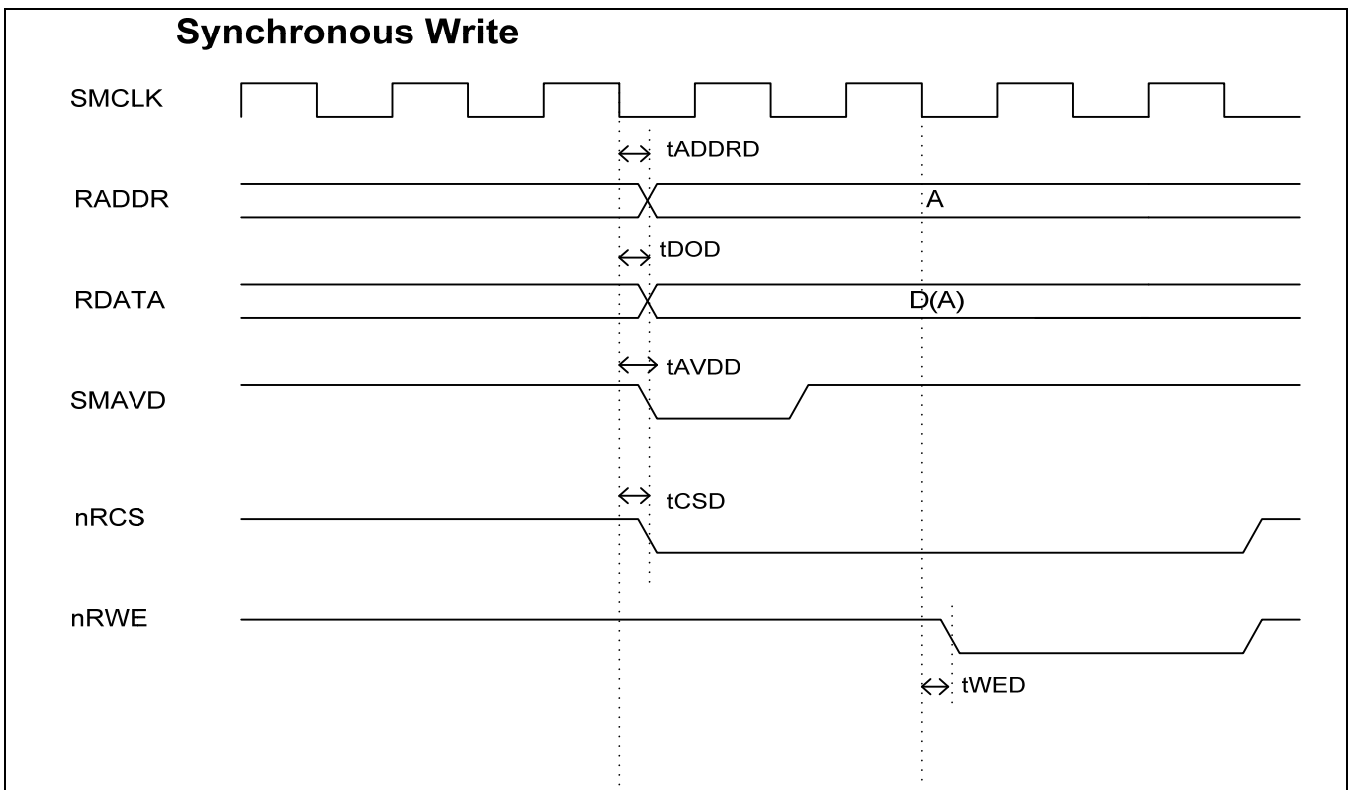


Figure 26-11. SMC Synchronous Write Timing

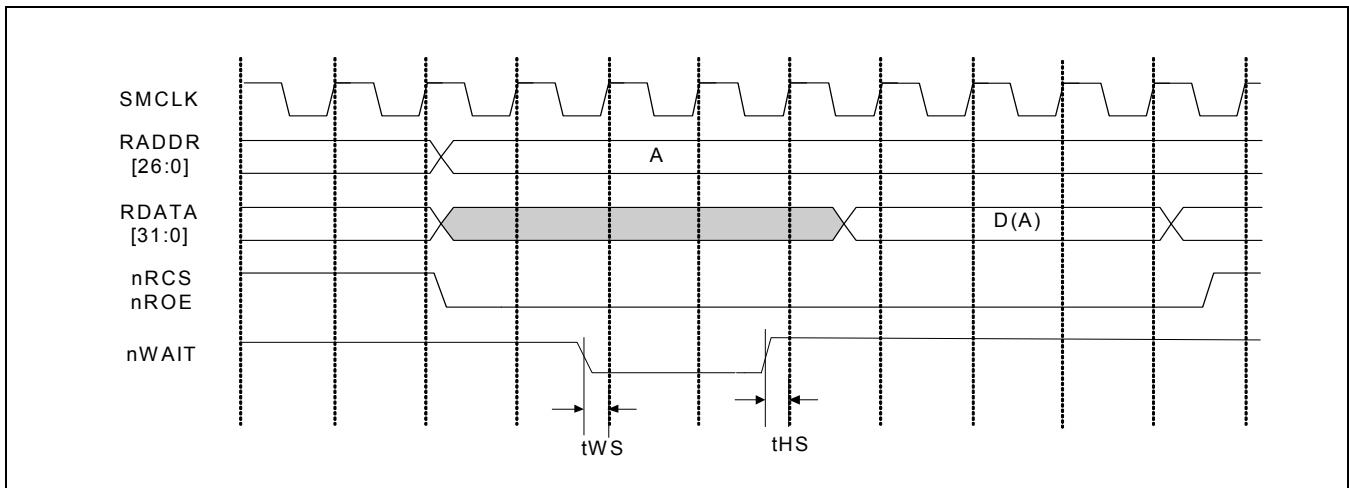


Figure 26-12. SMC Wait Timing

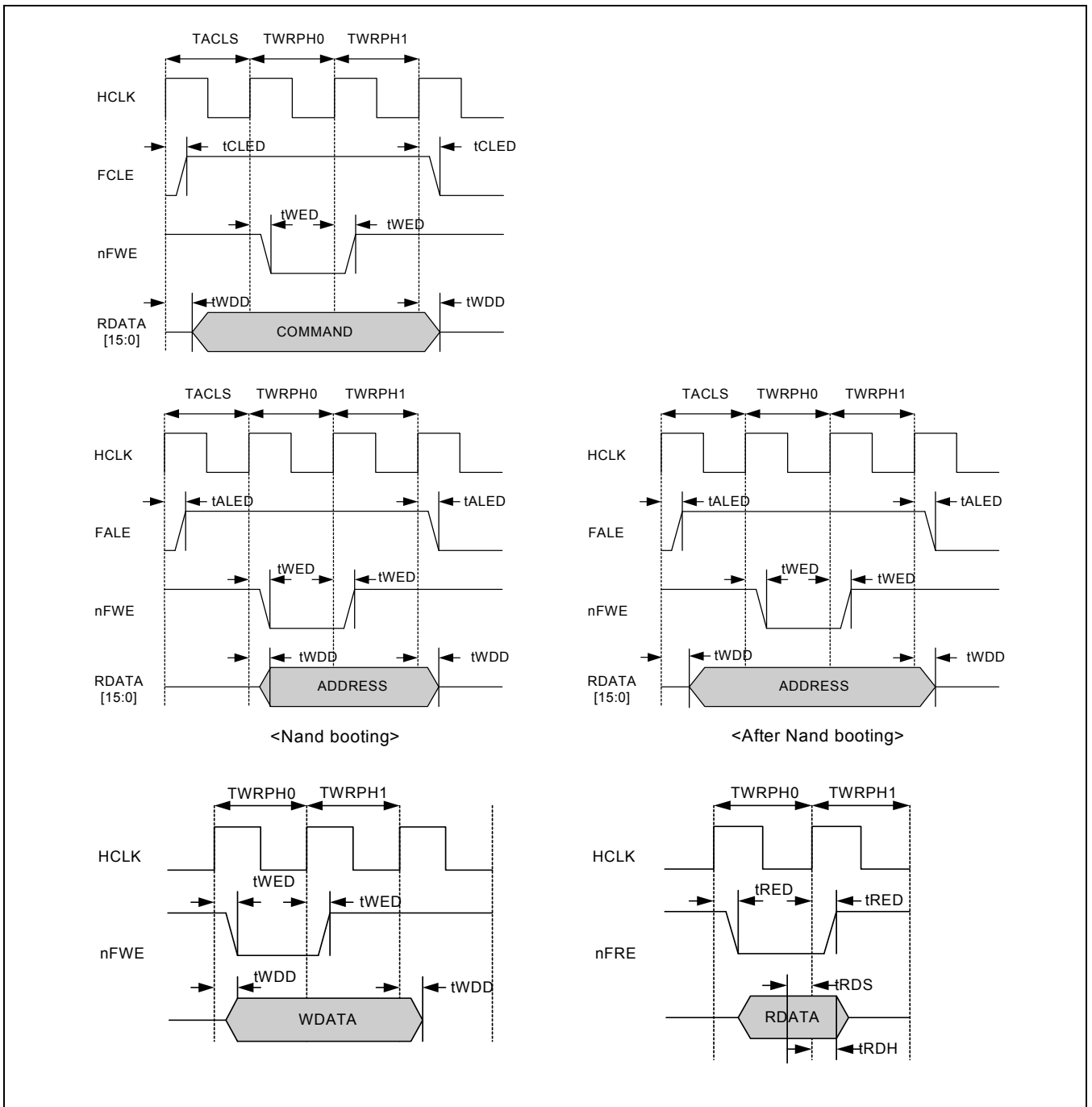


Figure 26-13. Nand Flash Timing

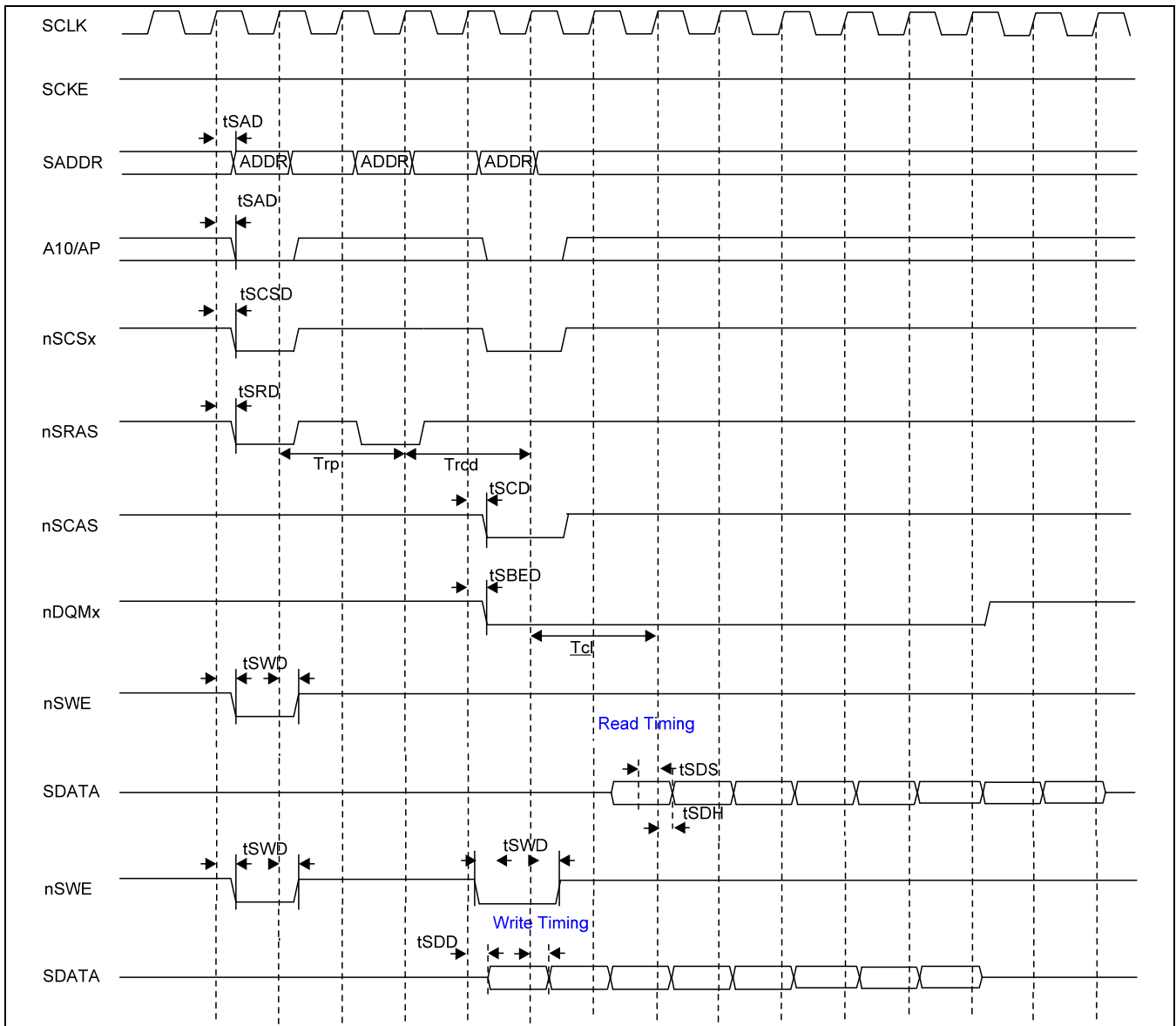


Figure 26-14. SDRAM READ / WRITE Timing ($Trp = 2$, $Trcd = 2$, $TcI = 2$, $DW = 16$ -bit)

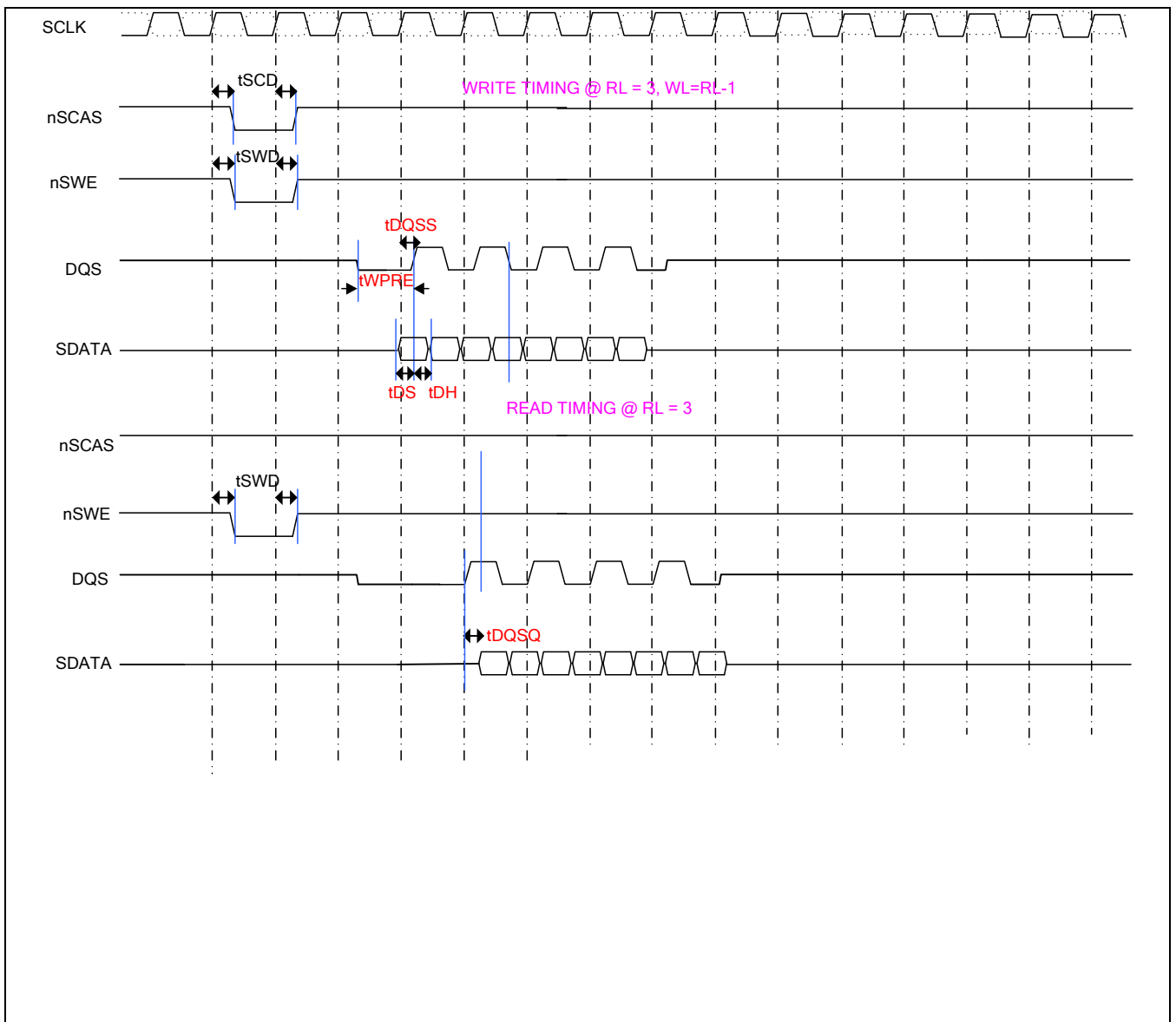


Figure 26-15. DDR2 Timing

Parameter	Symbol	Min	Max	Unit
DDR2 First DQS latching transition to associated clock edge	t_{DQSS}	0.4	0.66	ns
DDR2 DQ and DM output setup time	t_{DS}	x	2.70	ns
DDR2 DQ and DM output hold time	t_{DH}	x	1.53	ns
DDR2 DQS-DQ skew for DQS and associated DQ signals	t_{DQSQ}	x	0.7	ns

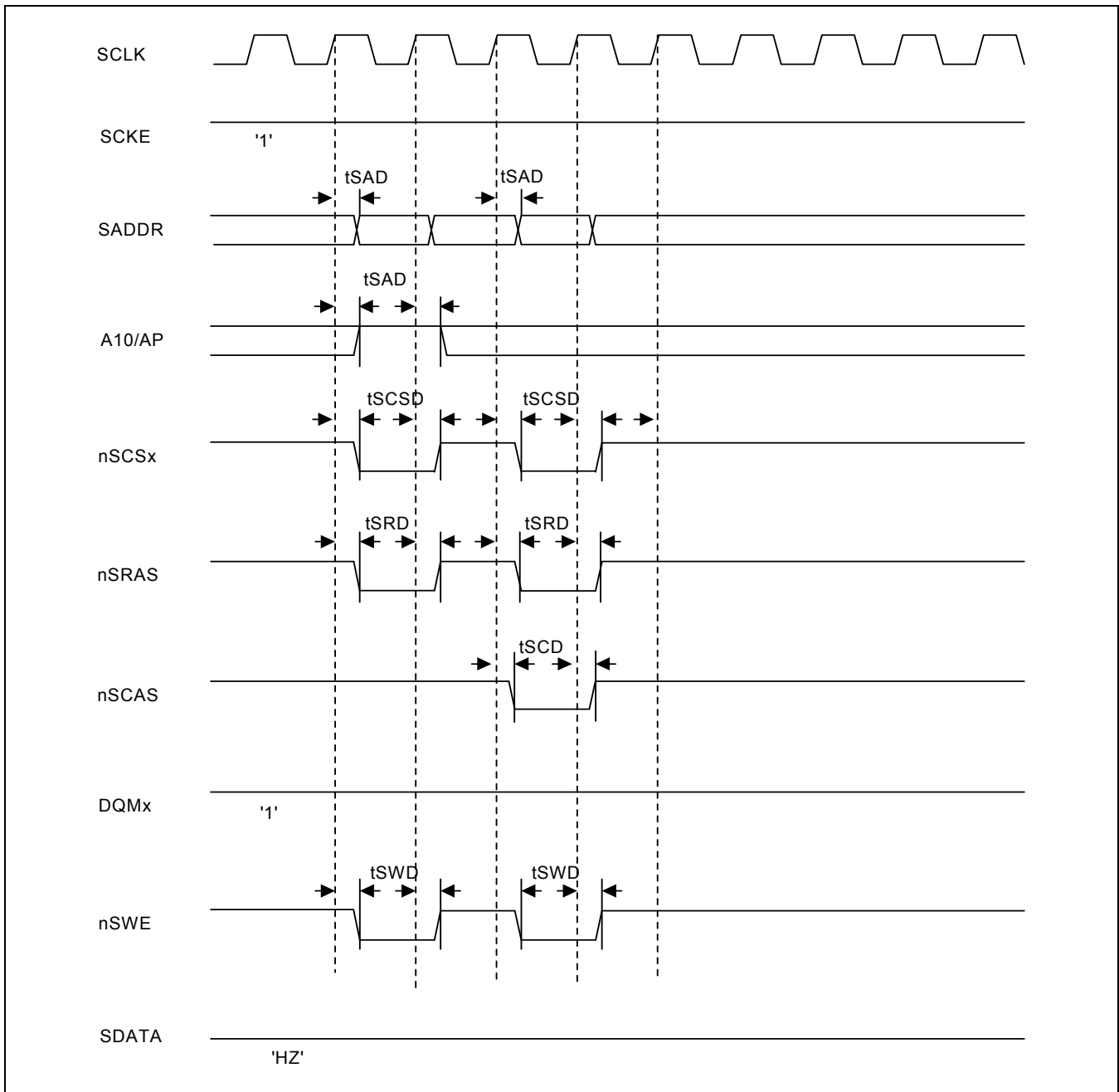


Figure 26-16. SDRAM MRS Timing

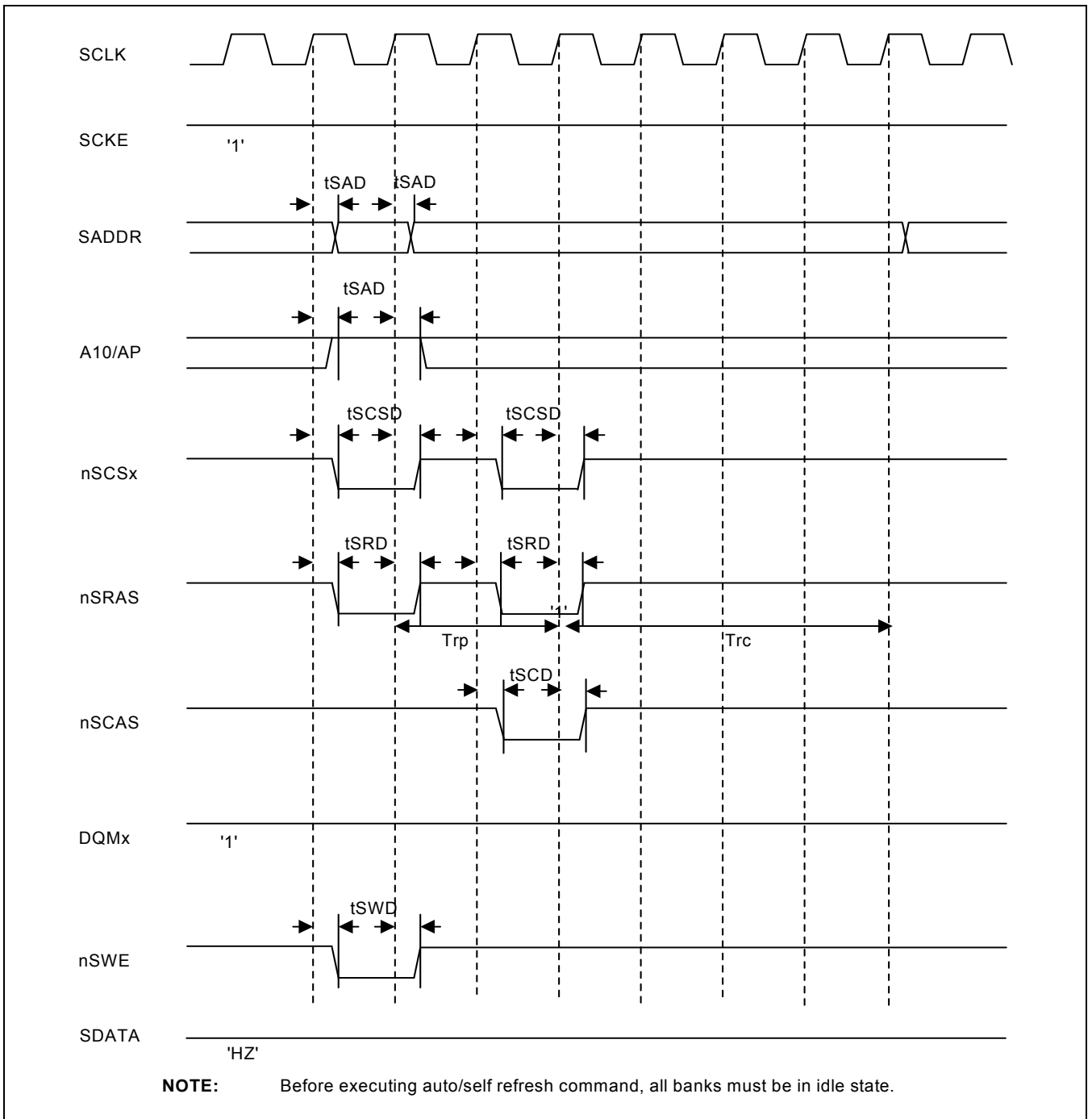


Figure 26-17. SDRAM Auto Refresh Timing ($Trp = 2, Trc = 4$)

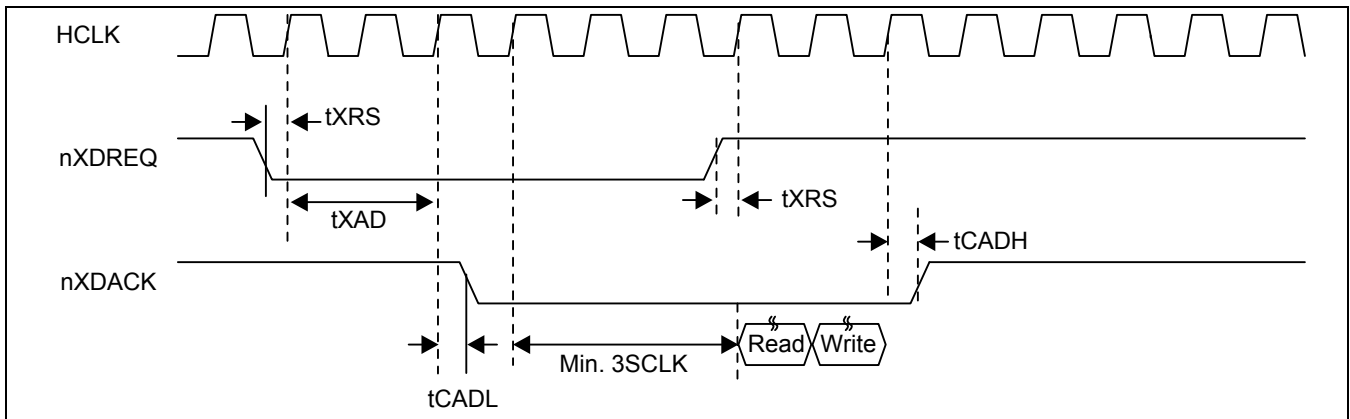


Figure 26-18. External DMA Timing (Handshake, Single transfer)

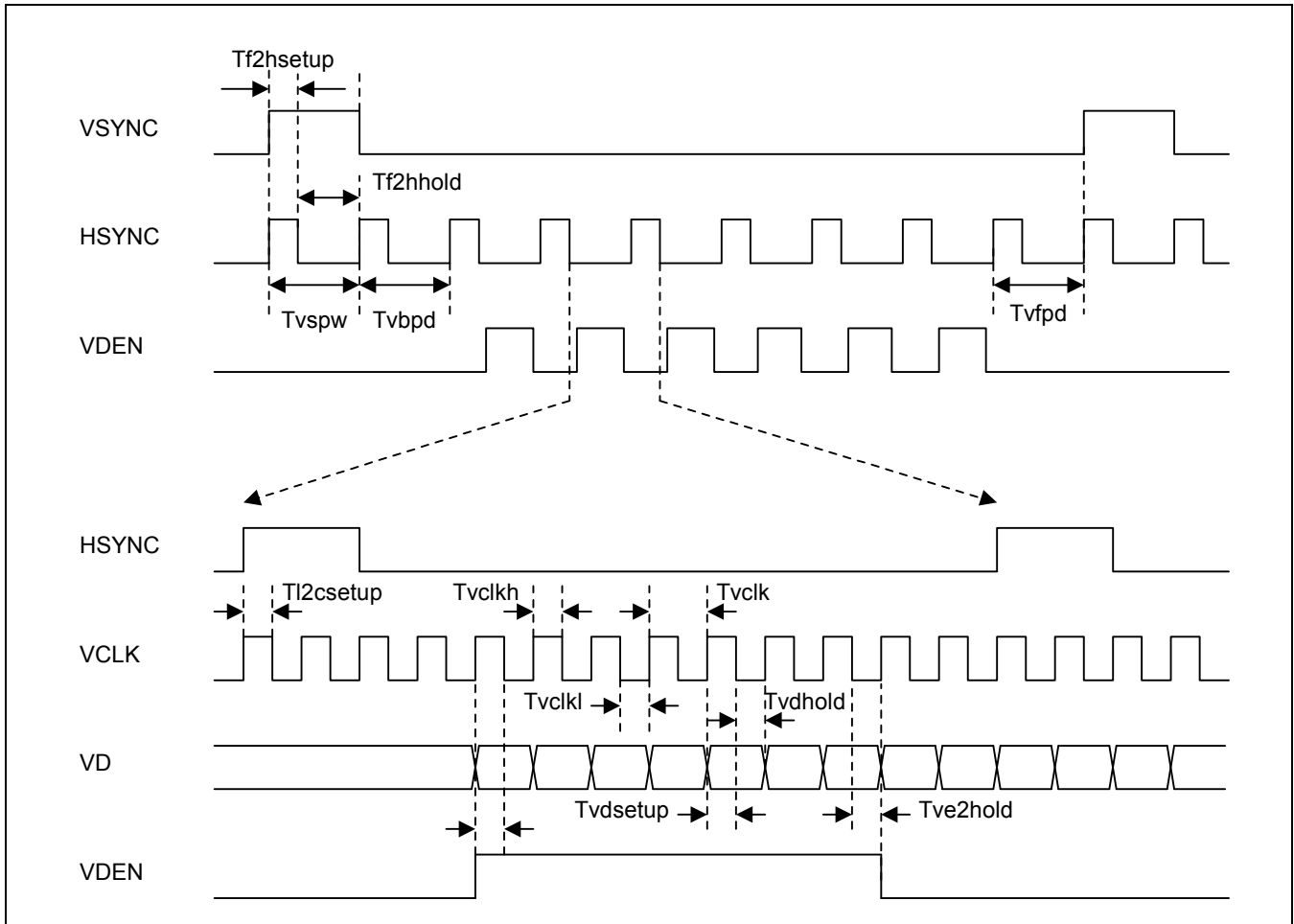


Figure 26-19. TFT LCD Controller Timing

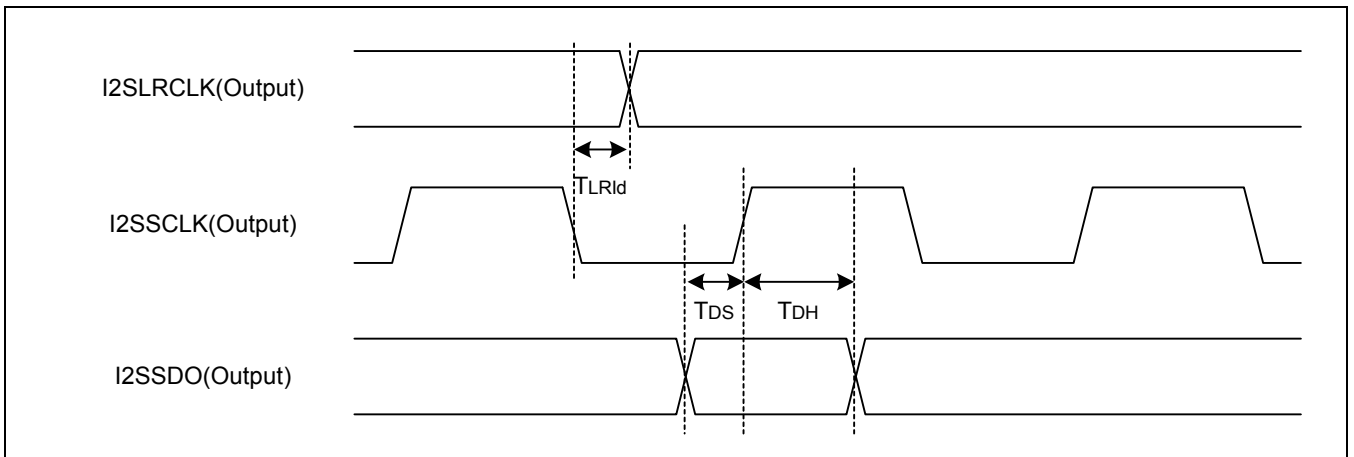


Figure 26-20. IIS Interface Timing (I2S Master Mode Only)

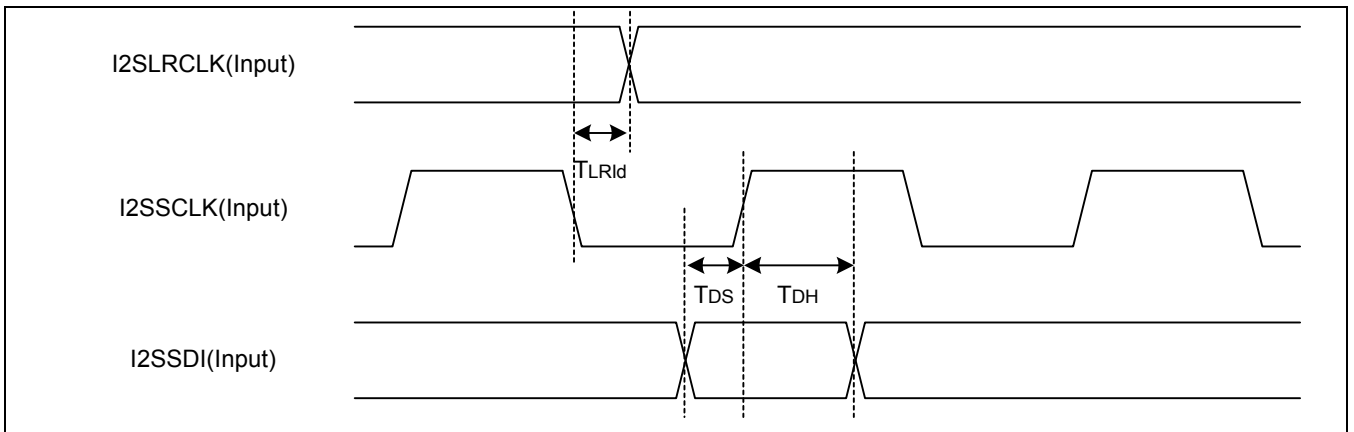


Figure 26-21. IIS Interface Timing (I2S Slave Mode Only)

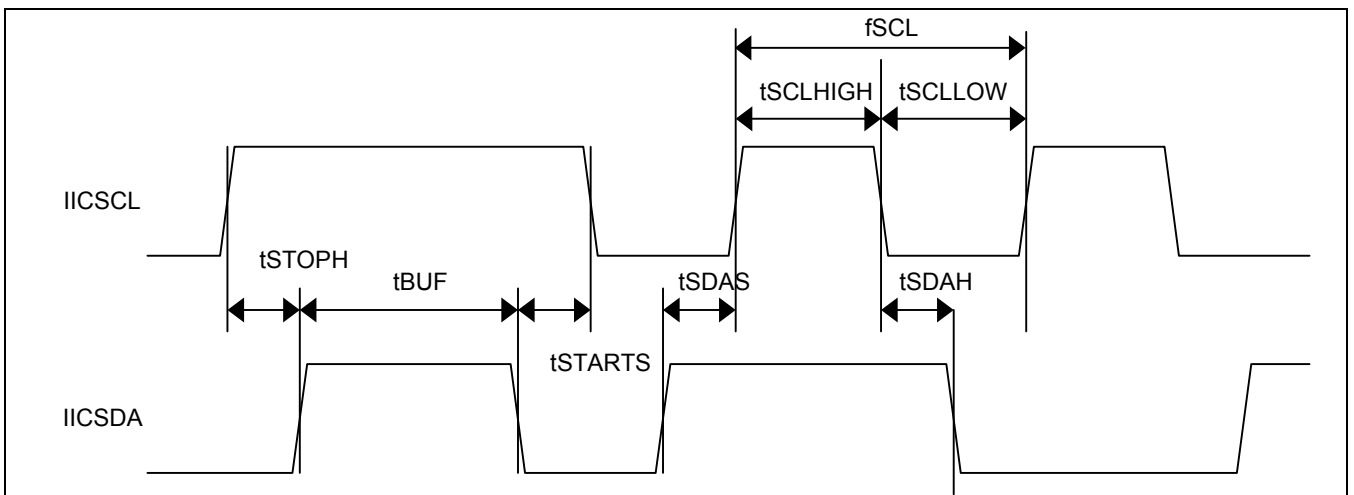


Figure 26-22. IIC Interface Timing

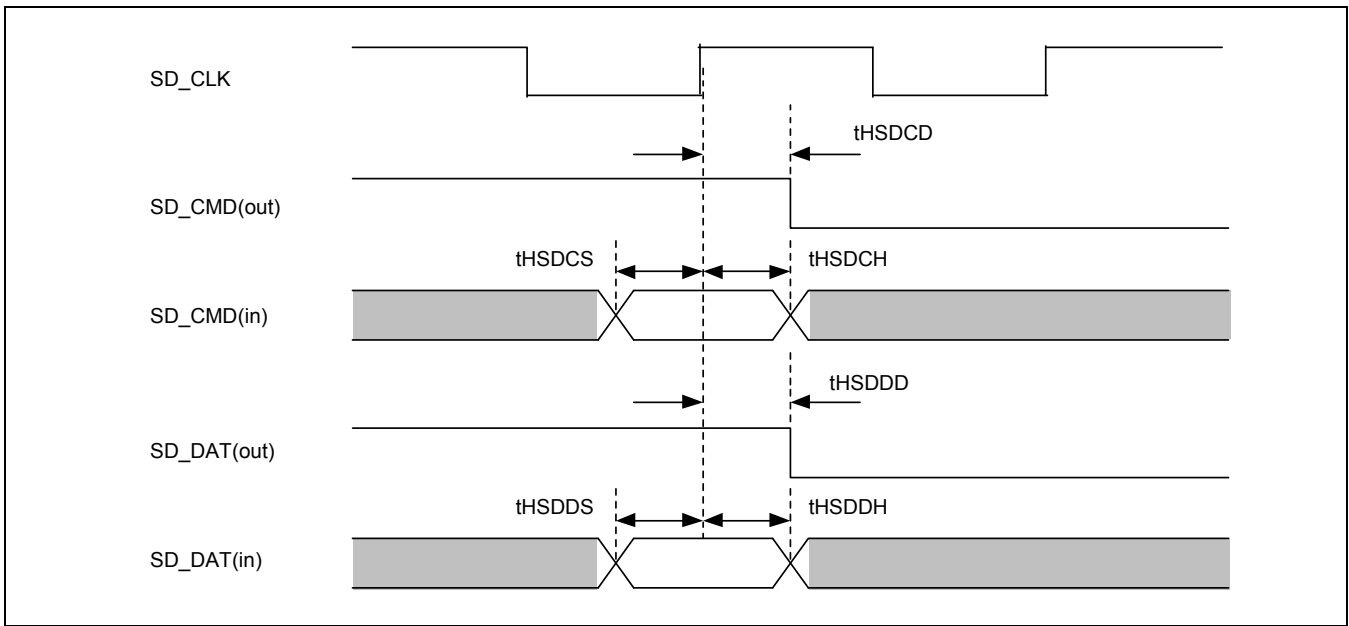


Figure 26-23. High Speed SDMMC Interface Timing

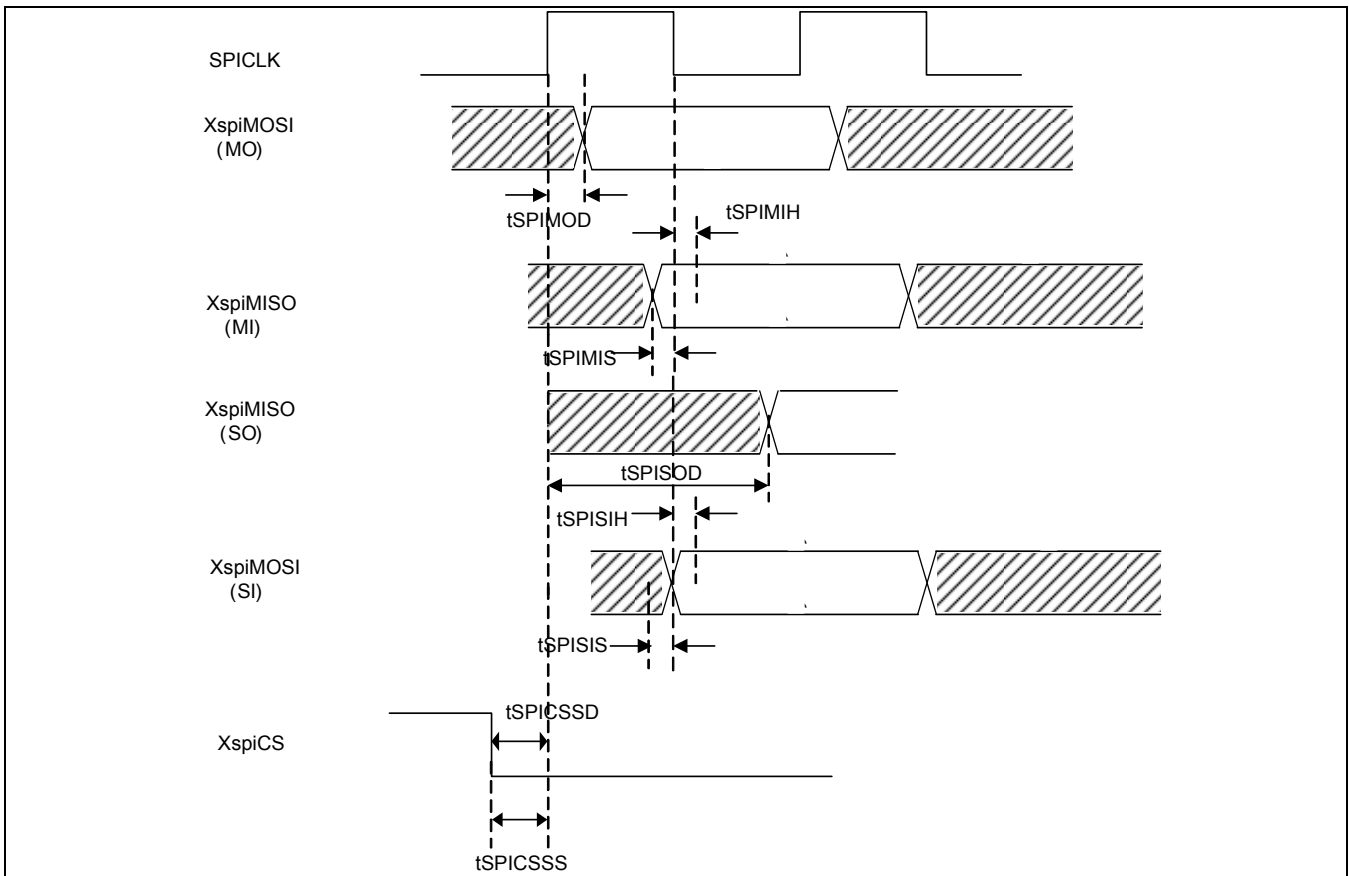


Figure 26-24. High Speed SPI Interface Timing (CPHA = 0, CPOL = 1)

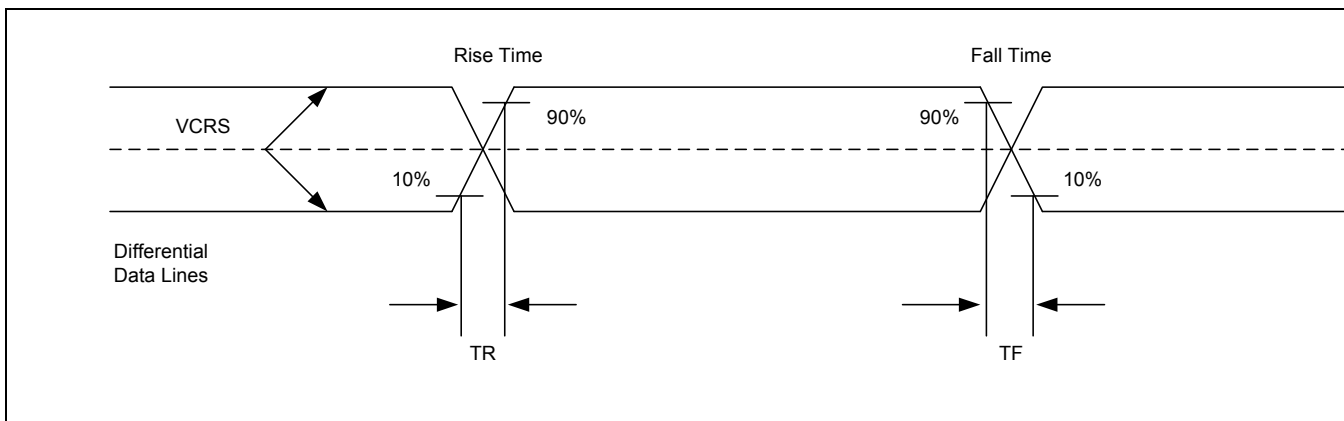


Figure 26-25. USB Timing (Data signal rise/fall time)

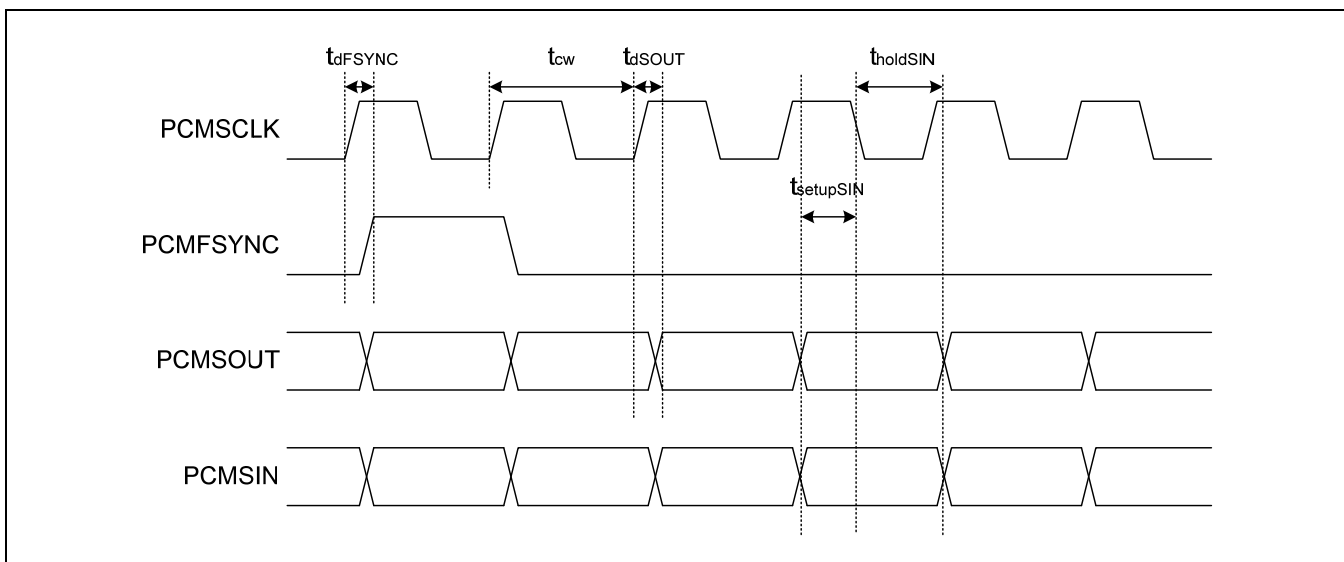


Figure 26-26. PCM Interface Timing

Table 26-7. Clock Timing Constants

(VDDi = 1.3V ± 0.05V (400MHz), T_A = -40 to 85°C, VDD_OP1 = 3.3V ± 0.3V)

Parameter	Symbol	Min	Typ	Max	Unit
Crystal clock input frequency	f _{XTAL}	10	-	30	MHz
Crystal clock input cycle time	t _{XTALCYC}	33	-	100	ns
External clock input frequency (note 1)	f _{EXT}	10		133	MHz
External clock input cycle time (note 1)	t _{EXTCYC}	7.5		100	ns
External clock input low level pulse width	t _{EXTLOW}	3.5		-	ns
External clock input high level pulse width	t _{EXTHIGH}	3.5		-	ns
External clock to HCLK (without PLL)	t _{EX2HC}	5		13	ns
HCLK (internal) to CLKOUT	t _{HC2CK}	3.3		8.8	ns
HCLK (internal) to SCLK	t _{HC2SCLK}	1.9		5.8	ns
Reset assert time after clock stabilization	t _{RESW}	4		-	XTIpll or EXTCLK
PLL Lock Time	t _{PLL}	300		-	us
Sleep mode return oscillation setting time. (note 2)	t _{OSC2}	2		524290	XTIpll or EXTCLK
The interval before CPU runs after nRESET is released.	t _{RST2RUN}	5		-	XTIpll or EXTCLK

NOTES:

1. If does not use MPLL, External clock input range is 10MHz ~ 133MHz but if use MPLL, External clock input range is 10MHz ~ 30MHz
2. t_{OSC2} is programmable by setting the PWRSETCNT bits in Reset Count register.
t_{OSC2} = (PWRSETCNT+1) * 2048

Table 26-8. SMC Timing Constants(VDDi = 1.3V ± 0.05V (400MHz), VDDi = 1.2 V ± 0.05V (533MHz), T_A = -40 to 85°C, VDD_SRAM = 1.8V ± 0.1V)

Parameter	Symbol	Min	Typ	Max	Unit	
SMC Chip Select Delay	t _{CSD}	bank0	2.3	-	5.72	ns
		bank1	2.2		6.40	
		bank2	2.1		6.28	
		bank3	2.5		7.59	
		bank4	2.3		6.28	
		bank5	2.2		6.40	
SMC Output Enable Delay	t _{OED}	2.0	-	6.19	ns	
SMC Write Enable Delay	t _{WED}	2.1	-	6.06	ns	
SMC Address Delay	t _{ADDRD}	2.3	-	6.49	ns	
SMC Data Output Delay	t _{DOD}	2.8	-	6.53	ns	
SMC Data Setup Time	t _{DS}	3.5			ns	
SMC Data Hold Time	t _{DH}	4.0			ns	
SMC nWAIT setup time	t _{WS}	2.3	-	5	ns	
SMC nWAIT hold time	t _{WH}	0	-	0	ns	

Table 26-9. NFCN Bus Timing Constants(VDDi = 1.3V ± 0.05V (400MHz), T_A = -40 to 85°C, VDD_SRAM = 1.8V ± 0.1V)

Parameter	Symbol	Min	Max	Unit
NFCN Chip Enable delay	t _{CED}	-	10.35	ns
NFCN CLE delay	t _{CLED}	-	9.86	ns
NFCN ALE delay	t _{ALED}	-	9.73	ns
NFCN Write Enable delay	t _{WED}	-	9.71	ns
NFCN Read Enable delay	t _{RED}	-	10.27	ns
NFCN Write Data delay	t _{WDD}	-	9.95	ns
NFCN Read Data Setup requirement time	t _{RDS}	1.00	-	ns
NFCN Read Data Hold requirement time	t _{RDH}	0.20	-	ns

Table 26-10. Memory Interface Timing Constants (SDRAM)(VDDi = 1.3V ± 0.05V (400MHz), T_A = -40 to 85°C, VDD_SDRAM = 1.8V ± 0.1V, 133MHz, CL = 15pF)

Parameter	Symbol	Min	Max	Unit
SDRAM Address Delay	t _{SAD}	1.65	4.25	ns
SDRAM Chip Select Delay	t _{SCSD}	1.62	3.84	ns
SDRAM Row active Delay	t _{SRD}	1.70	3.86	ns
SDRAM Column active Delay	t _{SCD}	1.68	3.93	ns
SDRAM Byte Enable Delay	t _{SBED}	1.63	4.31	ns
SDRAM Write enable Delay	t _{SWD}	1.63	3.74	ns
SDRAM read Data Setup time	t _{SDS}	1.50	-	ns
SDRAM read Data Hold time	t _{SDH}	1.50	-	ns
SDRAM output Data Delay	t _{SDD}	1.57	4.61	ns
SDRAM Clock Enable Delay	t _{CKED}	1.69	4.02	ns

NOTE: If CL increases over the 15pF, operation conditions follow the guide table

Load Capacitance (CL)	Bus clock	Voltage
< 15 pF	133MHz	1.8V ± 0.1V
15 pF < CL < 20 pF	100MHz	

Table 26-11. DMA Controller Module Signal Timing Constants

(VDDi = 1.3V± 0.05V (400MHz), TA = -40 to 85°C, VDD_OP2 = 3.3V ± 0.3V)

Parameter	Symbol	Min	Typ	Max	Unit
eXternal Request Setup	t _{XRS}	6.4/6.4	-	9.9/9.9	ns
aCcess to Ack Delay when Low transition	t _{CADL}	3.1/2.8		7.8/7.1	ns
aCcess to Ack Delay when High transition	t _{CADH}	2.8/2.5		7.8/6.9	ns
eXternal Request Delay	t _{XAD}	2	-	-	HCLK

Table 26-12. TFT LCD Controller Module Signal Timing Constants

(VDDi = 1.3V± 0.05V (400MHz), TA = -40 to 85°C, VDD_LCD = 3.3V ± 0.3V)

Parameter	Symbol	Min	Typ	Max	Units
VCLK pulse width	Tvclk	18	200	-	ns
VCLK pulse width high	Tvclkh	0.3	-	-	Pvclk ^(note1)
VCLK pulse width low	Tvclkl	0.3	-	-	Pvclk
Vertical sync pulse width	Tvspw	VSPW + 1	-	-	Phclk ^(note2)
Vertical back porch delay	Tvbpd	VBPD+1	-	-	Phclk
Vertical front porch delay	Tvfpd	VFPD+1	-	-	Phclk
Hsync setup to VCLK falling edge	Tl2csetup	0.3	-	-	Pvclk
VDEN set up to VCLK falling edge	Tde2csetup	0.3	-	-	Pvclk
VDEN hold from VCLK falling edge	Tde2chold	0.3	-	-	Pvclk
VD setup to VCLK falling edge	Tvd2csetup	0.3	-	-	Pvclk
VD hold from VCLK falling edge	Tvd2chold	0.3	-	-	Pvclk
VSYNC setup to HSYNC falling edge	Tf2hsetup	HSPW + 1	-	-	Pvclk
VSYNC hold from HSYNC falling edge	Tf2hhold	HBPD + HFPD + HOZVAL + 3	-	-	Pvclk

NOTES:

1. VCLK period
2. HSYNC period

Table 26-13. IIS Controller Module Signal Timing Constants(I2S Master Mode Only)

(VDDi = 1.3V± 0.05V (400MHz), TA = -40 to 85 °C, VDD_OP2 = 3.3V ± 0.3V)

Parameter	Symbol	Min.	Typ.	Max	Unit
LR Clock Input Delay	T _{LRId}	5	-	13	ns
Serial Data Setup Time	T _{DS}	10	-		ns
Serial Data Hold Time	T _{DH}	10	-		ns

Table 26-14. IIS Controller Module Signal Timing Constants(I2S Slave Mode Only)(VDDi = 1.3V ± 0.05V (400MHz), T_A = -40 to 85 °C, VDD_OP2 = 3.3V ± 0.3V)

Parameter	Symbol	Min.	Typ.	Max	Unit
LR Clock Input Delay	T _{LRId}	0	-		ns
Serial Data Setup Time	T _{DS}	10	-		ns
Serial Data Hold Time	T _{DH}	10	-		ns

Table 26-15. IIC BUS Controller Module Signal Timing(VDDi = 1.3V ± 0.05V (400MHz), T_A = -40 to 85°C, VDD_OP2 = 3.3V ± 0.3V)

Parameter	Symbol	Min	Typ.	Max	Unit
SCL clock frequency	f _{SCL}	-	-	std. 100 fast 400	kHz
SCL high level pulse width	t _{SCLHIGH}	std. 4.0 fast 0.6	-	-	μs
SCL low level pulse width	t _{SCLLOW}	std. 4.7 fast 1.3	-	-	μs
Bus free time between STOP and START	t _{BUF}	std. 4.7 fast 1.3	-	-	μs
START hold time	t _{STARTS}	std. 4.0 fast 0.6	-	-	μs
SDA hold time	t _{SDAH}	std. 0 fast 0	-	std. - fast 0.9	μs
SDA setup time	t _{SDAS}	std. 250 fast 100	-	-	ns
STOP setup time	t _{STOPH}	std. 4.0 fast 0.6	-	-	μs

NOTES: Std. means Standard Mode and fast means Fast Mode.

- The IIC data hold time(t_{SDAH}) is minimum 0ns.
(IIC data hold time is minimum 0ns for standard/fast bus mode in IIC specification v2.1.)
Please check the data hold time of your IIC device if it's 0 nS or not.
- The IIC controller supports only IIC bus device(standard/fast bus mode), not C bus device.

Table 26-16. High Speed SPI Interface Transmit/Receive Timing Constants(VDDi = 1.3V ± 0.05V (400MHz), T_A = -40 to 85°C, VDD_SD = 3.3V ± 0.3V)

(SPICLKout = 50Mhz, PAD loading = 30pF)

Parameter		Symbol	Min	Typ.	Max	Unit	
Ch 0	SPI MOSI Master Output Delay time	t _{SPIMOD}	-	-	7	ns	
	SPI MISO Master Input Setup time	Feedback Delay- 0nS	t _{SPIMIS}	4	-	-	ns
		Feedback Delay- 2nS		3	-	-	ns
		Feedback Delay- 4nS		2	-	-	ns
		Feedback Delay- 6nS		1	-	-	ns
	SPI MISO Master Input Hold time	Feedback Delay- 0nS	t _{SPIMIHI}	4	-	-	ns
		Feedback Delay- 2nS		6	-	-	ns
		Feedback Delay- 4nS		9	-	-	ns
		Feedback Delay- 6nS		11	-	-	ns
	SPI MISO Slave output Delay time	t _{SPISOD}		-	10	ns	
	SPI MOSI Slave Input Setup time	t _{SPISIS}	4	-	-	ns	
	SPI MOSI Slave Input Hold time	t _{SPISIH}	3	-	-	ns	
	SPI nSS Master Output Delay time	t _{SPICSSD}		-	11	ns	
SPI nSS Slave Input Setup time	t _{SPICSSS}		-	10	ns		

Table 26-17. USB Electrical Specifications

(VDD12V = 1.2V ± 5%, T_A = -40 to 85°C, VDDA33x = 3.3V ± 0.3V)

Parameter	Symbol	Condition	Min	Max	Unit
Supply Current					
Operating Current			-	100	mA
Suspended Current		Room Temp (25°C)	-	500	μA
		Hot Temp (8°C)	-	3	mA
Input Levels for Full speed					
Differential Input Sensitivity	V _{DI}		0.2		V
Differential Common Mode Range	V _{CM}		0.8	2.5	
Input Levels for High speed					
Differential Common Mode Range	V _{HSCM}		-50	500	mV
HS Squelch detection threshold	V _{HSSQ}		100	200	mV
Output Levels for FS					
Low	V _{OL}		0.0	0.3	V
High	V _{OH}		2.8	3.6	V
Output Levels for HS					
HS data signaling high	V _{HSOH}		360	460	mV
HS data signaling low	V _{HSOL}		-15.0	15.0	mV

Table 26-18. USB Full Speed Output Buffer Electrical Characteristics(VDDi = 1.3V ± 0.05V (400MHz), T_A = -40 to 85°C, VDDA33x = 3.3V ± 0.3V)

Parameter	Symbol	Condition	Min	Max	Unit
Driver Characteristics					
Transition Time					
Rise Time	T _R	CL = 50pF	4.0	20	ns
Fall Time	T _F	CL = 50pF	4.0	20	
Rise/Fall Time Matching	T _{RFM}	(TR / TF)	90	110	%
Output Signal Crossover Voltage	V _{CRS}		1.3	2.0	V
Drive Output Resistance	Z _{DRV}	Steady state drive	28	43	ohm

Table 26-19. USB High Speed Output Buffer Electrical Characteristics(VDDi = 1.3V ± 0.05V (400MHz), T_A = -40 to 85°C, VDDA33x = 3.3V ± 0.3V)

Parameter	Symbol	Condition	Min	Max	Unit
Driver Characteristics					
Transition Time					
Rising Time	T _R		500		ps
Falling Time	T _F		500		ps
Drive Output Resistance	Z _{DRV}	Steady state drive	40.5	49.5	ohm

Table 26-20. High Speed SDMMC Interface Transmit/Receive Timing Constants(VDDi = 1.3V ± 0.05V (400MHz), T_A = -40 to 85°C, VDD_SD = 3.3V ± 0.3V)

Parameter	Symbol	Min	Typ.	Max	Unit
SD Command output Delay time	t _{SDCD}	0.4	-	4.0	ns
SD Command input Setup time	t _{SDCS}	5.0	-	-	ns
SD Command input Hold time	t _{SDCH}	2.0	-	-	ns
SD Data output Delay time	t _{SDDD}	0.4	-	4.0	ns
SD Data input Setup time	t _{SDDS}	5.0	-	-	ns
SD Data input Hold time	t _{SDDH}	2.0	-	-	ns

Table 26-21. PCM Interface Timing(VDDi1 = 1.0V ± 0.05V, T_A = -40 to 85°C, V_{DD} = 3.3V ± 0.3V, 2.5V ± 0.2V, 1.8V ± 0.1V)

Parameter	Symbol	Min.	Typ.	Max	Unit
PCMSCLK clock width	1/tcW	0.128	-	8.192	MHz
PCMSCLK to PCMFSYNC delay	t _{dFSYNC}	0.5	-		ns
PCMSCLK to PCMSOUT delay	t _{dSOUT}	0.5	-		ns
PCMSIN setup time	t _{setupSIN}	15	-		ns
PCMSIN hold time	t _{holdSIN}	10	-		ns

NOTE: This table is applied to PCM0 and PCM1, respectively.**NOTES**

27 MECHANICAL DATA

1 PACKAGE DIMENSIONS

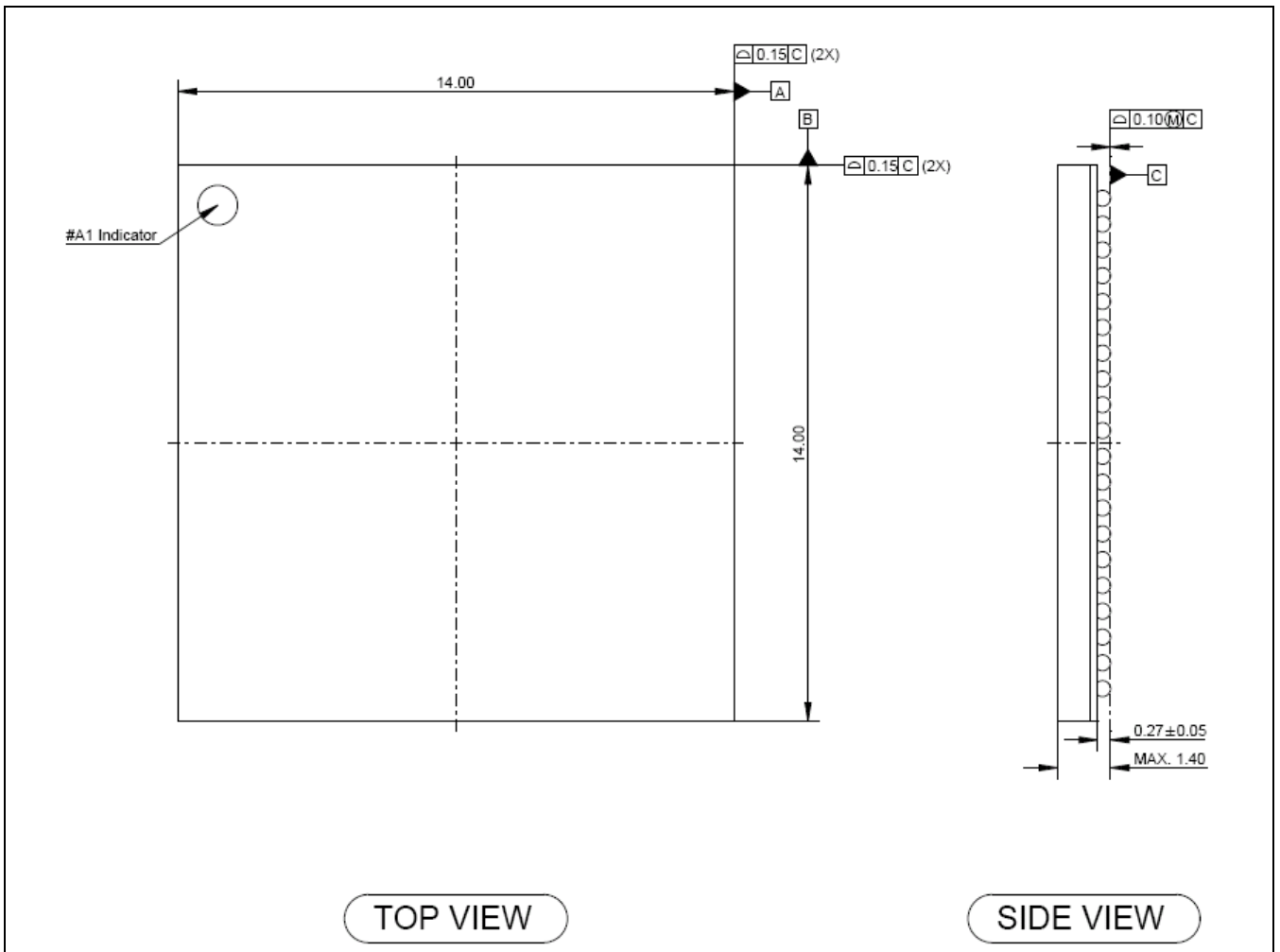


Figure 27-1. 330-FBGA-1414 Package Dimension 1 (Top View)

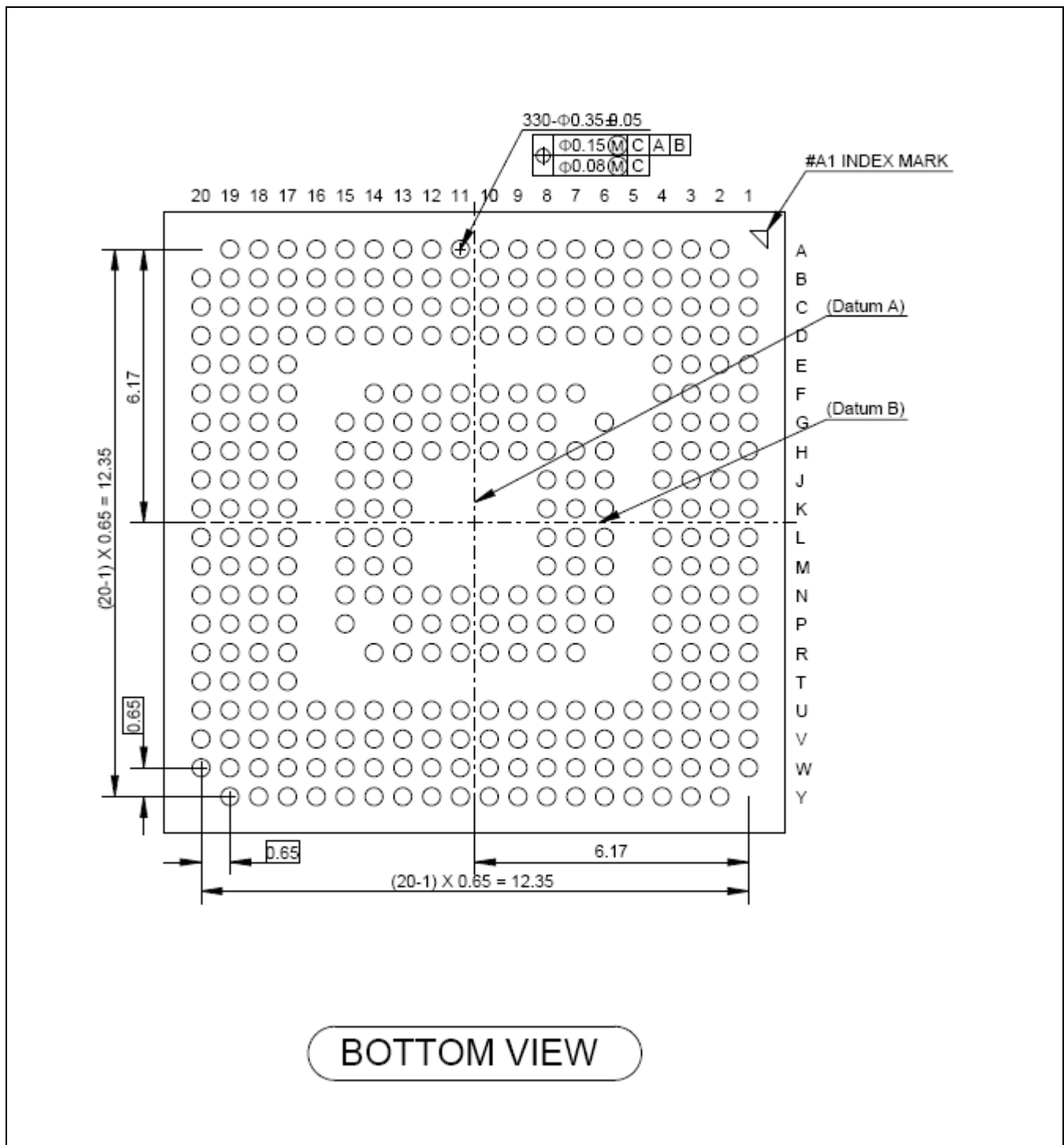


Figure 27-2. 330-FBGA-1414 Package Dimension 2 (Bottom View)