

**ADS7811**

PRELIMINARY INFORMATION  
SUBJECT TO CHANGE  
WITHOUT NOTICE

## 16-Bit 250kHz Sampling CMOS ANALOG-to-DIGITAL CONVERTER

### FEATURES

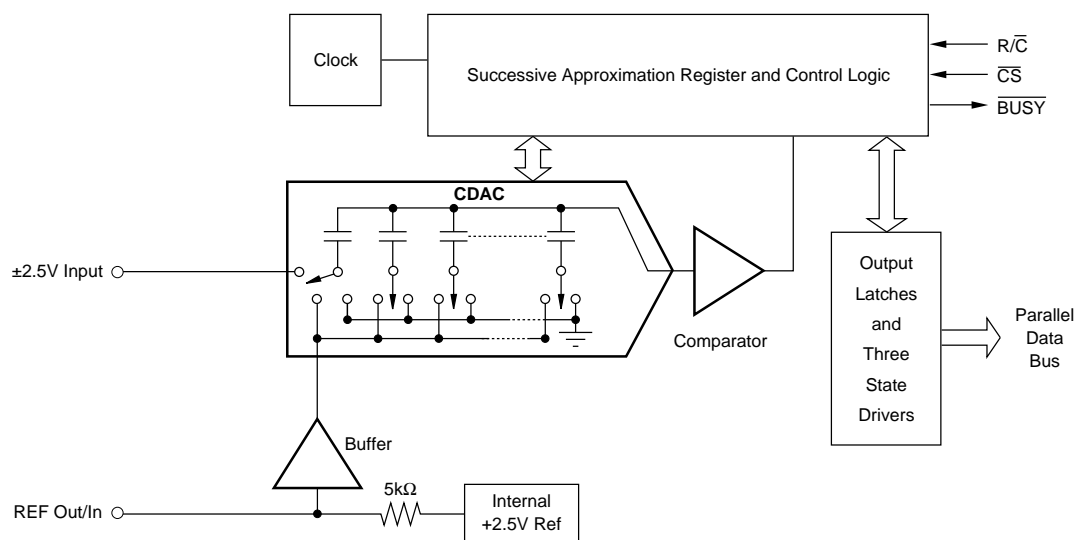
- 250kHz SAMPLING RATE
- COMPLETE WITH S/H, REF, CLOCK, ETC.
- 96dB min SFDR WITH 100kHz INPUT
- 84dB min SINAD
- $\pm 2.5V$  INPUT RANGE
- 28-LEAD SOIC

### APPLICATIONS

- WIRELESS BASE STATIONS
- SPECTRUM ANALYSIS
- IMAGING SYSTEMS
- DATA ACQUISITION

### DESCRIPTION

The ADS7811 is a complete 16-bit sampling analog-to-digital (A/D) converter featuring excellent AC performance and a 250kHz throughput rate. The design includes a 16-bit capacitor-based SAR A/D converter with an inherent sample and hold (S/H), a precision reference, and an internal clock. Spurious-free dynamic range with a 100kHz full-scale sine wave input is typically greater than 100dB. The  $\pm 2.5V$  input range allows development of precision systems using only  $\pm 5V$  supplies. The converter is available in a 28-lead SOIC package specified for operation over the industrial  $-25^{\circ}C$  to  $+85^{\circ}C$  temperature range.



International Airport Industrial Park • Mailing Address: PO Box 11400, Tucson, AZ 85734 • Street Address: 6730 S. Tucson Blvd., Tucson, AZ 85706 • Tel: (520) 746-1111 • Twx: 910-952-1111  
Internet: <http://www.burr-brown.com/> • FAXLine: (800) 548-6133 (US/Canada Only) • Cable: BBRCORP • Telex: 066-6491 • FAX: (520) 889-1510 • Immediate Product Info: (800) 548-6132