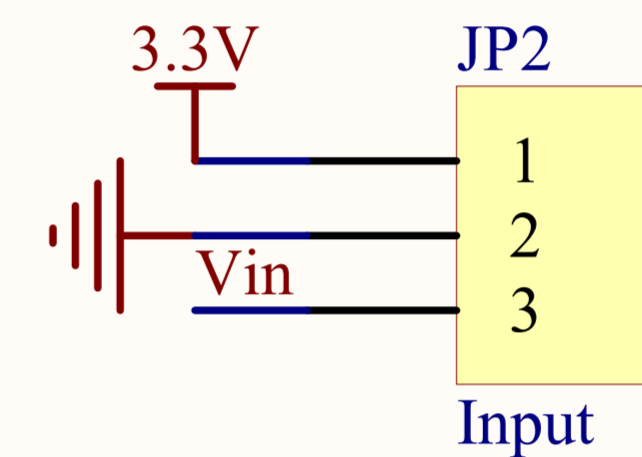
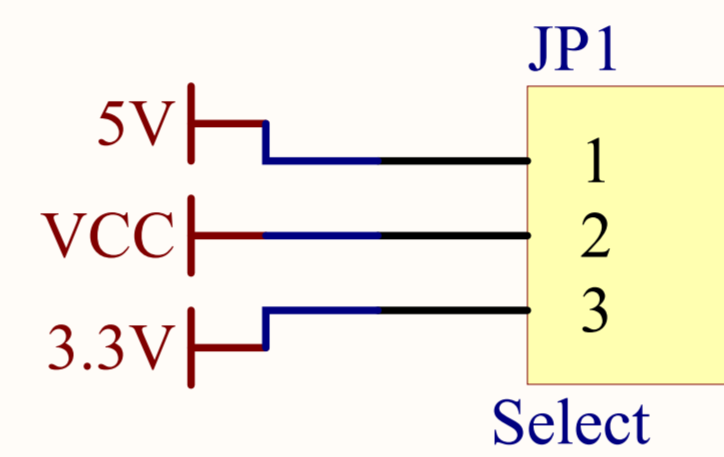
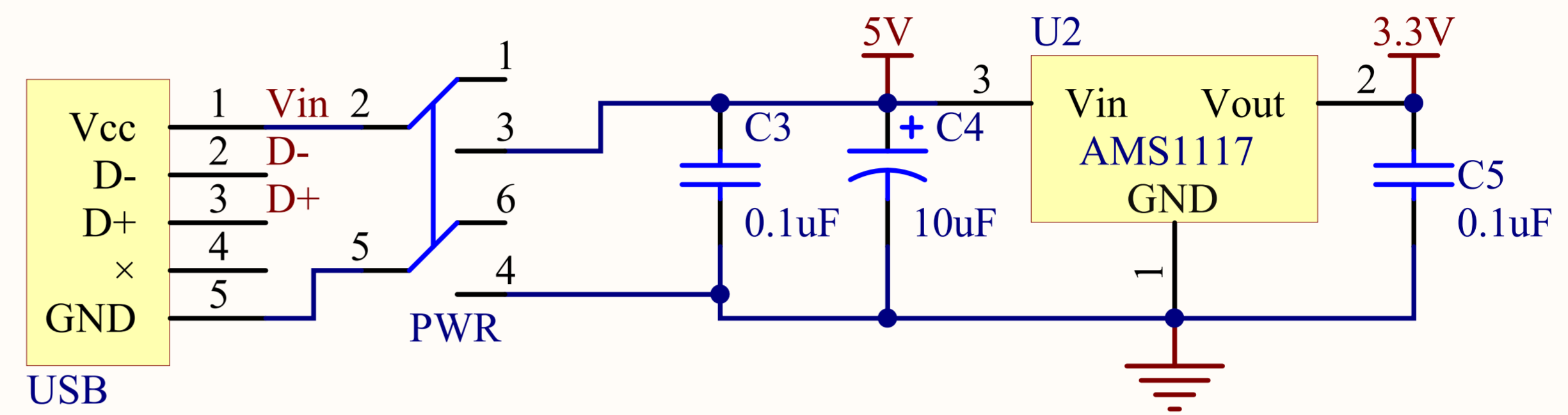
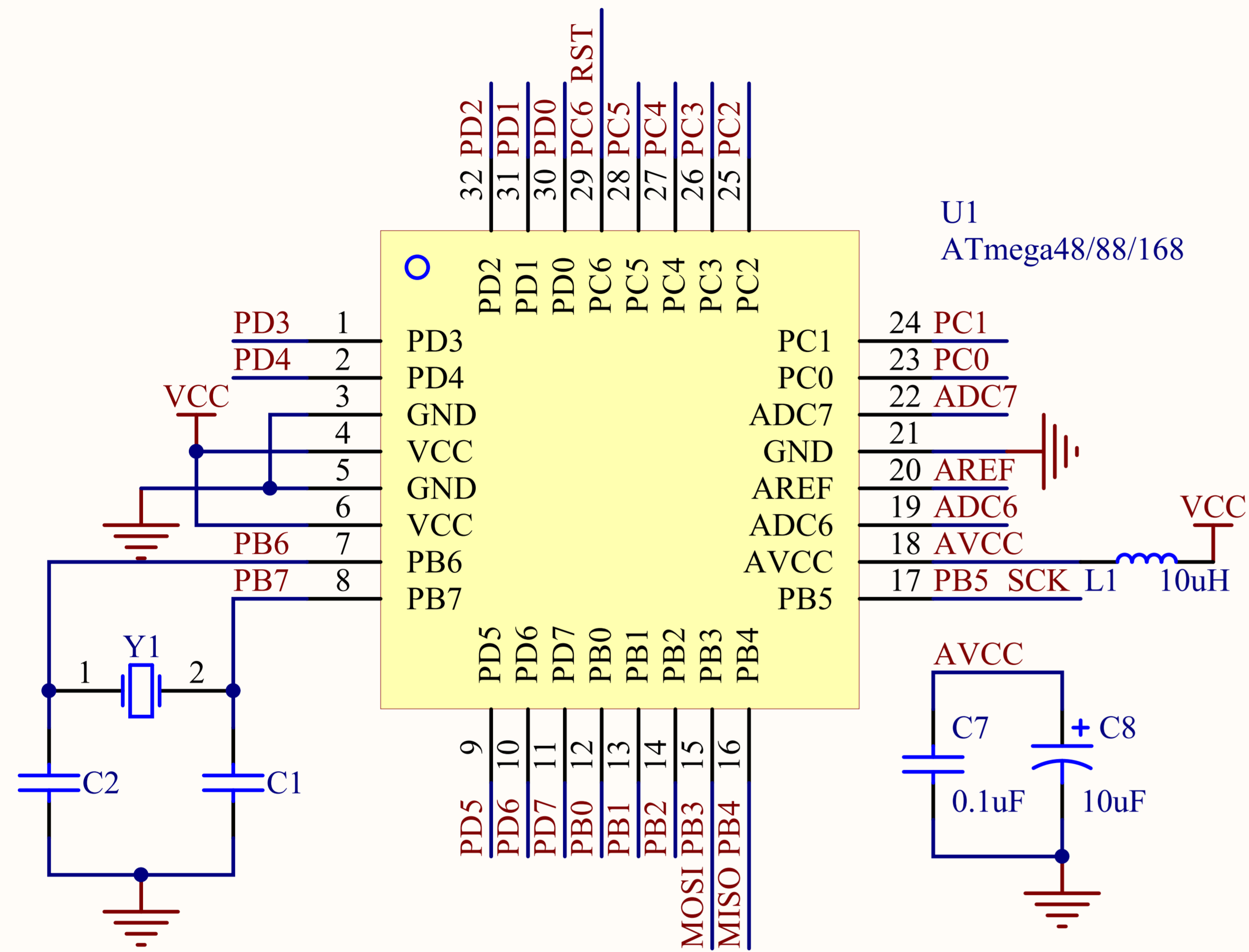
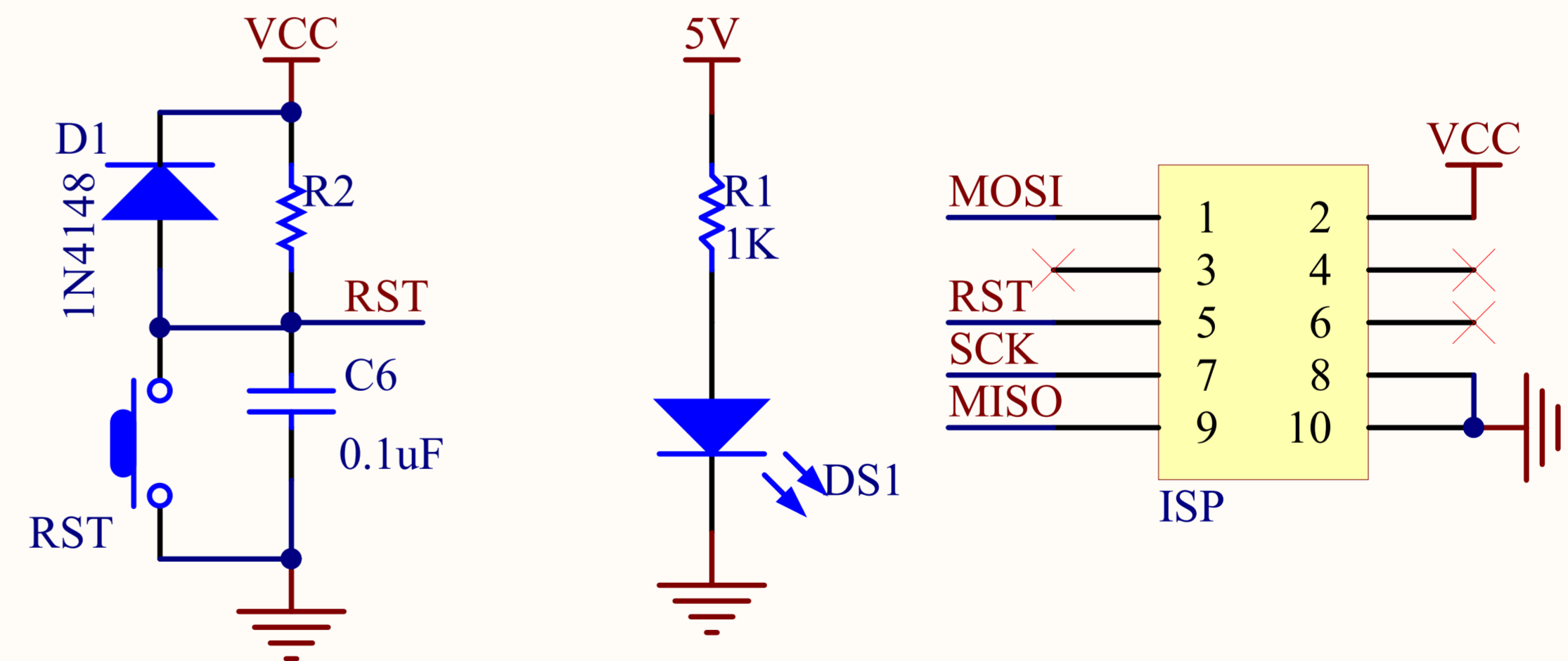
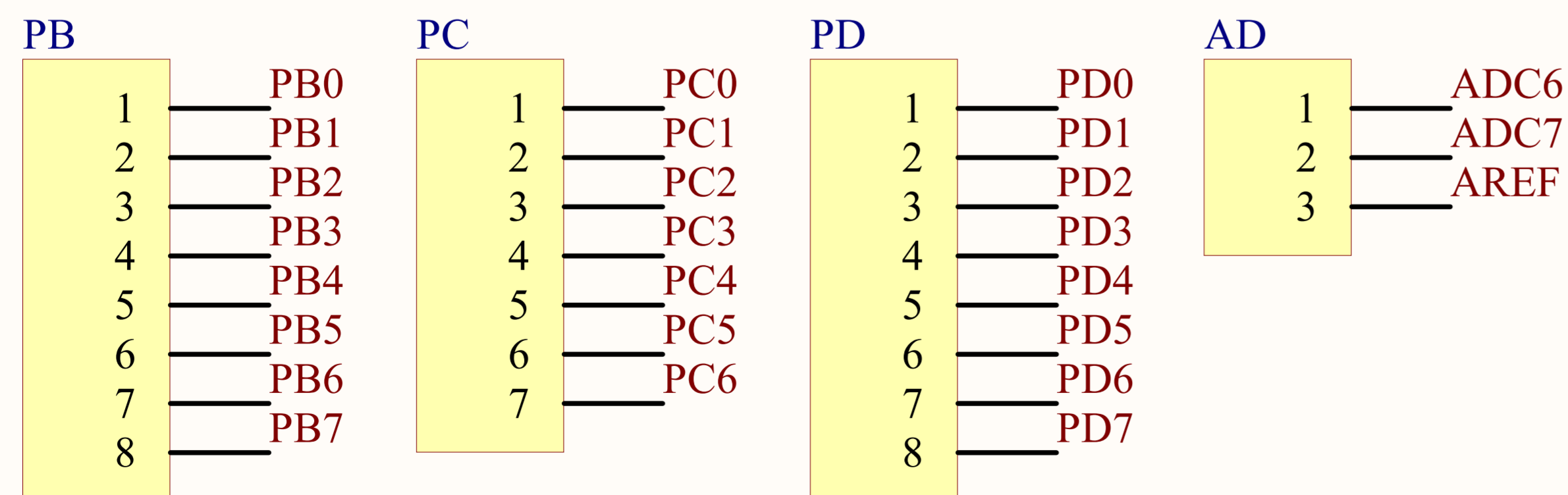


<http://iteadstudio.com>



I/O



Title		
ATmega48(V)/88(V)/168(V)		
Size	Number	Revision
A4		Ver 1.0
Date:	2010/6/13	Sheet of
File:	E:\Temp\ATMEGA48.SCHDOC	Drawn By: