

## Features

- Incorporates the ARM7TDMI® ARM® Thumb® Processor
  - High-performance 32-bit RISC Architecture
  - High-density 16-bit Instruction Set
  - Leader in MIPS/Watt
  - EmbeddedICE™ In-circuit Emulation, Debug Communication Channel Support
- Internal High-speed Flash
  - 512 Kbytes (AT91SAM7S512) Organized in Two Contiguous Banks of 1024 Pages of 256 Bytes (Dual Plane)
  - 256 Kbytes (AT91SAM7S256) Organized in 1024 Pages of 256 Bytes (Single Plane)
  - 128 Kbytes (AT91SAM7S128) Organized in 512 Pages of 256 Bytes (Single Plane)
  - 64 Kbytes (AT91SAM7S64) Organized in 512 Pages of 128 Bytes (Single Plane)
  - 32 Kbytes (AT91SAM7S321/32) Organized in 256 Pages of 128 Bytes (Single Plane)
  - 16 Kbytes (AT91SAM7S161/16) Organized in 256 Pages of 64 Bytes (Single Plane)
  - Single Cycle Access at Up to 30 MHz in Worst Case Conditions
  - Prefetch Buffer Optimizing Thumb Instruction Execution at Maximum Speed
  - Page Programming Time: 6 ms, Including Page Auto-erase, Full Erase Time: 15 ms
  - 10,000 Write Cycles, 10-year Data Retention Capability, Sector Lock Capabilities, Flash Security Bit
  - Fast Flash Programming Interface for High Volume Production
- Internal High-speed SRAM, Single-cycle Access at Maximum Speed
  - 64 Kbytes (AT91SAM7S512/256)
  - 32 Kbytes (AT91SAM7S128)
  - 16 Kbytes (AT91SAM7S64)
  - 8 Kbytes (AT91SAM7S321/32)
  - 4 Kbytes (AT91SAM7S161/16)
- Memory Controller (MC)
  - Embedded Flash Controller, Abort Status and Misalignment Detection
- Reset Controller (RSTC)
  - Based on Power-on Reset and Low-power Factory-calibrated Brown-out Detector
  - Provides External Reset Signal Shaping and Reset Source Status
- Clock Generator (CKGR)
  - Low-power RC Oscillator, 3 to 20 MHz On-chip Oscillator and one PLL
- Power Management Controller (PMC)
  - Software Power Optimization Capabilities, Including Slow Clock Mode (Down to 500 Hz) and Idle Mode
  - Three Programmable External Clock Signals
- Advanced Interrupt Controller (AIC)
  - Individually Maskable, Eight-level Priority, Vectored Interrupt Sources
  - Two (AT91SAM7S512/256/128/64/321/161) or One (AT91SAM7S32/16) External Interrupt Source(s) and One Fast Interrupt Source, Spurious Interrupt Protected
- Debug Unit (DBGU)
  - 2-wire UART and Support for Debug Communication Channel interrupt, Programmable ICE Access Prevention
  - Mode for General Purpose 2-wire UART Serial Communication
- Periodic Interval Timer (PIT)
  - 20-bit Programmable Counter plus 12-bit Interval Counter
- Windowed Watchdog (WDT)
  - 12-bit key-protected Programmable Counter
  - Provides Reset or Interrupt Signals to the System
  - Counter May Be Stopped While the Processor is in Debug State or in Idle Mode



## AT91 ARM Thumb-based Microcontrollers

**AT91SAM7S512**  
**AT91SAM7S256**  
**AT91SAM7S128**  
**AT91SAM7S64**  
**AT91SAM7S321**  
**AT91SAM7S32**  
**AT91SAM7S161**  
**AT91SAM7S16**  
**Preliminary**

6175J-ATARM-07-Dec-09





- **Real-time Timer (RTT)**
  - 32-bit Free-running Counter with Alarm
  - Runs Off the Internal RC Oscillator
- **One Parallel Input/Output Controller (PIOA)**
  - Thirty-two (AT91SAM7S512/256/128/64/321/161) or twenty-one (AT91SAM7S32/16) Programmable I/O Lines Multiplexed with up to Two Peripheral I/Os
  - Input Change Interrupt Capability on Each I/O Line
  - Individually Programmable Open-drain, Pull-up resistor and Synchronous Output
- **Eleven (AT91SAM7S512/256/128/64/321/161) or Nine (AT91SAM7S32/16) Peripheral DMA Controller (PDC) Channels**
- **One USB 2.0 Full Speed (12 Mbits per Second) Device Port (Except for the AT91SAM7S32/16).**
  - On-chip Transceiver, 328-byte Configurable Integrated FIFOs
- **One Synchronous Serial Controller (SSC)**
  - Independent Clock and Frame Sync Signals for Each Receiver and Transmitter
  - I<sup>2</sup>S Analog Interface Support, Time Division Multiplex Support
  - High-speed Continuous Data Stream Capabilities with 32-bit Data Transfer
- **Two (AT91SAM7S512/256/128/64/321/161) or One (AT91SAM7S32/16) Universal Synchronous/Asynchronous Receiver Transmitters (USART)**
  - Individual Baud Rate Generator, IrDA<sup>®</sup> Infrared Modulation/Demodulation
  - Support for ISO7816 T0/T1 Smart Card, Hardware Handshaking, RS485 Support
  - Full Modem Line Support on USART1 (AT91SAM7S512/256/128/64/321/161)
- **One Master/Slave Serial Peripheral Interface (SPI)**
  - 8- to 16-bit Programmable Data Length, Four External Peripheral Chip Selects
- **One Three-channel 16-bit Timer/Counter (TC)**
  - Three External Clock Input and Two Multi-purpose I/O Pins per Channel (AT91SAM7S512/256/128/64/321/161)
  - One External Clock Input and Two Multi-purpose I/O Pins for the first Two Channels Only (AT91SAM7S32/16)
  - Double PWM Generation, Capture/Waveform Mode, Up/Down Capability
- **One Four-channel 16-bit PWM Controller (PWMC)**
- **One Two-wire Interface (TWI)**
  - Master Mode Support Only, All Two-wire Atmel EEPROMs and I<sup>2</sup>C Compatible Devices Supported (AT91SAM7S512/256/128/64/321/32)
  - Master, Multi-Master and Slave Mode Support, All Two-wire Atmel EEPROMs and I<sup>2</sup>C Compatible Devices Supported (AT91SAM7S161/16)
- **One 8-channel 10-bit Analog-to-Digital Converter, Four Channels Multiplexed with Digital I/Os**
- **SAM-BA™ Boot Assistant**
  - Default Boot program
  - Interface with SAM-BA Graphic User Interface
- **IEEE<sup>®</sup> 1149.1 JTAG Boundary Scan on All Digital Pins**
- **5V-tolerant I/Os, including Four High-current Drive I/O lines, Up to 16 mA Each (AT91SAM7S161/16 I/Os Not 5V-tolerant)**
- **Power Supplies**
  - Embedded 1.8V Regulator, Drawing up to 100 mA for the Core and External Components
  - 3.3V or 1.8V VDDIO I/O Lines Power Supply, Independent 3.3V VDDFLASH Flash Power Supply
  - 1.8V VDDCORE Core Power Supply with Brown-out Detector
- **Fully Static Operation: Up to 55 MHz at 1.65V and 85° C Worst Case Conditions**
- **Available in 64-lead LQFP Green or 64-pad QFN Green Package (AT91SAM7S512/256/128/64/321/161) and 48-lead LQFP Green or 48-pad QFN Green Package (AT91SAM7S32/16)**

## 1. Description

Atmel's AT91SAM7S is a series of low pincount Flash microcontrollers based on the 32-bit ARM RISC processor. It features a high-speed Flash and an SRAM, a large set of peripherals, including a USB 2.0 device (except for the AT91SAM7S32 and AT91SAM7S16), and a complete set of system functions minimizing the number of external components. The device is an ideal migration path for 8-bit microcontroller users looking for additional performance and extended memory.

The embedded Flash memory can be programmed in-system via the JTAG-ICE interface or via a parallel interface on a production programmer prior to mounting. Built-in lock bits and a security bit protect the firmware from accidental overwrite and preserves its confidentiality.

The AT91SAM7S Series system controller includes a reset controller capable of managing the power-on sequence of the microcontroller and the complete system. Correct device operation can be monitored by a built-in brownout detector and a watchdog running off an integrated RC oscillator.

The AT91SAM7S Series are general-purpose microcontrollers. Their integrated USB Device port makes them ideal devices for peripheral applications requiring connectivity to a PC or cellular phone. Their aggressive price point and high level of integration pushes their scope of use far into the cost-sensitive, high-volume consumer market.

### 1.1 Configuration Summary of the AT91SAM7S512, AT91SAM7S256, AT91SAM7S128, AT91SAM7S64, AT91SAM7S321, AT91SAM7S32, AT91SAM7S161 and AT91SAM7S16

The AT91SAM7S512, AT91SAM7S256, AT91SAM7S128, AT91SAM7S64, AT91SAM7S321, AT91SAM7S32, AT91SAM7S161 and AT91SAM7S16 differ in memory size, peripheral set and package. [Table 1-1](#) summarizes the configuration of the six devices.

Except for the AT91SAM7S32/16, all other AT91SAM7S devices are package and pinout compatible.

**Table 1-1.** Configuration Summary

| Device       | Flash      | TWI              | Flash Organization | SRAM      | USB Device Port | USART                             | External Interrupt Source | PDC Channels | TC Channels      | I/O 5V Tolerant | I/O Lines | Package         |
|--------------|------------|------------------|--------------------|-----------|-----------------|-----------------------------------|---------------------------|--------------|------------------|-----------------|-----------|-----------------|
| AT91SAM7S512 | 512 Kbytes | Master           | dual plane         | 64 Kbytes | 1               | 2 <sup>(1)</sup> 2 <sup>(2)</sup> | 2                         | 11           | 3                | Yes             | 32        | LQFP/<br>QFN 64 |
| AT91SAM7S256 | 256 Kbytes | Master           | single plane       | 64 Kbytes | 1               | 2 <sup>(1)</sup> 2 <sup>(2)</sup> | 2                         | 11           | 3                | Yes             | 32        | LQFP/<br>QFN 64 |
| AT91SAM7S128 | 128 Kbytes | Master           | single plane       | 32 Kbytes | 1               | 2 <sup>(1)</sup> 2 <sup>(2)</sup> | 2                         | 11           | 3                | Yes             | 32        | LQFP/<br>QFN 64 |
| AT91SAM7S64  | 64 Kbytes  | Master           | single plane       | 16 Kbytes | 1               | 2 <sup>(2)</sup>                  | 2                         | 11           | 3                | Yes             | 32        | LQFP/<br>QFN 64 |
| AT91SAM7S321 | 32 Kbytes  | Master           | single plane       | 8 Kbytes  | 1               | 2 <sup>(2)</sup>                  | 2                         | 11           | 3                | Yes             | 32        | LQFP/<br>QFN 64 |
| AT91SAM7S32  | 32 Kbytes  | Master           | single plane       | 8 Kbytes  | not present     | 1                                 | 1                         | 9            | 3 <sup>(3)</sup> | Yes             | 21        | LQFP/<br>QFN 48 |
| AT91SAM7S161 | 16 Kbytes  | Master/<br>Slave | single plane       | 4 Kbytes  | 1               | 2 <sup>(2)</sup>                  | 2                         | 11           | 3                | No              | 32        | LQFP            |
| AT91SAM7S16  | 16 Kbytes  | Master/<br>Slave | single plane       | 4 Kbytes  | not present     | 1                                 | 1                         | 9            | 3 <sup>(3)</sup> | No              | 21        | LQFP/<br>QFN 48 |

- Notes:
1. Fractional Baud Rate.
  2. Full modem line support on USART1.
  3. Only two TC channels are accessible through the PIO.



## 2. Block Diagram

Figure 2-1. AT91SAM7S512/256/128/64/321/161 Block Diagram

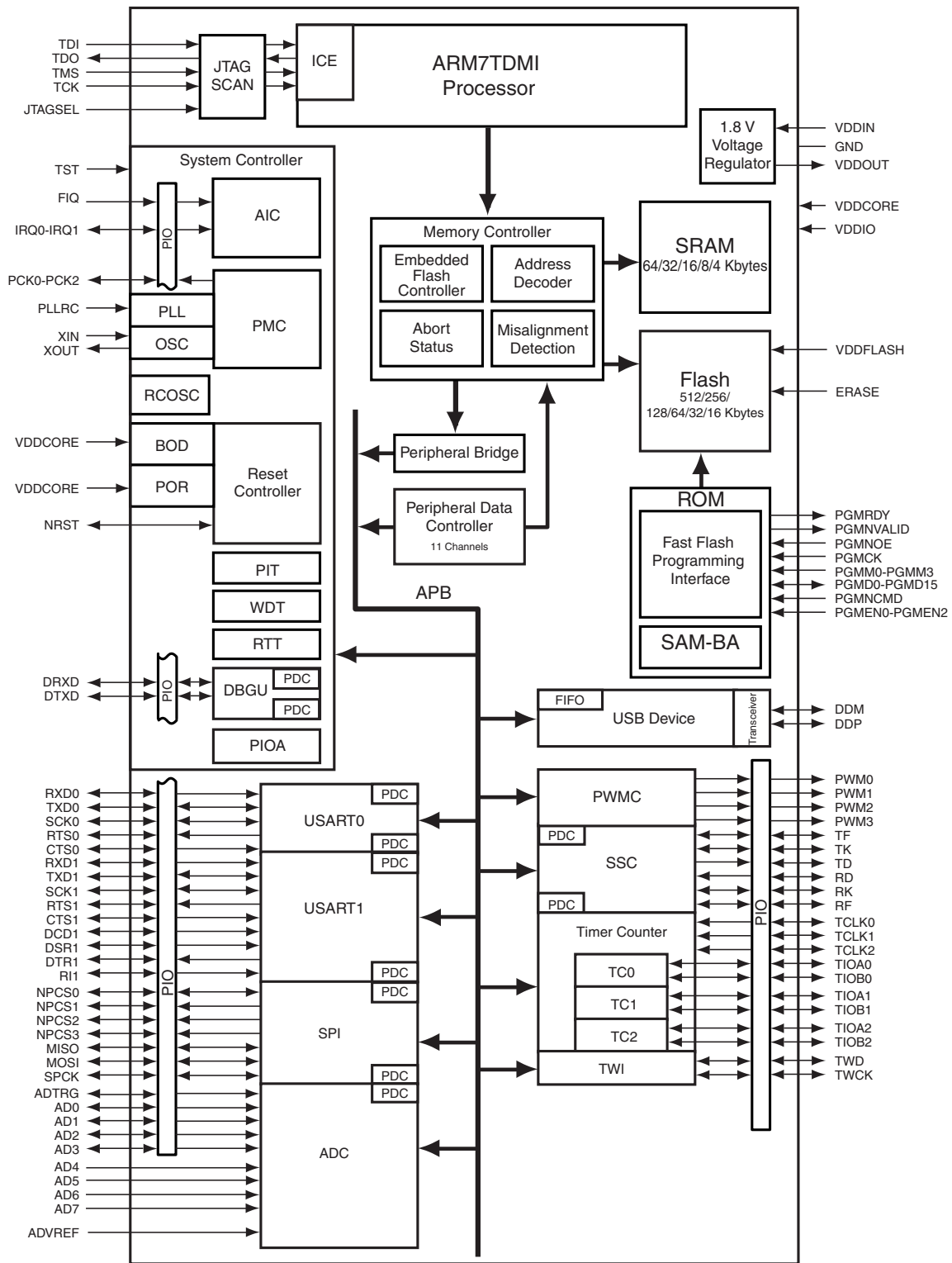
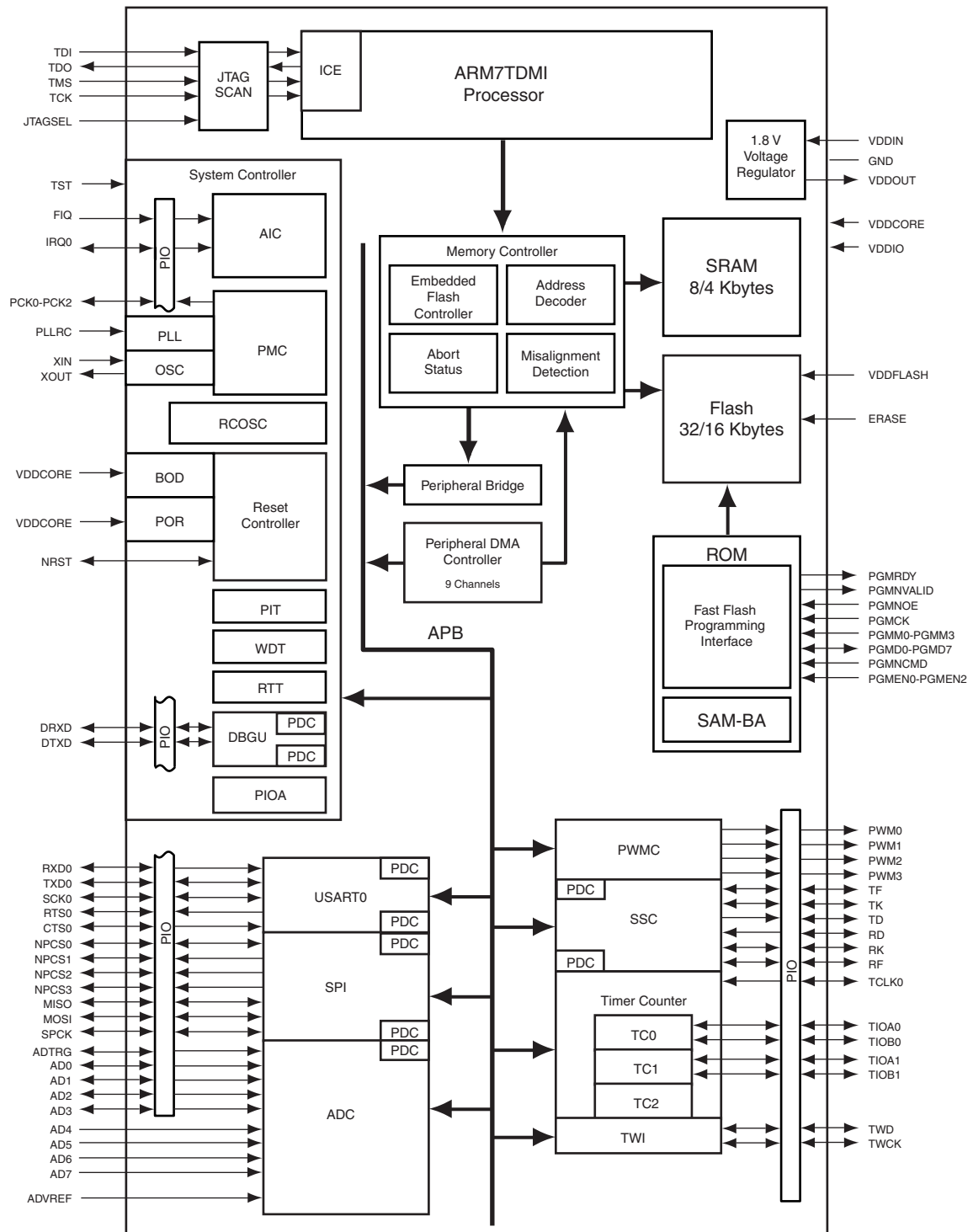


Figure 2-2. AT91SAM7S32/16 Block Diagram



### 3. Signal Description

**Table 3-1.** Signal Description List

| Signal Name                         | Function                                       | Type   | Active Level | Comments  |
|-------------------------------------|--|--------|--------------|---|
| <b>Power</b>                        |  |        |              |   |
| VDDIN                               | Voltage and ADC Regulator Power Supply Input   | Power  |              | 3.0 to 3.6V   |
| VDDOUT                              | Voltage Regulator Output                       | Power  |              | 1.85V nominal   |
| VDDFLASH                            | Flash Power Supply                             | Power  |              | 3.0V to 3.6V  |
| VDDIO                               | I/O Lines Power Supply                         | Power  |              | 3.0V to 3.6V or 1.65V to 1.95V                                |
| VDDCORE                             | Core Power Supply                              | Power  |              | 1.65V to 1.95V  |
| VDDPLL                              | PLL  | Power  |              | 1.65V to 1.95V  |
| GND                                 | Ground   | Ground |              |   |
| <b>Clocks, Oscillators and PLLs</b> |  |        |              |   |
| XIN                                 | Main Oscillator Input                          | Input  |              |   |
| XOUT                                | Main Oscillator Output                         | Output |              |   |
| PLLRC                               | PLL Filter                                     | Input  |              |   |
| PCK0 - PCK2                         | Programmable Clock Output                      | Output |              |   |
| <b>ICE and JTAG</b>                 |  |        |              |   |
| TCK                                 | Test Clock                                     | Input  |              | No pull-up resistor   |
| TDI                                 | Test Data In                                   | Input  |              | No pull-up resistor   |
| TDO                                 | Test Data Out                                  | Output |              |   |
| TMS                                 | Test Mode Select                               | Input  |              | No pull-up resistor   |
| JTAGSEL                             | JTAG Selection                                 | Input  |              | Pull-down resistor <sup>(1)</sup>                             |
| <b>Flash Memory</b>                 |  |        |              |   |
| ERASE                               | Flash and NVM Configuration Bits Erase Command | Input  | High         | Pull-down resistor <sup>(1)</sup>                             |
| <b>Reset/Test</b>                   |  |        |              |   |
| NRST                                | Microcontroller Reset                          | I/O    | Low          | Open-drain with pull-Up resistor                              |
| TST                                 | Test Mode Select                               | Input  | High         | Pull-down resistor <sup>(1)</sup>                             |
| <b>Debug Unit</b>                   |  |        |              |   |
| DRXD                                | Debug Receive Data                             | Input  |              |   |
| DTXD                                | Debug Transmit Data                            | Output |              |   |
| <b>AIC</b>                          |  |        |              |   |
| IRQ0 - IRQ1                         | External Interrupt Inputs                      | Input  |              | IRQ1 not present on AT91SAM7S32/16                            |
| FIQ                                 | Fast Interrupt Input                           | Input  |              |   |
| <b>PIO</b>                          |  |        |              |   |
| PA0 - PA31                          | Parallel IO Controller A                       | I/O    |              | Pulled-up input at reset<br>PA0 - PA20 only on AT91SAM7S32/16 |

**Table 3-1.** Signal Description List (Continued)

| Signal Name                          | Function                          | Type   | Active Level | Comments                                      |
|--------------------------------------|-----------------------------------|--------|--------------|---|
| <b>USB Device Port</b>               |                                   |        |              |   |
| DDM                                  | USB Device Port Data -            | Analog |              | not present on AT91SAM7S32/16                 |
| DDP                                  | USB Device Port Data +            | Analog |              | not present on AT91SAM7S32/16                 |
| <b>USART</b>                         |                                   |        |              |   |
| SCK0 - SCK1                          | Serial Clock                      | I/O    |              | SCK1 not present on AT91SAM7S32/16            |
| TXD0 - TXD1                          | Transmit Data                     | I/O    |              | TXD1 not present on AT91SAM7S32/16            |
| RXD0 - RXD1                          | Receive Data                      | Input  |              | RXD1 not present on AT91SAM7S32/16            |
| RTS0 - RTS1                          | Request To Send                   | Output |              | RTS1 not present on AT91SAM7S32/16            |
| CTS0 - CTS1                          | Clear To Send                     | Input  |              | CTS1 not present on AT91SAM7S32/16            |
| DCD1                                 | Data Carrier Detect               | Input  |              | not present on AT91SAM7S32/16                 |
| DTR1                                 | Data Terminal Ready               | Output |              | not present on AT91SAM7S32/16                 |
| DSR1                                 | Data Set Ready                    | Input  |              | not present on AT91SAM7S32/16                 |
| RI1                                  | Ring Indicator                    | Input  |              | not present on AT91SAM7S32/16                 |
| <b>Synchronous Serial Controller</b> |                                   |        |              |   |
| TD                                   | Transmit Data                     | Output |              |   |
| RD                                   | Receive Data                      | Input  |              |   |
| TK                                   | Transmit Clock                    | I/O    |              |   |
| RK                                   | Receive Clock                     | I/O    |              |   |
| TF                                   | Transmit Frame Sync               | I/O    |              |   |
| RF                                   | Receive Frame Sync                | I/O    |              |   |
| <b>Timer/Counter</b>                 |                                   |        |              |   |
| TCLK0 - TCLK2                        | External Clock Inputs             | Input  |              | TCLK1 and TCLK2 not present on AT91SAM7S32/16 |
| TIOA0 - TIOA2                        | I/O Line A                        | I/O    |              | TIOA2 not present on AT91SAM7S32/16           |
| TIOB0 - TIOB2                        | I/O Line B                        | I/O    |              | TIOB2 not present on AT91SAM7S32/16           |
| <b>PWM Controller</b>                |                                   |        |              |   |
| PWM0 - PWM3                          | PWM Channels                      | Output |              |   |
| <b>SPI</b>                           |                                   |        |              |   |
| MISO                                 | Master In Slave Out               | I/O    |              |   |
| MOSI                                 | Master Out Slave In               | I/O    |              |   |
| SPCK                                 | SPI Serial Clock                  | I/O    |              |   |
| NPCS0                                | SPI Peripheral Chip Select 0      | I/O    | Low          |   |
| NPCS1-NPCS3                          | SPI Peripheral Chip Select 1 to 3 | Output | Low          |   |

**Table 3-1.** Signal Description List (Continued)

| Signal Name                             | Function              | Type   | Active Level | Comments                           |
|---|-----------------------|--------|--------------|------------------------------------|
| <b>Two-Wire Interface</b>               |                       |        |              |                                    |
| TWD                                     | Two-wire Serial Data  | I/O    |              |                                    |
| TWCK                                    | Two-wire Serial Clock | I/O    |              |                                    |
| <b>Analog-to-Digital Converter</b>      |                       |        |              |                                    |
| AD0-AD3                                 | Analog Inputs         | Analog |              | Digital pulled-up inputs at reset  |
| AD4-AD7                                 | Analog Inputs         | Analog |              | Analog Inputs                      |
| ADTRG                                   | ADC Trigger           | Input  |              |                                    |
| ADVREF                                  | ADC Reference         | Analog |              |                                    |
| <b>Fast Flash Programming Interface</b> |                       |        |              |                                    |
| PGMEN0-PGMEN2                           | Programming Enabling  | Input  |              |                                    |
| PGMM0-PGMM3                             | Programming Mode      | Input  |              |                                    |
| PGMD0-PGMD15                            | Programming Data      | I/O    |              | PGMD0-PGMD7 only on AT91SAM7S32/16 |
| PGMRDY                                  | Programming Ready     | Output | High         |                                    |
| PGMNVALID                               | Data Direction        | Output | Low          |                                    |
| PGMNOE                                  | Programming Read      | Input  | Low          |                                    |
| PGMCK                                   | Programming Clock     | Input  |              |                                    |
| PGMNCMD                                 | Programming Command   | Input  | Low          |                                    |

Note: 1. Refer to [Section 6. "I/O Lines Considerations"](#) on page 14.



## 4. Package and Pinout

The AT91SAM7S512/256/128/64/321 are available in a 64-lead LQFP or 64-pad QFN package.

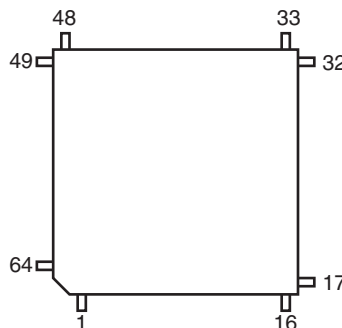
The AT91SAM7S161 is available in a 64-Lead LQFP package.

The AT91SAM7S32/16 are available in a 48-lead LQFP or 48-pad QFN package.

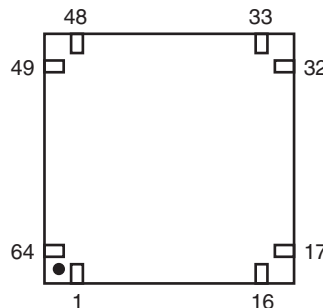
### 4.1 64-lead LQFP and 64-pad QFN Package Outlines

Figure 4-1 and Figure 4-2 show the orientation of the 64-lead LQFP and the 64-pad QFN package. A detailed mechanical description is given in the section Mechanical Characteristics of the full datasheet.

**Figure 4-1.** 64-lead LQFP Package (Top View)



**Figure 4-2.** 64-pad QFN Package (Top View)



## 4.2 64-lead LQFP and 64-pad QFN Pinout

**Table 4-1.** AT91SAM7S512/256/128/64/321/161 Pinout<sup>(1)</sup>

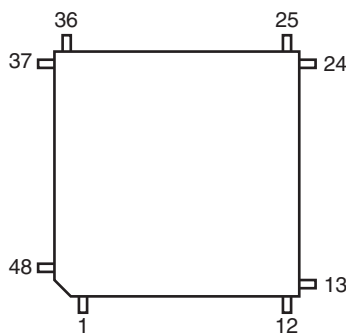
|    |                |    |               |    |             |    |           |
|----|----------------|----|---------------|----|-------------|----|-----------|
| 1  | ADVREF         | 17 | GND           | 33 | TDI         | 49 | TDO       |
| 2  | GND            | 18 | VDDIO         | 34 | PA6/PGMNOE  | 50 | JTAGSEL   |
| 3  | AD4            | 19 | PA16/PGMD4    | 35 | PA5/PGMRDY  | 51 | TMS       |
| 4  | AD5            | 20 | PA15/PGMD3    | 36 | PA4/PGMNCMD | 52 | PA31      |
| 5  | AD6            | 21 | PA14/PGMD2    | 37 | PA27/PGMD15 | 53 | TCK       |
| 6  | AD7            | 22 | PA13/PGMD1    | 38 | PA28        | 54 | VDDCORE   |
| 7  | VDDIN          | 23 | PA24/PGMD12   | 39 | NRST        | 55 | ERASE     |
| 8  | VDDOUT         | 24 | VDDCORE       | 40 | TST         | 56 | DDM       |
| 9  | PA17/PGMD5/AD0 | 25 | PA25/PGMD13   | 41 | PA29        | 57 | DDP       |
| 10 | PA18/PGMD6/AD1 | 26 | PA26/PGMD14   | 42 | PA30        | 58 | VDDIO     |
| 11 | PA21/PGMD9     | 27 | PA12/PGMD0    | 43 | PA3         | 59 | VDDFLASH  |
| 12 | VDDCORE        | 28 | PA11/PGMM3    | 44 | PA2/PGMEN2  | 60 | GND       |
| 13 | PA19/PGMD7/AD2 | 29 | PA10/PGMM2    | 45 | VDDIO       | 61 | XOUT      |
| 14 | PA22/PGMD10    | 30 | PA9/PGMM1     | 46 | GND         | 62 | XIN/PGMCK |
| 15 | PA23/PGMD11    | 31 | PA8/PGMM0     | 47 | PA1/PGMEN1  | 63 | PLLRC     |
| 16 | PA20/PGMD8/AD3 | 32 | PA7/PGMNVALID | 48 | PA0/PGMEN0  | 64 | VDDPLL    |

Note: 1. The bottom pad of the QFN package must be connected to ground.

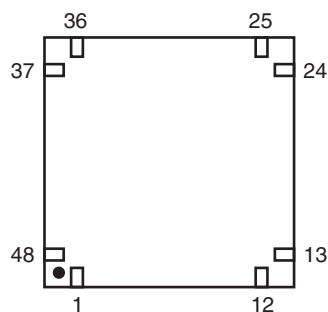
## 4.3 48-lead LQFP and 48-pad QFN Package Outlines

Figure 4-3 and Figure 4-4 show the orientation of the 48-lead LQFP and the 48-pad QFN package. A detailed mechanical description is given in the section Mechanical Characteristics of the full datasheet.

**Figure 4-3.** 48-lead LQFP Package (Top View)



**Figure 4-4.** 48-pad QFN Package (Top View)



## 4.4 48-lead LQFP and 48-pad QFN Pinout

**Table 4-2.** AT91SAM7S32/16 Pinout<sup>(1)</sup>

|    |                |    |               |    |             |    |           |
|----|----------------|----|---------------|----|-------------|----|-----------|
| 1  | ADVREF         | 13 | VDDIO         | 25 | TDI         | 37 | TDO       |
| 2  | GND            | 14 | PA16/PGMD4    | 26 | PA6/PGMNOE  | 38 | JTAGSEL   |
| 3  | AD4            | 15 | PA15/PGMD3    | 27 | PA5/PGMRDY  | 39 | TMS       |
| 4  | AD5            | 16 | PA14/PGMD2    | 28 | PA4/PGMNCMD | 40 | TCK       |
| 5  | AD6            | 17 | PA13/PGMD1    | 29 | NRST        | 41 | VDDCORE   |
| 6  | AD7            | 18 | VDDCORE       | 30 | TST         | 42 | ERASE     |
| 7  | VDDIN          | 19 | PA12/PGMD0    | 31 | PA3         | 43 | VDDFLASH  |
| 8  | VDDOUT         | 20 | PA11/PGMM3    | 32 | PA2/PGMEN2  | 44 | GND       |
| 9  | PA17/PGMD5/AD0 | 21 | PA10/PGMM2    | 33 | VDDIO       | 45 | XOUT      |
| 10 | PA18/PGMD6/AD1 | 22 | PA9/PGMM1     | 34 | GND         | 46 | XIN/PGMCK |
| 11 | PA19/PGMD7/AD2 | 23 | PA8/PGMM0     | 35 | PA1/PGMEN1  | 47 | PLLRC     |
| 12 | PA20/AD3       | 24 | PA7/PGMNVALID | 36 | PA0/PGMEN0  | 48 | VDDPLL    |

Note: 1. The bottom pad of the QFN package must be connected to ground.

## 5. Power Considerations

### 5.1 Power Supplies

The AT91SAM7S Series has six types of power supply pins and integrates a voltage regulator, allowing the device to be supplied with only one voltage. The six power supply pin types are:

- VDDIN pin. It powers the voltage regulator and the ADC; voltage ranges from 3.0V to 3.6V, 3.3V nominal.
- VDDOUT pin. It is the output of the 1.8V voltage regulator.
- VDDIO pin. It powers the I/O lines and the USB transceivers; dual voltage range is supported. Ranges from 3.0V to 3.6V, 3.3V nominal or from 1.65V to 1.95V, 1.8V nominal. Note that supplying less than 3.0V to VDDIO prevents any use of the USB transceivers.
- VDDFLASH pin. It powers a part of the Flash and is required for the Flash to operate correctly; voltage ranges from 3.0V to 3.6V, 3.3V nominal.
- VDDCORE pins. They power the logic of the device; voltage ranges from 1.65V to 1.95V, 1.8V typical. It can be connected to the VDDOUT pin with decoupling capacitor. VDDCORE is required for the device, including its embedded Flash, to operate correctly.

During startup, core supply voltage (VDDCORE) slope must be superior or equal to 6V/ms.

- VDDPLL pin. It powers the oscillator and the PLL. It can be connected directly to the VDDOUT pin.

No separate ground pins are provided for the different power supplies. Only GND pins are provided and should be connected as shortly as possible to the system ground plane.

In order to decrease current consumption, if the voltage regulator and the ADC are not used, VDDIN, ADVREF, AD4, AD5, AD6 and AD7 should be connected to GND. In this case VDDOUT should be left unconnected.

### 5.2 Power Consumption

The AT91SAM7S Series has a static current of less than 60  $\mu\text{A}$  on VDDCORE at 25°C, including the RC oscillator, the voltage regulator and the power-on reset. When the brown-out detector is activated, 20  $\mu\text{A}$  static current is added.

The dynamic power consumption on VDDCORE is less than 50 mA at full speed when running out of the Flash. Under the same conditions, the power consumption on VDDFLASH does not exceed 10 mA.

### 5.3 Voltage Regulator

The AT91SAM7S Series embeds a voltage regulator that is managed by the System Controller.

In Normal Mode, the voltage regulator consumes less than 100  $\mu\text{A}$  static current and draws 100 mA of output current.

The voltage regulator also has a Low-power Mode. In this mode, it consumes less than 25  $\mu\text{A}$  static current and draws 1 mA of output current.

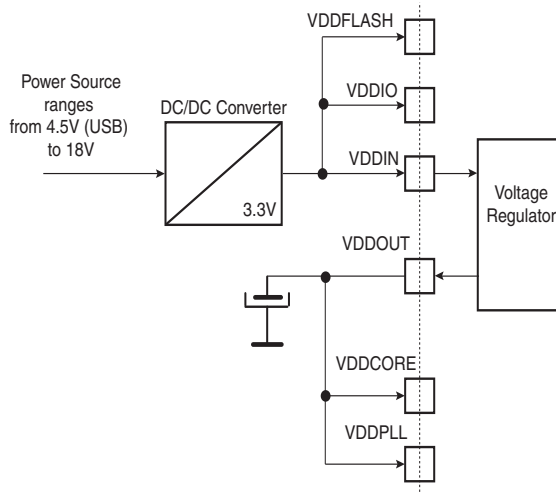
Adequate output supply decoupling is mandatory for VDDOUT to reduce ripple and avoid oscillations. The best way to achieve this is to use two capacitors in parallel: one external 470 pF (or 1 nF) NPO capacitor must be connected between VDDOUT and GND as close to the chip as possible. One external 2.2  $\mu\text{F}$  (or 3.3  $\mu\text{F}$ ) X7R capacitor must be connected between VDDOUT and GND.

Adequate input supply decoupling is mandatory for VDDIN in order to improve startup stability and reduce source voltage drop. The input decoupling capacitor should be placed close to the chip. For example, two capacitors can be used in parallel: 100 nF NPO and 4.7  $\mu$ F X7R.

## 5.4 Typical Powering Schematics

The AT91SAM7S Series supports a 3.3V single supply mode. The internal regulator is connected to the 3.3V source and its output feeds VDDCORE and the VDDPLL. [Figure 5-1](#) shows the power schematics to be used for USB bus-powered systems.

**Figure 5-1.** 3.3V System Single Power Supply Schematic



## 6. I/O Lines Considerations

### 6.1 JTAG Port Pins

TMS, TDI and TCK are schmitt trigger inputs. TMS and TCK are 5-V tolerant, TDI is not. TMS, TDI and TCK do not integrate a pull-up resistor.

TDO is an output, driven at up to VDDIO, and has no pull-up resistor.

The JTAGSEL pin is used to select the JTAG boundary scan when asserted at a high level. The JTAGSEL pin integrates a permanent pull-down resistor of about 15 k $\Omega$  to GND, so that it can be left unconnected for normal operations.

### 6.2 Test Pin

The TST pin is used for manufacturing test, fast programming mode or SAM-BA Boot Recovery of the AT91SAM7S Series when asserted high. The TST pin integrates a permanent pull-down resistor of about 15 k $\Omega$  to GND, so that it can be left unconnected for normal operations.

To enter fast programming mode, the TST pin and the PA0 and PA1 pins should be tied high and PA2 tied to low.

To enter SAM-BA Boot Recovery, the TST pin and the PA0, PA1 and PA2 pins should be tied high for at least 10 seconds. Then a power cycle of the board is mandatory.

Driving the TST pin at a high level while PA0 or PA1 is driven at 0 leads to unpredictable results.

### 6.3 Reset Pin

The NRST pin is bidirectional with an open drain output buffer. It is handled by the on-chip reset controller and can be driven low to provide a reset signal to the external components or asserted low externally to reset the microcontroller. There is no constraint on the length of the reset pulse, and the reset controller can guarantee a minimum pulse length. This allows connection of a simple push-button on the pin NRST as system user reset, and the use of the signal NRST to reset all the components of the system.

The NRST pin integrates a permanent pull-up resistor to VDDIO.

### 6.4 ERASE Pin

The ERASE pin is used to re-initialize the Flash content and some of its NVM bits. It integrates a permanent pull-down resistor of about 15 k $\Omega$  to GND, so that it can be left unconnected for normal operations.

### 6.5 PIO Controller A Lines

- All the I/O lines PA0 to PA31 on AT91SAM7S512/256/128/64/321 (PA0 to PA20 on AT91SAM7S32) are 5V-tolerant and all integrate a programmable pull-up resistor.
- All the I/O lines PA0 to PA31 on AT91SAM7S161 (PA0 to PA20 on AT91SAM7S16) are **not** 5V-tolerant and all integrate a programmable pull-up resistor.

Programming of this pull-up resistor is performed independently for each I/O line through the PIO controllers.

5V-tolerant means that the I/O lines can drive voltage level according to VDDIO, but can be driven with a voltage of up to 5.5V. However, driving an I/O line with a voltage over VDDIO while the programmable pull-up resistor is enabled will create a current path through the pull-up resistor.

tor from the I/O line to VDDIO. Care should be taken, in particular at reset, as all the I/O lines default to input with the pull-up resistor enabled at reset.

## 6.6 I/O Line Drive Levels

The PIO lines PA0 to PA3 are high-drive current capable. Each of these I/O lines can drive up to 16 mA permanently.

The remaining I/O lines can draw only 8 mA.

However, the total current drawn by all the I/O lines cannot exceed 150 mA (100 mA for AT91SAM7S32/16).

## 7. Processor and Architecture

### 7.1 ARM7TDMI Processor

- RISC processor based on ARMv4T Von Neumann architecture
  - Runs at up to 55 MHz, providing 0.9 MIPS/MHz
- Two instruction sets
  - ARM<sup>®</sup> high-performance 32-bit instruction set
  - Thumb<sup>®</sup> high code density 16-bit instruction set
- Three-stage pipeline architecture
  - Instruction Fetch (F)
  - Instruction Decode (D)
  - Execute (E)

### 7.2 Debug and Test Features

- Integrated EmbeddedICE<sup>™</sup> (embedded in-circuit emulator)
  - Two watchpoint units
  - Test access port accessible through a JTAG protocol
  - Debug communication channel
- Debug Unit
  - Two-pin UART
  - Debug communication channel interrupt handling
  - Chip ID Register
- IEEE1149.1 JTAG Boundary-scan on all digital pins

### 7.3 Memory Controller

- Bus Arbiter
  - Handles requests from the ARM7TDMI and the Peripheral DMA Controller
- Address decoder provides selection signals for
  - Three internal 1 Mbyte memory areas
  - One 256 Mbyte embedded peripheral area
- Abort Status Registers
  - Source, Type and all parameters of the access leading to an abort are saved
  - Facilitates debug by detection of bad pointers
- Misalignment Detector
  - Alignment checking of all data accesses
  - Abort generation in case of misalignment
- Remap Command
  - Remaps the SRAM in place of the embedded non-volatile memory
  - Allows handling of dynamic exception vectors
- Embedded Flash Controller
  - Embedded Flash interface, up to three programmable wait states



- Prefetch buffer, buffering and anticipating the 16-bit requests, reducing the required wait states
- Key-protected program, erase and lock/unlock sequencer
- Single command for erasing, programming and locking operations
- Interrupt generation in case of forbidden operation

## 7.4 Peripheral DMA Controller

- Handles data transfer between peripherals and memories
- Eleven channels: AT91SAM7S512/256/128/64/321/161
- Nine channels: AT91SAM7S32/16
  - Two for each USART
  - Two for the Debug Unit
  - Two for the Serial Synchronous Controller
  - Two for the Serial Peripheral Interface
  - One for the Analog-to-digital Converter
- Low bus arbitration overhead
  - One Master Clock cycle needed for a transfer from memory to peripheral
  - Two Master Clock cycles needed for a transfer from peripheral to memory
- Next Pointer management for reducing interrupt latency requirements
- Peripheral DMA Controller (PDC) priority is as follows (from the highest priority to the lowest):

|          |        |
|----------|--------|
| Receive  | DBGU   |
| Receive  | USART0 |
| Receive  | USART1 |
| Receive  | SSC    |
| Receive  | ADC    |
| Receive  | SPI    |
| Transmit | DBGU   |
| Transmit | USART0 |
| Transmit | USART1 |
| Transmit | SSC    |
| Transmit | SPI    |

## 8. Memories

### 8.1 AT91SAM7S512

- 512 Kbytes of Flash Memory, dual plane
  - 2 contiguous banks of 1024 pages of 256 bytes
  - Fast access time, 30 MHz single-cycle access in Worst Case conditions
  - Page programming time: 6 ms, including page auto-erase
  - Page programming without auto-erase: 3 ms
  - Full chip erase time: 15 ms
  - 10,000 write cycles, 10-year data retention capability
  - 32 lock bits, protecting 32 sectors of 64 pages
  - Protection Mode to secure contents of the Flash
- 64 Kbytes of Fast SRAM
  - Single-cycle access at full speed

### 8.2 AT91SAM7S256

- 256 Kbytes of Flash Memory, single plane
  - 1024 pages of 256 bytes
  - Fast access time, 30 MHz single-cycle access in Worst Case conditions
  - Page programming time: 6 ms, including page auto-erase
  - Page programming without auto-erase: 3 ms
  - Full chip erase time: 15 ms
  - 10,000 write cycles, 10-year data retention capability
  - 16 lock bits, protecting 16 sectors of 64 pages
  - Protection Mode to secure contents of the Flash
- 64 Kbytes of Fast SRAM
  - Single-cycle access at full speed

### 8.3 AT91SAM7S128

- 128 Kbytes of Flash Memory, single plane
  - 512 pages of 256 bytes
  - Fast access time, 30 MHz single-cycle access in Worst Case conditions
  - Page programming time: 6 ms, including page auto-erase
  - Page programming without auto-erase: 3 ms
  - Full chip erase time: 15 ms
  - 10,000 write cycles, 10-year data retention capability
  - 8 lock bits, protecting 8 sectors of 64 pages
  - Protection Mode to secure contents of the Flash
- 32 Kbytes of Fast SRAM
  - Single-cycle access at full speed

## 8.4 AT91SAM7S64

- 64 Kbytes of Flash Memory, single plane
  - 512 pages of 128 bytes
  - Fast access time, 30 MHz single-cycle access in Worst Case conditions
  - Page programming time: 6 ms, including page auto-erase
  - Page programming without auto-erase: 3 ms
  - Full chip erase time: 15 ms
  - 10,000 write cycles, 10-year data retention capability
  - 16 lock bits, protecting 16 sectors of 32 pages
  - Protection Mode to secure contents of the Flash
- 16 Kbytes of Fast SRAM
  - Single-cycle access at full speed

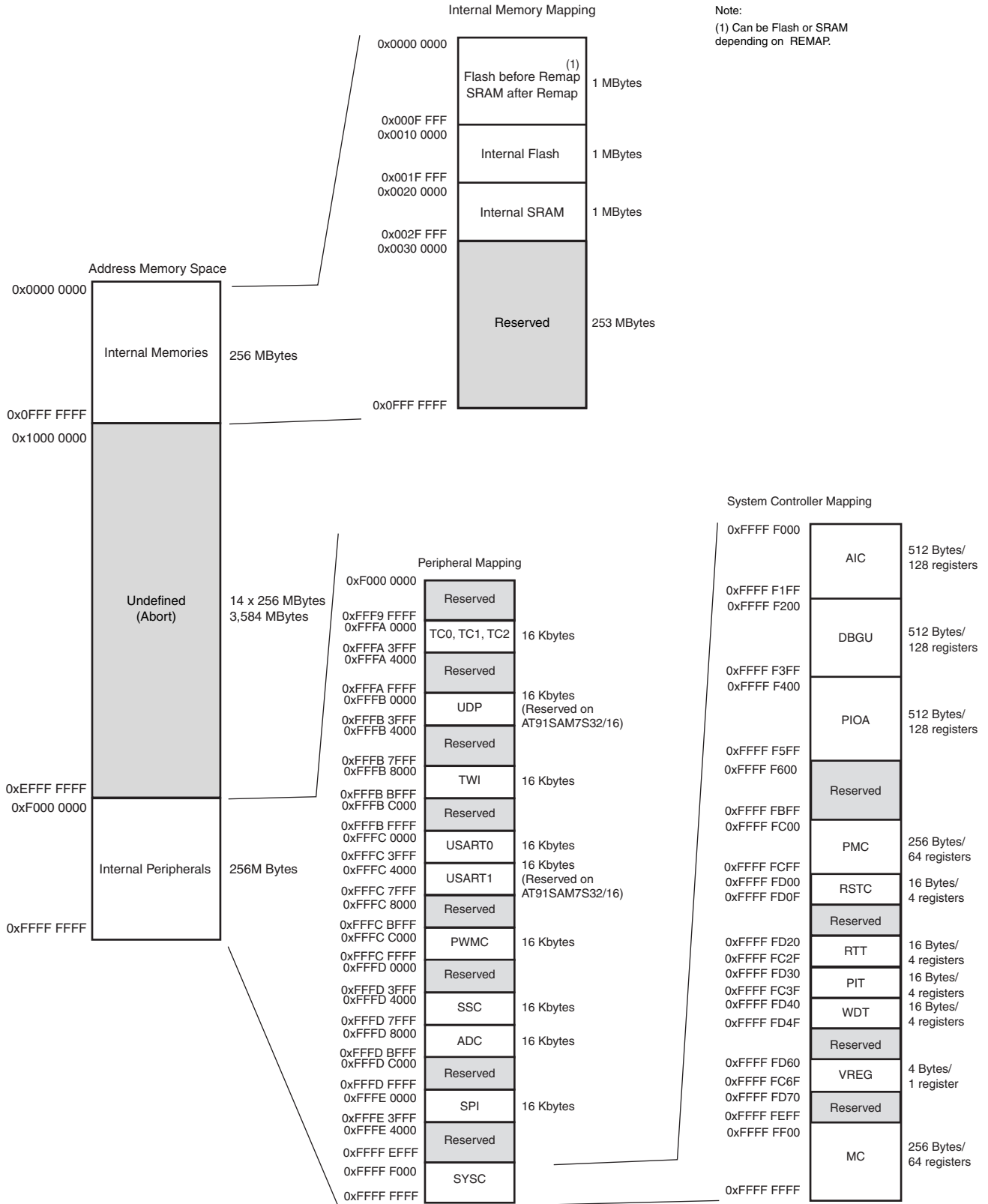
## 8.5 AT91SAM7S321/32

- 32 Kbytes of Flash Memory, single plane
  - 256 pages of 128 bytes
  - Fast access time, 30 MHz single-cycle access in Worst Case conditions
  - Page programming time: 6 ms, including page auto-erase
  - Page programming without auto-erase: 3 ms
  - Full chip erase time: 15 ms
  - 10,000 write cycles, 10-year data retention capability
  - 8 lock bits, protecting 8 sectors of 32 pages
  - Protection Mode to secure contents of the Flash
- 8 Kbytes of Fast SRAM
  - Single-cycle access at full speed

## 8.6 AT91SAM7S161/16

- 16 Kbytes of Flash Memory, single plane
  - 256 pages of 64 bytes
  - Fast access time, 30 MHz single-cycle access in Worst Case conditions
  - Page programming time: 6 ms, including page auto-erase
  - Page programming without auto-erase: 3 ms
  - Full chip erase time: 15 ms
  - 10,000 write cycles, 10-year data retention capability
  - 8 lock bits, protecting 8 sectors of 32 pages
  - Protection Mode to secure contents of the Flash
- 4 Kbytes of Fast SRAM
  - Single-cycle access at full speed

**Figure 8-1. AT91SAM7S512/256/128/64/321/32/161/16 Memory Mapping**



Note:  
(1) Can be Flash or SRAM depending on REMAP.

## 8.7 Memory Mapping

### 8.7.1 Internal SRAM

- The AT91SAM7S512 embeds a high-speed 64-Kbyte SRAM bank.
- The AT91SAM7S256 embeds a high-speed 64-Kbyte SRAM bank.
- The AT91SAM7S128 embeds a high-speed 32-Kbyte SRAM bank.
- The AT91SAM7S64 embeds a high-speed 16-Kbyte SRAM bank.
- The AT91SAM7S321 embeds a high-speed 8-Kbyte SRAM bank.
- The AT91SAM7S32 embeds a high-speed 8-Kbyte SRAM bank.
- The AT91SAM7S161 embeds a high-speed 4-Kbyte SRAM bank.
- The AT91SAM7S16 embeds a high-speed 4-Kbyte SRAM bank.

After reset and until the Remap Command is performed, the SRAM is only accessible at address 0x0020 0000. After Remap, the SRAM also becomes available at address 0x0.

### 8.7.2 Internal ROM

The AT91SAM7S Series embeds an Internal ROM. The ROM contains the FFPI and the SAM-BA program.

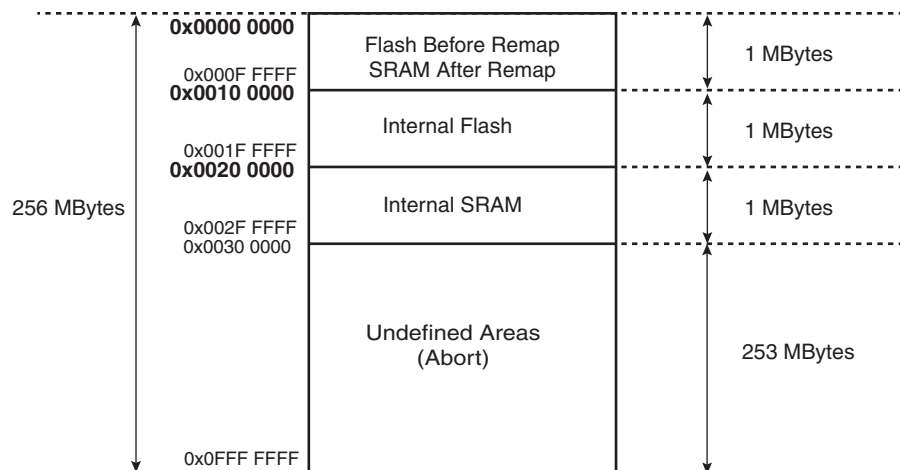
The internal ROM is not mapped by default.

### 8.7.3 Internal Flash

- The AT91SAM7S512 features two contiguous banks (dual plane) of 256 Kbytes of Flash.
- The AT91SAM7S256 features one bank (single plane) of 256 Kbytes of Flash.
- The AT91SAM7S128 features one bank (single plane) of 128 Kbytes of Flash.
- The AT91SAM7S64 features one bank (single plane) of 64 Kbytes of Flash.
- The AT91SAM7S321/32 features one bank (single plane) of 32 Kbytes of Flash.
- The AT91SAM7S161/16 features one bank (single plane) of 16 Kbytes of Flash.

At any time, the Flash is mapped to address 0x0010 0000. It is also accessible at address 0x0 after the reset and before the Remap Command.

**Figure 8-2.** Internal Memory Mapping



## 8.8 Embedded Flash

### 8.8.1 Flash Overview

- The Flash of the AT91SAM7S512 is organized in two banks (dual plane) of 1024 pages of 256 bytes. The 524,288 bytes are organized in 32-bit words.
- The Flash of the AT91SAM7S256 is organized in 1024 pages (single plane) of 256 bytes. The 262,144 bytes are organized in 32-bit words.
- The Flash of the AT91SAM7S128 is organized in 512 pages (single plane) of 256 bytes. The 131,072 bytes are organized in 32-bit words.
- The Flash of the AT91SAM7S64 is organized in 512 pages (single plane) of 128 bytes. The 65,536 bytes are organized in 32-bit words.
- The Flash of the AT91SAM7S321/32 is organized in 256 pages (single plane) of 128 bytes. The 32,768 bytes are organized in 32-bit words.
- The Flash of the AT91SAM7S161/16 is organized in 256 pages (single plane) of 64 bytes. The 16,384 bytes are organized in 32-bit words.
- The Flash of the AT91SAM7S512/256/128 contains a 256-byte write buffer, accessible through a 32-bit interface.
- The Flash of the AT91SAM7S64/321/32/161/16 contains a 128-byte write buffer, accessible through a 32-bit interface.

The Flash benefits from the integration of a power reset cell and from the brownout detector. This prevents code corruption during power supply changes, even in the worst conditions.

When Flash is not used (read or write access), it is automatically placed into standby mode.

### 8.8.2 Embedded Flash Controller

The Embedded Flash Controller (EFC) manages accesses performed by the masters of the system. It enables reading the Flash and writing the write buffer. It also contains a User Interface, mapped within the Memory Controller on the APB. The User Interface allows:

- programming of the access parameters of the Flash (number of wait states, timings, etc.)
- starting commands such as full erase, page erase, page program, NVM bit set, NVM bit clear, etc.
- getting the end status of the last command
- getting error status
- programming interrupts on the end of the last commands or on errors

The Embedded Flash Controller also provides a dual 32-bit prefetch buffer that optimizes 16-bit access to the Flash. This is particularly efficient when the processor is running in Thumb mode.

Two EFCs are embedded in the SAM7S512 to control each bank of 256 Kbytes. Dual plane organization allows concurrent Read and Program. Read from one memory plane may be performed even while program or erase functions are being executed in the other memory plane.

One EFC is embedded in the SAM7S256/128/64/32/321/161/16 to control the single plane 256/128/64/32/16 Kbytes.

## 8.8.3 Lock Regions

### 8.8.3.1 AT91SAM7S512

Two Embedded Flash Controllers each manage 16 lock bits to protect 16 regions of the flash against inadvertent flash erasing or programming commands. The AT91SAM7S512 contains 32 lock regions and each lock region contains 64 pages of 256 bytes. Each lock region has a size of 16 Kbytes.

If a locked-region's erase or program command occurs, the command is aborted and the LOCKE bit in the MC\_FSR register rises and the interrupt line rises if the LOCKE bit has been written at 1 in the MC\_FMR register.

The 16 NVM bits (or 32 NVM bits) are software programmable through the corresponding EFC User Interface. The command "Set Lock Bit" enables the protection. The command "Clear Lock Bit" unlocks the lock region.

Asserting the ERASE pin clears the lock bits, thus unlocking the entire Flash.

### 8.8.3.2 AT91SAM7S256

The Embedded Flash Controller manages 16 lock bits to protect 16 regions of the flash against inadvertent flash erasing or programming commands. The AT91SAM7S256 contains 16 lock regions and each lock region contains 64 pages of 256 bytes. Each lock region has a size of 16 Kbytes.

If a locked-region's erase or program command occurs, the command is aborted and the LOCKE bit in the MC\_FSR register rises and the interrupt line rises if the LOCKE bit has been written at 1 in the MC\_FMR register.

The 16 NVM bits are software programmable through the EFC User Interface. The command "Set Lock Bit" enables the protection. The command "Clear Lock Bit" unlocks the lock region.

Asserting the ERASE pin clears the lock bits, thus unlocking the entire Flash.

### 8.8.3.3 AT91SAM7S128

The Embedded Flash Controller manages 8 lock bits to protect 8 regions of the flash against inadvertent flash erasing or programming commands. The AT91SAM7S128 contains 8 lock regions and each lock region contains 64 pages of 256 bytes. Each lock region has a size of 16 Kbytes.

If a locked-region's erase or program command occurs, the command is aborted and the LOCKE bit in the MC\_FSR register rises and the interrupt line rises if the LOCKE bit has been written at 1 in the MC\_FMR register.

The 8 NVM bits are software programmable through the EFC User Interface. The command "Set Lock Bit" enables the protection. The command "Clear Lock Bit" unlocks the lock region.

Asserting the ERASE pin clears the lock bits, thus unlocking the entire Flash.

### 8.8.3.4 AT91SAM7S64

The Embedded Flash Controller manages 16 lock bits to protect 16 regions of the flash against inadvertent flash erasing or programming commands. The AT91SAM7S64 contains 16 lock regions and each lock region contains 32 pages of 128 bytes. Each lock region has a size of 4 Kbytes.

If a locked-region's erase or program command occurs, the command is aborted and the LOCKE bit in the MC\_FSR register rises and the interrupt line rises if the LOCKE bit has been written at 1 in the MC\_FMR register.

The 16 NVM bits are software programmable through the EFC User Interface. The command "Set Lock Bit" enables the protection. The command "Clear Lock Bit" unlocks the lock region.

Asserting the ERASE pin clears the lock bits, thus unlocking the entire Flash.

#### 8.8.3.5 AT91SAM7S321/32

The Embedded Flash Controller manages 8 lock bits to protect 8 regions of the flash against inadvertent flash erasing or programming commands. The AT91SAM7S321/32 contains 8 lock regions and each lock region contains 32 pages of 128 bytes. Each lock region has a size of 4 Kbytes.

If a locked-region's erase or program command occurs, the command is aborted and the LOCKE bit in the MC\_FSR register rises and the interrupt line rises if the LOCKE bit has been written at 1 in the MC\_FMR register.

The 8 NVM bits are software programmable through the EFC User Interface. The command "Set Lock Bit" enables the protection. The command "Clear Lock Bit" unlocks the lock region.

Asserting the ERASE pin clears the lock bits, thus unlocking the entire Flash.

#### 8.8.3.6 AT91SAM7S161/16

The Embedded Flash Controller manages 8 lock bits to protect 8 regions of the flash against inadvertent flash erasing or programming commands. The AT91SAM7S161/16 contains 8 lock regions and each lock region contains 32 pages of 64 bytes. Each lock region has a size of 2 Kbytes.

If a locked-region's erase or program command occurs, the command is aborted and the LOCKE bit in the MC\_FSR register rises and the interrupt line rises if the LOCKE bit has been written at 1 in the MC\_FMR register.

The 8 NVM bits are software programmable through the EFC User Interface. The command "Set Lock Bit" enables the protection. The command "Clear Lock Bit" unlocks the lock region.

Asserting the ERASE pin clears the lock bits, thus unlocking the entire Flash.

[Table](#) summarizes the configuration of the eight devices.

#### Flash Configuration Summary

| Device          | Number of Lock Bits | Number of Pages in the Lock Region | Page Size |
|-----------------|---------------------|------------------------------------|-----------|
| AT91SAM7S512    | 32                  | 64                                 | 256 bytes |
| AT91SAM7S256    | 16                  | 64                                 | 256 bytes |
| AT91SAM7S128    | 8                   | 64                                 | 256 bytes |
| AT91SAM7S64     | 16                  | 32                                 | 128 bytes |
| AT91SAM7S321/32 | 8                   | 32                                 | 128 bytes |
| AT91SAM7S161/16 | 8                   | 32                                 | 64 bytes  |



## 8.8.4 Security Bit Feature

The AT91SAM7S Series features a security bit, based on a specific NVM Bit. When the security is enabled, any access to the Flash, either through the ICE interface or through the Fast Flash Programming Interface, is forbidden. This ensures the confidentiality of the code programmed in the Flash.

This security bit can only be enabled, through the Command “Set Security Bit” of the EFC User Interface. Disabling the security bit can only be achieved by asserting the ERASE pin at 1, and after a full flash erase is performed. When the security bit is deactivated, all accesses to the flash are permitted.

It is important to note that the assertion of the ERASE pin should always be longer than 50 ms.

As the ERASE pin integrates a permanent pull-down, it can be left unconnected during normal operation. However, it is safer to connect it directly to GND for the final application.

## 8.8.5 Non-volatile Brownout Detector Control

Two general purpose NVM (GPNVM) bits are used for controlling the brownout detector (BOD), so that even after a power loss, the brownout detector operations remain in their state.

These two GPNVM bits can be cleared or set respectively through the commands “Clear General-purpose NVM Bit” and “Set General-purpose NVM Bit” of the EFC User Interface.

- GPNVM Bit 0 is used as a brownout detector enable bit. Setting the GPNVM Bit 0 enables the BOD, clearing it disables the BOD. Asserting ERASE clears the GPNVM Bit 0 and thus disables the brownout detector by default.
- The GPNVM Bit 1 is used as a brownout reset enable signal for the reset controller. Setting the GPNVM Bit 1 enables the brownout reset when a brownout is detected, Clearing the GPNVM Bit 1 disables the brownout reset. Asserting ERASE disables the brownout reset by default.

## 8.8.6 Calibration Bits

Eight NVM bits are used to calibrate the brownout detector and the voltage regulator. These bits are factory configured and cannot be changed by the user. The ERASE pin has no effect on the calibration bits.

## 8.9 Fast Flash Programming Interface

The Fast Flash Programming Interface allows programming the device through either a serial JTAG interface or through a multiplexed fully-handshaked parallel port. It allows gang-programming with market-standard industrial programmers.

The FFPI supports read, page program, page erase, full erase, lock, unlock and protect commands.

The Fast Flash Programming Interface is enabled and the Fast Programming Mode is entered when the TST pin and the PA0 and PA1 pins are all tied high and PA2 is tied low.

## 8.10 SAM-BA Boot Assistant

The SAM-BA<sup>®</sup> Boot Recovery restores the SAM-BA Boot in the first two sectors of the on-chip Flash memory. The SAM-BA Boot recovery is performed when the TST pin and the PA0, PA1 and PA2 pins are all tied high for 10 seconds. Then, a power cycle of the board is mandatory.

The SAM-BA Boot Assistant is a default Boot Program that provides an easy way to program in situ the on-chip Flash memory.

The SAM-BA Boot Assistant supports serial communication through the DBGU or through the USB Device Port. (The AT91SAM7S32/16 have no USB Device Port.)

- Communication through the DBGU supports a wide range of crystals from 3 to 20 MHz via software auto-detection.
- Communication through the USB Device Port is limited to an 18.432 MHz crystal. (

The SAM-BA Boot provides an interface with SAM-BA Graphic User Interface (GUI).

## 9. System Controller

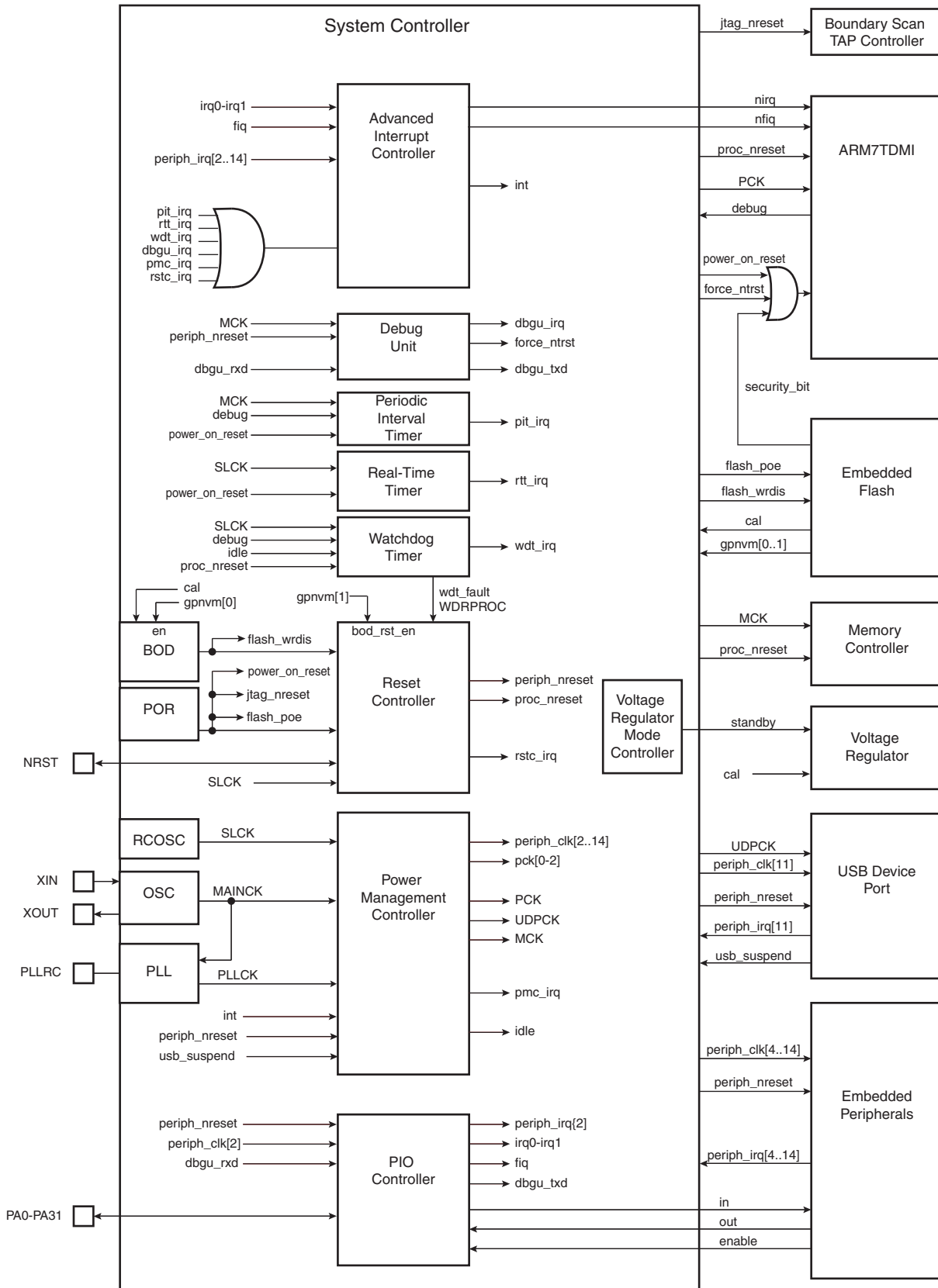
The System Controller manages all vital blocks of the microcontroller: interrupts, clocks, power, time, debug and reset.

The System Controller peripherals are all mapped to the highest 4 Kbytes of address space, between addresses 0xFFFF F000 and 0xFFFF FFFF.

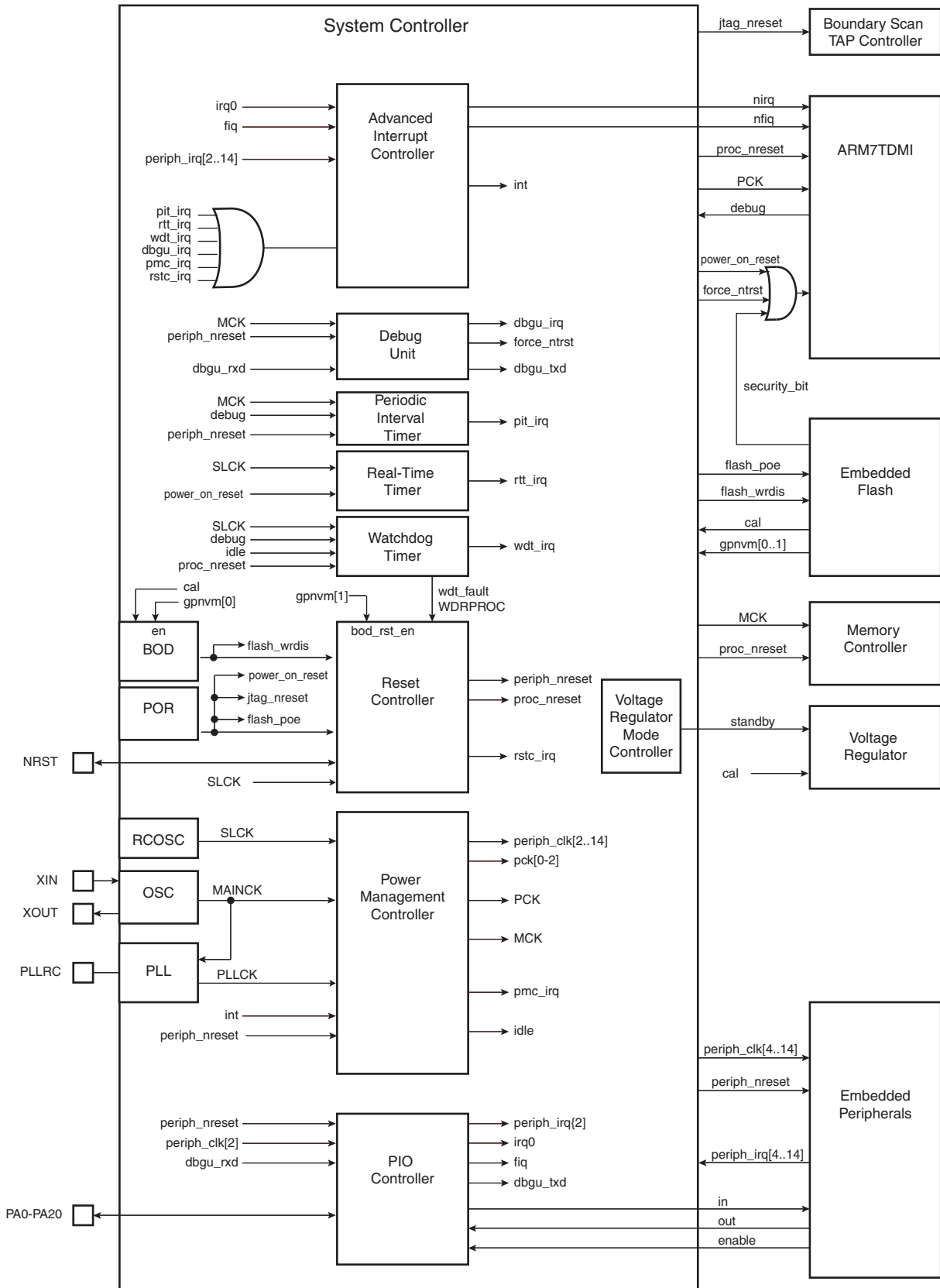
[Figure 9-1 on page 27](#) and [Figure 9-2 on page 28](#) show the product specific System Controller Block Diagrams.

[Figure 8-1 on page 20](#) shows the mapping of the of the User Interface of the System Controller peripherals. Note that the memory controller configuration user interface is also mapped within this address space.

**Figure 9-1.** System Controller Block Diagram (AT91SAM7S512/256/128/64/321/161)



**Figure 9-2. System Controller Block Diagram (AT91SAM7S32/16)**



## 9.1 Reset Controller

The Reset Controller is based on a power-on reset cell and one brownout detector. It gives the status of the last reset, indicating whether it is a power-up reset, a software reset, a user reset, a watchdog reset or a brownout reset. In addition, it controls the internal resets and the NRST pin open-drain output. It allows to shape a signal on the NRST line, guaranteeing that the length of the pulse meets any requirement.

Note that if NRST is used as a reset output signal for external devices during power-off, the brownout detector must be activated.

### 9.1.1 Brownout Detector and Power-on Reset

The AT91SAM7S Series embeds a brownout detection circuit and a power-on reset cell. Both are supplied with and monitor VDDCORE. Both signals are provided to the Flash to prevent any code corruption during power-up or power-down sequences or if brownouts occur on the VDDCORE power supply.

The power-on reset cell has a limited-accuracy threshold at around 1.5V. Its output remains low during power-up until VDDCORE goes over this voltage level. This signal goes to the reset controller and allows a full re-initialization of the device.

The brownout detector monitors the VDDCORE level during operation by comparing it to a fixed trigger level. It secures system operations in the most difficult environments and prevents code corruption in case of brownout on the VDDCORE.

Only VDDCORE is monitored.

When the brownout detector is enabled and VDDCORE decreases to a value below the trigger level ( $V_{bot-}$ , defined as  $V_{bot} - hyst/2$ ), the brownout output is immediately activated.

When VDDCORE increases above the trigger level ( $V_{bot+}$ , defined as  $V_{bot} + hyst/2$ ), the reset is released. The brownout detector only detects a drop if the voltage on VDDCORE stays below the threshold voltage for longer than about 1 $\mu$ s.

The threshold voltage has a hysteresis of about 50 mV, to ensure spike free brownout detection. The typical value of the brownout detector threshold is 1.68V with an accuracy of  $\pm 2\%$  and is factory calibrated.

The brownout detector is low-power, as it consumes less than 20  $\mu$ A static current. However, it can be deactivated to save its static current. In this case, it consumes less than 1 $\mu$ A. The deactivation is configured through the GPNVM bit 0 of the Flash.

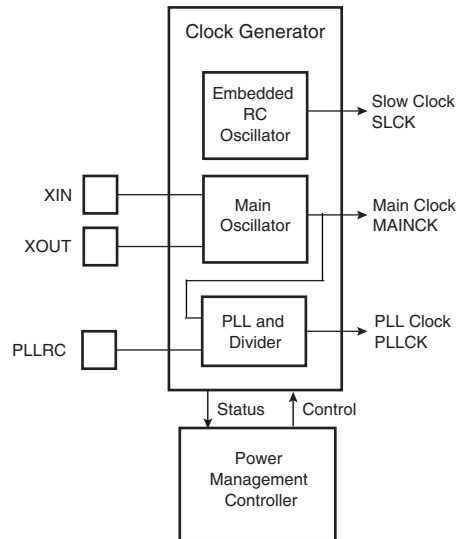
## 9.2 Clock Generator

The Clock Generator embeds one low-power RC Oscillator, one Main Oscillator and one PLL with the following characteristics:

- RC Oscillator ranges between 22 kHz and 42 kHz
- Main Oscillator frequency ranges between 3 and 20 MHz
- Main Oscillator can be bypassed
- PLL output ranges between 80 and 220 MHz

It provides SLCK, MAINCK and PLLCK.

**Figure 9-3.** Clock Generator Block Diagram



## 9.3 Power Management Controller

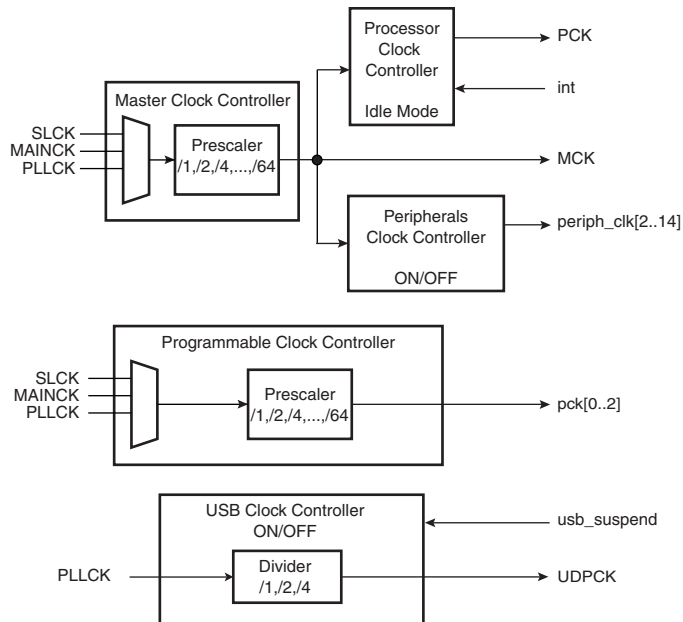
The Power Management Controller uses the Clock Generator outputs to provide:

- the Processor Clock PCK
- the Master Clock MCK
- the USB Clock UDPCK (not present on AT91SAM7S32/16)
- all the peripheral clocks, independently controllable
- three programmable clock outputs

The Master Clock (MCK) is programmable from a few hundred Hz to the maximum operating frequency of the device.

The Processor Clock (PCK) switches off when entering processor idle mode, thus allowing reduced power consumption while waiting for an interrupt.

**Figure 9-4.** Power Management Controller Block Diagram



## 9.4 Advanced Interrupt Controller

- Controls the interrupt lines (nIRQ and nFIQ) of an ARM Processor
- Individually maskable and vectored interrupt sources
  - Source 0 is reserved for the Fast Interrupt Input (FIQ)
  - Source 1 is reserved for system peripherals RTT, PIT, EFC, PMC, DBGU, etc.)
  - Other sources control the peripheral interrupts or external interrupts
  - Programmable edge-triggered or level-sensitive internal sources
  - Programmable positive/negative edge-triggered or high/low level-sensitive external sources
- 8-level Priority Controller
  - Drives the normal interrupt of the processor
  - Handles priority of the interrupt sources
  - Higher priority interrupts can be served during service of lower priority interrupt
- Vectoring
  - Optimizes interrupt service routine branch and execution
  - One 32-bit vector register per interrupt source
  - Interrupt vector register reads the corresponding current interrupt vector
- Protect Mode
  - Easy debugging by preventing automatic operations
- Fast Forcing
  - Permits redirecting any interrupt source on the fast interrupt
- General Interrupt Mask
  - Provides processor synchronization on events without triggering an interrupt

## 9.5 Debug Unit

- Comprises:
  - One two-pin UART
  - One Interface for the Debug Communication Channel (DCC) support
  - One set of Chip ID Registers
  - One Interface providing ICE Access Prevention
- Two-pin UART
  - Implemented features are compatible with the USART
  - Programmable Baud Rate Generator
  - Parity, Framing and Overrun Error
  - Automatic Echo, Local Loopback and Remote Loopback Channel Modes
- Debug Communication Channel Support
  - Offers visibility of COMMRX and COMMTX signals from the ARM Processor
- Chip ID Registers
  - Identification of the device revision, sizes of the embedded memories, set of peripherals
  - Chip ID is 0x270B0A40 for AT91SAM7S512 Rev A
  - Chip ID is 0x270B0940 for AT91SAM7S256 Rev A
  - Chip ID is 0x270B0941 for AT91SAM7S256 Rev B
  - Chip ID is 0x270A0740 for AT91SAM7S128 Rev A
  - Chip ID is 0x270A0741 for AT91SAM7S128 Rev B
  - Chip ID is 0x27090540 for AT91SAM7S64 Rev A
  - Chip ID is 0x27090543 for AT91SAM7S64 Rev B
  - Chip ID is 0x27080342 for AT91SAM7S321 Rev A
  - Chip ID is 0x27080340 for AT91SAM7S32 Rev A
  - Chip ID is 0x27080341 for AT91SAM7S32 Rev B
  - Chip ID is 0x27050241 for AT91SAM7S161 Rev A
  - Chip ID is 0x27050240 for AT91SAM7S16 Rev A

Note: Refer to the errata section of the datasheet for updates on chip ID.

## 9.6 Periodic Interval Timer

- 20-bit programmable counter plus 12-bit interval counter

## 9.7 Watchdog Timer

- 12-bit key-protected Programmable Counter running on prescaled SCLK
- Provides reset or interrupt signals to the system
- Counter may be stopped while the processor is in debug state or in idle mode

## 9.8 Real-time Timer

- 32-bit free-running counter with alarm running on prescaled SCLK
- Programmable 16-bit prescaler for SCLK accuracy compensation



## 9.9 PIO Controller

- One PIO Controller, controlling 32 I/O lines (21 for AT91SAM7S32/16)
- Fully programmable through set/clear registers
- Multiplexing of two peripheral functions per I/O line
- For each I/O line (whether assigned to a peripheral or used as general-purpose I/O)
  - Input change interrupt
  - Half a clock period glitch filter
  - Multi-drive option enables driving in open drain
  - Programmable pull-up on each I/O line
  - Pin data status register, supplies visibility of the level on the pin at any time
- Synchronous output, provides Set and Clear of several I/O lines in a single write

## 9.10 Voltage Regulator Controller

The aim of this controller is to select the Power Mode of the Voltage Regulator between Normal Mode (bit 0 is cleared) or Standby Mode (bit 0 is set).

## 10. Peripherals

### 10.1 User Interface

The User Peripherals are mapped in the 256 MBytes of address space between 0xF000 0000 and 0xFFFF EFFF. Each peripheral is allocated 16 Kbytes of address space.

A complete memory map is provided in [Figure 8-1 on page 20](#).

### 10.2 Peripheral Identifiers

The AT91SAM7S Series embeds a wide range of peripherals. [Table 10-1](#) defines the Peripheral Identifiers of the AT91SAM7S512/256/128/64/321/161. [Table 10-2](#) defines the Peripheral Identifiers of the AT91SAM7S32/16. A peripheral identifier is required for the control of the peripheral interrupt with the Advanced Interrupt Controller and for the control of the peripheral clock with the Power Management Controller.

**Table 10-1.** Peripheral Identifiers (AT91SAM7S512/256/128/64/321/161)

| Peripheral ID | Peripheral Mnemonic | Peripheral Name               | External Interrupt |
|---------------|---------------------|-------------------------------|--------------------|
| 0             | AIC                 | Advanced Interrupt Controller | FIQ                |
| 1             | SYSC <sup>(1)</sup> | System                        |                    |
| 2             | PIOA                | Parallel I/O Controller A     |                    |
| 3             | Reserved            |                               |                    |
| 4             | ADC <sup>(1)</sup>  | Analog-to Digital Converter   |                    |
| 5             | SPI                 | Serial Peripheral Interface   |                    |
| 6             | US0                 | USART 0                       |                    |
| 7             | US1                 | USART 1                       |                    |
| 8             | SSC                 | Synchronous Serial Controller |                    |
| 9             | TWI                 | Two-wire Interface            |                    |
| 10            | PWMC                | PWM Controller                |                    |
| 11            | UDP                 | USB Device Port               |                    |
| 12            | TC0                 | Timer/Counter 0               |                    |
| 13            | TC1                 | Timer/Counter 1               |                    |
| 14            | TC2                 | Timer/Counter 2               |                    |
| 15 - 29       | Reserved            |                               |                    |
| 30            | AIC                 | Advanced Interrupt Controller | IRQ0               |
| 31            | AIC                 | Advanced Interrupt Controller | IRQ1               |

Note: 1. Setting SYSC and ADC bits in the clock set/clear registers of the PMC has no effect. The System Controller is continuously clocked. The ADC clock is automatically started for the first conversion. In Sleep Mode the ADC clock is automatically stopped after each conversion.

**Table 10-2.** Peripheral Identifiers (AT91SAM7S32/16)

| Peripheral ID | Peripheral Mnemonic | Peripheral Name               | External Interrupt |
|---------------|---------------------|-------------------------------|--------------------|
| 0             | AIC                 | Advanced Interrupt Controller | FIQ                |
| 1             | SYSC <sup>(1)</sup> | System                        |                    |
| 2             | PIOA                | Parallel I/O Controller A     |                    |
| 3             | Reserved            |                               |                    |
| 4             | ADC <sup>(1)</sup>  | Analog-to Digital Converter   |                    |
| 5             | SPI                 | Serial Peripheral Interface   |                    |
| 6             | US                  | USART                         |                    |
| 7             | Reserved            |                               |                    |
| 8             | SSC                 | Synchronous Serial Controller |                    |
| 9             | TWI                 | Two-wire Interface            |                    |
| 10            | PWMC                | PWM Controller                |                    |
| 11            | Reserved            |                               |                    |
| 12            | TC0                 | Timer/Counter 0               |                    |
| 13            | TC1                 | Timer/Counter 1               |                    |
| 14            | TC2                 | Timer/Counter 2               |                    |
| 15 - 29       | Reserved            |                               |                    |
| 30            | AIC                 | Advanced Interrupt Controller | IRQ0               |
| 31            | Reserved            |                               |                    |

Note: 1. Setting SYSC and ADC bits in the clock set/clear registers of the PMC has no effect. The System Controller is continuously clocked. The ADC clock is automatically started for the first conversion. In Sleep Mode the ADC clock is automatically stopped after each conversion.

### 10.3 Peripheral Multiplexing on PIO Lines

The AT91SAM7S Series features one PIO controller, PIOA, that multiplexes the I/O lines of the peripheral set.

PIO Controller A controls 32 lines (21 lines for AT91SAM7S32/16). Each line can be assigned to one of two peripheral functions, A or B. Some of them can also be multiplexed with the analog inputs of the ADC Controller.

Table 10-3, “Multiplexing on PIO Controller A (AT91SAM7S512/256/128/64/32/161),” on page 36 and Table 10-4, “Multiplexing on PIO Controller A (AT91SAM7S32/16),” on page 37 define how the I/O lines of the peripherals A, B or the analog inputs are multiplexed on the PIO Controller A. The two columns “Function” and “Comments” have been inserted for the user’s own comments; they may be used to track how pins are defined in an application.

Note that some peripheral functions that are output only may be duplicated in the table.

All pins reset in their Parallel I/O lines function are configured as input with the programmable pull-up enabled, so that the device is maintained in a static state as soon as a reset is detected.



## 10.4 PIO Controller A Multiplexing

**Table 10-3.** Multiplexing on PIO Controller A (AT91SAM7S512/256/128/64/321/161)

| PIO Controller A |              |              |            | Application Usage |          |
|------------------|--------------|--------------|------------|-------------------|----------|
| I/O Line         | Peripheral A | Peripheral B | Comments   | Function          | Comments |
| PA0              | PWM0         | TIOA0        | High-Drive |                   |          |
| PA1              | PWM1         | TIOB0        | High-Drive |                   |          |
| PA2              | PWM2         | SCK0         | High-Drive |                   |          |
| PA3              | TWD          | NPCS3        | High-Drive |                   |          |
| PA4              | TWCK         | TCLK0        |            |                   |          |
| PA5              | RXD0         | NPCS3        |            |                   |          |
| PA6              | TXD0         | PCK0         |            |                   |          |
| PA7              | RTS0         | PWM3         |            |                   |          |
| PA8              | CTS0         | ADTRG        |            |                   |          |
| PA9              | DRXD         | NPCS1        |            |                   |          |
| PA10             | DTXD         | NPCS2        |            |                   |          |
| PA11             | NPCS0        | PWM0         |            |                   |          |
| PA12             | MISO         | PWM1         |            |                   |          |
| PA13             | MOSI         | PWM2         |            |                   |          |
| PA14             | SPCK         | PWM3         |            |                   |          |
| PA15             | TF           | TIOA1        |            |                   |          |
| PA16             | TK           | TIOB1        |            |                   |          |
| PA17             | TD           | PCK1         | AD0        |                   |          |
| PA18             | RD           | PCK2         | AD1        |                   |          |
| PA19             | RK           | FIQ          | AD2        |                   |          |
| PA20             | RF           | IRQ0         | AD3        |                   |          |
| PA21             | RXD1         | PCK1         |            |                   |          |
| PA22             | TXD1         | NPCS3        |            |                   |          |
| PA23             | SCK1         | PWM0         |            |                   |          |
| PA24             | RTS1         | PWM1         |            |                   |          |
| PA25             | CTS1         | PWM2         |            |                   |          |
| PA26             | DCD1         | TIOA2        |            |                   |          |
| PA27             | DTR1         | TIOB2        |            |                   |          |
| PA28             | DSR1         | TCLK1        |            |                   |          |
| PA29             | RI1          | TCLK2        |            |                   |          |
| PA30             | IRQ1         | NPCS2        |            |                   |          |
| PA31             | NPCS1        | PCK2         |            |                   |          |

**Table 10-4.** Multiplexing on PIO Controller A (AT91SAM7S32/16)

| PIO Controller A |              |              |            | Application Usage |          |
|------------------|--------------|--------------|------------|-------------------|----------|
| I/O Line         | Peripheral A | Peripheral B | Comments   | Function          | Comments |
| PA0              | PWM0         | TIOA0        | High-Drive |                   |          |
| PA1              | PWM1         | TIOB0        | High-Drive |                   |          |
| PA2              | PWM2         | SCK0         | High-Drive |                   |          |
| PA3              | TWD          | NPCS3        | High-Drive |                   |          |
| PA4              | TWCK         | TCLK0        |            |                   |          |
| PA5              | RXD0         | NPCS3        |            |                   |          |
| PA6              | TXD0         | PCK0         |            |                   |          |
| PA7              | RTS0         | PWM3         |            |                   |          |
| PA8              | CTS0         | ADTRG        |            |                   |          |
| PA9              | DRXD         | NPCS1        |            |                   |          |
| PA10             | DTXD         | NPCS2        |            |                   |          |
| PA11             | NPCS0        | PWM0         |            |                   |          |
| PA12             | MISO         | PWM1         |            |                   |          |
| PA13             | MOSI         | PWM2         |            |                   |          |
| PA14             | SPCK         | PWM3         |            |                   |          |
| PA15             | TF           | TIOA1        |            |                   |          |
| PA16             | TK           | TIOB1        |            |                   |          |
| PA17             | TD           | PCK1         | AD0        |                   |          |
| PA18             | RD           | PCK2         | AD1        |                   |          |
| PA19             | RK           | FIQ          | AD2        |                   |          |
| PA20             | RF           | IRQ0         | AD3        |                   |          |

## 10.5 Serial Peripheral Interface

- Supports communication with external serial devices
  - Four chip selects with external decoder allow communication with up to 15 peripherals
  - Serial memories, such as DataFlash<sup>®</sup> and 3-wire EEPROMs
  - Serial peripherals, such as ADCs, DACs, LCD Controllers, CAN Controllers and Sensors
  - External co-processors
- Master or slave serial peripheral bus interface
  - 8- to 16-bit programmable data length per chip select
  - Programmable phase and polarity per chip select
  - Programmable transfer delays between consecutive transfers and between clock and data per chip select
  - Programmable delay between consecutive transfers
  - Selectable mode fault detection
  - Maximum frequency at up to Master Clock

## 10.6 Two-wire Interface

- Master Mode only (AT91SAM7S512/256/128/64/321/32)
- Master, Multi-Master and Slave Mode support (AT91SAM7S161/16)
- General Call supported in Slave Mode (AT91SAM7S161/16)
- Compatibility with I<sup>2</sup>C compatible devices (refer to the TWI sections of the datasheet)
- One, two or three bytes internal address registers for easy Serial Memory access
- 7-bit or 10-bit slave addressing
- Sequential read/write operations

## 10.7 USART

- Programmable Baud Rate Generator
- 5- to 9-bit full-duplex synchronous or asynchronous serial communications
  - 1, 1.5 or 2 stop bits in Asynchronous Mode
  - 1 or 2 stop bits in Synchronous Mode
  - Parity generation and error detection
  - Framing error detection, overrun error detection
  - MSB or LSB first
  - Optional break generation and detection
  - By 8 or by 16 over-sampling receiver frequency
  - Hardware handshaking RTS - CTS
  - Modem Signals Management DTR-DSR-DCD-RI on USART1 (not present on AT91SAM7S32/16)
  - Receiver time-out and transmitter timeguard
  - Multi-drop Mode with address generation and detection
- RS485 with driver control signal

- ISO7816, T = 0 or T = 1 Protocols for interfacing with smart cards
  - NACK handling, error counter with repetition and iteration limit
- IrDA modulation and demodulation
  - Communication at up to 115.2 Kbps
- Test Modes
  - Remote Loopback, Local Loopback, Automatic Echo

## 10.8 Serial Synchronous Controller

- Provides serial synchronous communication links used in audio and telecom applications
- Contains an independent receiver and transmitter and a common clock divider
- Offers a configurable frame sync and data length
- Receiver and transmitter can be programmed to start automatically or on detection of different event on the frame sync signal
- Receiver and transmitter include a data signal, a clock signal and a frame synchronization signal

## 10.9 Timer Counter

- Three 16-bit Timer Counter Channels
  - Two output compare or one input capture per channel (except for AT91SAM7S32/16 which have only two channels connected to the PIO)
- Wide range of functions including:
  - Frequency measurement
  - Event counting
  - Interval measurement
  - Pulse generation
  - Delay timing
  - Pulse Width Modulation
  - Up/down capabilities
- Each channel is user-configurable and contains:
  - Three external clock inputs (The AT91SAM7S32/16 have one)
  - Five internal clock inputs, as defined in [Table 10-5](#)

**Table 10-5.** Timer Counter Clocks Assignment

| TC Clock Input | Clock    |
|----------------|----------|
| TIMER_CLOCK1   | MCK/2    |
| TIMER_CLOCK2   | MCK/8    |
| TIMER_CLOCK3   | MCK/32   |
| TIMER_CLOCK4   | MCK/128  |
| TIMER_CLOCK5   | MCK/1024 |

- Two multi-purpose input/output signals
- Two global registers that act on all three TC channels

## 10.10 PWM Controller

- Four channels, one 16-bit counter per channel
- Common clock generator, providing thirteen different clocks
  - One Modulo n counter providing eleven clocks
  - Two independent linear dividers working on modulo n counter outputs
- Independent channel programming
  - Independent enable/disable commands
  - Independent clock selection
  - Independent period and duty cycle, with double buffering
  - Programmable selection of the output waveform polarity
  - Programmable center or left aligned output waveform

## 10.11 USB Device Port (Does not pertain to AT91SAM7S32/16)

- USB V2.0 full-speed compliant, 12 Mbits per second.
- Embedded USB V2.0 full-speed transceiver
- Embedded 328-byte dual-port RAM for endpoints
- Four endpoints
  - Endpoint 0: 8 bytes
  - Endpoint 1 and 2: 64 bytes ping-pong
  - Endpoint 3: 64 bytes
  - Ping-pong Mode (two memory banks) for isochronous and bulk endpoints
- Suspend/resume logic

## 10.12 Analog-to-digital Converter

- 8-channel ADC
- 10-bit 384 Ksamples/sec. or 8-bit 583 Ksamples/sec. Successive Approximation Register ADC
- $\pm 2$  LSB Integral Non Linearity,  $\pm 1$  LSB Differential Non Linearity
- Integrated 8-to-1 multiplexer, offering eight independent 3.3V analog inputs
- External voltage reference for better accuracy on low voltage inputs
- Individual enable and disable of each channel
- Multiple trigger source
  - Hardware or software trigger
  - External trigger pin
  - Timer Counter 0 to 2 outputs TIOA0 to TIOA2 trigger
- Sleep Mode and conversion sequencer
  - Automatic wakeup on trigger and back to sleep mode after conversions of all enabled channels
- Four of eight analog inputs shared with digital signals



## 11. ARM7TDMI Processor Overview

### 11.1 Overview

The ARM7TDMI core executes both the 32-bit ARM<sup>®</sup> and 16-bit Thumb<sup>®</sup> instruction sets, allowing the user to trade off between high performance and high code density. The ARM7TDMI processor implements Von Neuman architecture, using a three-stage pipeline consisting of Fetch, Decode, and Execute stages.

The main features of the ARM7TDMI processor are:

- ARM7TDMI Based on ARMv4T Architecture
- Two Instruction Sets
  - ARM<sup>®</sup> High-performance 32-bit Instruction Set
  - Thumb<sup>®</sup> High Code Density 16-bit Instruction Set
- Three-Stage Pipeline Architecture
  - Instruction Fetch (F)
  - Instruction Decode (D)
  - Execute (E)

## 11.2 ARM7TDMI Processor

For further details on ARM7TDMI, refer to the following ARM documents:

ARM Architecture Reference Manual (DDI 0100E)

ARM7TDMI Technical Reference Manual (DDI 0210B)

### 11.2.1 Instruction Type

Instructions are either 32 bits long (in ARM state) or 16 bits long (in THUMB state).

### 11.2.2 Data Type

ARM7TDMI supports byte (8-bit), half-word (16-bit) and word (32-bit) data types. Words must be aligned to four-byte boundaries and half words to two-byte boundaries.

Unaligned data access behavior depends on which instruction is used where.

### 11.2.3 ARM7TDMI Operating Mode

The ARM7TDMI, based on ARM architecture v4T, supports seven processor modes:

**User:** The normal ARM program execution state

**FIQ:** Designed to support high-speed data transfer or channel process

**IRQ:** Used for general-purpose interrupt handling

**Supervisor:** Protected mode for the operating system

**Abort mode:** Implements virtual memory and/or memory protection

**System:** A privileged user mode for the operating system

**Undefined:** Supports software emulation of hardware coprocessors

Mode changes may be made under software control, or may be brought about by external interrupts or exception processing. Most application programs execute in User mode. The non-user modes, or privileged modes, are entered in order to service interrupts or exceptions, or to access protected resources.

### 11.2.4 ARM7TDMI Registers

The ARM7TDMI processor has a total of 37 registers:

- 31 general-purpose 32-bit registers
- 6 status registers

These registers are not accessible at the same time. The processor state and operating mode determine which registers are available to the programmer.

At any one time 16 registers are visible to the user. The remainder are synonyms used to speed up exception processing.

Register 15 is the Program Counter (PC) and can be used in all instructions to reference data relative to the current instruction.


R14 holds the return address after a subroutine call.

R13 is used (by software convention) as a stack pointer.

**Table 11-1.** ARM7TDMI ARM Modes and Registers Layout

| User and System Mode | Supervisor Mode | Abort Mode | Undefined Mode | Interrupt Mode | Fast Interrupt Mode |
|----------------------|-----------------|------------|----------------|----------------|---------------------|
| R0                   | R0              | R0         | R0             | R0             | R0                  |
| R1                   | R1              | R1         | R1             | R1             | R1                  |
| R2                   | R2              | R2         | R2             | R2             | R2                  |
| R3                   | R3              | R3         | R3             | R3             | R3                  |
| R4                   | R4              | R4         | R4             | R4             | R4                  |
| R5                   | R5              | R5         | R5             | R5             | R5                  |
| R6                   | R6              | R6         | R6             | R6             | R6                  |
| R7                   | R7              | R7         | R7             | R7             | R7                  |
| R8                   | R8              | R8         | R8             | R8             | R8_FIQ              |
| R9                   | R9              | R9         | R9             | R9             | R9_FIQ              |
| R10                  | R10             | R10        | R10            | R10            | R10_FIQ             |
| R11                  | R11             | R11        | R11            | R11            | R11_FIQ             |
| R12                  | R12             | R12        | R12            | R12            | R12_FIQ             |
| R13                  | R13_SVC         | R13_ABORT  | R13_UNDEF      | R13_IRQ        | R13_FIQ             |
| R14                  | R14_SVC         | R14_ABORT  | R14_UNDEF      | R14_IRQ        | R14_FIQ             |
| PC                   | PC              | PC         | PC             | PC             | PC                  |

|      |          |            |            |          |          |
|------|----------|------------|------------|----------|----------|
| CPSR | CPSR     | CPSR       | CPSR       | CPSR     | CPSR     |
|      | SPSR_SVC | SPSR_ABORT | SPSR_UNDEF | SPSR_IRQ | SPSR_FIQ |

 Mode-specific banked registers

Registers R0 to R7 are unbanked registers. This means that each of them refers to the same 32-bit physical register in all processor modes. They are general-purpose registers, with no special uses managed by the architecture, and can be used wherever an instruction allows a general-purpose register to be specified.

Registers R8 to R14 are banked registers. This means that each of them depends on the current mode of the processor.

### 11.2.4.1 Modes and Exception Handling

All exceptions have banked registers for R14 and R13.

After an exception, R14 holds the return address for exception processing. This address is used to return after the exception is processed, as well as to address the instruction that caused the exception.

R13 is banked across exception modes to provide each exception handler with a private stack pointer.

The fast interrupt mode also banks registers 8 to 12 so that interrupt processing can begin without having to save these registers.

A seventh processing mode, System Mode, does not have any banked registers. It uses the User Mode registers. System Mode runs tasks that require a privileged processor mode and allows them to invoke all classes of exceptions.

#### 11.2.4.2 Status Registers

All other processor states are held in status registers. The current operating processor status is in the Current Program Status Register (CPSR). The CPSR holds:

- four ALU flags (Negative, Zero, Carry, and Overflow)
- two interrupt disable bits (one for each type of interrupt)
- one bit to indicate ARM or Thumb execution
- five bits to encode the current processor mode

All five exception modes also have a Saved Program Status Register (SPSR) that holds the CPSR of the task immediately preceding the exception.

#### 11.2.4.3 Exception Types

The ARM7TDMI supports five types of exception and a privileged processing mode for each type. The types of exceptions are:

- fast interrupt (FIQ)
- normal interrupt (IRQ)
- memory aborts (used to implement memory protection or virtual memory)
- attempted execution of an undefined instruction
- software interrupts (SWIs)

Exceptions are generated by internal and external sources.

More than one exception can occur in the same time.

When an exception occurs, the banked version of R14 and the SPSR for the exception mode are used to save state.

To return after handling the exception, the SPSR is moved to the CPSR, and R14 is moved to the PC. This can be done in two ways:

- by using a data-processing instruction with the S-bit set, and the PC as the destination
- by using the Load Multiple with Restore CPSR instruction (LDM)

### 11.2.5 ARM Instruction Set Overview

The ARM instruction set is divided into:

- Branch instructions
- Data processing instructions
- Status register transfer instructions
- Load and Store instructions
- Coprocessor instructions
- Exception-generating instructions

ARM instructions can be executed conditionally. Every instruction contains a 4-bit condition code field (bit[31:28]).

[Table 11-2](#) gives the ARM instruction mnemonic list.

**Table 11-2.** ARM Instruction Mnemonic List

| Mnemonic | Operation                           |
|----------|-------------------------------------|
| MOV      | Move                                |
| ADD      | Add                                 |
| SUB      | Subtract                            |
| RSB      | Reverse Subtract                    |
| CMP      | Compare                             |
| TST      | Test                                |
| AND      | Logical AND                         |
| EOR      | Logical Exclusive OR                |
| MUL      | Multiply                            |
| SMULL    | Sign Long Multiply                  |
| SMLAL    | Signed Long Multiply Accumulate     |
| MSR      | Move to Status Register             |
| B        | Branch                              |
| BX       | Branch and Exchange                 |
| LDR      | Load Word                           |
| LDRSH    | Load Signed Halfword                |
| LDRSB    | Load Signed Byte                    |
| LDRH     | Load Half Word                      |
| LDRB     | Load Byte                           |
| LDRBT    | Load Register Byte with Translation |
| LDRT     | Load Register with Translation      |
| LDM      | Load Multiple                       |
| SWP      | Swap Word                           |
| MCR      | Move To Coprocessor                 |
| LDC      | Load To Coprocessor                 |

| Mnemonic | Operation                            |
|----------|--------------------------------------|
| CDP      | Coprocessor Data Processing          |
| MVN      | Move Not                             |
| ADC      | Add with Carry                       |
| SBC      | Subtract with Carry                  |
| RSC      | Reverse Subtract with Carry          |
| CMN      | Compare Negated                      |
| TEQ      | Test Equivalence                     |
| BIC      | Bit Clear                            |
| ORR      | Logical (inclusive) OR               |
| MLA      | Multiply Accumulate                  |
| UMULL    | Unsigned Long Multiply               |
| UMLAL    | Unsigned Long Multiply Accumulate    |
| MRS      | Move From Status Register            |
| BL       | Branch and Link                      |
| SWI      | Software Interrupt                   |
| STR      | Store Word                           |
| STRH     | Store Half Word                      |
| STRB     | Store Byte                           |
| STRBT    | Store Register Byte with Translation |
| STRT     | Store Register with Translation      |
| STM      | Store Multiple                       |
| SWPB     | Swap Byte                            |
| MRC      | Move From Coprocessor                |
| STC      | Store From Coprocessor               |

## 11.2.6 Thumb Instruction Set Overview

The Thumb instruction set is a re-encoded subset of the ARM instruction set.

The Thumb instruction set is divided into:

- Branch instructions
- Data processing instructions
- Load and Store instructions
- Load and Store Multiple instructions
- Exception-generating instruction

In Thumb mode, eight general-purpose registers, R0 to R7, are available that are the same physical registers as R0 to R7 when executing ARM instructions. Some Thumb instructions also access to the Program Counter (ARM Register 15), the Link Register (ARM Register 14) and the

Stack Pointer (ARM Register 13). Further instructions allow limited access to the ARM registers 8 to 15.

Table 11-3 gives the Thumb instruction mnemonic list.

**Table 11-3.** Thumb Instruction Mnemonic List

| Mnemonic | Operation              | Mnemonic | Operation               |
|----------|------------------------|----------|-------------------------|
| MOV      | Move                   | MVN      | Move Not                |
| ADD      | Add                    | ADC      | Add with Carry          |
| SUB      | Subtract               | SBC      | Subtract with Carry     |
| CMP      | Compare                | CMN      | Compare Negated         |
| TST      | Test                   | NEG      | Negate                  |
| AND      | Logical AND            | BIC      | Bit Clear               |
| EOR      | Logical Exclusive OR   | ORR      | Logical (inclusive) OR  |
| LSL      | Logical Shift Left     | LSR      | Logical Shift Right     |
| ASR      | Arithmetic Shift Right | ROR      | Rotate Right            |
| MUL      | Multiply               |          |                         |
| B        | Branch                 | BL       | Branch and Link         |
| BX       | Branch and Exchange    | SWI      | Software Interrupt      |
| LDR      | Load Word              | STR      | Store Word              |
| LDRH     | Load Half Word         | STRH     | Store Half Word         |
| LDRB     | Load Byte              | STRB     | Store Byte              |
| LDRSH    | Load Signed Halfword   | LDRSB    | Load Signed Byte        |
| LDMIA    | Load Multiple          | STMIA    | Store Multiple          |
| PUSH     | Push Register to stack | POP      | Pop Register from stack |

## 12. Debug and Test Features

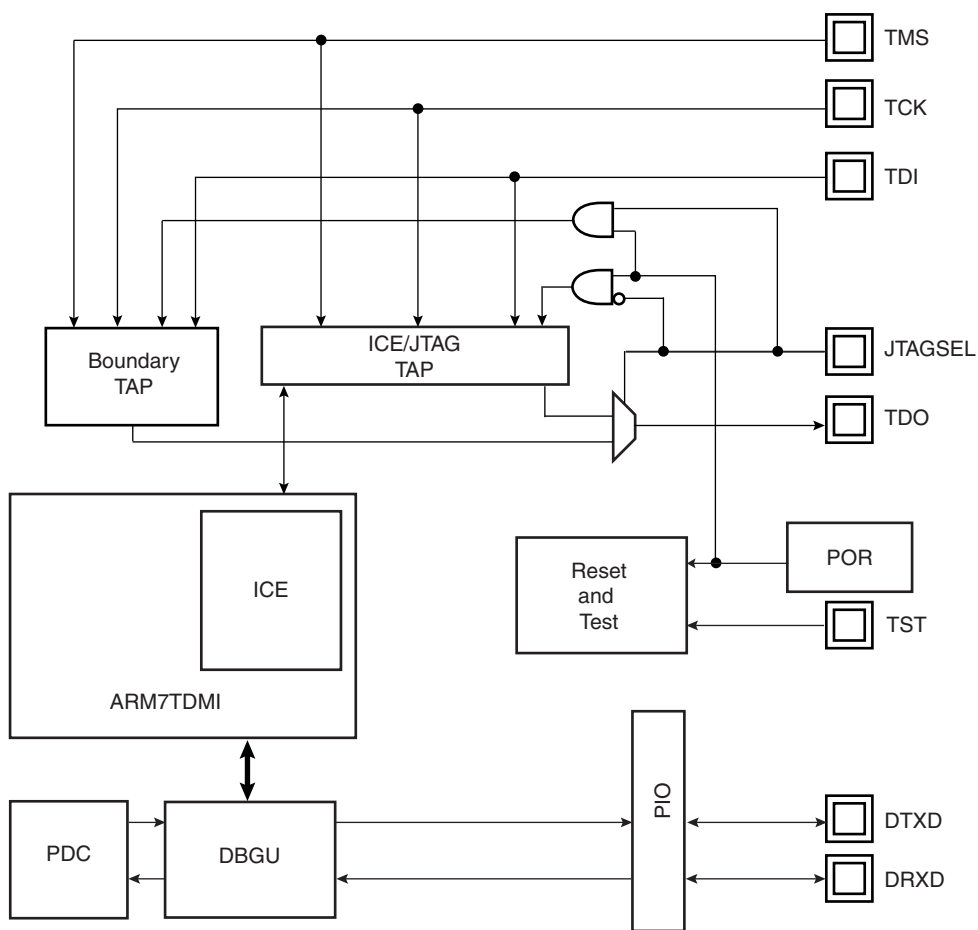
### 12.1 Description

The AT91SAM7S Series Microcontrollers feature a number of complementary debug and test capabilities. A common JTAG/ICE (EmbeddedICE) port is used for standard debugging functions, such as downloading code and single-stepping through programs. The Debug Unit provides a two-pin UART that can be used to upload an application into internal SRAM. It manages the interrupt handling of the internal COMMTX and COMMRX signals that trace the activity of the Debug Communication Channel.

A set of dedicated debug and test input/output pins gives direct access to these capabilities from a PC-based test environment.

### 12.2 Block Diagram

Figure 12-1. Debug and Test Block Diagram

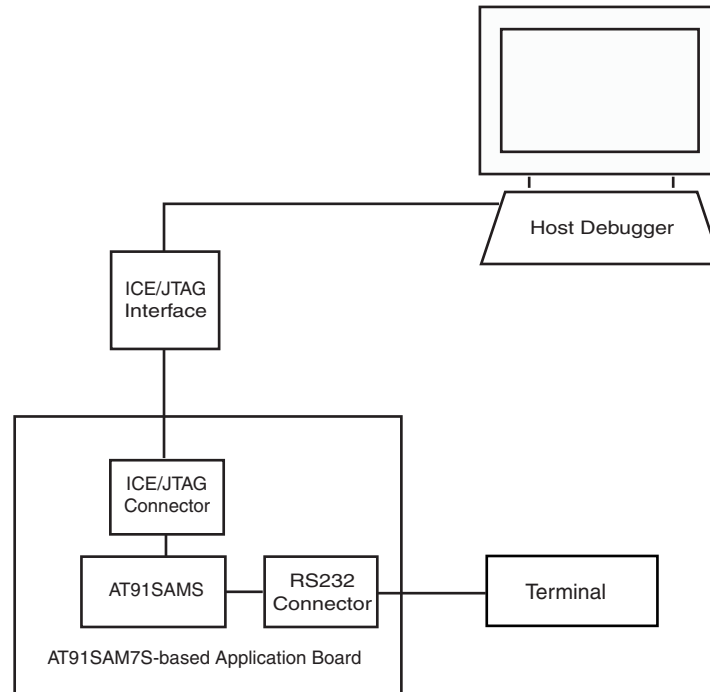


## 12.3 Application Examples

### 12.3.1 Debug Environment

Figure 12-2 on page 48 shows a complete debug environment example. The ICE/JTAG interface is used for standard debugging functions, such as downloading code and single-stepping through the program.

**Figure 12-2.** Application Debug Environment Example

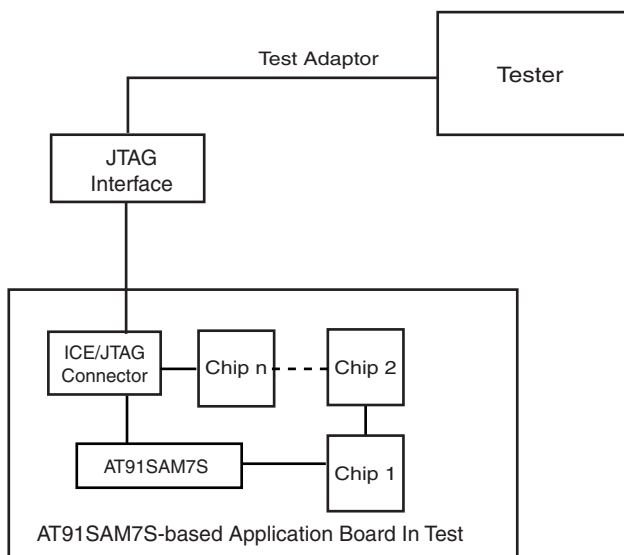




## 12.3.2 Test Environment

Figure 12-3 on page 49 shows a test environment example. Test vectors are sent and interpreted by the tester. In this example, the “board in test” is designed using a number of JTAG-compliant devices. These devices can be connected to form a single scan chain.

**Figure 12-3.** Application Test Environment Example



## 12.4 Debug and Test Pin Description

**Table 12-1.** Debug and Test Pin List

| Pin Name            | Function              | Type         | Active Level |
|---------------------|-----------------------|--------------|--------------|
| <b>Reset/Test</b>   |                       |              |              |
| NRST                | Microcontroller Reset | Input/Output | Low          |
| TST                 | Test Mode Select      | Input        | High         |
| <b>ICE and JTAG</b> |                       |              |              |
| TCK                 | Test Clock            | Input        |              |
| TDI                 | Test Data In          | Input        |              |
| TDO                 | Test Data Out         | Output       |              |
| TMS                 | Test Mode Select      | Input        |              |
| JTAGSEL             | JTAG Selection        | Input        |              |
| <b>Debug Unit</b>   |                       |              |              |
| DRXD                | Debug Receive Data    | Input        |              |
| DTXD                | Debug Transmit Data   | Output       |              |

## 12.5 Functional Description

### 12.5.1 Test Pin

One dedicated pin, TST, is used to define the device operating mode. The user must make sure that this pin is tied at low level to ensure normal operating conditions. Other values associated with this pin are reserved for manufacturing test.

### 12.5.2 EmbeddedICE™ (Embedded In-circuit Emulator)

The ARM7TDMI EmbeddedICE is supported via the ICE/JTAG port. The internal state of the ARM7TDMI is examined through an ICE/JTAG port.

The ARM7TDMI processor contains hardware extensions for advanced debugging features:

- In halt mode, a store-multiple (STM) can be inserted into the instruction pipeline. This exports the contents of the ARM7TDMI registers. This data can be serially shifted out without affecting the rest of the system.
- In monitor mode, the JTAG interface is used to transfer data between the debugger and a simple monitor program running on the ARM7TDMI processor.

There are three scan chains inside the ARM7TDMI processor that support testing, debugging, and programming of the Embedded ICE. The scan chains are controlled by the ICE/JTAG port.

EmbeddedICE mode is selected when JTAGSEL is low. It is not possible to switch directly between ICE and JTAG operations. A chip reset must be performed after JTAGSEL is changed.

For further details on the EmbeddedICE, see the ARM7TDMI (Rev4) Technical Reference Manual (DDI0210B).

### 12.5.3 Debug Unit

The Debug Unit provides a two-pin (DXRD and TXRD) USART that can be used for several debug and trace purposes and offers an ideal means for in-situ programming solutions and debug monitor communication. Moreover, the association with two peripheral data controller channels permits packet handling of these tasks with processor time reduced to a minimum.

The Debug Unit also manages the interrupt handling of the COMMTX and COMMRX signals that come from the ICE and that trace the activity of the Debug Communication Channel. The Debug Unit allows blockage of access to the system through the ICE interface.

A specific register, the Debug Unit Chip ID Register, gives information about the product version and its internal configuration.

**Table 12-2.** AT91SAM7S Series Debug Unit Chip ID

| Chip Name          | Chip ID    |
|--------------------|------------|
| AT91SAM7S16        | 0x27050240 |
| AT91SAM7S161       | 0x27050241 |
| AT91SAM7S32        | 0x27080340 |
| AT91SAM7S321       | 0x27080342 |
| AT91SAM7S64        | 0x27090540 |
| AT91SAM7S128       | 0x270A0740 |
| AT91SAM7S128 Rev B | 0x270C0741 |

**Table 12-2.** AT91SAM7S Series Debug Unit Chip ID (Continued)

|                    |            |
|--------------------|------------|
| AT91SAM7S256       | 0x270B0940 |
| AT91SAM7S256 Rev B | 0x270D0941 |
| AT91SAM7S512       | 0x270B0A40 |

For further details on the Debug Unit, see the Debug Unit section.

#### 12.5.4 IEEE 1149.1 JTAG Boundary Scan

IEEE 1149.1 JTAG Boundary Scan allows pin-level access independent of the device packaging technology.

IEEE 1149.1 JTAG Boundary Scan is enabled when JTAGSEL is high. The SAMPLE, EXTEST and BYPASS functions are implemented. In ICE debug mode, the ARM processor responds with a non-JTAG chip ID that identifies the processor to the ICE system. This is not IEEE 1149.1 JTAG-compliant.

It is not possible to switch directly between JTAG and ICE operations. A chip reset must be performed after JTAGSEL is changed.

A Boundary-scan Descriptor Language (BSDL) file is provided to set up testing.

##### 12.5.4.1 JTAG Boundary-scan Register

The Boundary-scan Register (BSR) contains 96 bits that correspond to active pins and associated control signals.

Each AT91SAM7Sxx input/output pin corresponds to a 3-bit register in the BSR. The OUTPUT bit contains data that can be forced on the pad. The INPUT bit facilitates the observability of data applied to the pad. The CONTROL bit selects the direction of the pad.

**Table 12-3.** AT91SAM7Sxx JTAG Boundary Scan Register

| Bit Number | Pin Name       | Pin Type | Associated BSR Cells   |
|------------|----------------|----------|------------------------|
| 96         | PA17/PGMD5/AD0 | IN/OUT   | INPUT                  |
| 95         |                |          | OUTPUT                 |
| 94         |                |          | CONTROL                |
| 93         | PA18/PGMD6/AD1 | IN/OUT   | INPUT                  |
| 92         |                |          | OUTPUT                 |
| 91         |                |          | CONTROL                |
| 90         | PA21/PGMD9*    | IN/OUT*  | INPUT <sup>(1)</sup>   |
| 89         |                |          | OUTPUT <sup>(1)</sup>  |
| 88         |                |          | CONTROL <sup>(1)</sup> |
| 87         | PA19/PGMD7/AD2 | IN/OUT   | INPUT                  |
| 86         |                |          | OUTPUT                 |
| 85         |                |          | CONTROL                |

**Table 12-3.** AT91SAM7Sxx JTAG Boundary Scan Register (Continued)

| Bit Number | Pin Name       | Pin Type | Associated BSR Cells   |
|------------|----------------|----------|------------------------|
| 84         | PA20/PGMD8/AD3 | IN/OUT   | INPUT                  |
| 83         |                |          | OUTPUT                 |
| 82         |                |          | CONTROL                |
| 81         | PA16/PGMD4     | IN/OUT   | INPUT                  |
| 80         |                |          | OUTPUT                 |
| 79         |                |          | CONTROL                |
| 78         | PA15/PGM3      | IN/OUT   | INPUT                  |
| 77         |                |          | OUTPUT                 |
| 76         |                |          | CONTROL                |
| 75         | PA14/PGMD2     | IN/OUT   | INPUT                  |
| 74         |                |          | OUTPUT                 |
| 73         |                |          | CONTROL                |
| 72         | PA13/PGMD1     | IN/OUT   | INPUT                  |
| 71         |                |          | OUTPUT                 |
| 70         |                |          | CONTROL                |
| 69         | PA22/PGMD10*   | IN/OUT*  | INPUT <sup>(1)</sup>   |
| 68         |                |          | OUTPUT <sup>(1)</sup>  |
| 67         |                |          | CONTROL <sup>(1)</sup> |
| 66         | PA23/PGMD11*   | IN/OUT*  | INPUT <sup>(1)</sup>   |
| 65         |                |          | OUTPUT <sup>(1)</sup>  |
| 64         |                |          | CONTROL <sup>(1)</sup> |
| 63         | PA24/PGMD12*   | IN/OUT*  | INPUT <sup>(1)</sup>   |
| 62         |                |          | OUTPUT <sup>(1)</sup>  |
| 61         |                |          | CONTROL <sup>(1)</sup> |
| 60         | PA12/PGMD0     | IN/OUT   | INPUT                  |
| 59         |                |          | OUTPUT                 |
| 58         |                |          | CONTROL                |
| 57         | PA11/PGMM3     | IN/OUT   | INPUT                  |
| 56         |                |          | OUTPUT                 |
| 55         |                |          | CONTROL                |
| 54         | PA10/PGMM2     | IN/OUT   | INPUT                  |
| 53         |                |          | OUTPUT                 |
| 52         |                |          | CONTROL                |

**Table 12-3. AT91SAM7Sxx JTAG Boundary Scan Register (Continued)**

| Bit Number | Pin Name      | Pin Type | Associated BSR Cells   |
|------------|---------------|----------|------------------------|
| 51         | PA9/PGMM1     | IN/OUT   | INPUT                  |
| 50         |               |          | OUTPUT                 |
| 49         |               |          | CONTROL                |
| 48         | PA8/PGMM0     | IN/OUT   | INPUT                  |
| 47         |               |          | OUTPUT                 |
| 46         |               |          | CONTROL                |
| 45         | PA7/PGMNVALID | IN/OUT   | INPUT                  |
| 44         |               |          | OUTPUT                 |
| 43         |               |          | CONTROL                |
| 42         | PA6/PGMNOE    | IN/OUT   | INPUT                  |
| 41         |               |          | OUTPUT                 |
| 40         |               |          | CONTROL                |
| 39         | PA5/PGMRDY    | IN/OUT   | INPUT                  |
| 38         |               |          | OUTPUT                 |
| 37         |               |          | CONTROL                |
| 36         | PA4/PGMNCMD   | IN/OUT   | INPUT                  |
| 35         |               |          | OUTPUT                 |
| 34         |               |          | CONTROL                |
| 33         | PA25/PGMD13   | IN/OUT   | INPUT <sup>(1)</sup>   |
| 32         |               |          | OUTPUT <sup>(1)</sup>  |
| 31         |               |          | CONTROL <sup>(1)</sup> |
| 30         | PA26/PGMD14   | IN/OUT   | INPUT <sup>(1)</sup>   |
| 29         |               |          | OUTPUT <sup>(1)</sup>  |
| 28         |               |          | CONTROL <sup>(1)</sup> |
| 27         | PA27/PGMD15   | IN/OUT   | INPUT <sup>(1)</sup>   |
| 26         |               |          | OUTPUT <sup>(1)</sup>  |
| 25         |               |          | CONTROL <sup>(1)</sup> |
| 24         | PA28          | IN/OUT   | INPUT <sup>(1)</sup>   |
| 23         |               |          | OUTPUT <sup>(1)</sup>  |
| 22         |               |          | CONTROL <sup>(1)</sup> |
| 21         | PA3           | IN/OUT   | INPUT                  |
| 20         |               |          | OUTPUT                 |
| 19         |               |          | CONTROL                |

**Table 12-3.** AT91SAM7Sxx JTAG Boundary Scan Register (Continued)

| Bit Number | Pin Name   | Pin Type | Associated BSR Cells   |
|------------|------------|----------|------------------------|
| 18         | PA2        | IN/OUT   | INPUT                  |
| 17         |            |          | OUTPUT                 |
| 16         |            |          | CONTROL                |
| 15         | PA1/PGMEN1 | IN/OUT   | INPUT                  |
| 14         |            |          | OUTPUT                 |
| 13         |            |          | CONTROL                |
| 12         | PA0/PGMEN0 | IN/OUT   | INPUT                  |
| 11         |            |          | OUTPUT                 |
| 10         |            |          | CONTROL                |
| 9          | PA29       | IN/OUT   | INPUT <sup>(1)</sup>   |
| 8          |            |          | OUTPUT <sup>(1)</sup>  |
| 7          |            |          | CONTROL <sup>(1)</sup> |
| 6          | PA30       | IN/OUT   | INPUT <sup>(1)</sup>   |
| 5          |            |          | OUTPUT <sup>(1)</sup>  |
| 4          |            |          | CONTROL <sup>(1)</sup> |
| 3          | PA31       | IN/OUT   | INPUT <sup>(1)</sup>   |
| 2          |            |          | OUTPUT <sup>(1)</sup>  |
| 1          |            |          | CONTROL <sup>(1)</sup> |
| 0          | ERASE      | IN       | INPUT                  |

Note: 1. Does not pertain to AT91SAM7S32.



### 12.5.5 ID Code Register

Access: Read-only

|                       |    |    |    |                       |    |    |    |
|-----------------------|----|----|----|-----------------------|----|----|----|
| 31                    | 30 | 29 | 28 | 27                    | 26 | 25 | 24 |
| VERSION               |    |    |    | PART NUMBER           |    |    |    |
| 23                    | 22 | 21 | 20 | 19                    | 18 | 17 | 16 |
| PART NUMBER           |    |    |    |                       |    |    |    |
| 15                    | 14 | 13 | 12 | 11                    | 10 | 9  | 8  |
| PART NUMBER           |    |    |    | MANUFACTURER IDENTITY |    |    |    |
| 7                     | 6  | 5  | 4  | 3                     | 2  | 1  | 0  |
| MANUFACTURER IDENTITY |    |    |    |                       |    |    | 1  |

The JTAG D is used in the IEEE 1149.1 JTAG Boundary Scan.

- **VERSION[31:28]: Product Version Number**

Set to 0x0.

- **PART NUMBER[27:12]: Product Part Number**

| Chip Name    | Chip ID |
|--------------|---------|
| AT91SAM7S16  | 0x5B22  |
| AT91SAM7S161 | 0x5B1F  |
| AT91SAM7S32  | 0x5B07  |
| AT91SAM7S321 | 0x5B12  |
| AT91SAM7S64  | 0x5B06  |
| AT91SAM7S128 | 0x5B09  |
| AT91SAM7S256 | 0x5B0A  |
| AT91SAM7S512 | 0x5B1A  |

- **MANUFACTURER IDENTITY[11:1]**

Set to 0x01F.

- **Bit[0] Required by IEEE Std. 1149.1.**

Set to 0x1.

| Chip Name    | JTAG ID Code |
|--------------|--------------|
| AT91SAM7S16  | 05B2_203F    |
| AT91SAM7S161 | 05B1_F03F    |
| AT91SAM7S32  | 05B0_703F    |
| AT91SAM7S321 | 05B1_203F    |
| AT91SAM7S64  | 05B0_603F    |
| AT91SAM7S128 | 05B0_A03F    |
| AT91SAM7S256 | 05B0_903F    |
| AT91SAM7S512 | 05B1_A03F    |



## 13. Reset Controller (RSTC)

### 13.1 Overview

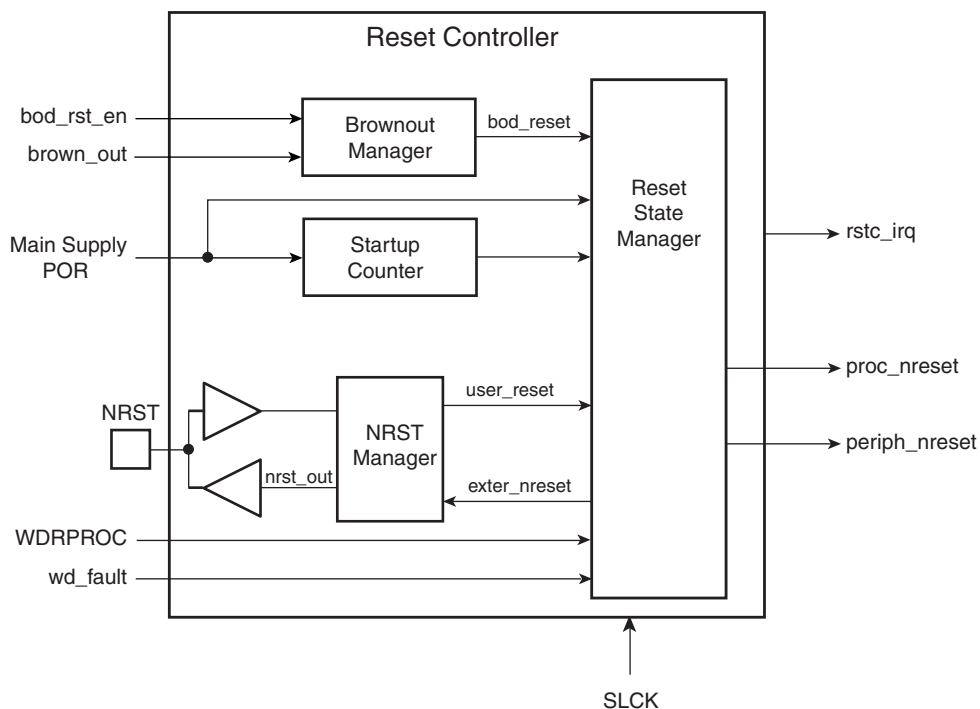
The Reset Controller (RSTC), based on power-on reset cells, handles all the resets of the system without any external components. It reports which reset occurred last.

The Reset Controller also drives independently or simultaneously the external reset and the peripheral and processor resets.

A brownout detection is also available to prevent the processor from falling into an unpredictable state.

### 13.2 Block Diagram

Figure 13-1. Reset Controller Block Diagram



## 13.3 Functional Description

### 13.3.1 Reset Controller Overview

The Reset Controller is made up of an NRST Manager, a Brownout Manager, a Startup Counter and a Reset State Manager. It runs at Slow Clock and generates the following reset signals:

- `proc_nreset`: Processor reset line. It also resets the Watchdog Timer.
- `periph_nreset`: Affects the whole set of embedded peripherals.
- `nrst_out`: Drives the NRST pin.

These reset signals are asserted by the Reset Controller, either on external events or on software action. The Reset State Manager controls the generation of reset signals and provides a signal to the NRST Manager when an assertion of the NRST pin is required.

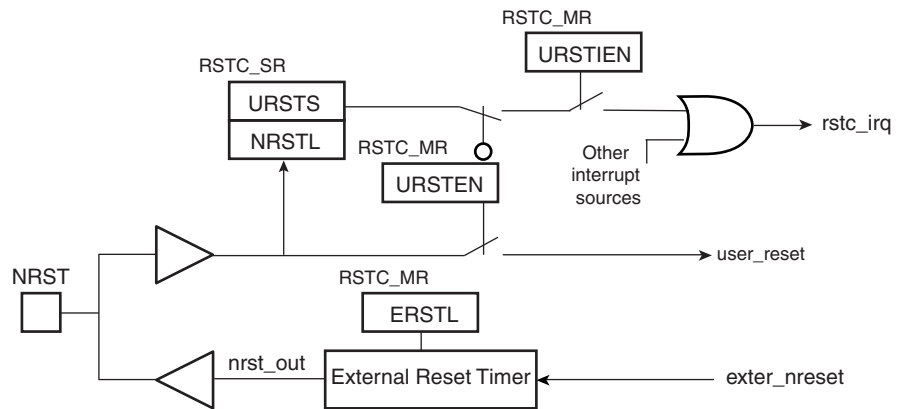
The NRST Manager shapes the NRST assertion during a programmable time, thus controlling external device resets.

The startup counter waits for the complete crystal oscillator startup. The wait delay is given by the crystal oscillator startup time maximum value that can be found in the section Crystal Oscillator Characteristics in the Electrical Characteristics section of the product documentation.

### 13.3.2 NRST Manager

The NRST Manager samples the NRST input pin and drives this pin low when required by the Reset State Manager. [Figure 13-2](#) shows the block diagram of the NRST Manager.

**Figure 13-2.** NRST Manager



#### 13.3.2.1 NRST Signal or Interrupt

The NRST Manager samples the NRST pin at Slow Clock speed. When the line is detected low, a User Reset is reported to the Reset State Manager.

However, the NRST Manager can be programmed to not trigger a reset when an assertion of NRST occurs. Writing the bit `URSTEN` at 0 in `RSTC_MR` disables the User Reset trigger.

The level of the pin NRST can be read at any time in the bit `NRSTL` (NRST level) in `RSTC_SR`. As soon as the pin NRST is asserted, the bit `URSTS` in `RSTC_SR` is set. This bit clears only when `RSTC_SR` is read.

The Reset Controller can also be programmed to generate an interrupt instead of generating a reset. To do so, the bit `URSTIEN` in `RSTC_MR` must be written at 1.

### 13.3.2.2 NRST External Reset Control

The Reset State Manager asserts the signal `ext_nreset` to assert the NRST pin. When this occurs, the “`nrst_out`” signal is driven low by the NRST Manager for a time programmed by the field `ERSTL` in `RSTC_MR`. This assertion duration, named `EXTERNAL_RESET_LENGTH`, lasts  $2^{(ERSTL+1)}$  Slow Clock cycles. This gives the approximate duration of an assertion between 60  $\mu$ s and 2 seconds. Note that `ERSTL` at 0 defines a two-cycle duration for the NRST pulse.

This feature allows the Reset Controller to shape the NRST pin level, and thus to guarantee that the NRST line is driven low for a time compliant with potential external devices connected on the system reset.

### 13.3.3 Brownout Manager

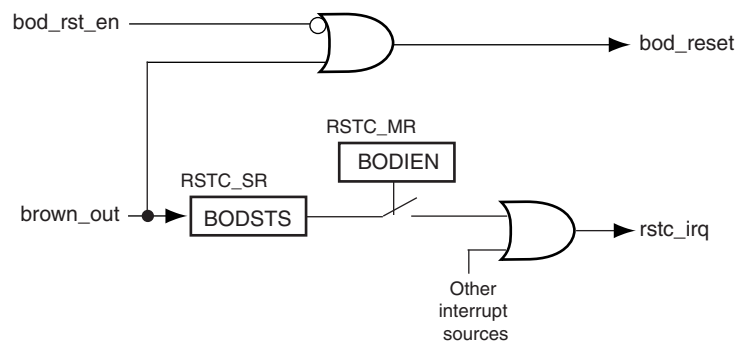
Brownout detection prevents the processor from falling into an unpredictable state if the power supply drops below a certain level. When `VDDCORE` drops below the brownout threshold, the brownout manager requests a brownout reset by asserting the `bod_reset` signal.

The programmer can disable the brownout reset by setting low the `bod_rst_en` input signal, i.e.; by locking the corresponding general-purpose NVM bit in the Flash. When the brownout reset is disabled, no reset is performed. Instead, the brownout detection is reported in the bit `BODSTS` of `RSTC_SR`. `BODSTS` is set and clears only when `RSTC_SR` is read.

The bit `BODSTS` can trigger an interrupt if the bit `BODIEN` is set in the `RSTC_MR`.

At factory, the brownout reset is disabled.

**Figure 13-3.** Brownout Manager



### 13.3.4 Reset States

The Reset State Manager handles the different reset sources and generates the internal reset signals. It reports the reset status in the field RSTTYP of the Status Register (RSTC\_SR). The update of the field RSTTYP is performed when the processor reset is released.

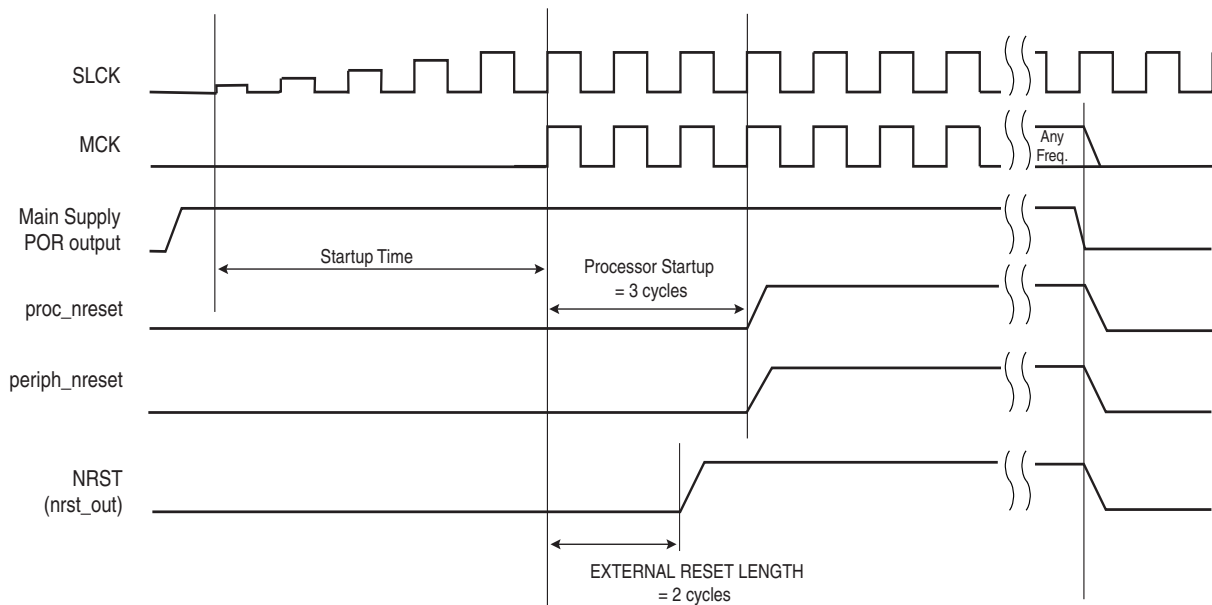
#### 13.3.4.1 Power-up Reset

When VDDCORE is powered on, the Main Supply POR cell output is filtered with a start-up counter that operates at Slow Clock. The purpose of this counter is to ensure that the Slow Clock oscillator is stable before starting up the device.

The startup time, as shown in Figure 13-4, is hardcoded to comply with the Slow Clock Oscillator startup time. After the startup time, the reset signals are released and the field RSTTYP in RSTC\_SR reports a Power-up Reset.

When VDDCORE is detected low by the Main Supply POR Cell, all reset signals are asserted immediately.

**Figure 13-4.** Power-up Reset



## 13.3.4.2 User Reset

The User Reset is entered when a low level is detected on the NRST pin and the bit URSTEN in RSTC\_MR is at 1. The NRST input signal is resynchronized with SLCK to insure proper behavior of the system.

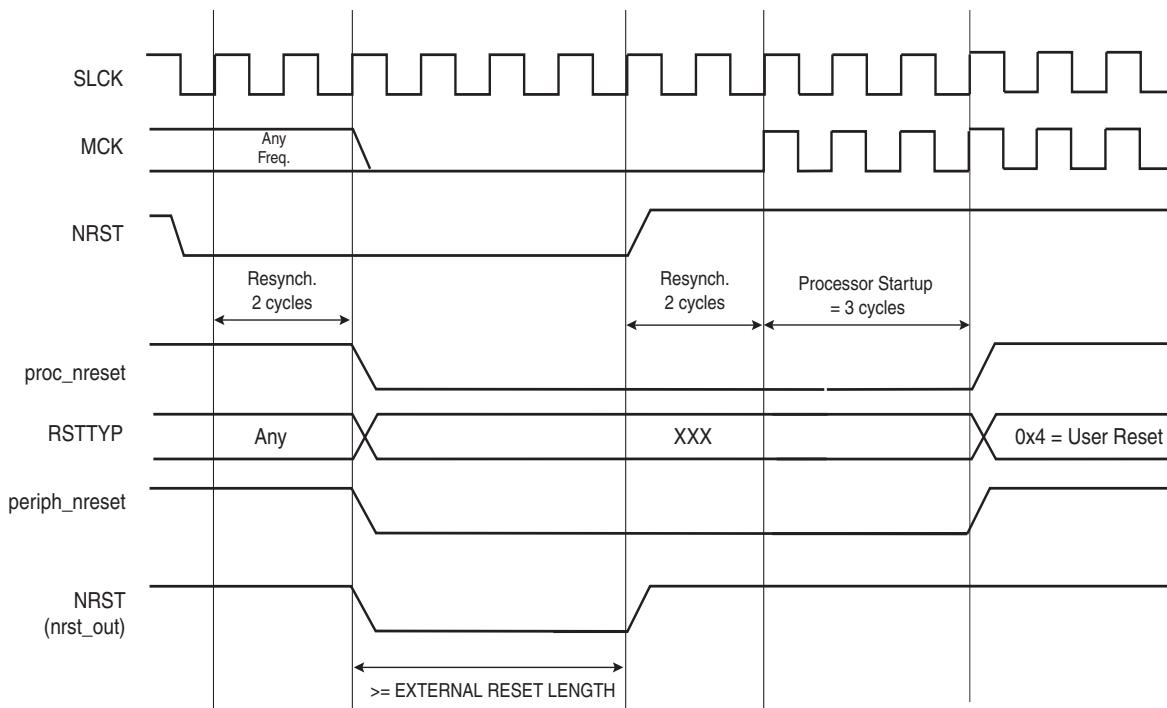
The User Reset is entered as soon as a low level is detected on NRST. The Processor Reset and the Peripheral Reset are asserted.

The User Reset is left when NRST rises, after a two-cycle resynchronization time and a three-cycle processor startup. The processor clock is re-enabled as soon as NRST is confirmed high.

When the processor reset signal is released, the RSTTYP field of the Status Register (RSTC\_SR) is loaded with the value 0x4, indicating a User Reset.

The NRST Manager guarantees that the NRST line is asserted for EXTERNAL\_RESET\_LENGTH Slow Clock cycles, as programmed in the field ERSTL. However, if NRST does not rise after EXTERNAL\_RESET\_LENGTH because it is driven low externally, the internal reset lines remain asserted until NRST actually rises.

**Figure 13-5.** User Reset State



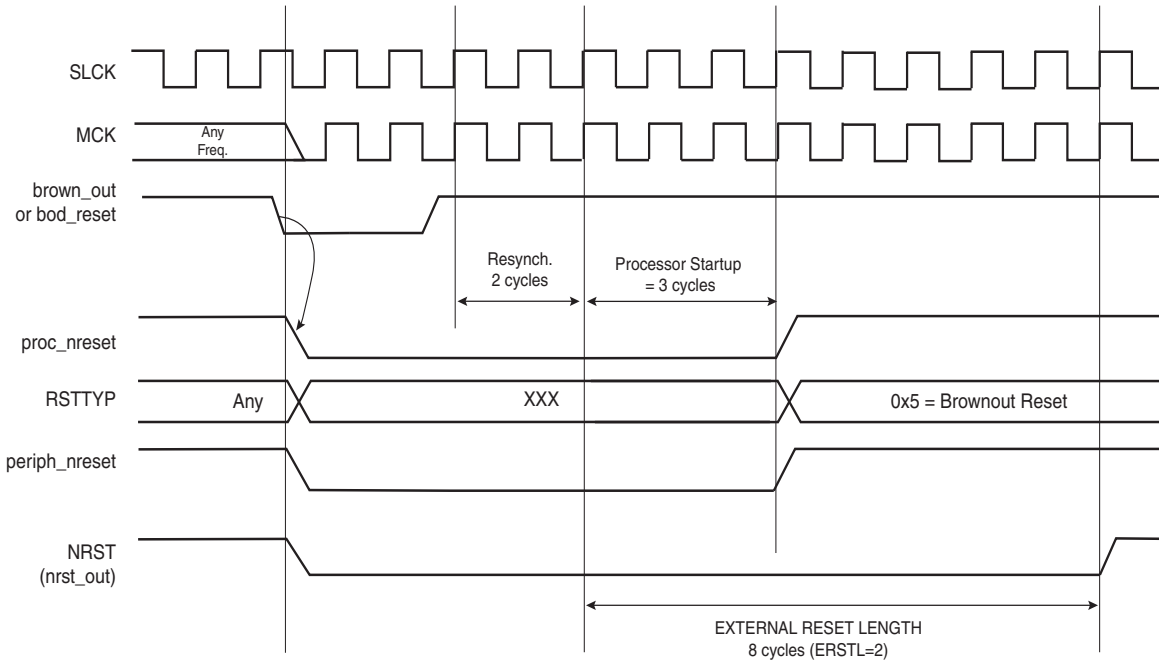
### 13.3.4.3 Brownout Reset

When the brown\_out/bod\_reset signal is asserted, the Reset State Manager immediately enters the Brownout Reset. In this state, the processor, the peripheral and the external reset lines are asserted.

The Brownout Reset is left Y Slow Clock cycles after the rising edge of brown\_out/bod\_reset after a two-cycle resynchronization. An external reset is also triggered.

When the processor reset is released, the field RSTTYP in RSTC\_SR is loaded with the value 0x5, thus indicating that the last reset is a Brownout Reset.

**Figure 13-6.** Brownout Reset State



## 13.3.4.4 Software Reset

The Reset Controller offers several commands used to assert the different reset signals. These commands are performed by writing the Control Register (RSTC\_CR) with the following bits at 1:

- PROCRST: Writing PROCRST at 1 resets the processor and the watchdog timer.
- PERRST: Writing PERRST at 1 resets all the embedded peripherals, including the memory system, and, in particular, the Remap Command. The Peripheral Reset is generally used for debug purposes.  
Except for Debug purposes, PERRST must always be used in conjunction with PROCRST (PERRST and PROCRST set both at 1 simultaneously.)
- EXTRST: Writing EXTRST at 1 asserts low the NRST pin during a time defined by the field ERSTL in the Mode Register (RSTC\_MR).

The software reset is entered if at least one of these bits is set by the software. All these commands can be performed independently or simultaneously. The software reset lasts Y Slow Clock cycles.

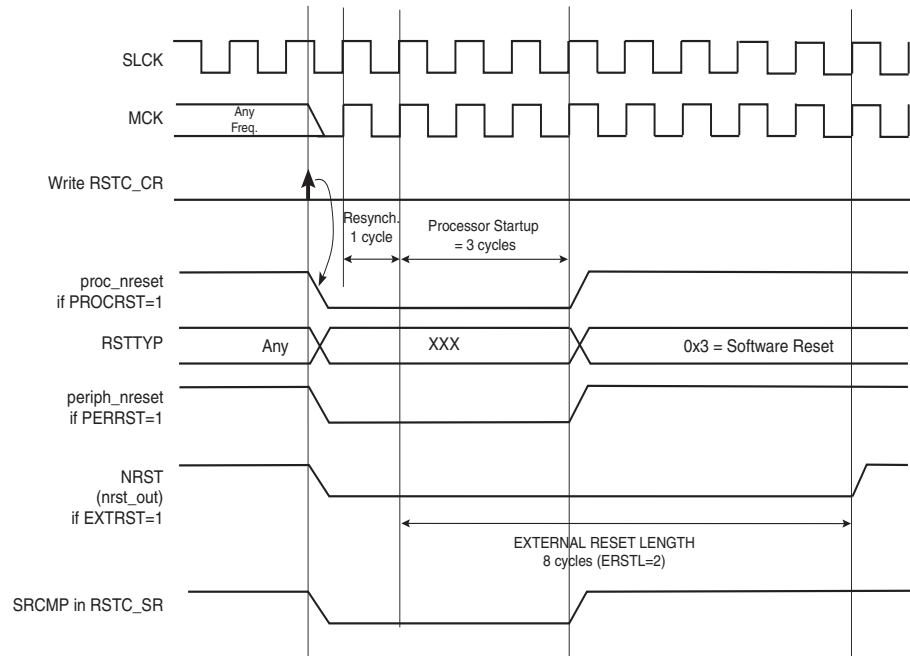
The internal reset signals are asserted as soon as the register write is performed. This is detected on the Master Clock (MCK). They are released when the software reset is left, i.e.; synchronously to SLCK.

If EXTRST is set, the nrst\_out signal is asserted depending on the programming of the field ERSTL. However, the resulting falling edge on NRST does not lead to a User Reset.

If and only if the PROCRST bit is set, the Reset Controller reports the software status in the field RSTTYP of the Status Register (RSTC\_SR). Other Software Resets are not reported in RSTTYP.

As soon as a software operation is detected, the bit SRCMP (Software Reset Command in Progress) is set in the Status Register (RSTC\_SR). It is cleared as soon as the software reset is left. No other software reset can be performed while the SRCMP bit is set, and writing any value in RSTC\_CR has no effect.

**Figure 13-7. Software Reset**



#### 13.3.4.5 Watchdog Reset

The Watchdog Reset is entered when a watchdog fault occurs. This state lasts Y Slow Clock cycles.

When in Watchdog Reset, assertion of the reset signals depends on the WDRPROC bit in WDT\_MR:

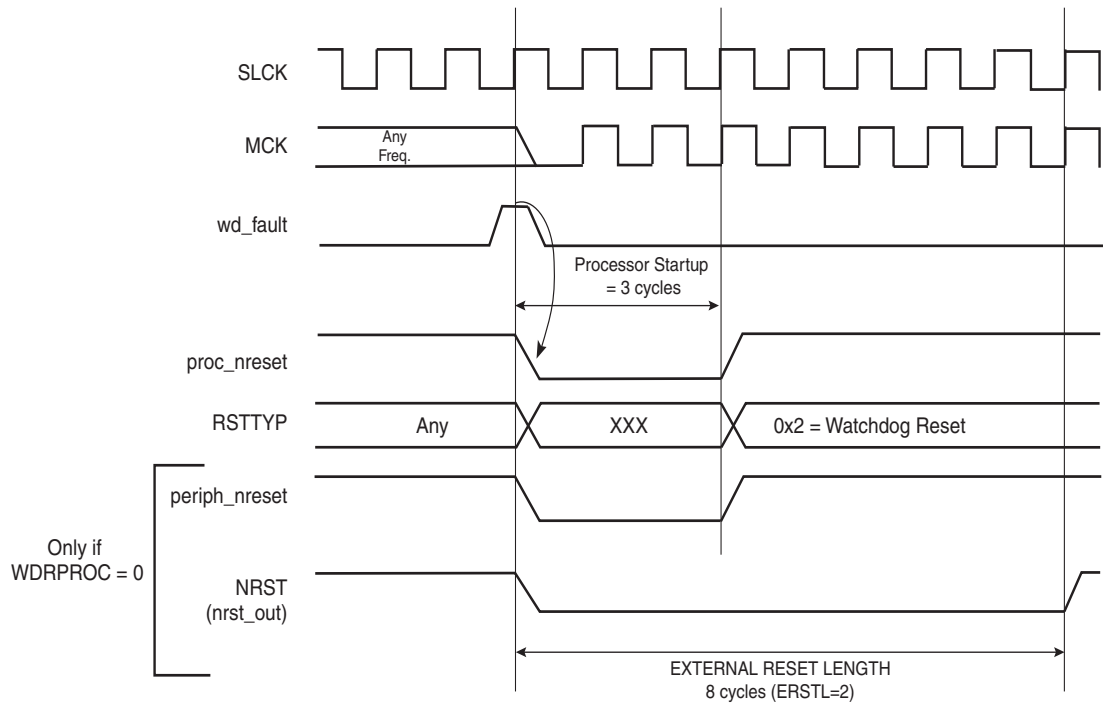
- If WDRPROC is 0, the Processor Reset and the Peripheral Reset are asserted. The NRST line is also asserted, depending on the programming of the field ERSTL. However, the resulting low level on NRST does not result in a User Reset state.
- If WDRPROC = 1, only the processor reset is asserted.

The Watchdog Timer is reset by the proc\_nreset signal. As the watchdog fault always causes a processor reset if WDRSTEN is set, the Watchdog Timer is always reset after a Watchdog Reset, and the Watchdog is enabled by default and with a period set to a maximum.

When the WDRSTEN in WDT\_MR bit is reset, the watchdog fault has no impact on the reset controller.



**Figure 13-8. Watchdog Reset**



### 13.3.5 Reset State Priorities

The Reset State Manager manages the following priorities between the different reset sources, given in descending order:

- Power-up Reset
- Brownout Reset
- Watchdog Reset
- Software Reset
- User Reset

Particular cases are listed below:

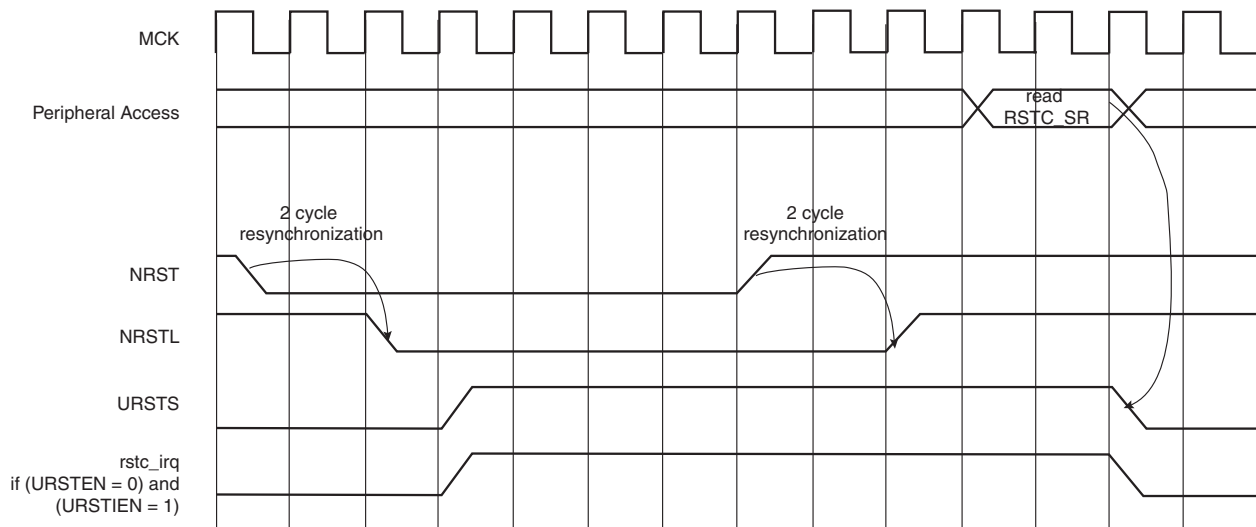
- When in User Reset:
  - A watchdog event is impossible because the Watchdog Timer is being reset by the `proc_nreset` signal.
  - A software reset is impossible, since the processor reset is being activated.
- When in Software Reset:
  - A watchdog event has priority over the current state.
  - The NRST has no effect.
- When in Watchdog Reset:
  - The processor reset is active and so a Software Reset cannot be programmed.
  - A User Reset cannot be entered.

### 13.3.6 Reset Controller Status Register

The Reset Controller status register (`RSTC_SR`) provides several status fields:

- `RSTTYP` field: This field gives the type of the last reset, as explained in previous sections.
- `SRCMP` bit: This field indicates that a Software Reset Command is in progress and that no further software reset should be performed until the end of the current one. This bit is automatically cleared at the end of the current software reset.
- `NRSTL` bit: The `NRSTL` bit of the Status Register gives the level of the NRST pin sampled on each MCK rising edge.
- `URSTS` bit: A high-to-low transition of the NRST pin sets the `URSTS` bit of the `RSTC_SR` register. This transition is also detected on the Master Clock (MCK) rising edge (see [Figure 13-9](#)). If the User Reset is disabled (`URSTEN = 0`) and if the interruption is enabled by the `URSTIEN` bit in the `RSTC_MR` register, the `URSTS` bit triggers an interrupt. Reading the `RSTC_SR` status register resets the `URSTS` bit and clears the interrupt.
- `BODSTS` bit: This bit indicates a brownout detection when the brownout reset is disabled (`bod_rst_en = 0`). It triggers an interrupt if the bit `BODIEN` in the `RSTC_MR` register enables the interrupt. Reading the `RSTC_SR` register resets the `BODSTS` bit and clears the interrupt.

**Figure 13-9.** Reset Controller Status and Interrupt



## 13.4 Reset Controller (RSTC) User Interface

**Table 13-1.** Register Mapping

| Offset | Register         | Name    | Access     | Reset       |
|--------|------------------|---------|------------|-------------|
| 0x00   | Control Register | RSTC_CR | Write-only | -           |
| 0x04   | Status Register  | RSTC_SR | Read-only  | 0x0000_0000 |
| 0x08   | Mode Register    | RSTC_MR | Read-write | 0x0000_0000 |

## 13.4.1 Reset Controller Control Register

**Register Name:** RSTC\_CR

**Access Type:** Write-only

|     |    |    |    |        |        |    |         |
|-----|----|----|----|--------|--------|----|---------|
| 31  | 30 | 29 | 28 | 27     | 26     | 25 | 24      |
| KEY |    |    |    |        |        |    |         |
| 23  | 22 | 21 | 20 | 19     | 18     | 17 | 16      |
| -   | -  | -  | -  | -      | -      | -  | -       |
| 15  | 14 | 13 | 12 | 11     | 10     | 9  | 8       |
| -   | -  | -  | -  | -      | -      | -  | -       |
| 7   | 6  | 5  | 4  | 3      | 2      | 1  | 0       |
| -   | -  | -  | -  | EXTRST | PERRST | -  | PROCRST |

- **PROCRST: Processor Reset**

0 = No effect.

1 = If KEY is correct, resets the processor.

- **PERRST: Peripheral Reset**

0 = No effect.

1 = If KEY is correct, resets the peripherals.

- **EXTRST: External Reset**

0 = No effect.

1 = If KEY is correct, asserts the NRST pin.

- **KEY: Password**

Should be written at value 0xA5. Writing any other value in this field aborts the write operation.



### 13.4.2 Reset Controller Status Register

Register Name: RSTC\_SR

Access Type: Read-only

|    |    |    |    |    |        |        |       |
|----|----|----|----|----|--------|--------|-------|
| 31 | 30 | 29 | 28 | 27 | 26     | 25     | 24    |
| –  | –  | –  | –  | –  | –      | –      | –     |
| 23 | 22 | 21 | 20 | 19 | 18     | 17     | 16    |
| –  | –  | –  | –  | –  | –      | SRCMP  | NRSTL |
| 15 | 14 | 13 | 12 | 11 | 10     | 9      | 8     |
| –  | –  | –  | –  | –  | RSTTYP |        |       |
| 7  | 6  | 5  | 4  | 3  | 2      | 1      | 0     |
| –  | –  | –  | –  | –  | –      | BODSTS | URSTS |

• **URSTS: User Reset Status**

0 = No high-to-low edge on NRST happened since the last read of RSTC\_SR.

1 = At least one high-to-low transition of NRST has been detected since the last read of RSTC\_SR.

• **BODSTS: Brownout Detection Status**

0 = No brownout high-to-low transition happened since the last read of RSTC\_SR.

1 = A brownout high-to-low transition has been detected since the last read of RSTC\_SR.

• **RSTTYP: Reset Type**

Reports the cause of the last processor reset. Reading this RSTC\_SR does not reset this field.

| RSTTYP |   |   | Reset Type     | Comments                                 |
|--------|---|---|----------------|--|
| 0      | 0 | 0 | Power-up Reset | VDDCORE rising                           |
| 0      | 1 | 0 | Watchdog Reset | Watchdog fault occurred                  |
| 0      | 1 | 1 | Software Reset | Processor reset required by the software |
| 1      | 0 | 0 | User Reset     | NRST pin detected low                    |
| 1      | 0 | 1 | Brownout Reset | BrownOut reset occurred                  |

• **NRSTL: NRST Pin Level**

Registers the NRST Pin Level at Master Clock (MCK).

• **SRCMP: Software Reset Command in Progress**

0 = No software command is being performed by the reset controller. The reset controller is ready for a software command.

1 = A software reset command is being performed by the reset controller. The reset controller is busy.

## 13.4.3 Reset Controller Mode Register

**Register Name:** RSTC\_MR

**Access Type:** Read/Write

|     |    |    |         |       |    |    |        |
|-----|----|----|---------|-------|----|----|--------|
| 31  | 30 | 29 | 28      | 27    | 26 | 25 | 24     |
| KEY |    |    |         |       |    |    |        |
| 23  | 22 | 21 | 20      | 19    | 18 | 17 | 16     |
| -   | -  | -  | -       | -     | -  | -  | BODIEN |
| 15  | 14 | 13 | 12      | 11    | 10 | 9  | 8      |
| -   | -  | -  | -       | ERSTL |    |    |        |
| 7   | 6  | 5  | 4       | 3     | 2  | 1  | 0      |
| -   | -  | -  | URSTIEN | -     | -  | -  | URSTEN |

- **URSTEN: User Reset Enable**

0 = The detection of a low level on the pin NRST does not generate a User Reset.

1 = The detection of a low level on the pin NRST triggers a User Reset.

- **URSTIEN: User Reset Interrupt Enable**

0 = USRTS bit in RSTC\_SR at 1 has no effect on rstc\_irq.

1 = USRTS bit in RSTC\_SR at 1 asserts rstc\_irq if URSTEN = 0.

- **BODIEN: Brownout Detection Interrupt Enable**

0 = BODSTS bit in RSTC\_SR at 1 has no effect on rstc\_irq.

1 = BODSTS bit in RSTC\_SR at 1 asserts rstc\_irq.

- **ERSTL: External Reset Length**

This field defines the external reset length. The external reset is asserted during a time of  $2^{(ERSTL+1)}$  Slow Clock cycles. This allows assertion duration to be programmed between 60  $\mu$ s and 2 seconds.

- **KEY: Password**

Should be written at value 0xA5. Writing any other value in this field aborts the write operation.









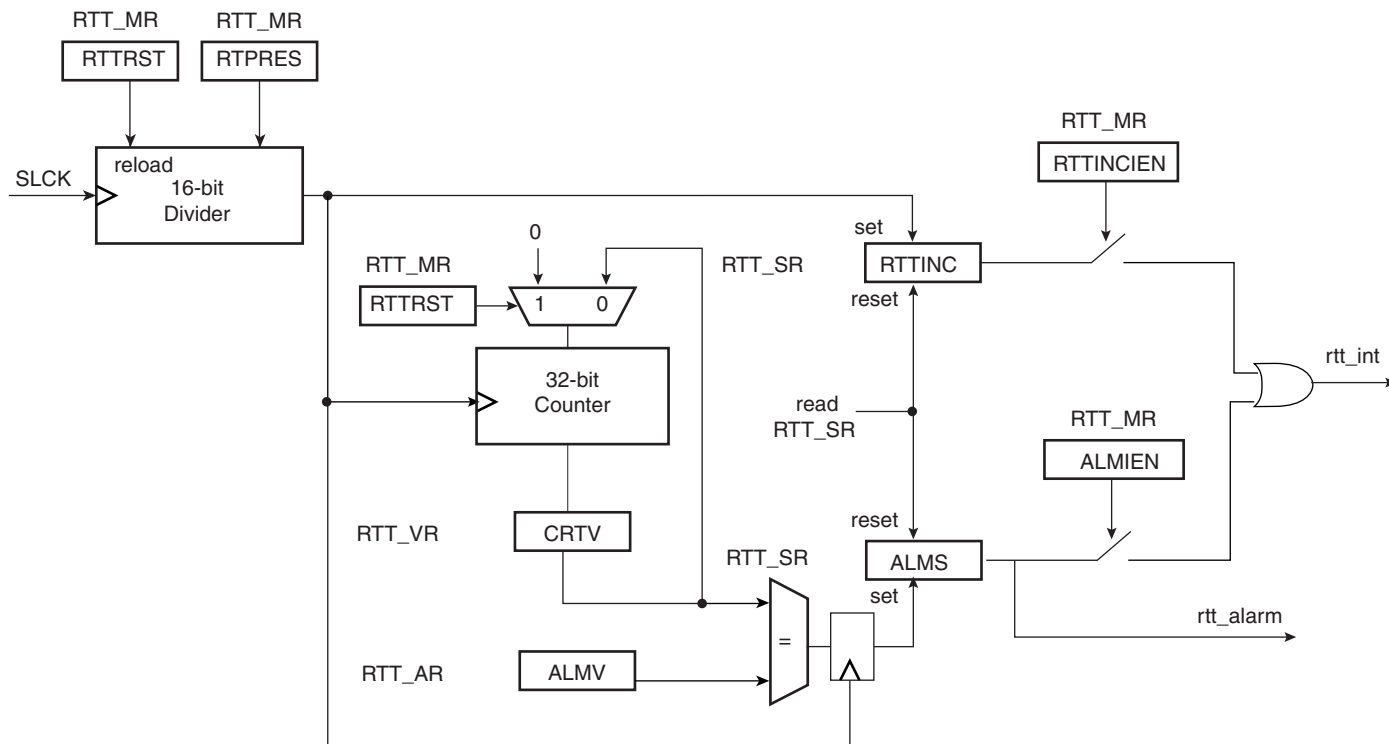
## 14. Real-time Timer (RTT)

### 14.1 Overview

The Real-time Timer is built around a 32-bit counter and used to count elapsed seconds. It generates a periodic interrupt or/and triggers an alarm on a programmed value.

### 14.2 Block Diagram

Figure 14-1. Real-time Timer



### 14.3 Functional Description

The Real-time Timer is used to count elapsed seconds. It is built around a 32-bit counter fed by Slow Clock divided by a programmable 16-bit value. The value can be programmed in the field RTPRES of the Real-time Mode Register (RTT\_MR).

Programming RTPRES at 0x00008000 corresponds to feeding the real-time counter with a 1 Hz signal (if the Slow Clock is 32.768 Hz). The 32-bit counter can count up to  $2^{32}$  seconds, corresponding to more than 136 years, then roll over to 0.

The Real-time Timer can also be used as a free-running timer with a lower time-base. The best accuracy is achieved by writing RTPRES to 3. Programming RTPRES to 1 or 2 is possible, but may result in losing status events because the status register is cleared two Slow Clock cycles after read. Thus if the RTT is configured to trigger an interrupt, the interrupt occurs during 2 Slow Clock cycles after reading RTT\_SR. To prevent several executions of the interrupt handler, the interrupt must be disabled in the interrupt handler and re-enabled when the status register is clear.

The Real-time Timer value (CRTV) can be read at any time in the register RTT\_VR (Real-time Value Register). As this value can be updated asynchronously from the Master Clock, it is advisable to read this register twice at the same value to improve accuracy of the returned value.

The current value of the counter is compared with the value written in the alarm register RTT\_AR (Real-time Alarm Register). If the counter value matches the alarm, the bit ALMS in RTT\_SR is set. The alarm register is set to its maximum value, corresponding to 0xFFFF\_FFFF, after a reset.

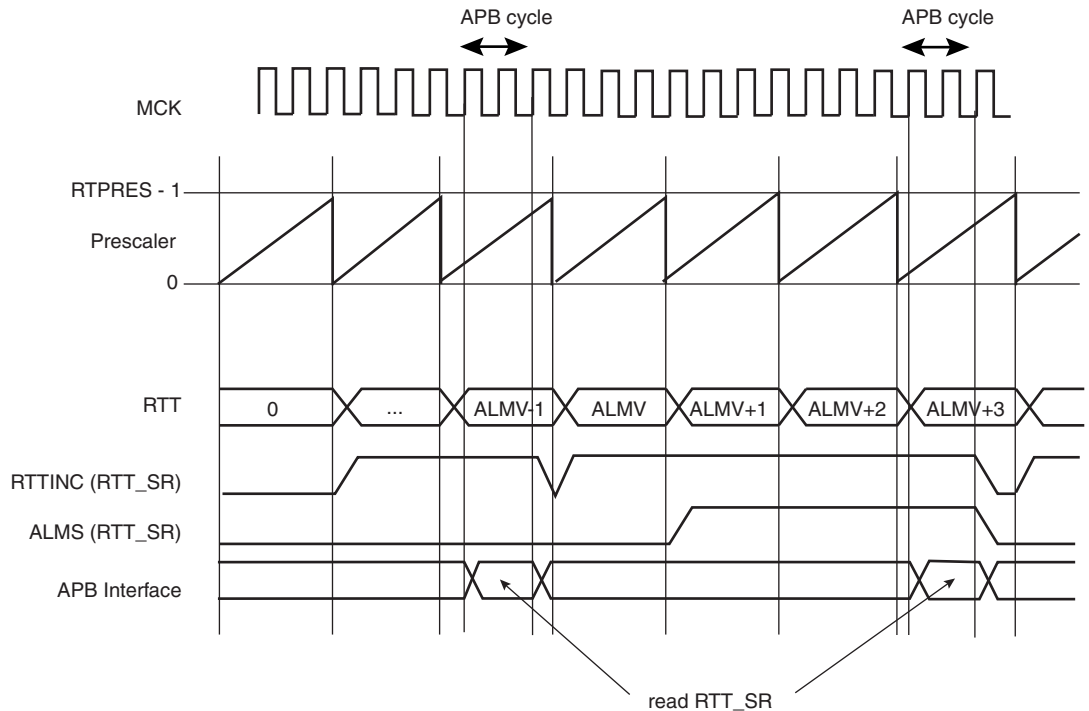
The bit RTTINC in RTT\_SR is set each time the Real-time Timer counter is incremented. This bit can be used to start a periodic interrupt, the period being one second when the RTPRES is programmed with 0x8000 and Slow Clock equal to 32.768 Hz.

Reading the RTT\_SR status register resets the RTTINC and ALMS fields.

Writing the bit RTTRST in RTT\_MR immediately reloads and restarts the clock divider with the new programmed value. This also resets the 32-bit counter.

- Note:
- Because of the asynchronism between the Slow Clock (SCLK) and the System Clock (MCK):
  - 1) The restart of the counter and the reset of the RTT\_VR current value register is effective only 2 slow clock cycles after the write of the RTTRST bit in the RTT\_MR register.
  - 2) The status register flags reset is taken into account only 2 slow clock cycles after the read of the RTT\_SR (Status Register).

**Figure 14-2.** RTT Counting



## 14.4 Real-time Timer (RTT) User Interface

**Table 14-1.** Register Mapping

| Offset | Register        | Name   | Access     | Reset       |
|--------|-----------------|--------|------------|-------------|
| 0x00   | Mode Register   | RTT_MR | Read-write | 0x0000_8000 |
| 0x04   | Alarm Register  | RTT_AR | Read-write | 0xFFFF_FFFF |
| 0x08   | Value Register  | RTT_VR | Read-only  | 0x0000_0000 |
| 0x0C   | Status Register | RTT_SR | Read-only  | 0x0000_0000 |

### 14.4.1 Real-time Timer Mode Register

**Register Name:** RTT\_MR

**Access Type:** Read-write

|        |    |    |    |    |        |           |        |
|--------|----|----|----|----|--------|-----------|--------|
| 31     | 30 | 29 | 28 | 27 | 26     | 25        | 24     |
| –      | –  | –  | –  | –  | –      | –         | –      |
| 23     | 22 | 21 | 20 | 19 | 18     | 17        | 16     |
| –      | –  | –  | –  | –  | RTRRST | RTTINCIEN | ALMIEN |
| 15     | 14 | 13 | 12 | 11 | 10     | 9         | 8      |
| RTPRES |    |    |    |    |        |           |        |
| 7      | 6  | 5  | 4  | 3  | 2      | 1         | 0      |
| RTPRES |    |    |    |    |        |           |        |

- **RTPRES: Real-time Timer Prescaler Value**

Defines the number of SLCK periods required to increment the real-time timer. RTPRES is defined as follows:

RTPRES = 0: The Prescaler Period is equal to  $2^{16}$

RTPRES  $\neq$  0: The Prescaler Period is equal to RTPRES.

- **ALMIEN: Alarm Interrupt Enable**

0 = The bit ALMS in RTT\_SR has no effect on interrupt.

1 = The bit ALMS in RTT\_SR asserts interrupt.

- **RTTINCIEN: Real-time Timer Increment Interrupt Enable**

0 = The bit RTTINC in RTT\_SR has no effect on interrupt.

1 = The bit RTTINC in RTT\_SR asserts interrupt.

- **RTRRST: Real-time Timer Restart**

1 = Reloads and restarts the clock divider with the new programmed value. This also resets the 32-bit counter.

## 14.4.2 Real-time Timer Alarm Register

**Register Name:** RTT\_AR

**Access Type:** Read-write

|      |    |    |    |    |    |    |    |
|------|----|----|----|----|----|----|----|
| 31   | 30 | 29 | 28 | 27 | 26 | 25 | 24 |
| ALMV |    |    |    |    |    |    |    |
| 23   | 22 | 21 | 20 | 19 | 18 | 17 | 16 |
| ALMV |    |    |    |    |    |    |    |
| 15   | 14 | 13 | 12 | 11 | 10 | 9  | 8  |
| ALMV |    |    |    |    |    |    |    |
| 7    | 6  | 5  | 4  | 3  | 2  | 1  | 0  |
| ALMV |    |    |    |    |    |    |    |

- **ALMV: Alarm Value**

Defines the alarm value (ALMV+1) compared with the Real-time Timer.

## 14.4.3 Real-time Timer Value Register

**Register Name:** RTT\_VR

**Access Type:** Read-only

|      |    |    |    |    |    |    |    |
|------|----|----|----|----|----|----|----|
| 31   | 30 | 29 | 28 | 27 | 26 | 25 | 24 |
| CRTV |    |    |    |    |    |    |    |
| 23   | 22 | 21 | 20 | 19 | 18 | 17 | 16 |
| CRTV |    |    |    |    |    |    |    |
| 15   | 14 | 13 | 12 | 11 | 10 | 9  | 8  |
| CRTV |    |    |    |    |    |    |    |
| 7    | 6  | 5  | 4  | 3  | 2  | 1  | 0  |
| CRTV |    |    |    |    |    |    |    |

- **CRTV: Current Real-time Value**

Returns the current value of the Real-time Timer.

#### 14.4.4 Real-time Timer Status Register

**Register Name:** RTT\_SR

**Access Type:** Read-only

|    |    |    |    |    |    |        |      |
|----|----|----|----|----|----|--------|------|
| 31 | 30 | 29 | 28 | 27 | 26 | 25     | 24   |
| –  | –  | –  | –  | –  | –  | –      | –    |
| 23 | 22 | 21 | 20 | 19 | 18 | 17     | 16   |
| –  | –  | –  | –  | –  | –  | –      | –    |
| 15 | 14 | 13 | 12 | 11 | 10 | 9      | 8    |
| –  | –  | –  | –  | –  | –  | –      | –    |
| 7  | 6  | 5  | 4  | 3  | 2  | 1      | 0    |
| –  | –  | –  | –  | –  | –  | RTTINC | ALMS |

- **ALMS: Real-time Alarm Status**

0 = The Real-time Alarm has not occurred since the last read of RTT\_SR.

1 = The Real-time Alarm occurred since the last read of RTT\_SR.

- **RTTINC: Real-time Timer Increment**

0 = The Real-time Timer has not been incremented since the last read of the RTT\_SR.

1 = The Real-time Timer has been incremented since the last read of the RTT\_SR.



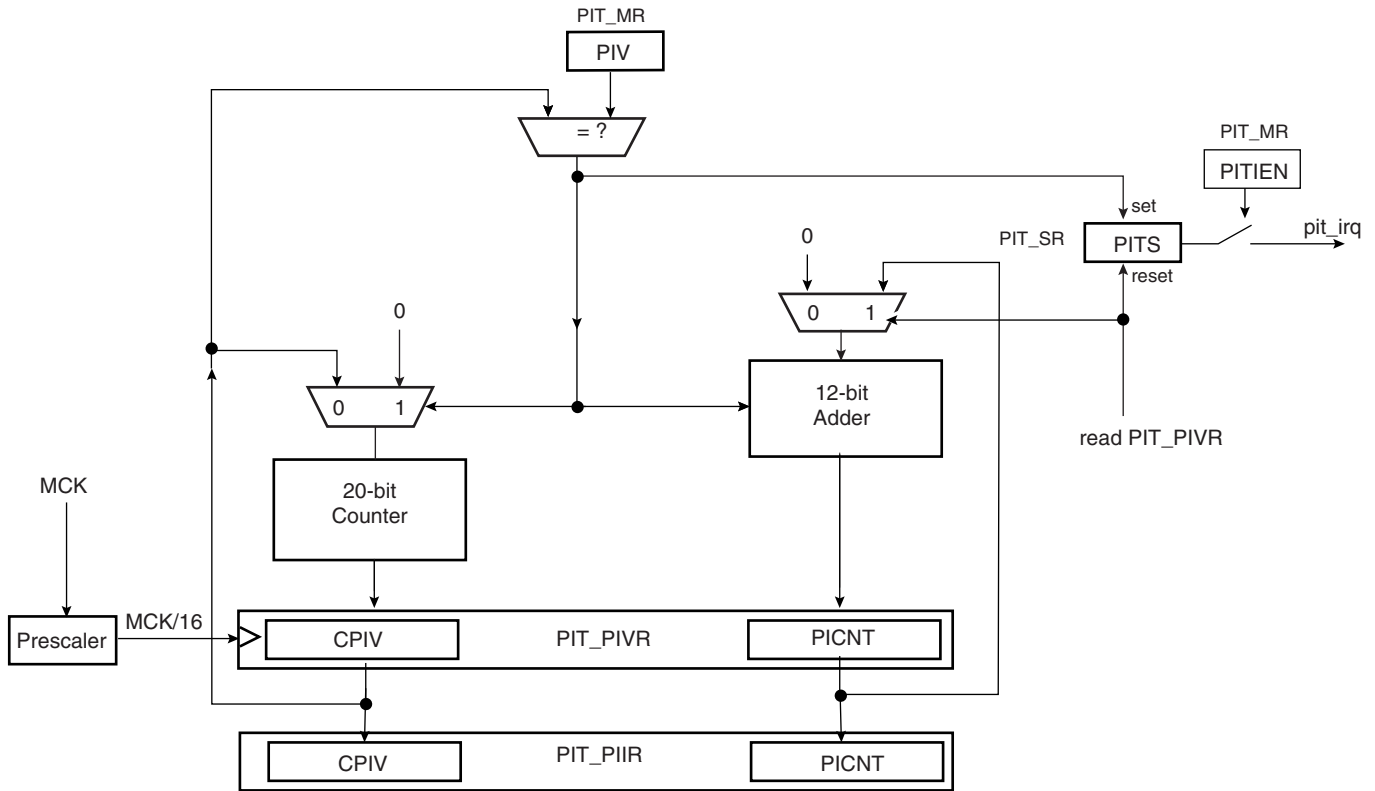
## 15. Periodic Interval Timer (PIT)

### 15.1 Overview

The Periodic Interval Timer (PIT) provides the operating system's scheduler interrupt. It is designed to offer maximum accuracy and efficient management, even for systems with long response time.

### 15.2 Block Diagram

Figure 15-1. Periodic Interval Timer



## 15.3 Functional Description

The Periodic Interval Timer aims at providing periodic interrupts for use by operating systems.

The PIT provides a programmable overflow counter and a reset-on-read feature. It is built around two counters: a 20-bit CPIV counter and a 12-bit PICNT counter. Both counters work at Master Clock /16.

The first 20-bit CPIV counter increments from 0 up to a programmable overflow value set in the field PIV of the Mode Register (PIT\_MR). When the counter CPIV reaches this value, it resets to 0 and increments the Periodic Interval Counter, PICNT. The status bit PITS in the Status Register (PIT\_SR) rises and triggers an interrupt, provided the interrupt is enabled (PITIEN in PIT\_MR).

Writing a new PIV value in PIT\_MR does not reset/restart the counters.

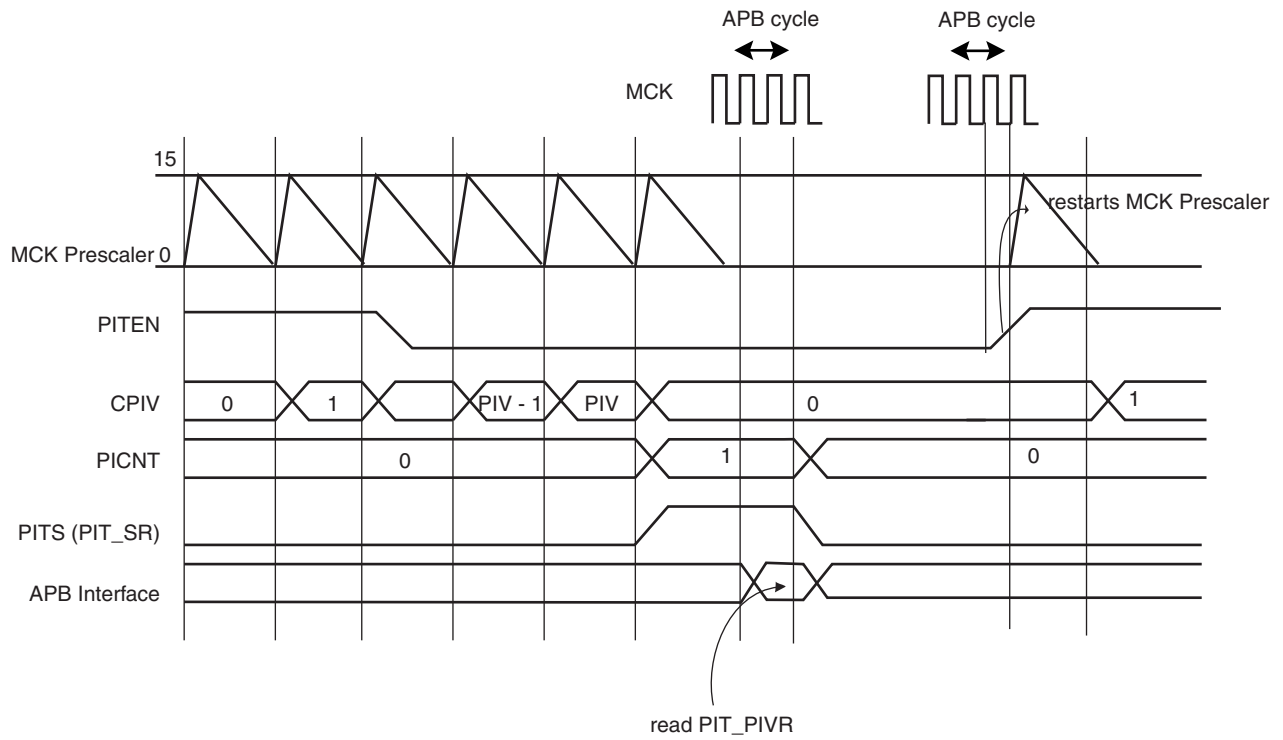
When CPIV and PICNT values are obtained by reading the Periodic Interval Value Register (PIT\_PIVR), the overflow counter (PICNT) is reset and the PITS is cleared, thus acknowledging the interrupt. The value of PICNT gives the number of periodic intervals elapsed since the last read of PIT\_PIVR.

When CPIV and PICNT values are obtained by reading the Periodic Interval Image Register (PIT\_PIIR), there is no effect on the counters CPIV and PICNT, nor on the bit PITS. For example, a profiler can read PIT\_PIIR without clearing any pending interrupt, whereas a timer interrupt clears the interrupt by reading PIT\_PIVR.

The PIT may be enabled/disabled using the PITEN bit in the PIT\_MR register (disabled on reset). The PITEN bit only becomes effective when the CPIV value is 0. [Figure 15-2](#) illustrates the PIT counting. After the PIT Enable bit is reset (PITEN= 0), the CPIV goes on counting until the PIV value is reached, and is then reset. PIT restarts counting, only if the PITEN is set again.

The PIT is stopped when the core enters debug state.

**Figure 15-2.** Enabling/Disabling PIT with PITEN



## 15.4 Periodic Interval Timer (PIT) User Interface

**Table 15-1.** Register Mapping

| Offset | Register                         | Name     | Access     | Reset       |
|--------|----------------------------------|----------|------------|-------------|
| 0x00   | Mode Register                    | PIT_MR   | Read-write | 0x000F_FFFF |
| 0x04   | Status Register                  | PIT_SR   | Read-only  | 0x0000_0000 |
| 0x08   | Periodic Interval Value Register | PIT_PIVR | Read-only  | 0x0000_0000 |
| 0x0C   | Periodic Interval Image Register | PIT_PIIR | Read-only  | 0x0000_0000 |

## 15.4.1 Periodic Interval Timer Mode Register

**Register Name:** PIT\_MR

**Access Type:** Read-write

|     |    |    |    |     |    |        |       |
|-----|----|----|----|-----|----|--------|-------|
| 31  | 30 | 29 | 28 | 27  | 26 | 25     | 24    |
| –   | –  | –  | –  | –   | –  | PITIEN | PITEN |
| 23  | 22 | 21 | 20 | 19  | 18 | 17     | 16    |
| –   | –  | –  | –  | PIV |    |        |       |
| 15  | 14 | 13 | 12 | 11  | 10 | 9      | 8     |
| PIV |    |    |    |     |    |        |       |
| 7   | 6  | 5  | 4  | 3   | 2  | 1      | 0     |
| PIV |    |    |    |     |    |        |       |

- **PIV: Periodic Interval Value**

Defines the value compared with the primary 20-bit counter of the Periodic Interval Timer (CPIV). The period is equal to (PIV + 1).

- **PITEN: Period Interval Timer Enabled**

0 = The Periodic Interval Timer is disabled when the PIV value is reached.

1 = The Periodic Interval Timer is enabled.

- **PITIEN: Periodic Interval Timer Interrupt Enable**

0 = The bit PITS in PIT\_SR has no effect on interrupt.

1 = The bit PITS in PIT\_SR asserts interrupt.

## 15.4.2 Periodic Interval Timer Status Register

**Register Name:** PIT\_SR

**Access Type:** Read-only

|    |    |    |    |    |    |    |      |
|----|----|----|----|----|----|----|------|
| 31 | 30 | 29 | 28 | 27 | 26 | 25 | 24   |
| –  | –  | –  | –  | –  | –  | –  | –    |
| 23 | 22 | 21 | 20 | 19 | 18 | 17 | 16   |
| –  | –  | –  | –  | –  | –  | –  | –    |
| 15 | 14 | 13 | 12 | 11 | 10 | 9  | 8    |
| –  | –  | –  | –  | –  | –  | –  | –    |
| 7  | 6  | 5  | 4  | 3  | 2  | 1  | 0    |
| –  | –  | –  | –  | –  | –  | –  | PITS |

- **PITS: Periodic Interval Timer Status**

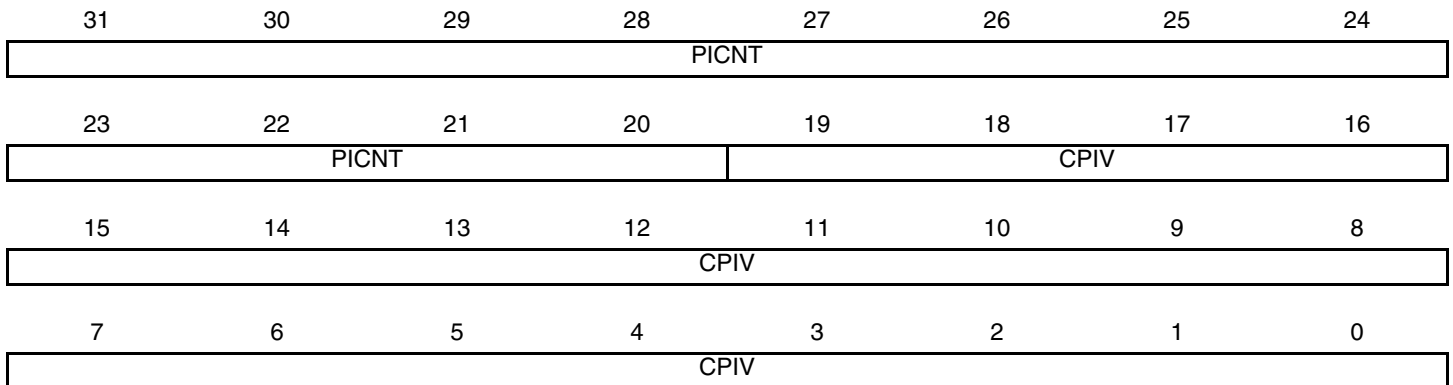
0 = The Periodic Interval timer has not reached PIV since the last read of PIT\_PIVR.

1 = The Periodic Interval timer has reached PIV since the last read of PIT\_PIVR.

### 15.4.3 Periodic Interval Timer Value Register

**Register Name:** PIT\_PIVR

**Access Type:** Read-only



Reading this register clears PITS in PIT\_SR.

- **CPIV: Current Periodic Interval Value**

Returns the current value of the periodic interval timer.

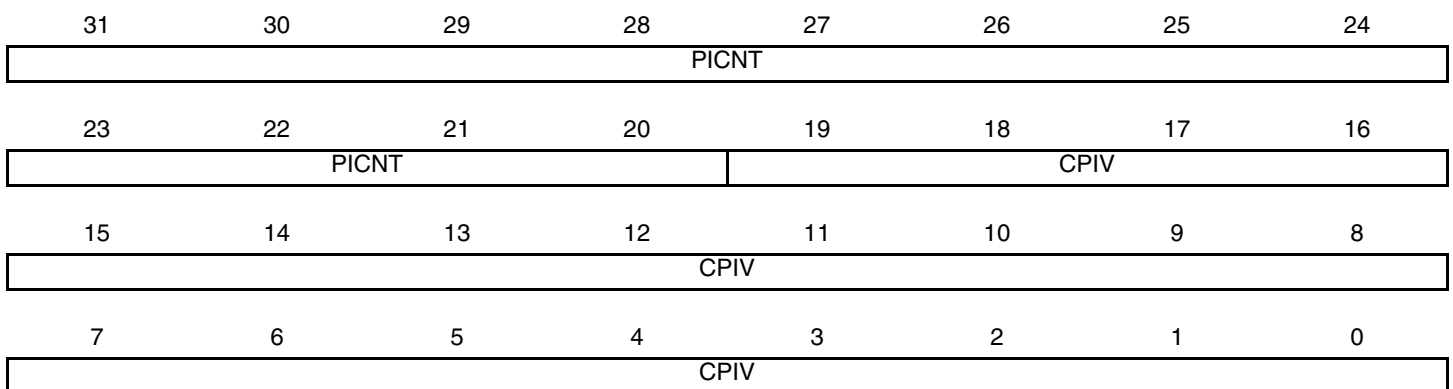
- **PICNT: Periodic Interval Counter**

Returns the number of occurrences of periodic intervals since the last read of PIT\_PIVR.

### 15.4.4 Periodic Interval Timer Image Register

**Register Name:** PIT\_PIIIR

**Access Type:** Read-only



- **CPIV: Current Periodic Interval Value**

Returns the current value of the periodic interval timer.

- **PICNT: Periodic Interval Counter**

Returns the number of occurrences of periodic intervals since the last read of PIT\_PIVR.

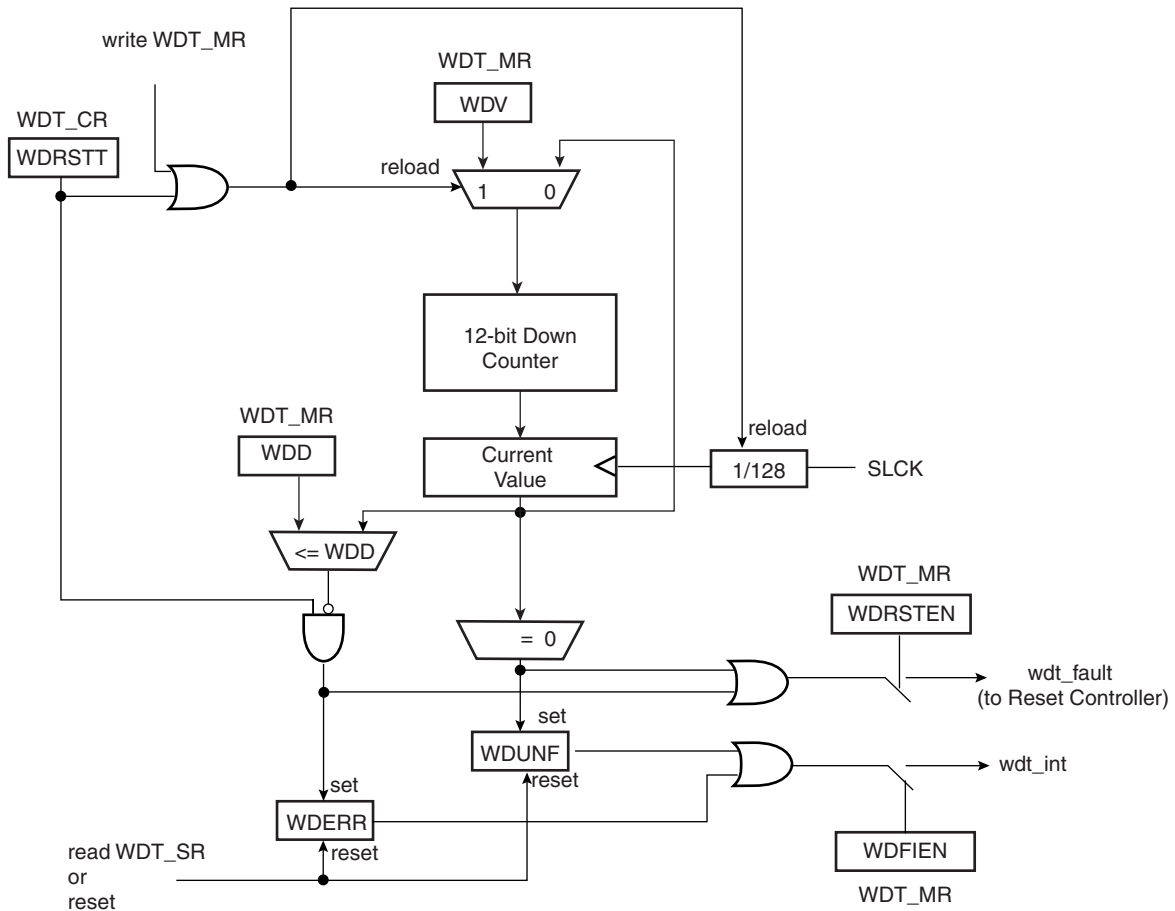
## 16. Watchdog Timer (WDT)

### 16.1 Overview

The Watchdog Timer can be used to prevent system lock-up if the software becomes trapped in a deadlock. It features a 12-bit down counter that allows a watchdog period of up to 16 seconds (slow clock at 32.768 kHz). It can generate a general reset or a processor reset only. In addition, it can be stopped while the processor is in debug mode or idle mode.

### 16.2 Block Diagram

Figure 16-1. Watchdog Timer Block Diagram



## 16.3 Functional Description

The Watchdog Timer can be used to prevent system lock-up if the software becomes trapped in a deadlock. It is supplied with VDDCORE. It restarts with initial values on processor reset.

The Watchdog is built around a 12-bit down counter, which is loaded with the value defined in the field WDV of the Mode Register (WDT\_MR). The Watchdog Timer uses the Slow Clock divided by 128 to establish the maximum Watchdog period to be 16 seconds (with a typical Slow Clock of 32.768 kHz).

After a Processor Reset, the value of WDV is 0xFFFF, corresponding to the maximum value of the counter with the external reset generation enabled (field WDRSTEN at 1 after a Backup Reset). This means that a default Watchdog is running at reset, i.e., at power-up. The user must either disable it (by setting the WDDIS bit in WDT\_MR) if he does not expect to use it or must reprogram it to meet the maximum Watchdog period the application requires.

The Watchdog Mode Register (WDT\_MR) can be written only once. Only a processor reset resets it. Writing the WDT\_MR register reloads the timer with the newly programmed mode parameters.

In normal operation, the user reloads the Watchdog at regular intervals before the timer underflow occurs, by writing the Control Register (WDT\_CR) with the bit WDRSTT to 1. The Watchdog counter is then immediately reloaded from WDT\_MR and restarted, and the Slow Clock 128 divider is reset and restarted. The WDT\_CR register is write-protected. As a result, writing WDT\_CR without the correct hard-coded key has no effect. If an underflow does occur, the “wdt\_fault” signal to the Reset Controller is asserted if the bit WDRSTEN is set in the Mode Register (WDT\_MR). Moreover, the bit WDUNF is set in the Watchdog Status Register (WDT\_SR).

To prevent a software deadlock that continuously triggers the Watchdog, the reload of the Watchdog must occur while the Watchdog counter is within a window between 0 and WDD, WDD is defined in the WatchDog Mode Register WDT\_MR.

Any attempt to restart the Watchdog while the Watchdog counter is between WDV and WDD results in a Watchdog error, even if the Watchdog is disabled. The bit WDERR is updated in the WDT\_SR and the “wdt\_fault” signal to the Reset Controller is asserted.

Note that this feature can be disabled by programming a WDD value greater than or equal to the WDV value. In such a configuration, restarting the Watchdog Timer is permitted in the whole range [0; WDV] and does not generate an error. This is the default configuration on reset (the WDD and WDV values are equal).

The status bits WDUNF (Watchdog Underflow) and WDERR (Watchdog Error) trigger an interrupt, provided the bit WDFIEN is set in the mode register. The signal “wdt\_fault” to the reset controller causes a Watchdog reset if the WDRSTEN bit is set as already explained in the reset controller programmer Datasheet. In that case, the processor and the Watchdog Timer are reset, and the WDERR and WDUNF flags are reset.

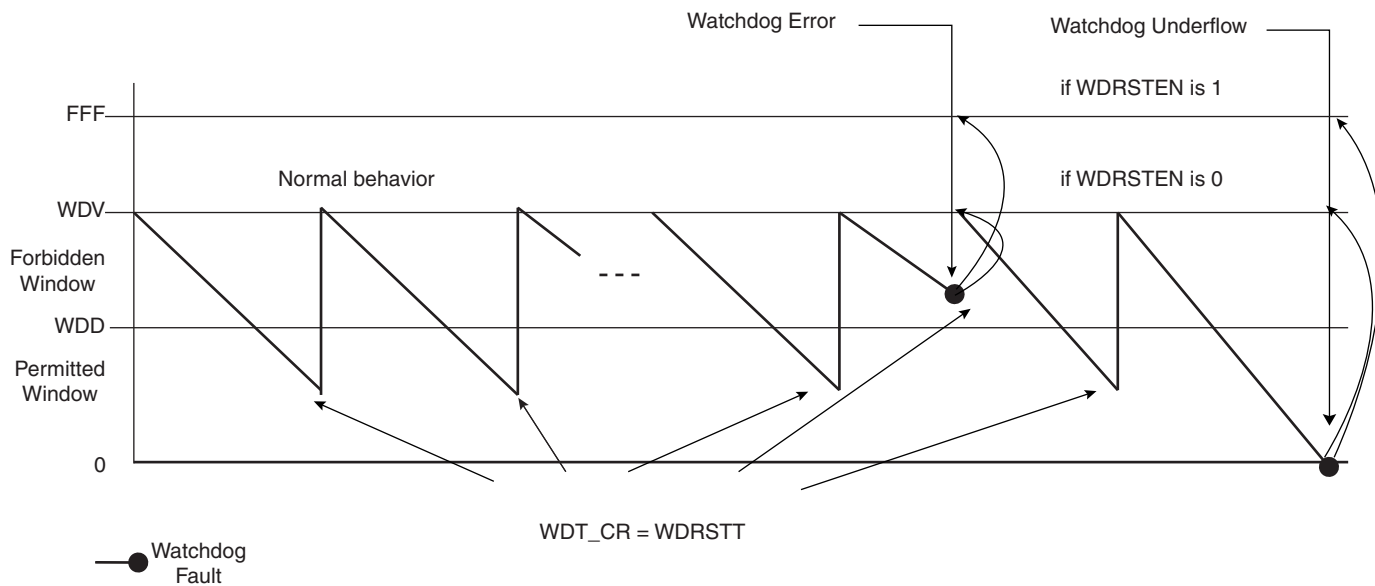
If a reset is generated or if WDT\_SR is read, the status bits are reset, the interrupt is cleared, and the “wdt\_fault” signal to the reset controller is deasserted.

Writing the WDT\_MR reloads and restarts the down counter.

While the processor is in debug state or in idle mode, the counter may be stopped depending on the value programmed for the bits WDIDLEHLT and WDDBGHLT in the WDT\_MR.



Figure 16-2. Watchdog Behavior



## 16.4 Watchdog Timer (WDT) User Interface

**Table 16-1.** Register Mapping

| Offset | Register         | Name   | Access          | Reset       |
|--------|------------------|--------|-----------------|-------------|
| 0x00   | Control Register | WDT_CR | Write-only      | -           |
| 0x04   | Mode Register    | WDT_MR | Read-write Once | 0x3FFF_2FFF |
| 0x08   | Status Register  | WDT_SR | Read-only       | 0x0000_0000 |

### 16.4.1 Watchdog Timer Control Register

**Register Name:** WDT\_CR

**Access Type:** Write-only

|     |    |    |    |    |    |    |        |
|-----|----|----|----|----|----|----|--------|
| 31  | 30 | 29 | 28 | 27 | 26 | 25 | 24     |
| KEY |    |    |    |    |    |    |        |
| 23  | 22 | 21 | 20 | 19 | 18 | 17 | 16     |
| -   | -  | -  | -  | -  | -  | -  | -      |
| 15  | 14 | 13 | 12 | 11 | 10 | 9  | 8      |
| -   | -  | -  | -  | -  | -  | -  | -      |
| 7   | 6  | 5  | 4  | 3  | 2  | 1  | 0      |
| -   | -  | -  | -  | -  | -  | -  | WDRSTT |

- **WDRSTT: Watchdog Restart**

0: No effect.

1: Restarts the Watchdog.

- **KEY: Password**

Should be written at value 0xA5. Writing any other value in this field aborts the write operation.

## 16.4.2 Watchdog Timer Mode Register

**Register Name:** WDT\_MR

**Access Type:** Read-write Once

|       |         |           |          |     |    |    |    |
|-------|---------|-----------|----------|-----|----|----|----|
| 31    | 30      | 29        | 28       | 27  | 26 | 25 | 24 |
| –     | –       | WDIDLEHLT | WDDBGHLT | WDD |    |    |    |
| 23    | 22      | 21        | 20       | 19  | 18 | 17 | 16 |
| WDD   |         |           |          |     |    |    |    |
| 15    | 14      | 13        | 12       | 11  | 10 | 9  | 8  |
| WDDIS | WDRPROC | WDRSTEN   | WDFIEN   | WDV |    |    |    |
| 7     | 6       | 5         | 4        | 3   | 2  | 1  | 0  |
| WDV   |         |           |          |     |    |    |    |

- **WDV: Watchdog Counter Value**

Defines the value loaded in the 12-bit Watchdog Counter.

- **WDFIEN: Watchdog Fault Interrupt Enable**

0: A Watchdog fault (underflow or error) has no effect on interrupt.

1: A Watchdog fault (underflow or error) asserts interrupt.

- **WDRSTEN: Watchdog Reset Enable**

0: A Watchdog fault (underflow or error) has no effect on the resets.

1: A Watchdog fault (underflow or error) triggers a Watchdog reset.

- **WDRPROC: Watchdog Reset Processor**

0: If WDRSTEN is 1, a Watchdog fault (underflow or error) activates all resets.

1: If WDRSTEN is 1, a Watchdog fault (underflow or error) activates the processor reset.

- **WDD: Watchdog Delta Value**

Defines the permitted range for reloading the Watchdog Timer.

If the Watchdog Timer value is less than or equal to WDD, writing WDT\_CR with WDRSTT = 1 restarts the timer.

If the Watchdog Timer value is greater than WDD, writing WDT\_CR with WDRSTT = 1 causes a Watchdog error.

- **WDDBGHLT: Watchdog Debug Halt**

0: The Watchdog runs when the processor is in debug state.

1: The Watchdog stops when the processor is in debug state.

- **WDIDLEHLT: Watchdog Idle Halt**

0: The Watchdog runs when the system is in idle mode.

1: The Watchdog stops when the system is in idle state.

- **WDDIS: Watchdog Disable**

0: Enables the Watchdog Timer.

1: Disables the Watchdog Timer.

### 16.4.3 Watchdog Timer Status Register

**Register Name:** WDT\_SR

**Access Type:** Read-only

|    |    |    |    |    |    |       |       |
|----|----|----|----|----|----|-------|-------|
| 31 | 30 | 29 | 28 | 27 | 26 | 25    | 24    |
| –  | –  | –  | –  | –  | –  | –     | –     |
| 23 | 22 | 21 | 20 | 19 | 18 | 17    | 16    |
| –  | –  | –  | –  | –  | –  | –     | –     |
| 15 | 14 | 13 | 12 | 11 | 10 | 9     | 8     |
| –  | –  | –  | –  | –  | –  | –     | –     |
| 7  | 6  | 5  | 4  | 3  | 2  | 1     | 0     |
| –  | –  | –  | –  | –  | –  | WDERR | WDUNF |

- **WDUNF: Watchdog Underflow**

0: No Watchdog underflow occurred since the last read of WDT\_SR.

1: At least one Watchdog underflow occurred since the last read of WDT\_SR.

- **WDERR: Watchdog Error**

0: No Watchdog error occurred since the last read of WDT\_SR.

1: At least one Watchdog error occurred since the last read of WDT\_SR.

## 17. Voltage Regulator Mode Controller (VREG)

### 17.1 Overview

The Voltage Regulator Mode Controller contains one Read/Write register, the Voltage Regulator Mode Register. Its offset is 0x60 with respect to the System Controller offset.

This register controls the Voltage Regulator Mode. Setting PSTDBY (bit 0) puts the Voltage Regulator in Standby Mode or Low-power Mode. On reset, the PSTDBY is reset, so as to wake up the Voltage Regulator in Normal Mode.

## 17.2 Voltage Regulator Power Controller (VREG) User Interface

Table 17-1. Register Mapping

| Offset | Register                        | Name    | Access     | Reset |
|--------|---------------------------------|---------|------------|-------|
| 0x60   | Voltage Regulator Mode Register | VREG_MR | Read-write | 0x0   |

### 17.2.1 Voltage Regulator Mode Register

Register Name: VREG\_MR

Access Type: Read-write

|    |    |    |    |    |    |    |        |
|----|----|----|----|----|----|----|--------|
| 31 | 30 | 29 | 28 | 27 | 26 | 25 | 24     |
| –  | –  | –  | –  | –  | –  | –  | –      |
| 23 | 22 | 21 | 20 | 19 | 18 | 17 | 16     |
| –  | –  | –  | –  | –  | –  | –  | –      |
| 15 | 14 | 13 | 12 | 11 | 10 | 9  | 8      |
| –  | –  | –  | –  | –  | –  | –  | –      |
| 7  | 6  | 5  | 4  | 3  | 2  | 1  | 0      |
| –  | –  | –  | –  | –  | –  | –  | PSTDBY |

- **PSTDBY: Periodic Interval Value**

0 = Voltage regulator in normal mode.

1 = Voltage regulator in standby mode (low-power mode).

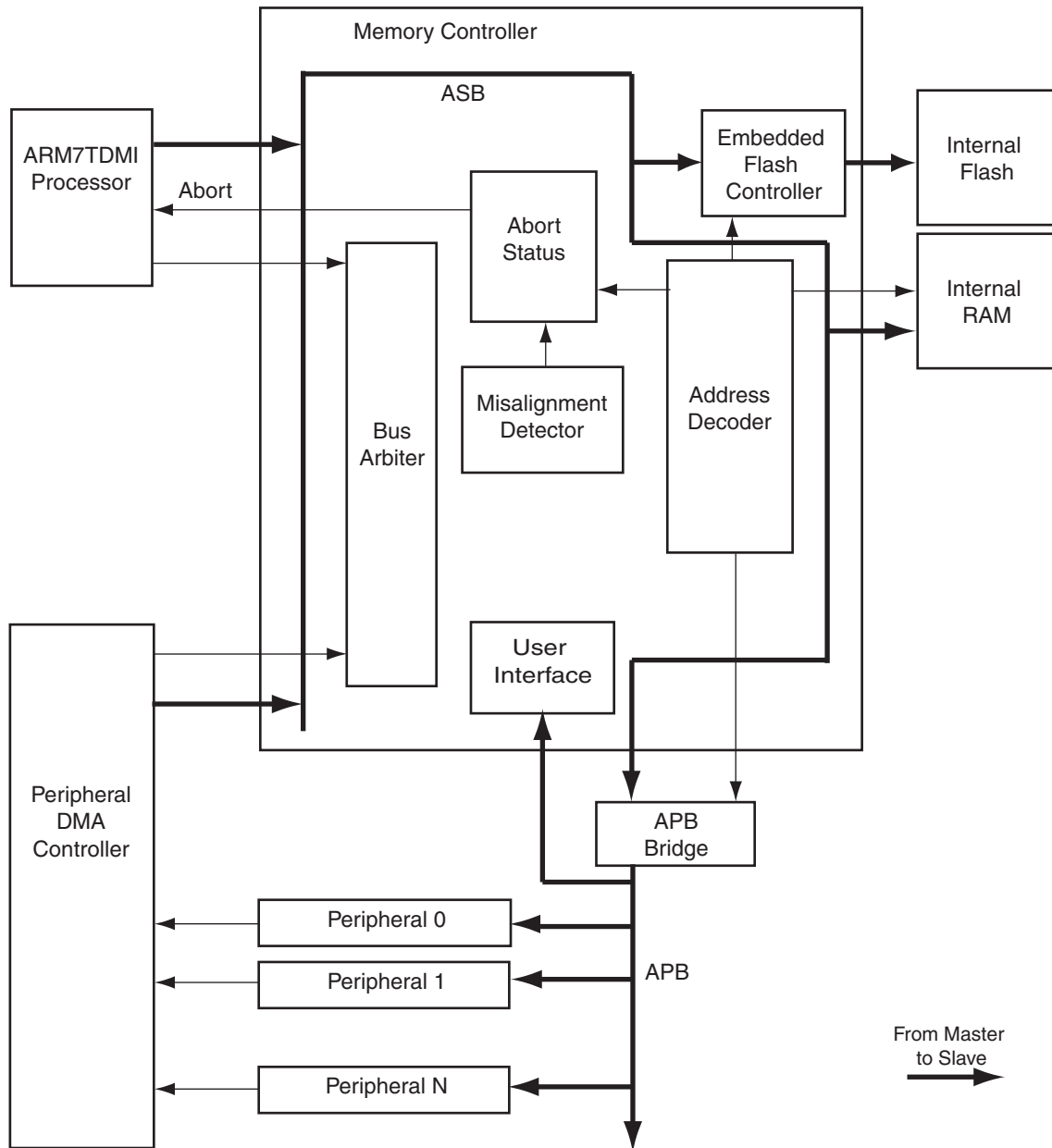
## 18. Memory Controller (MC)

### 18.1 Overview

The Memory Controller (MC) manages the ASB bus and controls accesses requested by the masters, typically the ARM7TDMI processor and the Peripheral DMA Controller. It features a simple bus arbiter, an address decoder, an abort status, a misalignment detector and an Embedded Flash Controller.

### 18.2 Block Diagram

Figure 18-1. Memory Controller Block Diagram



### 18.3 Functional Description

The Memory Controller handles the internal ASB bus and arbitrates the accesses of both masters.

It is made up of:

- A bus arbiter
- An address decoder
- An abort status
- A misalignment detector
- An Embedded Flash Controller

The MC handles only little-endian mode accesses. The masters work in little-endian mode only.

#### 18.3.1 Bus Arbiter

The Memory Controller has a simple, hard-wired priority bus arbiter that gives the control of the bus to one of the two masters. The Peripheral DMA Controller has the highest priority; the ARM processor has the lowest one.

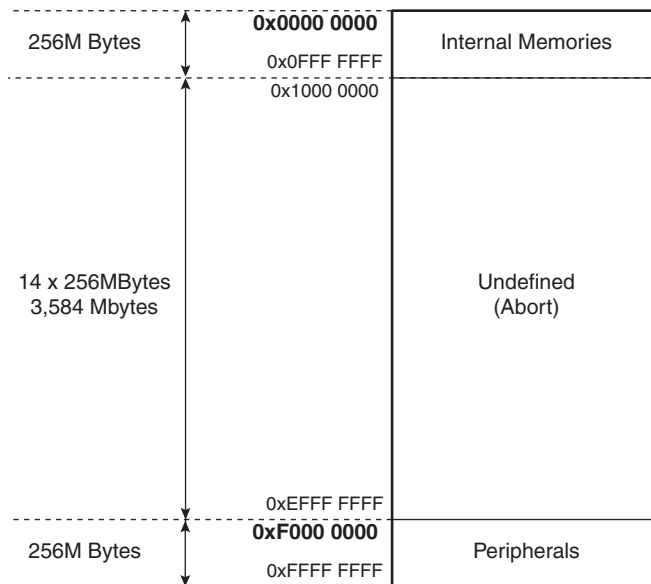
#### 18.3.2 Address Decoder

The Memory Controller features an Address Decoder that first decodes the four highest bits of the 32-bit address bus and defines three separate areas:

- One 256-Mbyte address space for the internal memories
- One 256-Mbyte address space reserved for the embedded peripherals
- An undefined address space of 3584M bytes representing fourteen 256-Mbyte areas that return an Abort if accessed

Figure 18-2 shows the assignment of the 256-Mbyte memory areas.

**Figure 18-2.** Memory Areas





## 18.3.2.1 Internal Memory Mapping

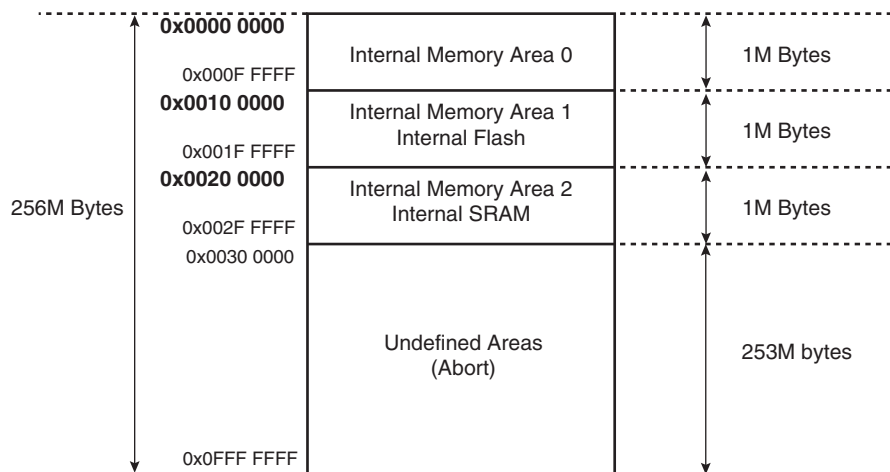
Within the Internal Memory address space, the Address Decoder of the Memory Controller decodes eight more address bits to allocate 1-Mbyte address spaces for the embedded memories.

The allocated memories are accessed all along the 1-Mbyte address space and so are repeated  $n$  times within this address space,  $n$  equaling 1M bytes divided by the size of the memory.

When the address of the access is undefined within the internal memory area, the Address Decoder returns an Abort to the master.

If an access is done in the address area 0x0030 000 to 0x003F FFFF, no abort is generated.

**Figure 18-3.** Internal Memory Mapping



## 18.3.2.2 Internal Memory Area 0

The first 32 bytes of Internal Memory Area 0 contain the ARM processor exception vectors, in particular, the Reset Vector at address 0x0.

Before execution of the remap command, the on-chip Flash is mapped into Internal Memory Area 0, so that the ARM7TDMI reaches an executable instruction contained in Flash. After the remap command, the internal SRAM at address 0x0020 0000 is mapped into Internal Memory Area 0. The memory mapped into Internal Memory Area 0 is accessible in both its original location and at address 0x0.

## 18.3.3 Remap Command

After execution, the Remap Command causes the Internal SRAM to be accessed through the Internal Memory Area 0.

As the ARM vectors (Reset, Abort, Data Abort, Prefetch Abort, Undefined Instruction, Interrupt, and Fast Interrupt) are mapped from address 0x0 to address 0x20, the Remap Command allows the user to redefine dynamically these vectors under software control.

The Remap Command is accessible through the Memory Controller User Interface by writing the MC\_RCR (Remap Control Register) RCB field to one.

The Remap Command can be cancelled by writing the MC\_RCR RCB field to one, which acts as a toggling command. This allows easy debug of the user-defined boot sequence by offering a simple way to put the chip in the same configuration as after a reset.

### 18.3.4 Abort Status

There are three reasons for an abort to occur:

- access to an undefined address
- an access to a misaligned address.

When an abort occurs, a signal is sent back to all the masters, regardless of which one has generated the access. However, only the ARM7TDMI can take an abort signal into account, and only under the condition that it was generating an access. The Peripheral DMA Controller does not handle the abort input signal. Note that the connection is not represented in [Figure 18-1](#).

To facilitate debug or for fault analysis by an operating system, the Memory Controller integrates an Abort Status register set.

The full 32-bit wide abort address is saved in MC\_AASR. Parameters of the access are saved in MC\_ASR and include:

- the size of the request (field ABTSZ)
- the type of the access, whether it is a data read or write, or a code fetch (field ABTTYP)
- whether the access is due to accessing an undefined address (bit UNDADD) or a misaligned address (bit MISADD)
- the source of the access leading to the last abort (bits MST0 and MST1)
- whether or not an abort occurred for each master since the last read of the register (bit SVMST0 and SVMST1) unless this information is loaded in MST bits

In the case of a Data Abort from the processor, the address of the data access is stored. This is useful, as searching for which address generated the abort would require disassembling the instructions and full knowledge of the processor context.

In the case of a Prefetch Abort, the address may have changed, as the prefetch abort is pipelined in the ARM processor. The ARM processor takes the prefetch abort into account only if the read instruction is executed and it is probable that several aborts have occurred during this time. Thus, in this case, it is preferable to use the content of the Abort Link register of the ARM processor.

### 18.3.5 Embedded Flash Controller

The Embedded Flash Controller is added to the Memory Controller and ensures the interface of the Flash block with the 32-bit internal bus. It increases performance in Thumb Mode for Code Fetch with its system of 32-bit buffers. It also manages with the programming, erasing, locking and unlocking sequences thanks to a full set of commands.

### 18.3.6 Misalignment Detector

The Memory Controller features a Misalignment Detector that checks the consistency of the accesses.

For each access, regardless of the master, the size of the access and the bits 0 and 1 of the address bus are checked. If the type of access is a word (32-bit) and the bits 0 and 1 are not 0, or if the type of the access is a half-word (16-bit) and the bit 0 is not 0, an abort is returned to the master and the access is cancelled. Note that the accesses of the ARM processor when it is fetching instructions are not checked.

The misalignments are generally due to software bugs leading to wrong pointer handling. These bugs are particularly difficult to detect in the debug phase.

As the requested address is saved in the Abort Status Register and the address of the instruction generating the misalignment is saved in the Abort Link Register of the processor, detection and fix of this kind of software bug is simplified.

## 18.4 Memory Controller (MC) User Interface

**Base Address:** 0xFFFFF00

**Table 18-1.** Register Mapping

| Offset    | Register                                    | Name   | Access     | Reset |
|-----------|---|--|------------|-------|
| 0x00      | MC Remap Control Register                   | MC_RCR   | Write-only |       |
| 0x04      | MC Abort Status Register                    | MC_ASR   | Read-only  | 0x0   |
| 0x08      | MC Abort Address Status Register            | MC_AASR  | Read-only  | 0x0   |
| 0x0C-0x5C | Reserved                                    | –  | –          | –     |
| 0x60      | EFC0 Configuration Registers                | See <a href="#">Section 19. “Embedded Flash Controller (EFC)”</a> on page 103. |            |       |
| 0x70      | EFC1 Configuration Registers <sup>(1)</sup> |  |            |       |

Note: 1. AT91SAM7S512 only.



### 18.4.1 MC Remap Control Register

Register Name: MC\_RCR

Access Type: Write-only

Offset: 0x00

|    |    |    |    |    |    |    |     |
|----|----|----|----|----|----|----|-----|
| 31 | 30 | 29 | 28 | 27 | 26 | 25 | 24  |
| –  | –  | –  | –  | –  | –  | –  | –   |
| 23 | 22 | 21 | 20 | 19 | 18 | 17 | 16  |
| –  | –  | –  | –  | –  | –  | –  | –   |
| 15 | 14 | 13 | 12 | 11 | 10 | 9  | 8   |
| –  | –  | –  | –  | –  | –  | –  | –   |
| 7  | 6  | 5  | 4  | 3  | 2  | 1  | 0   |
| –  | –  | –  | –  | –  | –  | –  | RCB |

- **RCB: Remap Command Bit**

0: No effect.

1: This Command Bit acts on a toggle basis: writing a 1 alternatively cancels and restores the remapping of the page zero memory devices.



## 18.4.2 MC Abort Status Register

**Register Name:** MC\_ASR

**Access Type:** Read-only

**Reset Value:** 0x0

**Offset:** 0x04

|    |    |    |    |        |    |        |        |
|----|----|----|----|--------|----|--------|--------|
| 31 | 30 | 29 | 28 | 27     | 26 | 25     | 24     |
| –  | –  | –  | –  | –      | –  | SVMST1 | SVMST0 |
| 23 | 22 | 21 | 20 | 19     | 18 | 17     | 16     |
| –  | –  | –  | –  | –      | –  | MST1   | MST0   |
| 15 | 14 | 13 | 12 | 11     | 10 | 9      | 8      |
| –  | –  | –  | –  | ABTTYP |    | ABTSZ  |        |
| 7  | 6  | 5  | 4  | 3      | 2  | 1      | 0      |
| –  | –  | –  | –  | –      | –  | MISADD | UNDADD |

- **UNDADD: Undefined Address Abort Status**

0: The last abort was not due to the access of an undefined address in the address space.

1: The last abort was due to the access of an undefined address in the address space.

- **MISADD: Misaligned Address Abort Status**

0: The last aborted access was not due to an address misalignment.

1: The last aborted access was due to an address misalignment.

- **ABTSZ: Abort Size Status.**

| ABTSZ |   | Abort Size |
|-------|---|------------|
| 0     | 0 | Byte       |
| 0     | 1 | Half-word  |
| 1     | 0 | Word       |
| 1     | 1 | Reserved   |

- **ABTTYP: Abort Type Status.**

| ABTTYP |   | Abort Type |
|--------|---|------------|
| 0      | 0 | Data Read  |
| 0      | 1 | Data Write |
| 1      | 0 | Code Fetch |
| 1      | 1 | Reserved   |

- **MST0: PDC Abort Source**

0: The last aborted access was not due to the PDC.

1: The last aborted access was due to the PDC.

- **MST1: ARM7TDMI Abort Source**

- 0: The last aborted access was not due to the ARM7TDMI.
- 1: The last aborted access was due to the ARM7TDMI.

- **SVMST0: Saved PDC Abort Source**

- 0: No abort due to the PDC occurred.
- 1: At least one abort due to the PDC occurred.

- **SVMST1: Saved ARM7TDMI Abort Source**

- 0: No abort due to the ARM7TDMI occurred.
- 1: At least one abort due to the ARM7TDMI occurred.

### 18.4.3 MC Abort Address Status Register

**Register Name:** MC\_AASR

**Access Type:** Read-only

**Reset Value:** 0x0

**Offset:** 0x08

|        |    |    |    |    |    |    |    |
|--------|----|----|----|----|----|----|----|
| 31     | 30 | 29 | 28 | 27 | 26 | 25 | 24 |
| ABTADD |    |    |    |    |    |    |    |
| 23     | 22 | 21 | 20 | 19 | 18 | 17 | 16 |
| ABTADD |    |    |    |    |    |    |    |
| 15     | 14 | 13 | 12 | 11 | 10 | 9  | 8  |
| ABTADD |    |    |    |    |    |    |    |
| 7      | 6  | 5  | 4  | 3  | 2  | 1  | 0  |
| ABTADD |    |    |    |    |    |    |    |

- **ABTADD: Abort Address**

This field contains the address of the last aborted access.

## 19. Embedded Flash Controller (EFC)

### 19.1 Overview

The Embedded Flash Controller (EFC) is a part of the Memory Controller and ensures the interface of the Flash block with the 32-bit internal bus. It increases performance in Thumb Mode for Code Fetch with its system of 32-bit buffers. It also manages the programming, erasing, locking and unlocking sequences using a full set of commands.

The AT91SAM7S512 is equipped with two EFCs, EFC0 and EFC1. EFC1 does not feature the Security bit and GPNVM bit. The Security and GPNVM bits embedded only on EFC0 apply to the two blocks in the AT91SAM7S512.

### 19.2 Functional Description

#### 19.2.1 Embedded Flash Organization

The Embedded Flash interfaces directly to the 32-bit internal bus. It is composed of several interfaces:

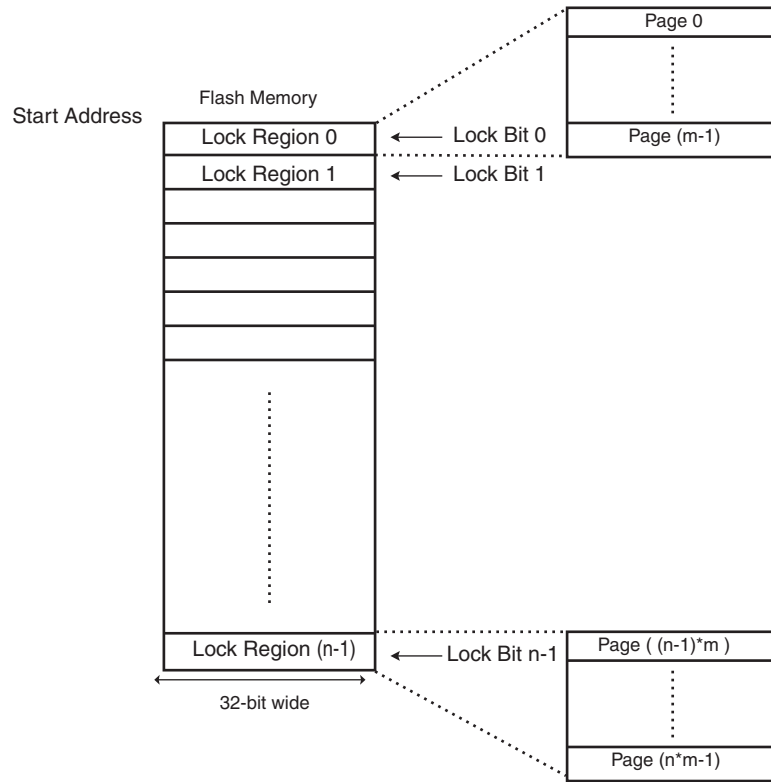
- One memory plane organized in several pages of the same size
- Two 32-bit read buffers used for code read optimization (see [“Read Operations” on page 105](#)).
- One write buffer that manages page programming. The write buffer size is equal to the page size. This buffer is write-only and accessible all along the 1 MByte address space, so that each word can be written to its final address (see [“Write Operations” on page 107](#)).
- Several lock bits used to protect write and erase operations on lock regions. A lock region is composed of several consecutive pages, and each lock region has its associated lock bit.
- Several general-purpose NVM bits. Each bit controls a specific feature in the device. Refer to the product definition section to get the GPNVM assignment.

The Embedded Flash size, the page size and the lock region organization are described in the product definition section.

**Table 19-1.** Product Specific Lock and General-purpose NVM Bits

| AT91SAM7S<br>512 | AT91SAM7S<br>256 | AT91SAM7S<br>128 | AT91SAM7S<br>64 | AT91SAM7S<br>321 | AT91SAM7S<br>32 | AT91SAM7S<br>161 | AT91SAM7S<br>16 | Denomination         |
|------------------|------------------|------------------|-----------------|------------------|-----------------|------------------|-----------------|----------------------|
| 2                | 2                | 2                | 2               | 2                | 2               | 2                | 2               | Number of GPNVM bits |
| 32               | 16               | 8                | 16              | 8                | 8               | 8                | 8               | Number of Lock Bits  |

**Figure 19-1.** Embedded Flash Memory Mapping





## 19.2.2 Read Operations

An optimized controller manages embedded Flash reads. A system of 2 x 32-bit buffers is added in order to start access at following address during the second read, thus increasing performance when the processor is running in Thumb mode (16-bit instruction set). See [Figure 19-2](#), [Figure 19-3](#) and [Figure 19-4](#).

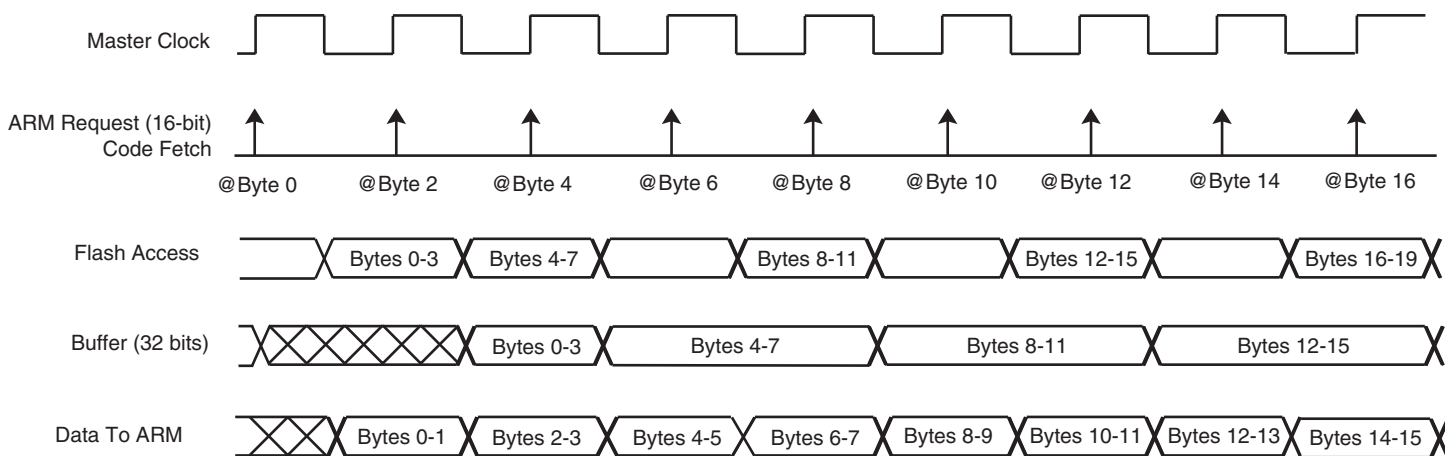
This optimization concerns only Code Fetch and not Data.

The read operations can be performed with or without wait state. Up to 3 wait states can be programmed in the field FWS (Flash Wait State) in the Flash Mode Register MC\_FMR (see “[MC Flash Mode Register](#)” on page 114). Defining FWS to be 0 enables the single-cycle access of the embedded Flash.

The Flash memory is accessible through 8-, 16- and 32-bit reads.

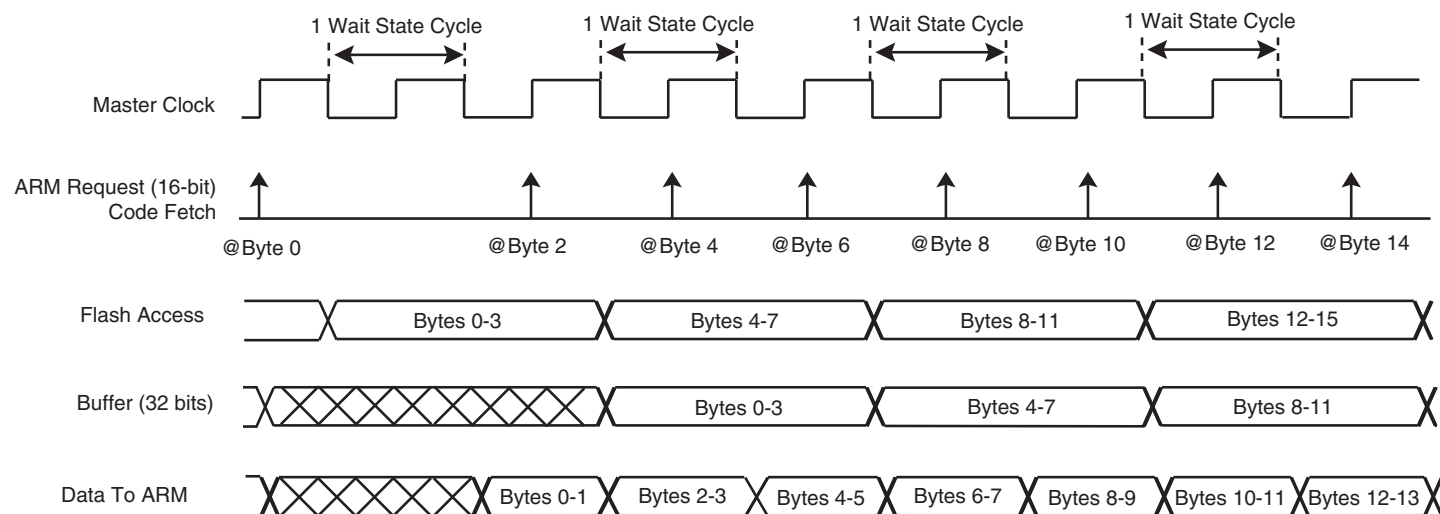
As the Flash block size is smaller than the address space reserved for the internal memory area, the embedded Flash wraps around the address space and appears to be repeated within it.

**Figure 19-2.** Code Read Optimization in Thumb Mode for FWS = 0



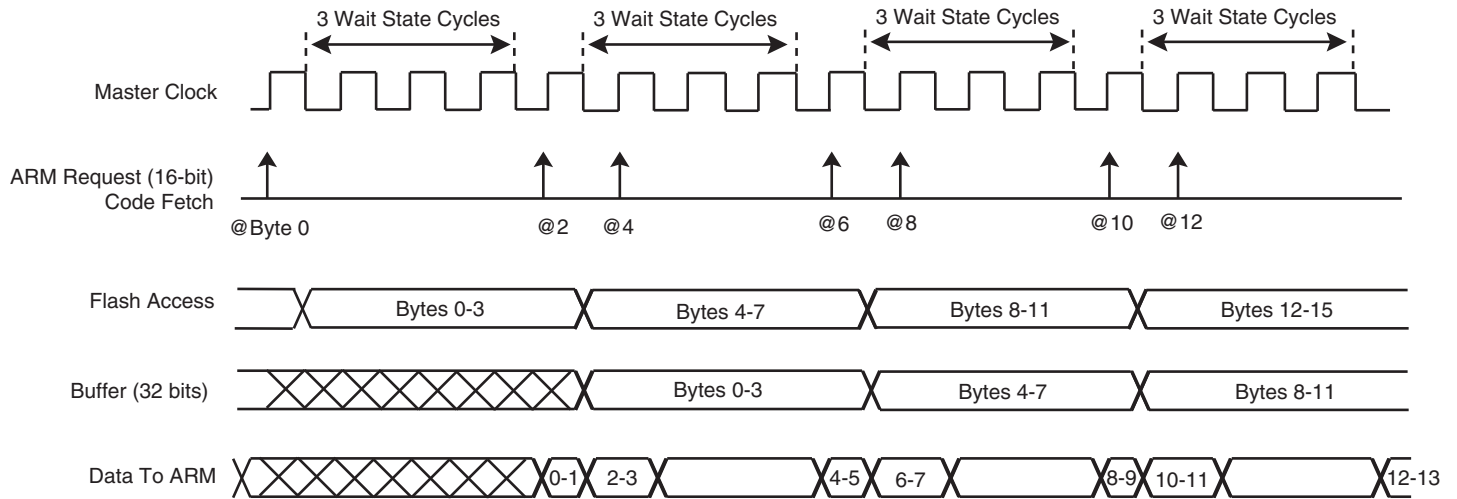
Note: When FWS is equal to 0, all accesses are performed in a single-cycle access.

**Figure 19-3.** Code Read Optimization in Thumb Mode for FWS = 1



Note: When FWS is equal to 1, in case of sequential reads, all the accesses are performed in a single-cycle access (except for the first one).

**Figure 19-4.** Code Read Optimization in Thumb Mode for FWS = 3



Note: When FWS is equal to 2 or 3, in case of sequential reads, the first access takes FWS cycles, the second access one cycle, the third access FWS cycles, the fourth access one cycle, etc.

## 19.2.3 Write Operations

The internal memory area reserved for the embedded Flash can also be written through a write-only latch buffer. Write operations take into account only the 8 lowest address bits and thus wrap around within the internal memory area address space and appear to be repeated 1024 times within it.

Write operations can be prevented by programming the Memory Protection Unit of the product.

Writing 8-bit and 16-bit data is not allowed and may lead to unpredictable data corruption.

Write operations are performed in the number of wait states equal to the number of wait states for read operations + 1, except for FWS = 3 (see “MC Flash Mode Register” on page 114).

## 19.2.4 Flash Commands

The EFC offers a command set to manage programming the memory flash, locking and unlocking lock sectors, consecutive programming and locking, and full Flash erasing.

**Table 19-2.** Set of Commands

| Command                       | Value | Mnemonic |
|-------------------------------|-------|----------|
| Write page                    | 0x01  | WP       |
| Set Lock Bit                  | 0x02  | SLB      |
| Write Page and Lock           | 0x03  | WPL      |
| Clear Lock Bit                | 0x04  | CLB      |
| Erase all                     | 0x08  | EA       |
| Set General-purpose NVM Bit   | 0x0B  | SGPB     |
| Clear General-purpose NVM Bit | 0x0D  | CGPB     |
| Set Security Bit              | 0x0F  | SSB      |

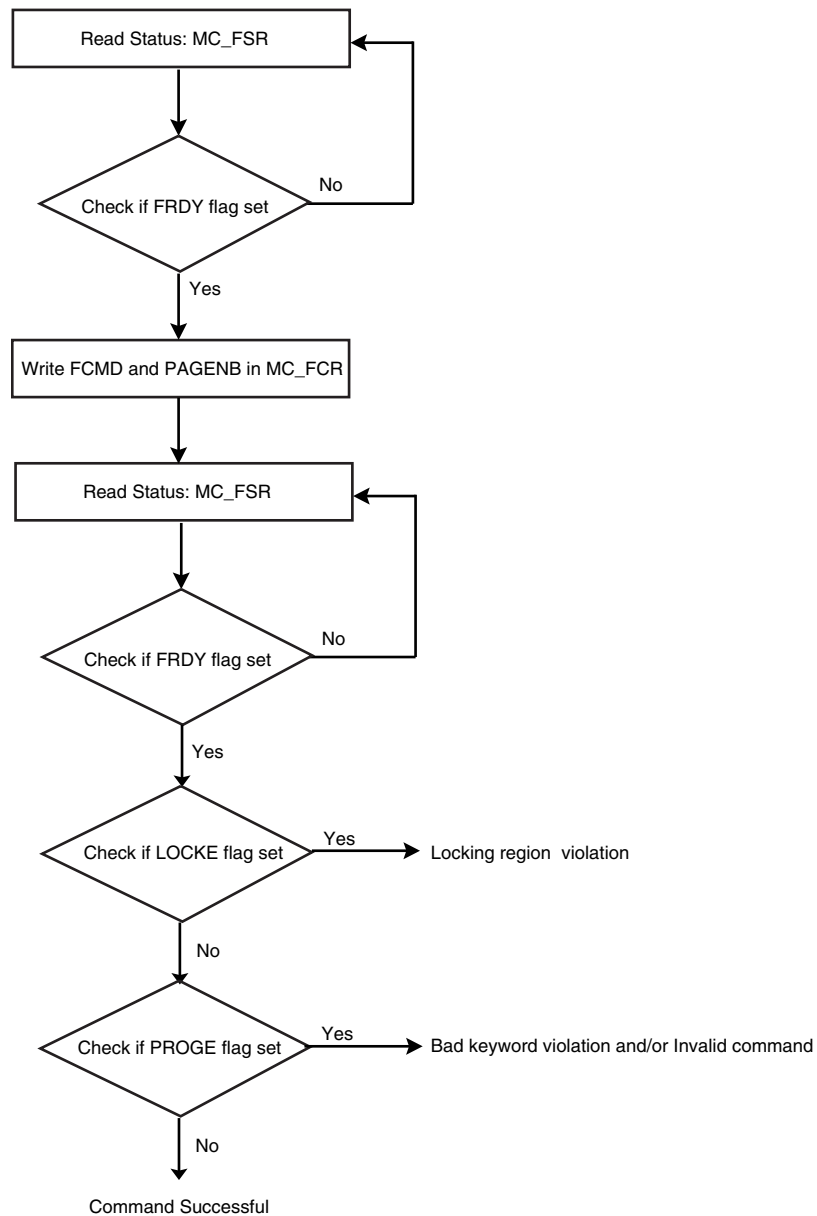
To run one of these commands, the field FCMD of the MC\_FCR register has to be written with the command number. As soon as the MC\_FCR register is written, the FRDY flag is automatically cleared. Once the current command is achieved, then the FRDY flag is automatically set. If an interrupt has been enabled by setting the bit FRDY in MC\_FMR, the interrupt line of the Memory Controller is activated.

All the commands are protected by the same keyword, which has to be written in the eight highest bits of the MC\_FCR register.

Writing MC\_FCR with data that does not contain the correct key and/or with an invalid command has no effect on the memory plane; however, the PROGE flag is set in the MC\_FSR register. This flag is automatically cleared by a read access to the MC\_FSR register.

When the current command writes or erases a page in a locked region, the command has no effect on the whole memory plane; however, the LOCKE flag is set in the MC\_FSR register. This flag is automatically cleared by a read access to the MC\_FSR register.

**Figure 19-5. Command State Chart**



In order to guarantee valid operations on the Flash memory, the field Flash Microsecond Cycle Number (FMCN) in the Flash Mode Register MC\_FMR must be correctly programmed (see “[MC Flash Mode Register](#)” on page 114).

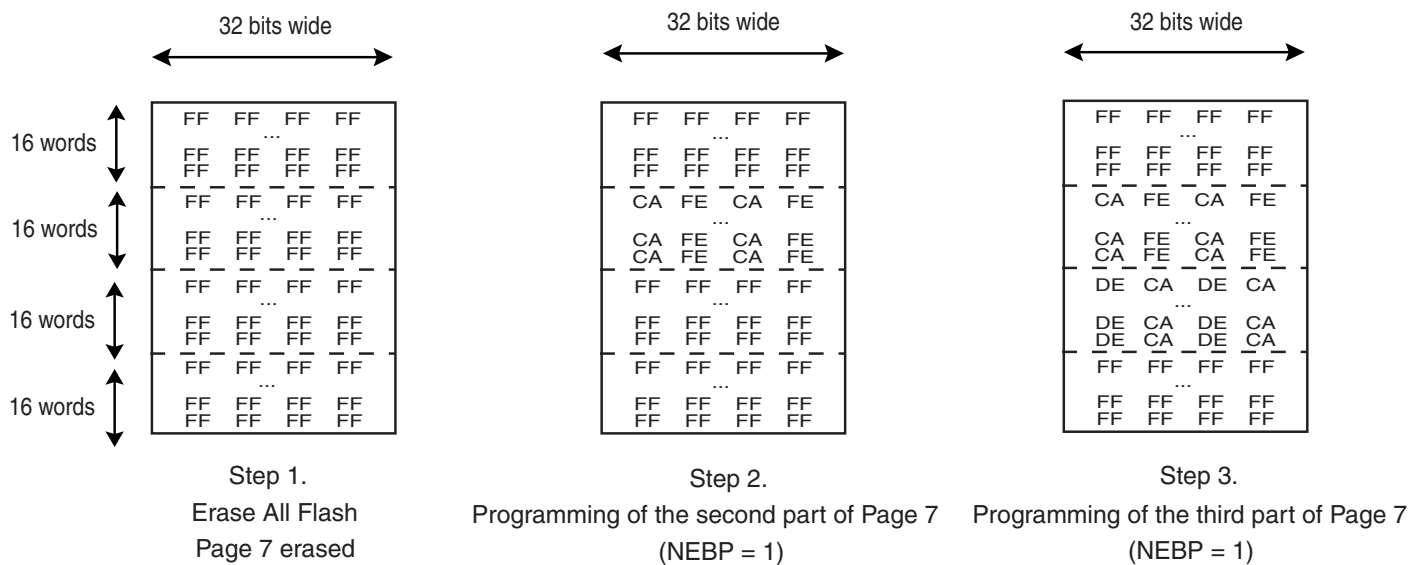
#### 19.2.4.1 Flash Programming

Several commands can be used to program the Flash.

The Flash technology requires that an erase must be done before programming. The entire memory plane can be erased at the same time, or a page can be automatically erased by clearing the NEBP bit in the MC\_FMR register before writing the command in the MC\_FCR register.

By setting the NEBP bit in the MC\_FMR register, a page can be programmed in several steps if it has been erased before (see [Figure 19-6](#)).

**Figure 19-6.** Example of Partial Page Programming



The Partial Programming mode works only with 32-bit (or higher) boundaries. It cannot be used with boundaries lower than 32 bits (8 or 16-bit for example).

After programming, the page (the whole lock region) can be locked to prevent miscellaneous write or erase sequences. The lock bit can be automatically set after page programming using WPL.

Data to be written are stored in an internal latch buffer. The size of the latch buffer corresponds to the page size. The latch buffer wraps around within the internal memory area address space and appears to be repeated by the number of pages in it.

Note: Writing of 8-bit and 16-bit data is not allowed and may lead to unpredictable data corruption.

Data are written to the latch buffer before the programming command is written to the Flash Command Register MC\_FCR. The sequence is as follows:

- Write the full page, at any page address, within the internal memory area address space using only 32-bit access.
- Programming starts as soon as the page number and the programming command are written to the Flash Command Register. The FRDY bit in the Flash Programming Status Register (MC\_FSR) is automatically cleared.
- When programming is completed, the bit FRDY in the Flash Programming Status Register (MC\_FSR) rises. If an interrupt was enabled by setting the bit FRDY in MC\_FMR, the interrupt line of the Memory Controller is activated.

Two errors can be detected in the MC\_FSR register after a programming sequence:

- Programming Error: A bad keyword and/or an invalid command have been written in the MC\_FCR register.
- Lock Error: The page to be programmed belongs to a locked region. A command must be previously run to unlock the corresponding region.

## 19.2.4.2 Erase All Command

The entire memory can be erased if the Erase All Command (EA) in the Flash Command Register MC\_FCR is written.

Erase All operation is allowed only if there are no lock bits set. Thus, if at least one lock region is locked, the bit LOCKE in MC\_FSR rises and the command is cancelled. If the bit LOCKE has been written at 1 in MC\_FMR, the interrupt line rises.

When programming is complete, the bit FRDY bit in the Flash Programming Status Register (MC\_FSR) rises. If an interrupt has been enabled by setting the bit FRDY in MC\_FMR, the interrupt line of the Memory Controller is activated.

Two errors can be detected in the MC\_FSR register after a programming sequence:

- Programming Error: A bad keyword and/or an invalid command have been written in the MC\_FCR register.
- Lock Error: At least one lock region to be erased is protected. The erase command has been refused and no page has been erased. A Clear Lock Bit command must be executed previously to unlock the corresponding lock regions.

### 19.2.4.3 Lock Bit Protection

Lock bits are associated with several pages in the embedded Flash memory plane. This defines lock regions in the embedded Flash memory plane. They prevent writing/erasing protected pages.

After production, the device may have some embedded Flash lock regions locked. These locked regions are reserved for a default application. Refer to the product definition section for the default embedded Flash mapping. Locked sectors can be unlocked to be erased and then programmed with another application or other data.

The lock sequence is:

- The Flash Command register must be written with the following value:  
 $(0x5A \ll 24) | (\text{lockPageNumber} \ll 8 \ \& \ \text{PAGEN}) | \text{SLB}$   
 lockPageNumber is a page of the corresponding lock region.
- When locking completes, the bit FRDY in the Flash Programming Status Register (MC\_FSR) rises. If an interrupt has been enabled by setting the bit FRDY in MC\_FMR, the interrupt line of the Memory Controller is activated.

A programming error, where a bad keyword and/or an invalid command have been written in the MC\_FCR register, may be detected in the MC\_FSR register after a programming sequence.

It is possible to clear lock bits that were set previously. Then the locked region can be erased or programmed. The unlock sequence is:

- The Flash Command register must be written with the following value:  
 $(0x5A \ll 24) | (\text{lockPageNumber} \ll 8 \ \& \ \text{PAGEN}) | \text{CLB}$   
 lockPageNumber is a page of the corresponding lock region.
- When the unlock completes, the bit FRDY in the Flash Programming Status Register (MC\_FSR) rises. If an interrupt has been enabled by setting the bit FRDY in MC\_FMR, the interrupt line of the Memory Controller is activated.

A programming error, where a bad keyword and/or an invalid command have been written in the MC\_FCR register, may be detected in the MC\_FSR register after a programming sequence.

The Unlock command programs the lock bit to 1; the corresponding bit LOCKSx in MC\_FSR reads 0. The Lock command programs the lock bit to 0; the corresponding bit LOCKSx in MC\_FSR reads 1.

Note: Access to the Flash in Read Mode is permitted when a Lock or Unlock command is performed.

## 19.2.4.4 General-purpose NVM Bits

General-purpose NVM bits do not interfere with the embedded Flash memory plane. (Does not apply to EFC1 on the AT91SAM7S512.) These general-purpose bits are dedicated to protect other parts of the product. They can be set (activated) or cleared individually. Refer to the product definition section for the general-purpose NVM bit action.

The activation sequence is:

- Start the Set General Purpose Bit command (SGPB) by writing the Flash Command Register with the SEL command and the number of the general-purpose bit to be set in the PAGEN field.
- When the bit is set, the bit FRDY in the Flash Programming Status Register (MC\_FSR) rises. If an interrupt has been enabled by setting the bit FRDY in MC\_FMR, the interrupt line of the Memory Controller is activated.

Two errors can be detected in the MC\_FSR register after a programming sequence:

- Programming Error: A bad keyword and/or an invalid command have been written in the MC\_FCR register
- If the general-purpose bit number is greater than the total number of general-purpose bits, then the command has no effect.

It is possible to deactivate a general-purpose NVM bit set previously. The clear sequence is:

- Start the Clear General-purpose Bit command (CGPB) by writing the Flash Command Register with CGPB and the number of the general-purpose bit to be cleared in the PAGEN field.
- When the clear completes, the bit FRDY in the Flash Programming Status Register (MC\_FSR) rises. If an interrupt has been enabled by setting the bit FRDY in MC\_FMR, the interrupt line of the Memory Controller is activated.

Two errors can be detected in the MC\_FSR register after a programming sequence:

- Programming Error: a bad keyword and/or an invalid command have been written in the MC\_FCR register
- If the number of the general-purpose bit set in the PAGEN field is greater than the total number of general-purpose bits, then the command has no effect.

The Clear General-purpose Bit command programs the general-purpose NVM bit to 0; the corresponding bit GPNVM0 to GPNVMx in MC\_FSR reads 0. The Set General-purpose Bit command programs the general-purpose NVM bit to 1; the corresponding bit GPNVMx in MC\_FSR reads 1.

Note: Access to the Flash in read mode is permitted when a Set, Clear or Get General-purpose NVM Bit command is performed.

## 19.2.4.5 Security Bit

The goal of the security bit is to prevent external access to the internal bus system. (Does not apply to EFC1 on the AT91SAM7S512.) JTAG, Fast Flash Programming and Flash Serial Test Interfac features are disabled. Once set, this bit can be reset only by an external hardware ERASE request to the chip. Refer to the product definition section for the pin name that controls the ERASE. In this case, the full memory plane is erased and all lock and general-purpose NVM bits are cleared. The security bit in the MC\_FSR is cleared only after these operations. The activation sequence is:

- Start the Set Security Bit command (SSB) by writing the Flash Command Register.



- When the locking completes, the bit FRDY in the Flash Programming Status Register (MC\_FSR) rises. If an interrupt has been enabled by setting the bit FRDY in MC\_FMR, the interrupt line of the Memory Controller is activated.

When the security bit is active, the SECURITY bit in the MC\_FSR is set.



## 19.3 Embedded Flash Controller (EFC) User Interface

The User Interface of the EFC is integrated within the Memory Controller with Base Address: 0xFFFF FF00.

The AT91SAM7S512 is equipped with two EFCs, EFC0 and EFC1, as described in the Register Mapping tables and Register descriptions that follow.

**Table 19-3.** (EFC0) Register Mapping

| Offset | Register                  | Name   | Access     | Reset |
|--------|---------------------------|--------|------------|-------|
| 0x60   | MC Flash Mode Register    | MC_FMR | Read-write | 0x0   |
| 0x64   | MC Flash Command Register | MC_FCR | Write-only | –     |
| 0x68   | MC Flash Status Register  | MC_FSR | Read-only  | –     |
| 0x6C   | Reserved                  | –      | –          | –     |

**Table 19-4.** (EFC1) Register Mapping

| Offset | Register                  | Name   | Access     | Reset |
|--------|---------------------------|--------|------------|-------|
| 0x70   | MC Flash Mode Register    | MC_FMR | Read-write | 0x0   |
| 0x74   | MC Flash Command Register | MC_FCR | Write-only | –     |
| 0x78   | MC Flash Status Register  | MC_FSR | Read-only  | –     |
| 0x7C   | Reserved                  | –      | –          | –     |

### 19.3.1 MC Flash Mode Register

**Register Name:** MC\_FMR

**Access Type:** Read-write

**Offset: (EFC0)** 0x60

**Offset: (EFC1)** 0x70

|      |    |    |    |       |       |     |      |
|------|----|----|----|-------|-------|-----|------|
| 31   | 30 | 29 | 28 | 27    | 26    | 25  | 24   |
| –    | –  | –  | –  | –     | –     | –   | –    |
| 23   | 22 | 21 | 20 | 19    | 18    | 17  | 16   |
| FMCN |    |    |    |       |       |     |      |
| 15   | 14 | 13 | 12 | 11    | 10    | 9   | 8    |
| –    | –  | –  | –  | –     | –     | FWS |      |
| 7    | 6  | 5  | 4  | 3     | 2     | 1   | 0    |
| NEBP | –  | –  | –  | PROGE | LOCKE | –   | FRDY |

- **FRDY: Flash Ready Interrupt Enable**

0: Flash Ready does not generate an interrupt.

1: Flash Ready generates an interrupt.

- **LOCKE: Lock Error Interrupt Enable**

0: Lock Error does not generate an interrupt.

1: Lock Error generates an interrupt.

- **PROGE: Programming Error Interrupt Enable**

0: Programming Error does not generate an interrupt.

1: Programming Error generates an interrupt.

- **NEBP: No Erase Before Programming**

0: A page erase is performed before programming.

1: No erase is performed before programming.

- **FWS: Flash Wait State**

This field defines the number of wait states for read and write operations:

| FWS | Read Operations | Write Operations |
|-----|-----------------|------------------|
| 0   | 1 cycle         | 2 cycles         |
| 1   | 2 cycles        | 3 cycles         |
| 2   | 3 cycles        | 4 cycles         |
| 3   | 4 cycles        | 4 cycles         |

- **FMCN: Flash Microsecond Cycle Number**

Before writing Non Volatile Memory bits (Lock bits, General Purpose NVM bit and Security bits), this field must be set to the number of Master Clock cycles in one microsecond.

When writing the rest of the Flash, this field defines the number of Master Clock cycles in 1.5 microseconds. This number must be rounded up.

**Warning:** The value 0 is only allowed for a master clock period superior to 30 microseconds.

**Warning:** In order to guarantee valid operations on the flash memory, the field Flash Microsecond Cycle Number (FMCN) **must be** correctly programmed.



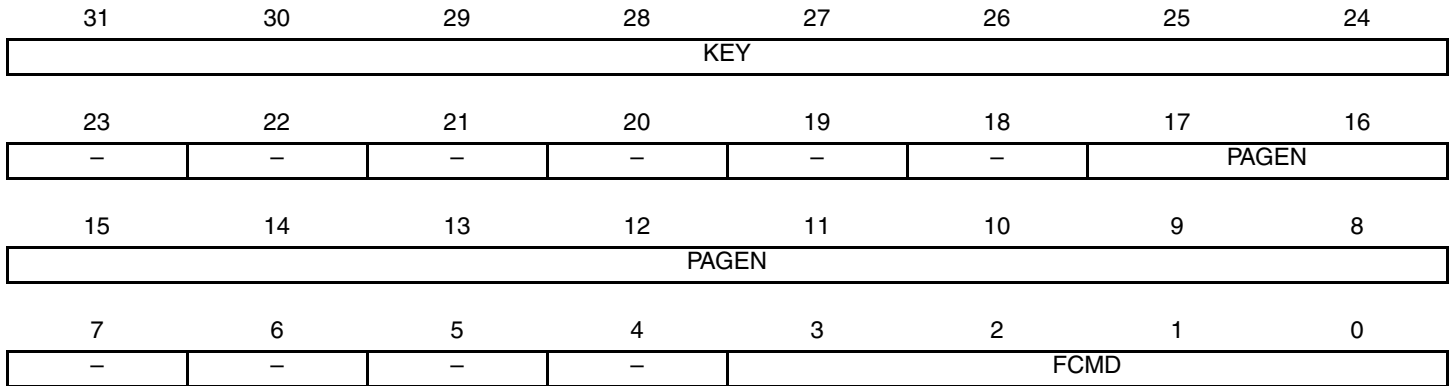
### 19.3.2 MC Flash Command Register

**Register Name:** MC\_FCR

**Access Type:** Write-only

**Offset: (EFC0)** 0x64

**Offset: (EFC1)** 0x74



• **FCMD: Flash Command**

This field defines the Flash commands:

| FCMD   | Operations  |
|--------|---|
| 0000   | No command.<br>Does not raise the Programming Error Status flag in the Flash Status Register MC_FSR.  |
| 0001   | Write Page Command (WP):<br>Starts the programming of the page specified in the PAGEN field.  |
| 0010   | Set Lock Bit Command (SLB):<br>Starts a set lock bit sequence of the lock region specified in the PAGEN field.  |
| 0011   | Write Page and Lock Command (WPL):<br>The lock sequence of the lock region associated with the page specified in the field PAGEN occurs automatically after completion of the programming sequence. |
| 0100   | Clear Lock Bit Command (CLB):<br>Starts a clear lock bit sequence of the lock region specified in the PAGEN field.  |
| 1000   | Erase All Command (EA):<br>Starts the erase of the entire Flash.<br>If at least one page is locked, the command is cancelled.   |
| 1011   | Set General-purpose NVM Bit (SGPB):<br>Activates the general-purpose NVM bit corresponding to the number specified in the PAGEN field.  |
| 1101   | Clear General Purpose NVM Bit (CGPB):<br>Deactivates the general-purpose NVM bit corresponding to the number specified in the PAGEN field.  |
| 1111   | Set Security Bit Command (SSB):<br>Sets security bit.   |
| Others | Reserved.<br>Raises the Programming Error Status flag in the Flash Status Register MC_FSR.  |

- **PAGEN: Page Number**

| Command                                   | PAGEN Description   |
|---|---|
| Write Page Command                        | PAGEN defines the page number to be written.                                |
| Write Page and Lock Command               | PAGEN defines the page number to be written and its associated lock region. |
| Erase All Command                         | This field is meaningless   |
| Set/Clear Lock Bit Command                | PAGEN defines one page number of the lock region to be locked or unlocked.  |
| Set/Clear General Purpose NVM Bit Command | PAGEN defines the general-purpose bit number.                               |
| Set Security Bit Command                  | This field is meaningless   |

Note: Depending on the command, all the possible unused bits of PAGEN are meaningless.

- **KEY: Write Protection Key**

This field should be written with the value 0x5A to enable the command defined by the bits of the register. If the field is written with a different value, the write is not performed and no action is started.

### 19.3.3 MC Flash Status Register

**Register Name:** MC\_FSR

**Access Type:** Read-only

**Offset: (EFC0)** 0x68

**Offset: (EFC1)** 0x78

|         |         |         |          |         |         |        |        |
|---------|---------|---------|----------|---------|---------|--------|--------|
| 31      | 30      | 29      | 28       | 27      | 26      | 25     | 24     |
| LOCKS15 | LOCKS14 | LOCKS13 | LOCKS12  | LOCKS11 | LOCKS10 | LOCKS9 | LOCKS8 |
| 23      | 22      | 21      | 20       | 19      | 18      | 17     | 16     |
| LOCKS7  | LOCKS6  | LOCKS5  | LOCKS4   | LOCKS3  | LOCKS2  | LOCKS1 | LOCKS0 |
| 15      | 14      | 13      | 12       | 11      | 10      | 9      | 8      |
| -       | -       | -       | -        | -       | -       | GPNVM1 | GPNVM0 |
| 7       | 6       | 5       | 4        | 3       | 2       | 1      | 0      |
| -       | -       | -       | SECURITY | PROGE   | LOCKE   | -      | FRDY   |

- **FRDY: Flash Ready Status**

0: The EFC is busy and the application must wait before running a new command.

1: The EFC is ready to run a new command.

- **LOCKE: Lock Error Status**

0: No programming of at least one locked lock region has happened since the last read of MC\_FSR.

1: Programming of at least one locked lock region has happened since the last read of MC\_FSR.

- **PROGE: Programming Error Status**

0: No invalid commands and no bad keywords were written in the Flash Command Register MC\_FCR.

1: An invalid command and/or a bad keyword was/were written in the Flash Command Register MC\_FCR.

- **SECURITY: Security Bit Status** (Does not apply to EFC1 on the AT91SAM7S512.)

0: The security bit is inactive.

1: The security bit is active.

- **GPNVMx: General-purpose NVM Bit Status** (Does not apply to EFC1 on the AT91SAM7S512.)

0: The corresponding general-purpose NVM bit is inactive.

1: The corresponding general-purpose NVM bit is active.

- **EFC LOCKSx: Lock Region x Lock Status**

0: The corresponding lock region is not locked.

1: The corresponding lock region is locked.

LOCKS 8-15 do not apply to AT91SAM7S128/321/32/161/16.

## MC\_FSR, LOCKSx Product Specific Map

| AT91SAM7S 512   | AT91SAM7S 256 | AT91SAM7S 128 | AT91SAM7S 64 | AT91SAM7S 321 | AT91SAM7S 32 | AT91SAM7S 161 | AT91SAM7S 16 | Denomination               |
|-----------------|---------------|---------------|--------------|---------------|--------------|---------------|--------------|----------------------------|
| 32 <sup>0</sup> | 16            | 8             | 16           | 8             | 8            | 8             | 8            | Number of Lock Bits        |
| LOCKS0          | LOCKS0        | LOCKS0        | LOCKS0       | LOCKS0        | LOCKS0       | LOCKS0        | LOCKS0       | Lock Region 0 Lock Status  |
| LOCKS1          | LOCKS1        | LOCKS1        | LOCKS1       | LOCKS1        | LOCKS1       | LOCKS1        | LOCKS1       | Lock Region 1 Lock Status  |
| LOCKS2          | LOCKS2        | LOCKS2        | LOCKS2       | LOCKS2        | LOCKS2       | LOCKS2        | LOCKS2       | Lock Region 2 Lock Status  |
| LOCKS3          | LOCKS3        | LOCKS3        | LOCKS3       | LOCKS3        | LOCKS3       | LOCKS3        | LOCKS3       | Lock Region 3 Lock Status  |
| LOCKS4          | LOCKS4        | LOCKS4        | LOCKS4       | LOCKS4        | LOCKS4       | LOCKS4        | LOCKS4       | Lock Region 4 Lock Status  |
| LOCKS5          | LOCKS5        | LOCKS5        | LOCKS5       | LOCKS5        | LOCKS5       | LOCKS5        | LOCKS5       | Lock Region 5 Lock Status  |
| LOCKS6          | LOCKS6        | LOCKS6        | LOCKS6       | LOCKS6        | LOCKS6       | LOCKS6        | LOCKS6       | Lock Region 6 Lock Status  |
| LOCKS7          | LOCKS7        | LOCKS7        | LOCKS7       | LOCKS7        | LOCKS7       | LOCKS7        | LOCKS7       | Lock Region 7 Lock Status  |
| LOCKS8          | LOCKS8        | –             | LOCKS8       | –             | –            | –             | –            | Lock Region 8 Lock Status  |
| LOCKS9          | LOCKS9        | –             | LOCKS9       | –             | –            | –             | –            | Lock Region 9 Lock Status  |
| LOCKS10         | LOCKS10       | –             | LOCKS10      | –             | –            | –             | –            | Lock Region 10 Lock Status |
| LOCKS11         | LOCKS11       | –             | LOCKS11      | –             | –            | –             | –            | Lock Region 11 Lock Status |
| LOCKS12         | LOCKS12       | –             | LOCKS12      | –             | –            | –             | –            | Lock Region 12 Lock Status |
| LOCKS13         | LOCKS13       | –             | LOCKS13      | –             | –            | –             | –            | Lock Region 13 Lock Status |
| LOCKS14         | LOCKS14       | –             | LOCKS14      | –             | –            | –             | –            | Lock Region 14 Lock Status |
| LOCKS15         | LOCKS15       | –             | LOCKS15      | –             | –            | –             | –            | Lock Region 15 Lock Status |

The AT91SAM7S512 manages 16 lock bits on EF0 and 16 on EFC1 = 32.





## 20. Fast Flash Programming Interface (FFPI)

### 20.1 Overview

The Fast Flash Programming Interface provides two solutions - parallel or serial - for high-volume programming using a standard gang programmer. The parallel interface is fully handshaked and the device is considered to be a standard EEPROM. Additionally, the parallel protocol offers an optimized access to all the embedded Flash functionalities. The serial interface uses the standard IEEE 1149.1 JTAG protocol. It offers an optimized access to all the embedded Flash functionalities.

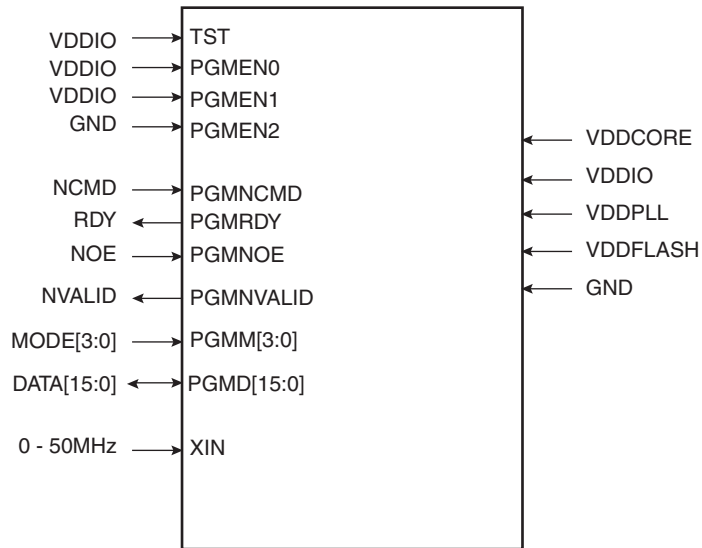
Although the Fast Flash Programming Mode is a dedicated mode for high volume programming, this mode is not designed for in-situ programming.

## 20.2 Parallel Fast Flash Programming

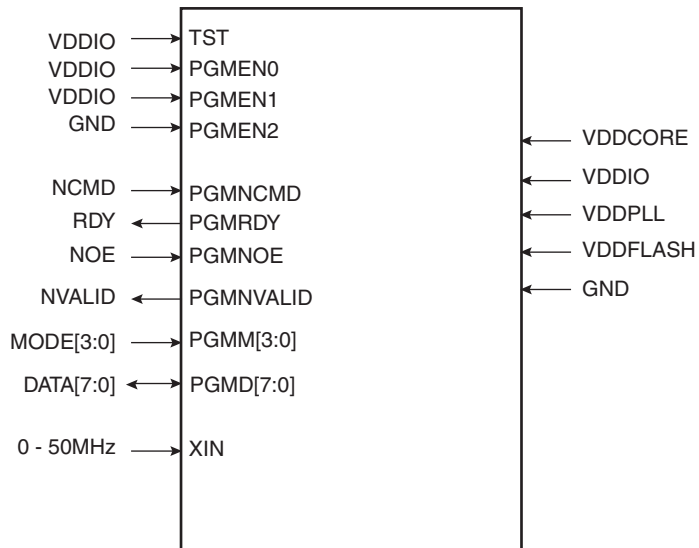
### 20.2.1 Device Configuration

In Fast Flash Programming Mode, the device is in a specific test mode. Only a certain set of pins is significant. Other pins must be left unconnected.

**Figure 20-1.** AT91SAM7S512/256/128/64/321/161 Parallel Programming Interface



**Figure 20-2.** AT91SAM7S32/16 Parallel Programming Interface



**Table 20-1.** Signal Description List

| Signal Name                        | Function  | Type         | Active Level | Comments                   |
|------------------------------------|---|--------------|--------------|----------------------------|
| <b>Power</b>                       |   |              |              |                            |
| VDDFLASH                           | Flash Power Supply  | Power        |              |                            |
| VDDIO                              | I/O Lines Power Supply  | Power        |              |                            |
| VDDCORE                            | Core Power Supply   | Power        |              |                            |
| VDDPLL                             | PLL Power Supply  | Power        |              |                            |
| GND                                | Ground  | Ground       |              |                            |
| <b>Clocks</b>                      |   |              |              |                            |
| XIN                                | Main Clock Input.<br>This input can be tied to GND. In this case, the device is clocked by the internal RC oscillator.    | Input        |              | 32KHz to 50MHz             |
| <b>Test</b>                        |   |              |              |                            |
| TST                                | Test Mode Select  | Input        | High         | Must be connected to VDDIO |
| PGMEN0                             | Test Mode Select  | Input        | High         | Must be connected to VDDIO |
| PGMEN1                             | Test Mode Select  | Input        | High         | Must be connected to VDDIO |
| PGMEN2                             | Test Mode Select  | Input        | Low          | Must be connected to GND   |
| <b>PIO</b>                         |   |              |              |                            |
| PGMNCMD                            | Valid command available   | Input        | Low          | Pulled-up input at reset   |
| PGMRDY                             | 0: Device is busy<br>1: Device is ready for a new command   | Output       | High         | Pulled-up input at reset   |
| PGMNOE                             | Output Enable (active high)   | Input        | Low          | Pulled-up input at reset   |
| PGMNVALID                          | 0: DATA[15:0] or DATA[7:0] <sup>(1)</sup> is in input mode<br>1: DATA[15:0] or DATA[7:0] <sup>(1)</sup> is in output mode | Output       | Low          | Pulled-up input at reset   |
| PGMM[3:0]                          | Specifies DATA type (See <a href="#">Table 20-2</a> )   | Input        |              | Pulled-up input at reset   |
| PGMD[15:0] or [7:0] <sup>(2)</sup> | Bi-directional data bus   | Input/Output |              | Pulled-up input at reset   |

Notes: 1. DATA[7:0] pertains to the AT91SAM7S32/16.

2. PGMD[7:0] pertains to the AT91SAM7S32/16.

## 20.2.2 Signal Names

Depending on the MODE settings, DATA is latched in different internal registers.

**Table 20-2.** Mode Coding

| MODE[3:0] | Symbol | Data                  |
|-----------|--------|-----------------------|
| 0000      | CMDE   | Command Register      |
| 0001      | ADDR0  | Address Register LSBs |
| 0010      | ADDR1  |                       |
| 0011      | ADDR2  |                       |
| 0100      | ADDR3  | Address Register MSBs |
| 0101      | DATA   | Data Register         |
| Default   | IDLE   | No register           |

When MODE is equal to CMDE, then a new command (strobed on DATA[15:0] or DATA[7:0] signals) is stored in the command register.

Note: DATA[7:0] pertains to the AT91SAM7S32/16.

**Table 20-3.** Command Bit Coding

| DATA[15:0]<br>DATA[7:0] <sup>(1)</sup> | Symbol | Command Executed                     |
|--|--------|--------------------------------------|
| 0x0011                                 | READ   | Read Flash                           |
| 0x0012                                 | WP     | Write Page Flash                     |
| 0x0022                                 | WPL    | Write Page and Lock Flash            |
| 0x0032                                 | EWP    | Erase Page and Write Page            |
| 0x0042                                 | EWPL   | Erase Page and Write Page then Lock  |
| 0x0013                                 | EA     | Erase All                            |
| 0x0014                                 | SLB    | Set Lock Bit                         |
| 0x0024                                 | CLB    | Clear Lock Bit                       |
| 0x0015                                 | GLB    | Get Lock Bit                         |
| 0x0034                                 | SGPB   | Set General Purpose NVM bit          |
| 0x0044                                 | CGPB   | Clear General Purpose NVM bit        |
| 0x0025                                 | GGPB   | Get General Purpose NVM bit          |
| 0x0054                                 | SSE    | Set Security Bit                     |
| 0x0035                                 | GSE    | Get Security Bit                     |
| 0x001F                                 | WRAM   | Write Memory                         |
| 0x0016                                 | SEFC   | Select EFC Controller <sup>(2)</sup> |
| 0x001E                                 | GVE    | Get Version                          |

Notes: 1. DATA[7:0] pertains to the AT91SAM7S32/16.

2. Applies to AT91SAM7S512.

## 20.2.3 Entering Programming Mode

The following algorithm puts the device in Parallel Programming Mode:

- Apply GND, VDDIO, VDDCORE, VDDFLASH and VDDPLL.
- Apply XIN clock within  $T_{POR\_RESET}$  if an external clock is available.
- Wait for  $T_{POR\_RESET}$
- Start a read or write handshaking.

Note: After reset, the device is clocked by the internal RC oscillator. Before clearing RDY signal, if an external clock (> 32 kHz) is connected to XIN, then the device switches on the external clock. Else, XIN input is not considered. A higher frequency on XIN speeds up the programmer handshake.

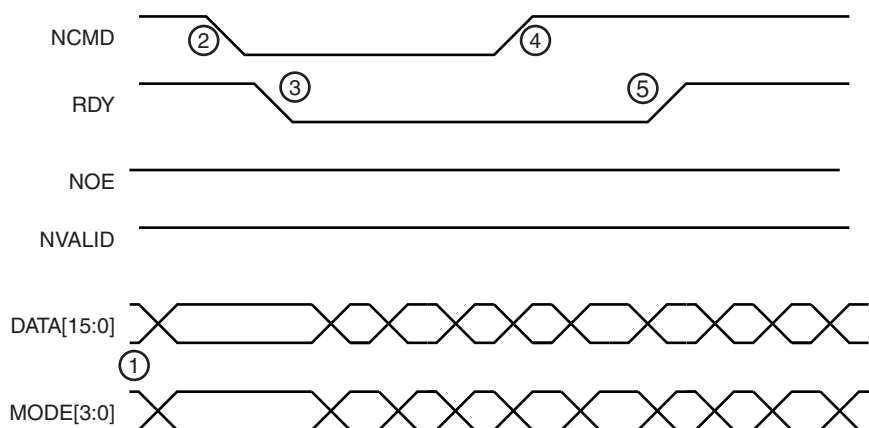
## 20.2.4 Programmer Handshaking

An handshake is defined for read and write operations. When the device is ready to start a new operation (RDY signal set), the programmer starts the handshake by clearing the NCMD signal. The handshaking is achieved once NCMD signal is high and RDY is high.

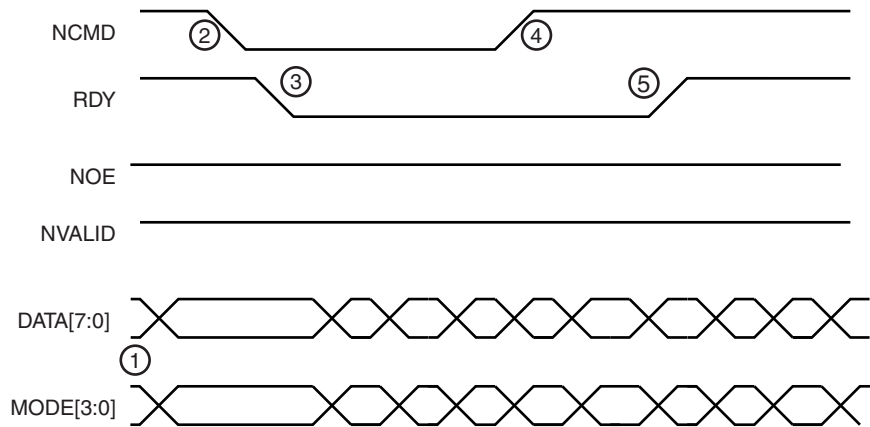
### 20.2.4.1 Write Handshaking

For details on the write handshaking sequence, refer to [Figure 20-3](#) [Figure 20-4](#) and [Table 20-4](#).

**Figure 20-3.** AT91SAM7S512/256/128/64/321/161 Parallel Programming Timing, Write Sequence



**Figure 20-4.** AT91SAM7S32/16 Parallel Programming Timing, Write Sequence



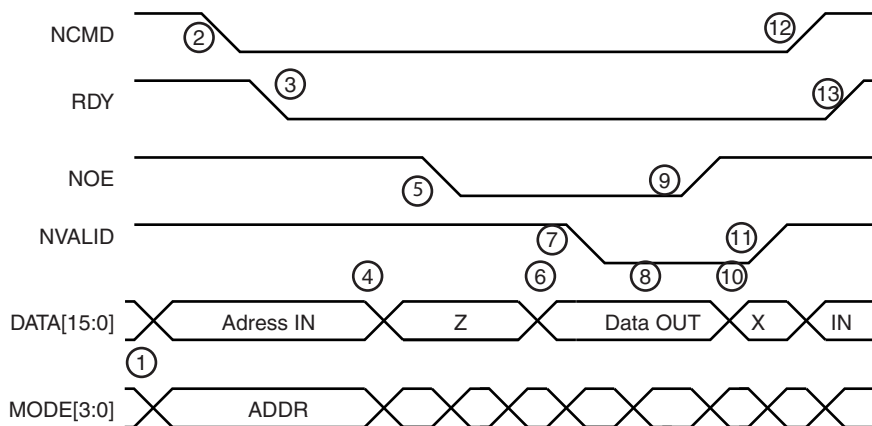
**Table 20-4.** Write Handshake

| Step | Programmer Action              | Device Action                        | Data I/O |
|------|--------------------------------|--------------------------------------|----------|
| 1    | Sets MODE and DATA signals     | Waits for NCMD low                   | Input    |
| 2    | Clears NCMD signal             | Latches MODE and DATA                | Input    |
| 3    | Waits for RDY low              | Clears RDY signal                    | Input    |
| 4    | Releases MODE and DATA signals | Executes command and polls NCMD high | Input    |
| 5    | Sets NCMD signal               | Executes command and polls NCMD high | Input    |
| 6    | Waits for RDY high             | Sets RDY                             | Input    |

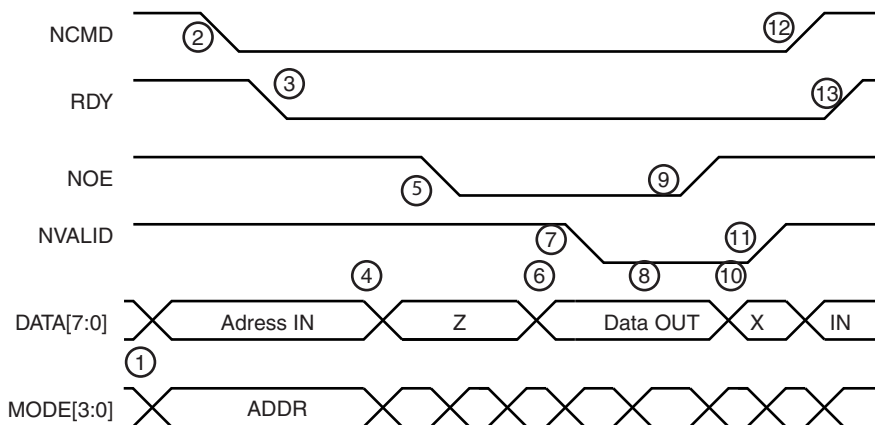
20.2.4.2 Read Handshaking

For details on the read handshaking sequence, refer to [Figure 20-5](#) [Figure 20-6](#) and [Table 20-5](#).

**Figure 20-5.** AT91SAM7S542/256/128/321/161 Parallel Programming Timing, Read Sequence



**Figure 20-6.** AT91SAM7S32/16 Parallel Programming Timing, Read Sequence



**Table 20-5.** Read Handshake

| Step | Programmer Action            | Device Action  | DATA I/O |
|------|------------------------------|--|----------|
| 1    | Sets MODE and DATA signals   | Waits for NCMD low   | Input    |
| 2    | Clears NCMD signal           | Latch MODE and DATA  | Input    |
| 3    | Waits for RDY low            | Clears RDY signal  | Input    |
| 4    | Sets DATA signal in tristate | Waits for NOE Low  | Input    |
| 5    | Clears NOE signal            |  | Tristate |
| 6    | Waits for NVALID low         | Sets DATA bus in output mode and outputs the flash contents. | Output   |
| 7    |                              | Clears NVALID signal   | Output   |
| 8    | Reads value on DATA Bus      | Waits for NOE high   | Output   |
| 9    | Sets NOE signal              |  | Output   |
| 10   | Waits for NVALID high        | Sets DATA bus in input mode                                  | X        |
| 11   | Sets DATA in output mode     | Sets NVALID signal   | Input    |
| 12   | Sets NCMD signal             | Waits for NCMD high  | Input    |
| 13   | Waits for RDY high           | Sets RDY signal  | Input    |

## 20.2.5 Device Operations

Several commands on the Flash memory are available. These commands are summarized in [Table 20-3 on page 124](#). Each command is driven by the programmer through the parallel interface running several read/write handshaking sequences.

When a new command is executed, the previous one is automatically achieved. Thus, chaining a read command after a write automatically flushes the load buffer in the Flash.

**In the following tables, 21-6 through 21-18**

- **DATA[15:0]** pertains to AT91SAM7S512/256/128/64/321/161
- **DATA[7:0]** pertains to AT91SAM7S32/16

### 20.2.5.1 Flash Read Command

This command is used to read the contents of the Flash memory. The read command can start at any valid address in the memory plane and is optimized for consecutive reads. Read handshaking can be chained; an internal address buffer is automatically increased.

**Table 20-6.** Read Command

| Step | Handshake Sequence | MODE[3:0] | DATA[15:0]         |
|------|--------------------|-----------|--------------------|
| 1    | Write handshaking  | CMDE      | READ               |
| 2    | Write handshaking  | ADDR0     | Memory Address LSB |
| 3    | Write handshaking  | ADDR1     | Memory Address     |
| 4    | Read handshaking   | DATA      | *Memory Address++  |
| 5    | Read handshaking   | DATA      | *Memory Address++  |
| ...  | ...                | ...       | ...                |
| n    | Write handshaking  | ADDR0     | Memory Address LSB |
| n+1  | Write handshaking  | ADDR1     | Memory Address     |
| n+2  | Read handshaking   | DATA      | *Memory Address++  |
| n+3  | Read handshaking   | DATA      | *Memory Address++  |
| ...  | ...                | ...       | ...                |

**Table 20-7.** Read Command

| Step | Handshake Sequence | MODE[3:0] | DATA[7:0]          |
|------|--------------------|-----------|--------------------|
| 1    | Write handshaking  | CMDE      | READ               |
| 2    | Write handshaking  | ADDR0     | Memory Address LSB |
| 3    | Write handshaking  | ADDR1     | Memory Address     |
| 4    | Write handshaking  | ADDR2     | Memory Address     |
| 5    | Write handshaking  | ADDR3     | Memory Address     |
| 6    | Read handshaking   | DATA      | *Memory Address++  |
| 7    | Read handshaking   | DATA      | *Memory Address++  |
| ...  | ...                | ...       | ...                |
| n    | Write handshaking  | ADDR0     | Memory Address LSB |



**Table 20-7.** Read Command (Continued)

| Step | Handshake Sequence | MODE[3:0] | DATA[7:0]         |
|------|--------------------|-----------|-------------------|
| n+1  | Write handshaking  | ADDR1     | Memory Address    |
| n+2  | Write handshaking  | ADDR2     | Memory Address    |
| n+3  | Write handshaking  | ADDR3     | Memory Address    |
| n+4  | Read handshaking   | DATA      | *Memory Address++ |
| n+5  | Read handshaking   | DATA      | *Memory Address++ |
| ...  | ...                | ...       | ...               |

## 20.2.5.2 Flash Write Command

This command is used to write the Flash contents.

The Flash memory plane is organized into several pages. Data to be written are stored in a load buffer that corresponds to a Flash memory page. The load buffer is automatically flushed to the Flash:

- before access to any page other than the current one
- when a new command is validated (MODE = CMDE)

The **Write Page** command (**WP**) is optimized for consecutive writes. Write handshaking can be chained; an internal address buffer is automatically increased.

**Table 20-8.** Write Command

| Step | Handshake Sequence | MODE[3:0] | DATA[15:0]               |
|------|--------------------|-----------|--------------------------|
| 1    | Write handshaking  | CMDE      | WP or WPL or EWP or EWPL |
| 2    | Write handshaking  | ADDR0     | Memory Address LSB       |
| 3    | Write handshaking  | ADDR1     | Memory Address           |
| 4    | Write handshaking  | DATA      | *Memory Address++        |
| 5    | Write handshaking  | DATA      | *Memory Address++        |
| ...  | ...                | ...       | ...                      |
| n    | Write handshaking  | ADDR0     | Memory Address LSB       |
| n+1  | Write handshaking  | ADDR1     | Memory Address           |
| n+2  | Write handshaking  | DATA      | *Memory Address++        |
| n+3  | Write handshaking  | DATA      | *Memory Address++        |
| ...  | ...                | ...       | ...                      |

**Table 20-9.** Write Command

| Step | Handshake Sequence | MODE[3:0] | DATA[7:0]                |
|------|--------------------|-----------|--------------------------|
| 1    | Write handshaking  | CMDE      | WP or WPL or EWP or EWPL |
| 2    | Write handshaking  | ADDR0     | Memory Address LSB       |
| 3    | Write handshaking  | ADDR1     | Memory Address           |
| 4    | Write handshaking  | ADDR2     | Memory Address           |

**Table 20-9.** Write Command (Continued)

| Step | Handshake Sequence | MODE[3:0] | DATA[7:0]          |
|------|--------------------|-----------|--------------------|
| 5    | Write handshaking  | ADDR3     | Memory Address     |
| 6    | Write handshaking  | DATA      | *Memory Address++  |
| 7    | Write handshaking  | DATA      | *Memory Address++  |
| ...  | ...                | ...       | ...                |
| n    | Write handshaking  | ADDR0     | Memory Address LSB |
| n+1  | Write handshaking  | ADDR1     | Memory Address     |
| n+2  | Write handshaking  | ADDR2     | Memory Address     |
| n+3  | Write handshaking  | ADDR3     | Memory Address     |
| n+4  | Write handshaking  | DATA      | *Memory Address++  |
| n+5  | Write handshaking  | DATA      | *Memory Address++  |
| ...  | ...                | ...       | ...                |

The Flash command **Write Page and Lock (WPL)** is equivalent to the Flash Write Command. However, the lock bit is automatically set at the end of the Flash write operation. As a lock region is composed of several pages, the programmer writes to the first pages of the lock region using Flash write commands and writes to the last page of the lock region using a Flash write and lock command.

The Flash command **Erase Page and Write (EWP)** is equivalent to the Flash Write Command. However, before programming the load buffer, the page is erased.

The Flash command **Erase Page and Write the Lock (EWPL)** combines EWP and WPL commands.

### 20.2.5.3 Flash Full Erase Command

This command is used to erase the Flash memory planes.

All lock regions must be unlocked before the Full Erase command by using the CLB command. Otherwise, the erase command is aborted and no page is erased.

**Table 20-10.** Full Erase Command

| Step | Handshake Sequence | MODE[3:0] | DATA[15:0] or DATA[7:0] |
|------|--------------------|-----------|-------------------------|
| 1    | Write handshaking  | CMDE      | EA                      |
| 2    | Write handshaking  | DATA      | 0                       |

### 20.2.5.4 Flash Lock Commands

Lock bits can be set using WPL or EWPL commands. They can also be set by using the **Set Lock** command (**SLB**). With this command, several lock bits can be activated. A Bit Mask is provided as argument to the command. When bit 0 of the bit mask is set, then the first lock bit is activated.

In the same way, the **Clear Lock** command (**CLB**) is used to clear lock bits. All the lock bits are also cleared by the EA command.

**Table 20-11.** Set and Clear Lock Bit Command

| Step | Handshake Sequence | MODE[3:0] | DATA[15:0] or DATA[7:0] |
|------|--------------------|-----------|-------------------------|
| 1    | Write handshaking  | CMDE      | SLB or CLB              |
| 2    | Write handshaking  | DATA      | Bit Mask                |

Lock bits can be read using **Get Lock Bit** command (**GLB**). The  $n^{\text{th}}$  lock bit is active when the bit  $n$  of the bit mask is set..

**Table 20-12.** Get Lock Bit Command

| Step | Handshake Sequence | MODE[3:0] | DATA[15:0] or DATA[7:0]  |
|------|--------------------|-----------|--|
| 1    | Write handshaking  | CMDE      | GLB  |
| 2    | Read handshaking   | DATA      | Lock Bit Mask Status<br>0 = Lock bit is cleared<br>1 = Lock bit is set |

## 20.2.5.5 Flash General-purpose NVM Commands

General-purpose NVM bits (GP NVM bits) can be set using the **Set GPNVM** command (**SGPB**). This command also activates GP NVM bits. A bit mask is provided as argument to the command. When bit 0 of the bit mask is set, then the first GP NVM bit is activated.

In the same way, the **Clear GPNVM** command (**CGPB**) is used to clear general-purpose NVM bits. All the general-purpose NVM bits are also cleared by the EA command. The general-purpose NVM bit is deactivated when the corresponding bit in the pattern value is set to 1.

**Table 20-13.** Set/Clear GP NVM Command

| Step | Handshake Sequence | MODE[3:0] | DATA[15:0] or DATA[7:0]  |
|------|--------------------|-----------|--------------------------|
| 1    | Write handshaking  | CMDE      | SGPB or CGPB             |
| 2    | Write handshaking  | DATA      | GP NVM bit pattern value |

General-purpose NVM bits can be read using the **Get GPNVM Bit** command (**GGPB**). The  $n^{\text{th}}$  GP NVM bit is active when bit  $n$  of the bit mask is set..

**Table 20-14.** Get GP NVM Bit Command

| Step | Handshake Sequence | MODE[3:0] | DATA[15:0] or DATA[7:0]  |
|------|--------------------|-----------|--|
| 1    | Write handshaking  | CMDE      | GGPB   |
| 2    | Read handshaking   | DATA      | GP NVM Bit Mask Status<br>0 = GP NVM bit is cleared<br>1 = GP NVM bit is set |

## 20.2.5.6 Flash Security Bit Command

A security bit can be set using the **Set Security Bit** command (SSE). Once the security bit is active, the Fast Flash programming is disabled. No other command can be run. An event on the Erase pin can erase the security bit once the contents of the Flash have been erased.

The AT91SAM7S512 security bit is controlled by the EFC0. To use the Set Security Bit command, the EFC0 must be selected using the Select EFC command

**Table 20-15.** Set Security Bit Command

| Step | Handshake Sequence | MODE[3:0] | DATA[15:0] |
|------|--------------------|-----------|------------|
| 1    | Write handshaking  | CMDE      | SSE        |
| 2    | Write handshaking  | DATA      | 0          |

Once the security bit is set, it is not possible to access FFPI. The only way to erase the security bit is to erase the Flash.

In order to erase the Flash, the user must perform the following:

- Power-off the chip
- Power-on the chip with TST = 0
- Assert Erase during a period of more than 220 ms
- Power-off the chip

Then it is possible to return to FFPI mode and check that Flash is erased.

#### 20.2.5.7 AT91SAM7S512 Select EFC Command

The commands WPx, EA, xLB, xFB are executed using the current EFC controller. The default EFC controller is EFC0. The **Select EFC** command (SEFC) allows selection of the current EFC controller.

**Table 20-16.** Select EFC Command

| Step | Handshake Sequence | MODE[3:0] | DATA[15:0]                         |
|------|--------------------|-----------|------------------------------------|
| 1    | Write handshaking  | CMDE      | SEFC                               |
| 2    | Write handshaking  | DATA      | 0 = Select EFC0<br>1 = Select EFC1 |

#### 20.2.5.8 Memory Write Command

This command is used to perform a write access to any memory location.

The **Memory Write** command (**WRAM**) is optimized for consecutive writes. Write handshaking can be chained; an internal address buffer is automatically increased.

**Table 20-17.** Write Command

| Step | Handshake Sequence | MODE[3:0] | DATA[15:0]         |
|------|--------------------|-----------|--------------------|
| 1    | Write handshaking  | CMDE      | WRAM               |
| 2    | Write handshaking  | ADDR0     | Memory Address LSB |
| 3    | Write handshaking  | ADDR1     | Memory Address     |
| 4    | Write handshaking  | DATA      | *Memory Address++  |
| 5    | Write handshaking  | DATA      | *Memory Address++  |
| ...  | ...                | ...       | ...                |
| n    | Write handshaking  | ADDR0     | Memory Address LSB |
| n+1  | Write handshaking  | ADDR1     | Memory Address     |

**Table 20-17.** Write Command (Continued)

| Step | Handshake Sequence | MODE[3:0] | DATA[15:0]        |
|------|--------------------|-----------|-------------------|
| n+2  | Write handshaking  | DATA      | *Memory Address++ |
| n+3  | Write handshaking  | DATA      | *Memory Address++ |
| ...  | ...                | ...       | ...               |

**Table 20-18.** Write Command

| Step | Handshake Sequence | MODE[3:0] | DATA[7:0]          |
|------|--------------------|-----------|--------------------|
| 1    | Write handshaking  | CMDE      | WRAM               |
| 2    | Write handshaking  | ADDR0     | Memory Address LSB |
| 3    | Write handshaking  | ADDR1     | Memory Address     |
| 4    | Write handshaking  | ADDR2     | Memory Address     |
| 5    | Write handshaking  | ADDR3     | Memory Address     |
| 6    | Write handshaking  | DATA      | *Memory Address++  |
| 7    | Write handshaking  | DATA      | *Memory Address++  |
| ...  | ...                | ...       | ...                |
| n    | Write handshaking  | ADDR0     | Memory Address LSB |
| n+1  | Write handshaking  | ADDR1     | Memory Address     |
| n+2  | Write handshaking  | ADDR2     | Memory Address     |
| n+3  | Write handshaking  | ADDR3     | Memory Address     |
| n+4  | Write handshaking  | DATA      | *Memory Address++  |
| n+5  | Write handshaking  | DATA      | *Memory Address++  |
| ...  | ...                | ...       | ...                |

### 20.2.5.9 Get Version Command

The **Get Version** (GVE) command retrieves the version of the FFPI interface.

**Table 20-19.** Get Version Command

| Step | Handshake Sequence | MODE[3:0] | DATA[15:0] or DATA[7:0] |
|------|--------------------|-----------|-------------------------|
| 1    | Write handshaking  | CMDE      | GVE                     |
| 2    | Write handshaking  | DATA      | Version                 |

## 20.3 Serial Fast Flash Programming

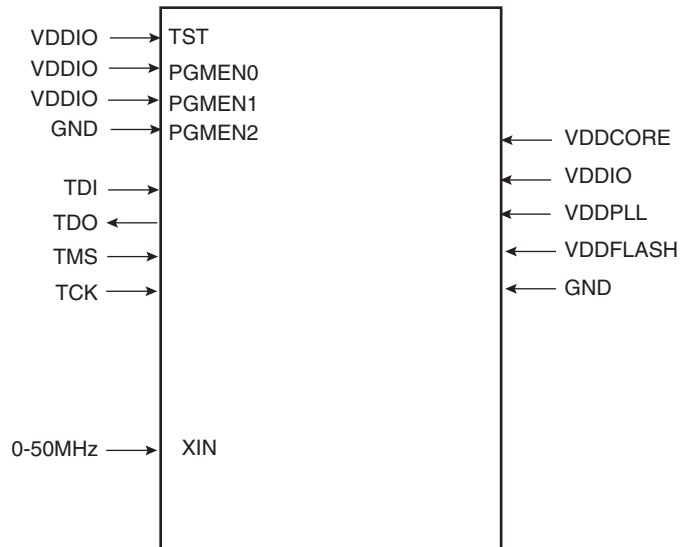
The Serial Fast Flash programming interface is based on IEEE Std. 1149.1 “Standard Test Access Port and Boundary-Scan Architecture”. Refer to this standard for an explanation of terms used in this chapter and for a description of the TAP controller states.

In this mode, data read/written from/to the embedded Flash of the device are transmitted through the JTAG interface of the device.

### 20.3.1 Device Configuration

In Serial Fast Flash Programming Mode, the device is in a specific test mode. Only a distinct set of pins is significant. Other pins must be left unconnected.

**Figure 20-7.** Serial Programming



**Table 20-20.** Signal Description List

| Signal Name   | Function   | Type   | Active Level | Comments         |
|---------------|--|--------|--------------|------------------|
| <b>Power</b>  |  |        |              |                  |
| VDDFLASH      | Flash Power Supply   | Power  |              |                  |
| VDDIO         | I/O Lines Power Supply   | Power  |              |                  |
| VDDCORE       | Core Power Supply  | Power  |              |                  |
| VDDPLL        | PLL Power Supply   | Power  |              |                  |
| GND           | Ground   | Ground |              |                  |
| <b>Clocks</b> |  |        |              |                  |
| XIN           | Main Clock Input.<br>This input can be tied to GND. In this case, the device is clocked by the internal RC oscillator. | Input  |              | 32 kHz to 50 MHz |

**Table 20-20.** Signal Description List (Continued)

| Signal Name | Function              | Type   | Active Level | Comments                    |
|-------------|-----------------------|--------|--------------|-----------------------------|
| <b>Test</b> |                       |        |              |                             |
| TST         | Test Mode Select      | Input  | High         | Must be connected to VDDIO. |
| PGMEN0      | Test Mode Select      | Input  | High         | Must be connected to VDDIO  |
| PGMEN1      | Test Mode Select      | Input  | High         | Must be connected to VDDIO  |
| PGMEN2      | Test Mode Select      | Input  | Low          | Must be connected to GND    |
| <b>JTAG</b> |                       |        |              |                             |
| TCK         | JTAG TCK              | Input  | -            | Pulled-up input at reset    |
| TDI         | JTAG Test Data In     | Input  | -            | Pulled-up input at reset    |
| TDO         | JTAG Test Data Out    | Output | -            |                             |
| TMS         | JTAG Test Mode Select | Input  | -            | Pulled-up input at reset    |

### 20.3.2 Entering Serial Programming Mode

The following algorithm puts the device in Serial Programming Mode:

- Apply GND, VDDIO, VDDCORE, VDDFLASH and VDDPLL.
- Apply XIN clock within  $T_{POR\_RESET} + 32(T_{SCLK})$  if an external clock is available.
- Wait for  $T_{POR\_RESET}$ .
- Reset the TAP controller clocking 5 TCK pulses with TMS set.
- Shift 0x2 into the IR register (IR is 4 bits long, LSB first) without going through the Run-Test-Idle state.
- Shift 0x2 into the DR register (DR is 4 bits long, LSB first) without going through the Run-Test-Idle state.
- Shift 0xC into the IR register (IR is 4 bits long, LSB first) without going through the Run-Test-Idle state.

Note: After reset, the device is clocked by the internal RC oscillator. Before clearing RDY signal, if an external clock (> 32 kHz) is connected to XIN, then the device will switch on the external clock. Else, XIN input is not considered. An higher frequency on XIN speeds up the programmer handshake.

**Table 20-21.** Reset TAP Controller and Go to Select-DR-Scan

| TDI | TMS | TAP Controller State |
|-----|-----|----------------------|
| X   | 1   |                      |
| X   | 1   |                      |
| X   | 1   |                      |
| X   | 1   |                      |
| X   | 1   | Test-Logic Reset     |
| X   | 0   | Run-Test/Idle        |
| Xt  | 1   | Select-DR-Scan       |

### 20.3.3 Read/Write Handshake

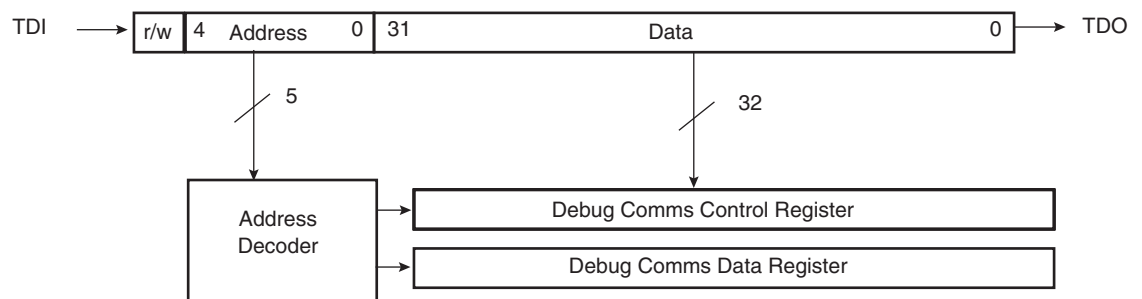
The read/write handshake is done by carrying out read/write operations on two registers of the device that are accessible through the JTAG:

- Debug Comms Control Register: DCCR
- Debug Comms Data Register: DCDR

Access to these registers is done through the TAP 38-bit DR register comprising a 32-bit data field, a 5-bit address field and a read/write bit. The data to be written is scanned into the 32-bit data field with the address of the register to the 5-bit address field and 1 to the read/write bit. A register is read by scanning its address into the address field and 0 into the read/write bit, going through the UPDATE-DR TAP state, then scanning out the data.

Refer to the ARM7TDMI reference manual for more information on Comm channel operations.

**Figure 20-8.** TAP 8-bit DR Register



A read or write takes place when the TAP controller enters UPDATE-DR state. Refer to the IEEE 1149.1 for more details on JTAG operations.

- The address of the Debug Comms Control Register is 0x04.
  - The address of the Debug Comms Data Register is 0x05.
- The Debug Comms Control Register is read-only and allows synchronized handshaking between the processor and the debugger.
- Bit 1 (W): Denotes whether the programmer can read a data through the Debug Comms Data Register. If the device is busy  $W = 0$ , then the programmer must poll until  $W = 1$ .
  - Bit 0 (R): Denotes whether the programmer can send data from the Debug Comms Data Register. If  $R = 1$ , data previously placed there through the scan chain has not been collected by the device and so the programmer must wait.

The write handshake is done by polling the Debug Comms Control Register until the R bit is cleared. Once cleared, data can be written to the Debug Comms Data Register.

The read handshake is done by polling the Debug Comms Control Register until the W bit is set. Once set, data can be read in the Debug Comms Data Register.

### 20.3.4 Device Operations

Several commands on the Flash memory are available. These commands are summarized in [Table 20-3 on page 124](#). Commands are run by the programmer through the serial interface that is reading and writing the Debug Comms Registers.



## 20.3.4.1 Flash Read Command

This command is used to read the Flash contents. The memory map is accessible through this command. Memory is seen as an array of words (32-bit wide). The read command can start at any valid address in the memory plane. **This address must be word-aligned.** The address is automatically incremented.

**Table 20-22.** Read Command

| Read/Write | DR Data   |
|------------|---|
| Write      | (Number of Words to Read) << 16   READ            |
| Write      | Address   |
| Read       | Memory [address]                                  |
| Read       | Memory [address+4]                                |
| ...        | ...   |
| Read       | Memory [address+(Number of Words to Read - 1)* 4] |

## 20.3.4.2 Flash Write Command

This command is used to write the Flash contents. The address transmitted must be a valid Flash address in the memory plane.

The Flash memory plane is organized into several pages. Data to be written is stored in a load buffer that corresponds to a Flash memory page. The load buffer is automatically flushed to the Flash:

- before access to any page than the current one
- at the end of the number of words transmitted

The **Write Page** command (**WP**) is optimized for consecutive writes. Write handshaking can be chained; an internal address buffer is automatically increased.

**Table 20-23.** Write Command

| Read/Write | DR Data   |
|------------|---|
| Write      | (Number of Words to Write) << 16   (WP or WPL or EWP or EWPL) |
| Write      | Address   |
| Write      | Memory [address]  |
| Write      | Memory [address+4]  |
| Write      | Memory [address+8]  |
| Write      | Memory [address+(Number of Words to Write - 1)* 4]            |

Flash **Write Page and Lock** command (**WPL**) is equivalent to the Flash Write Command. However, the lock bit is automatically set at the end of the Flash write operation. As a lock region is composed of several pages, the programmer writes to the first pages of the lock region using Flash write commands and writes to the last page of the lock region using a Flash write and lock command.

Flash **Erase Page and Write** command (**EWP**) is equivalent to the Flash Write Command. However, before programming the load buffer, the page is erased.

Flash **Erase Page and Write the Lock** command (**EWPL**) combines EWP and WPL commands.

### 20.3.4.3 Flash Full Erase Command

This command is used to erase the Flash memory planes.

All lock bits must be deactivated before using the **Full Erase** command. This can be done by using the CLB command.

**Table 20-24.** Full Erase Command

| Read/Write | DR Data |
|------------|---------|
| Write      | EA      |

### 20.3.4.4 Flash Lock Commands

Lock bits can be set using WPL or EWPL commands. They can also be set by using the **Set Lock** command (**SLB**). With this command, several lock bits can be activated at the same time. Bit 0 of Bit Mask corresponds to the first lock bit and so on.

In the same way, the **Clear Lock** command (**CLB**) is used to clear lock bits. All the lock bits can also be cleared by the EA command.

**Table 20-25.** Set and Clear Lock Bit Command

| Read/Write | DR Data    |
|------------|------------|
| Write      | SLB or CLB |
| Write      | Bit Mask   |

Lock bits can be read using **Get Lock Bit** command (**GLB**). When a bit set in the Bit Mask is returned, then the corresponding lock bit is active.

**Table 20-26.** Get Lock Bit Command

| Read/Write | DR Data  |
|------------|----------|
| Write      | GLB      |
| Read       | Bit Mask |

### 20.3.4.5 Flash General-purpose NVM Commands

General-purpose NVM bits (GP NVM) can be set with the **Set GPNVM** command (**SGPB**). Using this command, several GP NVM bits can be activated at the same time. Bit 0 of Bit Mask corresponds to the first GPNVM bit and so on.

In the same way, the **Clear GPNVM** command (**CGPB**) is used to clear GP NVM bits. All the general-purpose NVM bits are also cleared by the EA command.

**Table 20-27.** Set and Clear General-purpose NVM Bit Command

| Read/Write | DR Data      |
|------------|--------------|
| Write      | SGPB or CGPB |
| Write      | Bit Mask     |

GP NVM bits can be read using **Get GPNVM Bit** command (**GGPB**). When a bit set in the Bit Mask is returned, then the corresponding GPNVM bit is set.

**Table 20-28.** Get General-purpose NVM Bit Command

| Read/Write | DR Data  |
|------------|----------|
| Write      | GGPB     |
| Read       | Bit Mask |

### 20.3.4.6 Flash Security Bit Command

Security bits can be set using **Set Security Bit** command (SSE). Once the security bit is active, the Fast Flash programming is disabled. No other command can be run. Only an event on the Erase pin can erase the security bit once the contents of the Flash have been erased.

The AT91SAM7S512 security bit is controlled by the EFC0. To use the **Set Security Bit** command, the EFC0 must be selected using the **Select EFC** command.

**Table 20-29.** Set Security Bit Command

| Read/Write | DR Data |
|------------|---------|
| Write      | SSE     |

Once the security bit is set, it is not possible to access FFPI. The only way to erase the security bit is to erase the Flash.

In order to erase the Flash, the user must perform the following:

- Power-off the chip
- Power-on the chip with TST = 0
- Assert Erase during a period of more than 220 ms
- Power-off the chip

Then it is possible to return to FFPI mode and check that Flash is erased.

### 20.3.4.7 AT91SAM7S512 Select EFC Command

The commands WPx, EA, xLB, xFB are executed using the current EFC controller. The default EFC controller is EFC0. The **Select EFC** command (SEFC) allows selection of the current EFC controller.

**Table 20-30.** Select EFC Command

| Step | Handshake Sequence | MODE[3:0] | DATA[15:0]                         |
|------|--------------------|-----------|------------------------------------|
| 1    | Write handshaking  | CMDE      | SEFC                               |
| 2    | Write handshaking  | DATA      | 0 = Select EFC0<br>1 = Select EFC1 |

### 20.3.4.8 Memory Write Command

This command is used to perform a write access to any memory location.

The **Memory Write** command (**WRAM**) is optimized for consecutive writes. An internal address buffer is automatically increased.

**Table 20-31.** Write Command

| Read/Write | DR Data  |
|------------|--|
| Write      | (Number of Words to Write) << 16   (WRAM)          |
| Write      | Address  |
| Write      | Memory [address]                                   |
| Write      | Memory [address+4]                                 |
| Write      | Memory [address+8]                                 |
| Write      | Memory [address+(Number of Words to Write - 1)* 4] |

### 20.3.4.9 Get Version Command

The **Get Version** (GVE) command retrieves the version of the FFPI interface.

**Table 20-32.** Get Version Command

| Read/Write | DR Data |
|------------|---------|
| Write      | GVE     |
| Read       | Version |

## 21. AT91SAM7 Boot Program

### 21.1 Description

The Boot Program integrates different programs permitting download and/or upload into the different memories of the product.

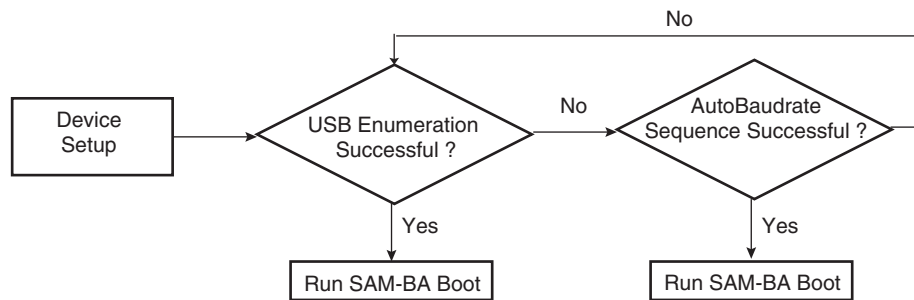
First, it initializes the Debug Unit serial port (DBGU) and the USB Device Port.

SAM-BA™ Boot is then executed. It waits for transactions either on the USB device or on the DBGU serial port.

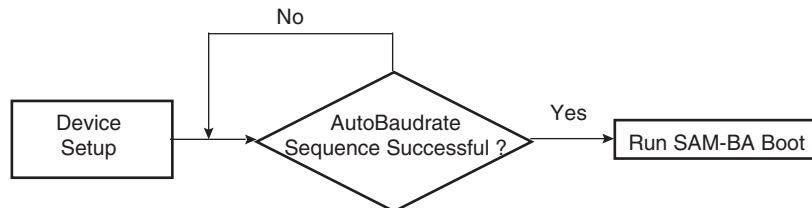
### 21.2 Flow Diagram

The Boot Program implements the algorithm shown in [Figure 21-1](#) or [Figure 21-2](#).

**Figure 21-1.** Boot Program Algorithm Flow Diagram with USB



**Figure 21-2.** Boot Program Algorithm Flow Diagram without USB



### 21.3 Device Initialization with USB

Initialization follows the steps described below:

1. FIQ initialization
1. Stack setup for ARM supervisor mode
2. Setup the Embedded Flash Controller
3. External Clock detection
4. Main oscillator frequency detection if no external clock detected
5. Switch Master Clock on Main Oscillator
6. Copy code into SRAM
7. C variable initialization
8. PLL setup: PLL is initialized to generate a 48 MHz clock necessary to use the USB Device
9. Disable of the Watchdog and enable of the user reset
10. Initialization of the USB Device Port
11. Jump to SAM-BA Boot sequence (see ["SAM-BA Boot" on page 143](#))

### 21.4 Device Initialization without USB

Initialization follows the steps described below:

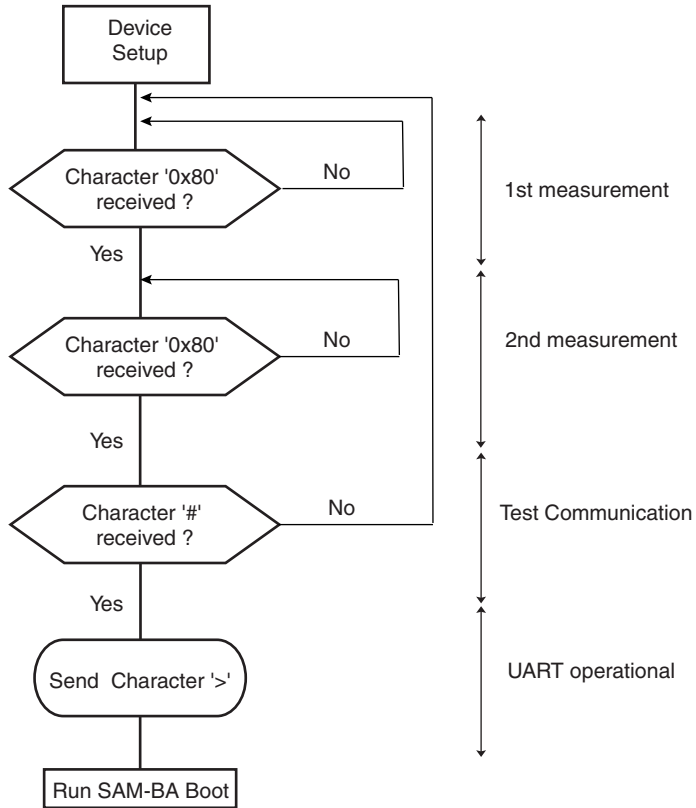
1. FIQ initialization
1. Stack setup for ARM supervisor mode
2. Setup the Embedded Flash Controller
3. External Clock detection
4. Main oscillator frequency detection if no external clock detected
5. Switch Master Clock on Main Oscillator
6. Copy code into SRAM
7. C variable initialization
8. PLL setup: PLL is initialized to generate a 48 MHz clock
9. Disable of the Watchdog and enable of the user reset
10. Jump to SAM-BA Boot sequence (see ["SAM-BA Boot" below](#))

## 21.5 SAM-BA Boot

The SAM-BA boot principle is to:

- Check if USB Device enumeration has occurred
- Check if the AutoBaudrate sequence has succeeded (see [Figure 21-3](#))

**Figure 21-3.** Auto Baudrate Flow Diagram



- Once the communication interface is identified, the application runs in an infinite loop waiting for different commands as shown in [Table 21-1](#).

**Table 21-1.** Commands Available through the SAM-BA Boot

| Command  | Action            | Argument(s)         | Example                  |
|----------|-------------------|---------------------|--------------------------|
| <b>O</b> | write a byte      | Address, Value#     | <b>O</b> 200001,CA#      |
| <b>o</b> | read a byte       | Address,#           | <b>o</b> 200001,#        |
| <b>H</b> | write a half word | Address, Value#     | <b>H</b> 200002,CAFE#    |
| <b>h</b> | read a half word  | Address,#           | <b>h</b> 200002,#        |
| <b>W</b> | write a word      | Address, Value#     | <b>W</b> 200000,CAFEDCA# |
| <b>w</b> | read a word       | Address,#           | <b>w</b> 200000,#        |
| <b>S</b> | send a file       | Address,#           | <b>S</b> 200000,#        |
| <b>R</b> | receive a file    | Address, NbOfBytes# | <b>R</b> 200000,1234#    |
| <b>G</b> | go                | Address#            | <b>G</b> 200200#         |
| <b>V</b> | display version   | No argument         | <b>V</b> #               |

- Write commands: Write a byte (**O**), a halfword (**H**) or a word (**W**) to the target.
  - *Address*: Address in hexadecimal.
  - *Value*: Byte, halfword or word to write in hexadecimal.
  - *Output*: '>'.
- Read commands: Read a byte (**o**), a halfword (**h**) or a word (**w**) from the target.
  - *Address*: Address in hexadecimal
  - *Output*: The byte, halfword or word read in hexadecimal following by '>'
- Send a file (**S**): Send a file to a specified address
  - *Address*: Address in hexadecimal
  - *Output*: '>'.

Note: There is a time-out on this command which is reached when the prompt '>' appears before the end of the command execution.

- Receive a file (**R**): Receive data into a file from a specified address
  - *Address*: Address in hexadecimal
  - *NbOfBytes*: Number of bytes in hexadecimal to receive
  - *Output*: '>'
- Go (**G**): Jump to a specified address and execute the code
  - *Address*: Address to jump in hexadecimal
  - *Output*: '>'
- Get Version (**V**): Return the SAM-BA boot version
  - *Output*: '>'



## 21.5.1 DBGU Serial Port

Communication is performed through the DBGU serial port initialized to 115200 Baud, 8, n, 1.

The Send and Receive File commands use the Xmodem protocol to communicate. Any terminal performing this protocol can be used to send the application file to the target. The size of the binary file to send depends on the SRAM size embedded in the product. In all cases, the size of the binary file must be lower than the SRAM size because the Xmodem protocol requires some SRAM memory to work.

## 21.5.2 Xmodem Protocol

The Xmodem protocol supported is the 128-byte length block. This protocol uses a two-character CRC-16 to guarantee detection of a maximum bit error.

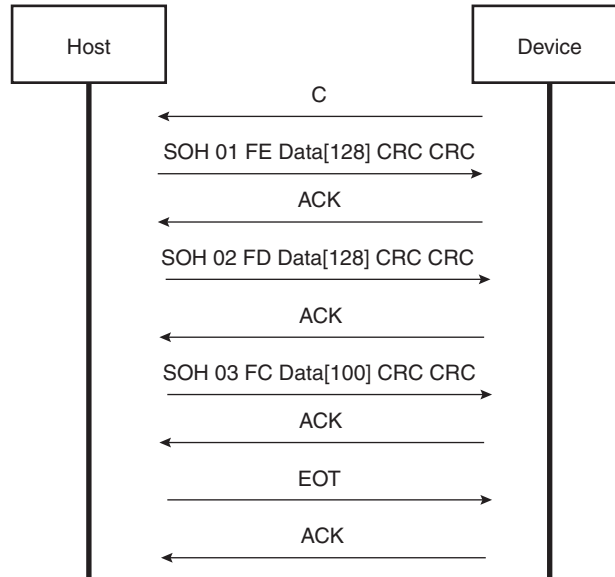
Xmodem protocol with CRC is accurate provided both sender and receiver report successful transmission. Each block of the transfer looks like:

<SOH><blk #><255-blk #><--128 data bytes--><checksum> in which:

- <SOH> = 01 hex
- <blk #> = binary number, starts at 01, increments by 1, and wraps 0FFH to 00H (not to 01)
- <255-blk #> = 1's complement of the blk#.
- <checksum> = 2 bytes CRC16

Figure 21-4 shows a transmission using this protocol.

**Figure 21-4.** Xmodem Transfer Example





### 21.5.3 USB Device Port

A 48 MHz USB clock is necessary to use the USB Device port. It has been programmed earlier in the device initialization procedure with PLLB configuration.

The device uses the USB communication device class (CDC) drivers to take advantage of the installed PC RS-232 software to talk over the USB. The CDC class is implemented in all releases of Windows®, from Windows98SE to WindowsXP. The CDC document, available at [www.usb.org](http://www.usb.org), describes a way to implement devices such as ISDN modems and virtual COM ports.

The Vendor ID is Atmel's vendor ID 0x03EB. The product ID is 0x6124. These references are used by the host operating system to mount the correct driver. On Windows systems, the INF files contain the correspondence between vendor ID and product ID.

#### 21.5.3.1 Enumeration Process

The USB protocol is a master/slave protocol. This is the host that starts the enumeration sending requests to the device through the control endpoint. The device handles standard requests as defined in the USB Specification.

**Table 21-2.** Handled Standard Requests

| Request           | Definition  |
|-------------------|---|
| GET_DESCRIPTOR    | Returns the current device configuration value.       |
| SET_ADDRESS       | Sets the device address for all future device access. |
| SET_CONFIGURATION | Sets the device configuration.                        |
| GET_CONFIGURATION | Returns the current device configuration value.       |
| GET_STATUS        | Returns status for the specified recipient.           |
| SET_FEATURE       | Used to set or enable a specific feature.             |
| CLEAR_FEATURE     | Used to clear or disable a specific feature.          |

The device also handles some class requests defined in the CDC class.

**Table 21-3.** Handled Class Requests

| Request                | Definition   |
|------------------------|--|
| SET_LINE_CODING        | Configures DTE rate, stop bits, parity and number of character bits.       |
| GET_LINE_CODING        | Requests current DTE rate, stop bits, parity and number of character bits. |
| SET_CONTROL_LINE_STATE | RS-232 signal used to tell the DCE device the DTE device is now present.   |

Unhandled requests are STALLED.

## 21.5.3.2 *Communication Endpoints*

There are two communication endpoints and endpoint 0 is used for the enumeration process. Endpoint 1 is a 64-byte Bulk OUT endpoint and endpoint 2 is a 64-byte Bulk IN endpoint. SAM-BA Boot commands are sent by the host through the endpoint 1. If required, the message is split by the host into several data payloads by the host driver.

If the command requires a response, the host can send IN transactions to pick up the response.

## 21.6 Hardware and Software Constraints

- SAM-BA boot copies itself in the SRAM and uses a block of internal SRAM for variables and stacks. The remaining available sizes for the user codes are as follows: 57344 bytes for AT91SAM7S512, 57344 bytes for AT91SAM7S256, 24576 bytes for AT91SAM7S128, 8192 bytes for AT91SAM7S64, 2048 bytes for AT91SAM7S321 and AT91SAM7S32, 3840 bytes for AT91SAM7S161 and AT91SAM7S16.
- USB requirements: (Does not pertain to AT91SAM7S32/16)
  - 18.432 MHz Quartz
  - PIOA16 dedicated to the USB Pull-up

**Table 21-4.** User Area Addresses

| Device       | Start Address | End Address | Size (bytes) |
|--------------|---------------|-------------|--------------|
| AT91SAM7S512 | 0x202000      | 0x210000    | 57344        |
| AT91SAM7S256 | 0x202000      | 0x210000    | 57344        |
| AT91SAM7S128 | 0x202000      | 0x208000    | 24576        |
| AT91SAM7S64  | 0x202000      | 0x204000    | 8192         |
| AT91SAM7S321 | 0x202000      | 0x210000    | 2048         |
| AT91SAM7S32  | 0x201400      | 0x201C00    | 2048         |
| AT91SAM7S161 | 0x200000      | 0200F00     | 3840         |
| AT91SAM7S16  | 0x200000      | 0200F00     | 3840         |

**Table 21-5.** Pins Driven during Boot Program Execution

| Peripheral | Pin  | PIO Line |
|------------|------|----------|
| DBGU       | DRXD | PA9      |
| DBGU       | DTXD | PA10     |

## 22. Peripheral DMA Controller (PDC)

### 22.1 Overview

The Peripheral DMA Controller (PDC) transfers data between on-chip serial peripherals such as the UART, USART, SSC, SPI, MCI and the on- and off-chip memories. Using the Peripheral DMA Controller avoids processor intervention and removes the processor interrupt-handling overhead. This significantly reduces the number of clock cycles required for a data transfer and, as a result, improves the performance of the microcontroller and makes it more power efficient.

The PDC channels are implemented in pairs, each pair being dedicated to a particular peripheral. One channel in the pair is dedicated to the receiving channel and one to the transmitting channel of each UART, USART, SSC and SPI.

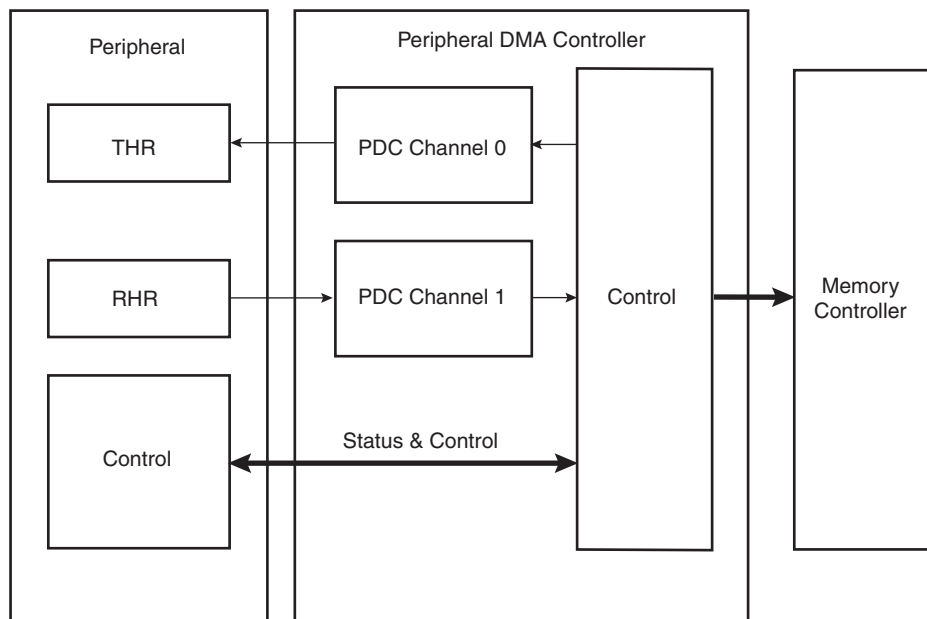
The user interface of a PDC channel is integrated in the memory space of each peripheral. It contains:

- two 32-bit memory pointer registers (send and receive)
- two 16-bit transfer count registers (send and receive)
- two 32-bit registers for next memory pointer (send and receive)
- two 16-bit registers for next transfer count (send and receive)

The peripheral triggers PDC transfers using transmit and receive signals. When the programmed data is transferred, an end of transfer interrupt is generated by the corresponding peripheral.

### 22.2 Block Diagram

Figure 22-1. Block Diagram



## 22.3 Functional Description

### 22.3.1 Configuration

The PDC channels user interface enables the user to configure and control the data transfers for each channel. The user interface of a PDC channel is integrated into the user interface of the peripheral (offset 0x100), which it is related to.

Per peripheral, it contains four 32-bit Pointer Registers (RPR, RNPR, TPR, and TNPR) and four 16-bit Counter Registers (RCR, RNCR, TCR, and TNCR).

The size of the buffer (number of transfers) is configured in an internal 16-bit transfer counter register, and it is possible, at any moment, to read the number of transfers left for each channel.

The memory base address is configured in a 32-bit memory pointer by defining the location of the first address to access in the memory. It is possible, at any moment, to read the location in memory of the next transfer and the number of remaining transfers. The PDC has dedicated status registers which indicate if the transfer is enabled or disabled for each channel. The status for each channel is located in the peripheral status register. Transfers can be enabled and/or disabled by setting TXTEN/TXTDIS and RXTEN/RXTDIS in PDC Transfer Control Register. These control bits enable reading the pointer and counter registers safely without any risk of their changing between both reads.

The PDC sends status flags to the peripheral visible in its status-register (ENDRX, ENDTX, RXBUFF, and TXBUFE).

ENDRX flag is set when the PERIPH\_RCR register reaches zero.

RXBUFF flag is set when both PERIPH\_RCR and PERIPH\_RNCR reach zero.

ENDTX flag is set when the PERIPH\_TCR register reaches zero.

TXBUFE flag is set when both PERIPH\_TCR and PERIPH\_TNCR reach zero.

These status flags are described in the peripheral status register.

### 22.3.2 Memory Pointers

Each peripheral is connected to the PDC by a receiver data channel and a transmitter data channel. Each channel has an internal 32-bit memory pointer. Each memory pointer points to a location anywhere in the memory space (on-chip memory or external bus interface memory).

Depending on the type of transfer (byte, half-word or word), the memory pointer is incremented by 1, 2 or 4, respectively for peripheral transfers.

If a memory pointer is reprogrammed while the PDC is in operation, the transfer address is changed, and the PDC performs transfers using the new address.

### 22.3.3 Transfer Counters

There is one internal 16-bit transfer counter for each channel used to count the size of the block already transferred by its associated channel. These counters are decremented after each data transfer. When the counter reaches zero, the transfer is complete and the PDC stops transferring data.

If the Next Counter Register is equal to zero, the PDC disables the trigger while activating the related peripheral end flag.

If the counter is reprogrammed while the PDC is operating, the number of transfers is updated and the PDC counts transfers from the new value.

Programming the Next Counter/Pointer registers chains the buffers. The counters are decremented after each data transfer as stated above, but when the transfer counter reaches zero, the values of the Next Counter/Pointer are loaded into the Counter/Pointer registers in order to re-enable the triggers.

For each channel, two status bits indicate the end of the current buffer (ENDRX, ENDTX) and the end of both current and next buffer (RXBUFF, TXBUFE). These bits are directly mapped to the peripheral status register and can trigger an interrupt request to the AIC.

The peripheral end flag is automatically cleared when one of the counter-registers (Counter or Next Counter Register) is written.

Note: When the Next Counter Register is loaded into the Counter Register, it is set to zero.

#### 22.3.4 Data Transfers

The peripheral triggers PDC transfers using transmit (TXRDY) and receive (RXRDY) signals.

When the peripheral receives an external character, it sends a Receive Ready signal to the PDC which then requests access to the system bus. When access is granted, the PDC starts a read of the peripheral Receive Holding Register (RHR) and then triggers a write in the memory.

After each transfer, the relevant PDC memory pointer is incremented and the number of transfers left is decremented. When the memory block size is reached, a signal is sent to the peripheral and the transfer stops.

The same procedure is followed, in reverse, for transmit transfers.

#### 22.3.5 Priority of PDC Transfer Requests

The Peripheral DMA Controller handles transfer requests from the channel according to priorities fixed for each product. These priorities are defined in the product datasheet.

If simultaneous requests of the same type (receiver or transmitter) occur on identical peripherals, the priority is determined by the numbering of the peripherals.

If transfer requests are not simultaneous, they are treated in the order they occurred. Requests from the receivers are handled first and then followed by transmitter requests.

## 22.4 Peripheral DMA Controller (PDC) User Interface

**Table 22-1.** Register Mapping

| Offset | Register                       | Register Name              | Access     | Reset |
|--------|--------------------------------|----------------------------|------------|-------|
| 0x100  | Receive Pointer Register       | PERIPH <sup>(1)</sup> _RPR | Read-write | 0x0   |
| 0x104  | Receive Counter Register       | PERIPH_RCR                 | Read-write | 0x0   |
| 0x108  | Transmit Pointer Register      | PERIPH_TPR                 | Read-write | 0x0   |
| 0x10C  | Transmit Counter Register      | PERIPH_TCR                 | Read-write | 0x0   |
| 0x110  | Receive Next Pointer Register  | PERIPH_RNPR                | Read-write | 0x0   |
| 0x114  | Receive Next Counter Register  | PERIPH_RNCR                | Read-write | 0x0   |
| 0x118  | Transmit Next Pointer Register | PERIPH_TNPR                | Read-write | 0x0   |
| 0x11C  | Transmit Next Counter Register | PERIPH_TNCR                | Read-write | 0x0   |
| 0x120  | PDC Transfer Control Register  | PERIPH_PTCR                | Write-only | -     |
| 0x124  | PDC Transfer Status Register   | PERIPH_PTSR                | Read-only  | 0x0   |

Note: 1. PERIPH: Ten registers are mapped in the peripheral memory space at the same offset. These can be defined by the user according to the function and the peripheral desired (DBGU, USART, SSC, SPI, MCI etc).



## 22.4.1 PDC Receive Pointer Register

**Register Name:** PERIPH\_RPR

**Access Type:** Read-write

|       |    |    |    |    |    |    |    |
|-------|----|----|----|----|----|----|----|
| 31    | 30 | 29 | 28 | 27 | 26 | 25 | 24 |
| RXPTR |    |    |    |    |    |    |    |
| 23    | 22 | 21 | 20 | 19 | 18 | 17 | 16 |
| RXPTR |    |    |    |    |    |    |    |
| 15    | 14 | 13 | 12 | 11 | 10 | 9  | 8  |
| RXPTR |    |    |    |    |    |    |    |
| 7     | 6  | 5  | 4  | 3  | 2  | 1  | 0  |
| RXPTR |    |    |    |    |    |    |    |

- **RXPTR: Receive Pointer Address**

Address of the next receive transfer.

## 22.4.2 PDC Receive Counter Register

**Register Name:** PERIPH\_RCR

**Access Type:** Read-write

|       |    |    |    |    |    |    |    |
|-------|----|----|----|----|----|----|----|
| 31    | 30 | 29 | 28 | 27 | 26 | 25 | 24 |
| --    |    |    |    |    |    |    |    |
| 23    | 22 | 21 | 20 | 19 | 18 | 17 | 16 |
| --    |    |    |    |    |    |    |    |
| 15    | 14 | 13 | 12 | 11 | 10 | 9  | 8  |
| RXCTR |    |    |    |    |    |    |    |
| 7     | 6  | 5  | 4  | 3  | 2  | 1  | 0  |
| RXCTR |    |    |    |    |    |    |    |

- **RXCTR: Receive Counter Value**

Number of receive transfers to be performed.

### 22.4.3 PDC Transmit Pointer Register

**Register Name:** PERIPH\_TPR

**Access Type:** Read-write

|       |    |    |    |    |    |    |    |
|-------|----|----|----|----|----|----|----|
| 31    | 30 | 29 | 28 | 27 | 26 | 25 | 24 |
| TXPTR |    |    |    |    |    |    |    |
| 23    | 22 | 21 | 20 | 19 | 18 | 17 | 16 |
| TXPTR |    |    |    |    |    |    |    |
| 15    | 14 | 13 | 12 | 11 | 10 | 9  | 8  |
| TXPTR |    |    |    |    |    |    |    |
| 7     | 6  | 5  | 4  | 3  | 2  | 1  | 0  |
| TXPTR |    |    |    |    |    |    |    |

- **TXPTR: Transmit Pointer Address**

Address of the transmit buffer.

### 22.4.4 PDC Transmit Counter Register

**Register Name:** PERIPH\_TCR

**Access Type:** Read-write

|       |    |    |    |    |    |    |    |
|-------|----|----|----|----|----|----|----|
| 31    | 30 | 29 | 28 | 27 | 26 | 25 | 24 |
| --    |    |    |    |    |    |    |    |
| 23    | 22 | 21 | 20 | 19 | 18 | 17 | 16 |
| --    |    |    |    |    |    |    |    |
| 15    | 14 | 13 | 12 | 11 | 10 | 9  | 8  |
| TXCTR |    |    |    |    |    |    |    |
| 7     | 6  | 5  | 4  | 3  | 2  | 1  | 0  |
| TXCTR |    |    |    |    |    |    |    |

- **TXCTR: Transmit Counter Value**

TXCTR is the size of the transmit transfer to be performed. At zero, the peripheral data transfer is stopped.

## 22.4.5 PDC Receive Next Pointer Register

**Register Name:** PERIPH\_RNPR

**Access Type:** Read-write

|        |    |    |    |    |    |    |    |
|--------|----|----|----|----|----|----|----|
| 31     | 30 | 29 | 28 | 27 | 26 | 25 | 24 |
| RXNPTR |    |    |    |    |    |    |    |
| 23     | 22 | 21 | 20 | 19 | 18 | 17 | 16 |
| RXNPTR |    |    |    |    |    |    |    |
| 15     | 14 | 13 | 12 | 11 | 10 | 9  | 8  |
| RXNPTR |    |    |    |    |    |    |    |
| 7      | 6  | 5  | 4  | 3  | 2  | 1  | 0  |
| RXNPTR |    |    |    |    |    |    |    |

- **RXNPTR: Receive Next Pointer Address**

RXNPTR is the address of the next buffer to fill with received data when the current buffer is full.

## 22.4.6 PDC Receive Next Counter Register

**Register Name:** PERIPH\_RNCR

**Access Type:** Read-write

|       |    |    |    |    |    |    |    |
|-------|----|----|----|----|----|----|----|
| 31    | 30 | 29 | 28 | 27 | 26 | 25 | 24 |
| --    |    |    |    |    |    |    |    |
| 23    | 22 | 21 | 20 | 19 | 18 | 17 | 16 |
| --    |    |    |    |    |    |    |    |
| 15    | 14 | 13 | 12 | 11 | 10 | 9  | 8  |
| RXNCR |    |    |    |    |    |    |    |
| 7     | 6  | 5  | 4  | 3  | 2  | 1  | 0  |
| RXNCR |    |    |    |    |    |    |    |

- **RXNCR: Receive Next Counter Value**

RXNCR is the size of the next buffer to receive.

### 22.4.7 PDC Transmit Next Pointer Register

**Register Name:** PERIPH\_TNPR

**Access Type:** Read-write

|        |    |    |    |    |    |    |    |
|--------|----|----|----|----|----|----|----|
| 31     | 30 | 29 | 28 | 27 | 26 | 25 | 24 |
| TXNPTR |    |    |    |    |    |    |    |
| 23     | 22 | 21 | 20 | 19 | 18 | 17 | 16 |
| TXNPTR |    |    |    |    |    |    |    |
| 15     | 14 | 13 | 12 | 11 | 10 | 9  | 8  |
| TXNPTR |    |    |    |    |    |    |    |
| 7      | 6  | 5  | 4  | 3  | 2  | 1  | 0  |
| TXNPTR |    |    |    |    |    |    |    |

- **TXNPTR: Transmit Next Pointer Address**

TXNPTR is the address of the next buffer to transmit when the current buffer is empty.

### 22.4.8 PDC Transmit Next Counter Register

**Register Name:** PERIPH\_TNCR

**Access Type:** Read-write

|       |    |    |    |    |    |    |    |
|-------|----|----|----|----|----|----|----|
| 31    | 30 | 29 | 28 | 27 | 26 | 25 | 24 |
| --    |    |    |    |    |    |    |    |
| 23    | 22 | 21 | 20 | 19 | 18 | 17 | 16 |
| --    |    |    |    |    |    |    |    |
| 15    | 14 | 13 | 12 | 11 | 10 | 9  | 8  |
| TXNCR |    |    |    |    |    |    |    |
| 7     | 6  | 5  | 4  | 3  | 2  | 1  | 0  |
| TXNCR |    |    |    |    |    |    |    |

- **TXNCR: Transmit Next Counter Value**

TXNCR is the size of the next buffer to transmit.

## 22.4.9 PDC Transfer Control Register

**Register Name:** PERIPH\_PTCR

**Access Type:** Write-only

|    |    |    |    |    |    |        |       |
|----|----|----|----|----|----|--------|-------|
| 31 | 30 | 29 | 28 | 27 | 26 | 25     | 24    |
| –  | –  | –  | –  | –  | –  | –      | –     |
| 23 | 22 | 21 | 20 | 19 | 18 | 17     | 16    |
| –  | –  | –  | –  | –  | –  | –      | –     |
| 15 | 14 | 13 | 12 | 11 | 10 | 9      | 8     |
| –  | –  | –  | –  | –  | –  | TXTDIS | TXTEN |
| 7  | 6  | 5  | 4  | 3  | 2  | 1      | 0     |
| –  | –  | –  | –  | –  | –  | RXTDIS | RXTEN |

- **RXTEN: Receiver Transfer Enable**

0 = No effect.

1 = Enables the receiver PDC transfer requests if RXTDIS is not set.

- **RXTDIS: Receiver Transfer Disable**

0 = No effect.

1 = Disables the receiver PDC transfer requests.

- **TXTEN: Transmitter Transfer Enable**

0 = No effect.

1 = Enables the transmitter PDC transfer requests.

- **TXTDIS: Transmitter Transfer Disable**

0 = No effect.

1 = Disables the transmitter PDC transfer requests

### 22.4.10 PDC Transfer Status Register

**Register Name:** PERIPH\_PTSR

**Access Type:** Read-only

|    |    |    |    |    |    |    |       |
|----|----|----|----|----|----|----|-------|
| 31 | 30 | 29 | 28 | 27 | 26 | 25 | 24    |
| –  | –  | –  | –  | –  | –  | –  | –     |
| 23 | 22 | 21 | 20 | 19 | 18 | 17 | 16    |
| –  | –  | –  | –  | –  | –  | –  | –     |
| 15 | 14 | 13 | 12 | 11 | 10 | 9  | 8     |
| –  | –  | –  | –  | –  | –  | –  | TXTEN |
| 7  | 6  | 5  | 4  | 3  | 2  | 1  | 0     |
| –  | –  | –  | –  | –  | –  | –  | RXTEN |

- **RXTEN: Receiver Transfer Enable**

0 = Receiver PDC transfer requests are disabled.

1 = Receiver PDC transfer requests are enabled.

- **TXTEN: Transmitter Transfer Enable**

0 = Transmitter PDC transfer requests are disabled.

1 = Transmitter PDC transfer requests are enabled.

## 23. Advanced Interrupt Controller (AIC)

### 23.1 Overview

The Advanced Interrupt Controller (AIC) is an 8-level priority, individually maskable, vectored interrupt controller, providing handling of up to thirty-two interrupt sources. It is designed to substantially reduce the software and real-time overhead in handling internal and external interrupts.

The AIC drives the nFIQ (fast interrupt request) and the nIRQ (standard interrupt request) inputs of an ARM processor. Inputs of the AIC are either internal peripheral interrupts or external interrupts coming from the product's pins.

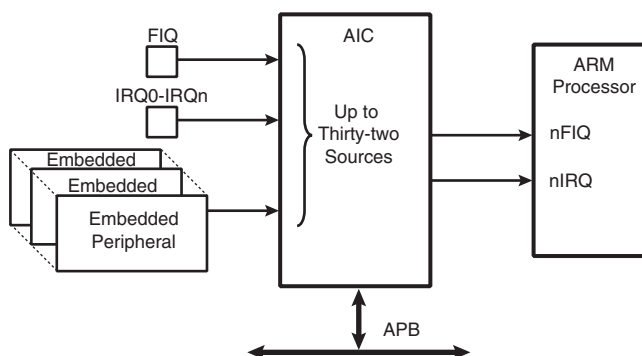
The 8-level Priority Controller allows the user to define the priority for each interrupt source, thus permitting higher priority interrupts to be serviced even if a lower priority interrupt is being treated.

Internal interrupt sources can be programmed to be level sensitive or edge triggered. External interrupt sources can be programmed to be positive-edge or negative-edge triggered or high-level or low-level sensitive.

The fast forcing feature redirects any internal or external interrupt source to provide a fast interrupt rather than a normal interrupt.

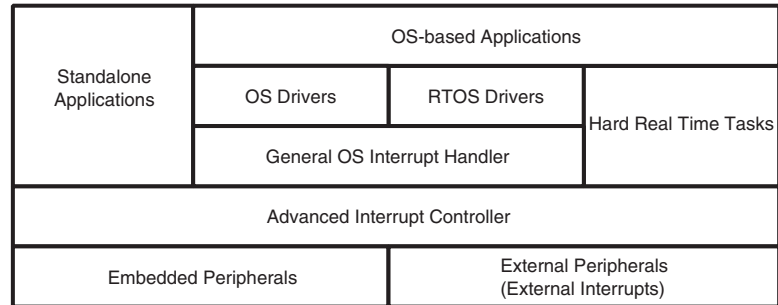
### 23.2 Block Diagram

Figure 23-1. Block Diagram



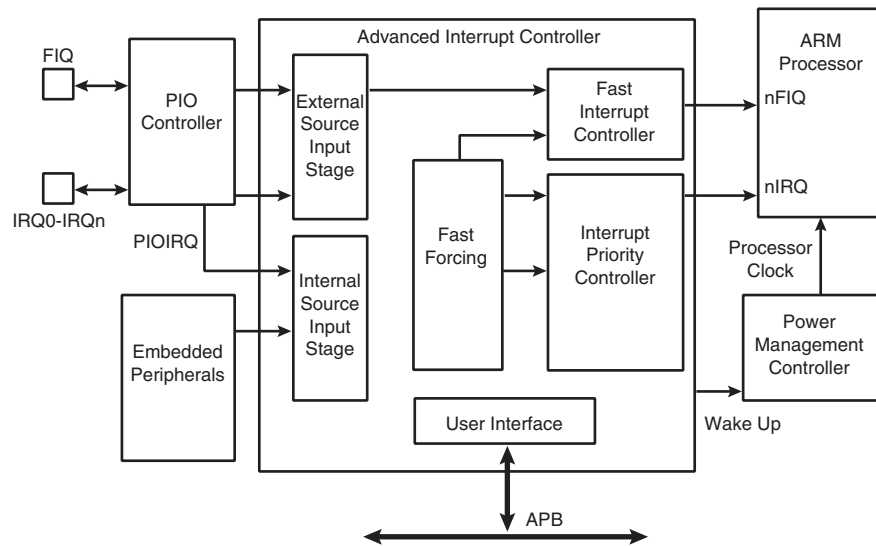
### 23.3 Application Block Diagram

Figure 23-2. Description of the Application Block



### 23.4 AIC Detailed Block Diagram

Figure 23-3. AIC Detailed Block Diagram



### 23.5 I/O Line Description

Table 23-1. I/O Line Description

| Pin Name    | Pin Description           | Type  |
|-------------|---------------------------|-------|
| FIQ         | Fast Interrupt            | Input |
| IRQ0 - IRQn | Interrupt 0 - Interrupt n | Input |



## 23.6 Product Dependencies

### 23.6.1 I/O Lines

The interrupt signals FIQ and IRQ0 to IRQn are normally multiplexed through the PIO controllers. Depending on the features of the PIO controller used in the product, the pins must be programmed in accordance with their assigned interrupt function. This is not applicable when the PIO controller used in the product is transparent on the input path.

### 23.6.2 Power Management

The Advanced Interrupt Controller is continuously clocked. The Power Management Controller has no effect on the Advanced Interrupt Controller behavior.

The assertion of the Advanced Interrupt Controller outputs, either nIRQ or nFIQ, wakes up the ARM processor while it is in Idle Mode. The General Interrupt Mask feature enables the AIC to wake up the processor without asserting the interrupt line of the processor, thus providing synchronization of the processor on an event.

### 23.6.3 Interrupt Sources

The Interrupt Source 0 is always located at FIQ. If the product does not feature an FIQ pin, the Interrupt Source 0 cannot be used.

The Interrupt Source 1 is always located at System Interrupt. This is the result of the OR-wiring of the system peripheral interrupt lines, such as the System Timer, the Real Time Clock, the Power Management Controller and the Memory Controller. When a system interrupt occurs, the service routine must first distinguish the cause of the interrupt. This is performed by reading successively the status registers of the above mentioned system peripherals.

The interrupt sources 2 to 31 can either be connected to the interrupt outputs of an embedded user peripheral or to external interrupt lines. The external interrupt lines can be connected directly, or through the PIO Controller.

The PIO Controllers are considered as user peripherals in the scope of interrupt handling. Accordingly, the PIO Controller interrupt lines are connected to the Interrupt Sources 2 to 31.

The peripheral identification defined at the product level corresponds to the interrupt source number (as well as the bit number controlling the clock of the peripheral). Consequently, to simplify the description of the functional operations and the user interface, the interrupt sources are named FIQ, SYS, and PID2 to PID31.

## 23.7 Functional Description

### 23.7.1 Interrupt Source Control

#### 23.7.1.1 *Interrupt Source Mode*

The Advanced Interrupt Controller independently programs each interrupt source. The SRC-TYPE field of the corresponding AIC\_SMR (Source Mode Register) selects the interrupt condition of each source.

The internal interrupt sources wired on the interrupt outputs of the embedded peripherals can be programmed either in level-sensitive mode or in edge-triggered mode. The active level of the internal interrupts is not important for the user.

The external interrupt sources can be programmed either in high level-sensitive or low level-sensitive modes, or in positive edge-triggered or negative edge-triggered modes.

#### 23.7.1.2 *Interrupt Source Enabling*

Each interrupt source, including the FIQ in source 0, can be enabled or disabled by using the command registers; AIC\_IECR (Interrupt Enable Command Register) and AIC\_IDCR (Interrupt Disable Command Register). This set of registers conducts enabling or disabling in one instruction. The interrupt mask can be read in the AIC\_IMR register. A disabled interrupt does not affect servicing of other interrupts.

#### 23.7.1.3 *Interrupt Clearing and Setting*

All interrupt sources programmed to be edge-triggered (including the FIQ in source 0) can be individually set or cleared by writing respectively the AIC\_ISCR and AIC\_ICCR registers. Clearing or setting interrupt sources programmed in level-sensitive mode has no effect.

The clear operation is perfunctory, as the software must perform an action to reinitialize the “memorization” circuitry activated when the source is programmed in edge-triggered mode. However, the set operation is available for auto-test or software debug purposes. It can also be used to execute an AIC-implementation of a software interrupt.

The AIC features an automatic clear of the current interrupt when the AIC\_IVR (Interrupt Vector Register) is read. Only the interrupt source being detected by the AIC as the current interrupt is affected by this operation. (See “Priority Controller” on page 166.) The automatic clear reduces the operations required by the interrupt service routine entry code to reading the AIC\_IVR. Note that the automatic interrupt clear is disabled if the interrupt source has the Fast Forcing feature enabled as it is considered uniquely as a FIQ source. (For further details, See “Fast Forcing” on page 170.)

The automatic clear of the interrupt source 0 is performed when AIC\_FVR is read.

#### 23.7.1.4 *Interrupt Status*

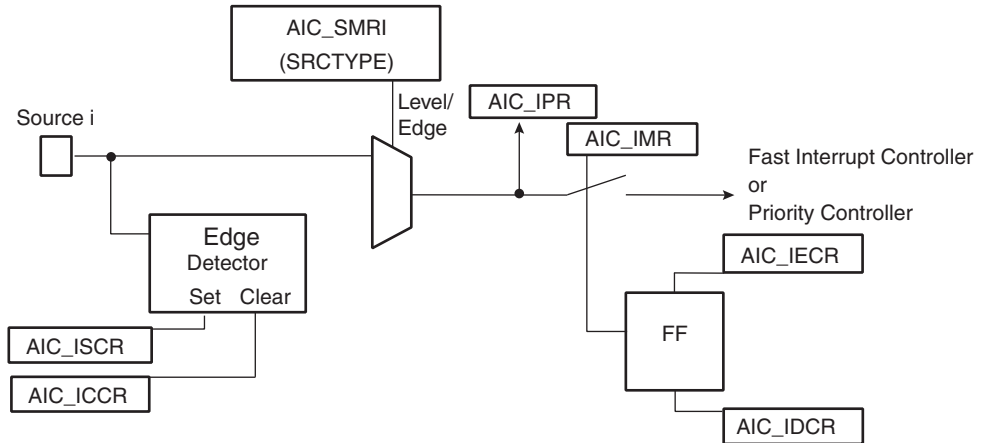
For each interrupt, the AIC operation originates in AIC\_IPR (Interrupt Pending Register) and its mask in AIC\_IMR (Interrupt Mask Register). AIC\_IPR enables the actual activity of the sources, whether masked or not.

The AIC\_ISR register reads the number of the current interrupt (see “Priority Controller” on page 166) and the register AIC\_CISR gives an image of the signals nIRQ and nFIQ driven on the processor.

Each status referred to above can be used to optimize the interrupt handling of the systems.

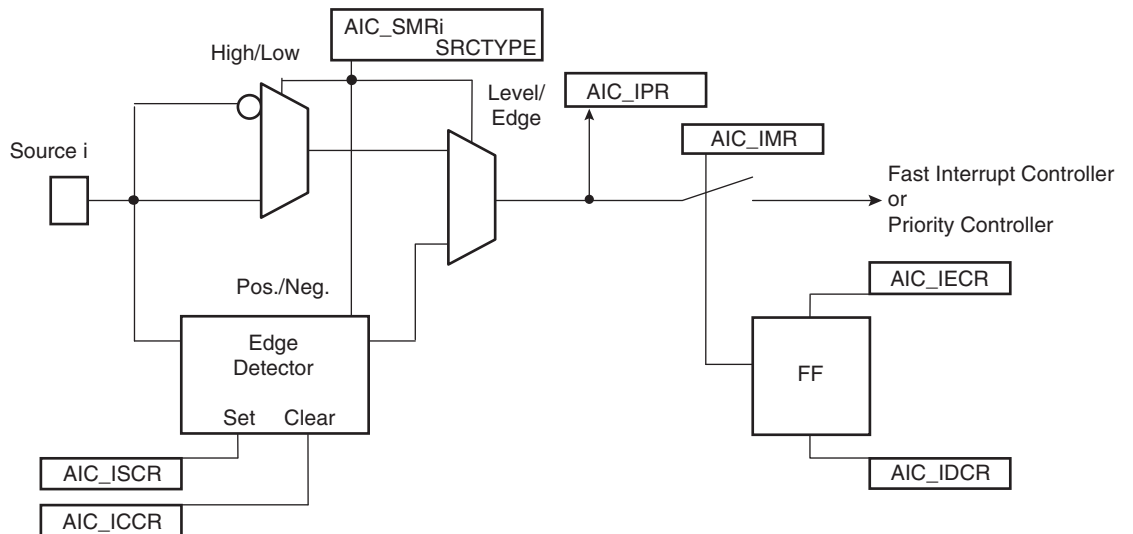
## 23.7.1.5 Internal Interrupt Source Input Stage

**Figure 23-4.** Internal Interrupt Source Input Stage



## 23.7.1.6 External Interrupt Source Input Stage

**Figure 23-5.** External Interrupt Source Input Stage



## 23.7.2 Interrupt Latencies

Global interrupt latencies depend on several parameters, including:

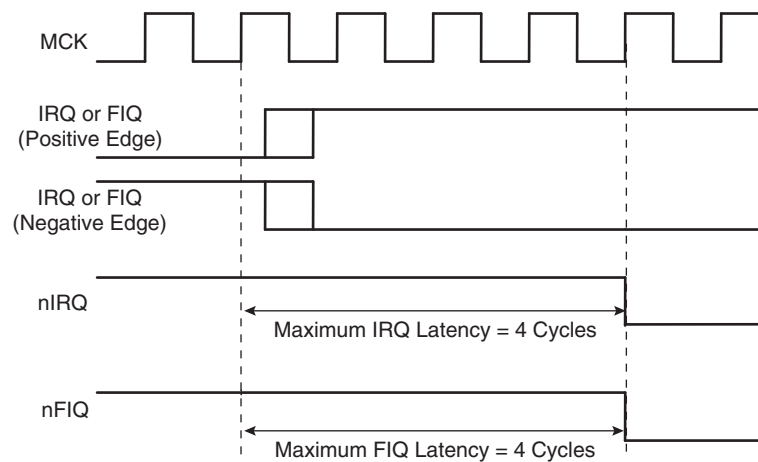
- The time the software masks the interrupts.
- Occurrence, either at the processor level or at the AIC level.
- The execution time of the instruction in progress when the interrupt occurs.
- The treatment of higher priority interrupts and the resynchronization of the hardware signals.

This section addresses only the hardware resynchronizations. It gives details of the latency times between the event on an external interrupt leading in a valid interrupt (edge or level) or the assertion of an internal interrupt source and the assertion of the nIRQ or nFIQ line on the processor. The resynchronization time depends on the programming of the interrupt source and on its type (internal or external). For the standard interrupt, resynchronization times are given assuming there is no higher priority in progress.

The PIO Controller multiplexing has no effect on the interrupt latencies of the external interrupt sources.

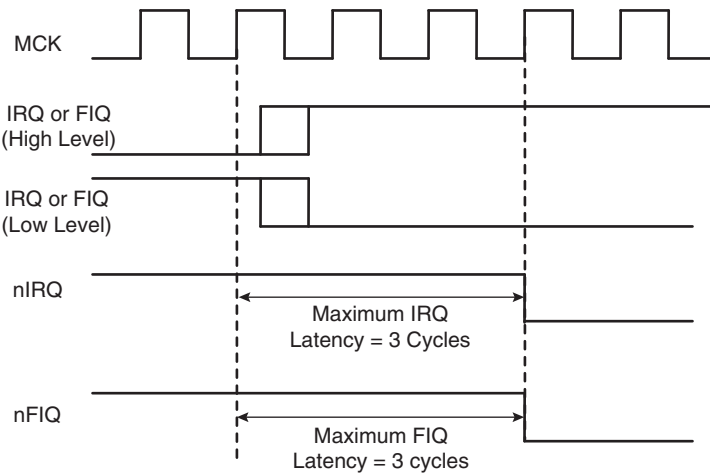
### 23.7.2.1 External Interrupt Edge Triggered Source

**Figure 23-6.** External Interrupt Edge Triggered Source



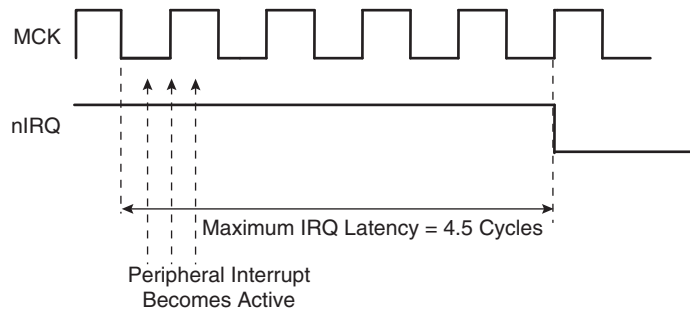
## 23.7.2.2 External Interrupt Level Sensitive Source

**Figure 23-7.** External Interrupt Level Sensitive Source



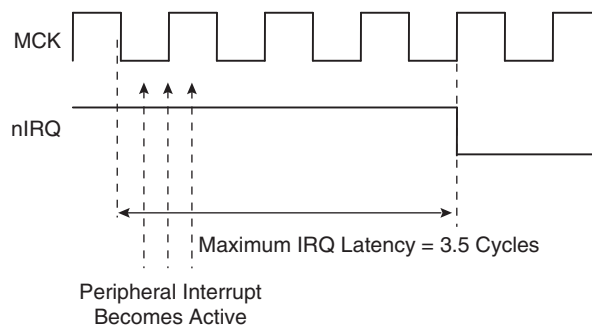
## 23.7.2.3 Internal Interrupt Edge Triggered Source

**Figure 23-8.** Internal Interrupt Edge Triggered Source



## 23.7.2.4 Internal Interrupt Level Sensitive Source

**Figure 23-9.** Internal Interrupt Level Sensitive Source



## 23.7.3 Normal Interrupt

### 23.7.3.1 Priority Controller

An 8-level priority controller drives the nIRQ line of the processor, depending on the interrupt conditions occurring on the interrupt sources 1 to 31 (except for those programmed in Fast Forcing).

Each interrupt source has a programmable priority level of 7 to 0, which is user-definable by writing the PRIOR field of the corresponding AIC\_SMR (Source Mode Register). Level 7 is the highest priority and level 0 the lowest.

As soon as an interrupt condition occurs, as defined by the SRCTYPE field of the AIC\_SMR (Source Mode Register), the nIRQ line is asserted. As a new interrupt condition might have happened on other interrupt sources since the nIRQ has been asserted, the priority controller determines the current interrupt at the time the AIC\_IVR (Interrupt Vector Register) is read. **The read of AIC\_IVR is the entry point of the interrupt handling** which allows the AIC to consider that the interrupt has been taken into account by the software.

The current priority level is defined as the priority level of the current interrupt.

If several interrupt sources of equal priority are pending and enabled when the AIC\_IVR is read, the interrupt with the lowest interrupt source number is serviced first.

The nIRQ line can be asserted only if an interrupt condition occurs on an interrupt source with a higher priority. If an interrupt condition happens (or is pending) during the interrupt treatment in progress, it is delayed until the software indicates to the AIC the end of the current service by writing the AIC\_EOICR (End of Interrupt Command Register). **The write of AIC\_EOICR is the exit point of the interrupt handling.**

### 23.7.3.2 Interrupt Nesting

The priority controller utilizes interrupt nesting in order for the high priority interrupt to be handled during the service of lower priority interrupts. This requires the interrupt service routines of the lower interrupts to re-enable the interrupt at the processor level.

When an interrupt of a higher priority happens during an already occurring interrupt service routine, the nIRQ line is re-asserted. If the interrupt is enabled at the core level, the current execution is interrupted and the new interrupt service routine should read the AIC\_IVR. At this time, the current interrupt number and its priority level are pushed into an embedded hardware stack, so that they are saved and restored when the higher priority interrupt servicing is finished and the AIC\_EOICR is written.

The AIC is equipped with an 8-level wide hardware stack in order to support up to eight interrupt nestings pursuant to having eight priority levels.

### 23.7.3.3 Interrupt Vectoring

The interrupt handler addresses corresponding to each interrupt source can be stored in the registers AIC\_SVR1 to AIC\_SVR31 (Source Vector Register 1 to 31). When the processor reads AIC\_IVR (Interrupt Vector Register), the value written into AIC\_SVR corresponding to the current interrupt is returned.

This feature offers a way to branch in one single instruction to the handler corresponding to the current interrupt, as AIC\_IVR is mapped at the absolute address 0xFFFF F100 and thus accessible from the ARM interrupt vector at address 0x0000 0018 through the following instruction:

```
LDR PC, [PC, # -&F20]
```

When the processor executes this instruction, it loads the read value in AIC\_IVR in its program counter, thus branching the execution on the correct interrupt handler.

This feature is often not used when the application is based on an operating system (either real time or not). Operating systems often have a single entry point for all the interrupts and the first task performed is to discern the source of the interrupt.

However, it is strongly recommended to port the operating system on AT91 products by supporting the interrupt vectoring. This can be performed by defining all the AIC\_SVR of the interrupt source to be handled by the operating system at the address of its interrupt handler. When doing so, the interrupt vectoring permits a critical interrupt to transfer the execution on a specific very fast handler and not onto the operating system's general interrupt handler. This facilitates the support of hard real-time tasks (input/outputs of voice/audio buffers and software peripheral handling) to be handled efficiently and independently of the application running under an operating system.

### 23.7.3.4 Interrupt Handlers

This section gives an overview of the fast interrupt handling sequence when using the AIC. It is assumed that the programmer understands the architecture of the ARM processor, and especially the processor interrupt modes and the associated status bits.

It is assumed that:

1. The Advanced Interrupt Controller has been programmed, AIC\_SVR registers are loaded with corresponding interrupt service routine addresses and interrupts are enabled.
2. The instruction at the ARM interrupt exception vector address is required to work with the vectoring

```
LDR PC, [PC, # -&F20]
```

When nIRQ is asserted, if the bit "I" of CPSR is 0, the sequence is as follows:

1. The CPSR is stored in SPSR\_irq, the current value of the Program Counter is loaded in the Interrupt link register (R14\_irq) and the Program Counter (R15) is loaded with 0x18. In the following cycle during fetch at address 0x1C, the ARM core adjusts R14\_irq, decrementing it by four.
2. The ARM core enters Interrupt mode, if it has not already done so.
3. When the instruction loaded at address 0x18 is executed, the program counter is loaded with the value read in AIC\_IVR. Reading the AIC\_IVR has the following effects:
  - Sets the current interrupt to be the pending and enabled interrupt with the highest priority. The current level is the priority level of the current interrupt.
  - De-asserts the nIRQ line on the processor. Even if vectoring is not used, AIC\_IVR must be read in order to de-assert nIRQ.
  - Automatically clears the interrupt, if it has been programmed to be edge-triggered.
  - Pushes the current level and the current interrupt number on to the stack.
  - Returns the value written in the AIC\_SVR corresponding to the current interrupt.
4. The previous step has the effect of branching to the corresponding interrupt service routine. This should start by saving the link register (R14\_irq) and SPSR\_IRQ. The link register must be decremented by four when it is saved if it is to be restored directly into the program counter at the end of the interrupt. For example, the instruction `SUB PC, LR, #4` may be used.

5. Further interrupts can then be unmasked by clearing the “I” bit in CPSR, allowing re-assertion of the nIRQ to be taken into account by the core. This can happen if an interrupt with a higher priority than the current interrupt occurs.
6. The interrupt handler can then proceed as required, saving the registers that will be used and restoring them at the end. During this phase, an interrupt of higher priority than the current level will restart the sequence from step 1.

Note: If the interrupt is programmed to be level sensitive, the source of the interrupt must be cleared during this phase.

7. The “I” bit in CPSR must be set in order to mask interrupts before exiting to ensure that the interrupt is completed in an orderly manner.
8. The End of Interrupt Command Register (AIC\_EOICR) must be written in order to indicate to the AIC that the current interrupt is finished. This causes the current level to be popped from the stack, restoring the previous current level if one exists on the stack. If another interrupt is pending, with lower or equal priority than the old current level but with higher priority than the new current level, the nIRQ line is re-asserted, but the interrupt sequence does not immediately start because the “I” bit is set in the core. SPSR\_irq is restored. Finally, the saved value of the link register is restored directly into the PC. This has the effect of returning from the interrupt to whatever was being executed before, and of loading the CPSR with the stored SPSR, masking or unmasking the interrupts depending on the state saved in SPSR\_irq.

Note: The “I” bit in SPSR is significant. If it is set, it indicates that the ARM core was on the verge of masking an interrupt when the mask instruction was interrupted. Hence, when SPSR is restored, the mask instruction is completed (interrupt is masked).



## 23.7.4 Fast Interrupt

### 23.7.4.1 Fast Interrupt Source

The interrupt source 0 is the only source which can raise a fast interrupt request to the processor except if fast forcing is used. The interrupt source 0 is generally connected to a FIQ pin of the product, either directly or through a PIO Controller.

### 23.7.4.2 Fast Interrupt Control

The fast interrupt logic of the AIC has no priority controller. The mode of interrupt source 0 is programmed with the AIC\_SMR0 and the field PRIOR of this register is not used even if it reads what has been written. The field SRCTYPE of AIC\_SMR0 enables programming the fast interrupt source to be positive-edge triggered or negative-edge triggered or high-level sensitive or low-level sensitive

Writing 0x1 in the AIC\_IECR (Interrupt Enable Command Register) and AIC\_IDCR (Interrupt Disable Command Register) respectively enables and disables the fast interrupt. The bit 0 of AIC\_IMR (Interrupt Mask Register) indicates whether the fast interrupt is enabled or disabled.

### 23.7.4.3 Fast Interrupt Vectoring

The fast interrupt handler address can be stored in AIC\_SVR0 (Source Vector Register 0). The value written into this register is returned when the processor reads AIC\_FVR (Fast Vector Register). This offers a way to branch in one single instruction to the interrupt handler, as AIC\_FVR is mapped at the absolute address 0xFFFF F104 and thus accessible from the ARM fast interrupt vector at address 0x0000 001C through the following instruction:

```
LDR PC, [PC, # -&F20]
```

When the processor executes this instruction it loads the value read in AIC\_FVR in its program counter, thus branching the execution on the fast interrupt handler. It also automatically performs the clear of the fast interrupt source if it is programmed in edge-triggered mode.

### 23.7.4.4 Fast Interrupt Handlers

This section gives an overview of the fast interrupt handling sequence when using the AIC. It is assumed that the programmer understands the architecture of the ARM processor, and especially the processor interrupt modes and associated status bits.

Assuming that:

1. The Advanced Interrupt Controller has been programmed, AIC\_SVR0 is loaded with the fast interrupt service routine address, and the interrupt source 0 is enabled.
2. The Instruction at address 0x1C (FIQ exception vector address) is required to vector the fast interrupt:  

```
LDR PC, [PC, # -&F20]
```
3. The user does not need nested fast interrupts.

When nFIQ is asserted, if the bit "F" of CPSR is 0, the sequence is:

1. The CPSR is stored in SPSR\_fiq, the current value of the program counter is loaded in the FIQ link register (R14\_fiq) and the program counter (R15) is loaded with 0x1C. In the following cycle, during fetch at address 0x20, the ARM core adjusts R14\_fiq, decrementing it by four.
2. The ARM core enters FIQ mode.
3. When the instruction loaded at address 0x1C is executed, the program counter is loaded with the value read in AIC\_FVR. Reading the AIC\_FVR has effect of automati-

cally clearing the fast interrupt, if it has been programmed to be edge triggered. In this case only, it de-asserts the nFIQ line on the processor.

4. The previous step enables branching to the corresponding interrupt service routine. It is not necessary to save the link register R14\_fiq and SPSR\_fiq if nested fast interrupts are not needed.
5. The Interrupt Handler can then proceed as required. It is not necessary to save registers R8 to R13 because FIQ mode has its own dedicated registers and the user R8 to R13 are banked. The other registers, R0 to R7, must be saved before being used, and restored at the end (before the next step). Note that if the fast interrupt is programmed to be level sensitive, the source of the interrupt must be cleared during this phase in order to de-assert the interrupt source 0.
6. Finally, the Link Register R14\_fiq is restored into the PC after decrementing it by four (with instruction `SUB PC, LR, #4` for example). This has the effect of returning from the interrupt to whatever was being executed before, loading the CPSR with the SPSR and masking or unmasking the fast interrupt depending on the state saved in the SPSR.

Note: The “F” bit in SPSR is significant. If it is set, it indicates that the ARM core was just about to mask FIQ interrupts when the mask instruction was interrupted. Hence when the SPSR is restored, the interrupted instruction is completed (FIQ is masked).

Another way to handle the fast interrupt is to map the interrupt service routine at the address of the ARM vector 0x1C. This method does not use the vectoring, so that reading AIC\_FVR must be performed at the very beginning of the handler operation. However, this method saves the execution of a branch instruction.

#### 23.7.4.5 Fast Forcing

The Fast Forcing feature of the advanced interrupt controller provides redirection of any normal Interrupt source on the fast interrupt controller.

Fast Forcing is enabled or disabled by writing to the Fast Forcing Enable Register (AIC\_FFER) and the Fast Forcing Disable Register (AIC\_FFDR). Writing to these registers results in an update of the Fast Forcing Status Register (AIC\_FFSR) that controls the feature for each internal or external interrupt source.

When Fast Forcing is disabled, the interrupt sources are handled as described in the previous pages.

When Fast Forcing is enabled, the edge/level programming and, in certain cases, edge detection of the interrupt source is still active but the source cannot trigger a normal interrupt to the processor and is not seen by the priority handler.

If the interrupt source is programmed in level-sensitive mode and an active level is sampled, Fast Forcing results in the assertion of the nFIQ line to the core.

If the interrupt source is programmed in edge-triggered mode and an active edge is detected, Fast Forcing results in the assertion of the nFIQ line to the core.

The Fast Forcing feature does not affect the Source 0 pending bit in the Interrupt Pending Register (AIC\_IPR).

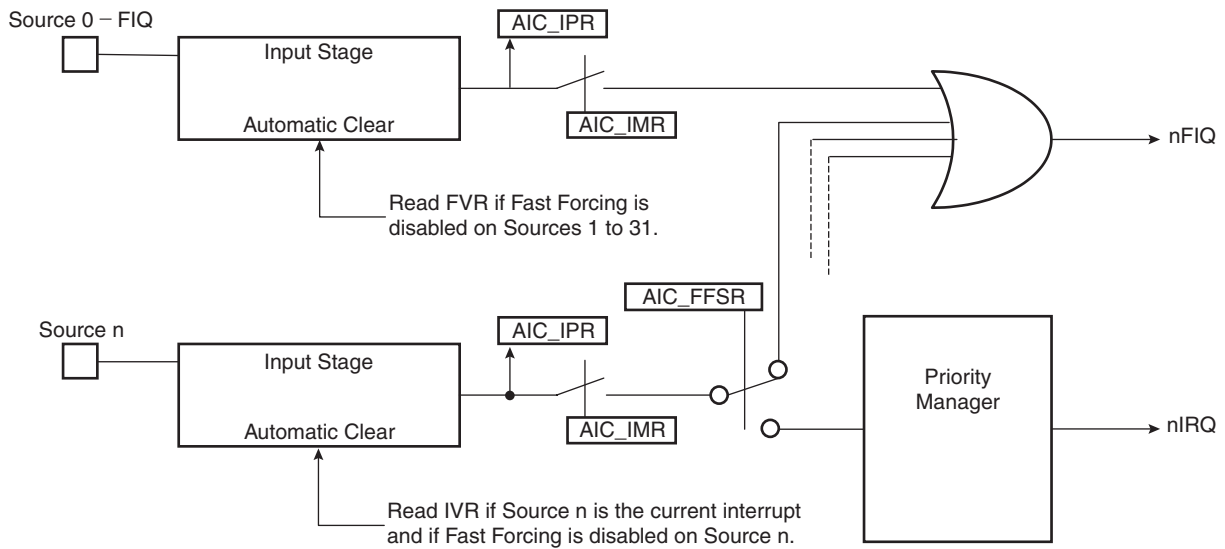
The FIQ Vector Register (AIC\_FVR) reads the contents of the Source Vector Register 0 (AIC\_SVR0), whatever the source of the fast interrupt may be. The read of the FVR does not clear the Source 0 when the fast forcing feature is used and the interrupt source should be cleared by writing to the Interrupt Clear Command Register (AIC\_ICCR).

All enabled and pending interrupt sources that have the fast forcing feature enabled and that are programmed in edge-triggered mode must be cleared by writing to the Interrupt Clear Command Register. In doing so, they are cleared independently and thus lost interrupts are prevented.

The read of AIC\_IVR does not clear the source that has the fast forcing feature enabled.

The source 0, reserved to the fast interrupt, continues operating normally and becomes one of the Fast Interrupt sources.

**Figure 23-10. Fast Forcing**



### 23.7.5 Protect Mode

The Protect Mode permits reading the Interrupt Vector Register without performing the associated automatic operations. This is necessary when working with a debug system. When a debugger, working either with a Debug Monitor or the ARM processor's ICE, stops the applications and updates the opened windows, it might read the AIC User Interface and thus the IVR. This has undesirable consequences:

- If an enabled interrupt with a higher priority than the current one is pending, it is stacked.
- If there is no enabled pending interrupt, the spurious vector is returned.

In either case, an End of Interrupt command is necessary to acknowledge and to restore the context of the AIC. This operation is generally not performed by the debug system as the debug system would become strongly intrusive and cause the application to enter an undesired state.

This is avoided by using the Protect Mode. Writing DBGM in AIC\_DCR (Debug Control Register) at 0x1 enables the Protect Mode.

When the Protect Mode is enabled, the AIC performs interrupt stacking only when a write access is performed on the AIC\_IVR. Therefore, the Interrupt Service Routines must write (arbitrary data) to the AIC\_IVR just after reading it. The new context of the AIC, including the value of the Interrupt Status Register (AIC\_ISR), is updated with the current interrupt only when AIC\_IVR is written.

An AIC\_IVR read on its own (e.g., by a debugger), modifies neither the AIC context nor the AIC\_ISR. Extra AIC\_IVR reads perform the same operations. However, it is recommended to not stop the processor between the read and the write of AIC\_IVR of the interrupt service routine to make sure the debugger does not modify the AIC context.

To summarize, in normal operating mode, the read of AIC\_IVR performs the following operations within the AIC:

1. Calculates active interrupt (higher than current or spurious).
2. Determines and returns the vector of the active interrupt.
3. Memorizes the interrupt.
4. Pushes the current priority level onto the internal stack.
5. Acknowledges the interrupt.

However, while the Protect Mode is activated, only operations 1 to 3 are performed when AIC\_IVR is read. Operations 4 and 5 are only performed by the AIC when AIC\_IVR is written.

Software that has been written and debugged using the Protect Mode runs correctly in Normal Mode without modification. However, in Normal Mode the AIC\_IVR write has no effect and can be removed to optimize the code.

### 23.7.6 Spurious Interrupt

The Advanced Interrupt Controller features protection against spurious interrupts. A spurious interrupt is defined as being the assertion of an interrupt source long enough for the AIC to assert the nIRQ, but no longer present when AIC\_IVR is read. This is most prone to occur when:

- An external interrupt source is programmed in level-sensitive mode and an active level occurs for only a short time.

- An internal interrupt source is programmed in level sensitive and the output signal of the corresponding embedded peripheral is activated for a short time. (As in the case for the Watchdog.)
- An interrupt occurs just a few cycles before the software begins to mask it, thus resulting in a pulse on the interrupt source.

The AIC detects a spurious interrupt at the time the AIC\_IVR is read while no enabled interrupt source is pending. When this happens, the AIC returns the value stored by the programmer in AIC\_SPU (Spurious Vector Register). The programmer must store the address of a spurious interrupt handler in AIC\_SPU as part of the application, to enable an as fast as possible return to the normal execution flow. This handler writes in AIC\_EOICR and performs a return from interrupt.

### 23.7.7 General Interrupt Mask

The AIC features a General Interrupt Mask bit to prevent interrupts from reaching the processor. Both the nIRQ and the nFIQ lines are driven to their inactive state if the bit GMSK in AIC\_DCR (Debug Control Register) is set. However, this mask does not prevent waking up the processor if it has entered Idle Mode. This function facilitates synchronizing the processor on a next event and, as soon as the event occurs, performs subsequent operations without having to handle an interrupt. It is strongly recommended to use this mask with caution.

## 23.8 Advanced Interrupt Controller (AIC) User Interface

### 23.8.1 Base Address

The AIC is mapped at the address **0xFFFF F000**. It has a total 4-Kbyte addressing space. This permits the vectoring feature, as the PC-relative load/store instructions of the ARM processor support only an  $\pm$  4-Kbyte offset.

**Table 23-2.** Register Mapping

| Offset | Register  | Name      | Access     | Reset              |
|--------|---|-----------|------------|--------------------|
| 0000   | Source Mode Register 0                            | AIC_SMR0  | Read/Write | 0x0                |
| 0x04   | Source Mode Register 1                            | AIC_SMR1  | Read/Write | 0x0                |
| ---    | ---   | ---       | ---        | ---                |
| 0x7C   | Source Mode Register 31                           | AIC_SMR31 | Read/Write | 0x0                |
| 0x80   | Source Vector Register 0                          | AIC_SVR0  | Read/Write | 0x0                |
| 0x84   | Source Vector Register 1                          | AIC_SVR1  | Read/Write | 0x0                |
| ---    | ---   | ---       | ---        | ---                |
| 0xFC   | Source Vector Register 31                         | AIC_SVR31 | Read/Write | 0x0                |
| 0x100  | Interrupt Vector Register                         | AIC_IVR   | Read-only  | 0x0                |
| 0x104  | FIQ Interrupt Vector Register                     | AIC_FVR   | Read-only  | 0x0                |
| 0x108  | Interrupt Status Register                         | AIC_ISR   | Read-only  | 0x0                |
| 0x10C  | Interrupt Pending Register <sup>(2)</sup>         | AIC_IPR   | Read-only  | 0x0 <sup>(1)</sup> |
| 0x110  | Interrupt Mask Register <sup>(2)</sup>            | AIC_IMR   | Read-only  | 0x0                |
| 0x114  | Core Interrupt Status Register                    | AIC_CISR  | Read-only  | 0x0                |
| 0x118  | Reserved  | ---       | ---        | ---                |
| 0x11C  | Reserved  | ---       | ---        | ---                |
| 0x120  | Interrupt Enable Command Register <sup>(2)</sup>  | AIC_IECR  | Write-only | ---                |
| 0x124  | Interrupt Disable Command Register <sup>(2)</sup> | AIC_IDCR  | Write-only | ---                |
| 0x128  | Interrupt Clear Command Register <sup>(2)</sup>   | AIC_ICCR  | Write-only | ---                |
| 0x12C  | Interrupt Set Command Register <sup>(2)</sup>     | AIC_ISCR  | Write-only | ---                |
| 0x130  | End of Interrupt Command Register                 | AIC_EOICR | Write-only | ---                |
| 0x134  | Spurious Interrupt Vector Register                | AIC_SPU   | Read/Write | 0x0                |
| 0x138  | Debug Control Register                            | AIC_DCR   | Read/Write | 0x0                |
| 0x13C  | Reserved  | ---       | ---        | ---                |
| 0x140  | Fast Forcing Enable Register <sup>(2)</sup>       | AIC_FFER  | Write-only | ---                |
| 0x144  | Fast Forcing Disable Register <sup>(2)</sup>      | AIC_FFDR  | Write-only | ---                |
| 0x148  | Fast Forcing Status Register <sup>(2)</sup>       | AIC_FFSR  | Read-only  | 0x0                |

Notes: 1. The reset value of this register depends on the level of the external interrupt source. All other sources are cleared at reset, thus not pending.

2. PID2...PID31 bit fields refer to the identifiers as defined in the Peripheral Identifiers Section of the product datasheet.

## 23.8.2 AIC Source Mode Register

**Register Name:** AIC\_SMR0..AIC\_SMR31

**Access Type:** Read/Write

**Reset Value:** 0x0

|    |         |    |    |    |       |    |    |   |
|----|---------|----|----|----|-------|----|----|---|
| 31 | 30      | 29 | 28 | 27 | 26    | 25 | 24 |   |
| –  | –       | –  | –  | –  | –     | –  | –  |   |
| 23 | 22      | 21 | 20 | 19 | 18    | 17 | 16 |   |
| –  | –       | –  | –  | –  | –     | –  | –  |   |
| 15 | 14      | 13 | 12 | 11 | 10    | 9  | 8  |   |
| –  | –       | –  | –  | –  | –     | –  | –  |   |
| 7  | 6       | 5  | 4  | 3  | 2     | 1  | 0  |   |
| –  | SRCTYPE |    | –  | –  | PRIOR |    |    | 0 |

- **PRIOR: Priority Level**

Programs the priority level for all sources except FIQ source (source 0).

The priority level can be between 0 (lowest) and 7 (highest).

The priority level is not used for the FIQ in the related SMR register AIC\_SMRx.

- **SRCTYPE: Interrupt Source Type**

The active level or edge is not programmable for the internal interrupt sources.

| SRCTYPE |   | Internal Interrupt Sources | External Interrupt Sources |
|---------|---|----------------------------|----------------------------|
| 0       | 0 | High level Sensitive       | Low level Sensitive        |
| 0       | 1 | Positive edge triggered    | Negative edge triggered    |
| 1       | 0 | High level Sensitive       | High level Sensitive       |
| 1       | 1 | Positive edge triggered    | Positive edge triggered    |

### 23.8.3 AIC Source Vector Register

**Register Name:** AIC\_SVR0..AIC\_SVR31

**Access Type:** Read/Write

**Reset Value:** 0x0

|        |    |    |    |    |    |    |    |
|--------|----|----|----|----|----|----|----|
| 31     | 30 | 29 | 28 | 27 | 26 | 25 | 24 |
| VECTOR |    |    |    |    |    |    |    |
| 23     | 22 | 21 | 20 | 19 | 18 | 17 | 16 |
| VECTOR |    |    |    |    |    |    |    |
| 15     | 14 | 13 | 12 | 11 | 10 | 9  | 8  |
| VECTOR |    |    |    |    |    |    |    |
| 7      | 6  | 5  | 4  | 3  | 2  | 1  | 0  |
| VECTOR |    |    |    |    |    |    |    |

- **VECTOR: Source Vector**

The user may store in these registers the addresses of the corresponding handler for each interrupt source.

### 23.8.4 AIC Interrupt Vector Register

**Register Name:** AIC\_IVR

**Access Type:** Read-only

**Reset Value:** 0x0

|      |    |    |    |    |    |    |    |
|------|----|----|----|----|----|----|----|
| 31   | 30 | 29 | 28 | 27 | 26 | 25 | 24 |
| IRQV |    |    |    |    |    |    |    |
| 23   | 22 | 21 | 20 | 19 | 18 | 17 | 16 |
| IRQV |    |    |    |    |    |    |    |
| 15   | 14 | 13 | 12 | 11 | 10 | 9  | 8  |
| IRQV |    |    |    |    |    |    |    |
| 7    | 6  | 5  | 4  | 3  | 2  | 1  | 0  |
| IRQV |    |    |    |    |    |    |    |

- **IRQV: Interrupt Vector Register**

The Interrupt Vector Register contains the vector programmed by the user in the Source Vector Register corresponding to the current interrupt.

The Source Vector Register is indexed using the current interrupt number when the Interrupt Vector Register is read.

When there is no current interrupt, the Interrupt Vector Register reads the value stored in AIC\_SPU.



## 23.8.5 AIC FIQ Vector Register

**Register Name:** AIC\_FVR

**Access Type:** Read-only

**Reset Value:** 0 x0

|      |    |    |    |    |    |    |    |
|------|----|----|----|----|----|----|----|
| 31   | 30 | 29 | 28 | 27 | 26 | 25 | 24 |
| FIQV |    |    |    |    |    |    |    |
| 23   | 22 | 21 | 20 | 19 | 18 | 17 | 16 |
| FIQV |    |    |    |    |    |    |    |
| 15   | 14 | 13 | 12 | 11 | 10 | 9  | 8  |
| FIQV |    |    |    |    |    |    |    |
| 7    | 6  | 5  | 4  | 3  | 2  | 1  | 0  |
| FIQV |    |    |    |    |    |    |    |

- **FIQV: FIQ Vector Register**

The FIQ Vector Register contains the vector programmed by the user in the Source Vector Register 0. When there is no fast interrupt, the FIQ Vector Register reads the value stored in AIC\_SPU.

## 23.8.6 AIC Interrupt Status Register

**Register Name:** AIC\_ISR

**Access Type:** Read-only

**Reset Value:** 0x0

|    |    |    |    |    |       |    |    |
|----|----|----|----|----|-------|----|----|
| 31 | 30 | 29 | 28 | 27 | 26    | 25 | 24 |
| -  | -  | -  | -  | -  | -     | -  | -  |
| 23 | 22 | 21 | 20 | 19 | 18    | 17 | 16 |
| -  | -  | -  | -  | -  | -     | -  | -  |
| 15 | 14 | 13 | 12 | 11 | 10    | 9  | 8  |
| -  | -  | -  | -  | -  | -     | -  | -  |
| 7  | 6  | 5  | 4  | 3  | 2     | 1  | 0  |
| -  | -  | -  | -  | -  | IRQID |    |    |

- **IRQID: Current Interrupt Identifier**

The Interrupt Status Register returns the current interrupt source number.

### 23.8.7 AIC Interrupt Pending Register

**Register Name:** AIC\_IPR

**Access Type:** Read-only

**Reset Value:** 0x0

|       |       |       |       |       |       |       |       |
|-------|-------|-------|-------|-------|-------|-------|-------|
| 31    | 30    | 29    | 28    | 27    | 26    | 25    | 24    |
| PID31 | PID30 | PID29 | PID28 | PID27 | PID26 | PID25 | PID24 |
| 23    | 22    | 21    | 20    | 19    | 18    | 17    | 16    |
| PID23 | PID22 | PID21 | PID20 | PID19 | PID18 | PID17 | PID16 |
| 15    | 14    | 13    | 12    | 11    | 10    | 9     | 8     |
| PID15 | PID14 | PID13 | PID12 | PID11 | PID10 | PID9  | PID8  |
| 7     | 6     | 5     | 4     | 3     | 2     | 1     | 0     |
| PID7  | PID6  | PID5  | PID4  | PID3  | PID2  | SYS   | FIQ   |

• **FIQ, SYS, PID2-PID31: Interrupt Pending**

0 = Corresponding interrupt is not pending.

1 = Corresponding interrupt is pending.

### 23.8.8 AIC Interrupt Mask Register

**Register Name:** AIC\_IMR

**Access Type:** Read-only

**Reset Value:** 0x0

|       |       |       |       |       |       |       |       |
|-------|-------|-------|-------|-------|-------|-------|-------|
| 31    | 30    | 29    | 28    | 27    | 26    | 25    | 24    |
| PID31 | PID30 | PID29 | PID28 | PID27 | PID26 | PID25 | PID24 |
| 23    | 22    | 21    | 20    | 19    | 18    | 17    | 16    |
| PID23 | PID22 | PID21 | PID20 | PID19 | PID18 | PID17 | PID16 |
| 15    | 14    | 13    | 12    | 11    | 10    | 9     | 8     |
| PID15 | PID14 | PID13 | PID12 | PID11 | PID10 | PID9  | PID8  |
| 7     | 6     | 5     | 4     | 3     | 2     | 1     | 0     |
| PID7  | PID6  | PID5  | PID4  | PID3  | PID2  | SYS   | FIQ   |

• **FIQ, SYS, PID2-PID31: Interrupt Mask**

0 = Corresponding interrupt is disabled.

1 = Corresponding interrupt is enabled.

## 23.8.9 AIC Core Interrupt Status Register

**Register Name:** AIC\_CISR

**Access Type:** Read-only

**Reset Value:** 0x0

|    |    |    |    |    |    |      |      |
|----|----|----|----|----|----|------|------|
| 31 | 30 | 29 | 28 | 27 | 26 | 25   | 24   |
| –  | –  | –  | –  | –  | –  | –    | –    |
| 23 | 22 | 21 | 20 | 19 | 18 | 17   | 16   |
| –  | –  | –  | –  | –  | –  | –    | –    |
| 15 | 14 | 13 | 12 | 11 | 10 | 9    | 8    |
| –  | –  | –  | –  | –  | –  | –    | –    |
| 7  | 6  | 5  | 4  | 3  | 2  | 1    | 0    |
| –  | –  | –  | –  | –  | –  | NIRQ | NFIQ |

- **NFIQ: NFIQ Status**

0 = nFIQ line is deactivated.

1 = nFIQ line is active.

- **NIRQ: NIRQ Status**

0 = nIRQ line is deactivated.

1 = nIRQ line is active.

## 23.8.10 AIC Interrupt Enable Command Register

**Register Name:** AIC\_IECR

**Access Type:** Write-only

|       |       |       |       |       |       |       |       |
|-------|-------|-------|-------|-------|-------|-------|-------|
| 31    | 30    | 29    | 28    | 27    | 26    | 25    | 24    |
| PID31 | PID30 | PID29 | PID28 | PID27 | PID26 | PID25 | PID24 |
| 23    | 22    | 21    | 20    | 19    | 18    | 17    | 16    |
| PID23 | PID22 | PID21 | PID20 | PID19 | PID18 | PID17 | PID16 |
| 15    | 14    | 13    | 12    | 11    | 10    | 9     | 8     |
| PID15 | PID14 | PID13 | PID12 | PID11 | PID10 | PID9  | PID8  |
| 7     | 6     | 5     | 4     | 3     | 2     | 1     | 0     |
| PID7  | PID6  | PID5  | PID4  | PID3  | PID2  | SYS   | FIQ   |

- **FIQ, SYS, PID2-PID3: Interrupt Enable**

0 = No effect.

1 = Enables corresponding interrupt.

### 23.8.11 AIC Interrupt Disable Command Register

**Register Name:** AIC\_IDCR

**Access Type:** Write-only

|       |       |       |       |       |       |       |       |
|-------|-------|-------|-------|-------|-------|-------|-------|
| 31    | 30    | 29    | 28    | 27    | 26    | 25    | 24    |
| PID31 | PID30 | PID29 | PID28 | PID27 | PID26 | PID25 | PID24 |
| 23    | 22    | 21    | 20    | 19    | 18    | 17    | 16    |
| PID23 | PID22 | PID21 | PID20 | PID19 | PID18 | PID17 | PID16 |
| 15    | 14    | 13    | 12    | 11    | 10    | 9     | 8     |
| PID15 | PID14 | PID13 | PID12 | PID11 | PID10 | PID9  | PID8  |
| 7     | 6     | 5     | 4     | 3     | 2     | 1     | 0     |
| PID7  | PID6  | PID5  | PID4  | PID3  | PID2  | SYS   | FIQ   |

• **FIQ, SYS, PID2-PID31: Interrupt Disable**

0 = No effect.

1 = Disables corresponding interrupt.

### 23.8.12 AIC Interrupt Clear Command Register

**Register Name:** AIC\_ICCR

**Access Type:** Write-only

|       |       |       |       |       |       |       |       |
|-------|-------|-------|-------|-------|-------|-------|-------|
| 31    | 30    | 29    | 28    | 27    | 26    | 25    | 24    |
| PID31 | PID30 | PID29 | PID28 | PID27 | PID26 | PID25 | PID24 |
| 23    | 22    | 21    | 20    | 19    | 18    | 17    | 16    |
| PID23 | PID22 | PID21 | PID20 | PID19 | PID18 | PID17 | PID16 |
| 15    | 14    | 13    | 12    | 11    | 10    | 9     | 8     |
| PID15 | PID14 | PID13 | PID12 | PID11 | PID10 | PID9  | PID8  |
| 7     | 6     | 5     | 4     | 3     | 2     | 1     | 0     |
| PID7  | PID6  | PID5  | PID4  | PID3  | PID2  | SYS   | FIQ   |

• **FIQ, SYS, PID2-PID31: Interrupt Clear**

0 = No effect.

1 = Clears corresponding interrupt.

## 23.8.13 AIC Interrupt Set Command Register

**Register Name:** AIC\_ISCR

**Access Type:** Write-only

|       |       |       |       |       |       |       |       |
|-------|-------|-------|-------|-------|-------|-------|-------|
| 31    | 30    | 29    | 28    | 27    | 26    | 25    | 24    |
| PID31 | PID30 | PID29 | PID28 | PID27 | PID26 | PID25 | PID24 |
| 23    | 22    | 21    | 20    | 19    | 18    | 17    | 16    |
| PID23 | PID22 | PID21 | PID20 | PID19 | PID18 | PID17 | PID16 |
| 15    | 14    | 13    | 12    | 11    | 10    | 9     | 8     |
| PID15 | PID14 | PID13 | PID12 | PID11 | PID10 | PID9  | PID8  |
| 7     | 6     | 5     | 4     | 3     | 2     | 1     | 0     |
| PID7  | PID6  | PID5  | PID4  | PID3  | PID2  | SYS   | FIQ   |

- **FIQ, SYS, PID2-PID31: Interrupt Set**

0 = No effect.

1 = Sets corresponding interrupt.

## 23.8.14 AIC End of Interrupt Command Register

**Register Name:** AIC\_EOICR

**Access Type:** Write-only

|    |    |    |    |    |    |    |    |
|----|----|----|----|----|----|----|----|
| 31 | 30 | 29 | 28 | 27 | 26 | 25 | 24 |
| -  | -  | -  | -  | -  | -  | -  | -  |
| 23 | 22 | 21 | 20 | 19 | 18 | 17 | 16 |
| -  | -  | -  | -  | -  | -  | -  | -  |
| 15 | 14 | 13 | 12 | 11 | 10 | 9  | 8  |
| -  | -  | -  | -  | -  | -  | -  | -  |
| 7  | 6  | 5  | 4  | 3  | 2  | 1  | 0  |
| -  | -  | -  | -  | -  | -  | -  | -  |

The End of Interrupt Command Register is used by the interrupt routine to indicate that the interrupt treatment is complete. Any value can be written because it is only necessary to make a write to this register location to signal the end of interrupt treatment.

### 23.8.15 AIC Spurious Interrupt Vector Register

**Register Name:** AIC\_SPU

**Access Type:** Read/Write

**Reset Value:** 0x0

|      |    |    |    |    |    |    |    |
|------|----|----|----|----|----|----|----|
| 31   | 30 | 29 | 28 | 27 | 26 | 25 | 24 |
| SIVR |    |    |    |    |    |    |    |
| 23   | 22 | 21 | 20 | 19 | 18 | 17 | 16 |
| SIVR |    |    |    |    |    |    |    |
| 15   | 14 | 13 | 12 | 11 | 10 | 9  | 8  |
| SIVR |    |    |    |    |    |    |    |
| 7    | 6  | 5  | 4  | 3  | 2  | 1  | 0  |
| SIVR |    |    |    |    |    |    |    |

- **SIVR: Spurious Interrupt Vector Register**

The user may store the address of a spurious interrupt handler in this register. The written value is returned in AIC\_IVR in case of a spurious interrupt and in AIC\_FVR in case of a spurious fast interrupt.

### 23.8.16 AIC Debug Control Register

**Register Name:** AIC\_DEBUG

**Access Type:** Read/Write

**Reset Value:** 0x0

|    |    |    |    |    |    |      |      |
|----|----|----|----|----|----|------|------|
| 31 | 30 | 29 | 28 | 27 | 26 | 25   | 24   |
| -  | -  | -  | -  | -  | -  | -    | -    |
| 23 | 22 | 21 | 20 | 19 | 18 | 17   | 16   |
| -  | -  | -  | -  | -  | -  | -    | -    |
| 15 | 14 | 13 | 12 | 11 | 10 | 9    | 8    |
| -  | -  | -  | -  | -  | -  | -    | -    |
| 7  | 6  | 5  | 4  | 3  | 2  | 1    | 0    |
| -  | -  | -  | -  | -  | -  | GMSK | PROT |

- **PROT: Protection Mode**

0 = The Protection Mode is disabled.

1 = The Protection Mode is enabled.

- **GMSK: General Mask**

0 = The nIRQ and nFIQ lines are normally controlled by the AIC.

1 = The nIRQ and nFIQ lines are tied to their inactive state.

## 23.8.17 AIC Fast Forcing Enable Register

**Register Name:** AIC\_FFER

**Access Type:** Write-only

|       |       |       |       |       |       |       |       |
|-------|-------|-------|-------|-------|-------|-------|-------|
| 31    | 30    | 29    | 28    | 27    | 26    | 25    | 24    |
| PID31 | PID30 | PID29 | PID28 | PID27 | PID26 | PID25 | PID24 |
| 23    | 22    | 21    | 20    | 19    | 18    | 17    | 16    |
| PID23 | PID22 | PID21 | PID20 | PID19 | PID18 | PID17 | PID16 |
| 15    | 14    | 13    | 12    | 11    | 10    | 9     | 8     |
| PID15 | PID14 | PID13 | PID12 | PID11 | PID10 | PID9  | PID8  |
| 7     | 6     | 5     | 4     | 3     | 2     | 1     | 0     |
| PID7  | PID6  | PID5  | PID4  | PID3  | PID2  | SYS   | –     |

- **SYS, PID2-PID31: Fast Forcing Enable**

0 = No effect.

1 = Enables the fast forcing feature on the corresponding interrupt.

## 23.8.18 AIC Fast Forcing Disable Register

**Register Name:** AIC\_FFDR

**Access Type:** Write-only

|       |       |       |       |       |       |       |       |
|-------|-------|-------|-------|-------|-------|-------|-------|
| 31    | 30    | 29    | 28    | 27    | 26    | 25    | 24    |
| PID31 | PID30 | PID29 | PID28 | PID27 | PID26 | PID25 | PID24 |
| 23    | 22    | 21    | 20    | 19    | 18    | 17    | 16    |
| PID23 | PID22 | PID21 | PID20 | PID19 | PID18 | PID17 | PID16 |
| 15    | 14    | 13    | 12    | 11    | 10    | 9     | 8     |
| PID15 | PID14 | PID13 | PID12 | PID11 | PID10 | PID9  | PID8  |
| 7     | 6     | 5     | 4     | 3     | 2     | 1     | 0     |
| PID7  | PID6  | PID5  | PID4  | PID3  | PID2  | SYS   | –     |

- **SYS, PID2-PID31: Fast Forcing Disable**

0 = No effect.

1 = Disables the Fast Forcing feature on the corresponding interrupt.



### 23.8.19 AIC Fast Forcing Status Register

Register Name: AIC\_FFSR

Access Type: Read-only

|       |       |       |       |       |       |       |       |
|-------|-------|-------|-------|-------|-------|-------|-------|
| 31    | 30    | 29    | 28    | 27    | 26    | 25    | 24    |
| PID31 | PID30 | PID29 | PID28 | PID27 | PID26 | PID25 | PID24 |
| 23    | 22    | 21    | 20    | 19    | 18    | 17    | 16    |
| PID23 | PID22 | PID21 | PID20 | PID19 | PID18 | PID17 | PID16 |
| 15    | 14    | 13    | 12    | 11    | 10    | 9     | 8     |
| PID15 | PID14 | PID13 | PID12 | PID11 | PID10 | PID9  | PID8  |
| 7     | 6     | 5     | 4     | 3     | 2     | 1     | 0     |
| PID7  | PID6  | PID5  | PID4  | PID3  | PID2  | SYS   | –     |

- **SYS, PID2-PID31: Fast Forcing Status**

0 = The Fast Forcing feature is disabled on the corresponding interrupt.

1 = The Fast Forcing feature is enabled on the corresponding interrupt.



## 24. Clock Generator

### 24.1 Overview

The Clock Generator is made up of 1 PLL, a Main Oscillator, as well as an RC Oscillator .

It provides the following clocks:

- SLCK, the Slow Clock, which is the only permanent clock within the system
- MAINCK is the output of the Main Oscillator
- PLLCK is the output of the Divider and PLL block

The Clock Generator User Interface is embedded within the Power Management Controller one and is described in [Section 25.9](#). However, the Clock Generator registers are named CKGR\_.

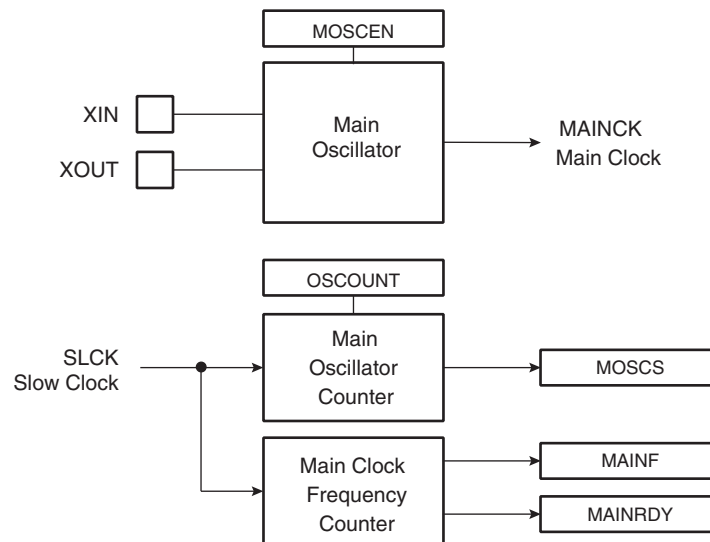
### 24.2 Slow Clock RC Oscillator

The user has to take into account the possible drifts of the RC Oscillator. More details are given in the section “DC Characteristics” of the product datasheet.

### 24.3 Main Oscillator

[Figure 24-1](#) shows the Main Oscillator block diagram.

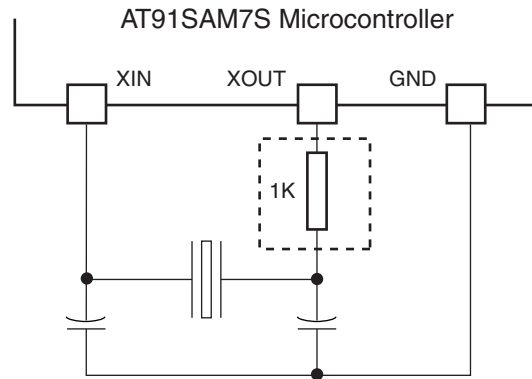
**Figure 24-1.** Main Oscillator Block Diagram



#### 24.3.1 Main Oscillator Connections

The Clock Generator integrates a Main Oscillator that is designed for a 3 to 20 MHz fundamental crystal. The typical crystal connection is illustrated in [Figure 24-2](#). For further details on the electrical characteristics of the Main Oscillator, see the section “DC Characteristics” of the product datasheet.

**Figure 24-2.** Typical Crystal Connection



### 24.3.2 Main Oscillator Startup Time

The startup time of the Main Oscillator is given in the DC Characteristics section of the product datasheet. The startup time depends on the crystal frequency and decreases when the frequency rises.

### 24.3.3 Main Oscillator Control

To minimize the power required to start up the system, the main oscillator is disabled after reset and slow clock is selected.

The software enables or disables the main oscillator so as to reduce power consumption by clearing the MOSCEN bit in the Main Oscillator Register (CKGR\_MOR).

When disabling the main oscillator by clearing the MOSCEN bit in CKGR\_MOR, the MOSCS bit in PMC\_SR is automatically cleared, indicating the main clock is off.

When enabling the main oscillator, the user must initiate the main oscillator counter with a value corresponding to the startup time of the oscillator. This startup time depends on the crystal frequency connected to the main oscillator.

When the MOSCEN bit and the OSCOUNT are written in CKGR\_MOR to enable the main oscillator, the MOSCS bit in PMC\_SR (Status Register) is cleared and the counter starts counting down on the slow clock divided by 8 from the OSCOUNT value. Since the OSCOUNT value is coded with 8 bits, the maximum startup time is about 62 ms.

When the counter reaches 0, the MOSCS bit is set, indicating that the main clock is valid. Setting the MOSCS bit in PMC\_IMR can trigger an interrupt to the processor.

### 24.3.4 Main Clock Frequency Counter

The Main Oscillator features a Main Clock frequency counter that provides the quartz frequency connected to the Main Oscillator. Generally, this value is known by the system designer; however, it is useful for the boot program to configure the device with the correct clock speed, independently of the application.

The Main Clock frequency counter starts incrementing at the Main Clock speed after the next rising edge of the Slow Clock as soon as the Main Oscillator is stable, i.e., as soon as the MOSCS bit is set. Then, at the 16th falling edge of Slow Clock, the MAINRDY bit in CKGR\_MCFR (Main Clock Frequency Register) is set and the counter stops counting. Its value can be read in the MAINF field of CKGR\_MCFR and gives the number of Main Clock cycles during 16 periods of

Slow Clock, so that the frequency of the crystal connected on the Main Oscillator can be determined.

### 24.3.5 Main Oscillator Bypass

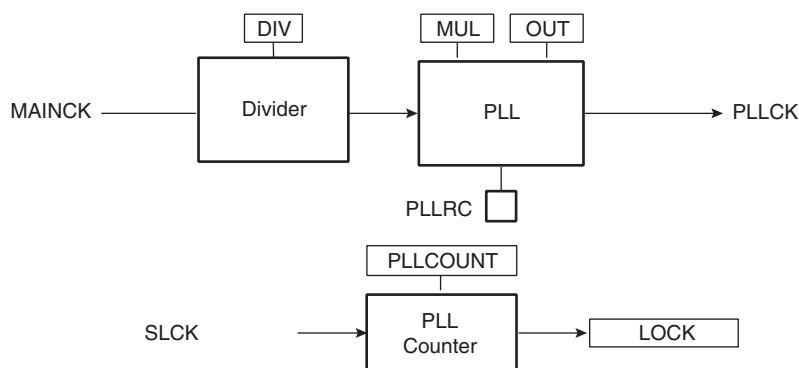
The user can input a clock on the device instead of connecting a crystal. In this case, the user has to provide the external clock signal on the XIN pin. The input characteristics of the XIN pin under these conditions are given in the product electrical characteristics section. The programmer has to be sure to set the OSCBYPASS bit to 1 and the MOSCEN bit to 0 in the Main OSC register (CKGR\_MOR) for the external clock to operate properly.

## 24.4 Divider and PLL Block

The PLL embeds an input divider to increase the accuracy of the resulting clock signals. However, the user must respect the PLL minimum input frequency when programming the divider.

Figure 24-3 shows the block diagram of the divider and PLL block.

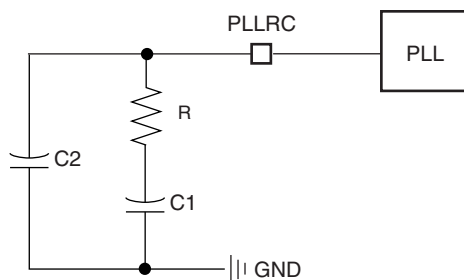
**Figure 24-3.** Divider and PLL Block Diagram



### 24.4.1 PLL Filter

The PLL requires connection to an external second-order filter through the PLLRC pin. Figure 24-4 shows a schematic of these filters.

**Figure 24-4.** PLL Capacitors and Resistors



Values of R, C1 and C2 to be connected to the PLLRC pin must be calculated as a function of the PLL input frequency, the PLL output frequency and the phase margin. A trade-off has to be found between output signal overshoot and startup time.

#### 24.4.2 Divider and Phase Lock Loop Programming

The divider can be set between 1 and 255 in steps of 1. When a divider field (DIV) is set to 0, the output of the corresponding divider and the PLL output is a continuous signal at level 0. On reset, each DIV field is set to 0, thus the corresponding PLL input clock is set to 0.

The PLL allows multiplication of the divider's outputs. The PLL clock signal has a frequency that depends on the respective source signal frequency and on the parameters DIV and MUL. The factor applied to the source signal frequency is  $(MUL + 1)/DIV$ . When MUL is written to 0, the corresponding PLL is disabled and its power consumption is saved. Re-enabling the PLL can be performed by writing a value higher than 0 in the MUL field.

Whenever the PLL is re-enabled or one of its parameters is changed, the LOCK bit in PMC\_SR is automatically cleared. The values written in the PLLCOUNT field in CKGR\_PLLR are loaded in the PLL counter. The PLL counter then decrements at the speed of the Slow Clock until it reaches 0. At this time, the LOCK bit is set in PMC\_SR and can trigger an interrupt to the processor. The user has to load the number of Slow Clock cycles required to cover the PLL transient time into the PLLCOUNT field. The transient time depends on the PLL filter. The initial state of the PLL and its target frequency can be calculated using a specific tool provided by Atmel.

## 25. Power Management Controller (PMC)

### 25.1 Description

The Power Management Controller (PMC) optimizes power consumption by controlling all system and user peripheral clocks. The PMC enables/disables the clock inputs to many of the peripherals and the ARM Processor.

The Power Management Controller provides the following clocks:

- MCK, the Master Clock, programmable from a few hundred Hz to the maximum operating frequency of the device. It is available to the modules running permanently, such as the AIC and the Memory Controller.
- Processor Clock (PCK), switched off when entering processor in idle mode.
- Peripheral Clocks, typically MCK, provided to the embedded peripherals (USART, SSC, SPI, TWI, TC, MCI, etc.) and independently controllable. In order to reduce the number of clock names in a product, the Peripheral Clocks are named MCK in the product datasheet.
- UDP Clock (UDPCK), required by USB Device Port operations. (Does not pertain to AT91SAM7S32/16.)
- Programmable Clock Outputs can be selected from the clocks provided by the clock generator and driven on the PCKx pins.

### 25.2 Master Clock Controller

The Master Clock Controller provides selection and division of the Master Clock (MCK). MCK is the clock provided to all the peripherals and the memory controller.

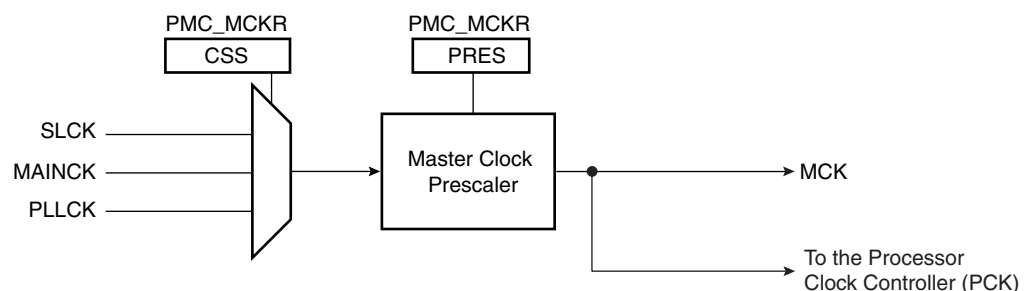
The Master Clock is selected from one of the clocks provided by the Clock Generator. Selecting the Slow Clock provides a Slow Clock signal to the whole device. Selecting the Main Clock saves power consumption of the PLL.

The Master Clock Controller is made up of a clock selector and a prescaler.

The Master Clock selection is made by writing the CSS field (Clock Source Selection) in PMC\_MCKR (Master Clock Register). The prescaler supports the division by a power of 2 of the selected clock between 1 and 64. The PRES field in PMC\_MCKR programs the prescaler.

Each time PMC\_MCKR is written to define a new Master Clock, the MCKRDY bit is cleared in PMC\_SR. It reads 0 until the Master Clock is established. Then, the MCKRDY bit is set and can trigger an interrupt to the processor. This feature is useful when switching from a high-speed clock to a lower one to inform the software when the change is actually done.

**Figure 25-1.** Master Clock Controller



### 25.3 Processor Clock Controller

The PMC features a Processor Clock Controller (PCK) that implements the Processor Idle Mode. The Processor Clock can be disabled by writing the System Clock Disable Register (PMC\_SCDR). The status of this clock (at least for debug purpose) can be read in the System Clock Status Register (PMC\_SCSR).

The Processor Clock PCK is enabled after a reset and is automatically re-enabled by any enabled interrupt. The Processor Idle Mode is achieved by disabling the Processor Clock, which is automatically re-enabled by any enabled fast or normal interrupt, or by the reset of the product.

When the Processor Clock is disabled, the current instruction is finished before the clock is stopped, but this does not prevent data transfers from other masters of the system bus.

### 25.4 USB Clock Controller

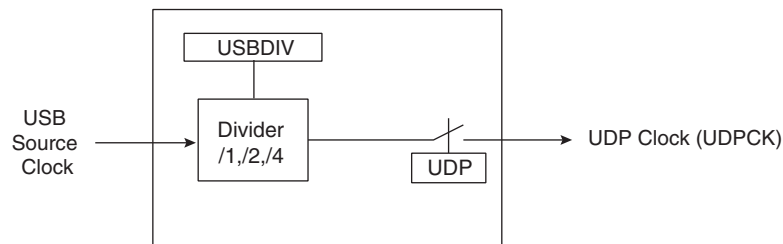
**Note:** The USB Clock Controller does not pertain to AT91SAM7S32/16.

The USB Source Clock is the PLL output. If using the USB, the user must program the PLL to generate a 48 MHz, a 96 MHz or a 192 MHz signal with an accuracy of  $\pm 0.25\%$  depending on the USBDIV bit in CKGR\_PLLR.

When the PLL output is stable, i.e., the LOCK bit is set:

- The USB device clock can be enabled by setting the UDP bit in PMC\_SCER. To save power on this peripheral when it is not used, the user can set the UDP bit in PMC\_SCDR. The UDP bit in PMC\_SCSR gives the activity of this clock. The USB device port require both the 48 MHz signal and the Master Clock. The Master Clock may be controlled via the Master Clock Controller.

**Figure 25-2.** USB Clock Controller



### 25.5 Peripheral Clock Controller

The Power Management Controller controls the clocks of each embedded peripheral by the way of the Peripheral Clock Controller. The user can individually enable and disable the Master Clock on the peripherals by writing into the Peripheral Clock Enable (PMC\_PCER) and Peripheral Clock Disable (PMC\_PCDR) registers. The status of the peripheral clock activity can be read in the Peripheral Clock Status Register (PMC\_PCSR).

When a peripheral clock is disabled, the clock is immediately stopped. The peripheral clocks are automatically disabled after a reset.

In order to stop a peripheral, it is recommended that the system software wait until the peripheral has executed its last programmed operation before disabling the clock. This is to avoid data corruption or erroneous behavior of the system.

The bit number within the Peripheral Clock Control registers (PMC\_PCER, PMC\_PCDR, and PMC\_PCSR) is the Peripheral Identifier defined at the product level. Generally, the bit number corresponds to the interrupt source number assigned to the peripheral.

## 25.6 Programmable Clock Output Controller

The PMC controls 3 signals to be output on external pins PCKx. Each signal can be independently programmed via the PMC\_PCKx registers.

PCKx can be independently selected between the Slow clock, the PLL output and the main clock by writing the CSS field in PMC\_PCKx. Each output signal can also be divided by a power of 2 between 1 and 64 by writing the PRES (Prescaler) field in PMC\_PCKx.

Each output signal can be enabled and disabled by writing 1 in the corresponding bit, PCKx of PMC\_SCER and PMC\_SCDR, respectively. Status of the active programmable output clocks are given in the PCKx bits of PMC\_SCSR (System Clock Status Register).

Moreover, like the PCK, a status bit in PMC\_SR indicates that the Programmable Clock is actually what has been programmed in the Programmable Clock registers.

As the Programmable Clock Controller does not manage with glitch prevention when switching clocks, it is strongly recommended to disable the Programmable Clock before any configuration change and to re-enable it after the change is actually performed.

## 25.7 Programming Sequence

### 1. Enabling the Main Oscillator:

The main oscillator is enabled by setting the MOSCEN field in the CKGR\_MOR register. In some cases it may be advantageous to define a start-up time. This can be achieved by writing a value in the OSCOUNT field in the CKGR\_MOR register.

Once this register has been correctly configured, the user must wait for MOSCS field in the PMC\_SR register to be set. This can be done either by polling the status register or by waiting the interrupt line to be raised if the associated interrupt to MOSCS has been enabled in the PMC\_IER register.

Code Example:

```
write_register(CKGR_MOR, 0x00000701)
```

Start Up Time = 8 \* OSCOUNT / SLCK = 56 Slow Clock Cycles.

So, the main oscillator will be enabled (MOSCS bit set) after 56 Slow Clock Cycles.

### 2. Checking the Main Oscillator Frequency (Optional):

In some situations the user may need an accurate measure of the main oscillator frequency. This measure can be accomplished via the CKGR\_MCFR register.

Once the MAINRDY field is set in CKGR\_MCFR register, the user may read the MAINF field in CKGR\_MCFR register. This provides the number of main clock cycles within sixteen slow clock cycles.

### 3. Setting PLL and divider:

All parameters needed to configure PLL and the divider are located in the CKGR\_PLLR register.

The DIV field is used to control divider itself. A value between 0 and 255 can be programmed. Divider output is divider input divided by DIV parameter. By default DIV parameter is set to 0 which means that divider is turned off.

The OUT field is used to select the PLL B output frequency range.

The MUL field is the PLL multiplier factor. This parameter can be programmed between 0 and 2047. If MUL is set to 0, PLL will be turned off, otherwise the PLL output frequency is PLL input frequency multiplied by (MUL + 1).

The PLLCOUNT field specifies the number of slow clock cycles before LOCK bit is set in the PMC\_SR register after CKGR\_PLLR register has been written.

Once the PMC\_PLL register has been written, the user must wait for the LOCK bit to be set in the PMC\_SR register. This can be done either by polling the status register or by waiting the interrupt line to be raised if the associated interrupt to LOCK has been enabled in the PMC\_IER register. All parameters in CKGR\_PLLR can be programmed in a single write operation. If at some stage one of the following parameters, MUL, DIV is modified, LOCK bit will go low to indicate that PLL is not ready yet. When PLL is locked, LOCK will be set again. The user is constrained to wait for LOCK bit to be set before using the PLL output clock.

The USBDIV field is used to control the additional divider by 1, 2 or 4, which generates the USB clock(s) (Does not pertain to AT91SAM7S32/16.)

Code Example:

```
write_register(CKGR_PLLR, 0x00040805)
```

If PLL and divider are enabled, the PLL input clock is the main clock. PLL output clock is PLL input clock multiplied by 5. Once CKGR\_PLLR has been written, LOCK bit will be set after eight slow clock cycles.

#### 4. Selection of Master Clock and Processor Clock

The Master Clock and the Processor Clock are configurable via the PMC\_MCKR register.

The CSS field is used to select the Master Clock divider source. By default, the selected clock source is slow clock.

The PRES field is used to control the Master Clock prescaler. The user can choose between different values (1, 2, 4, 8, 16, 32, 64). Master Clock output is prescaler input divided by PRES parameter. By default, PRES parameter is set to 1 which means that master clock is equal to slow clock.

Once the PMC\_MCKR register has been written, the user must wait for the MCKRDY bit to be set in the PMC\_SR register. This can be done either by polling the status register or by waiting for the interrupt line to be raised if the associated interrupt to MCKRDY has been enabled in the PMC\_IER register.

The PMC\_MCKR register must not be programmed in a single write operation. The preferred programming sequence for the PMC\_MCKR register is as follows:

- If a new value for CSS field corresponds to PLL Clock,
  - Program the PRES field in the PMC\_MCKR register.
  - Wait for the MCKRDY bit to be set in the PMC\_SR register.



- Program the CSS field in the PMC\_MCKR register.
- Wait for the MCKRDY bit to be set in the PMC\_SR register.
- If a new value for CSS field corresponds to Main Clock or Slow Clock,
  - Program the CSS field in the PMC\_MCKR register.
  - Wait for the MCKRDY bit to be set in the PMC\_SR register.
  - Program the PRES field in the PMC\_MCKR register.
  - Wait for the MCKRDY bit to be set in the PMC\_SR register.

If at some stage one of the following parameters, CSS or PRES, is modified, the MCKRDY bit will go low to indicate that the Master Clock and the Processor Clock are not ready yet. The user must wait for MCKRDY bit to be set again before using the Master and Processor Clocks.

Note: IF PLLx clock was selected as the Master Clock and the user decides to modify it by writing in CKGR\_PLLR the MCKRDY flag will go low while PLL is unlocked. Once PLL is locked again, LOCK goes high and MCKRDY is set. While PLL is unlocked, the Master Clock selection is automatically changed to Main Clock. For further information, see [Section 25.8.2. “Clock Switching Waveforms” on page 195.](#)

Code Example:

```
write_register(PMC_MCKR, 0x00000001)
wait (MCKRDY=1)

write_register(PMC_MCKR, 0x00000011)
wait (MCKRDY=1)
```

The Master Clock is main clock divided by 16.

The Processor Clock is the Master Clock.

## 5. Selection of Programmable clocks

Programmable clocks are controlled via registers; PMC\_SCER, PMC\_SCDR and PMC\_SCSR.

Programmable clocks can be enabled and/or disabled via the PMC\_SCER and PMC\_SCDR registers. Depending on the system used, 3 Programmable clocks can be enabled or disabled. The PMC\_SCSR provides a clear indication as to which Programmable clock is enabled. By default all Programmable clocks are disabled.

PMC\_PCKx registers are used to configure Programmable clocks.

The CSS field is used to select the Programmable clock divider source. Four clock options are available: main clock, slow clock, PLLCK. By default, the clock source selected is slow clock.

The PRES field is used to control the Programmable clock prescaler. It is possible to choose between different values (1, 2, 4, 8, 16, 32, 64). Programmable clock output is prescaler input divided by PRES parameter. By default, the PRES parameter is set to 1 which means that master clock is equal to slow clock.

Once the PMC\_PCKx register has been programmed, The corresponding Programmable clock must be enabled and the user is constrained to wait for the PCKRDYx bit to be set in the PMC\_SR register. This can be done either by polling the status register or by waiting the

interrupt line to be raised if the associated interrupt to PCKRDYx has been enabled in the PMC\_IER register. All parameters in PMC\_PCKx can be programmed in a single write operation.

If the CSS and PRES parameters are to be modified, the corresponding Programmable clock must be disabled first. The parameters can then be modified. Once this has been done, the user must re-enable the Programmable clock and wait for the PCKRDYx bit to be set.

Code Example:

```
write_register(PMC_PCK0, 0x00000015)
```

Programmable clock 0 is main clock divided by 32.

## 6. Enabling Peripheral Clocks

Once all of the previous steps have been completed, the peripheral clocks can be enabled and/or disabled via registers PMC\_PCER and PMC\_PCDR.

Depending on the system used, AT91SAM7S512/256/128/64/321, 12 and for AT91SAM7S32/16, 10 peripheral clocks can be enabled or disabled. The PMC\_PCSR provides a clear view as to which peripheral clock is enabled.

Note: Each enabled peripheral clock corresponds to Master Clock.

Code Examples:

```
write_register(PMC_PCER, 0x00000110)
```

Peripheral clocks 4 and 8 are enabled.

```
write_register(PMC_PCDR, 0x00000010)
```

Peripheral clock 4 is disabled.

## 25.8 Clock Switching Details

### 25.8.1 Master Clock Switching Timings

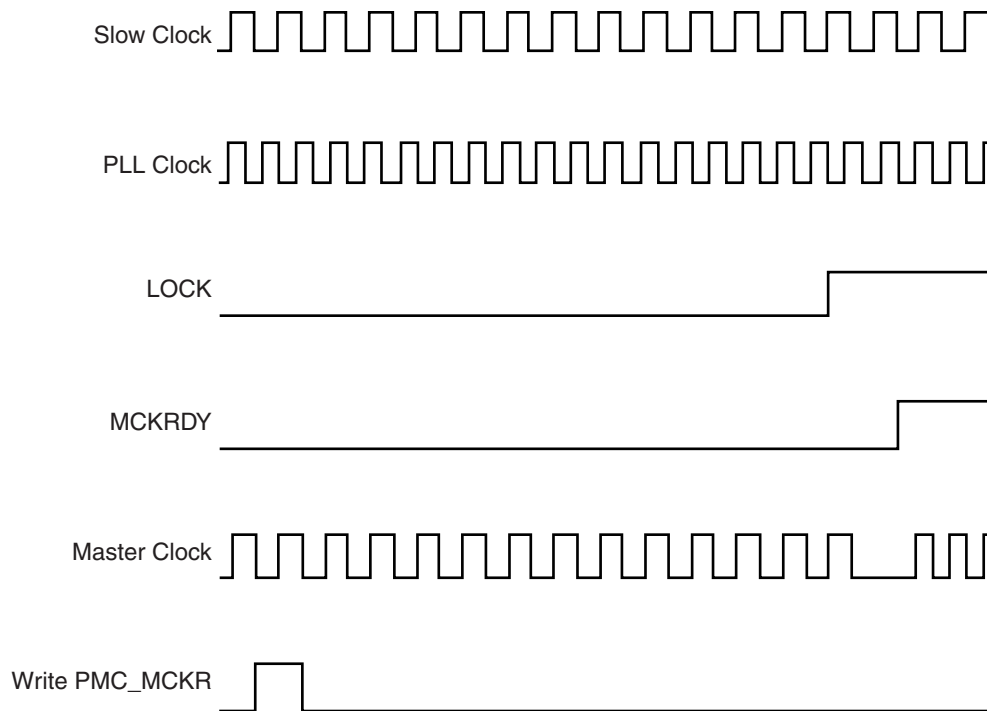
Table 25-1 gives the worst case timings required for the Master Clock to switch from one selected clock to another one. This is in the event that the prescaler is de-activated. When the prescaler is activated, an additional time of 64 clock cycles of the new selected clock has to be added.

**Table 25-1.** Clock Switching Timings (Worst Case)

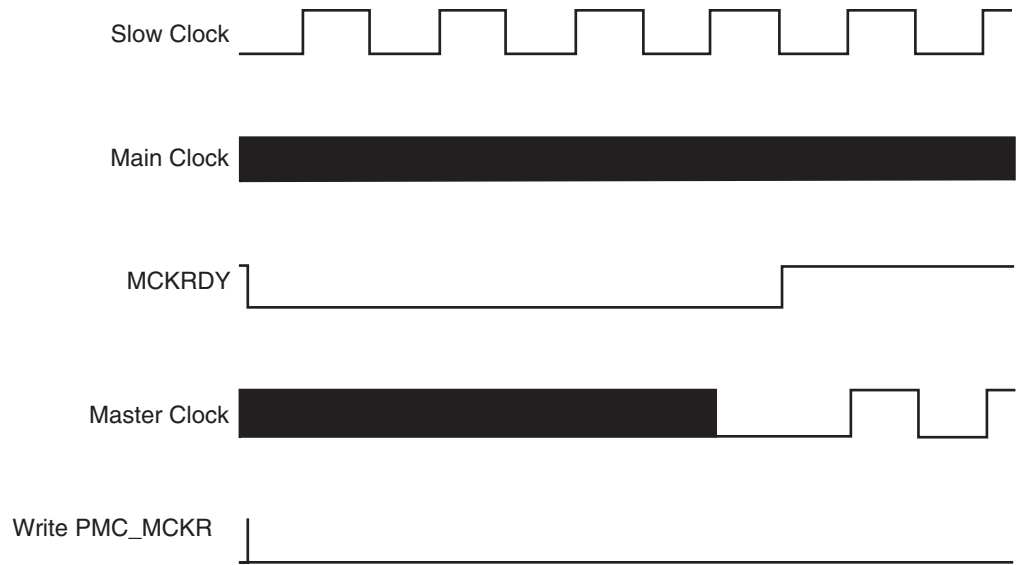
| From<br>To | Main Clock  | SLCK   | PLL Clock  |
|------------|---|--|--|
| Main Clock | –   | 4 x SLCK +<br>2.5 x Main Clock                     | 3 x PLL Clock +<br>4 x SLCK +<br>1 x Main Clock    |
| SLCK       | 0.5 x Main Clock +<br>4.5 x SLCK  | –  | 3 x PLL Clock +<br>5 x SLCK                        |
| PLL Clock  | 0.5 x Main Clock +<br>4 x SLCK +<br>PLLCOUNT x SLCK +<br>2.5 x PLLx Clock | 2.5 x PLL Clock +<br>5 x SLCK +<br>PLLCOUNT x SLCK | 2.5 x PLL Clock +<br>4 x SLCK +<br>PLLCOUNT x SLCK |

### 25.8.2 Clock Switching Waveforms

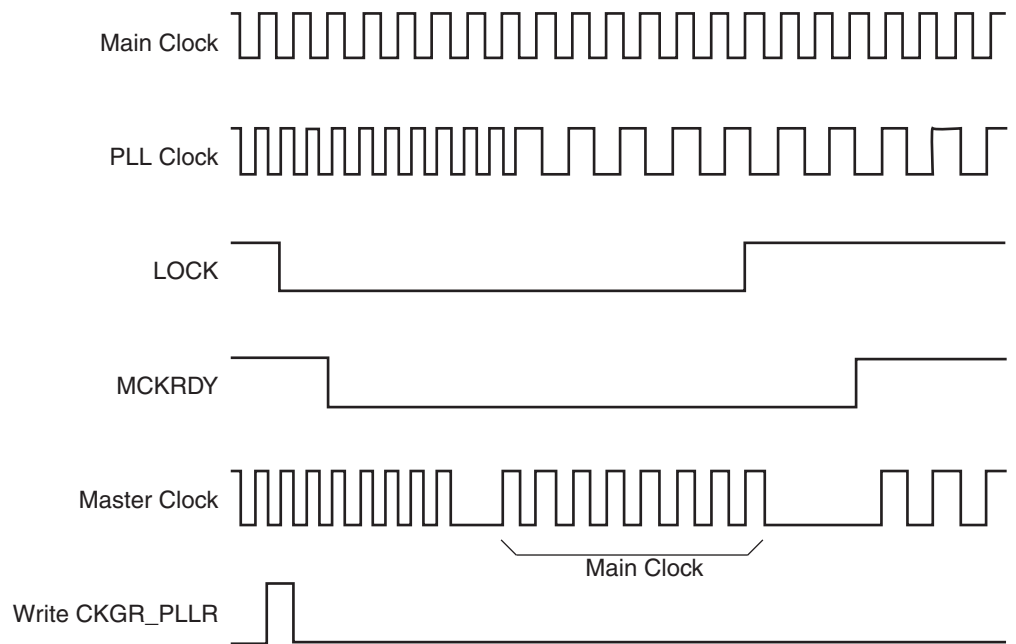
**Figure 25-3.** Switch Master Clock from Slow Clock to PLL Clock



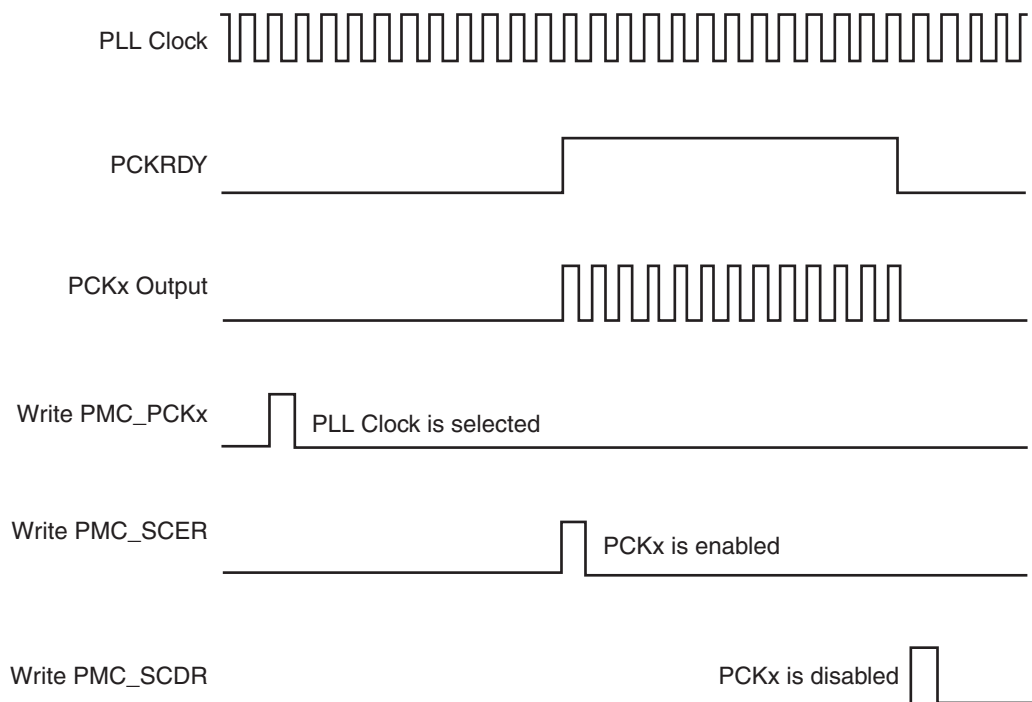
**Figure 25-4.** Switch Master Clock from Main Clock to Slow Clock



**Figure 25-5.** Change PLL Programming



**Figure 25-6.** Programmable Clock Output Programming



## 25.9 Power Management Controller (PMC) User Interface

**Table 25-2.** Register Mapping

| Offset          | Register                          | Name                     | Access     | Reset  |
|-----------------|-----------------------------------|--------------------------|------------|--------|
| 0x0000          | System Clock Enable Register      | PMC_SCER <sup>(1)</sup>  | Write-only | –      |
| 0x0004          | System Clock Disable Register     | PMC_SCDR <sup>(1)</sup>  | Write-only | –      |
| 0x0008          | System Clock Status Register      | PMC_SCSR <sup>(1)</sup>  | Read-only  | 0x01   |
| 0x000C          | Reserved                          | –                        | –          | –      |
| 0x0010          | Peripheral Clock Enable Register  | PMC_PCER                 | Write-only | –      |
| 0x0014          | Peripheral Clock Disable Register | PMC_PCDR                 | Write-only | –      |
| 0x0018          | Peripheral Clock Status Register  | PMC_PCSR                 | Read-only  | 0x0    |
| 0x001C          | Reserved                          | –                        | –          | –      |
| 0x0020          | Main Oscillator Register          | CKGR_MOR                 | Read-write | 0x0    |
| 0x0024          | Main Clock Frequency Register     | CKGR_MCFR                | Read-only  | 0x0    |
| 0x0028          | Reserved                          | –                        | –          | –      |
| 0x002C          | PLL Register                      | CKGR_PLLR <sup>(2)</sup> | Read-write | 0x3F00 |
| 0x0030          | Master Clock Register             | PMC_MCKR                 | Read-write | 0x0    |
| 0x0038          | Reserved                          | –                        | –          | –      |
| 0x003C          | Reserved                          | –                        | –          | –      |
| 0x0040          | Programmable Clock 0 Register     | PMC_PCK0                 | Read-write | 0x0    |
| 0x0044          | Programmable Clock 1 Register     | PMC_PCK1                 | Read-write | 0x0    |
| 0x0048          | Programmable Clock 2 Register     | PMC_PCK2                 | Read-write | 0x0    |
| ...             | ...                               | ...                      | ...        | ...    |
| 0x0060          | Interrupt Enable Register         | PMC_IER                  | Write-only | --     |
| 0x0064          | Interrupt Disable Register        | PMC_IDR                  | Write-only | --     |
| 0x0068          | Status Register                   | PMC_SR                   | Read-only  | 0x08   |
| 0x006C          | Interrupt Mask Register           | PMC_IMR                  | Read-only  | 0x0    |
| 0x0070 - 0x007C | Reserved                          | –                        | –          | –      |

- Notes: 1. UDP bit of this register doe not pertain to AT91SAM7S32/16.  
 2. USBDIV bit of this register does not pertain to AT91SAM7S32/16

## 25.9.1 PMC System Clock Enable Register

**Register Name:** PMC\_SCER

**Access Type:** Write-only

|     |    |    |    |    |      |      |      |
|-----|----|----|----|----|------|------|------|
| 31  | 30 | 29 | 28 | 27 | 26   | 25   | 24   |
| –   | –  | –  | –  | –  | –    | –    | –    |
| 23  | 22 | 21 | 20 | 19 | 18   | 17   | 16   |
| –   | –  | –  | –  | –  | –    | –    | –    |
| 15  | 14 | 13 | 12 | 11 | 10   | 9    | 8    |
| –   | –  | –  | –  | –  | PCK2 | PCK1 | PCK0 |
| 7   | 6  | 5  | 4  | 3  | 2    | 1    | 0    |
| UDP | –  | –  | –  | –  | –    | –    | PCK  |

- **PCK: Processor Clock Enable**

0 = No effect.

1 = Enables the Processor clock.

- **UDP: USB Device Port Clock Enable**

0 = No effect.

1 = Enables the 48 MHz clock of the USB Device Port.

(Does not pertain to AT91SAM7S32/16.)

- **PCKx: Programmable Clock x Output Enable**

0 = No effect.

1 = Enables the corresponding Programmable Clock output.



## 25.9.2 PMC System Clock Disable Register

**Register Name:** PMC\_SCDR

**Access Type:** Write-only

|     |    |    |    |    |      |      |      |
|-----|----|----|----|----|------|------|------|
| 31  | 30 | 29 | 28 | 27 | 26   | 25   | 24   |
| –   | –  | –  | –  | –  | –    | –    | –    |
| 23  | 22 | 21 | 20 | 19 | 18   | 17   | 16   |
| –   | –  | –  | –  | –  | –    | –    | –    |
| 15  | 14 | 13 | 12 | 11 | 10   | 9    | 8    |
| –   | –  | –  | –  | –  | PCK2 | PCK1 | PCK0 |
| 7   | 6  | 5  | 4  | 3  | 2    | 1    | 0    |
| UDP | –  | –  | –  | –  | –    | –    | PCK  |

- **PCK: Processor Clock Disable**

0 = No effect.

1 = Disables the Processor clock. This is used to enter the processor in Idle Mode.

- **UDP: USB Device Port Clock Disable**

0 = No effect.

1 = Disables the 48 MHz clock of the USB Device Port.

(Does not pertain to AT91SAM7S32/16.)

- **PCKx: Programmable Clock x Output Disable**

0 = No effect.

1 = Disables the corresponding Programmable Clock output.



## 25.9.3 PMC System Clock Status Register

**Register Name:** PMC\_SCSR

**Access Type:** Read-only

|     |    |    |    |    |      |      |      |
|-----|----|----|----|----|------|------|------|
| 31  | 30 | 29 | 28 | 27 | 26   | 25   | 24   |
| –   | –  | –  | –  | –  | –    | –    | –    |
| 23  | 22 | 21 | 20 | 19 | 18   | 17   | 16   |
| –   | –  | –  | –  | –  | –    | –    | –    |
| 15  | 14 | 13 | 12 | 11 | 10   | 9    | 8    |
| –   | –  | –  | –  | –  | PCK2 | PCK1 | PCK0 |
| 7   | 6  | 5  | 4  | 3  | 2    | 1    | 0    |
| UDP | –  | –  | –  | –  | –    | –    | PCK  |

- **PCK: Processor Clock Status**

0 = The Processor clock is disabled.

1 = The Processor clock is enabled.

- **UDP: USB Device Port Clock Status**

0 = The 48 MHz clock (UDPCK) of the USB Device Port is disabled.

1 = The 48 MHz clock (UDPCK) of the USB Device Port is enabled.

(Does not pertain to AT91SAM7S32/16.)

- **PCKx: Programmable Clock x Output Status**

0 = The corresponding Programmable Clock output is disabled.

1 = The corresponding Programmable Clock output is enabled.



### 25.9.4 PMC Peripheral Clock Enable Register

**Register Name:** PMC\_PCER

**Access Type:** Write-only

|       |       |       |       |       |       |       |       |
|-------|-------|-------|-------|-------|-------|-------|-------|
| 31    | 30    | 29    | 28    | 27    | 26    | 25    | 24    |
| PID31 | PID30 | PID29 | PID28 | PID27 | PID26 | PID25 | PID24 |
| 23    | 22    | 21    | 20    | 19    | 18    | 17    | 16    |
| PID23 | PID22 | PID21 | PID20 | PID19 | PID18 | PID17 | PID16 |
| 15    | 14    | 13    | 12    | 11    | 10    | 9     | 8     |
| PID15 | PID14 | PID13 | PID12 | PID11 | PID10 | PID9  | PID8  |
| 7     | 6     | 5     | 4     | 3     | 2     | 1     | 0     |
| PID7  | PID6  | PID5  | PID4  | PID3  | PID2  | -     | -     |

• **PIDx: Peripheral Clock x Enable**

0 = No effect.

1 = Enables the corresponding peripheral clock.

Note: PID2 to PID31 refer to identifiers as defined in the section “Peripheral Identifiers” in the product datasheet.

Note: Programming the control bits of the Peripheral ID that are not implemented has no effect on the behavior of the PMC.

### 25.9.5 PMC Peripheral Clock Disable Register

**Register Name:** PMC\_PCDR

**Access Type:** Write-only

|       |       |       |       |       |       |       |       |
|-------|-------|-------|-------|-------|-------|-------|-------|
| 31    | 30    | 29    | 28    | 27    | 26    | 25    | 24    |
| PID31 | PID30 | PID29 | PID28 | PID27 | PID26 | PID25 | PID24 |
| 23    | 22    | 21    | 20    | 19    | 18    | 17    | 16    |
| PID23 | PID22 | PID21 | PID20 | PID19 | PID18 | PID17 | PID16 |
| 15    | 14    | 13    | 12    | 11    | 10    | 9     | 8     |
| PID15 | PID14 | PID13 | PID12 | PID11 | PID10 | PID9  | PID8  |
| 7     | 6     | 5     | 4     | 3     | 2     | 1     | 0     |
| PID7  | PID6  | PID5  | PID4  | PID3  | PID2  | -     | -     |

• **PIDx: Peripheral Clock x Disable**

0 = No effect.

1 = Disables the corresponding peripheral clock.

Note: PID2 to PID31 refer to identifiers as defined in the section “Peripheral Identifiers” in the product datasheet.

## 25.9.6 PMC Peripheral Clock Status Register

**Register Name:** PMC\_PCSR

**Access Type:** Read-only

|       |       |       |       |       |       |       |       |
|-------|-------|-------|-------|-------|-------|-------|-------|
| 31    | 30    | 29    | 28    | 27    | 26    | 25    | 24    |
| PID31 | PID30 | PID29 | PID28 | PID27 | PID26 | PID25 | PID24 |
| 23    | 22    | 21    | 20    | 19    | 18    | 17    | 16    |
| PID23 | PID22 | PID21 | PID20 | PID19 | PID18 | PID17 | PID16 |
| 15    | 14    | 13    | 12    | 11    | 10    | 9     | 8     |
| PID15 | PID14 | PID13 | PID12 | PID11 | PID10 | PID9  | PID8  |
| 7     | 6     | 5     | 4     | 3     | 2     | 1     | 0     |
| PID7  | PID6  | PID5  | PID4  | PID3  | PID2  | –     | –     |

- **PIDx: Peripheral Clock x Status**

0 = The corresponding peripheral clock is disabled.

1 = The corresponding peripheral clock is enabled.

Note: PID2 to PID31 refer to identifiers as defined in the section “Peripheral Identifiers” in the product datasheet.

### 25.9.7 PMC Clock Generator Main Oscillator Register

**Register Name:** CKGR\_MOR

**Access Type:** Read-write

|           |    |    |    |    |    |           |        |
|-----------|----|----|----|----|----|-----------|--------|
| 31        | 30 | 29 | 28 | 27 | 26 | 25        | 24     |
| –         | –  | –  | –  | –  | –  | –         | –      |
| 23        | 22 | 21 | 20 | 19 | 18 | 17        | 16     |
| –         | –  | –  | –  | –  | –  | –         | –      |
| 15        | 14 | 13 | 12 | 11 | 10 | 9         | 8      |
| OSCOUNTER |    |    |    |    |    |           |        |
| 7         | 6  | 5  | 4  | 3  | 2  | 1         | 0      |
| –         | –  | –  | –  | –  | –  | OSCBYPASS | MOSCEN |

- **MOSCEN: Main Oscillator Enable**

A crystal must be connected between XIN and XOUT.

0 = The Main Oscillator is disabled.

1 = The Main Oscillator is enabled. OSCBYPASS must be set to 0.

When MOSCEN is set, the MOSCS flag is set once the Main Oscillator startup time is achieved.

- **OSCBYPASS: Oscillator Bypass**

0 = No effect.

1 = The Main Oscillator is bypassed. MOSCEN must be set to 0. An external clock must be connected on XIN.

When OSCBYPASS is set, the MOSCS flag in PMC\_SR is automatically set.

Clearing MOSCEN and OSCBYPASS bits allows resetting the MOSCS flag.

- **OSCOUNTER: Main Oscillator Start-up Time**

Specifies the number of Slow Clock cycles multiplied by 8 for the Main Oscillator start-up time.

## 25.9.8 PMC Clock Generator Main Clock Frequency Register

**Register Name:** CKGR\_MCFR

**Access Type:** Read-only

|       |    |    |    |    |    |    |         |
|-------|----|----|----|----|----|----|---------|
| 31    | 30 | 29 | 28 | 27 | 26 | 25 | 24      |
| –     | –  | –  | –  | –  | –  | –  | –       |
| 23    | 22 | 21 | 20 | 19 | 18 | 17 | 16      |
| –     | –  | –  | –  | –  | –  | –  | MAINRDY |
| 15    | 14 | 13 | 12 | 11 | 10 | 9  | 8       |
| MAINF |    |    |    |    |    |    |         |
| 7     | 6  | 5  | 4  | 3  | 2  | 1  | 0       |
| MAINF |    |    |    |    |    |    |         |

- **MAINF: Main Clock Frequency**

Gives the number of Main Clock cycles within 16 Slow Clock periods.

- **MAINRDY: Main Clock Ready**

0 = MAINF value is not valid or the Main Oscillator is disabled.

1 = The Main Oscillator has been enabled previously and MAINF value is available.



### 25.9.9 PMC Clock Generator PLL Register

**Register Name:** CKGR\_PLLR

**Access Type:** Read-write

|     |    |          |    |    |    |     |    |
|-----|----|----------|----|----|----|-----|----|
| 31  | 30 | 29       | 28 | 27 | 26 | 25  | 24 |
| -   |    | USBDIV   |    | -  |    | MUL |    |
| 23  | 22 | 21       | 20 | 19 | 18 | 17  | 16 |
| MUL |    |          |    |    |    |     |    |
| 15  | 14 | 13       | 12 | 11 | 10 | 9   | 8  |
| OUT |    | PLLCOUNT |    |    |    |     |    |
| 7   | 6  | 5        | 4  | 3  | 2  | 1   | 0  |
| DIV |    |          |    |    |    |     |    |

Possible limitations on PLL input frequencies and multiplier factors should be checked before using the PMC.

• **DIV: Divider**

| DIV     | Divider Selected                                     |
|---------|--|
| 0       | Divider output is 0                                  |
| 1       | Divider is bypassed                                  |
| 2 - 255 | Divider output is the selected clock divided by DIV. |

• **PLLCOUNT: PLL Counter**

Specifies the number of slow clock cycles before the LOCK bit is set in PMC\_SR after CKGR\_PLLR is written.

• **OUT: PLL Clock Frequency Range**

To optimize clock performance, this field must be programmed as specified in “PLL Characteristics” in the Electrical Characteristics section of the product datasheet.

• **MUL: PLL Multiplier**

0 = The PLL is deactivated.

1 up to 2047 = The PLL Clock frequency is the PLL input frequency multiplied by MUL+ 1.

• **USBDIV: Divider for USB Clock (Does not Pertain to AT91SAM73S2/16)**

| USBDIV | Divider for USB Clock(s) |  |
|--------|--------------------------|--|
| 0      | 0                        | Divider output is PLL clock output.              |
| 0      | 1                        | Divider output is PLL clock output divided by 2. |
| 1      | 0                        | Divider output is PLL clock output divided by 4. |
| 1      | 1                        | Reserved.  |

## 25.9.10 PMC Master Clock Register

Register Name: PMC\_MCKR

Access Type: Read-write

|    |    |    |      |    |    |     |    |
|----|----|----|------|----|----|-----|----|
| 31 | 30 | 29 | 28   | 27 | 26 | 25  | 24 |
| –  | –  | –  | –    | –  | –  | –   | –  |
| 23 | 22 | 21 | 20   | 19 | 18 | 17  | 16 |
| –  | –  | –  | –    | –  | –  | –   | –  |
| 15 | 14 | 13 | 12   | 11 | 10 | 9   | 8  |
| –  | –  | –  | –    | –  | –  | –   | –  |
| 7  | 6  | 5  | 4    | 3  | 2  | 1   | 0  |
| –  | –  | –  | PRES |    |    | CSS |    |

- **CSS: Master Clock Selection**

| CSS |   | Clock Source Selection |
|-----|---|------------------------|
| 0   | 0 | Slow Clock is selected |
| 0   | 1 | Main Clock is selected |
| 1   | 0 | Reserved               |
| 1   | 1 | PLL Clock is selected. |

- **PRES: Processor Clock Prescaler**

| PRES |   |   | Processor Clock              |
|------|---|---|------------------------------|
| 0    | 0 | 0 | Selected clock               |
| 0    | 0 | 1 | Selected clock divided by 2  |
| 0    | 1 | 0 | Selected clock divided by 4  |
| 0    | 1 | 1 | Selected clock divided by 8  |
| 1    | 0 | 0 | Selected clock divided by 16 |
| 1    | 0 | 1 | Selected clock divided by 32 |
| 1    | 1 | 0 | Selected clock divided by 64 |
| 1    | 1 | 1 | Reserved                     |



### 25.9.11 PMC Programmable Clock Register

Register Name: PMC\_PCKx

Access Type: Read-write

|    |    |    |      |    |    |     |    |
|----|----|----|------|----|----|-----|----|
| 31 | 30 | 29 | 28   | 27 | 26 | 25  | 24 |
| –  | –  | –  | –    | –  | –  | –   | –  |
| 23 | 22 | 21 | 20   | 19 | 18 | 17  | 16 |
| –  | –  | –  | –    | –  | –  | –   | –  |
| 15 | 14 | 13 | 12   | 11 | 10 | 9   | 8  |
| –  | –  | –  | –    | –  | –  | –   | –  |
| 7  | 6  | 5  | 4    | 3  | 2  | 1   | 0  |
| –  | –  | –  | PRES |    |    | CSS |    |

• **CSS: Master Clock Selection**

| CSS |   | Clock Source Selection |                        |
|-----|---|------------------------|------------------------|
| 0   | 0 | 0                      | Slow Clock is selected |
| 0   | 1 | 1                      | Main Clock is selected |
| 1   | 0 | 0                      | Reserved               |
| 1   | 1 | 1                      | PLL Clock is selected  |

• **PRES: Programmable Clock Prescaler**

| PRES |   |   | Programmable Clock           |
|------|---|---|------------------------------|
| 0    | 0 | 0 | Selected clock               |
| 0    | 0 | 1 | Selected clock divided by 2  |
| 0    | 1 | 0 | Selected clock divided by 4  |
| 0    | 1 | 1 | Selected clock divided by 8  |
| 1    | 0 | 0 | Selected clock divided by 16 |
| 1    | 0 | 1 | Selected clock divided by 32 |
| 1    | 1 | 0 | Selected clock divided by 64 |
| 1    | 1 | 1 | Reserved                     |



## 25.9.12 PMC Interrupt Enable Register

**Register Name:** PMC\_IER

**Access Type:** Write-only

|    |    |    |    |        |         |         |         |
|----|----|----|----|--------|---------|---------|---------|
| 31 | 30 | 29 | 28 | 27     | 26      | 25      | 24      |
| –  | –  | –  | –  | –      | –       | –       | –       |
| 23 | 22 | 21 | 20 | 19     | 18      | 17      | 16      |
| –  | –  | –  | –  | –      | –       | –       | –       |
| 15 | 14 | 13 | 12 | 11     | 10      | 9       | 8       |
| –  | –  | –  | –  | –      | PCKRDY2 | PCKRDY1 | PCKRDY0 |
| 7  | 6  | 5  | 4  | 3      | 2       | 1       | 0       |
| –  | –  | –  | –  | MCKRDY | LOCK    | –       | MOSCS   |

- **MOSCS: Main Oscillator Status Interrupt Enable**
- **LOCK: PLL Lock Interrupt Enable**
- **MCKRDY: Master Clock Ready Interrupt Enable**
- **PCKRDYx: Programmable Clock Ready x Interrupt Enable**

0 = No effect.

1 = Enables the corresponding interrupt.

### 25.9.13 PMC Interrupt Disable Register

**Register Name:** PMC\_IDR

**Access Type:** Write-only

|    |    |    |    |        |         |         |         |
|----|----|----|----|--------|---------|---------|---------|
| 31 | 30 | 29 | 28 | 27     | 26      | 25      | 24      |
| –  | –  | –  | –  | –      | –       | –       | –       |
| 23 | 22 | 21 | 20 | 19     | 18      | 17      | 16      |
| –  | –  | –  | –  | –      | –       | –       | –       |
| 15 | 14 | 13 | 12 | 11     | 10      | 9       | 8       |
| –  | –  | –  | –  | –      | PCKRDY2 | PCKRDY1 | PCKRDY0 |
| 7  | 6  | 5  | 4  | 3      | 2       | 1       | 0       |
| –  | –  | –  | –  | MCKRDY | LOCK    | –       | MOSCS   |

- **MOSCS: Main Oscillator Status Interrupt Disable**
- **LOCK: PLL Lock Interrupt Disable**
- **MCKRDY: Master Clock Ready Interrupt Disable**
- **PCKRDYx: Programmable Clock Ready x Interrupt Disable**

0 = No effect.

1 = Disables the corresponding interrupt.

## 25.9.14 PMC Status Register

**Register Name:** PMC\_SR

**Access Type:** Read-only

|    |    |    |    |        |         |         |         |
|----|----|----|----|--------|---------|---------|---------|
| 31 | 30 | 29 | 28 | 27     | 26      | 25      | 24      |
| –  | –  | –  | –  | –      | –       | –       | –       |
| 23 | 22 | 21 | 20 | 19     | 18      | 17      | 16      |
| –  | –  | –  | –  | –      | –       | –       | –       |
| 15 | 14 | 13 | 12 | 11     | 10      | 9       | 8       |
| –  | –  | –  | –  | –      | PCKRDY2 | PCKRDY1 | PCKRDY0 |
| 7  | 6  | 5  | 4  | 3      | 2       | 1       | 0       |
| –  | –  | –  | –  | MCKRDY | LOCK    | –       | MOSCS   |

- **MOSCS: MOSCS Flag Status**

0 = Main oscillator is not stabilized.

1 = Main oscillator is stabilized.

- **LOCK: PLL Lock Status**

0 = PLL is not locked

1 = PLL is locked.

- **MCKRDY: Master Clock Status**

0 = Master Clock is not ready.

1 = Master Clock is ready.

- **PCKRDYx: Programmable Clock Ready Status**

0 = Programmable Clock x is not ready.

1 = Programmable Clock x is ready.

### 25.9.15 PMC Interrupt Mask Register

**Register Name:** PMC\_IMR

**Access Type:** Read-only

|    |    |    |    |        |         |         |         |
|----|----|----|----|--------|---------|---------|---------|
| 31 | 30 | 29 | 28 | 27     | 26      | 25      | 24      |
| –  | –  | –  | –  | –      | –       | –       | –       |
| 23 | 22 | 21 | 20 | 19     | 18      | 17      | 16      |
| –  | –  | –  | –  | –      | –       | –       | –       |
| 15 | 14 | 13 | 12 | 11     | 10      | 9       | 8       |
| –  | –  | –  | –  | –      | PCKRDY2 | PCKRDY1 | PCKRDY0 |
| 7  | 6  | 5  | 4  | 3      | 2       | 1       | 0       |
| –  | –  | –  | –  | MCKRDY | LOCK    | –       | MOSCS   |

- **MOSCS: Main Oscillator Status Interrupt Mask**
- **LOCK: PLL Lock Interrupt Mask**
- **MCKRDY: Master Clock Ready Interrupt Mask**
- **PCKRDYx: Programmable Clock Ready x Interrupt Mask**

0 = The corresponding interrupt is enabled.

1 = The corresponding interrupt is disabled.

## 26. Debug Unit (DBGU)

### 26.1 Overview

The Debug Unit provides a single entry point from the processor for access to all the debug capabilities of Atmel's ARM-based systems.

The Debug Unit features a two-pin UART that can be used for several debug and trace purposes and offers an ideal medium for in-situ programming solutions and debug monitor communications. Moreover, the association with two peripheral data controller channels permits packet handling for these tasks with processor time reduced to a minimum.

The Debug Unit also makes the Debug Communication Channel (DCC) signals provided by the In-circuit Emulator of the ARM processor visible to the software. These signals indicate the status of the DCC read and write registers and generate an interrupt to the ARM processor, making possible the handling of the DCC under interrupt control.

Chip Identifier registers permit recognition of the device and its revision. These registers inform as to the sizes and types of the on-chip memories, as well as the set of embedded peripherals.

Finally, the Debug Unit features a Force NTRST capability that enables the software to decide whether to prevent access to the system via the In-circuit Emulator. This permits protection of the code, stored in ROM.

## 26.2 Block Diagram

Figure 26-1. Debug Unit Functional Block Diagram

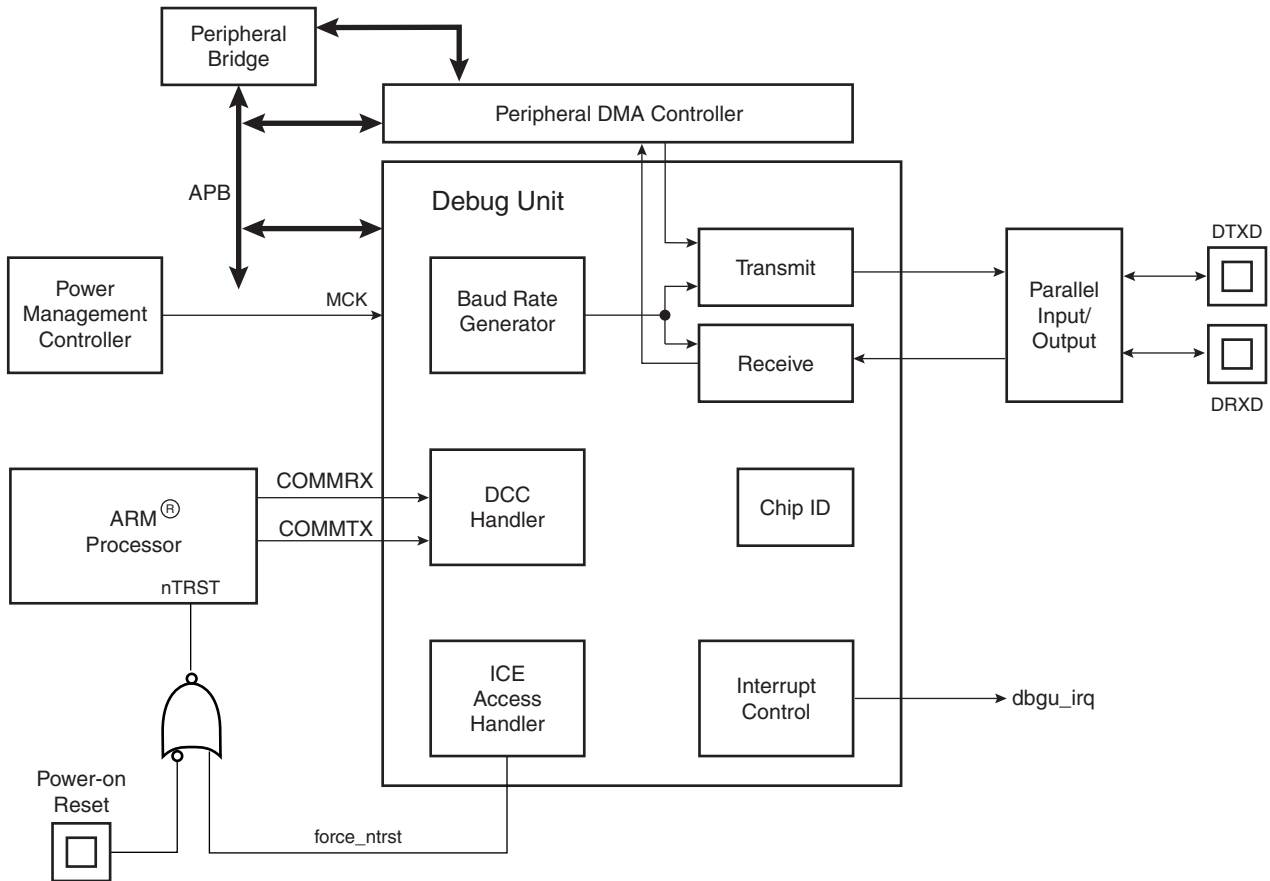
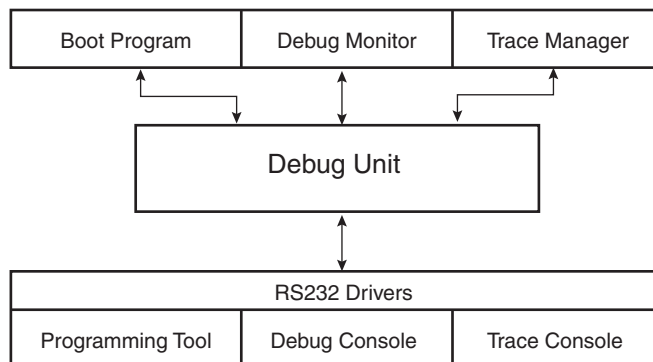


Table 26-1. Debug Unit Pin Description

| Pin Name | Description         | Type   |
|----------|---------------------|--------|
| DRXD     | Debug Receive Data  | Input  |
| DTXD     | Debug Transmit Data | Output |

### Debug Unit Application Example



## 26.3 Product Dependencies

### 26.3.1 I/O Lines

Depending on product integration, the Debug Unit pins may be multiplexed with PIO lines. In this case, the programmer must first configure the corresponding PIO Controller to enable I/O lines operations of the Debug Unit.

### 26.3.2 Power Management

Depending on product integration, the Debug Unit clock may be controllable through the Power Management Controller. In this case, the programmer must first configure the PMC to enable the Debug Unit clock. Usually, the peripheral identifier used for this purpose is 1.

### 26.3.3 Interrupt Source

Depending on product integration, the Debug Unit interrupt line is connected to one of the interrupt sources of the Advanced Interrupt Controller. Interrupt handling requires programming of the AIC before configuring the Debug Unit. Usually, the Debug Unit interrupt line connects to the interrupt source 1 of the AIC, which may be shared with the real-time clock, the system timer interrupt lines and other system peripheral interrupts, as shown in [Figure 26-1](#). This sharing requires the programmer to determine the source of the interrupt when the source 1 is triggered.

## 26.4 UART Operations

The Debug Unit operates as a UART, (asynchronous mode only) and supports only 8-bit character handling (with parity). It has no clock pin.

The Debug Unit's UART is made up of a receiver and a transmitter that operate independently, and a common baud rate generator. Receiver timeout and transmitter time guard are not implemented. However, all the implemented features are compatible with those of a standard USART.

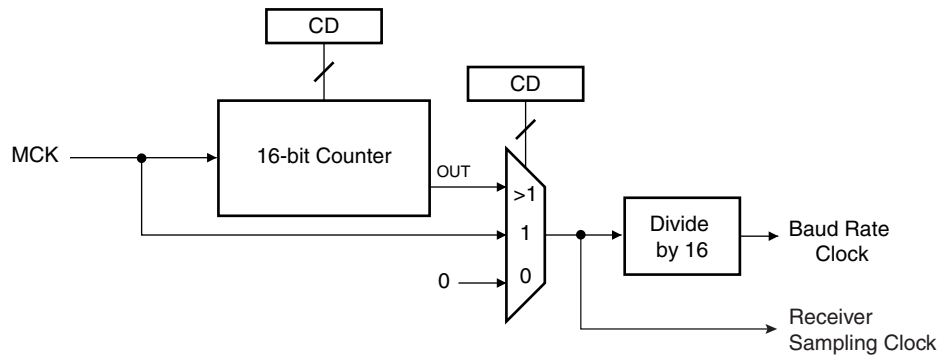
### 26.4.1 Baud Rate Generator

The baud rate generator provides the bit period clock named baud rate clock to both the receiver and the transmitter.

The baud rate clock is the master clock divided by 16 times the value (CD) written in DBGU\_BRGR (Baud Rate Generator Register). If DBGU\_BRGR is set to 0, the baud rate clock is disabled and the Debug Unit's UART remains inactive. The maximum allowable baud rate is Master Clock divided by 16. The minimum allowable baud rate is Master Clock divided by (16 x 65536).

$$\text{Baud Rate} = \frac{\text{MCK}}{16 \times \text{CD}}$$

**Figure 26-2.** Baud Rate Generator



## 26.4.2 Receiver

### 26.4.2.1 Receiver Reset, Enable and Disable

After device reset, the Debug Unit receiver is disabled and must be enabled before being used. The receiver can be enabled by writing the control register `DBGU_CR` with the bit `RXEN` at 1. At this command, the receiver starts looking for a start bit.

The programmer can disable the receiver by writing `DBGU_CR` with the bit `RXDIS` at 1. If the receiver is waiting for a start bit, it is immediately stopped. However, if the receiver has already detected a start bit and is receiving the data, it waits for the stop bit before actually stopping its operation.

The programmer can also put the receiver in its reset state by writing `DBGU_CR` with the bit `RSTRX` at 1. In doing so, the receiver immediately stops its current operations and is disabled, whatever its current state. If `RSTRX` is applied when data is being processed, this data is lost.

### 26.4.2.2 Start Detection and Data Sampling

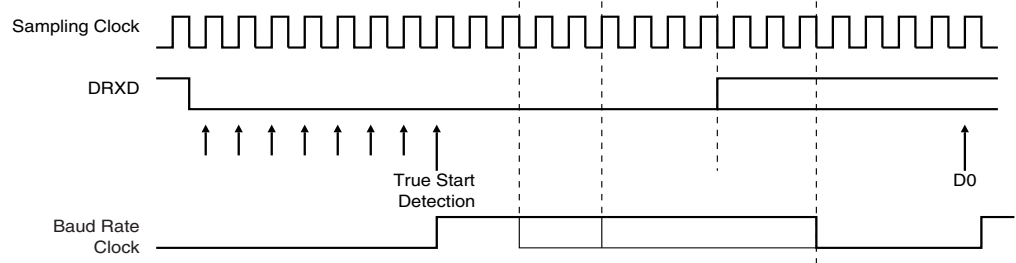
The Debug Unit only supports asynchronous operations, and this affects only its receiver. The Debug Unit receiver detects the start of a received character by sampling the `DRXD` signal until it detects a valid start bit. A low level (space) on `DRXD` is interpreted as a valid start bit if it is detected for more than 7 cycles of the sampling clock, which is 16 times the baud rate. Hence, a space that is longer than  $7/16$  of the bit period is detected as a valid start bit. A space which is  $7/16$  of a bit period or shorter is ignored and the receiver continues to wait for a valid start bit.

When a valid start bit has been detected, the receiver samples the `DRXD` at the theoretical midpoint of each bit. It is assumed that each bit lasts 16 cycles of the sampling clock (1-bit period) so the bit sampling point is eight cycles (0.5-bit period) after the start of the bit. The first sampling point is therefore 24 cycles (1.5-bit periods) after the falling edge of the start bit was detected.

Each subsequent bit is sampled 16 cycles (1-bit period) after the previous one.

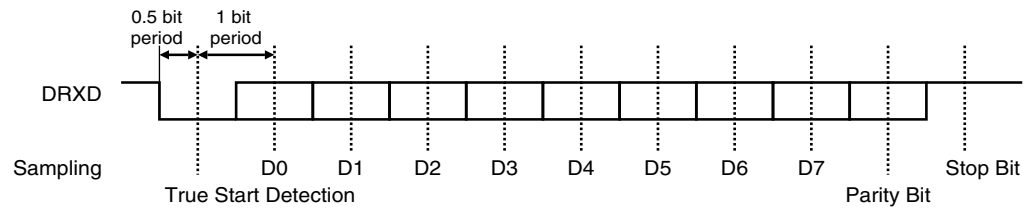


**Figure 26-3. Start Bit Detection**



**Figure 26-4. Character Reception**

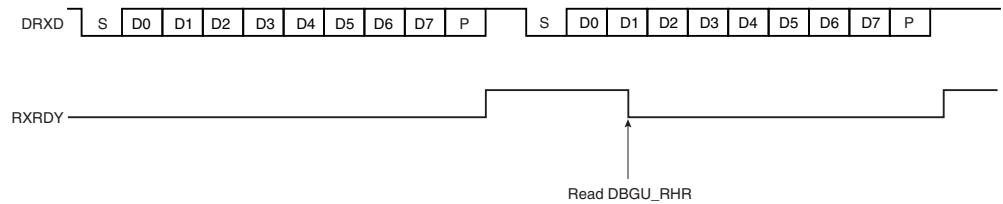
Example: 8-bit, parity enabled 1 stop



### 26.4.2.3 Receiver Ready

When a complete character is received, it is transferred to the DBGU\_RHR and the RXRDY status bit in DBGU\_SR (Status Register) is set. The bit RXRDY is automatically cleared when the receive holding register DBGU\_RHR is read.

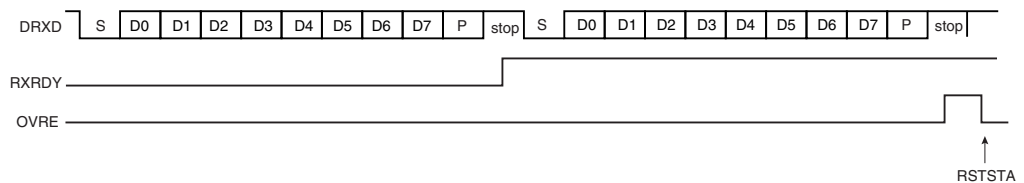
**Figure 26-5. Receiver Ready**



### 26.4.2.4 Receiver Overrun

If DBGU\_RHR has not been read by the software (or the Peripheral Data Controller) since the last transfer, the RXRDY bit is still set and a new character is received, the OVRE status bit in DBGU\_SR is set. OVRE is cleared when the software writes the control register DBGU\_CR with the bit RSTSTA (Reset Status) at 1.

**Figure 26-6. Receiver Overrun**

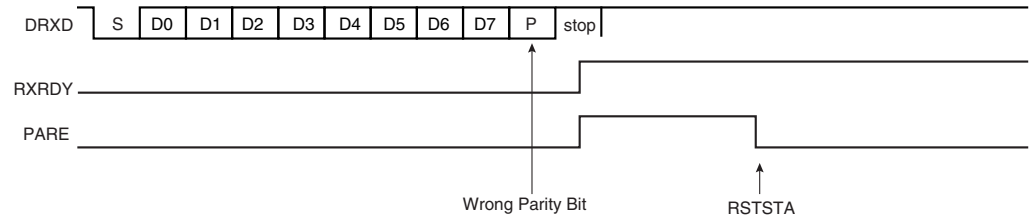


### 26.4.2.5 Parity Error

Each time a character is received, the receiver calculates the parity of the received data bits, in accordance with the field PAR in DBGU\_MR. It then compares the result with the received parity

bit. If different, the parity error bit PARE in DBGU\_SR is set at the same time the RXRDY is set. The parity bit is cleared when the control register DBGU\_CR is written with the bit RSTSTA (Reset Status) at 1. If a new character is received before the reset status command is written, the PARE bit remains at 1.

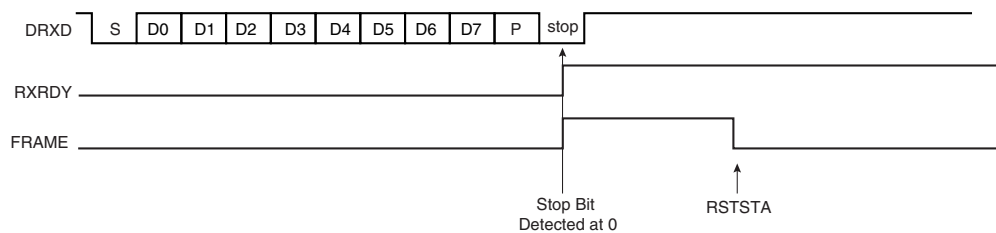
**Figure 26-7.** Parity Error



### 26.4.2.6 Receiver Framing Error

When a start bit is detected, it generates a character reception when all the data bits have been sampled. The stop bit is also sampled and when it is detected at 0, the FRAME (Framing Error) bit in DBGU\_SR is set at the same time the RXRDY bit is set. The bit FRAME remains high until the control register DBGU\_CR is written with the bit RSTSTA at 1.

**Figure 26-8.** Receiver Framing Error



## 26.4.3 Transmitter

### 26.4.3.1 Transmitter Reset, Enable and Disable

After device reset, the Debug Unit transmitter is disabled and it must be enabled before being used. The transmitter is enabled by writing the control register DBGU\_CR with the bit TXEN at 1. From this command, the transmitter waits for a character to be written in the Transmit Holding Register DBGU\_THR before actually starting the transmission.

The programmer can disable the transmitter by writing DBGU\_CR with the bit TXDIS at 1. If the transmitter is not operating, it is immediately stopped. However, if a character is being processed into the Shift Register and/or a character has been written in the Transmit Holding Register, the characters are completed before the transmitter is actually stopped.

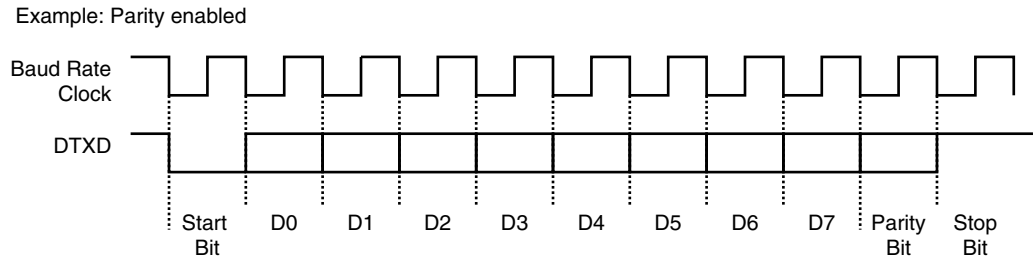
The programmer can also put the transmitter in its reset state by writing the DBGU\_CR with the bit RSTTX at 1. This immediately stops the transmitter, whether or not it is processing characters.

### 26.4.3.2 Transmit Format

The Debug Unit transmitter drives the pin DTXD at the baud rate clock speed. The line is driven depending on the format defined in the Mode Register and the data stored in the Shift Register. One start bit at level 0, then the 8 data bits, from the lowest to the highest bit, one optional parity bit and one stop bit at 1 are consecutively shifted out as shown on the following figure. The field

PARE in the mode register DBGU\_MR defines whether or not a parity bit is shifted out. When a parity bit is enabled, it can be selected between an odd parity, an even parity, or a fixed space or mark bit.

**Figure 26-9.** Character Transmission

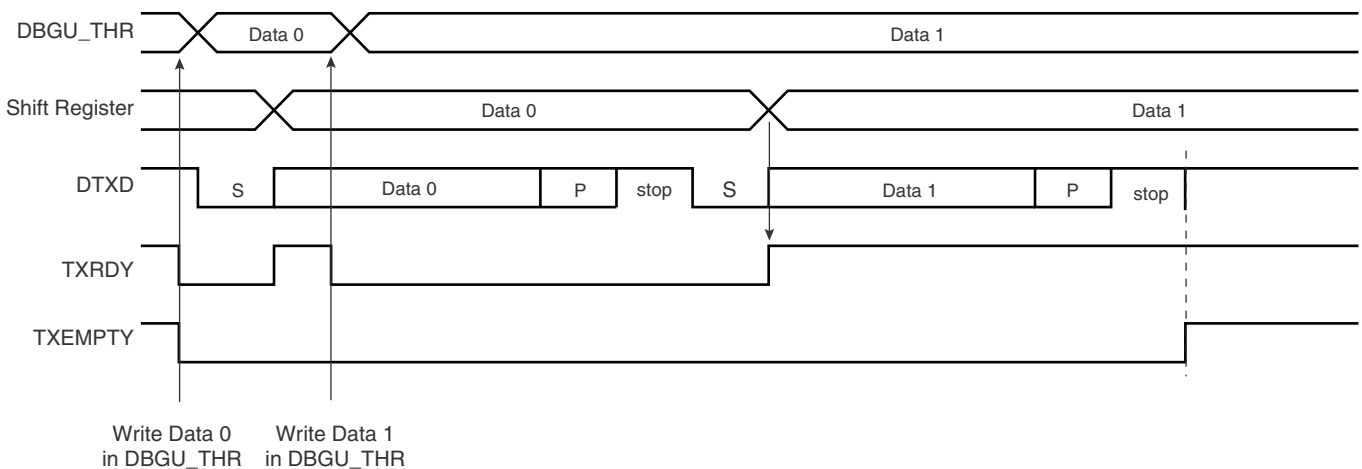


### 26.4.3.3 Transmitter Control

When the transmitter is enabled, the bit TXRDY (Transmitter Ready) is set in the status register DBGU\_SR. The transmission starts when the programmer writes in the Transmit Holding Register DBGU\_THR, and after the written character is transferred from DBGU\_THR to the Shift Register. The bit TXRDY remains high until a second character is written in DBGU\_THR. As soon as the first character is completed, the last character written in DBGU\_THR is transferred into the shift register and TXRDY rises again, showing that the holding register is empty.

When both the Shift Register and the DBGU\_THR are empty, i.e., all the characters written in DBGU\_THR have been processed, the bit TXEMPTY rises after the last stop bit has been completed.

**Figure 26-10.** Transmitter Control



### 26.4.4 Peripheral Data Controller

Both the receiver and the transmitter of the Debug Unit's UART are generally connected to a Peripheral Data Controller (PDC) channel.

The peripheral data controller channels are programmed via registers that are mapped within the Debug Unit user interface from the offset 0x100. The status bits are reported in the Debug Unit status register DBGU\_SR and can generate an interrupt.

The RXRDY bit triggers the PDC channel data transfer of the receiver. This results in a read of the data in DBGU\_RHR. The TXRDY bit triggers the PDC channel data transfer of the transmitter. This results in a write of a data in DBGU\_THR.

### 26.4.5 Test Modes

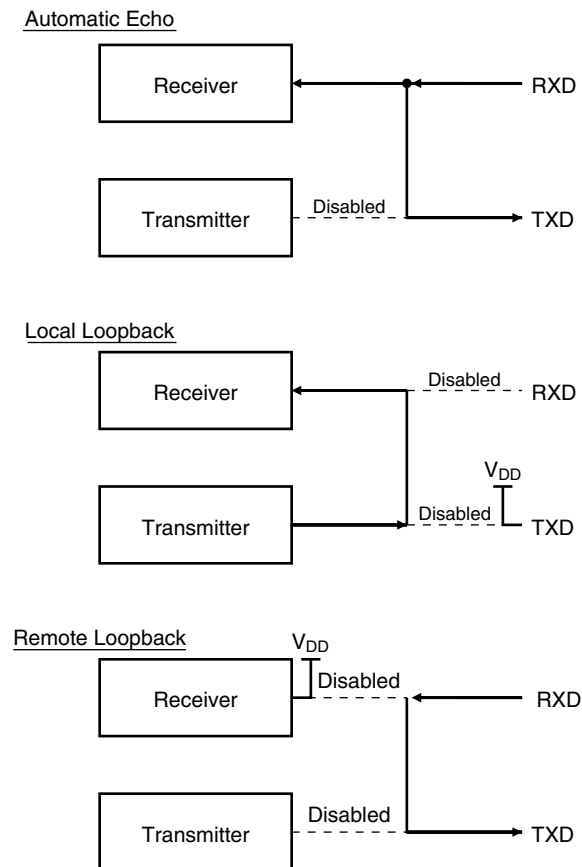
The Debug Unit supports three tests modes. These modes of operation are programmed by using the field CHMODE (Channel Mode) in the mode register DBGU\_MR.

The Automatic Echo mode allows bit-by-bit retransmission. When a bit is received on the DRXD line, it is sent to the DTXD line. The transmitter operates normally, but has no effect on the DTXD line.

The Local Loopback mode allows the transmitted characters to be received. DTXD and DRXD pins are not used and the output of the transmitter is internally connected to the input of the receiver. The DRXD pin level has no effect and the DTXD line is held high, as in idle state.

The Remote Loopback mode directly connects the DRXD pin to the DTXD line. The transmitter and the receiver are disabled and have no effect. This mode allows a bit-by-bit retransmission.

**Figure 26-11.** Test Modes



### 26.4.6 Debug Communication Channel Support

The Debug Unit handles the signals COMMRX and COMMTX that come from the Debug Communication Channel of the ARM Processor and are driven by the In-circuit Emulator.

The Debug Communication Channel contains two registers that are accessible through the ICE Breaker on the JTAG side and through the coprocessor 0 on the ARM Processor side.

As a reminder, the following instructions are used to read and write the Debug Communication Channel:

```
MRC    p14, 0, Rd, c1, c0, 0
```

Returns the debug communication data read register into Rd

```
MCR    p14, 0, Rd, c1, c0, 0
```

Writes the value in Rd to the debug communication data write register.

The bits COMMRX and COMMTX, which indicate, respectively, that the read register has been written by the debugger but not yet read by the processor, and that the write register has been written by the processor and not yet read by the debugger, are wired on the two highest bits of the status register DBGU\_SR. These bits can generate an interrupt. This feature permits handling under interrupt a debug link between a debug monitor running on the target system and a debugger.

## 26.4.7 Chip Identifier

The Debug Unit features two chip identifier registers, DBGU\_CIDR (Chip ID Register) and DBGU\_EXID (Extension ID). Both registers contain a hard-wired value that is read-only. The first register contains the following fields:

- EXT - shows the use of the extension identifier register
- NVPTYP and NVPSIZ - identifies the type of embedded non-volatile memory and its size
- ARCH - identifies the set of embedded peripheral
- SRAMSIZ - indicates the size of the embedded SRAM
- EPROC - indicates the embedded ARM processor
- VERSION - gives the revision of the silicon

The second register is device-dependent and reads 0 if the bit EXT is 0.

## 26.4.8 ICE Access Prevention

The Debug Unit allows blockage of access to the system through the ARM processor's ICE interface. This feature is implemented via the register Force NTRST (DBGU\_FNR), that allows assertion of the NTRST signal of the ICE Interface. Writing the bit FNTRST (Force NTRST) to 1 in this register prevents any activity on the TAP controller.

On standard devices, the FNTRST bit resets to 0 and thus does not prevent ICE access.

This feature is especially useful on custom ROM devices for customers who do not want their on-chip code to be visible.

## 26.5 Debug Unit (DBGU) User Interface

**Table 26-2.** Memory Mapping

| Offset          | Register                     | Name      | Access     | Reset |
|-----------------|------------------------------|-----------|------------|-------|
| 0x0000          | Control Register             | DBGU_CR   | Write-only | –     |
| 0x0004          | Mode Register                | DBGU_MR   | Read-write | 0x0   |
| 0x0008          | Interrupt Enable Register    | DBGU_IER  | Write-only | –     |
| 0x000C          | Interrupt Disable Register   | DBGU_IDR  | Write-only | –     |
| 0x0010          | Interrupt Mask Register      | DBGU_IMR  | Read-only  | 0x0   |
| 0x0014          | Status Register              | DBGU_SR   | Read-only  | –     |
| 0x0018          | Receive Holding Register     | DBGU_RHR  | Read-only  | 0x0   |
| 0x001C          | Transmit Holding Register    | DBGU_THR  | Write-only | –     |
| 0x0020          | Baud Rate Generator Register | DBGU_BRGR | Read-write | 0x0   |
| 0x0024 - 0x003C | Reserved                     | –         | –          | –     |
| 0x0040          | Chip ID Register             | DBGU_CIDR | Read-only  | –     |
| 0x0044          | Chip ID Extension Register   | DBGU_EXID | Read-only  | –     |
| 0x0048          | Force NTRST Register         | DBGU_FNR  | Read-write | 0x0   |
| 0x004C - 0x00FC | Reserved                     | –         | –          | –     |
| 0x0100 - 0x0124 | PDC Area                     | –         | –          | –     |

## 26.5.1 Debug Unit Control Register

**Name:** DBGU\_CR

**Access Type:** Write-only

|       |      |       |      |       |       |    |        |
|-------|------|-------|------|-------|-------|----|--------|
| 31    | 30   | 29    | 28   | 27    | 26    | 25 | 24     |
| –     | –    | –     | –    | –     | –     | –  | –      |
| 23    | 22   | 21    | 20   | 19    | 18    | 17 | 16     |
| –     | –    | –     | –    | –     | –     | –  | –      |
| 15    | 14   | 13    | 12   | 11    | 10    | 9  | 8      |
| –     | –    | –     | –    | –     | –     | –  | RSTSTA |
| 7     | 6    | 5     | 4    | 3     | 2     | 1  | 0      |
| TXDIS | TXEN | RXDIS | RXEN | RSTTX | RSTRX | –  | –      |

- **RSTRX: Reset Receiver**

0 = No effect.

1 = The receiver logic is reset and disabled. If a character is being received, the reception is aborted.

- **RSTTX: Reset Transmitter**

0 = No effect.

1 = The transmitter logic is reset and disabled. If a character is being transmitted, the transmission is aborted.

- **RXEN: Receiver Enable**

0 = No effect.

1 = The receiver is enabled if RXDIS is 0.

- **RXDIS: Receiver Disable**

0 = No effect.

1 = The receiver is disabled. If a character is being processed and RSTRX is not set, the character is completed before the receiver is stopped.

- **TXEN: Transmitter Enable**

0 = No effect.

1 = The transmitter is enabled if TXDIS is 0.

- **TXDIS: Transmitter Disable**

0 = No effect.

1 = The transmitter is disabled. If a character is being processed and a character has been written the DBGU\_THR and RSTTX is not set, both characters are completed before the transmitter is stopped.

- **RSTSTA: Reset Status Bits**

0 = No effect.

1 = Resets the status bits PARE, FRAME and OVRE in the DBGU\_SR.



## 26.5.2 Debug Unit Mode Register

Name: DBGU\_MR

Access Type: Read-write

|        |    |    |    |     |    |    |    |
|--------|----|----|----|-----|----|----|----|
| 31     | 30 | 29 | 28 | 27  | 26 | 25 | 24 |
| –      | –  | –  | –  | –   | –  | –  | –  |
| 23     | 22 | 21 | 20 | 19  | 18 | 17 | 16 |
| –      | –  | –  | –  | –   | –  | –  | –  |
| 15     | 14 | 13 | 12 | 11  | 10 | 9  | 8  |
| CHMODE |    | –  | –  | PAR |    | –  |    |
| 7      | 6  | 5  | 4  | 3   | 2  | 1  | 0  |
| –      | –  | –  | –  | –   | –  | –  | –  |

### • PAR: Parity Type

| PAR |   |   | Parity Type               |
|-----|---|---|---------------------------|
| 0   | 0 | 0 | Even parity               |
| 0   | 0 | 1 | Odd parity                |
| 0   | 1 | 0 | Space: parity forced to 0 |
| 0   | 1 | 1 | Mark: parity forced to 1  |
| 1   | x | x | No parity                 |

### • CHMODE: Channel Mode

| CHMODE |   | Mode Description |
|--------|---|------------------|
| 0      | 0 | Normal Mode      |
| 0      | 1 | Automatic Echo   |
| 1      | 0 | Local Loopback   |
| 1      | 1 | Remote Loopback  |



## 26.5.3 Debug Unit Interrupt Enable Register

Name: DBGU\_IER

Access Type: Write-only

|        |        |      |        |        |    |         |       |
|--------|--------|------|--------|--------|----|---------|-------|
| 31     | 30     | 29   | 28     | 27     | 26 | 25      | 24    |
| COMMRX | COMMTX | –    | –      | –      | –  | –       | –     |
| 23     | 22     | 21   | 20     | 19     | 18 | 17      | 16    |
| –      | –      | –    | –      | –      | –  | –       | –     |
| 15     | 14     | 13   | 12     | 11     | 10 | 9       | 8     |
| –      | –      | –    | RXBUFF | TXBUFE | –  | TXEMPTY | –     |
| 7      | 6      | 5    | 4      | 3      | 2  | 1       | 0     |
| PARE   | FRAME  | OVRE | ENDTX  | ENDRX  | –  | TXRDY   | RXRDY |

- **RXRDY:** Enable RXRDY Interrupt
- **TXRDY:** Enable TXRDY Interrupt
- **ENDRX:** Enable End of Receive Transfer Interrupt
- **ENDTX:** Enable End of Transmit Interrupt
- **OVRE:** Enable Overrun Error Interrupt
- **FRAME:** Enable Framing Error Interrupt
- **PARE:** Enable Parity Error Interrupt
- **TXEMPTY:** Enable TXEMPTY Interrupt
- **TXBUFE:** Enable Buffer Empty Interrupt
- **RXBUFF:** Enable Buffer Full Interrupt
- **COMMTX:** Enable COMMTX (from ARM) Interrupt
- **COMMRX:** Enable COMMRX (from ARM) Interrupt

0 = No effect.

1 = Enables the corresponding interrupt.

## 26.5.4 Debug Unit Interrupt Disable Register

Name: DBGU\_IDR

Access Type: Write-only

|        |        |      |        |        |    |         |       |
|--------|--------|------|--------|--------|----|---------|-------|
| 31     | 30     | 29   | 28     | 27     | 26 | 25      | 24    |
| COMMRX | COMMTX | –    | –      | –      | –  | –       | –     |
| 23     | 22     | 21   | 20     | 19     | 18 | 17      | 16    |
| –      | –      | –    | –      | –      | –  | –       | –     |
| 15     | 14     | 13   | 12     | 11     | 10 | 9       | 8     |
| –      | –      | –    | RXBUFF | TXBUFE | –  | TXEMPTY | –     |
| 7      | 6      | 5    | 4      | 3      | 2  | 1       | 0     |
| PARE   | FRAME  | OVRE | ENDTX  | ENDRX  | –  | TXRDY   | RXRDY |

- **RXRDY: Disable RXRDY Interrupt**
- **TXRDY: Disable TXRDY Interrupt**
- **ENDRX: Disable End of Receive Transfer Interrupt**
- **ENDTX: Disable End of Transmit Interrupt**
- **OVRE: Disable Overrun Error Interrupt**
- **FRAME: Disable Framing Error Interrupt**
- **PARE: Disable Parity Error Interrupt**
- **TXEMPTY: Disable TXEMPTY Interrupt**
- **TXBUFE: Disable Buffer Empty Interrupt**
- **RXBUFF: Disable Buffer Full Interrupt**
- **COMMTX: Disable COMMTX (from ARM) Interrupt**
- **COMMRX: Disable COMMRX (from ARM) Interrupt**

0 = No effect.

1 = Disables the corresponding interrupt.

## 26.5.5 Debug Unit Interrupt Mask Register

**Name:** DBGU\_IMR

**Access Type:** Read-only

|        |        |      |        |        |    |         |       |
|--------|--------|------|--------|--------|----|---------|-------|
| 31     | 30     | 29   | 28     | 27     | 26 | 25      | 24    |
| COMMRX | COMMTX | –    | –      | –      | –  | –       | –     |
| 23     | 22     | 21   | 20     | 19     | 18 | 17      | 16    |
| –      | –      | –    | –      | –      | –  | –       | –     |
| 15     | 14     | 13   | 12     | 11     | 10 | 9       | 8     |
| –      | –      | –    | RXBUFF | TXBUFE | –  | TXEMPTY | –     |
| 7      | 6      | 5    | 4      | 3      | 2  | 1       | 0     |
| PARE   | FRAME  | OVRE | ENDTX  | ENDRX  | –  | TXRDY   | RXRDY |

- **RXRDY: Mask RXRDY Interrupt**
- **TXRDY: Disable TXRDY Interrupt**
- **ENDRX: Mask End of Receive Transfer Interrupt**
- **ENDTX: Mask End of Transmit Interrupt**
- **OVRE: Mask Overrun Error Interrupt**
- **FRAME: Mask Framing Error Interrupt**
- **PARE: Mask Parity Error Interrupt**
- **TXEMPTY: Mask TXEMPTY Interrupt**
- **TXBUFE: Mask TXBUFE Interrupt**
- **RXBUFF: Mask RXBUFF Interrupt**
- **COMMTX: Mask COMMTX Interrupt**
- **COMMRX: Mask COMMRX Interrupt**

0 = The corresponding interrupt is disabled.

1 = The corresponding interrupt is enabled.

## 26.5.6 Debug Unit Status Register

**Name:** DBGU\_SR

**Access Type:** Read-only

|        |        |      |        |        |    |         |       |
|--------|--------|------|--------|--------|----|---------|-------|
| 31     | 30     | 29   | 28     | 27     | 26 | 25      | 24    |
| COMMRX | COMMTX | –    | –      | –      | –  | –       | –     |
| 23     | 22     | 21   | 20     | 19     | 18 | 17      | 16    |
| –      | –      | –    | –      | –      | –  | –       | –     |
| 15     | 14     | 13   | 12     | 11     | 10 | 9       | 8     |
| –      | –      | –    | RXBUFF | TXBUFE | –  | TXEMPTY | –     |
| 7      | 6      | 5    | 4      | 3      | 2  | 1       | 0     |
| PARE   | FRAME  | OVRE | ENDTX  | ENDRX  | –  | TXRDY   | RXRDY |

- **RXRDY: Receiver Ready**

0 = No character has been received since the last read of the DBGU\_RHR or the receiver is disabled.

1 = At least one complete character has been received, transferred to DBGU\_RHR and not yet read.

- **TXRDY: Transmitter Ready**

0 = A character has been written to DBGU\_THR and not yet transferred to the Shift Register, or the transmitter is disabled.

1 = There is no character written to DBGU\_THR not yet transferred to the Shift Register.

- **ENDRX: End of Receiver Transfer**

0 = The End of Transfer signal from the receiver Peripheral Data Controller channel is inactive.

1 = The End of Transfer signal from the receiver Peripheral Data Controller channel is active.

- **ENDTX: End of Transmitter Transfer**

0 = The End of Transfer signal from the transmitter Peripheral Data Controller channel is inactive.

1 = The End of Transfer signal from the transmitter Peripheral Data Controller channel is active.

- **OVRE: Overrun Error**

0 = No overrun error has occurred since the last RSTSTA.

1 = At least one overrun error has occurred since the last RSTSTA.

- **FRAME: Framing Error**

0 = No framing error has occurred since the last RSTSTA.

1 = At least one framing error has occurred since the last RSTSTA.

- **PARE: Parity Error**

0 = No parity error has occurred since the last RSTSTA.

1 = At least one parity error has occurred since the last RSTSTA.

- **TXEMPTY: Transmitter Empty**

0 = There are characters in DBGU\_THR, or characters being processed by the transmitter, or the transmitter is disabled.

1 = There are no characters in DBGU\_THR and there are no characters being processed by the transmitter.

- **TXBUFE: Transmission Buffer Empty**

0 = The buffer empty signal from the transmitter PDC channel is inactive.

1 = The buffer empty signal from the transmitter PDC channel is active.

- **RXBUFF: Receive Buffer Full**

0 = The buffer full signal from the receiver PDC channel is inactive.

1 = The buffer full signal from the receiver PDC channel is active.

- **COMMTX: Debug Communication Channel Write Status**

0 = COMMTX from the ARM processor is inactive.

1 = COMMTX from the ARM processor is active.

- **COMMRX: Debug Communication Channel Read Status**

0 = COMMRX from the ARM processor is inactive.

1 = COMMRX from the ARM processor is active.



### 26.5.7 Debug Unit Receiver Holding Register

**Name:** DBGU\_RHR

**Access Type:** Read-only

|       |    |    |    |    |    |    |    |
|-------|----|----|----|----|----|----|----|
| 31    | 30 | 29 | 28 | 27 | 26 | 25 | 24 |
| -     | -  | -  | -  | -  | -  | -  | -  |
| 23    | 22 | 21 | 20 | 19 | 18 | 17 | 16 |
| -     | -  | -  | -  | -  | -  | -  | -  |
| 15    | 14 | 13 | 12 | 11 | 10 | 9  | 8  |
| -     | -  | -  | -  | -  | -  | -  | -  |
| 7     | 6  | 5  | 4  | 3  | 2  | 1  | 0  |
| RXCHR |    |    |    |    |    |    |    |

- **RXCHR: Received Character**

Last received character if RXRDY is set.



## 26.5.8 Debug Unit Transmit Holding Register

**Name:** DBGU\_THR

**Access Type:** Write-only

|       |    |    |    |    |    |    |    |
|-------|----|----|----|----|----|----|----|
| 31    | 30 | 29 | 28 | 27 | 26 | 25 | 24 |
| –     | –  | –  | –  | –  | –  | –  | –  |
| 23    | 22 | 21 | 20 | 19 | 18 | 17 | 16 |
| –     | –  | –  | –  | –  | –  | –  | –  |
| 15    | 14 | 13 | 12 | 11 | 10 | 9  | 8  |
| –     | –  | –  | –  | –  | –  | –  | –  |
| 7     | 6  | 5  | 4  | 3  | 2  | 1  | 0  |
| TXCHR |    |    |    |    |    |    |    |

- **TXCHR: Character to be Transmitted**

Next character to be transmitted after the current character if TXRDY is not set.



### 26.5.9 Debug Unit Baud Rate Generator Register

Name: DBGU\_BRGR

Access Type: Read-write

|    |    |    |    |    |    |    |    |
|----|----|----|----|----|----|----|----|
| 31 | 30 | 29 | 28 | 27 | 26 | 25 | 24 |
| –  | –  | –  | –  | –  | –  | –  | –  |
| 23 | 22 | 21 | 20 | 19 | 18 | 17 | 16 |
| –  | –  | –  | –  | –  | –  | –  | –  |
| 15 | 14 | 13 | 12 | 11 | 10 | 9  | 8  |
| CD |    |    |    |    |    |    |    |
| 7  | 6  | 5  | 4  | 3  | 2  | 1  | 0  |
| CD |    |    |    |    |    |    |    |

• **CD: Clock Divisor**

| CD         | Baud Rate Clock        |
|------------|------------------------|
| 0          | Disabled               |
| 1          | MCK                    |
| 2 to 65535 | $MCK / (CD \times 16)$ |



## 26.5.10 Debug Unit Chip ID Register

Name: DBGU\_CIDR

Access Type: Read-only

|         |        |    |         |         |    |    |    |
|---------|--------|----|---------|---------|----|----|----|
| 31      | 30     | 29 | 28      | 27      | 26 | 25 | 24 |
| EXT     | NVPTYP |    |         | ARCH    |    |    |    |
| 23      | 22     | 21 | 20      | 19      | 18 | 17 | 16 |
| ARCH    |        |    |         | SRAMSIZ |    |    |    |
| 15      | 14     | 13 | 12      | 11      | 10 | 9  | 8  |
| NVPSIZ2 |        |    |         | NVPSIZ  |    |    |    |
| 7       | 6      | 5  | 4       | 3       | 2  | 1  | 0  |
| EPROC   |        |    | VERSION |         |    |    |    |

- **VERSION:** Version of the Device

- **EPROC:** Embedded Processor

| EPROC |   |   | Processor  |
|-------|---|---|------------|
| 0     | 0 | 1 | ARM946ES™  |
| 0     | 1 | 0 | ARM7TDMI®  |
| 1     | 0 | 0 | ARM920T™   |
| 1     | 0 | 1 | ARM926EJS™ |

- **NVPSIZ:** Nonvolatile Program Memory Size

| NVPSIZ |   |   |   | Size        |
|--------|---|---|---|-------------|
| 0      | 0 | 0 | 0 | None        |
| 0      | 0 | 0 | 1 | 8K bytes    |
| 0      | 0 | 1 | 0 | 16K bytes   |
| 0      | 0 | 1 | 1 | 32K bytes   |
| 0      | 1 | 0 | 0 | Reserved    |
| 0      | 1 | 0 | 1 | 64K bytes   |
| 0      | 1 | 1 | 0 | Reserved    |
| 0      | 1 | 1 | 1 | 128K bytes  |
| 1      | 0 | 0 | 0 | Reserved    |
| 1      | 0 | 0 | 1 | 256K bytes  |
| 1      | 0 | 1 | 0 | 512K bytes  |
| 1      | 0 | 1 | 1 | Reserved    |
| 1      | 1 | 0 | 0 | 1024K bytes |
| 1      | 1 | 0 | 1 | Reserved    |
| 1      | 1 | 1 | 0 | 2048K bytes |
| 1      | 1 | 1 | 1 | Reserved    |

• **NVPSIZ2 Second Nonvolatile Program Memory Size**

| NVPSIZ2 |   |   |   | Size        |
|---------|---|---|---|-------------|
| 0       | 0 | 0 | 0 | None        |
| 0       | 0 | 0 | 1 | 8K bytes    |
| 0       | 0 | 1 | 0 | 16K bytes   |
| 0       | 0 | 1 | 1 | 32K bytes   |
| 0       | 1 | 0 | 0 | Reserved    |
| 0       | 1 | 0 | 1 | 64K bytes   |
| 0       | 1 | 1 | 0 | Reserved    |
| 0       | 1 | 1 | 1 | 128K bytes  |
| 1       | 0 | 0 | 0 | Reserved    |
| 1       | 0 | 0 | 1 | 256K bytes  |
| 1       | 0 | 1 | 0 | 512K bytes  |
| 1       | 0 | 1 | 1 | Reserved    |
| 1       | 1 | 0 | 0 | 1024K bytes |
| 1       | 1 | 0 | 1 | Reserved    |
| 1       | 1 | 1 | 0 | 2048K bytes |
| 1       | 1 | 1 | 1 | Reserved    |

• **SRAMSIZ: Internal SRAM Size**

| SRAMSIZ |   |   |   | Size       |
|---------|---|---|---|------------|
| 0       | 0 | 0 | 0 | Reserved   |
| 0       | 0 | 0 | 1 | 1K bytes   |
| 0       | 0 | 1 | 0 | 2K bytes   |
| 0       | 0 | 1 | 1 | 6K bytes   |
| 0       | 1 | 0 | 0 | 112K bytes |
| 0       | 1 | 0 | 1 | 4K bytes   |
| 0       | 1 | 1 | 0 | 80K bytes  |
| 0       | 1 | 1 | 1 | 160K bytes |
| 1       | 0 | 0 | 0 | 8K bytes   |
| 1       | 0 | 0 | 1 | 16K bytes  |
| 1       | 0 | 1 | 0 | 32K bytes  |
| 1       | 0 | 1 | 1 | 64K bytes  |
| 1       | 1 | 0 | 0 | 128K bytes |
| 1       | 1 | 0 | 1 | 256K bytes |
| 1       | 1 | 1 | 0 | 96K bytes  |
| 1       | 1 | 1 | 1 | 512K bytes |

- **ARCH: Architecture Identifier**

| ARCH |           | Architecture        |
|------|-----------|---------------------|
| Hex  | Bin       |                     |
| 0x19 | 0001 1001 | AT91SAM9xx Series   |
| 0x29 | 0010 1001 | AT91SAM9XExx Series |
| 0x34 | 0011 0100 | AT91x34 Series      |
| 0x37 | 0011 0111 | CAP7 Series         |
| 0x39 | 0011 1001 | CAP9 Series         |
| 0x3B | 0011 1011 | CAP11 Series        |
| 0x40 | 0100 0000 | AT91x40 Series      |
| 0x42 | 0100 0010 | AT91x42 Series      |
| 0x55 | 0101 0101 | AT91x55 Series      |
| 0x60 | 0110 0000 | AT91SAM7Axx Series  |
| 0x61 | 0110 0001 | AT91SAM7AQxx Series |
| 0x63 | 0110 0011 | AT91x63 Series      |
| 0x70 | 0111 0000 | AT91SAM7Sxx Series  |
| 0x71 | 0111 0001 | AT91SAM7XCxx Series |
| 0x72 | 0111 0010 | AT91SAM7SExx Series |
| 0x73 | 0111 0011 | AT91SAM7Lxx Series  |
| 0x75 | 0111 0101 | AT91SAM7Xxx Series  |
| 0x92 | 1001 0010 | AT91x92 Series      |
| 0xF0 | 1111 0000 | AT75Cxx Series      |

- **NVPTYP: Nonvolatile Program Memory Type**

| NVPTYP |   |   | Memory   |
|--------|---|---|--|
| 0      | 0 | 0 | ROM  |
| 0      | 0 | 1 | ROMless or on-chip Flash   |
| 1      | 0 | 0 | SRAM emulating ROM   |
| 0      | 1 | 0 | Embedded Flash Memory  |
| 0      | 1 | 1 | ROM and Embedded Flash Memory<br>NVPSIZ is ROM size<br>NVPSIZ2 is Flash size |

- **EXT: Extension Flag**

0 = Chip ID has a single register definition without extension

1 = An extended Chip ID exists.

### 26.5.11 Debug Unit Chip ID Extension Register

Name: DBGU\_EXID

Access Type: Read-only

|      |    |    |    |    |    |    |    |
|------|----|----|----|----|----|----|----|
| 31   | 30 | 29 | 28 | 27 | 26 | 25 | 24 |
| EXID |    |    |    |    |    |    |    |
| 23   | 22 | 21 | 20 | 19 | 18 | 17 | 16 |
| EXID |    |    |    |    |    |    |    |
| 15   | 14 | 13 | 12 | 11 | 10 | 9  | 8  |
| EXID |    |    |    |    |    |    |    |
| 7    | 6  | 5  | 4  | 3  | 2  | 1  | 0  |
| EXID |    |    |    |    |    |    |    |

- **EXID: Chip ID Extension**

Reads 0 if the bit EXT in DBGU\_CIDR is 0.

### 26.5.12 Debug Unit Force NTRST Register

Name: DBGU\_FNR

Access Type: Read-write

|    |    |    |    |    |    |    |        |
|----|----|----|----|----|----|----|--------|
| 31 | 30 | 29 | 28 | 27 | 26 | 25 | 24     |
| –  | –  | –  | –  | –  | –  | –  | –      |
| 23 | 22 | 21 | 20 | 19 | 18 | 17 | 16     |
| –  | –  | –  | –  | –  | –  | –  | –      |
| 15 | 14 | 13 | 12 | 11 | 10 | 9  | 8      |
| –  | –  | –  | –  | –  | –  | –  | –      |
| 7  | 6  | 5  | 4  | 3  | 2  | 1  | 0      |
| –  | –  | –  | –  | –  | –  | –  | FNTRST |

- **FNTRST: Force NTRST**

0 = NTRST of the ARM processor's TAP controller is driven by the power\_on\_reset signal.

1 = NTRST of the ARM processor's TAP controller is held low.

## 27. Parallel Input/Output Controller (PIO)

### 27.1 Overview

The Parallel Input/Output Controller (PIO) manages up to 32 fully programmable input/output lines. Each I/O line may be dedicated as a general-purpose I/O or be assigned to a function of an embedded peripheral. This assures effective optimization of the pins of a product.

Each I/O line is associated with a bit number in all of the 32-bit registers of the 32-bit wide User Interface.

Each I/O line of the PIO Controller features:

- An input change interrupt enabling level change detection on any I/O line.
- A glitch filter providing rejection of pulses lower than one-half of clock cycle.
- Multi-drive capability similar to an open drain I/O line.
- Control of the the pull-up of the I/O line.
- Input visibility and output control.

The PIO Controller also features a synchronous output providing up to 32 bits of data output in a single write operation.

## 27.2 Block Diagram

Figure 27-1. Block Diagram

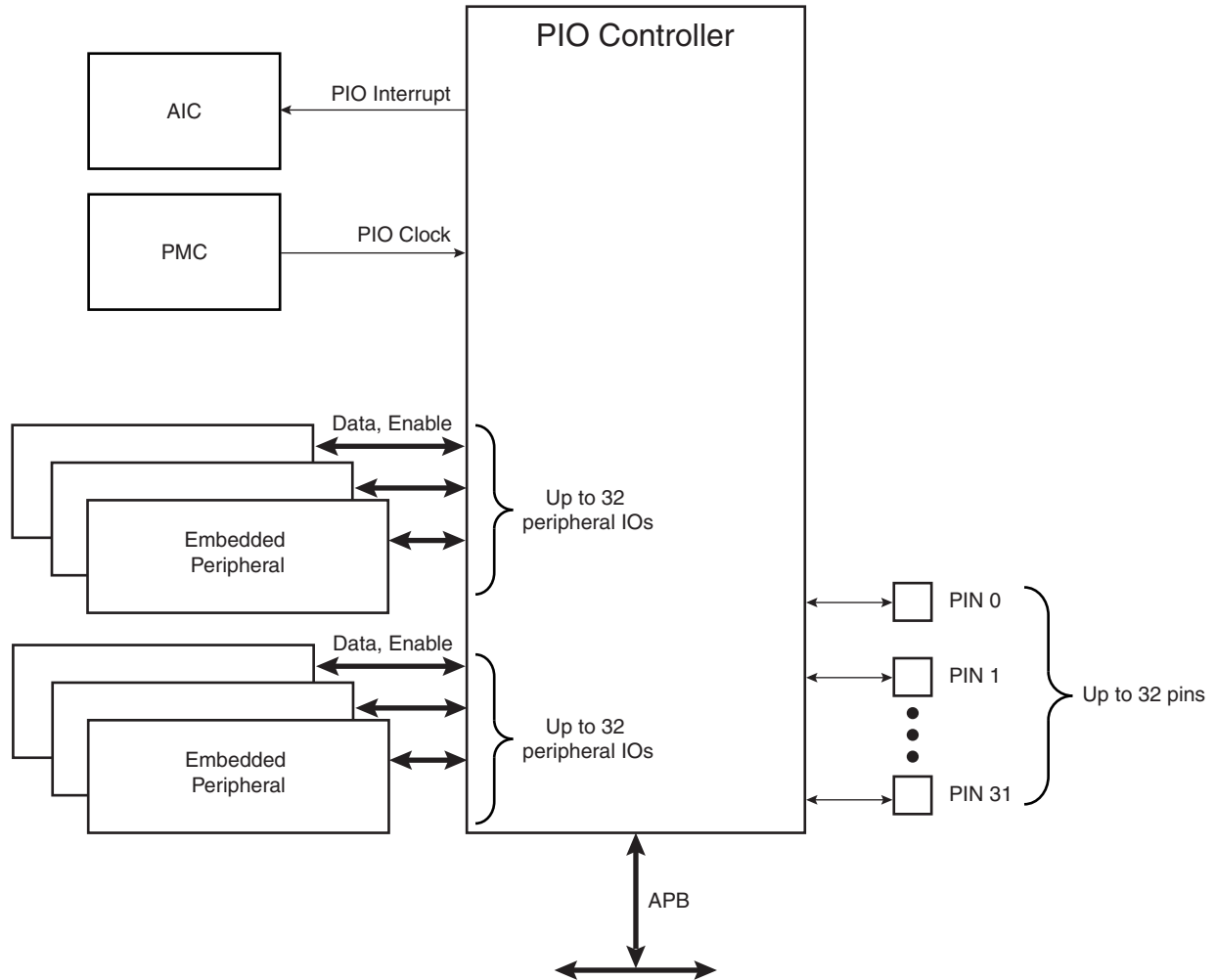
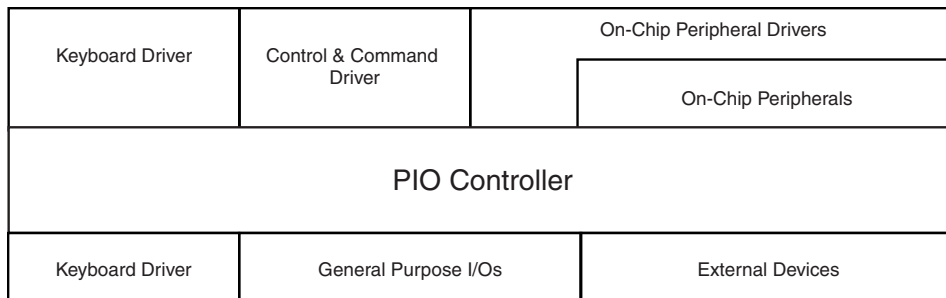


Figure 27-2. Application Block Diagram



## 27.3 Product Dependencies

### 27.3.1 Pin Multiplexing

Each pin is configurable, according to product definition as either a general-purpose I/O line only, or as an I/O line multiplexed with one or two peripheral I/Os. As the multiplexing is hardware-defined and thus product-dependent, the hardware designer and programmer must carefully determine the configuration of the PIO controllers required by their application. When an I/O line is general-purpose only, i.e. not multiplexed with any peripheral I/O, programming of the PIO Controller regarding the assignment to a peripheral has no effect and only the PIO Controller can control how the pin is driven by the product.

### 27.3.2 External Interrupt Lines

The interrupt signals FIQ and IRQ0 to IRQn are most generally multiplexed through the PIO Controllers. However, it is not necessary to assign the I/O line to the interrupt function as the PIO Controller has no effect on inputs and the interrupt lines (FIQ or IRQs) are used only as inputs.

### 27.3.3 Power Management

The Power Management Controller controls the PIO Controller clock in order to save power. Writing any of the registers of the user interface does not require the PIO Controller clock to be enabled. This means that the configuration of the I/O lines does not require the PIO Controller clock to be enabled.

However, when the clock is disabled, not all of the features of the PIO Controller are available. Note that the Input Change Interrupt and the read of the pin level require the clock to be validated.

After a hardware reset, the PIO clock is disabled by default.

The user must configure the Power Management Controller before any access to the input line information.

### 27.3.4 Interrupt Generation

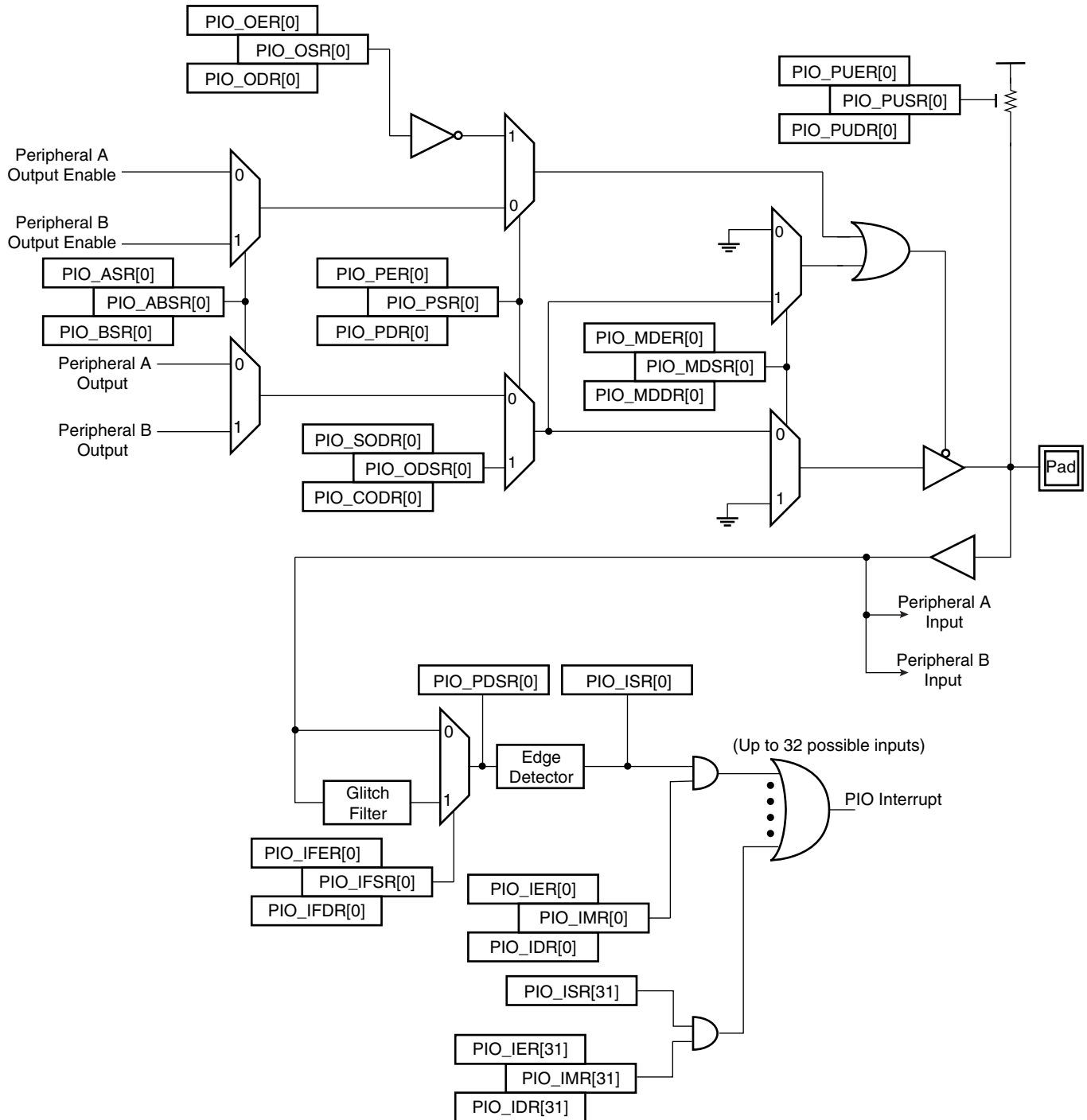
For interrupt handling, the PIO Controllers are considered as user peripherals. This means that the PIO Controller interrupt lines are connected among the interrupt sources 2 to 31. Refer to the PIO Controller peripheral identifier in the product description to identify the interrupt sources dedicated to the PIO Controllers.

The PIO Controller interrupt can be generated only if the PIO Controller clock is enabled.

## 27.4 Functional Description

The PIO Controller features up to 32 fully-programmable I/O lines. Most of the control logic associated to each I/O is represented in [Figure 27-3](#). In this description each signal shown represents but one of up to 32 possible indexes.

**Figure 27-3.** I/O Line Control Logic





## 27.4.1 Pull-up Resistor Control

Each I/O line is designed with an embedded pull-up resistor. The pull-up resistor can be enabled or disabled by writing respectively PIO\_PUER (Pull-up Enable Register) and PIO\_PUDR (Pull-up Disable Register). Writing in these registers results in setting or clearing the corresponding bit in PIO\_PUSR (Pull-up Status Register). Reading a 1 in PIO\_PUSR means the pull-up is disabled and reading a 0 means the pull-up is enabled.

Control of the pull-up resistor is possible regardless of the configuration of the I/O line.

After reset, all of the pull-ups are enabled, i.e. PIO\_PUSR resets at the value 0x0.

## 27.4.2 I/O Line or Peripheral Function Selection

When a pin is multiplexed with one or two peripheral functions, the selection is controlled with the registers PIO\_PER (PIO Enable Register) and PIO\_PDR (PIO Disable Register). The register PIO\_PSR (PIO Status Register) is the result of the set and clear registers and indicates whether the pin is controlled by the corresponding peripheral or by the PIO Controller. A value of 0 indicates that the pin is controlled by the corresponding on-chip peripheral selected in the PIO\_ABSR (AB Select Status Register). A value of 1 indicates the pin is controlled by the PIO controller.

If a pin is used as a general purpose I/O line (not multiplexed with an on-chip peripheral), PIO\_PER and PIO\_PDR have no effect and PIO\_PSR returns 1 for the corresponding bit.

After reset, most generally, the I/O lines are controlled by the PIO controller, i.e. PIO\_PSR resets at 1. However, in some events, it is important that PIO lines are controlled by the peripheral (as in the case of memory chip select lines that must be driven inactive after reset or for address lines that must be driven low for booting out of an external memory). Thus, the reset value of PIO\_PSR is defined at the product level, depending on the multiplexing of the device.

## 27.4.3 Peripheral A or B Selection

The PIO Controller provides multiplexing of up to two peripheral functions on a single pin. The selection is performed by writing PIO\_ASR (A Select Register) and PIO\_BSR (Select B Register). PIO\_ABSR (AB Select Status Register) indicates which peripheral line is currently selected. For each pin, the corresponding bit at level 0 means peripheral A is selected whereas the corresponding bit at level 1 indicates that peripheral B is selected.

Note that multiplexing of peripheral lines A and B only affects the output line. The peripheral input lines are always connected to the pin input.

After reset, PIO\_ABSR is 0, thus indicating that all the PIO lines are configured on peripheral A. However, peripheral A generally does not drive the pin as the PIO Controller resets in I/O line mode.

Writing in PIO\_ASR and PIO\_BSR manages PIO\_ABSR regardless of the configuration of the pin. However, assignment of a pin to a peripheral function requires a write in the corresponding peripheral selection register (PIO\_ASR or PIO\_BSR) in addition to a write in PIO\_PDR.

## 27.4.4 Output Control

When the I/O line is assigned to a peripheral function, i.e. the corresponding bit in PIO\_PSR is at 0, the drive of the I/O line is controlled by the peripheral. Peripheral A or B, depending on the value in PIO\_ABSR, determines whether the pin is driven or not.

When the I/O line is controlled by the PIO controller, the pin can be configured to be driven. This is done by writing PIO\_OER (Output Enable Register) and PIO\_ODR (Output Disable Register).

The results of these write operations are detected in PIO\_OSR (Output Status Register). When a bit in this register is at 0, the corresponding I/O line is used as an input only. When the bit is at 1, the corresponding I/O line is driven by the PIO controller.

The level driven on an I/O line can be determined by writing in PIO\_SODR (Set Output Data Register) and PIO\_CODR (Clear Output Data Register). These write operations respectively set and clear PIO\_ODSR (Output Data Status Register), which represents the data driven on the I/O lines. Writing in PIO\_OER and PIO\_ODR manages PIO\_OSR whether the pin is configured to be controlled by the PIO controller or assigned to a peripheral function. This enables configuration of the I/O line prior to setting it to be managed by the PIO Controller.

Similarly, writing in PIO\_SODR and PIO\_CODR effects PIO\_ODSR. This is important as it defines the first level driven on the I/O line.

#### 27.4.5 Synchronous Data Output

Controlling all parallel busses using several PIOs requires two successive write operations in the PIO\_SODR and PIO\_CODR registers. This may lead to unexpected transient values. The PIO controller offers a direct control of PIO outputs by single write access to PIO\_ODSR (Output Data Status Register). Only bits unmasked by PIO\_OWSR (Output Write Status Register) are written. The mask bits in the PIO\_OWSR are set by writing to PIO\_OWER (Output Write Enable Register) and cleared by writing to PIO\_OWDR (Output Write Disable Register).

After reset, the synchronous data output is disabled on all the I/O lines as PIO\_OWSR resets at 0x0.

#### 27.4.6 Multi Drive Control (Open Drain)

Each I/O can be independently programmed in Open Drain by using the Multi Drive feature. This feature permits several drivers to be connected on the I/O line which is driven low only by each device. An external pull-up resistor (or enabling of the internal one) is generally required to guarantee a high level on the line.

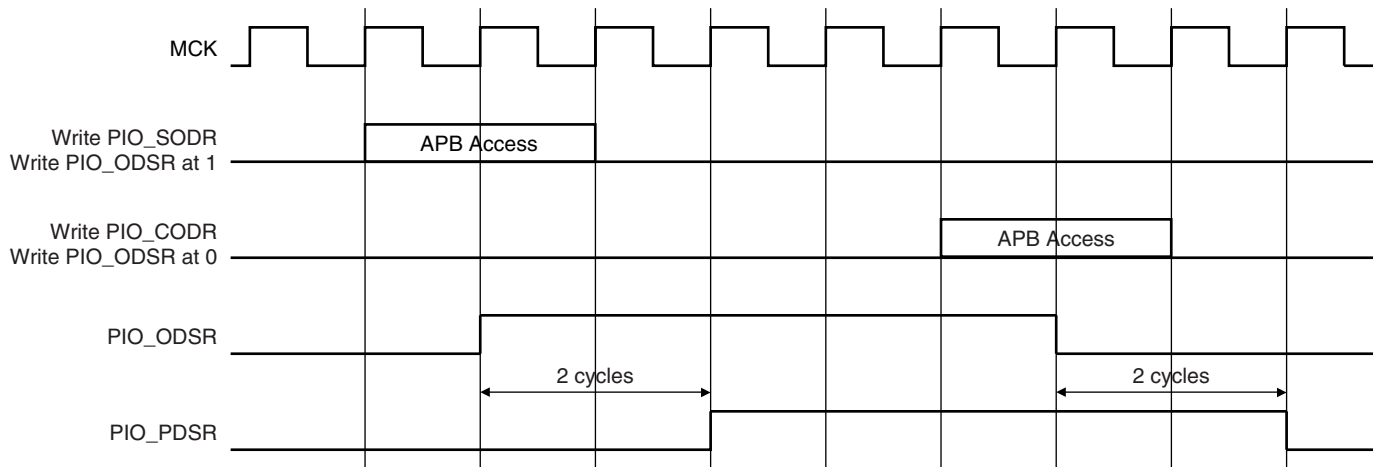
The Multi Drive feature is controlled by PIO\_MDER (Multi-driver Enable Register) and PIO\_MDDR (Multi-driver Disable Register). The Multi Drive can be selected whether the I/O line is controlled by the PIO controller or assigned to a peripheral function. PIO\_MDSR (Multi-driver Status Register) indicates the pins that are configured to support external drivers.

After reset, the Multi Drive feature is disabled on all pins, i.e. PIO\_MDSR resets at value 0x0.

#### 27.4.7 Output Line Timings

Figure 27-4 shows how the outputs are driven either by writing PIO\_SODR or PIO\_CODR, or by directly writing PIO\_ODSR. This last case is valid only if the corresponding bit in PIO\_OWSR is set. Figure 27-4 also shows when the feedback in PIO\_PDSR is available.

**Figure 27-4. Output Line Timings**



## 27.4.8 Inputs

The level on each I/O line can be read through PIO\_PDSR (Pin Data Status Register). This register indicates the level of the I/O lines regardless of their configuration, whether uniquely as an input or driven by the PIO controller or driven by a peripheral.

Reading the I/O line levels requires the clock of the PIO controller to be enabled, otherwise PIO\_PDSR reads the levels present on the I/O line at the time the clock was disabled.

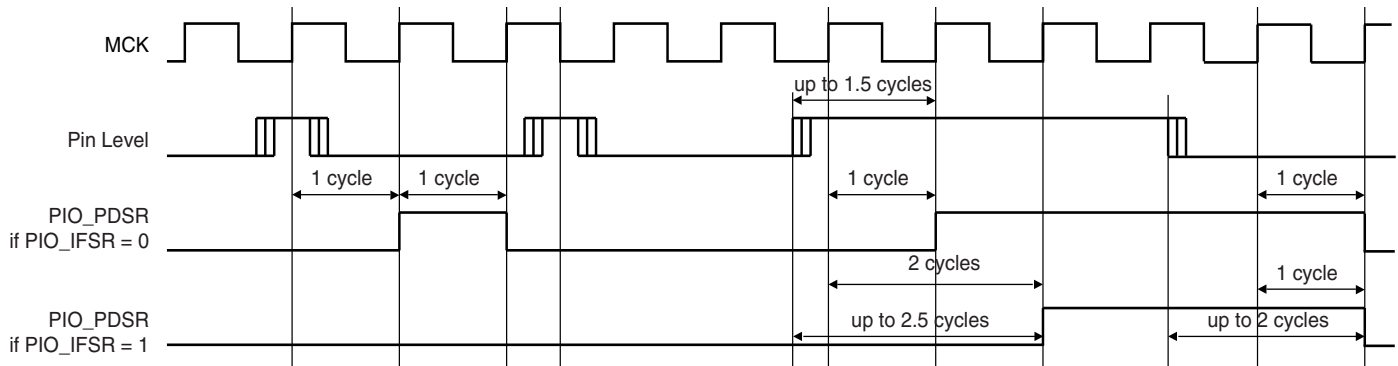
## 27.4.9 Input Glitch Filtering

Optional input glitch filters are independently programmable on each I/O line. When the glitch filter is enabled, a glitch with a duration of less than 1/2 Master Clock (MCK) cycle is automatically rejected, while a pulse with a duration of 1 Master Clock cycle or more is accepted. For pulse durations between 1/2 Master Clock cycle and 1 Master Clock cycle the pulse may or may not be taken into account, depending on the precise timing of its occurrence. Thus for a pulse to be visible it must exceed 1 Master Clock cycle, whereas for a glitch to be reliably filtered out, its duration must not exceed 1/2 Master Clock cycle. The filter introduces one Master Clock cycle latency if the pin level change occurs before a rising edge. However, this latency does not appear if the pin level change occurs before a falling edge. This is illustrated in [Figure 27-5](#).

The glitch filters are controlled by the register set; PIO\_IFER (Input Filter Enable Register), PIO\_IFDR (Input Filter Disable Register) and PIO\_IFSR (Input Filter Status Register). Writing PIO\_IFER and PIO\_IFDR respectively sets and clears bits in PIO\_IFSR. This last register enables the glitch filter on the I/O lines.

When the glitch filter is enabled, it does not modify the behavior of the inputs on the peripherals. It acts only on the value read in PIO\_PDSR and on the input change interrupt detection. The glitch filters require that the PIO Controller clock is enabled.

**Figure 27-5.** Input Glitch Filter Timing



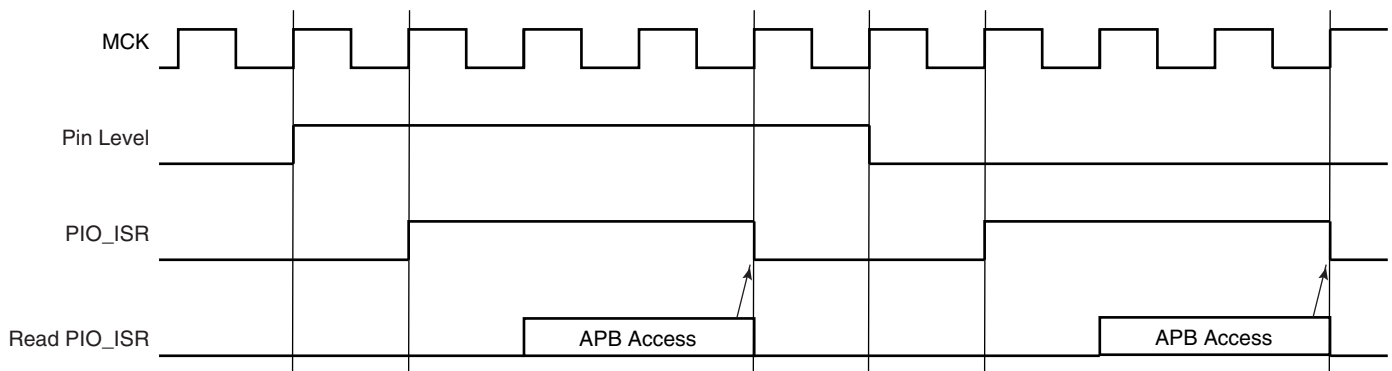
### 27.4.10 Input Change Interrupt

The PIO Controller can be programmed to generate an interrupt when it detects an input change on an I/O line. The Input Change Interrupt is controlled by writing PIO\_IER (Interrupt Enable Register) and PIO\_IDR (Interrupt Disable Register), which respectively enable and disable the input change interrupt by setting and clearing the corresponding bit in PIO\_IMR (Interrupt Mask Register). As Input change detection is possible only by comparing two successive samplings of the input of the I/O line, the PIO Controller clock must be enabled. The Input Change Interrupt is available, regardless of the configuration of the I/O line, i.e. configured as an input only, controlled by the PIO Controller or assigned to a peripheral function.

When an input change is detected on an I/O line, the corresponding bit in PIO\_ISR (Interrupt Status Register) is set. If the corresponding bit in PIO\_IMR is set, the PIO Controller interrupt line is asserted. The interrupt signals of the thirty-two channels are ORed-wired together to generate a single interrupt signal to the Advanced Interrupt Controller.

When the software reads PIO\_ISR, all the interrupts are automatically cleared. This signifies that all the interrupts that are pending when PIO\_ISR is read must be handled.

**Figure 27-6.** Input Change Interrupt Timings



## 27.5 I/O Lines Programming Example

The programming example as shown in [Table 27-1](#) below is used to define the following configuration.

- 4-bit output port on I/O lines 0 to 3, (should be written in a single write operation), open-drain, with pull-up resistor

- Four output signals on I/O lines 4 to 7 (to drive LEDs for example), driven high and low, no pull-up resistor
- Four input signals on I/O lines 8 to 11 (to read push-button states for example), with pull-up resistors, glitch filters and input change interrupts
- Four input signals on I/O line 12 to 15 to read an external device status (polled, thus no input change interrupt), no pull-up resistor, no glitch filter
- I/O lines 16 to 19 assigned to peripheral A functions with pull-up resistor
- I/O lines 20 to 23 assigned to peripheral B functions, no pull-up resistor
- I/O line 24 to 27 assigned to peripheral A with Input Change Interrupt and pull-up resistor

**Table 27-1.** Programming Example

| Register | Value to be Written |
|----------|---------------------|
| PIO_PER  | 0x0000 FFFF         |
| PIO_PDR  | 0x0FFF 0000         |
| PIO_OER  | 0x0000 00FF         |
| PIO_ODR  | 0x0FFF FF00         |
| PIO_IFER | 0x0000 0F00         |
| PIO_IFDR | 0x0FFF F0FF         |
| PIO_SODR | 0x0000 0000         |
| PIO_CODR | 0x0FFF FFFF         |
| PIO_IER  | 0x0F00 0F00         |
| PIO_IDR  | 0x00FF F0FF         |
| PIO_MDER | 0x0000 000F         |
| PIO_MDDR | 0x0FFF FFF0         |
| PIO_PUDR | 0x00F0 00F0         |
| PIO_PUER | 0x0F0F FF0F         |
| PIO_ASR  | 0x0F0F 0000         |
| PIO_BSR  | 0x00F0 0000         |
| PIO_OWER | 0x0000 000F         |
| PIO_OWDR | 0x0FFF FFF0         |

## 27.6 Parallel Input/Output Controller (PIO) User Interface

Each I/O line controlled by the PIO Controller is associated with a bit in each of the PIO Controller User Interface registers. Each register is 32 bits wide. If a parallel I/O line is not defined, writing to the corresponding bits has no effect. Undefined bits read zero. If the I/O line is not multiplexed with any peripheral, the I/O line is controlled by the PIO Controller and PIO\_PSR returns 1 systematically.

**Table 27-2.** Register Mapping

| Offset | Register                                 | Name     | Access                                       | Reset       |
|--------|--|----------|--|-------------|
| 0x0000 | PIO Enable Register                      | PIO_PER  | Write-only                                   | –           |
| 0x0004 | PIO Disable Register                     | PIO_PDR  | Write-only                                   | –           |
| 0x0008 | PIO Status Register                      | PIO_PSR  | Read-only                                    | (1)         |
| 0x000C | Reserved                                 |          |  |             |
| 0x0010 | Output Enable Register                   | PIO_OER  | Write-only                                   | –           |
| 0x0014 | Output Disable Register                  | PIO_ODR  | Write-only                                   | –           |
| 0x0018 | Output Status Register                   | PIO_OSR  | Read-only                                    | 0x0000 0000 |
| 0x001C | Reserved                                 |          |  |             |
| 0x0020 | Glitch Input Filter Enable Register      | PIO_IFER | Write-only                                   | –           |
| 0x0024 | Glitch Input Filter Disable Register     | PIO_IFDR | Write-only                                   | –           |
| 0x0028 | Glitch Input Filter Status Register      | PIO_IFSR | Read-only                                    | 0x0000 0000 |
| 0x002C | Reserved                                 |          |  |             |
| 0x0030 | Set Output Data Register                 | PIO_SODR | Write-only                                   | –           |
| 0x0034 | Clear Output Data Register               | PIO_CODR | Write-only                                   |             |
| 0x0038 | Output Data Status Register              | PIO_ODSR | Read-only<br>or <sup>(2)</sup><br>Read-write | –           |
| 0x003C | Pin Data Status Register                 | PIO_PDSR | Read-only                                    | (3)         |
| 0x0040 | Interrupt Enable Register                | PIO_IER  | Write-only                                   | –           |
| 0x0044 | Interrupt Disable Register               | PIO_IDR  | Write-only                                   | –           |
| 0x0048 | Interrupt Mask Register                  | PIO_IMR  | Read-only                                    | 0x00000000  |
| 0x004C | Interrupt Status Register <sup>(4)</sup> | PIO_ISR  | Read-only                                    | 0x00000000  |
| 0x0050 | Multi-driver Enable Register             | PIO_MDER | Write-only                                   | –           |
| 0x0054 | Multi-driver Disable Register            | PIO_MDDR | Write-only                                   | –           |
| 0x0058 | Multi-driver Status Register             | PIO_MDSR | Read-only                                    | 0x00000000  |
| 0x005C | Reserved                                 |          |  |             |
| 0x0060 | Pull-up Disable Register                 | PIO_PUDR | Write-only                                   | –           |
| 0x0064 | Pull-up Enable Register                  | PIO_PUER | Write-only                                   | –           |
| 0x0068 | Pad Pull-up Status Register              | PIO_PUSR | Read-only                                    | 0x00000000  |
| 0x006C | Reserved                                 |          |  |             |

**Table 27-2.** Register Mapping (Continued)

| Offset                 | Register                                    | Name     | Access     | Reset      |
|------------------------|---|----------|------------|------------|
| 0x0070                 | Peripheral A Select Register <sup>(5)</sup> | PIO_ASR  | Write-only | –          |
| 0x0074                 | Peripheral B Select Register <sup>(5)</sup> | PIO_BSR  | Write-only | –          |
| 0x0078                 | AB Status Register <sup>(5)</sup>           | PIO_ABSR | Read-only  | 0x00000000 |
| 0x007C<br>to<br>0x009C | Reserved                                    |          |            |            |
| 0x00A0                 | Output Write Enable                         | PIO_OWER | Write-only | –          |
| 0x00A4                 | Output Write Disable                        | PIO_OWDR | Write-only | –          |
| 0x00A8                 | Output Write Status Register                | PIO_OWSR | Read-only  | 0x00000000 |
| 0x00AC                 | Reserved                                    |          |            |            |

- Notes:
1. Reset value of PIO\_PSR depends on the product implementation.
  2. PIO\_ODSR is Read-only or Read/Write depending on PIO\_OWSR I/O lines.
  3. Reset value of PIO\_PDSR depends on the level of the I/O lines. Reading the I/O line levels requires the clock of the PIO Controller to be enabled, otherwise PIO\_PDSR reads the levels present on the I/O line at the time the clock was disabled.
  4. PIO\_ISR is reset at 0x0. However, the first read of the register may read a different value as input changes may have occurred.
  5. Only this set of registers clears the status by writing 1 in the first register and sets the status by writing 1 in the second register.



### 27.6.1 PIO Controller PIO Enable Register

Name: PIO\_PER

Access Type: Write-only

|     |     |     |     |     |     |     |     |
|-----|-----|-----|-----|-----|-----|-----|-----|
| 31  | 30  | 29  | 28  | 27  | 26  | 25  | 24  |
| P31 | P30 | P29 | P28 | P27 | P26 | P25 | P24 |
| 23  | 22  | 21  | 20  | 19  | 18  | 17  | 16  |
| P23 | P22 | P21 | P20 | P19 | P18 | P17 | P16 |
| 15  | 14  | 13  | 12  | 11  | 10  | 9   | 8   |
| P15 | P14 | P13 | P12 | P11 | P10 | P9  | P8  |
| 7   | 6   | 5   | 4   | 3   | 2   | 1   | 0   |
| P7  | P6  | P5  | P4  | P3  | P2  | P1  | P0  |

- **P0-P31: PIO Enable**

0 = No effect.

1 = Enables the PIO to control the corresponding pin (disables peripheral control of the pin).

### 27.6.2 PIO Controller PIO Disable Register

Name: PIO\_PDR

Access Type: Write-only

|     |     |     |     |     |     |     |     |
|-----|-----|-----|-----|-----|-----|-----|-----|
| 31  | 30  | 29  | 28  | 27  | 26  | 25  | 24  |
| P31 | P30 | P29 | P28 | P27 | P26 | P25 | P24 |
| 23  | 22  | 21  | 20  | 19  | 18  | 17  | 16  |
| P23 | P22 | P21 | P20 | P19 | P18 | P17 | P16 |
| 15  | 14  | 13  | 12  | 11  | 10  | 9   | 8   |
| P15 | P14 | P13 | P12 | P11 | P10 | P9  | P8  |
| 7   | 6   | 5   | 4   | 3   | 2   | 1   | 0   |
| P7  | P6  | P5  | P4  | P3  | P2  | P1  | P0  |

- **P0-P31: PIO Disable**

0 = No effect.

1 = Disables the PIO from controlling the corresponding pin (enables peripheral control of the pin).



## 27.6.3 PIO Controller PIO Status Register

**Name:** PIO\_PSR

**Access Type:** Read-only

|     |     |     |     |     |     |     |     |
|-----|-----|-----|-----|-----|-----|-----|-----|
| 31  | 30  | 29  | 28  | 27  | 26  | 25  | 24  |
| P31 | P30 | P29 | P28 | P27 | P26 | P25 | P24 |
| 23  | 22  | 21  | 20  | 19  | 18  | 17  | 16  |
| P23 | P22 | P21 | P20 | P19 | P18 | P17 | P16 |
| 15  | 14  | 13  | 12  | 11  | 10  | 9   | 8   |
| P15 | P14 | P13 | P12 | P11 | P10 | P9  | P8  |
| 7   | 6   | 5   | 4   | 3   | 2   | 1   | 0   |
| P7  | P6  | P5  | P4  | P3  | P2  | P1  | P0  |

- **P0-P31: PIO Status**

0 = PIO is inactive on the corresponding I/O line (peripheral is active).

1 = PIO is active on the corresponding I/O line (peripheral is inactive).

## 27.6.4 PIO Controller Output Enable Register

**Name:** PIO\_OER

**Access Type:** Write-only

|     |     |     |     |     |     |     |     |
|-----|-----|-----|-----|-----|-----|-----|-----|
| 31  | 30  | 29  | 28  | 27  | 26  | 25  | 24  |
| P31 | P30 | P29 | P28 | P27 | P26 | P25 | P24 |
| 23  | 22  | 21  | 20  | 19  | 18  | 17  | 16  |
| P23 | P22 | P21 | P20 | P19 | P18 | P17 | P16 |
| 15  | 14  | 13  | 12  | 11  | 10  | 9   | 8   |
| P15 | P14 | P13 | P12 | P11 | P10 | P9  | P8  |
| 7   | 6   | 5   | 4   | 3   | 2   | 1   | 0   |
| P7  | P6  | P5  | P4  | P3  | P2  | P1  | P0  |

- **P0-P31: Output Enable**

0 = No effect.

1 = Enables the output on the I/O line.

### 27.6.5 PIO Controller Output Disable Register

Name: PIO\_ODR

Access Type: Write-only

|     |     |     |     |     |     |     |     |
|-----|-----|-----|-----|-----|-----|-----|-----|
| 31  | 30  | 29  | 28  | 27  | 26  | 25  | 24  |
| P31 | P30 | P29 | P28 | P27 | P26 | P25 | P24 |
| 23  | 22  | 21  | 20  | 19  | 18  | 17  | 16  |
| P23 | P22 | P21 | P20 | P19 | P18 | P17 | P16 |
| 15  | 14  | 13  | 12  | 11  | 10  | 9   | 8   |
| P15 | P14 | P13 | P12 | P11 | P10 | P9  | P8  |
| 7   | 6   | 5   | 4   | 3   | 2   | 1   | 0   |
| P7  | P6  | P5  | P4  | P3  | P2  | P1  | P0  |

- **P0-P31: Output Disable**

0 = No effect.

1 = Disables the output on the I/O line.

### 27.6.6 PIO Controller Output Status Register

Name: PIO\_OSR

Access Type: Read-only

|     |     |     |     |     |     |     |     |
|-----|-----|-----|-----|-----|-----|-----|-----|
| 31  | 30  | 29  | 28  | 27  | 26  | 25  | 24  |
| P31 | P30 | P29 | P28 | P27 | P26 | P25 | P24 |
| 23  | 22  | 21  | 20  | 19  | 18  | 17  | 16  |
| P23 | P22 | P21 | P20 | P19 | P18 | P17 | P16 |
| 15  | 14  | 13  | 12  | 11  | 10  | 9   | 8   |
| P15 | P14 | P13 | P12 | P11 | P10 | P9  | P8  |
| 7   | 6   | 5   | 4   | 3   | 2   | 1   | 0   |
| P7  | P6  | P5  | P4  | P3  | P2  | P1  | P0  |

- **P0-P31: Output Status**

0 = The I/O line is a pure input.

1 = The I/O line is enabled in output.

## 27.6.7 PIO Controller Input Filter Enable Register

**Name:** PIO\_IFER

**Access Type:** Write-only

|     |     |     |     |     |     |     |     |
|-----|-----|-----|-----|-----|-----|-----|-----|
| 31  | 30  | 29  | 28  | 27  | 26  | 25  | 24  |
| P31 | P30 | P29 | P28 | P27 | P26 | P25 | P24 |
| 23  | 22  | 21  | 20  | 19  | 18  | 17  | 16  |
| P23 | P22 | P21 | P20 | P19 | P18 | P17 | P16 |
| 15  | 14  | 13  | 12  | 11  | 10  | 9   | 8   |
| P15 | P14 | P13 | P12 | P11 | P10 | P9  | P8  |
| 7   | 6   | 5   | 4   | 3   | 2   | 1   | 0   |
| P7  | P6  | P5  | P4  | P3  | P2  | P1  | P0  |

- **P0-P31: Input Filter Enable**

0 = No effect.

1 = Enables the input glitch filter on the I/O line.

## 27.6.8 PIO Controller Input Filter Disable Register

**Name:** PIO\_IFDR

**Access Type:** Write-only

|     |     |     |     |     |     |     |     |
|-----|-----|-----|-----|-----|-----|-----|-----|
| 31  | 30  | 29  | 28  | 27  | 26  | 25  | 24  |
| P31 | P30 | P29 | P28 | P27 | P26 | P25 | P24 |
| 23  | 22  | 21  | 20  | 19  | 18  | 17  | 16  |
| P23 | P22 | P21 | P20 | P19 | P18 | P17 | P16 |
| 15  | 14  | 13  | 12  | 11  | 10  | 9   | 8   |
| P15 | P14 | P13 | P12 | P11 | P10 | P9  | P8  |
| 7   | 6   | 5   | 4   | 3   | 2   | 1   | 0   |
| P7  | P6  | P5  | P4  | P3  | P2  | P1  | P0  |

- **P0-P31: Input Filter Disable**

0 = No effect.

1 = Disables the input glitch filter on the I/O line.



### 27.6.9 PIO Controller Input Filter Status Register

Name: PIO\_IFSR

Access Type: Read-only

|     |     |     |     |     |     |     |     |
|-----|-----|-----|-----|-----|-----|-----|-----|
| 31  | 30  | 29  | 28  | 27  | 26  | 25  | 24  |
| P31 | P30 | P29 | P28 | P27 | P26 | P25 | P24 |
| 23  | 22  | 21  | 20  | 19  | 18  | 17  | 16  |
| P23 | P22 | P21 | P20 | P19 | P18 | P17 | P16 |
| 15  | 14  | 13  | 12  | 11  | 10  | 9   | 8   |
| P15 | P14 | P13 | P12 | P11 | P10 | P9  | P8  |
| 7   | 6   | 5   | 4   | 3   | 2   | 1   | 0   |
| P7  | P6  | P5  | P4  | P3  | P2  | P1  | P0  |

• **P0-P31: Input Filter Status**

0 = The input glitch filter is disabled on the I/O line.

1 = The input glitch filter is enabled on the I/O line.

### 27.6.10 PIO Controller Set Output Data Register

Name: PIO\_SODR

Access Type: Write-only

|     |     |     |     |     |     |     |     |
|-----|-----|-----|-----|-----|-----|-----|-----|
| 31  | 30  | 29  | 28  | 27  | 26  | 25  | 24  |
| P31 | P30 | P29 | P28 | P27 | P26 | P25 | P24 |
| 23  | 22  | 21  | 20  | 19  | 18  | 17  | 16  |
| P23 | P22 | P21 | P20 | P19 | P18 | P17 | P16 |
| 15  | 14  | 13  | 12  | 11  | 10  | 9   | 8   |
| P15 | P14 | P13 | P12 | P11 | P10 | P9  | P8  |
| 7   | 6   | 5   | 4   | 3   | 2   | 1   | 0   |
| P7  | P6  | P5  | P4  | P3  | P2  | P1  | P0  |

• **P0-P31: Set Output Data**

0 = No effect.

1 = Sets the data to be driven on the I/O line.

## 27.6.11 PIO Controller Clear Output Data Register

**Name:** PIO\_CODR

**Access Type:** Write-only

|     |     |     |     |     |     |     |     |
|-----|-----|-----|-----|-----|-----|-----|-----|
| 31  | 30  | 29  | 28  | 27  | 26  | 25  | 24  |
| P31 | P30 | P29 | P28 | P27 | P26 | P25 | P24 |
| 23  | 22  | 21  | 20  | 19  | 18  | 17  | 16  |
| P23 | P22 | P21 | P20 | P19 | P18 | P17 | P16 |
| 15  | 14  | 13  | 12  | 11  | 10  | 9   | 8   |
| P15 | P14 | P13 | P12 | P11 | P10 | P9  | P8  |
| 7   | 6   | 5   | 4   | 3   | 2   | 1   | 0   |
| P7  | P6  | P5  | P4  | P3  | P2  | P1  | P0  |

- **P0-P31: Set Output Data**

0 = No effect.

1 = Clears the data to be driven on the I/O line.

## 27.6.12 PIO Controller Output Data Status Register

**Name:** PIO\_ODSR

**Access Type:** Read-only or Read-write

|     |     |     |     |     |     |     |     |
|-----|-----|-----|-----|-----|-----|-----|-----|
| 31  | 30  | 29  | 28  | 27  | 26  | 25  | 24  |
| P31 | P30 | P29 | P28 | P27 | P26 | P25 | P24 |
| 23  | 22  | 21  | 20  | 19  | 18  | 17  | 16  |
| P23 | P22 | P21 | P20 | P19 | P18 | P17 | P16 |
| 15  | 14  | 13  | 12  | 11  | 10  | 9   | 8   |
| P15 | P14 | P13 | P12 | P11 | P10 | P9  | P8  |
| 7   | 6   | 5   | 4   | 3   | 2   | 1   | 0   |
| P7  | P6  | P5  | P4  | P3  | P2  | P1  | P0  |

- **P0-P31: Output Data Status**

0 = The data to be driven on the I/O line is 0.

1 = The data to be driven on the I/O line is 1.

### 27.6.13 PIO Controller Pin Data Status Register

**Name:** PIO\_PDSR

**Access Type:** Read-only

|     |     |     |     |     |     |     |     |
|-----|-----|-----|-----|-----|-----|-----|-----|
| 31  | 30  | 29  | 28  | 27  | 26  | 25  | 24  |
| P31 | P30 | P29 | P28 | P27 | P26 | P25 | P24 |
| 23  | 22  | 21  | 20  | 19  | 18  | 17  | 16  |
| P23 | P22 | P21 | P20 | P19 | P18 | P17 | P16 |
| 15  | 14  | 13  | 12  | 11  | 10  | 9   | 8   |
| P15 | P14 | P13 | P12 | P11 | P10 | P9  | P8  |
| 7   | 6   | 5   | 4   | 3   | 2   | 1   | 0   |
| P7  | P6  | P5  | P4  | P3  | P2  | P1  | P0  |

• **P0-P31: Output Data Status**

0 = The I/O line is at level 0.

1 = The I/O line is at level 1.

### 27.6.14 PIO Controller Interrupt Enable Register

**Name:** PIO\_IER

**Access Type:** Write-only

|     |     |     |     |     |     |     |     |
|-----|-----|-----|-----|-----|-----|-----|-----|
| 31  | 30  | 29  | 28  | 27  | 26  | 25  | 24  |
| P31 | P30 | P29 | P28 | P27 | P26 | P25 | P24 |
| 23  | 22  | 21  | 20  | 19  | 18  | 17  | 16  |
| P23 | P22 | P21 | P20 | P19 | P18 | P17 | P16 |
| 15  | 14  | 13  | 12  | 11  | 10  | 9   | 8   |
| P15 | P14 | P13 | P12 | P11 | P10 | P9  | P8  |
| 7   | 6   | 5   | 4   | 3   | 2   | 1   | 0   |
| P7  | P6  | P5  | P4  | P3  | P2  | P1  | P0  |

• **P0-P31: Input Change Interrupt Enable**

0 = No effect.

1 = Enables the Input Change Interrupt on the I/O line.

## 27.6.15 PIO Controller Interrupt Disable Register

**Name:** PIO\_IDR

**Access Type:** Write-only

|     |     |     |     |     |     |     |     |
|-----|-----|-----|-----|-----|-----|-----|-----|
| 31  | 30  | 29  | 28  | 27  | 26  | 25  | 24  |
| P31 | P30 | P29 | P28 | P27 | P26 | P25 | P24 |
| 23  | 22  | 21  | 20  | 19  | 18  | 17  | 16  |
| P23 | P22 | P21 | P20 | P19 | P18 | P17 | P16 |
| 15  | 14  | 13  | 12  | 11  | 10  | 9   | 8   |
| P15 | P14 | P13 | P12 | P11 | P10 | P9  | P8  |
| 7   | 6   | 5   | 4   | 3   | 2   | 1   | 0   |
| P7  | P6  | P5  | P4  | P3  | P2  | P1  | P0  |

- **P0-P31: Input Change Interrupt Disable**

0 = No effect.

1 = Disables the Input Change Interrupt on the I/O line.

## 27.6.16 PIO Controller Interrupt Mask Register

**Name:** PIO\_IMR

**Access Type:** Read-only

|     |     |     |     |     |     |     |     |
|-----|-----|-----|-----|-----|-----|-----|-----|
| 31  | 30  | 29  | 28  | 27  | 26  | 25  | 24  |
| P31 | P30 | P29 | P28 | P27 | P26 | P25 | P24 |
| 23  | 22  | 21  | 20  | 19  | 18  | 17  | 16  |
| P23 | P22 | P21 | P20 | P19 | P18 | P17 | P16 |
| 15  | 14  | 13  | 12  | 11  | 10  | 9   | 8   |
| P15 | P14 | P13 | P12 | P11 | P10 | P9  | P8  |
| 7   | 6   | 5   | 4   | 3   | 2   | 1   | 0   |
| P7  | P6  | P5  | P4  | P3  | P2  | P1  | P0  |

- **P0-P31: Input Change Interrupt Mask**

0 = Input Change Interrupt is disabled on the I/O line.

1 = Input Change Interrupt is enabled on the I/O line.

### 27.6.17 PIO Controller Interrupt Status Register

**Name:** PIO\_ISR

**Access Type:** Read-only

|     |     |     |     |     |     |     |     |
|-----|-----|-----|-----|-----|-----|-----|-----|
| 31  | 30  | 29  | 28  | 27  | 26  | 25  | 24  |
| P31 | P30 | P29 | P28 | P27 | P26 | P25 | P24 |
| 23  | 22  | 21  | 20  | 19  | 18  | 17  | 16  |
| P23 | P22 | P21 | P20 | P19 | P18 | P17 | P16 |
| 15  | 14  | 13  | 12  | 11  | 10  | 9   | 8   |
| P15 | P14 | P13 | P12 | P11 | P10 | P9  | P8  |
| 7   | 6   | 5   | 4   | 3   | 2   | 1   | 0   |
| P7  | P6  | P5  | P4  | P3  | P2  | P1  | P0  |

- **P0-P31: Input Change Interrupt Status**

0 = No Input Change has been detected on the I/O line since PIO\_ISR was last read or since reset.

1 = At least one Input Change has been detected on the I/O line since PIO\_ISR was last read or since reset.

### 27.6.18 PIO Multi-driver Enable Register

**Name:** PIO\_MDER

**Access Type:** Write-only

|     |     |     |     |     |     |     |     |
|-----|-----|-----|-----|-----|-----|-----|-----|
| 31  | 30  | 29  | 28  | 27  | 26  | 25  | 24  |
| P31 | P30 | P29 | P28 | P27 | P26 | P25 | P24 |
| 23  | 22  | 21  | 20  | 19  | 18  | 17  | 16  |
| P23 | P22 | P21 | P20 | P19 | P18 | P17 | P16 |
| 15  | 14  | 13  | 12  | 11  | 10  | 9   | 8   |
| P15 | P14 | P13 | P12 | P11 | P10 | P9  | P8  |
| 7   | 6   | 5   | 4   | 3   | 2   | 1   | 0   |
| P7  | P6  | P5  | P4  | P3  | P2  | P1  | P0  |

- **P0-P31: Multi Drive Enable.**

0 = No effect.

1 = Enables Multi Drive on the I/O line.



## 27.6.19 PIO Multi-driver Disable Register

**Name:** PIO\_MDDR

**Access Type:** Write-only

|     |     |     |     |     |     |     |     |
|-----|-----|-----|-----|-----|-----|-----|-----|
| 31  | 30  | 29  | 28  | 27  | 26  | 25  | 24  |
| P31 | P30 | P29 | P28 | P27 | P26 | P25 | P24 |
| 23  | 22  | 21  | 20  | 19  | 18  | 17  | 16  |
| P23 | P22 | P21 | P20 | P19 | P18 | P17 | P16 |
| 15  | 14  | 13  | 12  | 11  | 10  | 9   | 8   |
| P15 | P14 | P13 | P12 | P11 | P10 | P9  | P8  |
| 7   | 6   | 5   | 4   | 3   | 2   | 1   | 0   |
| P7  | P6  | P5  | P4  | P3  | P2  | P1  | P0  |

- **P0-P31: Multi Drive Disable.**

0 = No effect.

1 = Disables Multi Drive on the I/O line.

## 27.6.20 PIO Multi-driver Status Register

**Name:** PIO\_MDSR

**Access Type:** Read-only

|     |     |     |     |     |     |     |     |
|-----|-----|-----|-----|-----|-----|-----|-----|
| 31  | 30  | 29  | 28  | 27  | 26  | 25  | 24  |
| P31 | P30 | P29 | P28 | P27 | P26 | P25 | P24 |
| 23  | 22  | 21  | 20  | 19  | 18  | 17  | 16  |
| P23 | P22 | P21 | P20 | P19 | P18 | P17 | P16 |
| 15  | 14  | 13  | 12  | 11  | 10  | 9   | 8   |
| P15 | P14 | P13 | P12 | P11 | P10 | P9  | P8  |
| 7   | 6   | 5   | 4   | 3   | 2   | 1   | 0   |
| P7  | P6  | P5  | P4  | P3  | P2  | P1  | P0  |

- **P0-P31: Multi Drive Status.**

0 = The Multi Drive is disabled on the I/O line. The pin is driven at high and low level.

1 = The Multi Drive is enabled on the I/O line. The pin is driven at low level only.



### 27.6.21 PIO Pull Up Disable Register

Name: PIO\_PUDR

Access Type: Write-only

|     |     |     |     |     |     |     |     |
|-----|-----|-----|-----|-----|-----|-----|-----|
| 31  | 30  | 29  | 28  | 27  | 26  | 25  | 24  |
| P31 | P30 | P29 | P28 | P27 | P26 | P25 | P24 |
| 23  | 22  | 21  | 20  | 19  | 18  | 17  | 16  |
| P23 | P22 | P21 | P20 | P19 | P18 | P17 | P16 |
| 15  | 14  | 13  | 12  | 11  | 10  | 9   | 8   |
| P15 | P14 | P13 | P12 | P11 | P10 | P9  | P8  |
| 7   | 6   | 5   | 4   | 3   | 2   | 1   | 0   |
| P7  | P6  | P5  | P4  | P3  | P2  | P1  | P0  |

- **P0-P31: Pull Up Disable.**

0 = No effect.

1 = Disables the pull up resistor on the I/O line.

### 27.6.22 PIO Pull Up Enable Register

Name: PIO\_PUER

Access Type: Write-only

|     |     |     |     |     |     |     |     |
|-----|-----|-----|-----|-----|-----|-----|-----|
| 31  | 30  | 29  | 28  | 27  | 26  | 25  | 24  |
| P31 | P30 | P29 | P28 | P27 | P26 | P25 | P24 |
| 23  | 22  | 21  | 20  | 19  | 18  | 17  | 16  |
| P23 | P22 | P21 | P20 | P19 | P18 | P17 | P16 |
| 15  | 14  | 13  | 12  | 11  | 10  | 9   | 8   |
| P15 | P14 | P13 | P12 | P11 | P10 | P9  | P8  |
| 7   | 6   | 5   | 4   | 3   | 2   | 1   | 0   |
| P7  | P6  | P5  | P4  | P3  | P2  | P1  | P0  |

- **P0-P31: Pull Up Enable.**

0 = No effect.

1 = Enables the pull up resistor on the I/O line.

## 27.6.23 PIO Pull Up Status Register

Name: PIO\_PUSR

Access Type: Read-only

|     |     |     |     |     |     |     |     |
|-----|-----|-----|-----|-----|-----|-----|-----|
| 31  | 30  | 29  | 28  | 27  | 26  | 25  | 24  |
| P31 | P30 | P29 | P28 | P27 | P26 | P25 | P24 |
| 23  | 22  | 21  | 20  | 19  | 18  | 17  | 16  |
| P23 | P22 | P21 | P20 | P19 | P18 | P17 | P16 |
| 15  | 14  | 13  | 12  | 11  | 10  | 9   | 8   |
| P15 | P14 | P13 | P12 | P11 | P10 | P9  | P8  |
| 7   | 6   | 5   | 4   | 3   | 2   | 1   | 0   |
| P7  | P6  | P5  | P4  | P3  | P2  | P1  | P0  |

- **P0-P31: Pull Up Status.**

0 = Pull Up resistor is enabled on the I/O line.

1 = Pull Up resistor is disabled on the I/O line.

## 27.6.24 PIO Peripheral A Select Register

Name: PIO\_AS

Access Type: Write-only

|     |     |     |     |     |     |     |     |
|-----|-----|-----|-----|-----|-----|-----|-----|
| 31  | 30  | 29  | 28  | 27  | 26  | 25  | 24  |
| P31 | P30 | P29 | P28 | P27 | P26 | P25 | P24 |
| 23  | 22  | 21  | 20  | 19  | 18  | 17  | 16  |
| P23 | P22 | P21 | P20 | P19 | P18 | P17 | P16 |
| 15  | 14  | 13  | 12  | 11  | 10  | 9   | 8   |
| P15 | P14 | P13 | P12 | P11 | P10 | P9  | P8  |
| 7   | 6   | 5   | 4   | 3   | 2   | 1   | 0   |
| P7  | P6  | P5  | P4  | P3  | P2  | P1  | P0  |

- **P0-P31: Peripheral A Select.**

0 = No effect.

1 = Assigns the I/O line to the Peripheral A function.



### 27.6.25 PIO Peripheral B Select Register

Name: PIO\_BSR

Access Type: Write-only

|     |     |     |     |     |     |     |     |
|-----|-----|-----|-----|-----|-----|-----|-----|
| 31  | 30  | 29  | 28  | 27  | 26  | 25  | 24  |
| P31 | P30 | P29 | P28 | P27 | P26 | P25 | P24 |
| 23  | 22  | 21  | 20  | 19  | 18  | 17  | 16  |
| P23 | P22 | P21 | P20 | P19 | P18 | P17 | P16 |
| 15  | 14  | 13  | 12  | 11  | 10  | 9   | 8   |
| P15 | P14 | P13 | P12 | P11 | P10 | P9  | P8  |
| 7   | 6   | 5   | 4   | 3   | 2   | 1   | 0   |
| P7  | P6  | P5  | P4  | P3  | P2  | P1  | P0  |

• **P0-P31: Peripheral B Select.**

0 = No effect.

1 = Assigns the I/O line to the peripheral B function.

### 27.6.26 PIO Peripheral A B Status Register

Name: PIO\_ABSR

Access Type: Read-only

|     |     |     |     |     |     |     |     |
|-----|-----|-----|-----|-----|-----|-----|-----|
| 31  | 30  | 29  | 28  | 27  | 26  | 25  | 24  |
| P31 | P30 | P29 | P28 | P27 | P26 | P25 | P24 |
| 23  | 22  | 21  | 20  | 19  | 18  | 17  | 16  |
| P23 | P22 | P21 | P20 | P19 | P18 | P17 | P16 |
| 15  | 14  | 13  | 12  | 11  | 10  | 9   | 8   |
| P15 | P14 | P13 | P12 | P11 | P10 | P9  | P8  |
| 7   | 6   | 5   | 4   | 3   | 2   | 1   | 0   |
| P7  | P6  | P5  | P4  | P3  | P2  | P1  | P0  |

• **P0-P31: Peripheral A B Status.**

0 = The I/O line is assigned to the Peripheral A.

1 = The I/O line is assigned to the Peripheral B.

## 27.6.27 PIO Output Write Enable Register

**Name:** PIO\_OWER

**Access Type:** Write-only

|     |     |     |     |     |     |     |     |
|-----|-----|-----|-----|-----|-----|-----|-----|
| 31  | 30  | 29  | 28  | 27  | 26  | 25  | 24  |
| P31 | P30 | P29 | P28 | P27 | P26 | P25 | P24 |
| 23  | 22  | 21  | 20  | 19  | 18  | 17  | 16  |
| P23 | P22 | P21 | P20 | P19 | P18 | P17 | P16 |
| 15  | 14  | 13  | 12  | 11  | 10  | 9   | 8   |
| P15 | P14 | P13 | P12 | P11 | P10 | P9  | P8  |
| 7   | 6   | 5   | 4   | 3   | 2   | 1   | 0   |
| P7  | P6  | P5  | P4  | P3  | P2  | P1  | P0  |

- **P0-P31: Output Write Enable.**

0 = No effect.

1 = Enables writing PIO\_ODSR for the I/O line.

## 27.6.28 PIO Output Write Disable Register

**Name:** PIO\_OWDR

**Access Type:** Write-only

|     |     |     |     |     |     |     |     |
|-----|-----|-----|-----|-----|-----|-----|-----|
| 31  | 30  | 29  | 28  | 27  | 26  | 25  | 24  |
| P31 | P30 | P29 | P28 | P27 | P26 | P25 | P24 |
| 23  | 22  | 21  | 20  | 19  | 18  | 17  | 16  |
| P23 | P22 | P21 | P20 | P19 | P18 | P17 | P16 |
| 15  | 14  | 13  | 12  | 11  | 10  | 9   | 8   |
| P15 | P14 | P13 | P12 | P11 | P10 | P9  | P8  |
| 7   | 6   | 5   | 4   | 3   | 2   | 1   | 0   |
| P7  | P6  | P5  | P4  | P3  | P2  | P1  | P0  |

- **P0-P31: Output Write Disable.**

0 = No effect.

1 = Disables writing PIO\_ODSR for the I/O line.



### 27.6.29 PIO Output Write Status Register

Name: PIO\_OWSR

Access Type: Read-only

|     |     |     |     |     |     |     |     |
|-----|-----|-----|-----|-----|-----|-----|-----|
| 31  | 30  | 29  | 28  | 27  | 26  | 25  | 24  |
| P31 | P30 | P29 | P28 | P27 | P26 | P25 | P24 |
| 23  | 22  | 21  | 20  | 19  | 18  | 17  | 16  |
| P23 | P22 | P21 | P20 | P19 | P18 | P17 | P16 |
| 15  | 14  | 13  | 12  | 11  | 10  | 9   | 8   |
| P15 | P14 | P13 | P12 | P11 | P10 | P9  | P8  |
| 7   | 6   | 5   | 4   | 3   | 2   | 1   | 0   |
| P7  | P6  | P5  | P4  | P3  | P2  | P1  | P0  |

- **P0-P31: Output Write Status.**

0 = Writing PIO\_ODSR does not affect the I/O line.

1 = Writing PIO\_ODSR affects the I/O line.

## 28. Serial Peripheral Interface (SPI)

### 28.1 Overview

The Serial Peripheral Interface (SPI) circuit is a synchronous serial data link that provides communication with external devices in Master or Slave Mode. It also enables communication between processors if an external processor is connected to the system.

The Serial Peripheral Interface is essentially a shift register that serially transmits data bits to other SPIs. During a data transfer, one SPI system acts as the "master" which controls the data flow, while the other devices act as "slaves" which have data shifted into and out by the master. Different CPUs can take turn being masters (Multiple Master Protocol opposite to Single Master Protocol where one CPU is always the master while all of the others are always slaves) and one master may simultaneously shift data into multiple slaves. However, only one slave may drive its output to write data back to the master at any given time.

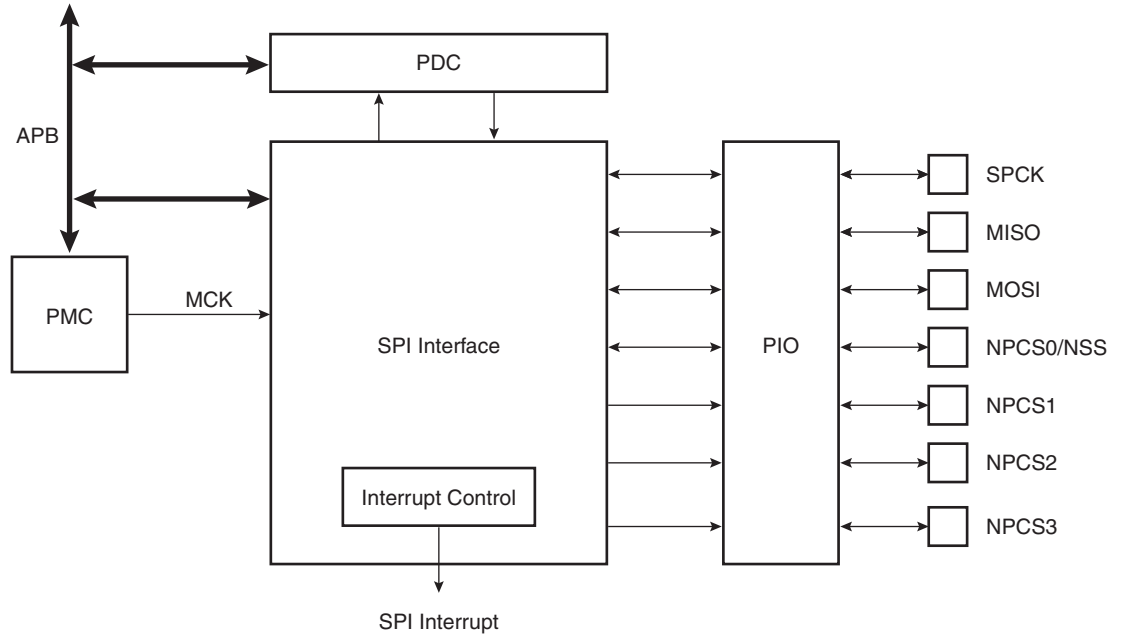
A slave device is selected when the master asserts its NSS signal. If multiple slave devices exist, the master generates a separate slave select signal for each slave (NPCS).

The SPI system consists of two data lines and two control lines:

- Master Out Slave In (MOSI): This data line supplies the output data from the master shifted into the input(s) of the slave(s).
- Master In Slave Out (MISO): This data line supplies the output data from a slave to the input of the master. There may be no more than one slave transmitting data during any particular transfer.
- Serial Clock (SPCK): This control line is driven by the master and regulates the flow of the data bits. The master may transmit data at a variety of baud rates; the SPCK line cycles once for each bit that is transmitted.
- Slave Select (NSS): This control line allows slaves to be turned on and off by hardware.

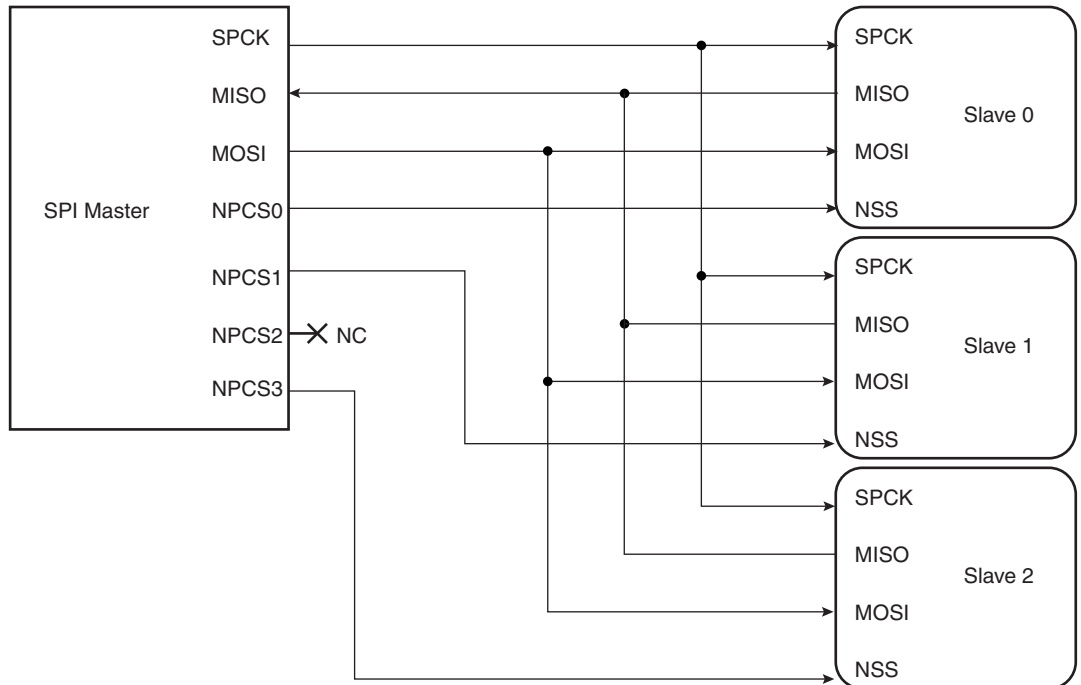
## 28.2 Block Diagram

Figure 28-1. Block Diagram



## 28.3 Application Block Diagram

Figure 28-2. Application Block Diagram: Single Master/Multiple Slave Implementation





## 28.4 Signal Description

Table 28-1. Signal Description

| Pin Name    | Pin Description                     | Type   |        |
|-------------|-------------------------------------|--------|--------|
|             |                                     | Master | Slave  |
| MISO        | Master In Slave Out                 | Input  | Output |
| MOSI        | Master Out Slave In                 | Output | Input  |
| SPCK        | Serial Clock                        | Output | Input  |
| NPCS1-NPCS3 | Peripheral Chip Selects             | Output | Unused |
| NPCS0/NSS   | Peripheral Chip Select/Slave Select | Output | Input  |

## 28.5 Product Dependencies

### 28.5.1 I/O Lines

The pins used for interfacing the compliant external devices may be multiplexed with PIO lines. The programmer must first program the PIO controllers to assign the SPI pins to their peripheral functions.

### 28.5.2 Power Management

The SPI may be clocked through the Power Management Controller (PMC), thus the programmer must first configure the PMC to enable the SPI clock.

### 28.5.3 Interrupt

The SPI interface has an interrupt line connected to the Advanced Interrupt Controller (AIC). Handling the SPI interrupt requires programming the AIC before configuring the SPI.

## 28.6 Functional Description

### 28.6.1 Modes of Operation

The SPI operates in Master Mode or in Slave Mode.

Operation in Master Mode is programmed by writing at 1 the MSTR bit in the Mode Register. The pins NPCS0 to NPCS3 are all configured as outputs, the SPCK pin is driven, the MISO line is wired on the receiver input and the MOSI line driven as an output by the transmitter.

If the MSTR bit is written at 0, the SPI operates in Slave Mode. The MISO line is driven by the transmitter output, the MOSI line is wired on the receiver input, the SPCK pin is driven by the transmitter to synchronize the receiver. The NPCS0 pin becomes an input, and is used as a Slave Select signal (NSS). The pins NPCS1 to NPCS3 are not driven and can be used for other purposes.

The data transfers are identically programmable for both modes of operations. The baud rate generator is activated only in Master Mode.

### 28.6.2 Data Transfer

Four combinations of polarity and phase are available for data transfers. The clock polarity is programmed with the CPOL bit in the Chip Select Register. The clock phase is programmed with the NCPHA bit. These two parameters determine the edges of the clock signal on which data is driven and sampled. Each of the two parameters has two possible states, resulting in four possible combinations that are incompatible with one another. Thus, a master/slave pair must use the same parameter pair values to communicate. If multiple slaves are used and fixed in different configurations, the master must reconfigure itself each time it needs to communicate with a different slave.

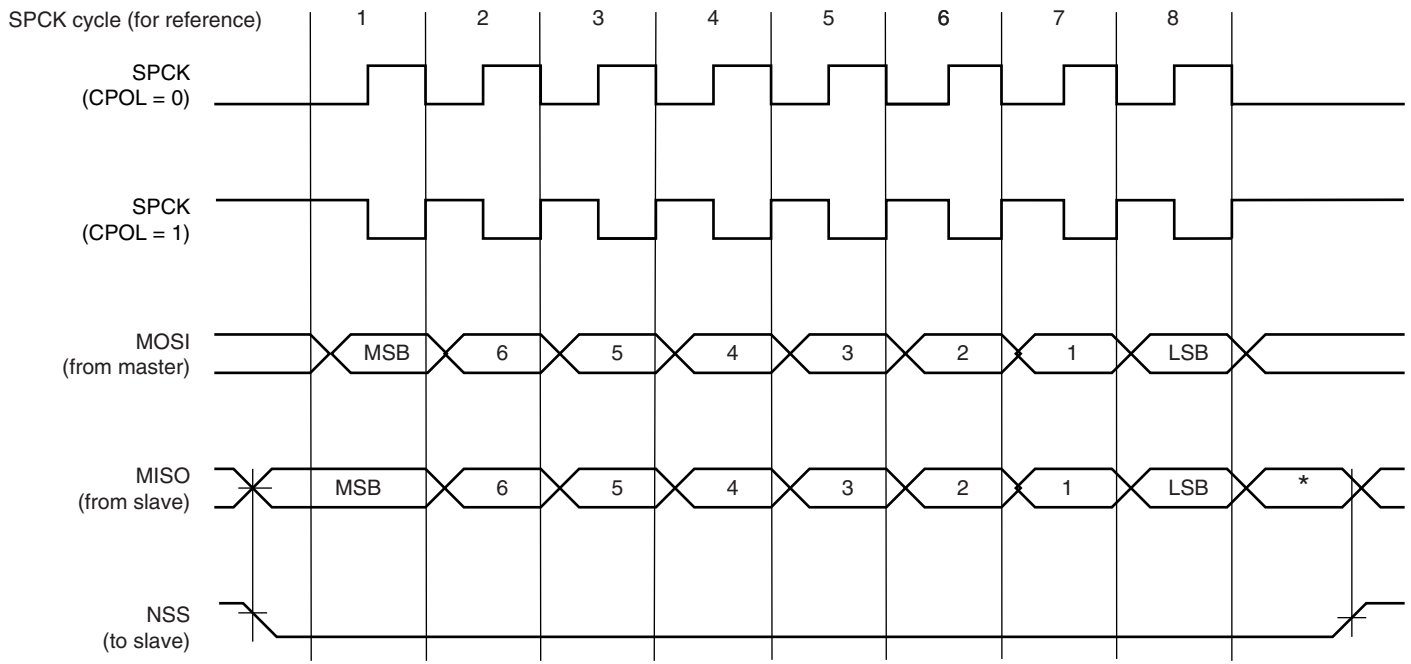
[Table 28-2](#) shows the four modes and corresponding parameter settings.

**Table 28-2.** SPI Bus Protocol Mode

| SPI Mode | CPOL | NCPHA |
|----------|------|-------|
| 0        | 0    | 1     |
| 1        | 0    | 0     |
| 2        | 1    | 1     |
| 3        | 1    | 0     |

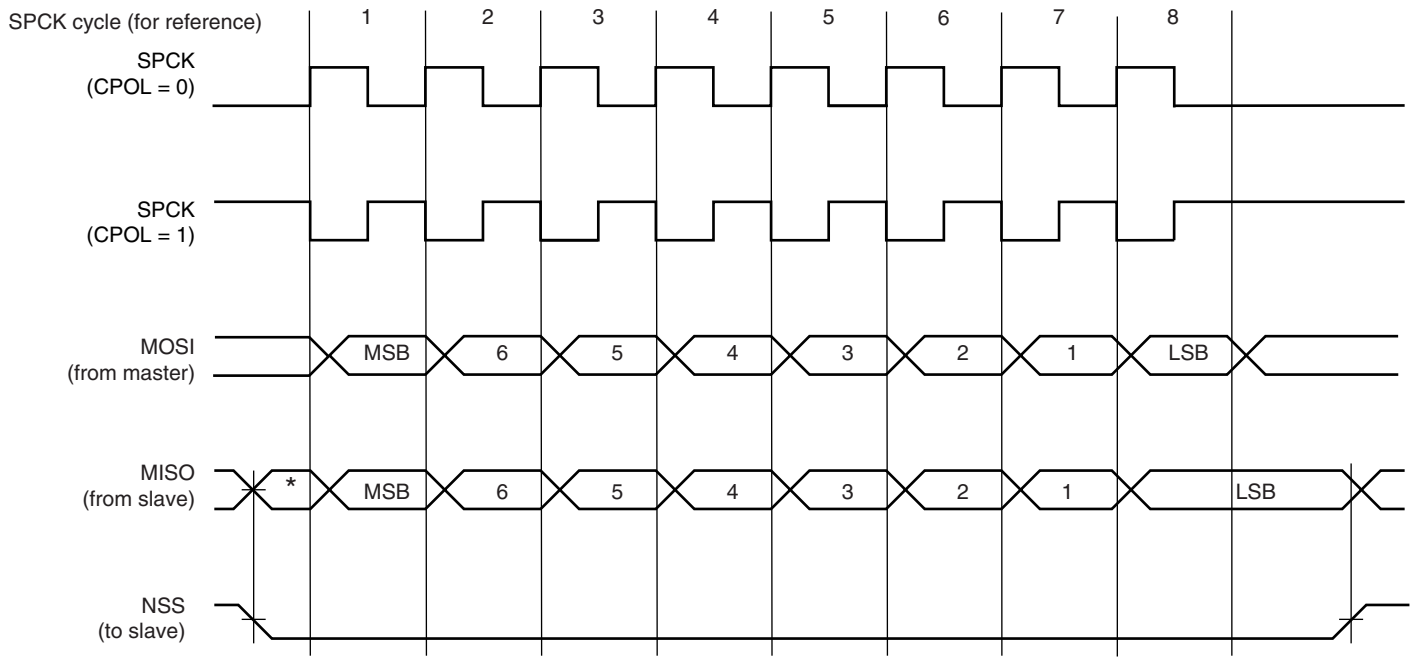
[Figure 28-3](#) and [Figure 28-4](#) show examples of data transfers.

**Figure 28-3.** SPI Transfer Format (NCPHA = 1, 8 bits per transfer)



\* Not defined, but normally MSB of previous character received.

**Figure 28-4.** SPI Transfer Format (NCPHA = 0, 8 bits per transfer)



\* Not defined but normally LSB of previous character transmitted.

### 28.6.3 Master Mode Operations

When configured in Master Mode, the SPI operates on the clock generated by the internal programmable baud rate generator. It fully controls the data transfers to and from the slave(s) connected to the SPI bus. The SPI drives the chip select line to the slave and the serial clock signal (SPCK).

The SPI features two holding registers, the Transmit Data Register and the Receive Data Register, and a single Shift Register. The holding registers maintain the data flow at a constant rate.

After enabling the SPI, a data transfer begins when the processor writes to the SPI\_TDR (Transmit Data Register). The written data is immediately transferred in the Shift Register and transfer on the SPI bus starts. While the data in the Shift Register is shifted on the MOSI line, the MISO line is sampled and shifted in the Shift Register. Transmission cannot occur without reception.

Before writing the TDR, the PCS field must be set in order to select a slave.

If new data is written in SPI\_TDR during the transfer, it stays in it until the current transfer is completed. Then, the received data is transferred from the Shift Register to SPI\_RDR, the data in SPI\_TDR is loaded in the Shift Register and a new transfer starts.

The transfer of a data written in SPI\_TDR in the Shift Register is indicated by the TDRE bit (Transmit Data Register Empty) in the Status Register (SPI\_SR). When new data is written in SPI\_TDR, this bit is cleared. The TDRE bit is used to trigger the Transmit PDC channel.

The end of transfer is indicated by the TXEMPTY flag in the SPI\_SR register. If a transfer delay (DLYBCT) is greater than 0 for the last transfer, TXEMPTY is set after the completion of said delay. The master clock (MCK) can be switched off at this time.

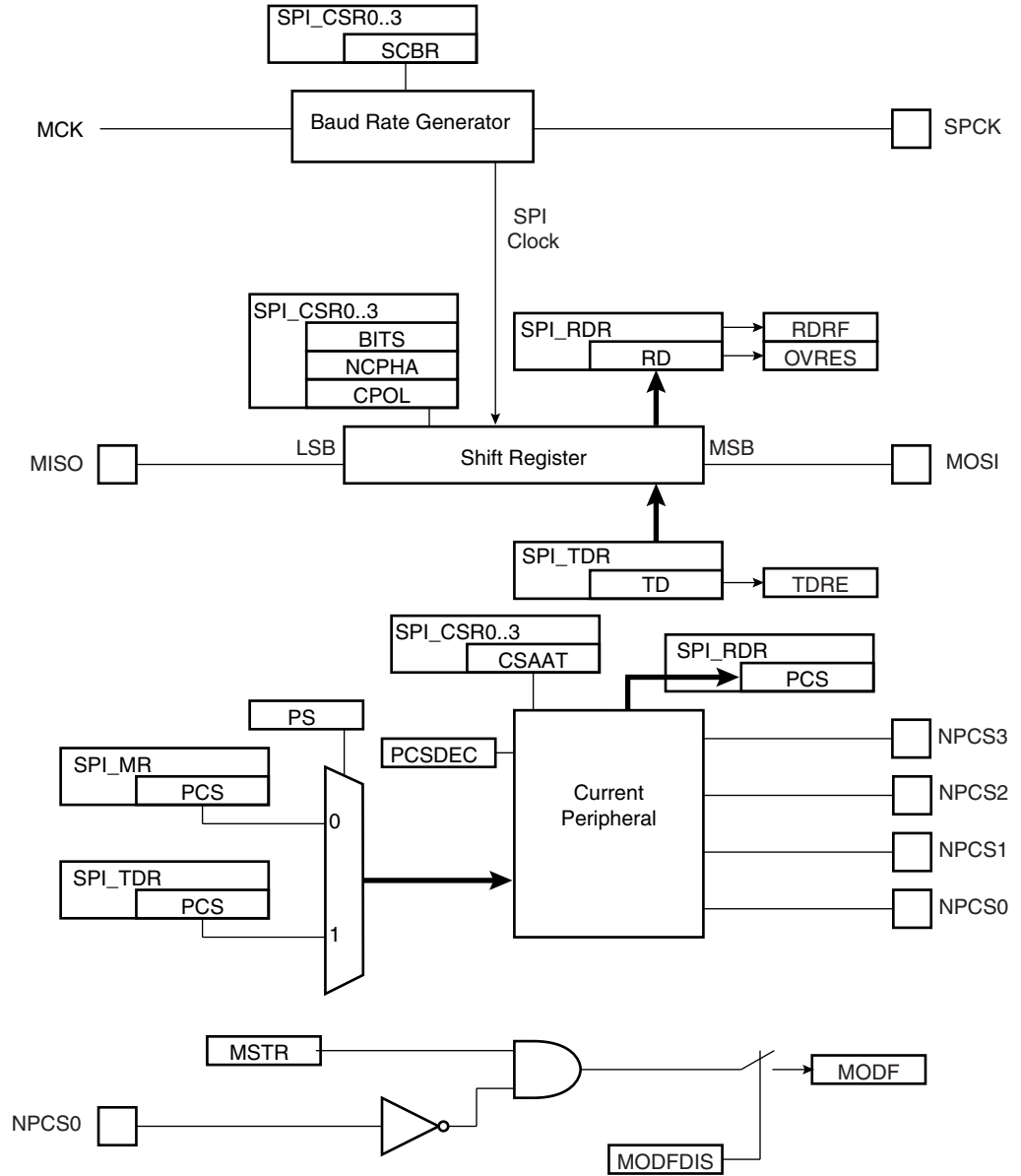
The transfer of received data from the Shift Register in SPI\_RDR is indicated by the RDRF bit (Receive Data Register Full) in the Status Register (SPI\_SR). When the received data is read, the RDRF bit is cleared.

If the SPI\_RDR (Receive Data Register) has not been read before new data is received, the Overrun Error bit (OVRES) in SPI\_SR is set. As long as this flag is set, data is loaded in SPI\_RDR. The user has to read the status register to clear the OVRES bit.

[Figure 28-5 on page 269](#) shows a block diagram of the SPI when operating in Master Mode. [Figure 28-6 on page 270](#) shows a flow chart describing how transfers are handled.

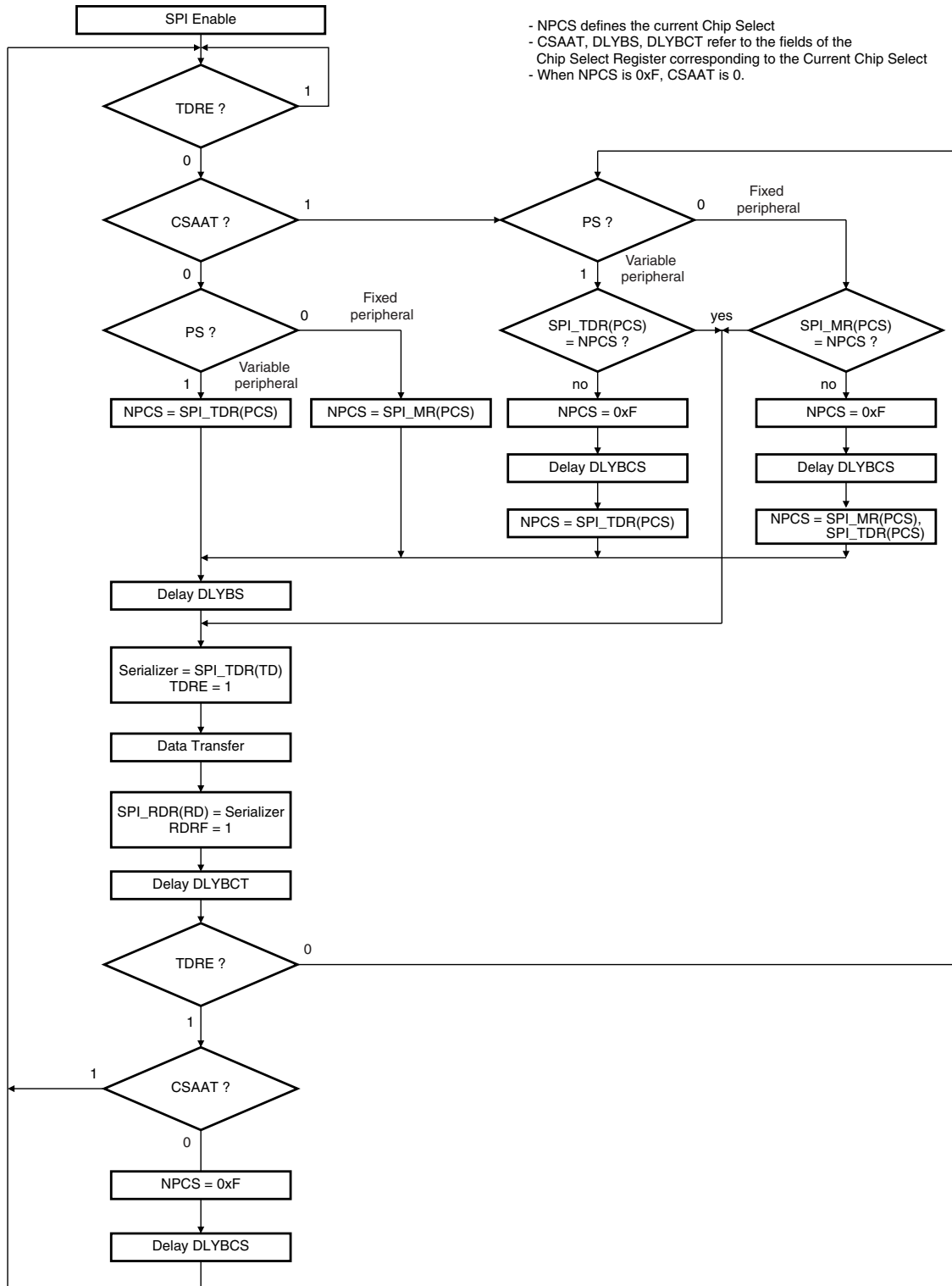
## 28.6.3.1 Master Mode Block Diagram

**Figure 28-5.** Master Mode Block Diagram



28.6.3.2 Master Mode Flow Diagram

Figure 28-6. Master Mode Flow Diagram S



### 28.6.3.3 Clock Generation

The SPI Baud rate clock is generated by dividing the Master Clock (MCK), by a value between 1 and 255.

This allows a maximum operating baud rate at up to Master Clock and a minimum operating baud rate of MCK divided by 255.

Programming the SCBR field at 0 is forbidden. Triggering a transfer while SCBR is at 0 can lead to unpredictable results.

At reset, SCBR is 0 and the user has to program it at a valid value before performing the first transfer.

The divisor can be defined independently for each chip select, as it has to be programmed in the SCBR field of the Chip Select Registers. This allows the SPI to automatically adapt the baud rate for each interfaced peripheral without reprogramming.

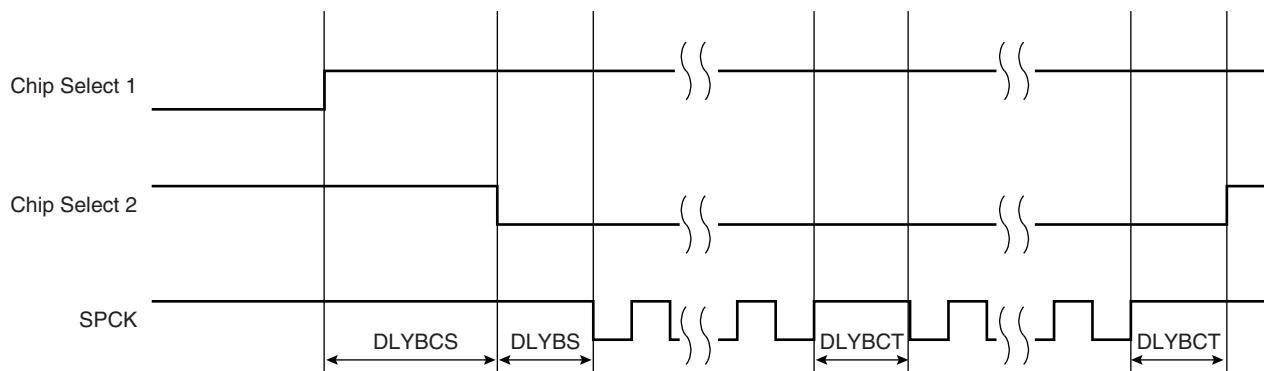
### 28.6.3.4 Transfer Delays

Figure 28-7 shows a chip select transfer change and consecutive transfers on the same chip select. Three delays can be programmed to modify the transfer waveforms:

- The delay between chip selects, programmable only once for all the chip selects by writing the DLYBCS field in the Mode Register. Allows insertion of a delay between release of one chip select and before assertion of a new one.
- The delay before SPCK, independently programmable for each chip select by writing the field DLYBS. Allows the start of SPCK to be delayed after the chip select has been asserted.
- The delay between consecutive transfers, independently programmable for each chip select by writing the DLYBCT field. Allows insertion of a delay between two transfers occurring on the same chip select

These delays allow the SPI to be adapted to the interfaced peripherals and their speed and bus release time.

**Figure 28-7.** Programmable Delays



### 28.6.3.5 Peripheral Selection

The serial peripherals are selected through the assertion of the NPCS0 to NPCS3 signals. By default, all the NPCS signals are high before and after each transfer.

The peripheral selection can be performed in two different ways:

- Fixed Peripheral Select: SPI exchanges data with only one peripheral

- Variable Peripheral Select: Data can be exchanged with more than one peripheral

Fixed Peripheral Select is activated by writing the PS bit to zero in SPI\_MR (Mode Register). In this case, the current peripheral is defined by the PCS field in SPI\_MR and the PCS field in the SPI\_TDR has no effect.

Variable Peripheral Select is activated by setting PS bit to one. The PCS field in SPI\_TDR is used to select the current peripheral. This means that the peripheral selection can be defined for each new data.

The Fixed Peripheral Selection allows buffer transfers with a single peripheral. Using the PDC is an optimal means, as the size of the data transfer between the memory and the SPI is either 8 bits or 16 bits. However, changing the peripheral selection requires the Mode Register to be reprogrammed.

The Variable Peripheral Selection allows buffer transfers with multiple peripherals without reprogramming the Mode Register. Data written in SPI\_TDR is 32 bits wide and defines the real data to be transmitted and the peripheral it is destined to. Using the PDC in this mode requires 32-bit wide buffers, with the data in the LSBs and the PCS and LASTXFER fields in the MSBs, however the SPI still controls the number of bits (8 to 16) to be transferred through MISO and MOSI lines with the chip select configuration registers. This is not the optimal means in term of memory size for the buffers, but it provides a very effective means to exchange data with several peripherals without any intervention of the processor.

#### 28.6.3.6 Peripheral Chip Select Decoding

The user can program the SPI to operate with up to 15 peripherals by decoding the four Chip Select lines, NPCS0 to NPCS3 with an external logic. This can be enabled by writing the PCS-DEC bit at 1 in the Mode Register (SPI\_MR).

When operating without decoding, the SPI makes sure that in any case only one chip select line is activated, i.e. driven low at a time. If two bits are defined low in a PCS field, only the lowest numbered chip select is driven low.

When operating with decoding, the SPI directly outputs the value defined by the PCS field of either the Mode Register or the Transmit Data Register (depending on PS).

As the SPI sets a default value of 0xF on the chip select lines (i.e. all chip select lines at 1) when not processing any transfer, only 15 peripherals can be decoded.

The SPI has only four Chip Select Registers, not 15. As a result, when decoding is activated, each chip select defines the characteristics of up to four peripherals. As an example, SPI\_CRSD0 defines the characteristics of the externally decoded peripherals 0 to 3, corresponding to the PCS values 0x0 to 0x3. Thus, the user has to make sure to connect compatible peripherals on the decoded chip select lines 0 to 3, 4 to 7, 8 to 11 and 12 to 14.

#### 28.6.3.7 Peripheral Deselection

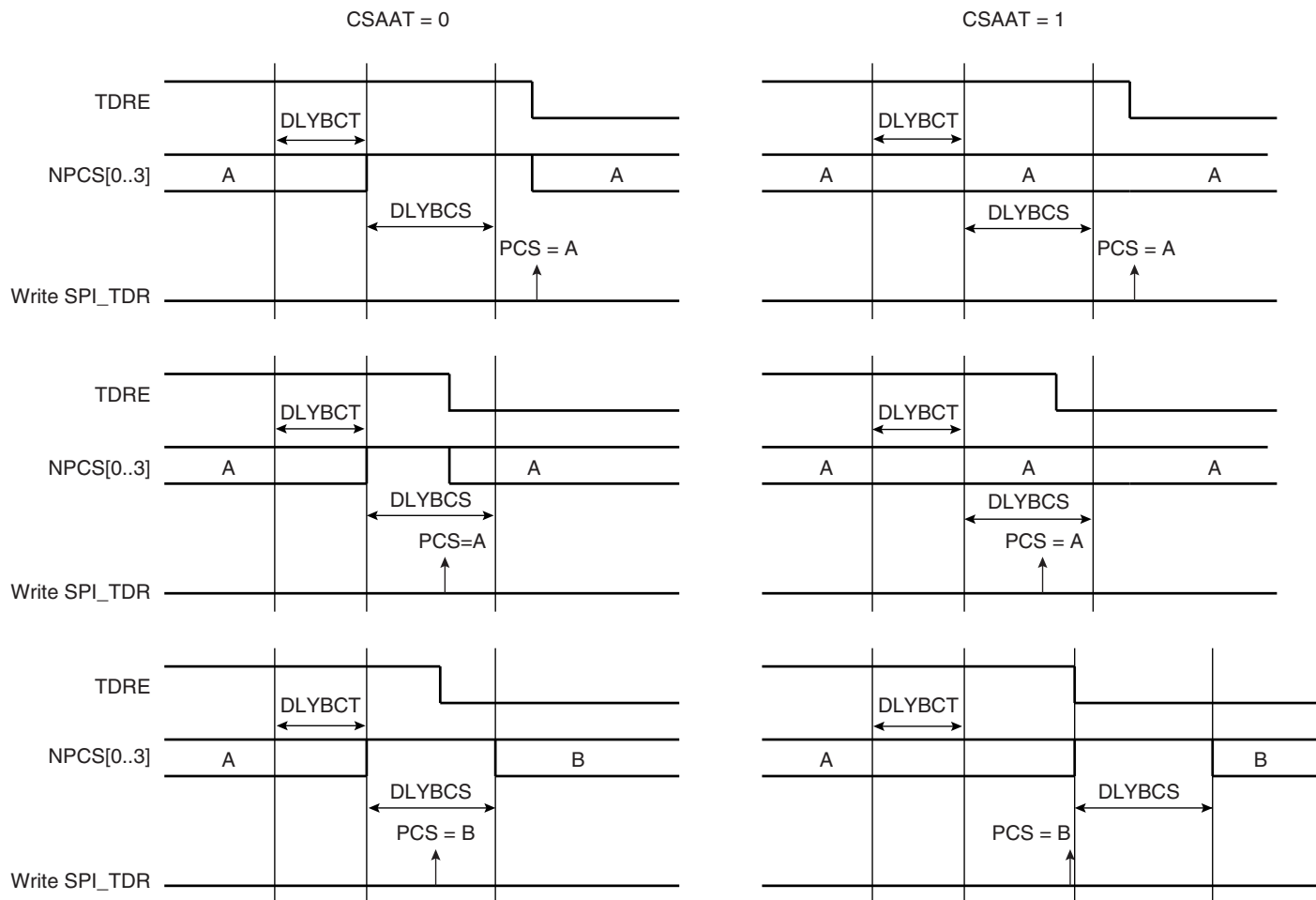
When operating normally, as soon as the transfer of the last data written in SPI\_TDR is completed, the NPCS lines all rise. This might lead to runtime error if the processor is too long in responding to an interrupt, and thus might lead to difficulties for interfacing with some serial peripherals requiring the chip select line to remain active during a full set of transfers.

To facilitate interfacing with such devices, the Chip Select Register can be programmed with the CSAAT bit (Chip Select Active After Transfer) at 1. This allows the chip select lines to remain in their current state (low = active) until transfer to another peripheral is required.



Figure 28-8 shows different peripheral deselection cases and the effect of the CSAAT bit.

**Figure 28-8.** Peripheral Deselection



### 28.6.3.8 Mode Fault Detection

A mode fault is detected when the SPI is programmed in Master Mode and a low level is driven by an external master on the NPCS0/NSS signal. NPCS0, MOSI, MISO and SPCK must be configured in open drain through the PIO controller, so that external pull up resistors are needed to guarantee high level.

When a mode fault is detected, the MODF bit in the SPI\_SR is set until the SPI\_SR is read and the SPI is automatically disabled until re-enabled by writing the SPIEN bit in the SPI\_CR (Control Register) at 1.

By default, the Mode Fault detection circuitry is enabled. The user can disable Mode Fault detection by setting the MODFDIS bit in the SPI Mode Register (SPI\_MR).

### 28.6.4 SPI Slave Mode

When operating in Slave Mode, the SPI processes data bits on the clock provided on the SPI clock pin (SPCK).

The SPI waits for NSS to go active before receiving the serial clock from an external master. When NSS falls, the clock is validated on the serializer, which processes the number of bits

defined by the BITS field of the Chip Select Register 0 (SPI\_CSR0). These bits are processed following a phase and a polarity defined respectively by the NCPHA and CPOL bits of the SPI\_CSR0. Note that BITS, CPOL and NCPHA of the other Chip Select Registers have no effect when the SPI is programmed in Slave Mode.

The bits are shifted out on the MISO line and sampled on the MOSI line.

When all the bits are processed, the received data is transferred in the Receive Data Register and the RDRF bit rises. If the SPI\_RDR (Receive Data Register) has not been read before new data is received, the Overrun Error bit (OVRES) in SPI\_SR is set. As long as this flag is set, data is loaded in SPI\_RDR. The user has to read the status register to clear the OVRES bit.

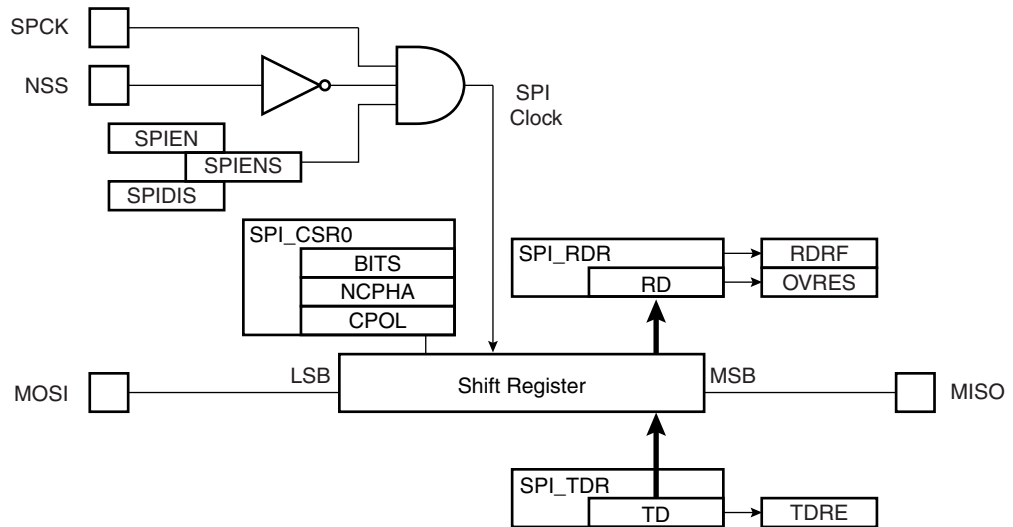
When a transfer starts, the data shifted out is the data present in the Shift Register. If no data has been written in the Transmit Data Register (SPI\_TDR), the last data received is transferred. If no data has been received since the last reset, all bits are transmitted low, as the Shift Register resets at 0.

When a first data is written in SPI\_TDR, it is transferred immediately in the Shift Register and the TDRE bit rises. If new data is written, it remains in SPI\_TDR until a transfer occurs, i.e. NSS falls and there is a valid clock on the SPCK pin. When the transfer occurs, the last data written in SPI\_TDR is transferred in the Shift Register and the TDRE bit rises. This enables frequent updates of critical variables with single transfers.

Then, a new data is loaded in the Shift Register from the Transmit Data Register. In case no character is ready to be transmitted, i.e. no character has been written in SPI\_TDR since the last load from SPI\_TDR to the Shift Register, the Shift Register is not modified and the last received character is retransmitted.

Figure 28-9 shows a block diagram of the SPI when operating in Slave Mode.

**Figure 28-9.** Slave Mode Functional Block Diagram



## 28.7 Serial Peripheral Interface (SPI) User Interface User Interface

**Table 28-3.** Register Mapping

| Offset          | Register                   | Name     | Access     | Reset      |
|-----------------|----------------------------|----------|------------|------------|
| 0x00            | Control Register           | SPI_CR   | Write-only | ---        |
| 0x04            | Mode Register              | SPI_MR   | Read-write | 0x0        |
| 0x08            | Receive Data Register      | SPI_RDR  | Read-only  | 0x0        |
| 0x0C            | Transmit Data Register     | SPI_TDR  | Write-only | ---        |
| 0x10            | Status Register            | SPI_SR   | Read-only  | 0x000000F0 |
| 0x14            | Interrupt Enable Register  | SPI_IER  | Write-only | ---        |
| 0x18            | Interrupt Disable Register | SPI_IDR  | Write-only | ---        |
| 0x1C            | Interrupt Mask Register    | SPI_IMR  | Read-only  | 0x0        |
| 0x20 - 0x2C     | Reserved                   |          |            |            |
| 0x30            | Chip Select Register 0     | SPI_CSR0 | Read-write | 0x0        |
| 0x34            | Chip Select Register 1     | SPI_CSR1 | Read-write | 0x0        |
| 0x38            | Chip Select Register 2     | SPI_CSR2 | Read-write | 0x0        |
| 0x3C            | Chip Select Register 3     | SPI_CSR3 | Read-write | 0x0        |
| 0x004C - 0x00F8 | Reserved                   | –        | –          | –          |
| 0x004C - 0x00FC | Reserved                   | –        | –          | –          |
| 0x100 - 0x124   | Reserved for the PDC       |          |            |            |

### 28.7.1 SPI Control Register

**Name:** SPI\_CR

**Access Type:** Write-only

|       |    |    |    |    |    |        |          |
|-------|----|----|----|----|----|--------|----------|
| 31    | 30 | 29 | 28 | 27 | 26 | 25     | 24       |
| –     | –  | –  | –  | –  | –  | –      | LASTXFER |
| 23    | 22 | 21 | 20 | 19 | 18 | 17     | 16       |
| –     | –  | –  | –  | –  | –  | –      | –        |
| 15    | 14 | 13 | 12 | 11 | 10 | 9      | 8        |
| –     | –  | –  | –  | –  | –  | –      | –        |
| 7     | 6  | 5  | 4  | 3  | 2  | 1      | 0        |
| SWRST | –  | –  | –  | –  | –  | SPIDIS | SPIEN    |

- **SPIEN: SPI Enable**

0 = No effect.

1 = Enables the SPI to transfer and receive data.

- **SPIDIS: SPI Disable**

0 = No effect.

1 = Disables the SPI.

As soon as SPIDIS is set, SPI finishes its transfer.

All pins are set in input mode and no data is received or transmitted.

If a transfer is in progress, the transfer is finished before the SPI is disabled.

If both SPIEN and SPIDIS are equal to one when the control register is written, the SPI is disabled.

- **SWRST: SPI Software Reset**

0 = No effect.

1 = Reset the SPI. A software-triggered hardware reset of the SPI interface is performed.

The SPI is in slave mode after software reset.

PDC channels are not affected by software reset.

- **LASTXFER: Last Transfer**

0 = No effect.

1 = The current NPCS will be deasserted after the character written in TD has been transferred. When CSAAT is set, this allows to close the communication with the current serial peripheral by raising the corresponding NPCS line as soon as TD transfer has completed.

## 28.7.2 SPI Mode Register

**Name:** SPI\_MR

**Access Type:** Read-write

|        |    |    |         |     |        |    |      |
|--------|----|----|---------|-----|--------|----|------|
| 31     | 30 | 29 | 28      | 27  | 26     | 25 | 24   |
| DLYBCS |    |    |         |     |        |    |      |
| 23     | 22 | 21 | 20      | 19  | 18     | 17 | 16   |
| –      | –  | –  | –       | PCS |        |    |      |
| 15     | 14 | 13 | 12      | 11  | 10     | 9  | 8    |
| –      | –  | –  | –       | –   | –      | –  | –    |
| 7      | 6  | 5  | 4       | 3   | 2      | 1  | 0    |
| LLB    | –  | –  | MODFDIS |     | PCSDEC | PS | MSTR |

- **MSTR: Master/Slave Mode**

0 = SPI is in Slave mode.

1 = SPI is in Master mode.

- **PS: Peripheral Select**

0 = Fixed Peripheral Select.

1 = Variable Peripheral Select.

- **PCSDEC: Chip Select Decode**

0 = The chip selects are directly connected to a peripheral device.

1 = The four chip select lines are connected to a 4- to 16-bit decoder.

When PCSDEC equals one, up to 15 Chip Select signals can be generated with the four lines using an external 4- to 16-bit decoder. The Chip Select Registers define the characteristics of the 15 chip selects according to the following rules:

SPI\_CSR0 defines peripheral chip select signals 0 to 3.

SPI\_CSR1 defines peripheral chip select signals 4 to 7.

SPI\_CSR2 defines peripheral chip select signals 8 to 11.

SPI\_CSR3 defines peripheral chip select signals 12 to 14.

- **MODFDIS: Mode Fault Detection**

0 = Mode fault detection is enabled.

1 = Mode fault detection is disabled.

- **LLB: Local Loopback Enable**

0 = Local loopback path disabled.

1 = Local loopback path enabled.

LLB controls the local loopback on the data serializer for testing in Master Mode only. (MISO is internally connected on MOSI.)

- **PCS: Peripheral Chip Select**

This field is only used if Fixed Peripheral Select is active (PS = 0).

If PCSDEC = 0:

|            |                                       |
|------------|---------------------------------------|
| PCS = xxx0 | NPCS[3:0] = 1110                      |
| PCS = xx01 | NPCS[3:0] = 1101                      |
| PCS = x011 | NPCS[3:0] = 1011                      |
| PCS = 0111 | NPCS[3:0] = 0111                      |
| PCS = 1111 | forbidden (no peripheral is selected) |

(x = don't care)

If PCSDEC = 1:

NPCS[3:0] output signals = PCS.

- **DLYBCS: Delay Between Chip Selects**

This field defines the delay from NPCS inactive to the activation of another NPCS. The DLYBCS time guarantees non-overlapping chip selects and solves bus contentions in case of peripherals having long data float times.

If DLYBCS is less than or equal to six, six MCK periods will be inserted by default.

Otherwise, the following equation determines the delay:

$$\text{Delay Between Chip Selects} = \frac{DLYBCS}{MCK}$$

## 28.7.3 SPI Receive Data Register

**Name:** SPI\_RDR

**Access Type:** Read-only

|    |    |    |    |     |    |    |    |
|----|----|----|----|-----|----|----|----|
| 31 | 30 | 29 | 28 | 27  | 26 | 25 | 24 |
| –  | –  | –  | –  | –   | –  | –  | –  |
| 23 | 22 | 21 | 20 | 19  | 18 | 17 | 16 |
| –  | –  | –  | –  | PCS |    |    |    |
| 15 | 14 | 13 | 12 | 11  | 10 | 9  | 8  |
| RD |    |    |    |     |    |    |    |
| 7  | 6  | 5  | 4  | 3   | 2  | 1  | 0  |
| RD |    |    |    |     |    |    |    |

- **RD: Receive Data**

Data received by the SPI Interface is stored in this register right-justified. Unused bits read zero.

- **PCS: Peripheral Chip Select**

In Master Mode only, these bits indicate the value on the NPCS pins at the end of a transfer. Otherwise, these bits read zero.

## 28.7.4 SPI Transmit Data Register

**Name:** SPI\_TDR

**Access Type:** Write-only

|    |    |    |    |     |    |    |          |
|----|----|----|----|-----|----|----|----------|
| 31 | 30 | 29 | 28 | 27  | 26 | 25 | 24       |
| –  | –  | –  | –  | –   | –  | –  | LASTXFER |
| 23 | 22 | 21 | 20 | 19  | 18 | 17 | 16       |
| –  | –  | –  | –  | PCS |    |    |          |
| 15 | 14 | 13 | 12 | 11  | 10 | 9  | 8        |
| TD |    |    |    |     |    |    |          |
| 7  | 6  | 5  | 4  | 3   | 2  | 1  | 0        |
| TD |    |    |    |     |    |    |          |

- **TD: Transmit Data**

Data to be transmitted by the SPI Interface is stored in this register. Information to be transmitted must be written to the transmit data register in a right-justified format.

PCS: Peripheral Chip Select

This field is only used if Variable Peripheral Select is active (PS = 1).

If PCSDEC = 0:

PCS = xxx0    NPCS[3:0] = 1110  
 PCS = xx01    NPCS[3:0] = 1101  
 PCS = x011    NPCS[3:0] = 1011  
 PCS = 0111    NPCS[3:0] = 0111  
 PCS = 1111    forbidden (no peripheral is selected)  
 (x = don't care)

If PCSDEC = 1:

NPCS[3:0] output signals = PCS

- **LASTXFER: Last Transfer**

0 = No effect.

1 = The current NPCS will be deasserted after the character written in TD has been transferred. When CSAAT is set, this allows to close the communication with the current serial peripheral by raising the corresponding NPCS line as soon as TD transfer has completed.

This field is only used if Variable Peripheral Select is active (PS = 1).



## 28.7.5 SPI Status Register

**Name:** SPI\_SR

**Access Type:** Read-only

|        |        |       |       |       |      |         |        |
|--------|--------|-------|-------|-------|------|---------|--------|
| 31     | 30     | 29    | 28    | 27    | 26   | 25      | 24     |
| –      | –      | –     | –     | –     | –    | –       | –      |
| 23     | 22     | 21    | 20    | 19    | 18   | 17      | 16     |
| –      | –      | –     | –     | –     | –    | –       | SPIENS |
| 15     | 14     | 13    | 12    | 11    | 10   | 9       | 8      |
| –      | –      | –     | –     | –     | –    | TXEMPTY | NSSR   |
| 7      | 6      | 5     | 4     | 3     | 2    | 1       | 0      |
| TXBUFE | RXBUFF | ENDTX | ENDRX | OVRES | MODF | TDRE    | RDRF   |

- **RDRF: Receive Data Register Full**

0 = No data has been received since the last read of SPI\_RDR

1 = Data has been received and the received data has been transferred from the serializer to SPI\_RDR since the last read of SPI\_RDR.

- **TDRE: Transmit Data Register Empty**

0 = Data has been written to SPI\_TDR and not yet transferred to the serializer.

1 = The last data written in the Transmit Data Register has been transferred to the serializer.

TDRE equals zero when the SPI is disabled or at reset. The SPI enable command sets this bit to one.

- **MODF: Mode Fault Error**

0 = No Mode Fault has been detected since the last read of SPI\_SR.

1 = A Mode Fault occurred since the last read of the SPI\_SR.

- **OVRES: Overrun Error Status**

0 = No overrun has been detected since the last read of SPI\_SR.

1 = An overrun has occurred since the last read of SPI\_SR.

An overrun occurs when SPI\_RDR is loaded at least twice from the serializer since the last read of the SPI\_RDR.

- **ENDRX: End of RX buffer**

0 = The Receive Counter Register has not reached 0 since the last write in SPI\_RCR<sup>(1)</sup> or SPI\_RNCR<sup>(1)</sup>.

1 = The Receive Counter Register has reached 0 since the last write in SPI\_RCR<sup>(1)</sup> or SPI\_RNCR<sup>(1)</sup>.

- **ENDTX: End of TX buffer**

0 = The Transmit Counter Register has not reached 0 since the last write in SPI\_TCR<sup>(1)</sup> or SPI\_TNCR<sup>(1)</sup>.

1 = The Transmit Counter Register has reached 0 since the last write in SPI\_TCR<sup>(1)</sup> or SPI\_TNCR<sup>(1)</sup>.

- **RXBUFF: RX Buffer Full**

0 = SPI\_RCR<sup>(1)</sup> or SPI\_RNCR<sup>(1)</sup> has a value other than 0.

1 = Both SPI\_RCR<sup>(1)</sup> and SPI\_RNCR<sup>(1)</sup> have a value of 0.

- **TXBUFE: TX Buffer Empty**

0 = SPI\_TCR<sup>(1)</sup> or SPI\_TNCR<sup>(1)</sup> has a value other than 0.

1 = Both SPI\_TCR<sup>(1)</sup> and SPI\_TNCR<sup>(1)</sup> have a value of 0.

- **NSSR: NSS Rising**

0 = No rising edge detected on NSS pin since last read.

1 = A rising edge occurred on NSS pin since last read.

- **TXEMPTY: Transmission Registers Empty**

0 = As soon as data is written in SPI\_TDR.

1 = SPI\_TDR and internal shifter are empty. If a transfer delay has been defined, TXEMPTY is set after the completion of such delay.

- **SPIENS: SPI Enable Status**

0 = SPI is disabled.

1 = SPI is enabled.

Note: 1. SPI\_RCR, SPI\_RNCR, SPI\_TCR, SPI\_TNCR are physically located in the PDC.

## 28.7.6 SPI Interrupt Enable Register

Name: SPI\_IER

Access Type: Write-only

|        |        |       |       |       |      |         |      |
|--------|--------|-------|-------|-------|------|---------|------|
| 31     | 30     | 29    | 28    | 27    | 26   | 25      | 24   |
| –      | –      | –     | –     | –     | –    | –       | –    |
| 23     | 22     | 21    | 20    | 19    | 18   | 17      | 16   |
| –      | –      | –     | –     | –     | –    | –       | –    |
| 15     | 14     | 13    | 12    | 11    | 10   | 9       | 8    |
| –      | –      | –     | –     | –     | –    | TXEMPTY | NSSR |
| 7      | 6      | 5     | 4     | 3     | 2    | 1       | 0    |
| TXBUFE | RXBUFF | ENDTX | ENDRX | OVRES | MODF | TDRE    | RDRF |

- **RDRF: Receive Data Register Full Interrupt Enable**
- **TDRE: SPI Transmit Data Register Empty Interrupt Enable**
- **MODF: Mode Fault Error Interrupt Enable**
- **OVRES: Overrun Error Interrupt Enable**
- **ENDRX: End of Receive Buffer Interrupt Enable**
- **ENDTX: End of Transmit Buffer Interrupt Enable**
- **RXBUFF: Receive Buffer Full Interrupt Enable**
- **TXBUFE: Transmit Buffer Empty Interrupt Enable**
- **TXEMPTY: Transmission Registers Empty Enable**
- **NSSR: NSS Rising Interrupt Enable**

0 = No effect.

1 = Enables the corresponding interrupt.

### 28.7.7 SPI Interrupt Disable Register

**Name:** SPI\_IDR

**Access Type:** Write-only

|        |        |       |       |       |      |         |      |
|--------|--------|-------|-------|-------|------|---------|------|
| 31     | 30     | 29    | 28    | 27    | 26   | 25      | 24   |
| –      | –      | –     | –     | –     | –    | –       | –    |
| 23     | 22     | 21    | 20    | 19    | 18   | 17      | 16   |
| –      | –      | –     | –     | –     | –    | –       | –    |
| 15     | 14     | 13    | 12    | 11    | 10   | 9       | 8    |
| –      | –      | –     | –     | –     | –    | TXEMPTY | NSSR |
| 7      | 6      | 5     | 4     | 3     | 2    | 1       | 0    |
| TXBUFE | RXBUFF | ENDTX | ENDRX | OVRES | MODF | TDRE    | RDRF |

- **RDRF: Receive Data Register Full Interrupt Disable**
- **TDRE: SPI Transmit Data Register Empty Interrupt Disable**
- **MODF: Mode Fault Error Interrupt Disable**
- **OVRES: Overrun Error Interrupt Disable**
- **ENDRX: End of Receive Buffer Interrupt Disable**
- **ENDTX: End of Transmit Buffer Interrupt Disable**
- **RXBUFF: Receive Buffer Full Interrupt Disable**
- **TXBUFE: Transmit Buffer Empty Interrupt Disable**
- **TXEMPTY: Transmission Registers Empty Disable**
- **NSSR: NSS Rising Interrupt Disable**

0 = No effect.

1 = Disables the corresponding interrupt.

## 28.7.8 SPI Interrupt Mask Register

**Name:** SPI\_IMR

**Access Type:** Read-only

|        |        |       |       |       |      |         |      |
|--------|--------|-------|-------|-------|------|---------|------|
| 31     | 30     | 29    | 28    | 27    | 26   | 25      | 24   |
| –      | –      | –     | –     | –     | –    | –       | –    |
| 23     | 22     | 21    | 20    | 19    | 18   | 17      | 16   |
| –      | –      | –     | –     | –     | –    | –       | –    |
| 15     | 14     | 13    | 12    | 11    | 10   | 9       | 8    |
| –      | –      | –     | –     | –     | –    | TXEMPTY | NSSR |
| 7      | 6      | 5     | 4     | 3     | 2    | 1       | 0    |
| TXBUFE | RXBUFF | ENDTX | ENDRX | OVRES | MODF | TDRE    | RDRF |

- **RDRF: Receive Data Register Full Interrupt Mask**
- **TDRE: SPI Transmit Data Register Empty Interrupt Mask**
- **MODF: Mode Fault Error Interrupt Mask**
- **OVRES: Overrun Error Interrupt Mask**
- **ENDRX: End of Receive Buffer Interrupt Mask**
- **ENDTX: End of Transmit Buffer Interrupt Mask**
- **RXBUFF: Receive Buffer Full Interrupt Mask**
- **TXBUFE: Transmit Buffer Empty Interrupt Mask**
- **TXEMPTY: Transmission Registers Empty Mask**
- **NSSR: NSS Rising Interrupt Mask**

0 = The corresponding interrupt is not enabled.

1 = The corresponding interrupt is enabled.



### 28.7.9 SPI Chip Select Register

Name: SPI\_CSR0... SPI\_CSR3

Access Type: Read-write

|        |    |    |    |       |    |       |      |
|--------|----|----|----|-------|----|-------|------|
| 31     | 30 | 29 | 28 | 27    | 26 | 25    | 24   |
| DLYBCT |    |    |    |       |    |       |      |
| 23     | 22 | 21 | 20 | 19    | 18 | 17    | 16   |
| DLYBS  |    |    |    |       |    |       |      |
| 15     | 14 | 13 | 12 | 11    | 10 | 9     | 8    |
| SCBR   |    |    |    |       |    |       |      |
| 7      | 6  | 5  | 4  | 3     | 2  | 1     | 0    |
| BITS   |    |    |    | CSAAT | -  | NCPHA | CPOL |

• **CPOL: Clock Polarity**

0 = The inactive state value of SPCK is logic level zero.

1 = The inactive state value of SPCK is logic level one.

CPOL is used to determine the inactive state value of the serial clock (SPCK). It is used with NCPHA to produce the required clock/data relationship between master and slave devices.

• **NCPHA: Clock Phase**

0 = Data is changed on the leading edge of SPCK and captured on the following edge of SPCK.

1 = Data is captured on the leading edge of SPCK and changed on the following edge of SPCK.

NCPHA determines which edge of SPCK causes data to change and which edge causes data to be captured. NCPHA is used with CPOL to produce the required clock/data relationship between master and slave devices.

• **CSAAT: Chip Select Active After Transfer**

0 = The Peripheral Chip Select Line rises as soon as the last transfer is achieved.

1 = The Peripheral Chip Select does not rise after the last transfer is achieved. It remains active until a new transfer is requested on a different chip select.

• **BITS: Bits Per Transfer**

The BITS field determines the number of data bits transferred. Reserved values should not be used.

| BITS | Bits Per Transfer |
|------|-------------------|
| 0000 | 8                 |
| 0001 | 9                 |
| 0010 | 10                |
| 0011 | 11                |
| 0100 | 12                |
| 0101 | 13                |
| 0110 | 14                |
| 0111 | 15                |
| 1000 | 16                |

| BITS | Bits Per Transfer |
|------|-------------------|
| 1001 | Reserved          |
| 1010 | Reserved          |
| 1011 | Reserved          |
| 1100 | Reserved          |
| 1101 | Reserved          |
| 1110 | Reserved          |
| 1111 | Reserved          |

- **SCBR: Serial Clock Baud Rate**

In Master Mode, the SPI Interface uses a modulus counter to derive the SPCK baud rate from the Master Clock MCK. The Baud rate is selected by writing a value from 1 to 255 in the SCBR field. The following equations determine the SPCK baud rate:

$$\text{SPCK Baudrate} = \frac{MCK}{SCBR}$$

Programming the SCBR field at 0 is forbidden. Triggering a transfer while SCBR is at 0 can lead to unpredictable results. At reset, SCBR is 0 and the user has to program it at a valid value before performing the first transfer.

- **DLYBS: Delay Before SPCK**

This field defines the delay from NPCS valid to the first valid SPCK transition.

When DLYBS equals zero, the NPCS valid to SPCK transition is 1/2 the SPCK clock period.

Otherwise, the following equations determine the delay:

$$\text{Delay Before SPCK} = \frac{DLYBS}{MCK}$$

- **DLYBCT: Delay Between Consecutive Transfers**

This field defines the delay between two consecutive transfers with the same peripheral without removing the chip select. The delay is always inserted after each transfer and before removing the chip select if needed.

When DLYBCT equals zero, no delay between consecutive transfers is inserted and the clock keeps its duty cycle over the character transfers.

Otherwise, the following equation determines the delay:

$$\text{Delay Between Consecutive Transfers} = \frac{32 \times DLYBCT}{MCK}$$





## 29. Two-wire Interface (TWI) AT91SAM7S512/256/128/64/321/32

**NOTE:** This definition of the TWI does not pertain to AT91SAM7S16/161. For AT91SAM7S16/161, see [Section 30](#).

### 29.1 Overview

The Two-wire Interface (TWI) interconnects components on a unique two-wire bus, made up of one clock line and one data line with speeds of up to 400 Kbits per second, based on a byte-oriented transfer format. It can be used with any Atmel Two-wire Interface bus Serial EEPROM and I<sup>2</sup>C compatible device such as Real Time Clock (RTC), Dot Matrix/Graphic LCD Controllers and Temperature Sensor, to name but a few. The TWI is programmable as master transmitter or master receiver with sequential or single-byte access. A configurable baud rate generator permits the output data rate to be adapted to a wide range of core clock frequencies. Below, [Table 29-1](#) lists the compatibility level of the Atmel Two-wire Interface and a full I<sup>2</sup>C compatible device.

**Table 29-1.** Atmel TWI compatibility with i2C Standard

| I2C Standard                                  | Atmel TWI                          |
|---|------------------------------------|
| Standard Mode Speed (100 KHz)                 | Supported                          |
| Fast Mode Speed (400 KHz)                     | Supported                          |
| 7 or 10 bits Slave Addressing                 | Supported                          |
| START BYTE <sup>(1)</sup>                     | Not Supported                      |
| Repeated Start (Sr) Condition                 | Not Fully Supported <sup>(2)</sup> |
| ACK and NACK Management                       | Supported                          |
| Slope control and input filtering (Fast mode) | Not Supported                      |
| Clock stretching                              | Supported                          |

- Notes: 1. START + b000000001 + Ack + Sr  
 2. A repeated start condition is only supported in Master Receiver mode. See [Section 29.6.5 "Internal Address" on page 295](#)

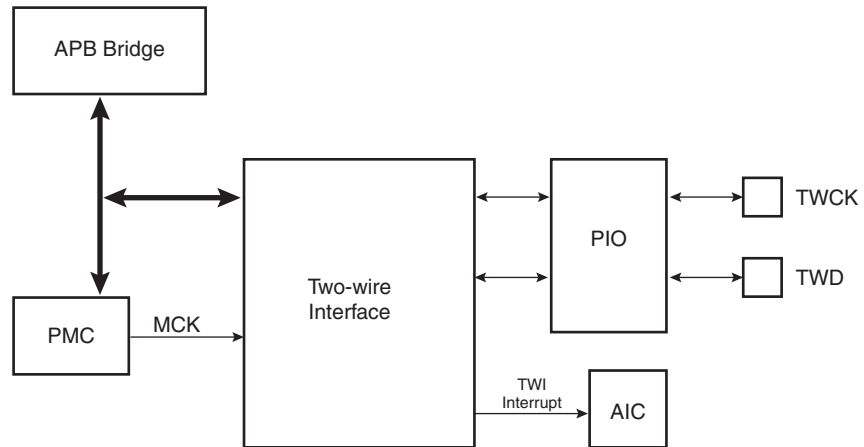
### 29.2 List of Abbreviations

**Table 29-2.** Abbreviations

| Abbreviation | Description        |
|--------------|--------------------|
| TWI          | Two-wire Interface |
| A            | Acknowledge        |
| N            | Not Acknowledge    |
| P            | Stop               |
| S            | Start              |
| Sr           | Repeated Start     |
| DADR         | Device Address     |
| IADR         | Internal Address   |
| R            | Read               |
| W            | Write              |

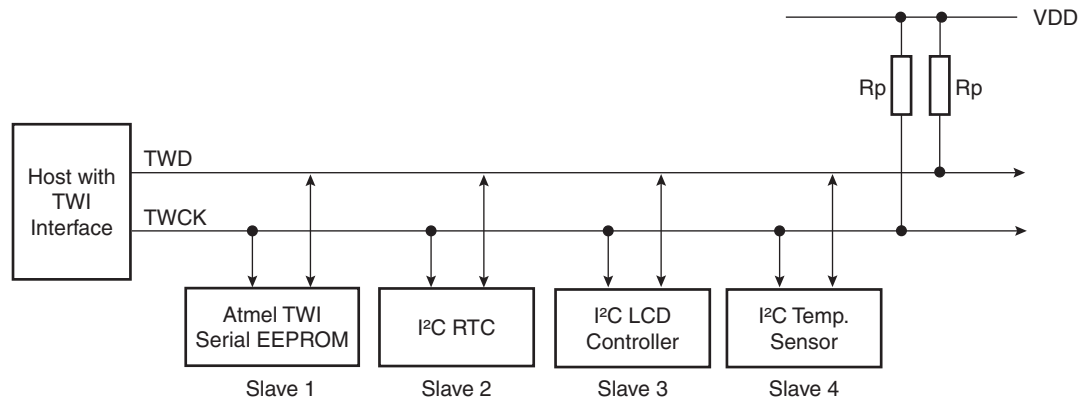
## 29.3 Block Diagram

Figure 29-1. Block Diagram



## 29.4 Application Block Diagram

Figure 29-2. Application Block Diagram



Rp: Pull up value as given by the I<sup>2</sup>C Standard

### 29.4.1 I/O Lines Description

Table 29-3. I/O Lines Description

| Pin Name | Pin Description       | Type         |
|----------|-----------------------|--------------|
| TWD      | Two-wire Serial Data  | Input/Output |
| TWCK     | Two-wire Serial Clock | Input/Output |

## 29.5 Product Dependencies

### 29.5.1 I/O Lines

Both TWD and TWCK are bidirectional lines, connected to a positive supply voltage via a current source or pull-up resistor (see [Figure 29-2 on page 290](#)). When the bus is free, both lines are

high. The output stages of devices connected to the bus must have an open-drain or open-collector to perform the wired-AND function.

TWD and TWCK pins may be multiplexed with PIO lines. To enable the TWI, the programmer must perform the following steps:

- Program the PIO controller to:
  - Dedicate TWD and TWCK as peripheral lines.
  - Define TWD and TWCK as open-drain.

## 29.5.2 Power Management

- Enable the peripheral clock.

The TWI interface may be clocked through the Power Management Controller (PMC), thus the programmer must first configure the PMC to enable the TWI clock.

## 29.5.3 Interrupt

The TWI interface has an interrupt line connected to the Advanced Interrupt Controller (AIC). In order to handle interrupts, the AIC must be programmed before configuring the TWI.

## 29.6 Functional Description

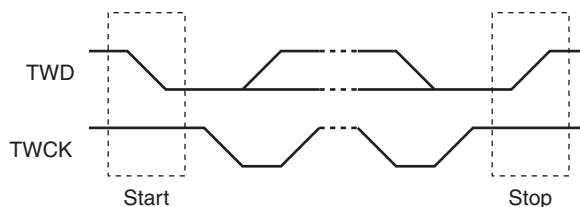
### 29.6.1 Transfer format

The data put on the TWD line must be 8 bits long. Data is transferred MSB first; each byte must be followed by an acknowledgement. The number of bytes per transfer is unlimited (see [Figure 29-4 on page 291](#)).

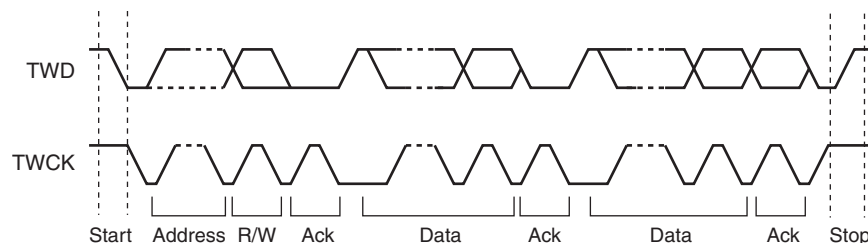
Each transfer begins with a START condition and terminates with a STOP condition (see [Figure 29-3 on page 291](#)).

- A high-to-low transition on the TWD line while TWCK is high defines the START condition.
- A low-to-high transition on the TWD line while TWCK is high defines a STOP condition.

**Figure 29-3.** START and STOP Conditions



**Figure 29-4.** Transfer Format



## 29.6.2 Modes of Operation

The TWI has two modes of operation:

- Master transmitter mode
- Master receiver mode

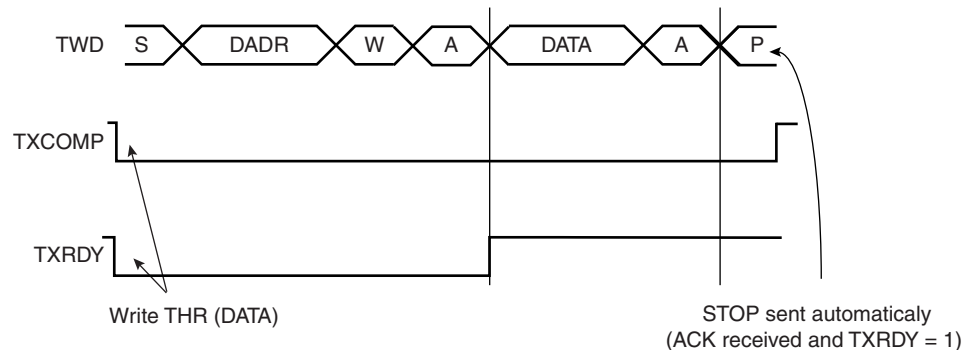
The TWI Control Register (TWI\_CR) allows configuration of the interface in Master Mode. In this mode, it generates the clock according to the value programmed in the Clock Waveform Generator Register (TWI\_CWGR). This register defines the TWCK signal completely, enabling the interface to be adapted to a wide range of clocks.

## 29.6.3 Master Transmitter Mode

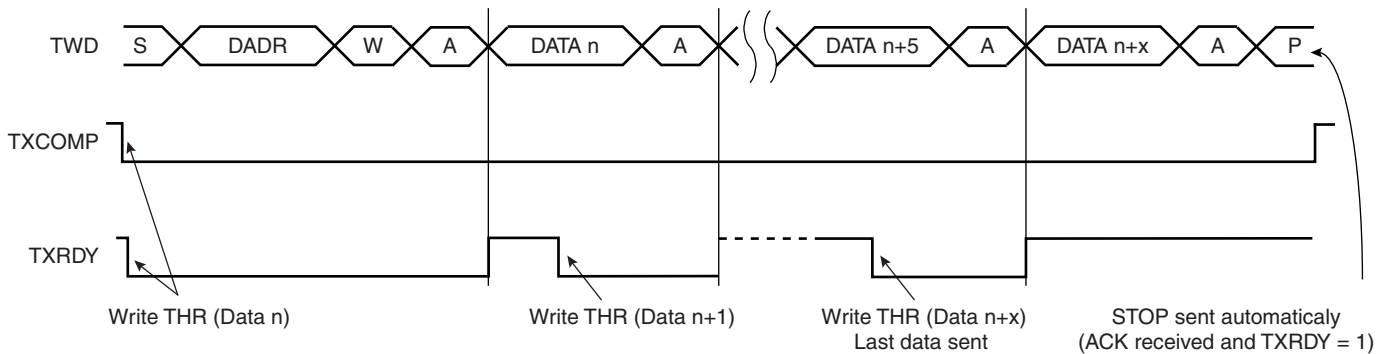
After the master initiates a Start condition when writing into the Transmit Holding Register, TWI\_THR, it sends a 7-bit slave address, configured in the Master Mode register (DADR in TWI\_MMR), to notify the slave device. The bit following the slave address indicates the transfer direction, 0 in this case (MREAD = 0 in TWI\_MMR).

The TWI transfers require the slave to acknowledge each received byte. During the acknowledge clock pulse (9th pulse), the master releases the data line (HIGH), enabling the slave to pull it down in order to generate the acknowledge. The master polls the data line during this clock pulse and sets the Not Acknowledge bit (**NACK**) in the status register if the slave does not acknowledge the byte. As with the other status bits, an interrupt can be generated if enabled in the interrupt enable register (TWI\_IER). If the slave acknowledges the byte, the data written in the TWI\_THR, is then shifted in the internal shifter and transferred. When an acknowledge is detected, the TXRDY bit is set until a new write in the TWI\_THR. When no more data is written into the TWI\_THR, the master generates a stop condition to end the transfer. The end of the complete transfer is marked by the TWI\_TXCOMP bit set to one. See [Figure 29-5](#), [Figure 29-6](#), and [Figure 29-7](#).

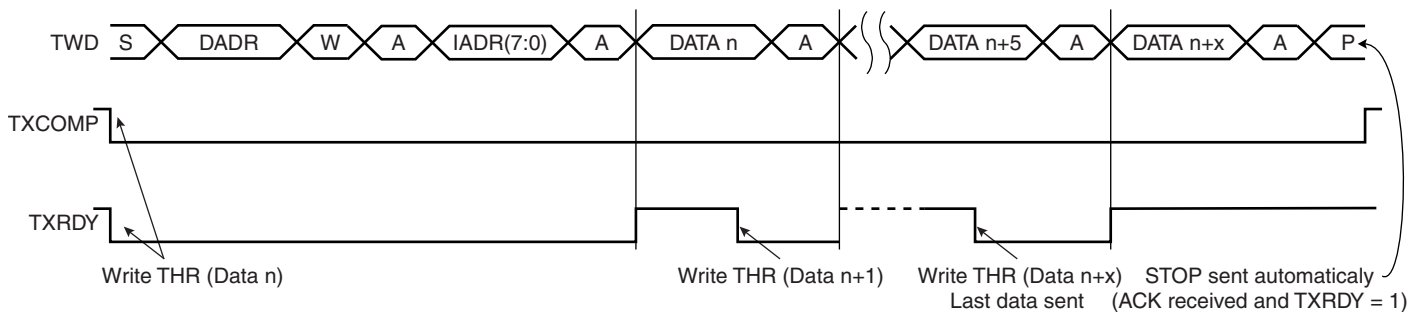
**Figure 29-5.** Master Write with One Data Byte



**Figure 29-6.** Master Write with Multiple Data Byte



**Figure 29-7.** Master Write with One Byte Internal Address and Multiple Data Bytes



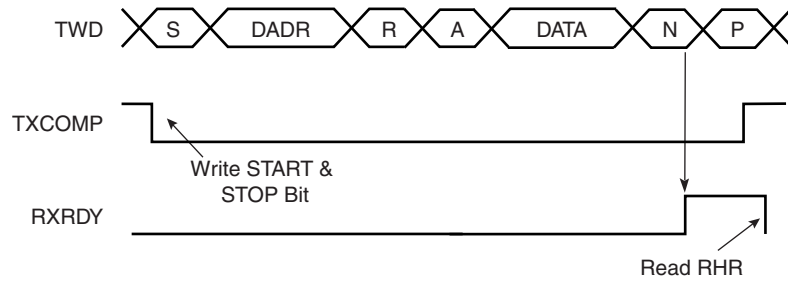
## 29.6.4 Master Receiver Mode

The read sequence begins by setting the START bit. After the start condition has been sent, the master sends a 7-bit slave address to notify the slave device. The bit following the slave address indicates the transfer direction, 1 in this case (MREAD = 1 in TWI\_MMR). During the acknowledge clock pulse (9th pulse), the master releases the data line (HIGH), enabling the slave to pull it down in order to generate the acknowledge. The master polls the data line during this clock pulse and sets the **NACK** bit in the status register if the slave does not acknowledge the byte.

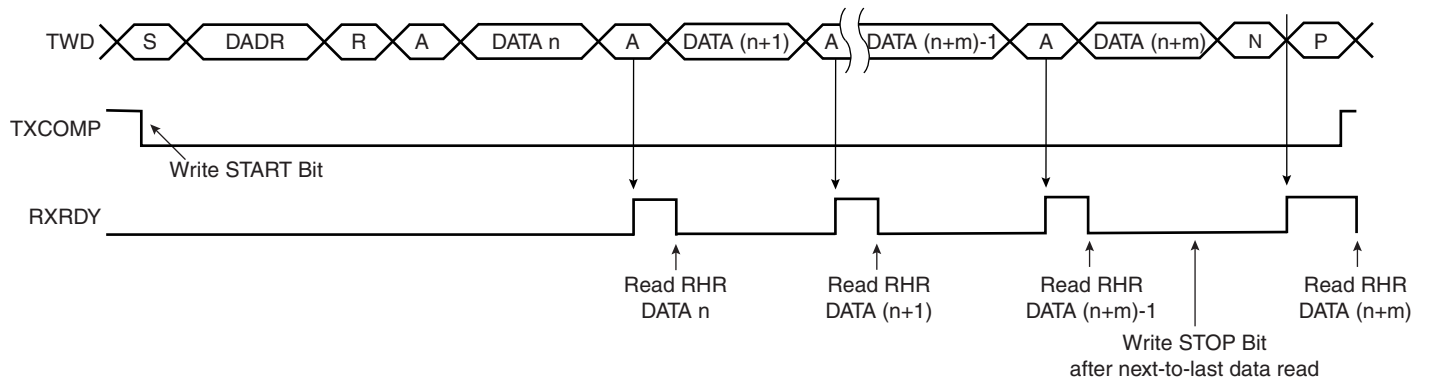
If an acknowledge is received, the master is then ready to receive data from the slave. After data has been received, the master sends an acknowledge condition to notify the slave that the data has been received except for the last data, after the stop condition. See Figure 29-9. When the RXRDY bit is set in the status register, a character has been received in the receive-holding register (TWI\_RHR). The RXRDY bit is reset when reading the TWI\_RHR.

When a single data byte read is performed, with or without internal address (**IADR**), the START and STOP bits must be set at the same time. See Figure 29-8. When a multiple data byte read is performed, with or without internal address (**IADR**), the STOP bit must be set after the next-to-last data received. See Figure 29-9. For Internal Address usage see Section 29.6.5.

**Figure 29-8.** Master Read with One Data Byte



**Figure 29-9.** Master Read with Multiple Data Bytes



## 29.6.5 Internal Address

The TWI interface can perform various transfer formats: Transfers with 7-bit slave address devices and 10-bit slave address devices.

### 29.6.5.1 7-bit Slave Addressing

When Addressing 7-bit slave devices, the internal address bytes are used to perform random address (read or write) accesses to reach one or more data bytes, within a memory page location in a serial memory, for example. When performing read operations with an internal address, the TWI performs a write operation to set the internal address into the slave device, and then switch to Master Receiver mode. Note that the second start condition (after sending the IADR) is sometimes called “repeated start” (Sr) in I2C fully-compatible devices. See [Figure 29-10](#), [Figure 29-11](#) and [Figure 29-12](#).

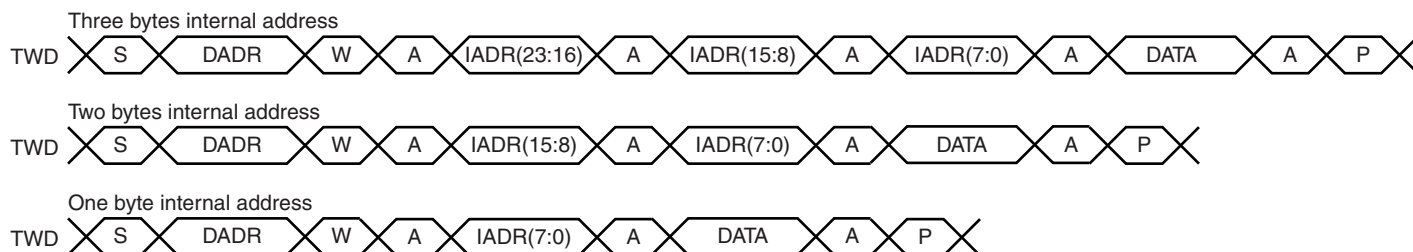
The three internal address bytes are configurable through the Master Mode register (TWI\_MMR).

If the slave device supports only a 7-bit address, i.e. no internal address, **IADRSZ** must be set to 0.

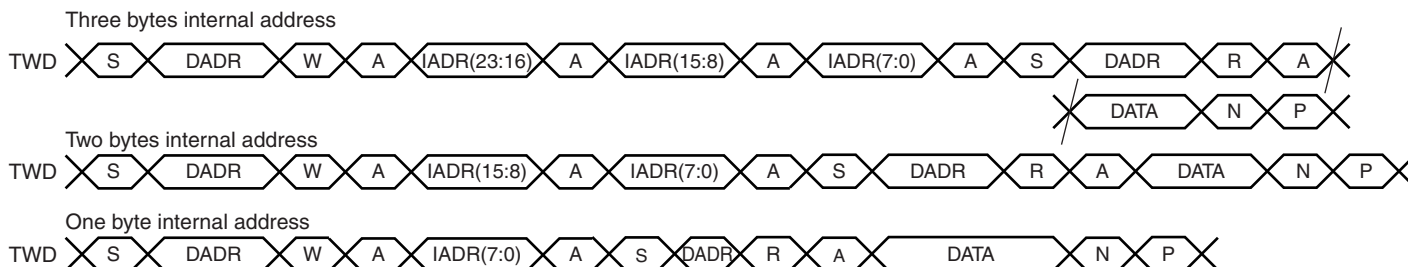
In the figures below the following abbreviations are used:

- S Start
- P Stop
- W Write
- R Read
- A Acknowledge
- N Not Acknowledge
- DADR Device Address
- IADR Internal Address

**Figure 29-10. Master Write with One, Two or Three Bytes Internal Address and One Data Byte**



**Figure 29-11. Master Read with One, Two or Three Bytes Internal Address and One Data Byte**



### 29.6.5.2 10-bit Slave Addressing

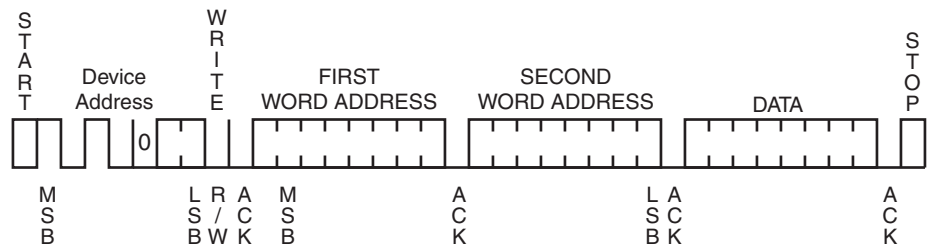
For a slave address higher than 7 bits, the user must configure the address size (**IADRSZ**) and set the other slave address bits in the internal address register (TWI\_IADR). The two remaining Internal address bytes, IADR[15:8] and IADR[23:16] can be used the same as in 7-bit Slave Addressing.

**Example:** Address a 10-bit device (10-bit device address is b1 b2 b3 b4 b5 b6 b7 b8 b9 b10)

1. Program IADRSZ = 1,
2. Program DADR with 1 1 1 1 0 b1 b2 (b1 is the MSB of the 10-bit address, b2, etc.)
3. Program TWI\_IADR with b3 b4 b5 b6 b7 b8 b9 b10 (b10 is the LSB of the 10-bit address)

Figure 29-12 below shows a byte write to an Atmel AT24LC512 EEPROM. This demonstrates the use of internal addresses to access the device.

**Figure 29-12.** Internal Address Usage

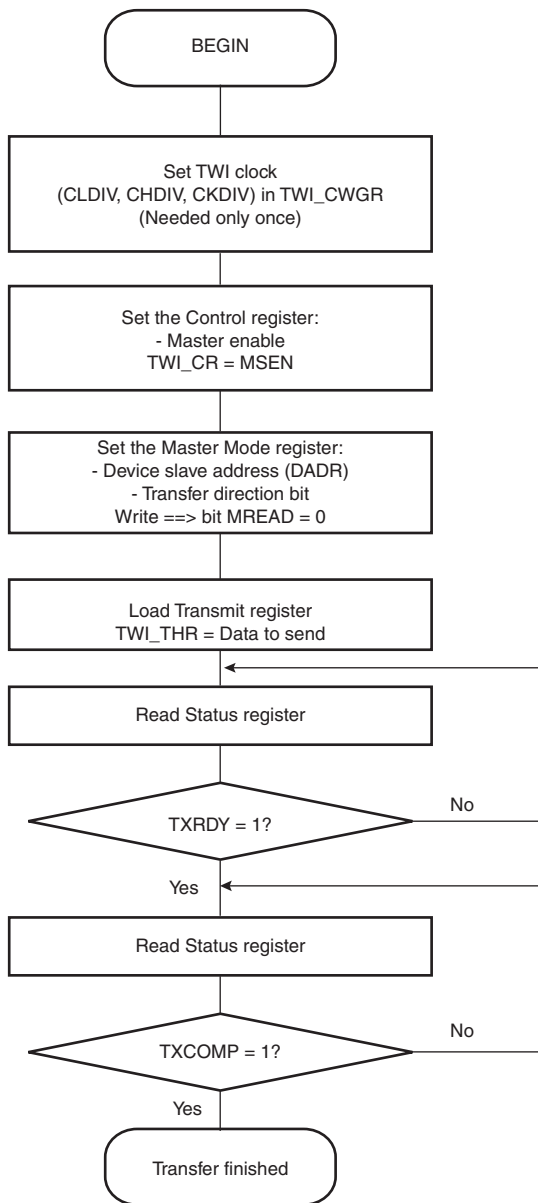




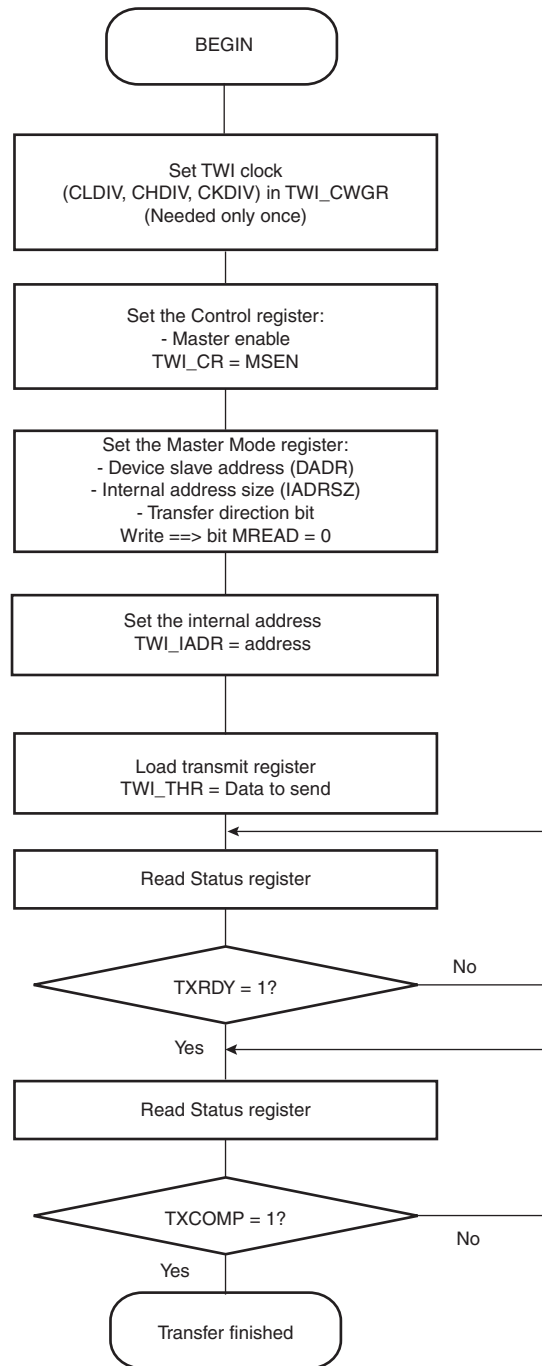
## 29.6.6 Read/Write Flowcharts

The following flowcharts shown in [Figure 29-13](#), [Figure 29-14 on page 298](#), [Figure 29-15 on page 299](#), [Figure 29-16 on page 300](#), [Figure 29-17 on page 301](#) and [Figure 29-18 on page 302](#) give examples for read and write operations. A polling or interrupt method can be used to check the status bits. The interrupt method requires that the interrupt enable register (TWI\_IER) be configured first.

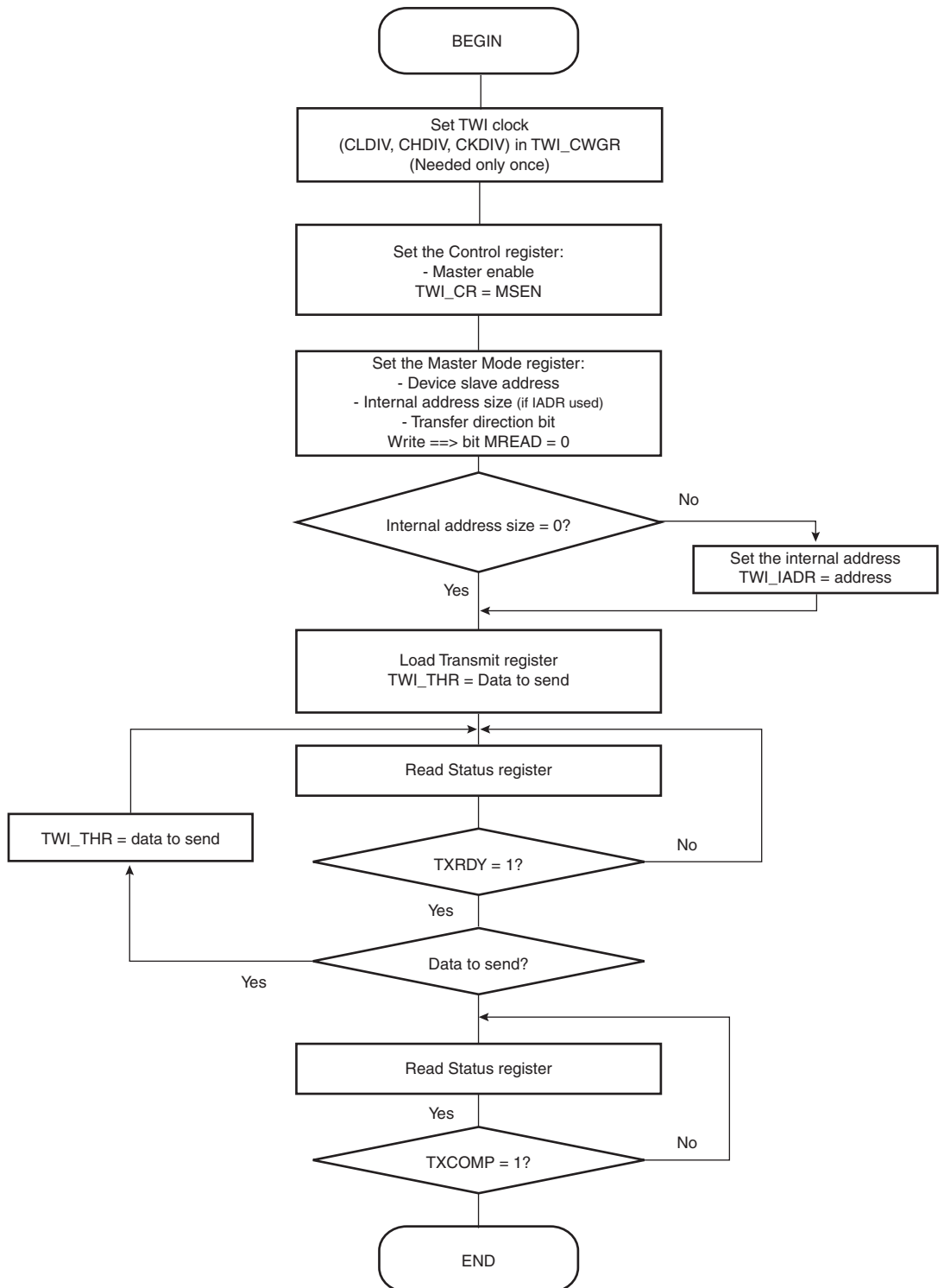
**Figure 29-13.** TWI Write Operation with Single Data Byte without Internal Address



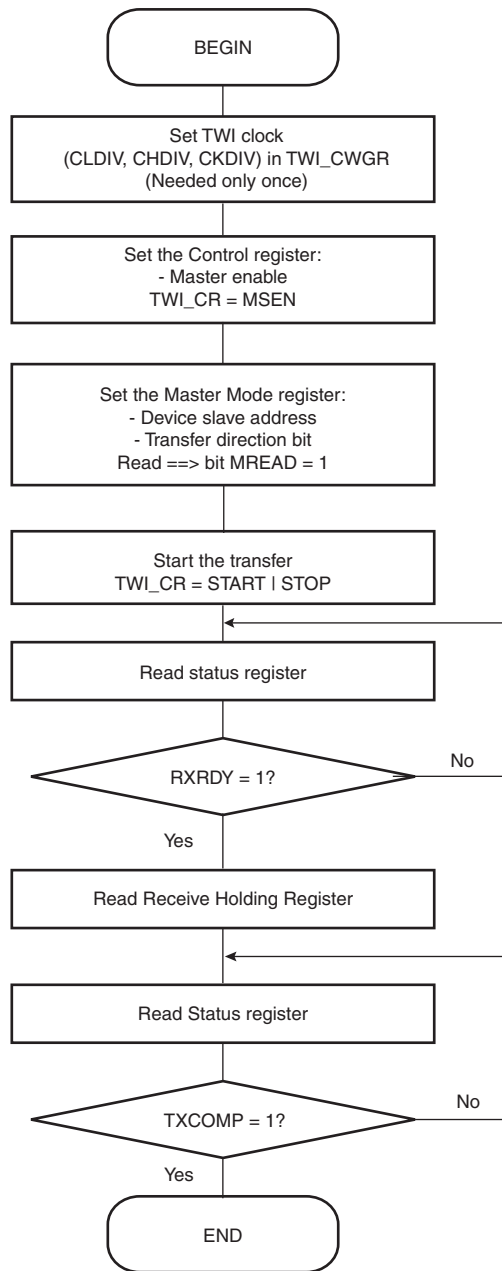
**Figure 29-14. TWI Write Operation with Single Data Byte and Internal Address**



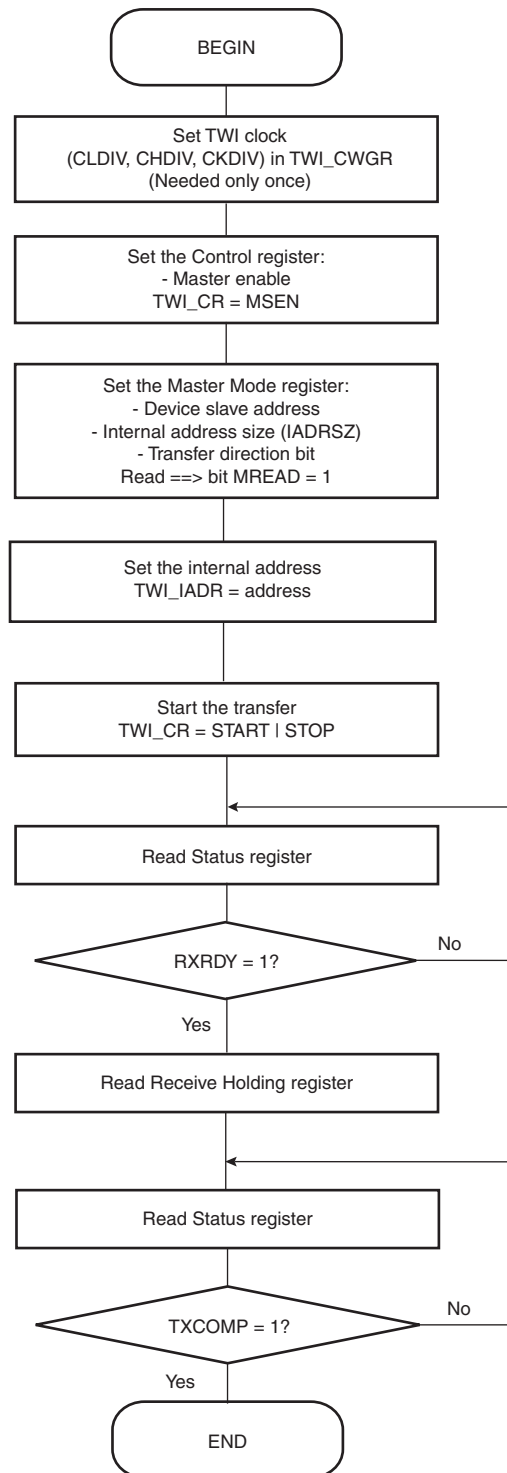
**Figure 29-15.** TWI Write Operation with Multiple Data Bytes with or without Internal Address



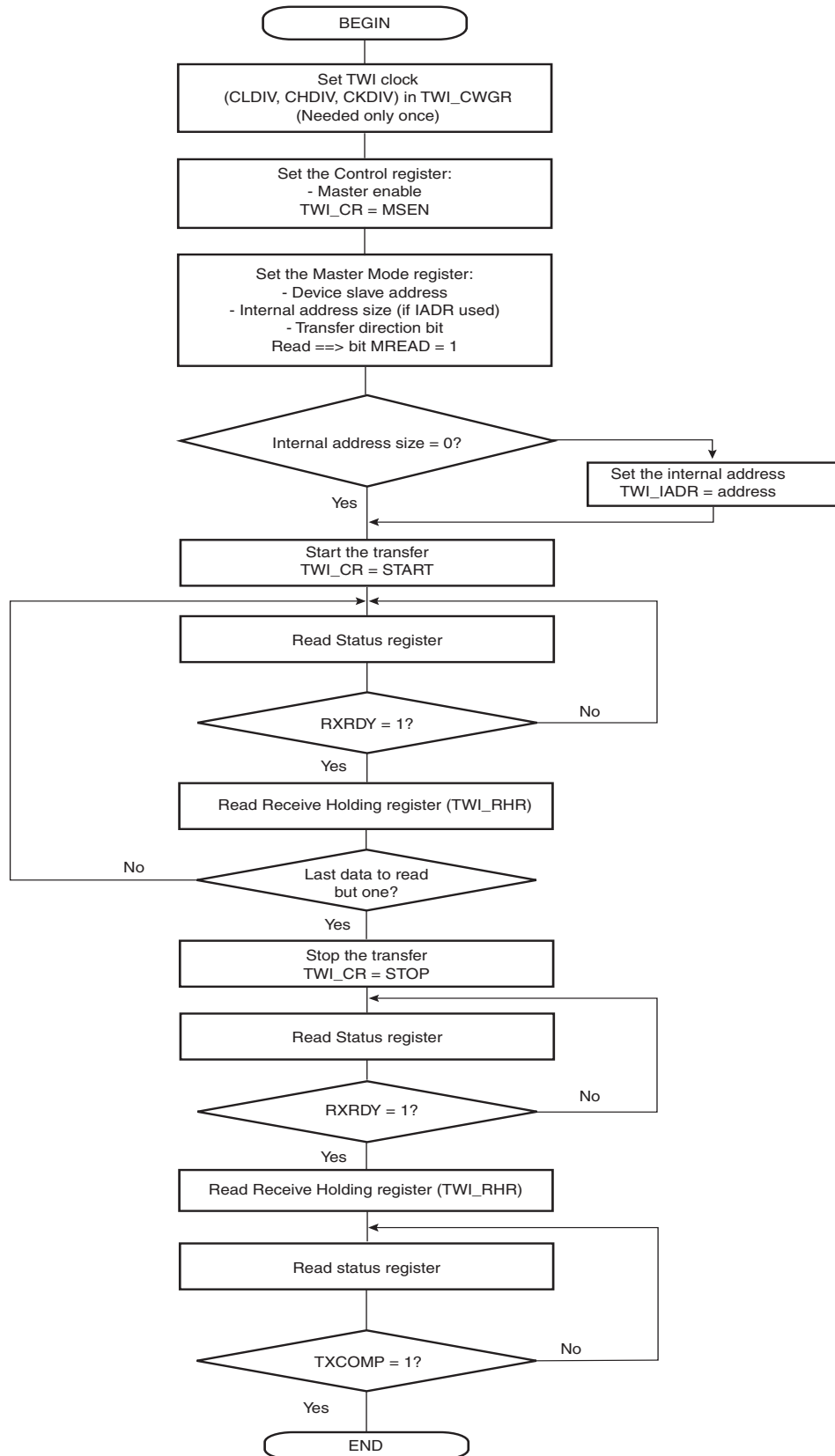
**Figure 29-16.** TWI Read Operation with Single Data Byte without Internal Address



**Figure 29-17.** TWI Read Operation with Single Data Byte and Internal Address



**Figure 29-18. TWI Read Operation with Multiple Data Bytes with or without Internal Address**



## 29.7 Two-wire Interface (TWI) User Interface

**Table 29-4.** Register Mapping

| Offset          | Register                          | Name     | Access     | Reset  |
|-----------------|-----------------------------------|----------|------------|--------|
| 0x0000          | Control Register                  | TWI_CR   | Write-only | N/A    |
| 0x0004          | Master Mode Register              | TWI_MMR  | Read-write | 0x0000 |
| 0x0008          | Reserved                          | -        | -          | -      |
| 0x000C          | Internal Address Register         | TWI_IADR | Read-write | 0x0000 |
| 0x0010          | Clock Waveform Generator Register | TWI_CWGR | Read-write | 0x0000 |
| 0x0020          | Status Register                   | TWI_SR   | Read-only  | 0x0008 |
| 0x0024          | Interrupt Enable Register         | TWI_IER  | Write-only | N/A    |
| 0x0028          | Interrupt Disable Register        | TWI_IDR  | Write-only | N/A    |
| 0x002C          | Interrupt Mask Register           | TWI_IMR  | Read-only  | 0x0000 |
| 0x0030          | Receive Holding Register          | TWI_RHR  | Read-only  | 0x0000 |
| 0x0034          | Transmit Holding Register         | TWI_THR  | Read-write | 0x0000 |
| 0x0038 - 0x00FC | Reserved                          | -        | -          | -      |

### 29.7.1 TWI Control Register

**Register Name:** TWI\_CR

**Access Type:** Write-only

|       |    |    |    |       |      |      |       |
|-------|----|----|----|-------|------|------|-------|
| 31    | 30 | 29 | 28 | 27    | 26   | 25   | 24    |
| –     | –  | –  | –  | –     | –    | –    | –     |
| 23    | 22 | 21 | 20 | 19    | 18   | 17   | 16    |
| –     | –  | –  | –  | –     | –    | –    | –     |
| 15    | 14 | 13 | 12 | 11    | 10   | 9    | 8     |
| –     | –  | –  | –  | –     | –    | –    | –     |
| 7     | 6  | 5  | 4  | 3     | 2    | 1    | 0     |
| SWRST | –  | –  | –  | MSDIS | MSEN | STOP | START |

- **START: Send a START Condition**

0 = No effect.

1 = A frame beginning with a START bit is transmitted according to the features defined in the mode register.

This action is necessary when the TWI peripheral wants to read data from a slave. When configured in Master Mode with a write operation, a frame is sent as soon as the user writes a character in the Transmit Holding Register (TWI\_THR).

- **STOP: Send a STOP Condition**

0 = No effect.

1 = STOP Condition is sent just after completing the current byte transmission in master read mode.

- In single data byte master read, the START and STOP must both be set.
- In multiple data bytes master read, the STOP must be set after the last data received but one.
- In master read mode, if a NACK bit is received, the STOP is automatically performed.
- In multiple data write operation, when both THR and shift register are empty, a STOP condition is automatically sent.

- **MSEN: TWI Master Transfer Enabled**

0 = No effect.

1 = If MSDIS = 0, the master data transfer is enabled.

- **MSDIS: TWI Master Transfer Disabled**

0 = No effect.

1 = The master data transfer is disabled, all pending data is transmitted. The shifter and holding characters (if they contain data) are transmitted in case of write operation. In read operation, the character being transferred must be completely received before disabling.

- **SWRST: Software Reset**

0 = No effect.

1 = Equivalent to a system reset.



## 29.7.2 TWI Master Mode Register

Register Name: TWI\_MMR

Address Type: Read-write

|    |      |    |       |    |    |        |    |
|----|------|----|-------|----|----|--------|----|
| 31 | 30   | 29 | 28    | 27 | 26 | 25     | 24 |
| –  | –    | –  | –     | –  | –  | –      | –  |
| 23 | 22   | 21 | 20    | 19 | 18 | 17     | 16 |
| –  | DADR |    |       |    |    |        |    |
| 15 | 14   | 13 | 12    | 11 | 10 | 9      | 8  |
| –  | –    | –  | MREAD | –  | –  | IADRSZ |    |
| 7  | 6    | 5  | 4     | 3  | 2  | 1      | 0  |
| –  | –    | –  | –     | –  | –  | –      | –  |

- **IADRSZ: Internal Device Address Size**

Table 29-5.

| IADRSZ[9:8] |   |  |
|-------------|---|--|
| 0           | 0 | No internal device address (Byte command protocol) |
| 0           | 1 | One-byte internal device address                   |
| 1           | 0 | Two-byte internal device address                   |
| 1           | 1 | Three-byte internal device address                 |

- **MREAD: Master Read Direction**

0 = Master write direction.

1 = Master read direction.

- **DADR: Device Address**

The device address is used to access slave devices in read or write mode.



### 29.7.3 TWI Internal Address Register

Register Name: TWI\_IADR

Access Type: Read-write

|      |    |    |    |    |    |    |    |
|------|----|----|----|----|----|----|----|
| 31   | 30 | 29 | 28 | 27 | 26 | 25 | 24 |
| –    | –  | –  | –  | –  | –  | –  | –  |
| 23   | 22 | 21 | 20 | 19 | 18 | 17 | 16 |
| IADR |    |    |    |    |    |    |    |
| 15   | 14 | 13 | 12 | 11 | 10 | 9  | 8  |
| IADR |    |    |    |    |    |    |    |
| 7    | 6  | 5  | 4  | 3  | 2  | 1  | 0  |
| IADR |    |    |    |    |    |    |    |

- **IADR: Internal Address**

0, 1, 2 or 3 bytes depending on IADRSZ.

- Low significant byte address in 10-bit mode addresses.



## 29.7.4 TWI Clock Waveform Generator Register

**Register Name:** TWI\_CWGR

**Access Type:** Read-write

|       |    |    |    |    |       |    |    |
|-------|----|----|----|----|-------|----|----|
| 31    | 30 | 29 | 28 | 27 | 26    | 25 | 24 |
| –     | –  | –  | –  | –  | –     | –  | –  |
| 23    | 22 | 21 | 20 | 19 | 18    | 17 | 16 |
| –     | –  | –  | –  | –  | CKDIV |    |    |
| 15    | 14 | 13 | 12 | 11 | 10    | 9  | 8  |
| CHDIV |    |    |    |    |       |    |    |
| 7     | 6  | 5  | 4  | 3  | 2     | 1  | 0  |
| CLDIV |    |    |    |    |       |    |    |

- **CLDIV: Clock Low Divider**

The SCL low period is defined as follows:

$$T_{low} = ((CLDIV \times 2^{CKDIV}) + 3) \times T_{MCK}$$

- **CHDIV: Clock High Divider**

The SCL high period is defined as follows:

$$T_{high} = ((CHDIV \times 2^{CKDIV}) + 3) \times T_{MCK}$$

- **CKDIV: Clock Divider**

The CKDIV is used to increase both SCL high and low periods.

### 29.7.5 TWI Status Register

**Register Name:** TWI\_SR

**Access Type:** Read-only

|    |    |    |    |    |       |       |        |
|----|----|----|----|----|-------|-------|--------|
| 31 | 30 | 29 | 28 | 27 | 26    | 25    | 24     |
| –  | –  | –  | –  | –  | –     | –     | –      |
| 23 | 22 | 21 | 20 | 19 | 18    | 17    | 16     |
| –  | –  | –  | –  | –  | –     | –     | –      |
| 15 | 14 | 13 | 12 | 11 | 10    | 9     | 8      |
| –  | –  | –  | –  | –  | –     | –     | NACK   |
| 7  | 6  | 5  | 4  | 3  | 2     | 1     | 0      |
| –  | –  | –  | –  | –  | TXRDY | RXRDY | TXCOMP |

- **TXCOMP: Transmission Completed**

0 = During the length of the current frame.

1 = When both holding and shift registers are empty and STOP condition has been sent, or when MSEN is set (enable TWI).

- **RXRDY: Receive Holding Register Ready**

0 = No character has been received since the last TWI\_RHR read operation.

1 = A byte has been received in the TWI\_RHR since the last read.

- **TXRDY: Transmit Holding Register Ready**

0 = The transmit holding register has not been transferred into shift register. Set to 0 when writing into TWI\_THR register.

1 = As soon as data byte is transferred from TWI\_THR to internal shifter or if a NACK error is detected, TXRDY is set at the same time as TXCOMP and NACK. TXRDY is also set when MSEN is set (enable TWI).

- **NACK: Not Acknowledged**

0 = Each data byte has been correctly received by the far-end side TWI slave component.

1 = A data byte has not been acknowledged by the slave component. Set at the same time as TXCOMP. Reset after read.

## 29.7.6 TWI Interrupt Enable Register

Register Name: TWI\_IER

Access Type: Write-only

|    |    |    |    |    |       |       |        |
|----|----|----|----|----|-------|-------|--------|
| 31 | 30 | 29 | 28 | 27 | 26    | 25    | 24     |
| –  | –  | –  | –  | –  | –     | –     | –      |
| 23 | 22 | 21 | 20 | 19 | 18    | 17    | 16     |
| –  | –  | –  | –  | –  | –     | –     | –      |
| 15 | 14 | 13 | 12 | 11 | 10    | 9     | 8      |
| –  | –  | –  | –  | –  | –     | –     | NACK   |
| 7  | 6  | 5  | 4  | 3  | 2     | 1     | 0      |
| –  | –  | –  | –  | –  | TXRDY | RXRDY | TXCOMP |

- **TXCOMP: Transmission Completed**
- **RXRDY: Receive Holding Register Ready**
- **TXRDY: Transmit Holding Register Ready**
- **NACK: Not Acknowledge**

0 = No effect.

1 = Enables the corresponding interrupt.

## 29.7.7 TWI Interrupt Disable Register

Register Name: TWI\_IDR

Access Type: Write-only

|    |    |    |    |    |       |       |        |
|----|----|----|----|----|-------|-------|--------|
| 31 | 30 | 29 | 28 | 27 | 26    | 25    | 24     |
| –  | –  | –  | –  | –  | –     | –     | –      |
| 23 | 22 | 21 | 20 | 19 | 18    | 17    | 16     |
| –  | –  | –  | –  | –  | –     | –     | –      |
| 15 | 14 | 13 | 12 | 11 | 10    | 9     | 8      |
| –  | –  | –  | –  | –  | –     | –     | NACK   |
| 7  | 6  | 5  | 4  | 3  | 2     | 1     | 0      |
| –  | –  | –  | –  | –  | TXRDY | RXRDY | TXCOMP |

- **TXCOMP: Transmission Completed**
- **RXRDY: Receive Holding Register Ready**
- **TXRDY: Transmit Holding Register Ready**
- **NACK: Not Acknowledge**

0 = No effect.

1 = Disables the corresponding interrupt.





### 29.7.8 TWI Interrupt Mask Register

Register Name: TWI\_IMR

Access Type: Read-only

|    |    |    |    |    |       |       |        |
|----|----|----|----|----|-------|-------|--------|
| 31 | 30 | 29 | 28 | 27 | 26    | 25    | 24     |
| –  | –  | –  | –  | –  | –     | –     | –      |
| 23 | 22 | 21 | 20 | 19 | 18    | 17    | 16     |
| –  | –  | –  | –  | –  | –     | –     | –      |
| 15 | 14 | 13 | 12 | 11 | 10    | 9     | 8      |
| –  | –  | –  | –  | –  | –     | –     | NACK   |
| 7  | 6  | 5  | 4  | 3  | 2     | 1     | 0      |
| –  | –  | –  | –  | –  | TXRDY | RXRDY | TXCOMP |

- **TXCOMP: Transmission Completed**
- **RXRDY: Receive Holding Register Ready**
- **TXRDY: Transmit Holding Register Ready**
- **NACK: Not Acknowledge**

0 = The corresponding interrupt is disabled.

1 = The corresponding interrupt is enabled.

### 29.7.9 TWI Receive Holding Register

Register Name: TWI\_RHR

Access Type: Read-only

|        |    |    |    |    |    |    |    |
|--------|----|----|----|----|----|----|----|
| 31     | 30 | 29 | 28 | 27 | 26 | 25 | 24 |
| –      | –  | –  | –  | –  | –  | –  | –  |
| 23     | 22 | 21 | 20 | 19 | 18 | 17 | 16 |
| –      | –  | –  | –  | –  | –  | –  | –  |
| 15     | 14 | 13 | 12 | 11 | 10 | 9  | 8  |
| –      | –  | –  | –  | –  | –  | –  | –  |
| 7      | 6  | 5  | 4  | 3  | 2  | 1  | 0  |
| RXDATA |    |    |    |    |    |    |    |

- **RXDATA: Receive Holding Data**

## 29.7.10 TWI Transmit Holding Register

Register Name: TWI\_THR

Access Type: Read-write

|        |    |    |    |    |    |    |    |
|--------|----|----|----|----|----|----|----|
| 31     | 30 | 29 | 28 | 27 | 26 | 25 | 24 |
| –      | –  | –  | –  | –  | –  | –  | –  |
| 23     | 22 | 21 | 20 | 19 | 18 | 17 | 16 |
| –      | –  | –  | –  | –  | –  | –  | –  |
| 15     | 14 | 13 | 12 | 11 | 10 | 9  | 8  |
| –      | –  | –  | –  | –  | –  | –  | –  |
| 7      | 6  | 5  | 4  | 3  | 2  | 1  | 0  |
| TXDATA |    |    |    |    |    |    |    |

- TXDATA: Transmit Holding Data





## 30. Two Wire Interface (TWI) AT91SAM7S161/16

**NOTE:** This definition of the TWI does not pertain to AT91SAM7S512/256/128/65/32/321. For AT91SAM7S512/256/128/65/32/321, see [Section 29](#).

### 30.1 Overview

The Atmel Two-wire Interface (TWI) interconnects components on a unique two-wire bus, made up of one clock line and one data line with speeds of up to 400 Kbits per second, based on a byte-oriented transfer format. It can be used with any Atmel Two-wire Interface bus Serial EEPROM and I<sup>2</sup>C compatible device such as Real Time Clock (RTC), Dot Matrix/Graphic LCD Controllers and Temperature Sensor, to name but a few. The TWI is programmable as a master or a slave with sequential or single-byte access. Multiple master capability is supported. Arbitration of the bus is performed internally and puts the TWI in slave mode automatically if the bus arbitration is lost.

A configurable baud rate generator permits the output data rate to be adapted to a wide range of core clock frequencies.

Below, [Table 30-1](#) lists the compatibility level of the Atmel Two-wire Interface in Master Mode and a full I2C compatible device.

**Table 30-1.** Atmel TWI compatibility with i2C Standard

| I2C Standard                                  | Atmel TWI     |
|---|---------------|
| Standard Mode Speed (100 KHz)                 | Supported     |
| Fast Mode Speed (400 KHz)                     | Supported     |
| 7 or 10 bits Slave Addressing                 | Supported     |
| START BYTE <sup>(1)</sup>                     | Not Supported |
| Repeated Start (Sr) Condition                 | Supported     |
| ACK and NACK Management                       | Supported     |
| Slope control and input filtering (Fast mode) | Not Supported |
| Clock stretching                              | Supported     |

Note: 1. START + b000000001 + Ack + Sr

### 30.2 List of Abbreviations

**Table 30-2.** Abbreviations

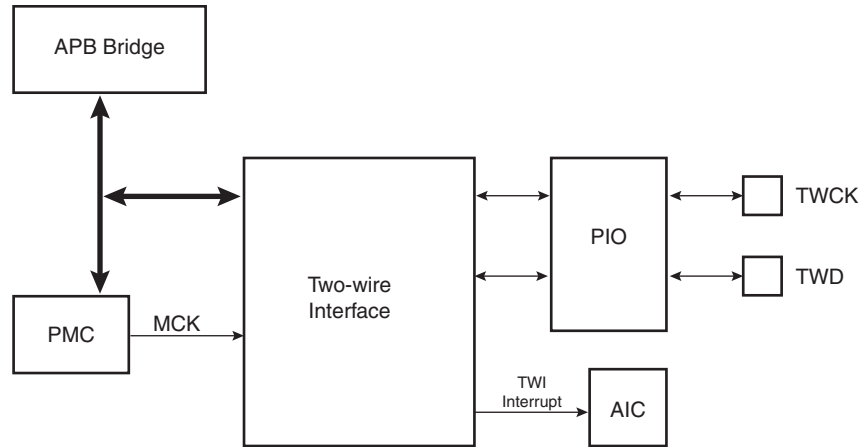
| Abbreviation | Description        |
|--------------|--------------------|
| TWI          | Two-wire Interface |
| A            | Acknowledge        |
| NA           | Non Acknowledge    |
| P            | Stop               |
| S            | Start              |
| Sr           | Repeated Start     |
| SADR         | Slave Address      |

**Table 30-2.** Abbreviations

| Abbreviation | Description             |
|--------------|-------------------------|
| ADR          | Any address except SADR |
| R            | Read                    |
| W            | Write                   |

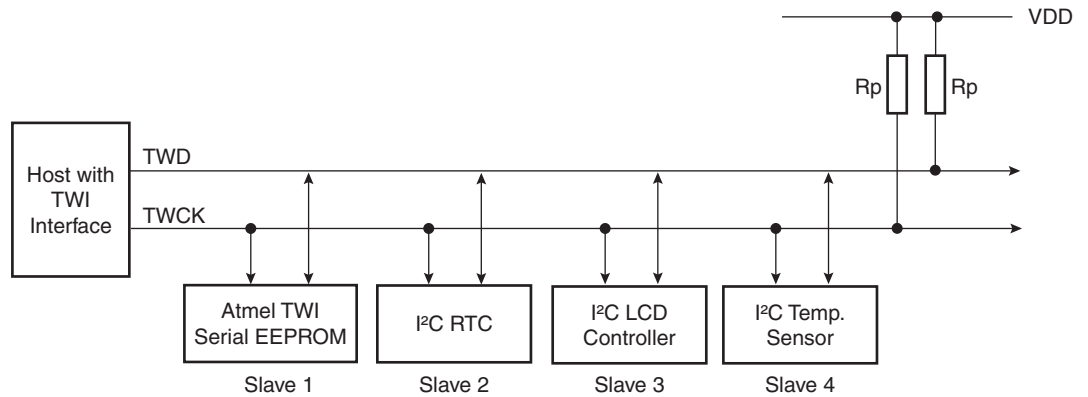
### 30.3 Block Diagram

**Figure 30-1.** Block Diagram



### 30.4 Application Block Diagram

**Figure 30-2.** Application Block Diagram



R<sub>p</sub>: Pull up value as given by the I<sup>2</sup>C Standard

### 30.4.1 I/O Lines Description

**Table 30-3.** I/O Lines Description

| Pin Name | Pin Description       | Type         |
|----------|-----------------------|--------------|
| TWD      | Two-wire Serial Data  | Input/Output |
| TWCK     | Two-wire Serial Clock | Input/Output |

## 30.5 Product Dependencies

### 30.5.1 I/O Lines

Both TWD and TWCK are bidirectional lines, connected to a positive supply voltage via a current source or pull-up resistor (see [Figure 30-2 on page 314](#)). When the bus is free, both lines are high. The output stages of devices connected to the bus must have an open-drain or open-collector to perform the wired-AND function.

TWD and TWCK pins may be multiplexed with PIO lines. To enable the TWI, the programmer must perform the following steps:

- Program the PIO controller to:
  - Dedicate TWD and TWCK as peripheral lines.
  - Define TWD and TWCK as open-drain.

### 30.5.2 Power Management

- Enable the peripheral clock.

The TWI interface may be clocked through the Power Management Controller (PMC), thus the programmer must first configure the PMC to enable the TWI clock.

### 30.5.3 Interrupt

The TWI interface has an interrupt line connected to the Advanced Interrupt Controller (AIC). In order to handle interrupts, the AIC must be programmed before configuring the TWI.

## 30.6 Functional Description

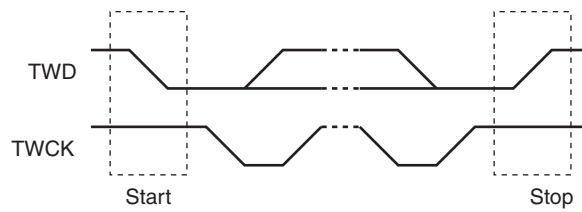
### 30.6.1 Transfer Format

The data put on the TWD line must be 8 bits long. Data is transferred MSB first; each byte must be followed by an acknowledgement. The number of bytes per transfer is unlimited (see [Figure 30-4](#)).

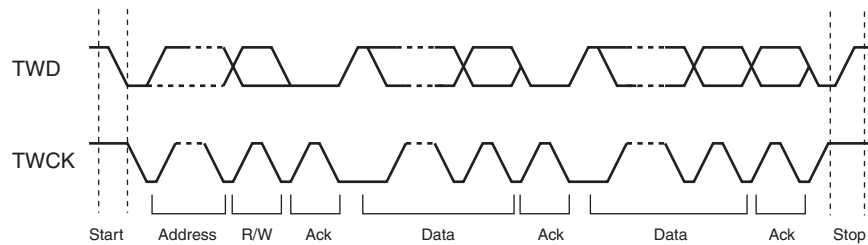
Each transfer begins with a START condition and terminates with a STOP condition (see [Figure 30-3](#)).

- A high-to-low transition on the TWD line while TWCK is high defines the START condition.
- A low-to-high transition on the TWD line while TWCK is high defines a STOP condition.

**Figure 30-3.** START and STOP Conditions



**Figure 30-4.** Transfer Format



### 30.6.2 Modes of Operation

The TWI has six modes of operations:

- Master transmitter mode
- Master receiver mode
- Multi-master transmitter mode
- Multi-master receiver mode
- Slave transmitter mode
- Slave receiver mode

These modes are described in the following chapters.

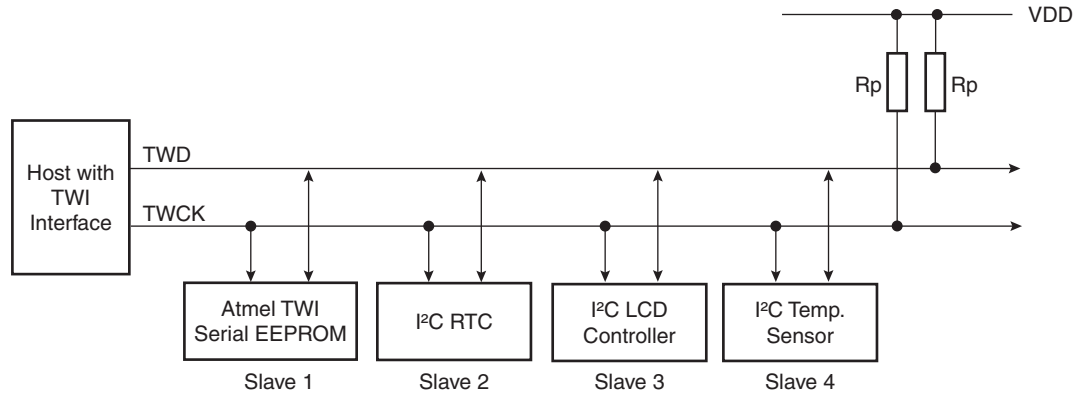
## 30.7 Master Mode

### 30.7.1 Definition

The Master is the device which starts a transfer, generates a clock and stops it.

### 30.7.2 Application Block Diagram

**Figure 30-5.** Master Mode Typical Application Block Diagram



Rp: Pull up value as given by the I²C Standard

### 30.7.3 Programming Master Mode

The following registers have to be programmed before entering Master mode:

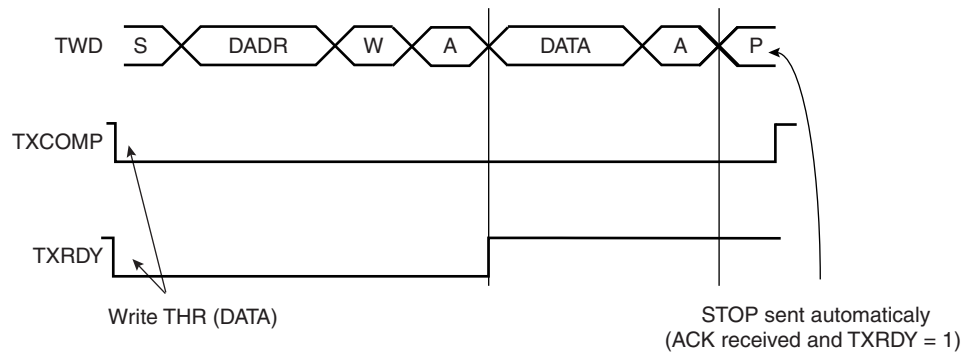
1. DADR (+ IADRSZ + IADR if a 10 bit device is addressed): The device address is used to access slave devices in read or write mode.
2. CKDIV + CHDIV + CLDIV: Clock Waveform.
3. SVDIS: Disable the slave mode.
4. MSEN: Enable the master mode.

### 30.7.4 Master Transmitter Mode

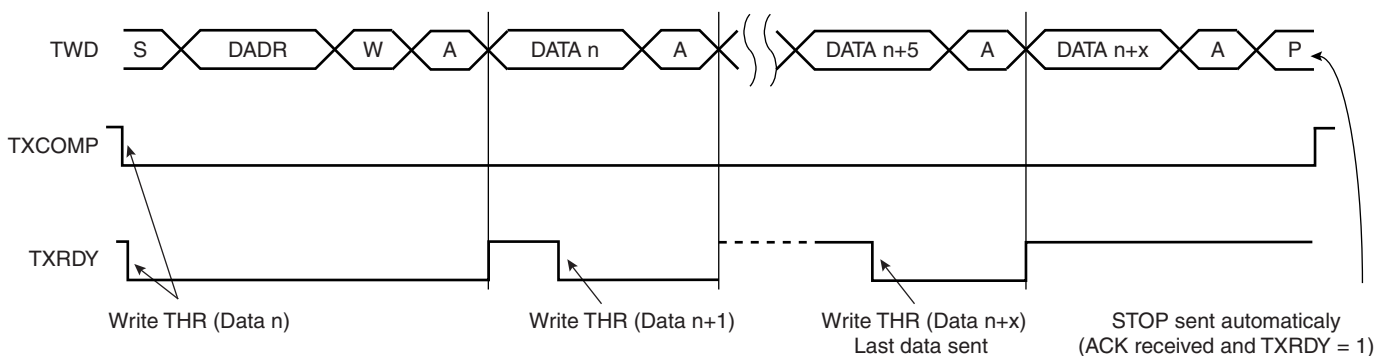
After the master initiates a Start condition when writing into the Transmit Holding Register, TWI\_THR, it sends a 7-bit slave address, configured in the Master Mode register (DADR in TWI\_MMR), to notify the slave device. The bit following the slave address indicates the transfer direction, 0 in this case (MREAD = 0 in TWI\_MMR).

The TWI transfers require the slave to acknowledge each received byte. During the acknowledge clock pulse (9th pulse), the master releases the data line (HIGH), enabling the slave to pull it down in order to generate the acknowledge. The master polls the data line during this clock pulse and sets the Not Acknowledge bit (**NACK**) in the status register if the slave does not acknowledge the byte. As with the other status bits, an interrupt can be generated if enabled in the interrupt enable register (TWI\_IER). If the slave acknowledges the byte, the data written in the TWI\_THR, is then shifted in the internal shifter and transferred. When an acknowledge is detected, the TXRDY bit is set until a new write in the TWI\_THR. When no more data is written into the TWI\_THR, the master generates a stop condition to end the transfer. The end of the complete transfer is marked by the TWI\_TXCOMP bit set to one. See [Figure 30-6](#), [Figure 30-7](#), and [Figure 30-8](#).

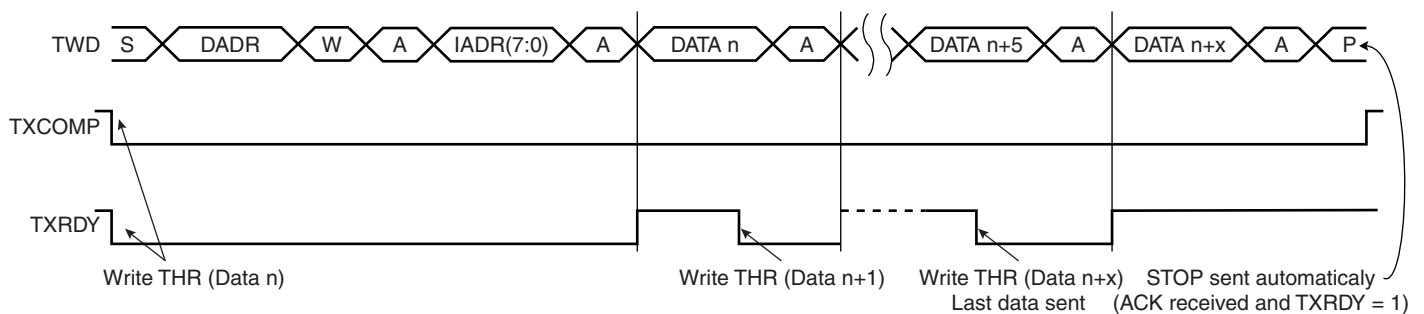
**Figure 30-6. Master Write with One Data Byte**



**Figure 30-7. Master Write with Multiple Data Byte**



**Figure 30-8. Master Write with One Byte Internal Address and Multiple Data Bytes**



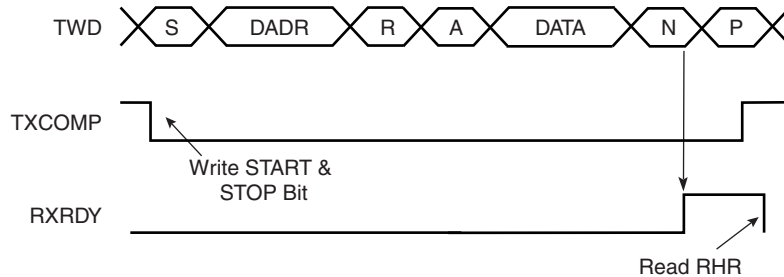
### 30.7.5 Master Receiver Mode

The read sequence begins by setting the START bit. After the start condition has been sent, the master sends a 7-bit slave address to notify the slave device. The bit following the slave address indicates the transfer direction, 1 in this case ( $MREAD = 1$  in  $TWI\_MMR$ ). During the acknowledge clock pulse (9th pulse), the master releases the data line (HIGH), enabling the slave to pull it down in order to generate the acknowledge. The master polls the data line during this clock pulse and sets the **NACK** bit in the status register if the slave does not acknowledge the byte.

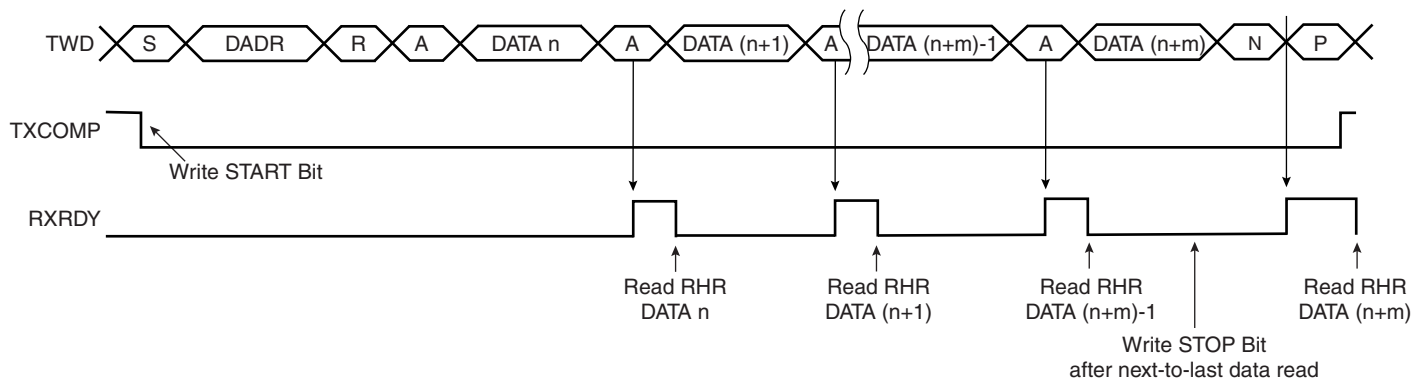
If an acknowledge is received, the master is then ready to receive data from the slave. After data has been received, the master sends an acknowledge condition to notify the slave that the data has been received except for the last data, after the stop condition. See [Figure 30-9](#). When the RXRDY bit is set in the status register, a character has been received in the receive-holding register ( $TWI\_RHR$ ). The RXRDY bit is reset when reading the  $TWI\_RHR$ .

When a single data byte read is performed, with or without internal address (**IADR**), the START and STOP bits must be set at the same time. See [Figure 30-9](#). When a multiple data byte read is performed, with or without internal address (**IADR**), the STOP bit must be set after the next-to-last data received. See [Figure 30-10](#). For Internal Address usage see [Section 30.7.6](#).

**Figure 30-9.** Master Read with One Data Byte



**Figure 30-10.** Master Read with Multiple Data Bytes



### 30.7.6 Internal Address

The TWI interface can perform various transfer formats: Transfers with 7-bit slave address devices and 10-bit slave address devices.

#### 30.7.6.1 7-bit Slave Addressing

When Addressing 7-bit slave devices, the internal address bytes are used to perform random address (read or write) accesses to reach one or more data bytes, within a memory page location in a serial memory, for example. When performing read operations with an internal address, the TWI performs a write operation to set the internal address into the slave device, and then switch to Master Receiver mode. Note that the second start condition (after sending the IADR) is sometimes called “repeated start” (Sr) in I2C fully-compatible devices. See [Figure 30-12](#). See [Figure 30-11](#) and [Figure 30-13](#) for Master Write operation with internal address.

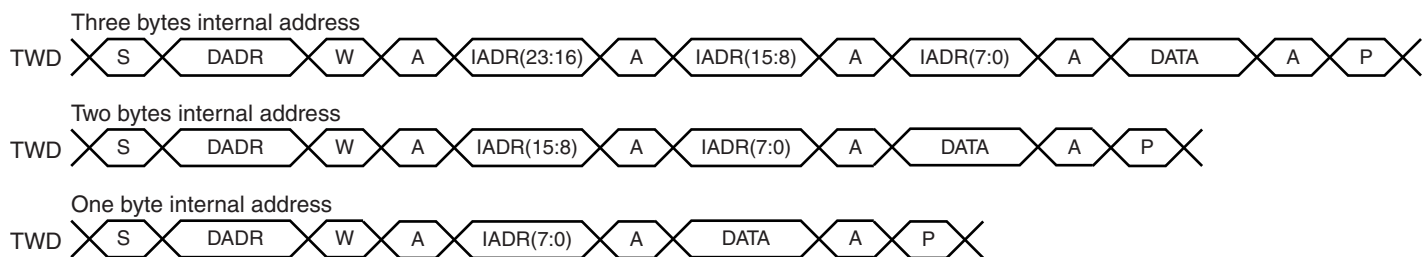
The three internal address bytes are configurable through the Master Mode register (TWI\_MMR).

If the slave device supports only a 7-bit address, i.e. no internal address, **IADRSZ** must be set to 0.

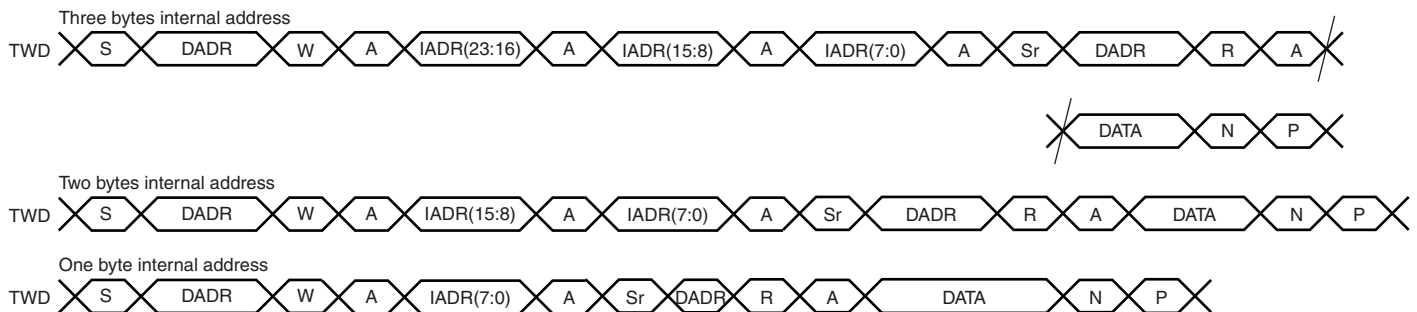
In the figures below the following abbreviations are used:

- S Start
- Sr Repeated Start
- P Stop
- W Write
- R Read
- A Acknowledge
- N Not Acknowledge
- DADR Device Address
- IADR Internal Address

**Figure 30-11.** Master Write with One, Two or Three Bytes Internal Address and One Data Byte



**Figure 30-12.** Master Read with One, Two or Three Bytes Internal Address and One Data Byte



### 30.7.6.2 10-bit Slave Addressing

For a slave address higher than 7 bits, the user must configure the address size (**IADRSZ**) and set the other slave address bits in the internal address register (TWI\_IADR). The two remaining Internal address bytes, IADR[15:8] and IADR[23:16] can be used the same as in 7-bit Slave Addressing.

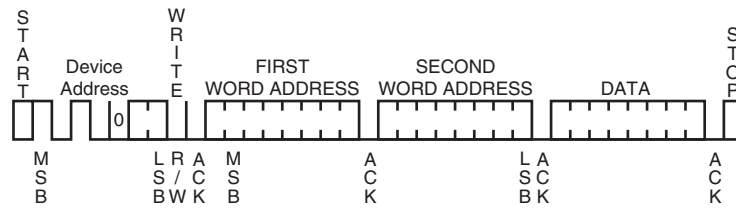
**Example:** Address a 10-bit device (10-bit device address is b1 b2 b3 b4 b5 b6 b7 b8 b9 b10)

1. Program IADRSZ = 1,
2. Program DADR with 1 1 1 1 0 b1 b2 (b1 is the MSB of the 10-bit address, b2, etc.)
3. Program TWI\_IADR with b3 b4 b5 b6 b7 b8 b9 b10 (b10 is the LSB of the 10-bit address)
- 4.



Figure 30-13 below shows a byte write to an Atmel AT24LC512 EEPROM. This demonstrates the use of internal addresses to access the device.

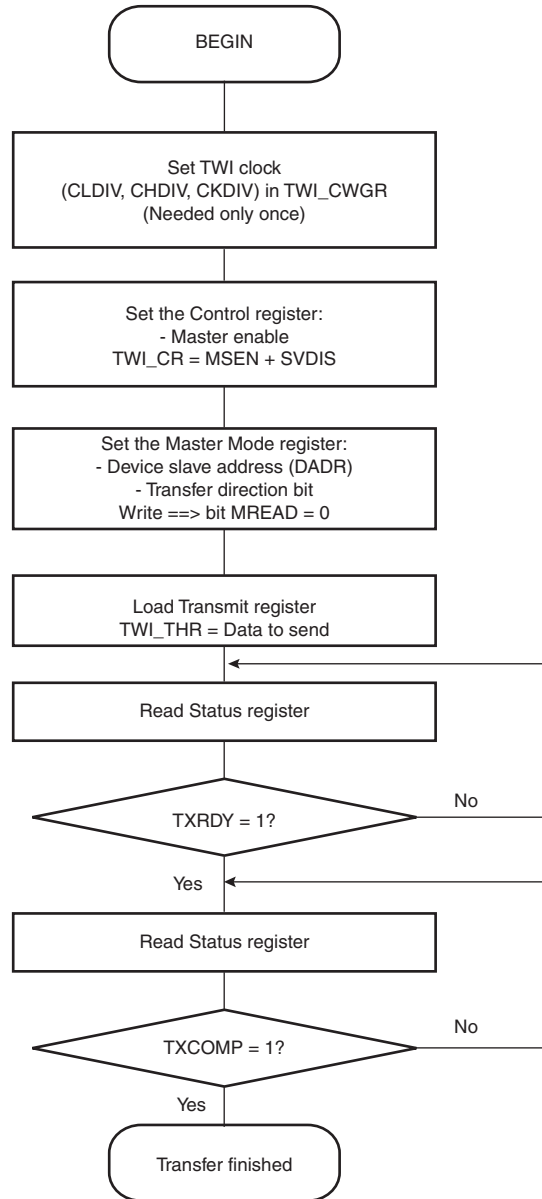
**Figure 30-13.** Internal Address Usage



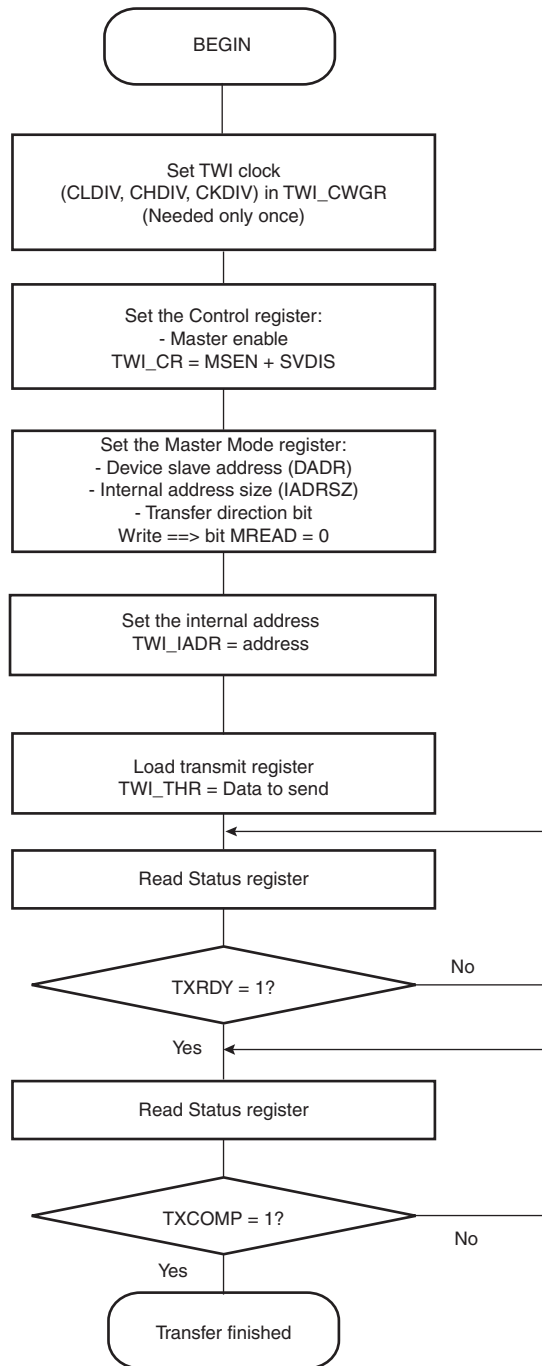
### 30.7.7 Read-write Flowcharts

The following flowcharts shown in [Figure 30-14](#), [Figure 30-15 on page 323](#), [Figure 30-16 on page 324](#), [Figure 30-17 on page 325](#), [Figure 30-18 on page 326](#) and [Figure 30-19 on page 327](#) give examples for read and write operations. A polling or interrupt method can be used to check the status bits. The interrupt method requires that the interrupt enable register (TWI\_IER) be configured first.

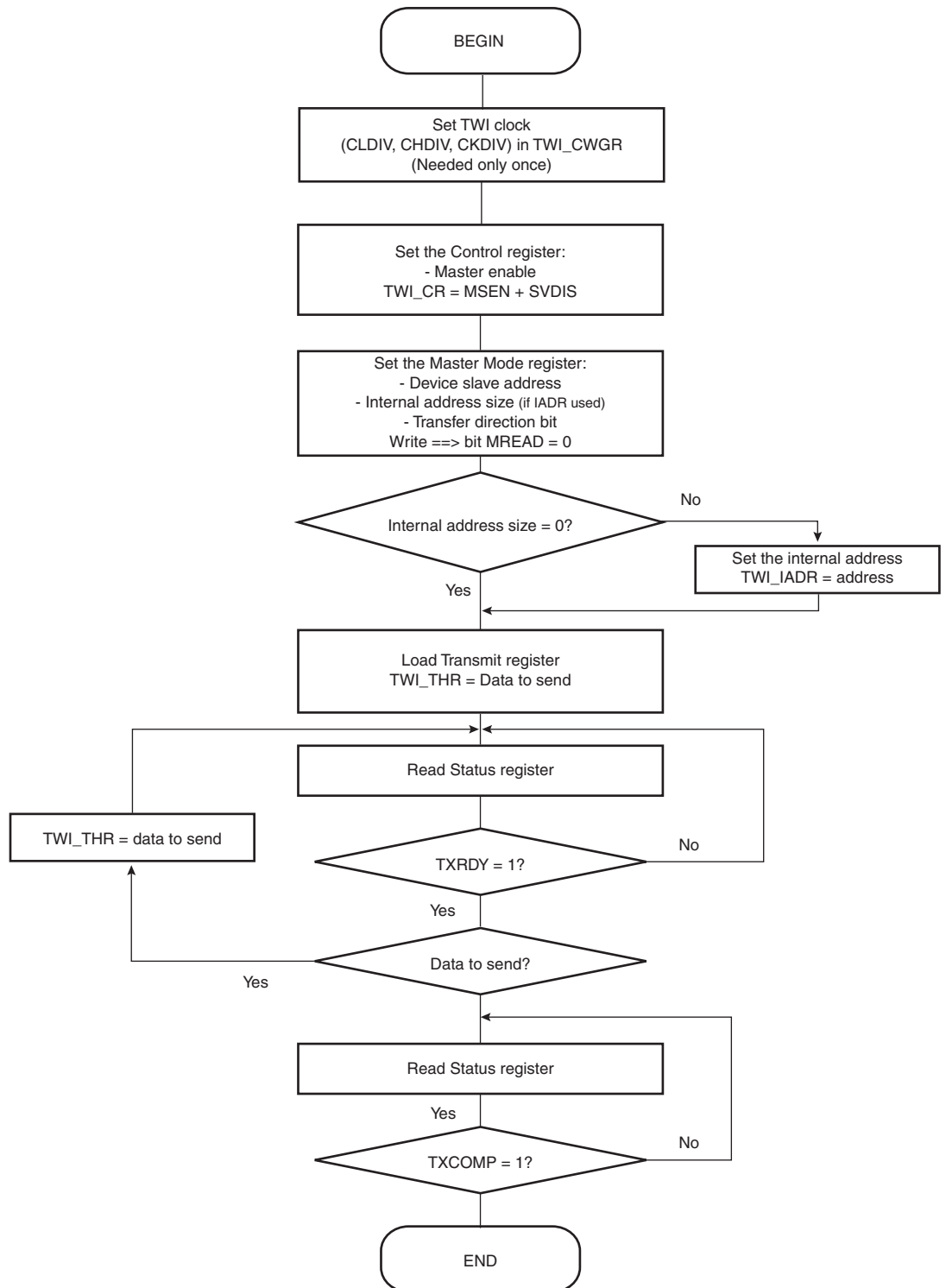
**Figure 30-14.** TWI Write Operation with Single Data Byte without Internal Address



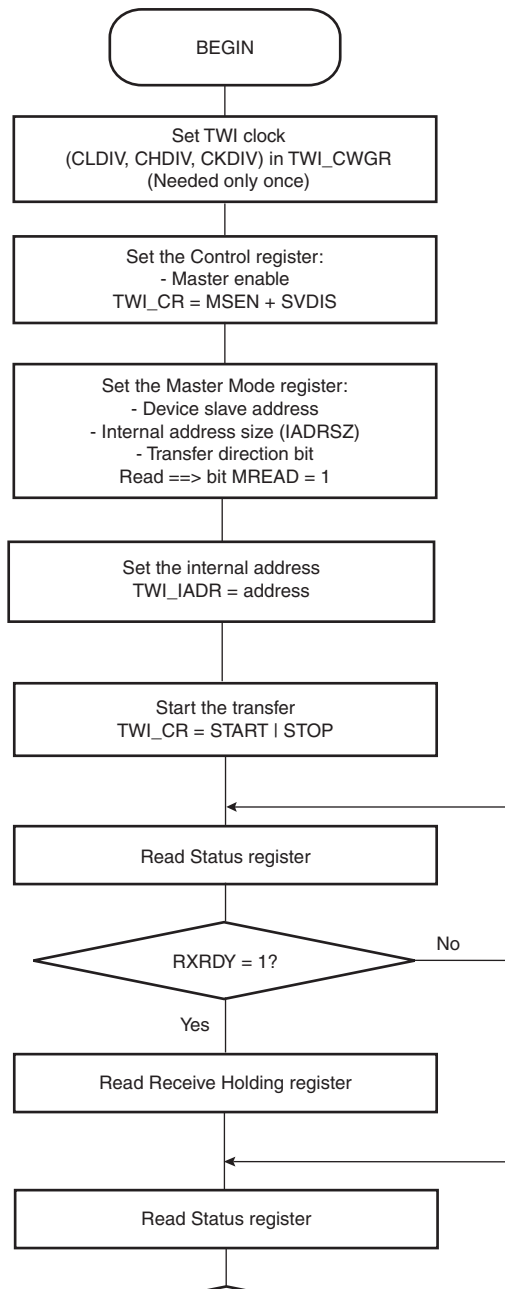
**Figure 30-15. TWI Write Operation with Single Data Byte and Internal Address**



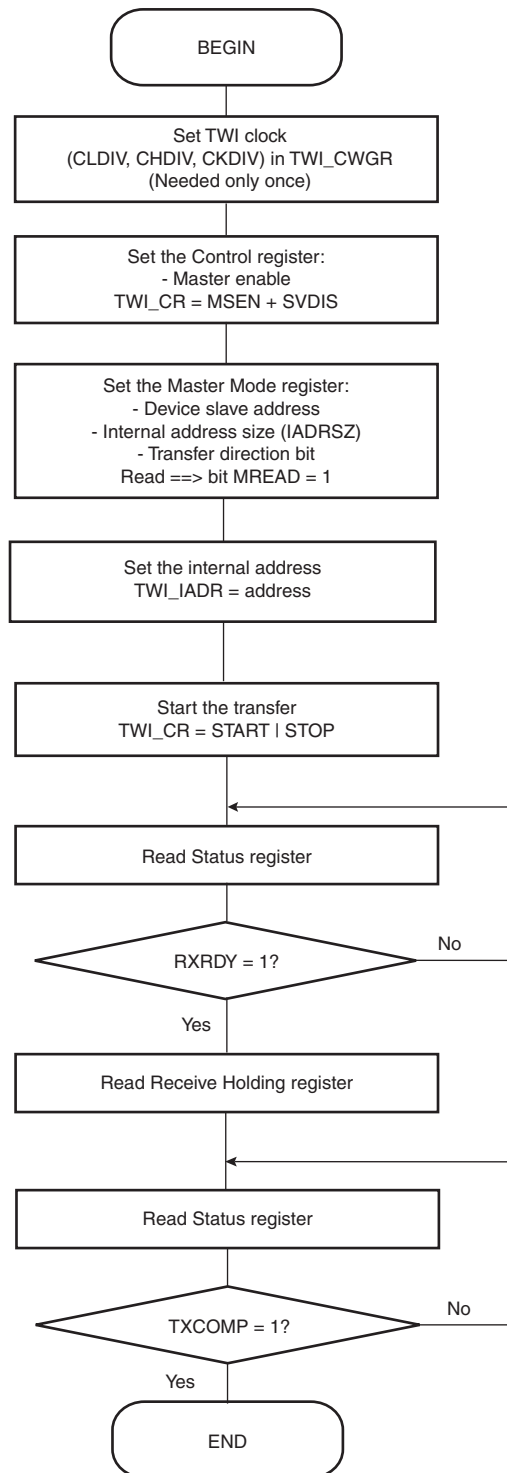
**Figure 30-16.** TWI Write Operation with Multiple Data Bytes with or without Internal Address



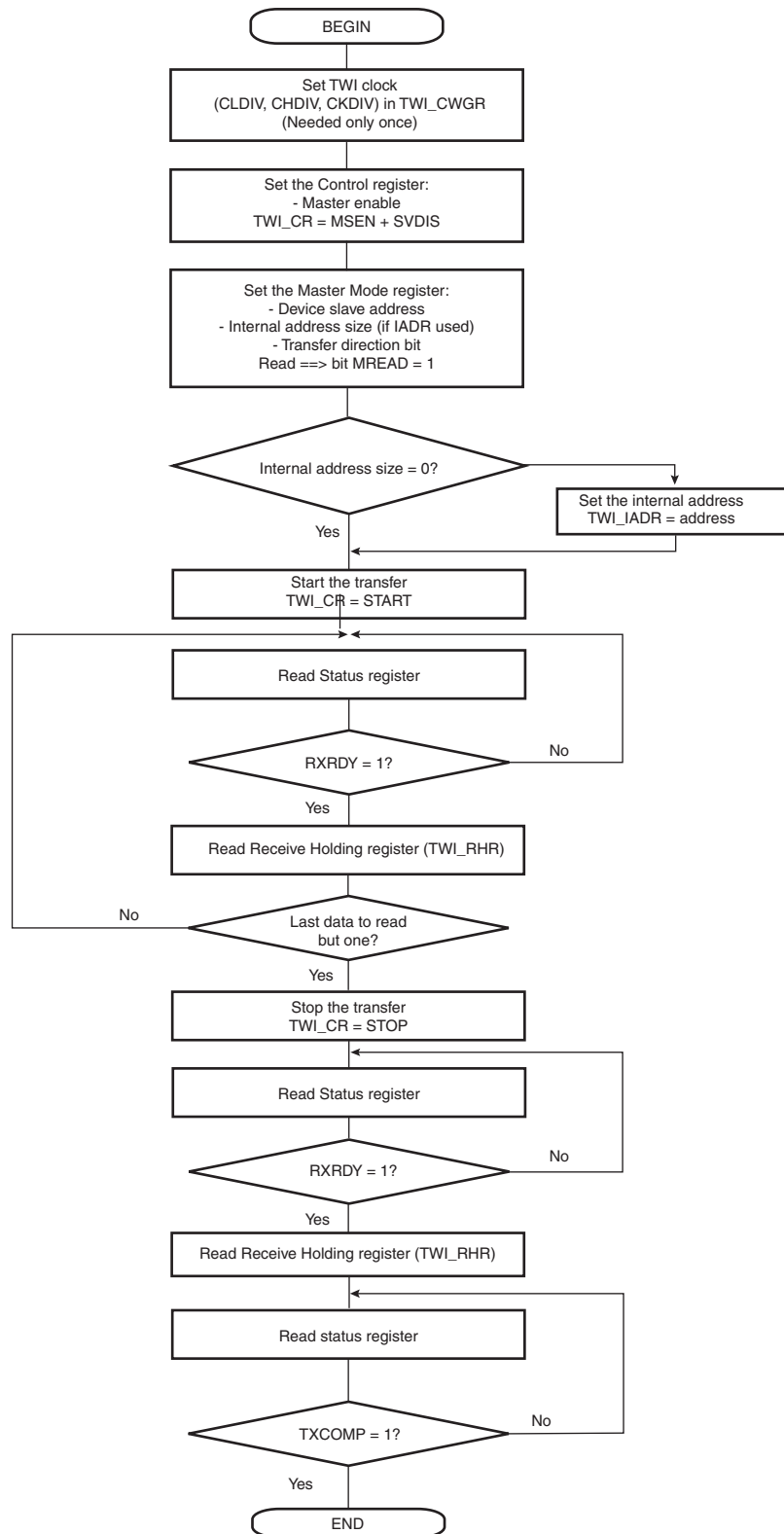
**Figure 30-17.** TWI Read Operation with Single Data Byte without Internal Address



**Figure 30-18. TWI Read Operation with Single Data Byte and Internal Address**



**Figure 30-19. TWI Read Operation with Multiple Data Bytes with or without Internal Address**



## 30.8 Multi-master Mode

### 30.8.1 Definition

More than one master may handle the bus at the same time without data corruption by using arbitration.

Arbitration starts as soon as two or more masters place information on the bus at the same time, and stops (arbitration is lost) for the master that intends to send a logical one while the other master sends a logical zero.

As soon as arbitration is lost by a master, it stops sending data and listens to the bus in order to detect a stop. When the stop is detected, the master who has lost arbitration may put its data on the bus by respecting arbitration.

Arbitration is illustrated in [Figure 30-21 on page 329](#).

### 30.8.2 Different Multi-master Modes

Two multi-master modes may be distinguished:

1. TWI is considered as a Master only and will never be addressed.
2. TWI may be either a Master or a Slave and may be addressed.

Note: In both Multi-master modes arbitration is supported.

#### 30.8.2.1 *TWI as Master Only*

In this mode, TWI is considered as a Master only (MSEN is always at one) and must be driven like a Master with the ARBLST (ARBitration Lost) flag in addition.

If arbitration is lost (ARBLST = 1), the programmer must reinitiate the data transfer.

If the user starts a transfer (ex.: DADR + START + W + Write in THR) and if the bus is busy, the TWI automatically waits for a STOP condition on the bus to initiate the transfer (see [Figure 30-20 on page 329](#)).

Note: The state of the bus (busy or free) is not indicated in the user interface.

#### 30.8.2.2 *TWI as Master or Slave*

The automatic reversal from Master to Slave is not supported in case of a lost arbitration.

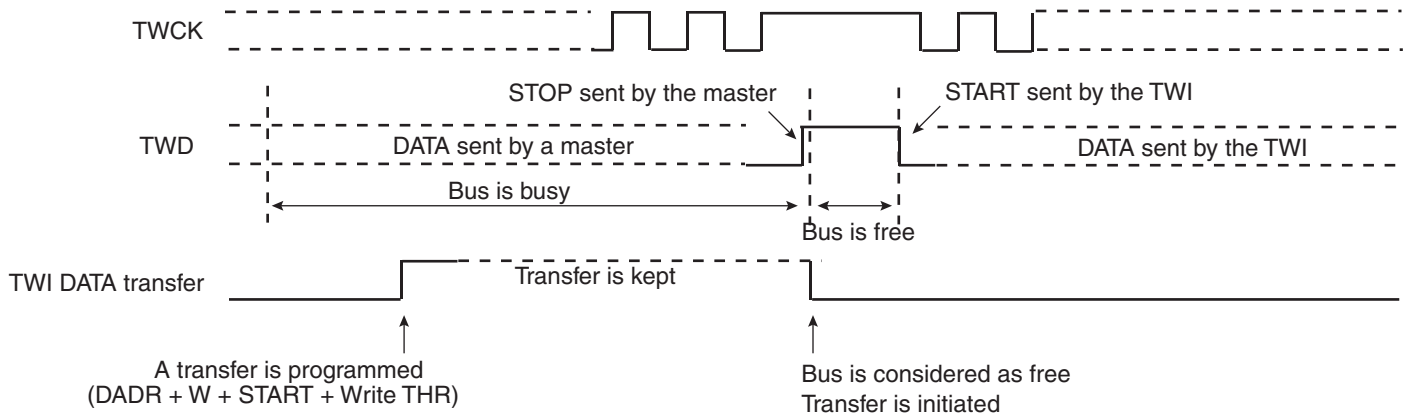
Then, in the case where TWI may be either a Master or a Slave, the programmer must manage the pseudo Multi-master mode described in the steps below.

1. Program TWI in Slave mode (SADR + MSDIS + SVEN) and perform Slave Access (if TWI is addressed).
2. If TWI has to be set in Master mode, wait until TXCOMP flag is at 1.
3. Program Master mode (DADR + SVDIS + MSEN) and start the transfer (ex: START + Write in THR).
4. As soon as the Master mode is enabled, TWI scans the bus in order to detect if it is busy or free. When the bus is considered as free, TWI initiates the transfer.
5. As soon as the transfer is initiated and until a STOP condition is sent, the arbitration becomes relevant and the user must monitor the ARBLST flag.
6. If the arbitration is lost (ARBLST is set to 1), the user must program the TWI in Slave mode in the case where the Master that won the arbitration wanted to access the TWI.
7. If TWI has to be set in Slave mode, wait until TXCOMP flag is at 1 and then program the Slave mode.

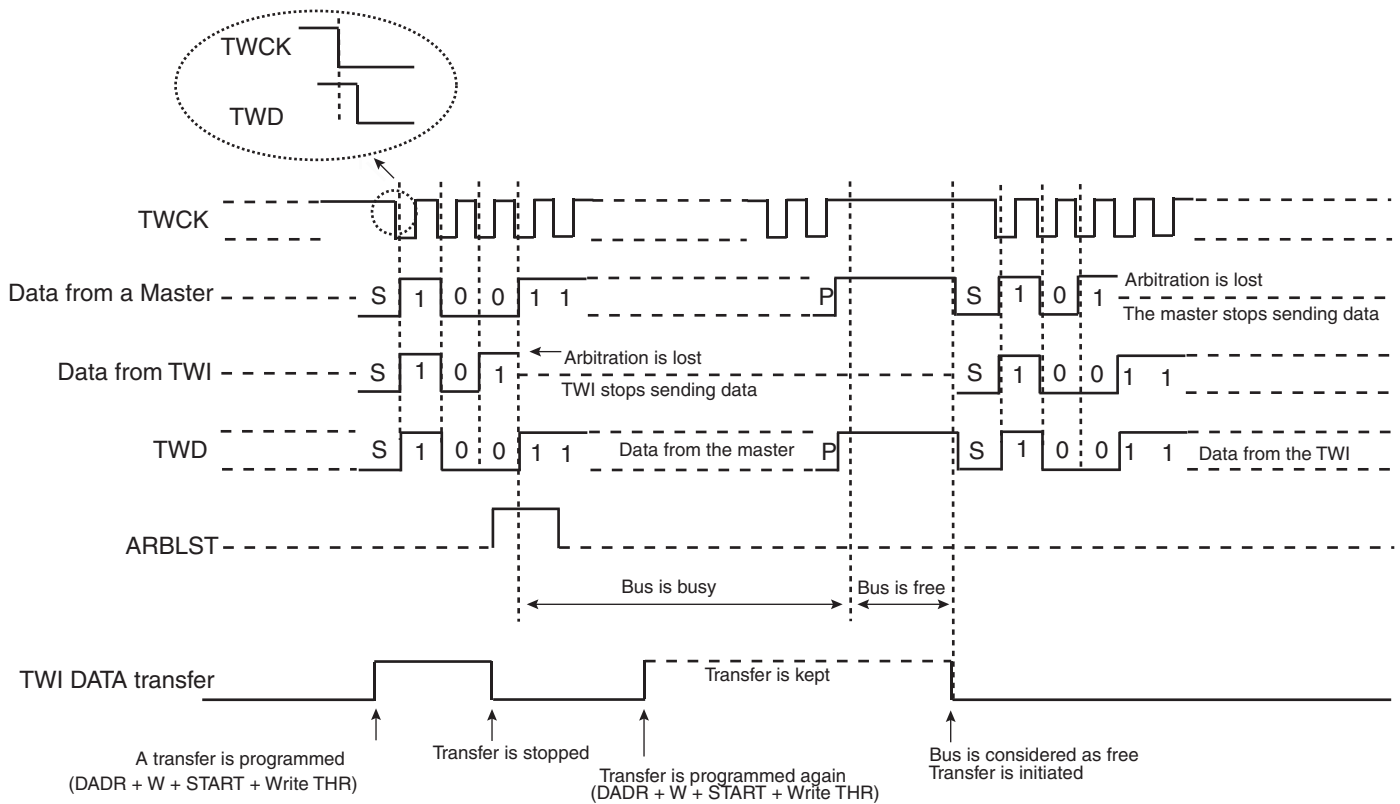


Note: In the case where the arbitration is lost and TWI is addressed, TWI will not acknowledge even if it is programmed in Slave mode as soon as ARBLST is set to 1. Then, the Master must repeat SADR.

**Figure 30-20.** Programmer Sends Data While the Bus is Busy

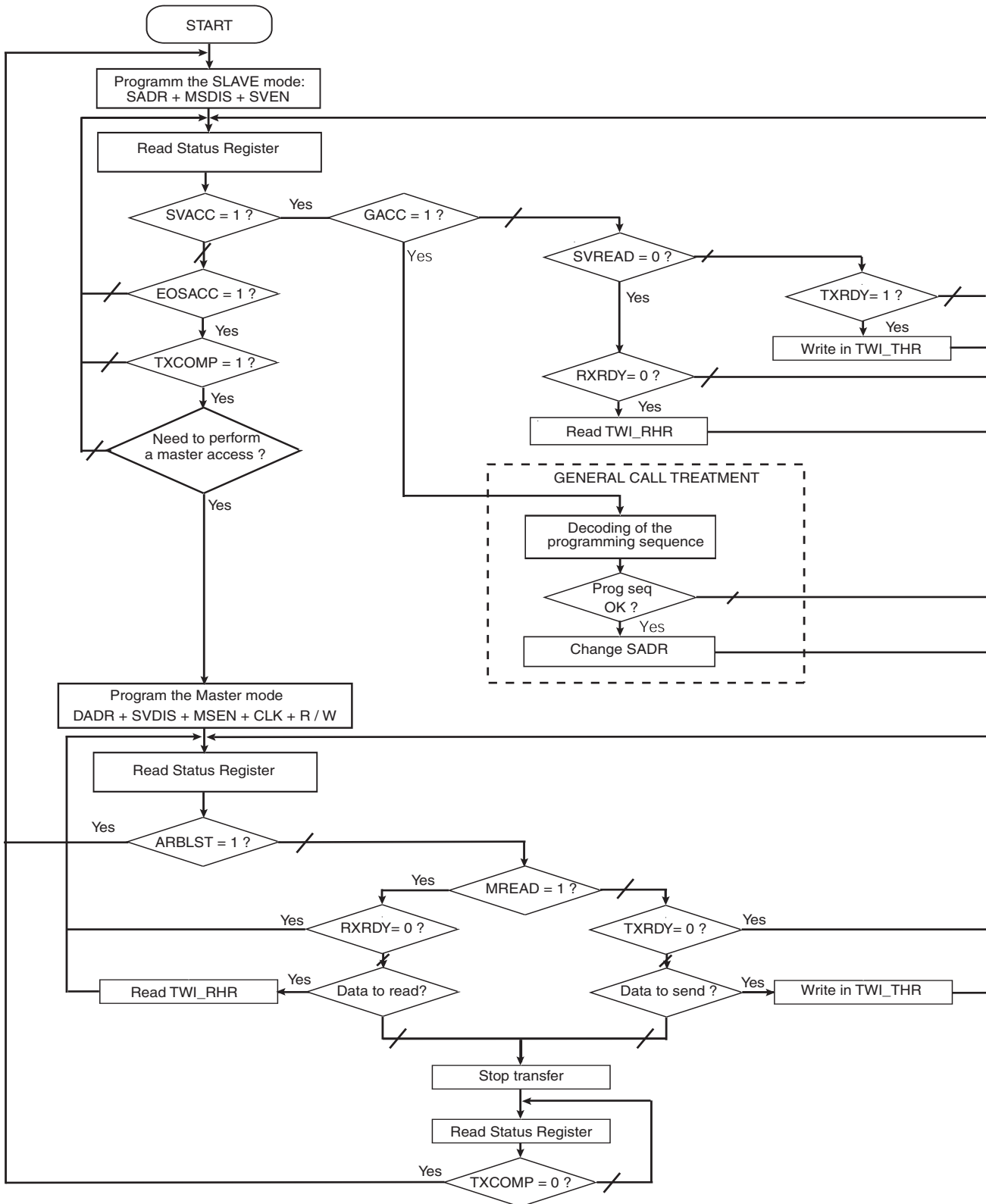


**Figure 30-21.** Arbitration Cases



The flowchart shown in [Figure 30-22 on page 330](#) gives an example of read and write operations in Multi-master mode.

Figure 30-22. Multi-master Flowchart



## 30.9 Slave Mode

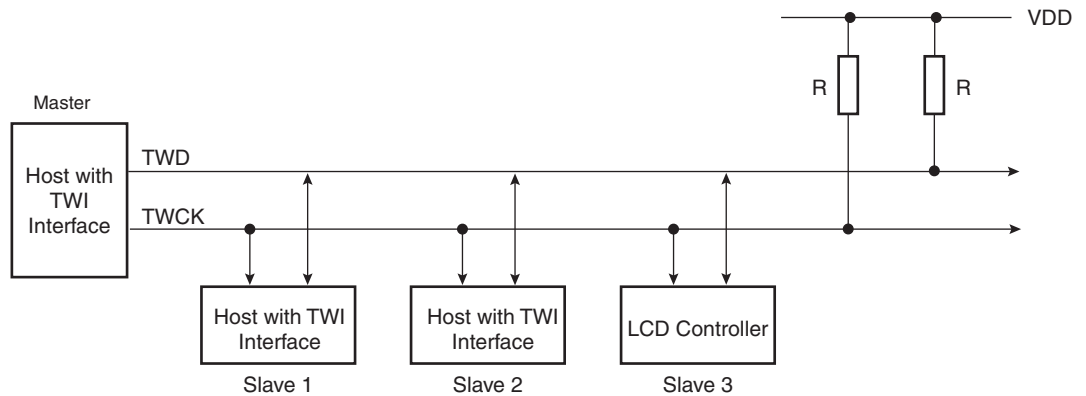
### 30.9.1 Definition

The Slave Mode is defined as a mode where the device receives the clock and the address from another device called the master.

In this mode, the device never initiates and never completes the transmission (START, REPEATED\_START and STOP conditions are always provided by the master).

### 30.9.2 Application Block Diagram

**Figure 30-23.** Slave Mode Typical Application Block Diagram



### 30.9.3 Programming Slave Mode

The following fields must be programmed before entering Slave mode:

1. SADR (TWI\_SMR): The slave device address is used in order to be accessed by master devices in read or write mode.
2. MSDIS (TWI\_CR): Disable the master mode.
3. SVEN (TWI\_CR): Enable the slave mode.

As the device receives the clock, values written in TWI\_CWGR are not taken into account.

### 30.9.4 Receiving Data

After a Start or Repeated Start condition is detected and if the address sent by the Master matches with the Slave address programmed in the SADR (Slave Address) field, SVACC (Slave Access) flag is set and SVREAD (Slave READ) indicates the direction of the transfer.

SVACC remains high until a STOP condition or a repeated START is detected. When such a condition is detected, EOSACC (End Of Slave Access) flag is set.

#### 30.9.4.1 Read Sequence

In the case of a Read sequence (SVREAD is high), TWI transfers data written in the TWI\_THR (TWI Transmit Holding Register) until a STOP condition or a REPEATED\_START + an address different from SADR is detected. Note that at the end of the read sequence TXCOMP (Transmission Complete) flag is set and SVACC reset.

As soon as data is written in the TWI\_THR, TXRDY (Transmit Holding Register Ready) flag is reset, and it is set when the shift register is empty and the sent data acknowledged or not. If the data is not acknowledged, the NACK flag is set.

Note that a STOP or a repeated START always follows a NACK.

See [Figure 30-24 on page 333](#).

#### 30.9.4.2 *Write Sequence*

In the case of a Write sequence (SVREAD is low), the RXRDY (Receive Holding Register Ready) flag is set as soon as a character has been received in the TWI\_RHR (TWI Receive Holding Register). RXRDY is reset when reading the TWI\_RHR.

TWI continues receiving data until a STOP condition or a REPEATED\_START + an address different from SADR is detected. Note that at the end of the write sequence TXCOMP flag is set and SVACC reset.

See [Figure 30-25 on page 333](#).

#### 30.9.4.3 *Clock Synchronization Sequence*

In the case where TWI\_THR or TWI\_RHR is not written/read in time, TWI performs a clock synchronization.

Clock stretching information is given by the SCLWS (Clock Wait state) bit.

See [Figure 30-27 on page 335](#) and [Figure 30-28 on page 336](#).

#### 30.9.4.4 *General Call*

In the case where a GENERAL CALL is performed, GACC (General Call ACCESS) flag is set.

After GACC is set, it is up to the programmer to interpret the meaning of the GENERAL CALL and to decode the new address programming sequence.

See [Figure 30-26 on page 334](#).

### 30.9.5 **Data Transfer**

#### 30.9.5.1 *Read Operation*

The read mode is defined as a data requirement from the master.

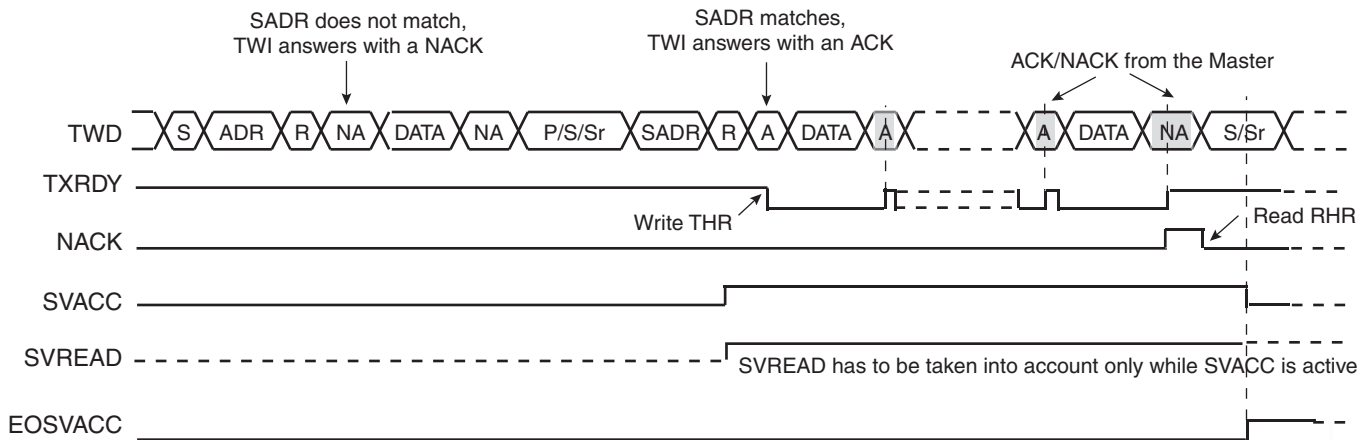
After a START or a REPEATED START condition is detected, the decoding of the address starts. If the slave address (SADR) is decoded, SVACC is set and SVREAD indicates the direction of the transfer.

Until a STOP or REPEATED START condition is detected, TWI continues sending data loaded in the TWI\_THR register.

If a STOP condition or a REPEATED START + an address different from SADR is detected, SVACC is reset.

[Figure 30-24 on page 333](#) describes the write operation.

**Figure 30-24. Read Access Ordered by a MASTER**



- Notes:
1. When SVACC is low, the state of SVREAD becomes irrelevant.
  2. TXRDY is reset when data has been transmitted from TWI\_THR to the shift register and set when this data has been acknowledged or non acknowledged.

### 30.9.5.2 Write Operation

The write mode is defined as a data transmission from the master.

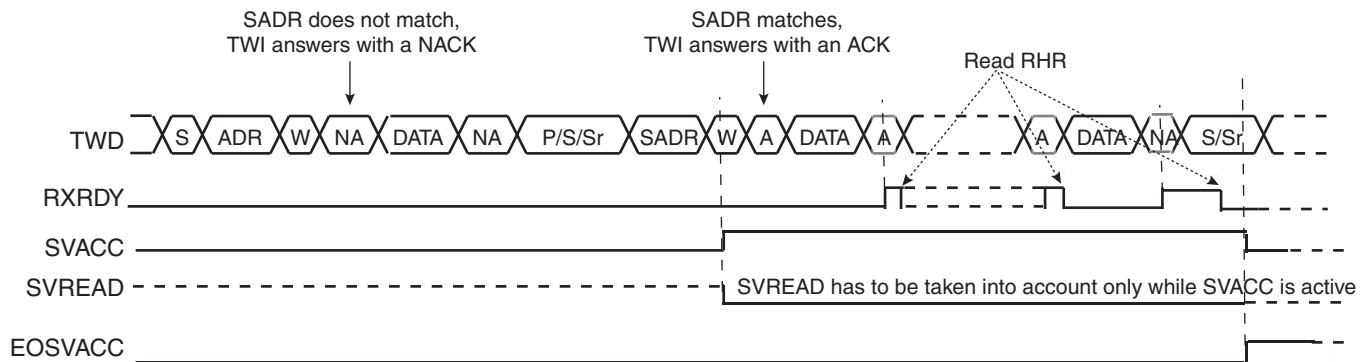
After a START or a REPEATED START, the decoding of the address starts. If the slave address is decoded, SVACC is set and SVREAD indicates the direction of the transfer (SVREAD is low in this case).

Until a STOP or REPEATED START condition is detected, TWI stores the received data in the TWI\_RHR register.

If a STOP condition or a REPEATED START + an address different from SADR is detected, SVACC is reset.

Figure 30-25 on page 333 describes the Write operation.

**Figure 30-25. Write Access Ordered by a Master**



- Notes:
1. When SVACC is low, the state of SVREAD becomes irrelevant.
  2. RXRDY is set when data has been transmitted from the shift register to the TWI\_RHR and reset when this data is read.

### 30.9.5.3 General Call

The general call is performed in order to change the address of the slave.

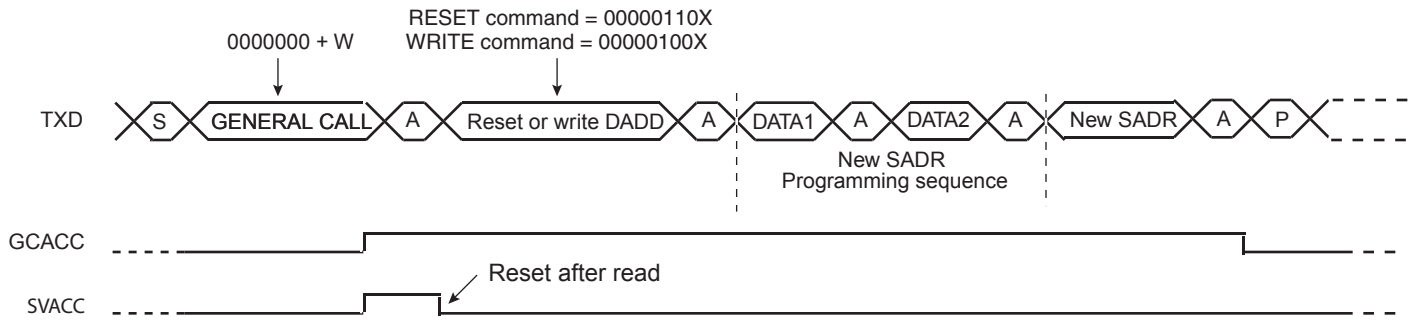
If a GENERAL CALL is detected, GACC is set.

After the detection of General Call, it is up to the programmer to decode the commands which come afterwards.

In case of a WRITE command, the programmer has to decode the programming sequence and program a new SADR if the programming sequence matches.

Figure 30-26 on page 334 describes the General Call access.

**Figure 30-26. Master Performs a General Call**



Note: This method allows the user to create an own programming sequence by choosing the programming bytes and the number of them. The programming sequence has to be provided to the master.

### 30.9.5.4 Clock Synchronization

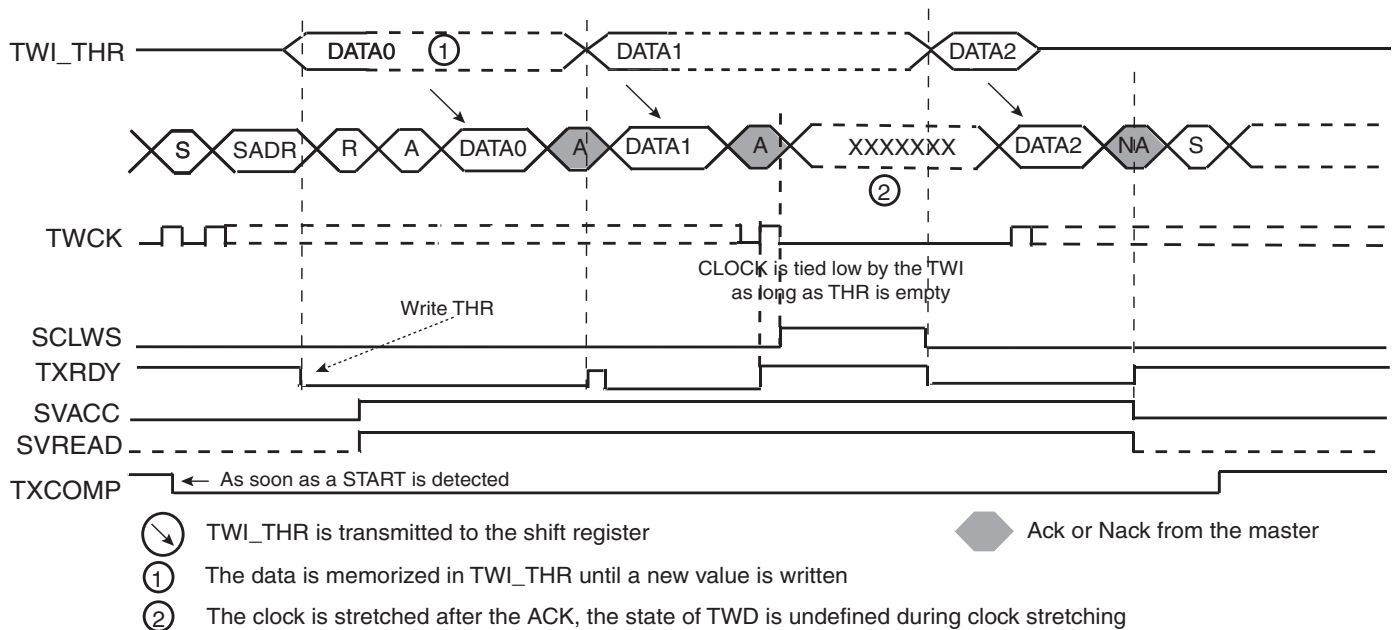
In both read and write modes, it may happen that TWI\_THR/TWI\_RHR buffer is not filled /emptied before the emission/reception of a new character. In this case, to avoid sending/receiving undesired data, a clock stretching mechanism is implemented.

#### Clock Synchronization in Read Mode

The clock is tied low if the shift register is empty and if a STOP or REPEATED START condition was not detected. It is tied low until the shift register is loaded.

Figure 30-27 on page 335 describes the clock synchronization in Read mode.

**Figure 30-27.** Clock Synchronization in Read Mode



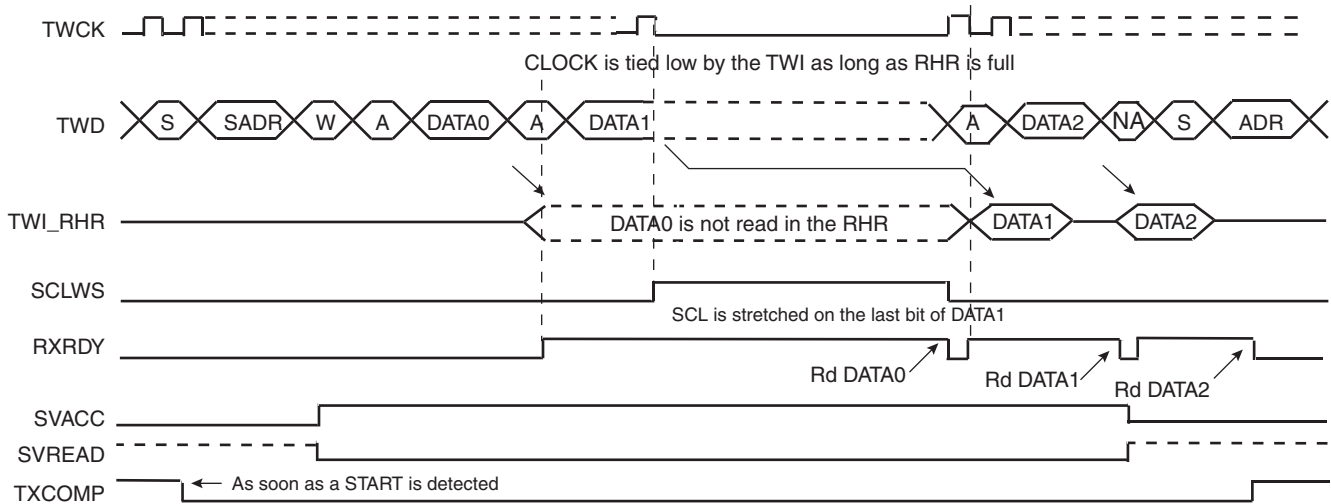
- Notes:
1. TXRDY is reset when data has been written in the TWI\_TH to the shift register and set when this data has been acknowledged or non acknowledged.
  2. At the end of the read sequence, TXCOMP is set after a STOP or after a REPEATED\_START + an address different from SADR.
  3. SCLWS is automatically set when the clock synchronization mechanism is started.

### Clock Synchronization in Write Mode

The clock is tied low if the shift register and the TWI\_RHR is full. If a STOP or REPEATED\_START condition was not detected, it is tied low until TWI\_RHR is read.

Figure 30-28 on page 336 describes the clock synchronization in Read mode.

**Figure 30-28.** Clock Synchronization in Write Mode



- Notes:
1. At the end of the read sequence, TXCOMP is set after a STOP or after a REPEATED\_START + an address different from SADR.
  2. SCLWS is automatically set when the clock synchronization mechanism is started and automatically reset when the mechanism is finished.



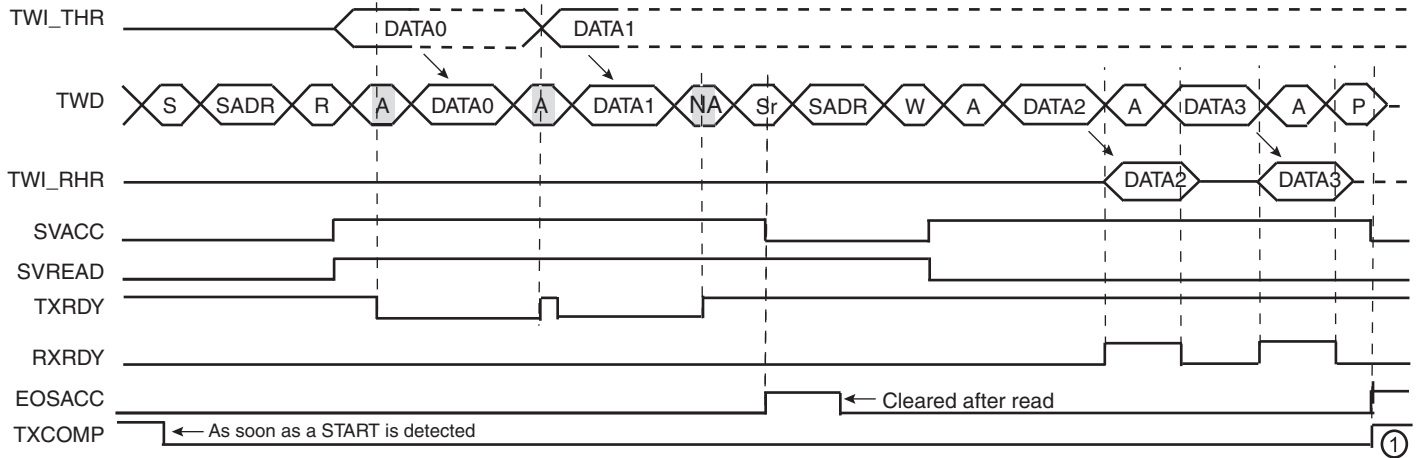
### 30.9.5.5 Reversal after a Repeated Start

#### Reversal of Read to Write

The master initiates the communication by a read command and finishes it by a write command.

Figure 30-29 on page 337 describes the repeated start + reversal from Read to Write mode.

**Figure 30-29.** Repeated Start + Reversal from Read to Write Mode

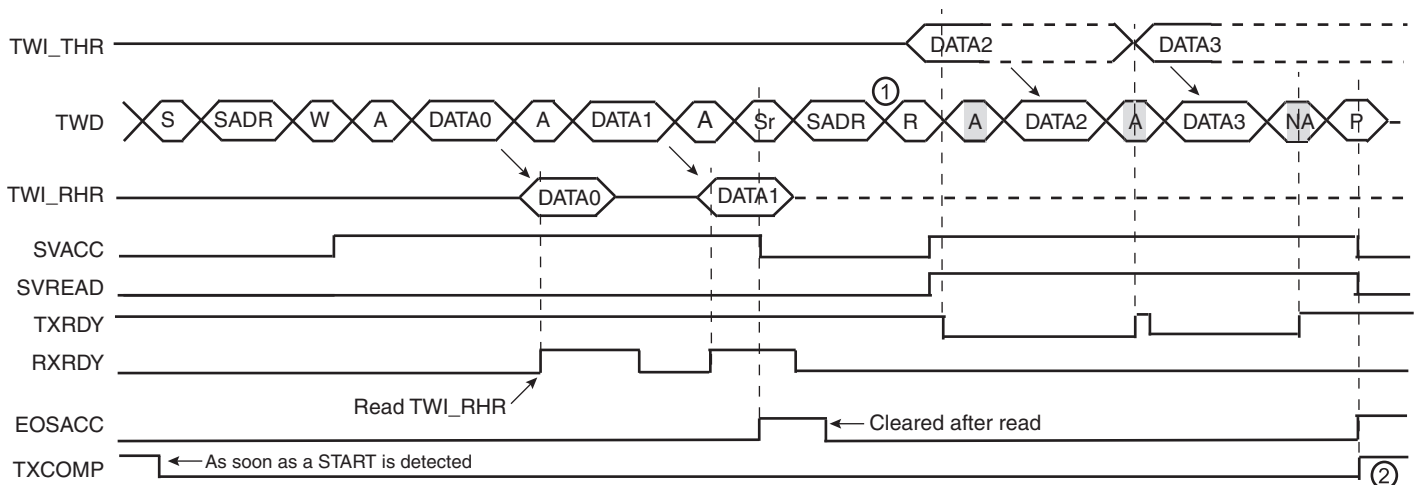


1. TXCOMP is only set at the end of the transmission because after the repeated start, SADR is detected again.

#### Reversal of Write to Read

The master initiates the communication by a write command and finishes it by a read command. Figure 30-30 on page 337 describes the repeated start + reversal from Write to Read mode.

**Figure 30-30.** Repeated Start + Reversal from Write to Read Mode

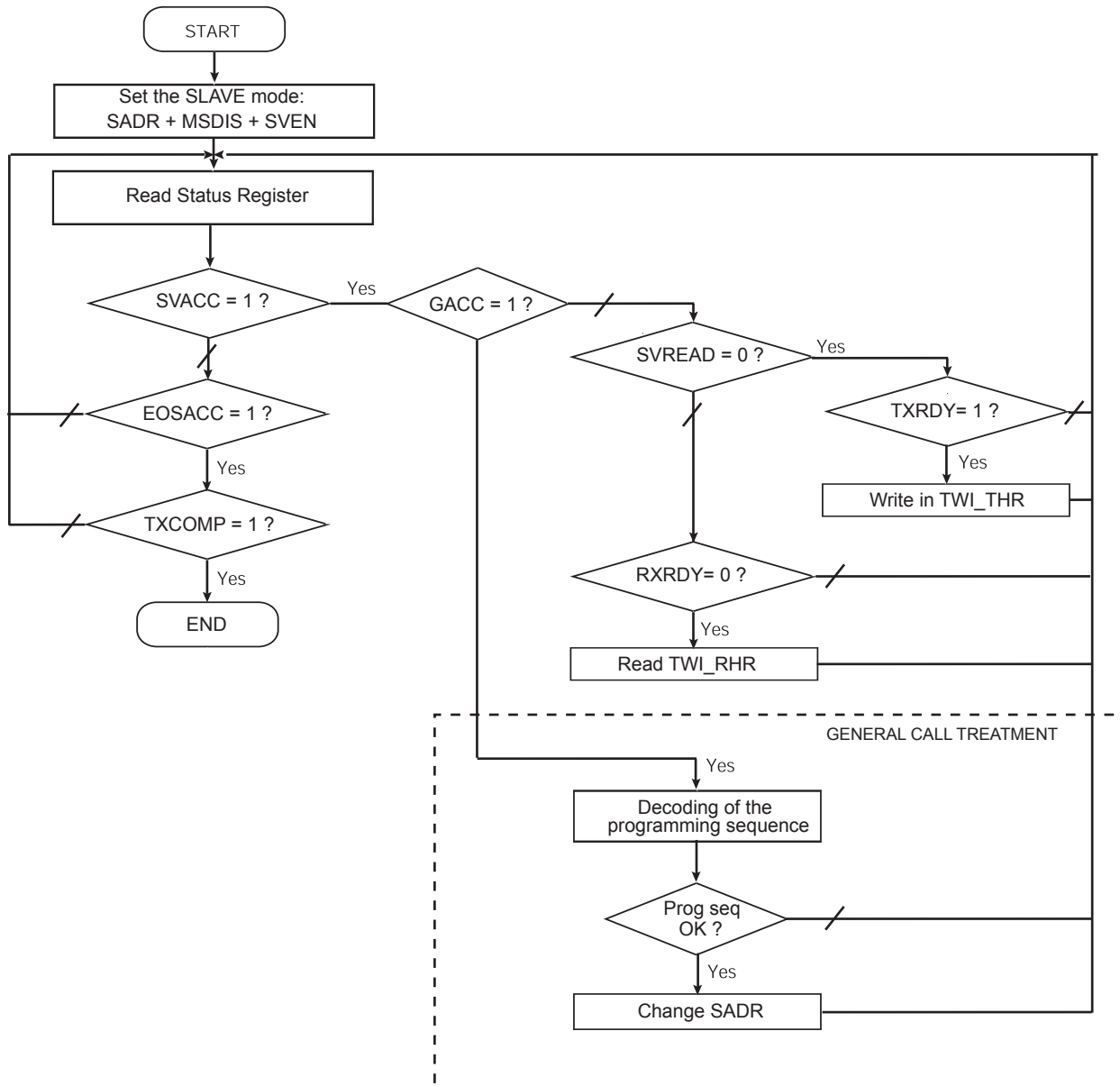


- Notes:
1. In this case, if TWI\_THR has not been written at the end of the read command, the clock is automatically stretched before the ACK.
  2. TXCOMP is only set at the end of the transmission because after the repeated start, SADR is detected again.

### 30.9.6 Read Write Flowcharts

The flowchart shown in [Figure 30-31 on page 338](#) gives an example of read and write operations in Slave mode. A polling or interrupt method can be used to check the status bits. The interrupt method requires that the interrupt enable register (TWI\_IER) be configured first.

**Figure 30-31.** Read Write Flowchart in Slave Mode



## 30.10 Two-wire Interface (TWI) User Interface

**Table 30-4.** Register Mapping

| Offset      | Register                          | Name     | Access     | Reset      |
|-------------|-----------------------------------|----------|------------|------------|
| 0x00        | Control Register                  | TWI_CR   | Write-only | N / A      |
| 0x04        | Master Mode Register              | TWI_MMR  | Read-write | 0x00000000 |
| 0x08        | Slave Mode Register               | TWI_SMR  | Read-write | 0x00000000 |
| 0x0C        | Internal Address Register         | TWI_IADR | Read-write | 0x00000000 |
| 0x10        | Clock Waveform Generator Register | TWI_CWGR | Read-write | 0x00000000 |
| 0x20        | Status Register                   | TWI_SR   | Read-only  | 0x0000F009 |
| 0x24        | Interrupt Enable Register         | TWI_IER  | Write-only | N / A      |
| 0x28        | Interrupt Disable Register        | TWI_IDR  | Write-only | N / A      |
| 0x2C        | Interrupt Mask Register           | TWI_IMR  | Read-only  | 0x00000000 |
| 0x30        | Receive Holding Register          | TWI_RHR  | Read-only  | 0x00000000 |
| 0x34        | Transmit Holding Register         | TWI_THR  | Write-only | 0x00000000 |
| 0x38 - 0xFC | Reserved                          | –        | –          | –          |
|             |                                   | –        | –          | –          |

### 30.10.1 TWI Control Register

Name: TWI\_CR

Access: Write-only

Reset Value: 0x00000000

|       |    |       |      |       |      |      |       |
|-------|----|-------|------|-------|------|------|-------|
| 31    | 30 | 29    | 28   | 27    | 26   | 25   | 24    |
| –     | –  | –     | –    | –     | –    | –    | –     |
| 23    | 22 | 21    | 20   | 19    | 18   | 17   | 16    |
| –     | –  | –     | –    | –     | –    | –    | –     |
| 15    | 14 | 13    | 12   | 11    | 10   | 9    | 8     |
| –     | –  | –     | –    | –     | –    | –    | –     |
| 7     | 6  | 5     | 4    | 3     | 2    | 1    | 0     |
| SWRST | –  | SVDIS | SVEN | MSDIS | MSEN | STOP | START |

- **START: Send a START Condition**

0 = No effect.

1 = A frame beginning with a START bit is transmitted according to the features defined in the mode register.

This action is necessary when the TWI peripheral wants to read data from a slave. When configured in Master Mode with a write operation, a frame is sent as soon as the user writes a character in the Transmit Holding Register (TWI\_THR).

- **STOP: Send a STOP Condition**

0 = No effect.

1 = STOP Condition is sent just after completing the current byte transmission in master read mode.

- In single data byte master read, the START and STOP must both be set.
- In multiple data bytes master read, the STOP must be set after the last data received but one.
- In master read mode, if a NACK bit is received, the STOP is automatically performed.
- In multiple data write operation, when both THR and shift register are empty, a STOP condition is automatically sent.

- **MSEN: TWI Master Mode Enabled**

0 = No effect.

1 = If MSDIS = 0, the master mode is enabled.

Note: Switching from Slave to Master mode is only permitted when TXCOMP = 1.

- **MSDIS: TWI Master Mode Disabled**

0 = No effect.

1 = The master mode is disabled, all pending data is transmitted. The shifter and holding characters (if it contains data) are transmitted in case of write operation. In read operation, the character being transferred must be completely received before disabling.

- **SVEN: TWI Slave Mode Enabled**

0 = No effect.

1 = If SVDIS = 0, the slave mode is enabled.

Note: Switching from Master to Slave mode is only permitted when TXCOMP = 1.

- **SVDIS: TWI Slave Mode Disabled**

0 = No effect.

1 = The slave mode is disabled. The shifter and holding characters (if it contains data) are transmitted in case of read operation. In write operation, the character being transferred must be completely received before disabling.

- **SWRST: Software Reset**

0 = No effect.

1 = Equivalent to a system reset.

### 30.10.2 TWI Master Mode Register

Name: TWI\_MMR

Access: Read-write

Reset Value: 0x00000000

|    |      |    |       |    |    |        |    |
|----|------|----|-------|----|----|--------|----|
| 31 | 30   | 29 | 28    | 27 | 26 | 25     | 24 |
| –  | –    | –  | –     | –  | –  | –      | –  |
| 23 | 22   | 21 | 20    | 19 | 18 | 17     | 16 |
| –  | DADR |    |       |    |    |        |    |
| 15 | 14   | 13 | 12    | 11 | 10 | 9      | 8  |
| –  | –    | –  | MREAD | –  | –  | IADRSZ |    |
| 7  | 6    | 5  | 4     | 3  | 2  | 1      | 0  |
| –  | –    | –  | –     | –  | –  | –      | –  |

- **IADRSZ: Internal Device Address Size**

| IADRSZ[9:8] |   |                                    |
|-------------|---|------------------------------------|
| 0           | 0 | No internal device address         |
| 0           | 1 | One-byte internal device address   |
| 1           | 0 | Two-byte internal device address   |
| 1           | 1 | Three-byte internal device address |

- **MREAD: Master Read Direction**

0 = Master write direction.

1 = Master read direction.

- **DADR: Device Address**

The device address is used to access slave devices in read or write mode. Those bits are only used in Master mode.



### 30.10.3 TWI Slave Mode Register

Name: TWI\_SMR

Access: Read-write

Reset Value: 0x00000000

|    |      |    |    |    |    |    |    |
|----|------|----|----|----|----|----|----|
| 31 | 30   | 29 | 28 | 27 | 26 | 25 | 24 |
| -  | -    | -  | -  | -  | -  | -  | -  |
| 23 | 22   | 21 | 20 | 19 | 18 | 17 | 16 |
| -  | SADR |    |    |    |    |    |    |
| 15 | 14   | 13 | 12 | 11 | 10 | 9  | 8  |
| -  | -    | -  | -  | -  | -  | -  | -  |
| 7  | 6    | 5  | 4  | 3  | 2  | 1  | 0  |
| -  | -    | -  | -  | -  | -  | -  | -  |

- **SADR: Slave Address**

The slave device address is used in Slave mode in order to be accessed by master devices in read or write mode.

SADR must be programmed before enabling the Slave mode or after a general call. Writes at other times have no effect.



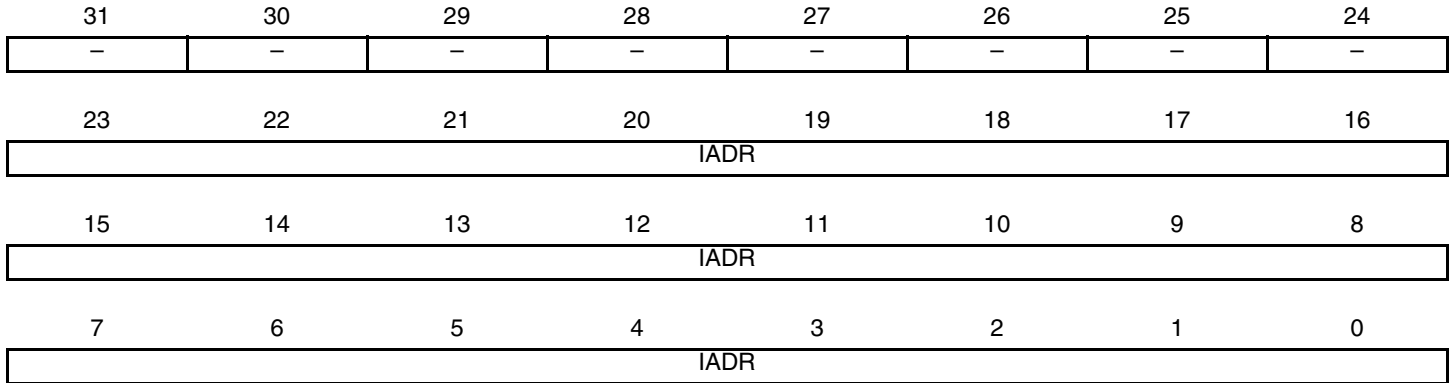


### 30.10.4 TWI Internal Address Register

Name: TWI\_IADR

Access: Read-write

Reset Value: 0x00000000



- **IADR: Internal Address**

0, 1, 2 or 3 bytes depending on IADRSZ.





### 30.10.5 TWI Clock Waveform Generator Register

Name: TWI\_CWGR

Access: Read-write

Reset Value: 0x00000000

|       |    |    |    |    |    |       |    |
|-------|----|----|----|----|----|-------|----|
| 31    | 30 | 29 | 28 | 27 | 26 | 25    | 24 |
| –     | –  | –  | –  | –  | –  | –     | –  |
| 23    | 22 | 21 | 20 | 19 | 18 | 17    | 16 |
|       |    |    |    |    |    | CKDIV |    |
| 15    | 14 | 13 | 12 | 11 | 10 | 9     | 8  |
| CHDIV |    |    |    |    |    |       |    |
| 7     | 6  | 5  | 4  | 3  | 2  | 1     | 0  |
| CLDIV |    |    |    |    |    |       |    |

TWI\_CWGR is only used in Master mode.

- **CLDIV: Clock Low Divider**

The SCL low period is defined as follows:

$$T_{low} = ((CLDIV \times 2^{CKDIV}) + 4) \times T_{MCK}$$

- **CHDIV: Clock High Divider**

The SCL high period is defined as follows:

$$T_{high} = ((CHDIV \times 2^{CKDIV}) + 4) \times T_{MCK}$$

- **CKDIV: Clock Divider**

The CKDIV is used to increase both SCL high and low periods.

### 30.10.6 TWI Status Register

Name: TWI\_SR

Access: Read-only

Reset Value: 0x0000F009

|    |      |      |       |        |       |        |        |
|----|------|------|-------|--------|-------|--------|--------|
| 31 | 30   | 29   | 28    | 27     | 26    | 25     | 24     |
| –  | –    | –    | –     | –      | –     | –      | –      |
| 23 | 22   | 21   | 20    | 19     | 18    | 17     | 16     |
| –  | –    | –    | –     | –      | –     | –      | –      |
| 15 | 14   | 13   | 12    | 11     | 10    | 9      | 8      |
|    |      |      |       | EOSACC | SCLWS | ARBLST | NACK   |
| 7  | 6    | 5    | 4     | 3      | 2     | 1      | 0      |
| –  | OVRE | GACC | SVACC | SVREAD | TXRDY | RXRDY  | TXCOMP |

- **TXCOMP: Transmission Completed (automatically set / reset)**

TXCOMP used in Master mode:

0 = During the length of the current frame.

1 = When both holding and shifter registers are empty and STOP condition has been sent.

*TXCOMP behavior in Master mode* can be seen in [Figure 30-8 on page 318](#) and in [Figure 30-10 on page 319](#).

TXCOMP used in Slave mode:

0 = As soon as a Start is detected.

1 = After a Stop or a Repeated Start + an address different from SADR is detected.

*TXCOMP behavior in Slave mode* can be seen in [Figure 30-27 on page 335](#), [Figure 30-28 on page 336](#), [Figure 30-29 on page 337](#) and [Figure 30-30 on page 337](#).

- **RXRDY: Receive Holding Register Ready (automatically set / reset)**

0 = No character has been received since the last TWI\_RHR read operation.

1 = A byte has been received in the TWI\_RHR since the last read.

*RXRDY behavior in Master mode* can be seen in [Figure 30-10 on page 319](#).

*RXRDY behavior in Slave mode* can be seen in [Figure 30-25 on page 333](#), [Figure 30-28 on page 336](#), [Figure 30-29 on page 337](#) and [Figure 30-30 on page 337](#).

- **TXRDY: Transmit Holding Register Ready (automatically set / reset)**

TXRDY used in Master mode:

0 = The transmit holding register has not been transferred into shift register. Set to 0 when writing into TWI\_THR register.

1 = As soon as a data byte is transferred from TWI\_THR to internal shifter or if a NACK error is detected, TXRDY is set at the same time as TXCOMP and NACK. TXRDY is also set when MSEN is set (enable TWI).

*TXRDY behavior in Master mode* can be seen in [Figure 30-8 on page 318](#).

#### TXRDY used in Slave mode:

0 = As soon as data is written in the TWI\_THR, until this data has been transmitted and acknowledged (ACK or NACK).

1 = It indicates that the TWI\_THR is empty and that data has been transmitted and acknowledged.

If TXRDY is high and if a NACK has been detected, the transmission will be stopped. Thus when TRDY = NACK = 1, the programmer must not fill TWI\_THR to avoid losing it.

*TXRDY behavior in Slave mode* can be seen in [Figure 30-24 on page 333](#), [Figure 30-27 on page 335](#), [Figure 30-29 on page 337](#) and [Figure 30-30 on page 337](#).

- **SVREAD: Slave Read (automatically set / reset)**

This bit is only used in Slave mode. When SVACC is low (no Slave access has been detected) SVREAD is irrelevant.

0 = Indicates that a write access is performed by a Master.

1 = Indicates that a read access is performed by a Master.

*SVREAD behavior* can be seen in [Figure 30-24 on page 333](#), [Figure 30-25 on page 333](#), [Figure 30-29 on page 337](#) and [Figure 30-30 on page 337](#).

- **SVACC: Slave Access (automatically set / reset)**

This bit is only used in Slave mode.

0 = TWI is not addressed. SVACC is automatically cleared after a NACK or a STOP condition is detected.

1 = Indicates that the address decoding sequence has matched (A Master has sent SADR). SVACC remains high until a NACK or a STOP condition is detected.

*SVACC behavior* can be seen in [Figure 30-24 on page 333](#), [Figure 30-25 on page 333](#), [Figure 30-29 on page 337](#) and [Figure 30-30 on page 337](#).

- **GACC: General Call Access (clear on read)**

This bit is only used in Slave mode.

0 = No General Call has been detected.

1 = A General Call has been detected. After the detection of General Call, the programmer decoded the commands that follow and the programming sequence.

*GACC behavior* can be seen in [Figure 30-26 on page 334](#).

- **OVRE: Overrun Error (clear on read)**

This bit is only used in Master mode.

0 = TWI\_RHR has not been loaded while RXRDY was set

1 = TWI\_RHR has been loaded while RXRDY was set. Reset by read in TWI\_SR when TXCOMP is set.

- **NACK: Not Acknowledged (clear on read)**

#### NACK used in Master mode:

0 = Each data byte has been correctly received by the far-end side TWI slave component.

1 = A data byte has not been acknowledged by the slave component. Set at the same time as TXCOMP.

NACK used in Slave Read mode:

0 = Each data byte has been correctly received by the Master.

1 = In read mode, a data byte has not been acknowledged by the Master. When NACK is set the programmer must not fill TWI\_THR even if TXRDY is set, because it means that the Master will stop the data transfer or re initiate it.

Note that in Slave Write mode all data are acknowledged by the TWI.

- **ARBLST: Arbitration Lost (clear on read)**

This bit is only used in Master mode.

0: Arbitration won.

1: Arbitration lost. Another master of the TWI bus has won the multi-master arbitration. TXCOMP is set at the same time.

- **SCLWS: Clock Wait State (automatically set / reset)**

This bit is only used in Slave mode.

0 = The clock is not stretched.

1 = The clock is stretched. TWI\_THR / TWI\_RHR buffer is not filled / emptied before the emission / reception of a new character.

*SCLWS behavior* can be seen in [Figure 30-27 on page 335](#) and [Figure 30-28 on page 336](#).

- **EOSACC: End Of Slave Access (clear on read)**

This bit is only used in Slave mode.

0 = A slave access is being performing.

1 = The Slave Access is finished. End Of Slave Access is automatically set as soon as SVACC is reset.

*EOSACC behavior* can be seen in [Figure 30-29 on page 337](#) and [Figure 30-30 on page 337](#)

### 30.10.7 TWI Interrupt Enable Register

Name: TWI\_IER

Access: Write-only

Reset Value: 0x00000000

|    |      |      |       |        |        |        |        |
|----|------|------|-------|--------|--------|--------|--------|
| 31 | 30   | 29   | 28    | 27     | 26     | 25     | 24     |
| –  | –    | –    | –     | –      | –      | –      | –      |
| 23 | 22   | 21   | 20    | 19     | 18     | 17     | 16     |
| –  | –    | –    | –     | –      | –      | –      | –      |
| 15 | 14   | 13   | 12    | 11     | 10     | 9      | 8      |
|    |      |      |       | EOSACC | SCL_WS | ARBLST | NACK   |
| 7  | 6    | 5    | 4     | 3      | 2      | 1      | 0      |
| –  | OVRE | GACC | SVACC | –      | TXRDY  | RXRDY  | TXCOMP |

- **TXCOMP: Transmission Completed Interrupt Enable**
- **RXRDY: Receive Holding Register Ready Interrupt Enable**
- **TXRDY: Transmit Holding Register Ready Interrupt Enable**
- **SVACC: Slave Access Interrupt Enable**
- **GACC: General Call Access Interrupt Enable**
- **OVRE: Overrun Error Interrupt Enable**
- **NACK: Not Acknowledge Interrupt Enable**
- **ARBLST: Arbitration Lost Interrupt Enable**
- **SCL\_WS: Clock Wait State Interrupt Enable**
- **EOSACC: End Of Slave Access Interrupt Enable**

0 = No effect.

1 = Enables the corresponding interrupt.

### 30.10.8 TWI Interrupt Disable Register

Name: TWI\_IDR

Access: Write-only

Reset Value: 0x00000000

|    |      |      |       |        |        |        |        |
|----|------|------|-------|--------|--------|--------|--------|
| 31 | 30   | 29   | 28    | 27     | 26     | 25     | 24     |
| –  | –    | –    | –     | –      | –      | –      | –      |
| 23 | 22   | 21   | 20    | 19     | 18     | 17     | 16     |
| –  | –    | –    | –     | –      | –      | –      | –      |
| 15 | 14   | 13   | 12    | 11     | 10     | 9      | 8      |
|    |      |      |       | EOSACC | SCL_WS | ARBLST | NACK   |
| 7  | 6    | 5    | 4     | 3      | 2      | 1      | 0      |
| –  | OVRE | GACC | SVACC | –      | TXRDY  | RXRDY  | TXCOMP |

- **TXCOMP:** Transmission Completed Interrupt Disable
- **RXRDY:** Receive Holding Register Ready Interrupt Disable
- **TXRDY:** Transmit Holding Register Ready Interrupt Disable
- **SVACC:** Slave Access Interrupt Disable
- **GACC:** General Call Access Interrupt Disable
- **OVRE:** Overrun Error Interrupt Disable
- **NACK:** Not Acknowledge Interrupt Disable
- **ARBLST:** Arbitration Lost Interrupt Disable
- **SCL\_WS:** Clock Wait State Interrupt Disable
- **EOSACC:** End Of Slave Access Interrupt Disable

0 = No effect.

1 = Disables the corresponding interrupt.

### 30.10.9 TWI Interrupt Mask Register

Name: TWI\_IMR

Access: Read-only

Reset Value: 0x00000000

|    |      |      |       |        |        |        |        |
|----|------|------|-------|--------|--------|--------|--------|
| 31 | 30   | 29   | 28    | 27     | 26     | 25     | 24     |
| –  | –    | –    | –     | –      | –      | –      | –      |
| 23 | 22   | 21   | 20    | 19     | 18     | 17     | 16     |
| –  | –    | –    | –     | –      | –      | –      | –      |
| 15 | 14   | 13   | 12    | 11     | 10     | 9      | 8      |
|    |      |      |       | EOSACC | SCL_WS | ARBLST | NACK   |
| 7  | 6    | 5    | 4     | 3      | 2      | 1      | 0      |
| –  | OVRE | GACC | SVACC | –      | TXRDY  | RXRDY  | TXCOMP |

- **TXCOMP: Transmission Completed Interrupt Mask**
- **RXRDY: Receive Holding Register Ready Interrupt Mask**
- **TXRDY: Transmit Holding Register Ready Interrupt Mask**
- **SVACC: Slave Access Interrupt Mask**
- **GACC: General Call Access Interrupt Mask**
- **OVRE: Overrun Error Interrupt Mask**
- **NACK: Not Acknowledge Interrupt Mask**
- **ARBLST: Arbitration Lost Interrupt Mask**
- **SCL\_WS: Clock Wait State Interrupt Mask**
- **EOSACC: End Of Slave Access Interrupt Mask**

0 = The corresponding interrupt is disabled.

1 = The corresponding interrupt is enabled.



### 30.10.10 TWI Receive Holding Register

Name: TWI\_RHR

Access: Read-only

Reset Value: 0x00000000

|        |    |    |    |    |    |    |    |
|--------|----|----|----|----|----|----|----|
| 31     | 30 | 29 | 28 | 27 | 26 | 25 | 24 |
| -      | -  | -  | -  | -  | -  | -  | -  |
| 23     | 22 | 21 | 20 | 19 | 18 | 17 | 16 |
| -      | -  | -  | -  | -  | -  | -  | -  |
| 15     | 14 | 13 | 12 | 11 | 10 | 9  | 8  |
| -      | -  | -  | -  | -  | -  | -  | -  |
| 7      | 6  | 5  | 4  | 3  | 2  | 1  | 0  |
| RXDATA |    |    |    |    |    |    |    |

- RXDATA: Master or Slave Receive Holding Data

### 30.10.11 TWI Transmit Holding Register

Name: TWI\_THR

Access: Read-write

Reset Value: 0x00000000

|        |    |    |    |    |    |    |    |
|--------|----|----|----|----|----|----|----|
| 31     | 30 | 29 | 28 | 27 | 26 | 25 | 24 |
| -      | -  | -  | -  | -  | -  | -  | -  |
| 23     | 22 | 21 | 20 | 19 | 18 | 17 | 16 |
| -      | -  | -  | -  | -  | -  | -  | -  |
| 15     | 14 | 13 | 12 | 11 | 10 | 9  | 8  |
| -      | -  | -  | -  | -  | -  | -  | -  |
| 7      | 6  | 5  | 4  | 3  | 2  | 1  | 0  |
| TXDATA |    |    |    |    |    |    |    |

- TXDATA: Master or Slave Transmit Holding Data





## **31. Universal Synchronous Asynchronous Receiver Transceiver (USART)**

### **31.1 Overview**

The Universal Synchronous Asynchronous Receiver Transceiver (USART) provides one full duplex universal synchronous asynchronous serial link. Data frame format is widely programmable (data length, parity, number of stop bits) to support a maximum of standards. The receiver implements parity error, framing error and overrun error detection. The receiver time-out enables handling variable-length frames and the transmitter timeguard facilitates communications with slow remote devices. Multidrop communications are also supported through address bit handling in reception and transmission.

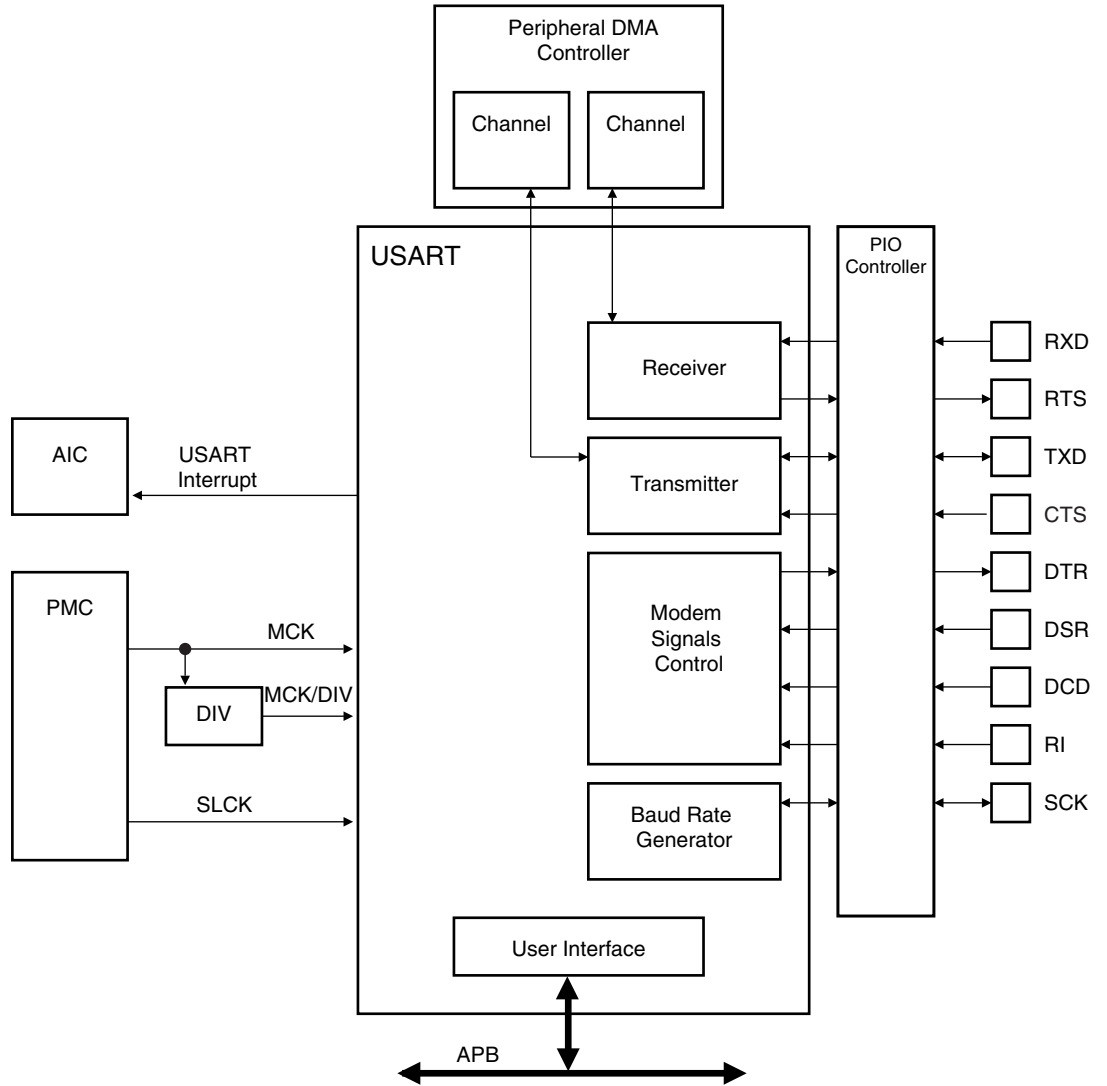
The USART features three test modes: remote loopback, local loopback and automatic echo.

The USART supports specific operating modes providing interfaces on RS485 buses, with ISO7816 T = 0 or T = 1 smart card slots, and infrared transceivers and connection to modem ports. The hardware handshaking feature enables an out-of-band flow control by automatic management of the pins RTS and CTS.

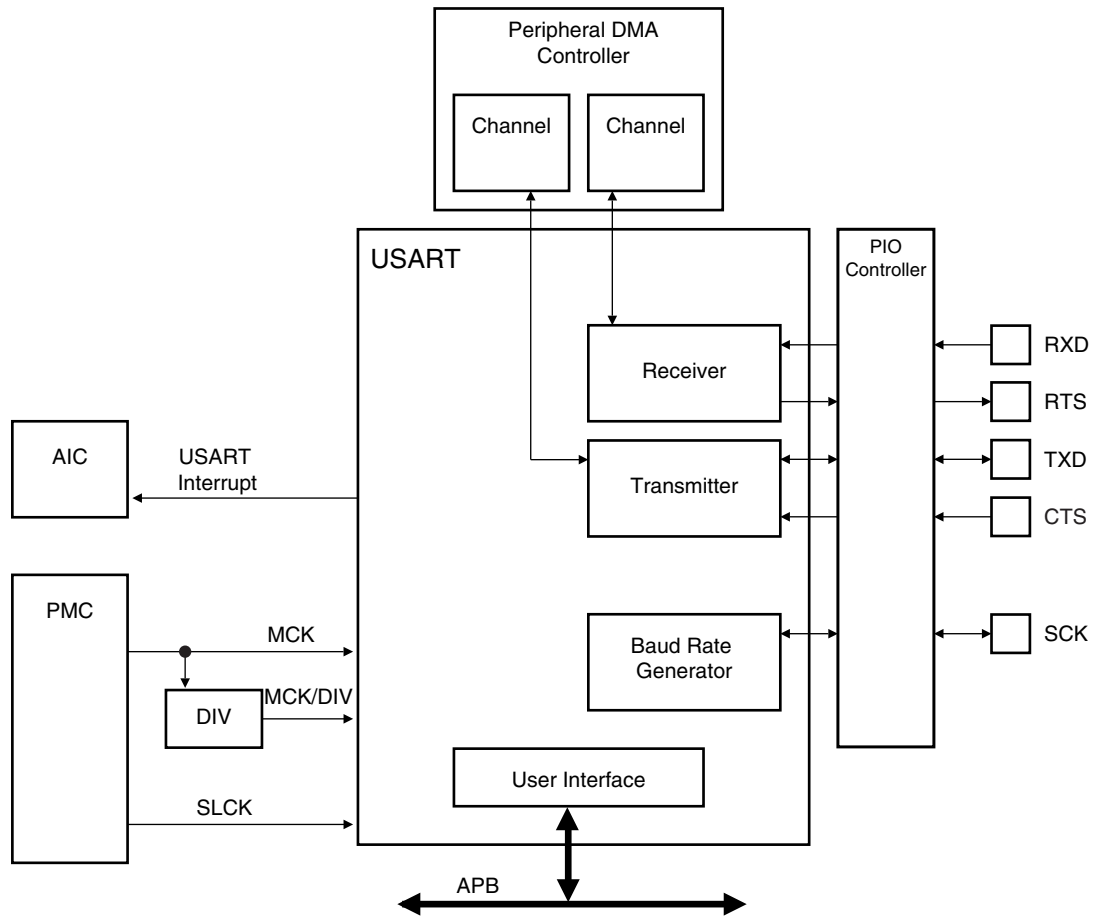
The USART supports the connection to the Peripheral DMA Controller, which enables data transfers to the transmitter and from the receiver. The PDC provides chained buffer management without any intervention of the processor.

## 31.2 Block Diagram

Figure 31-1. AT91SAM7S512/256/128/64/321/161 USART Block Diagram

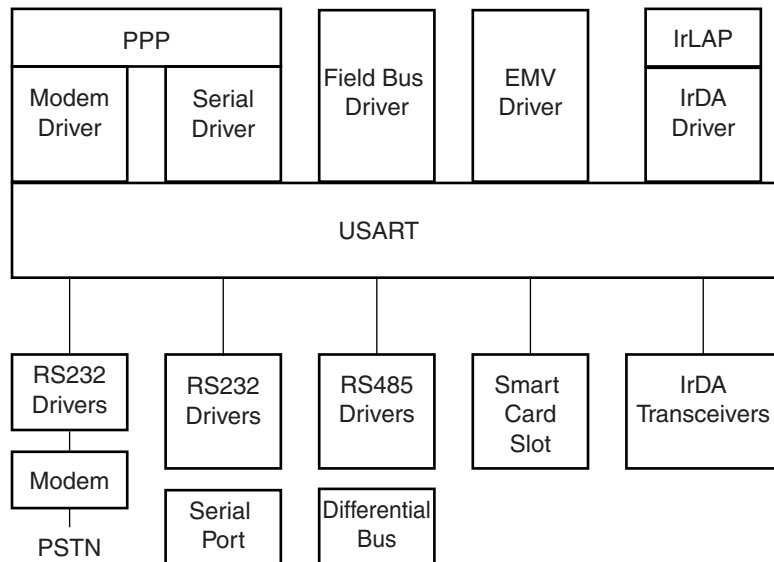


**Figure 31-2.** AT91SAM7S32/16 USART Block Diagram

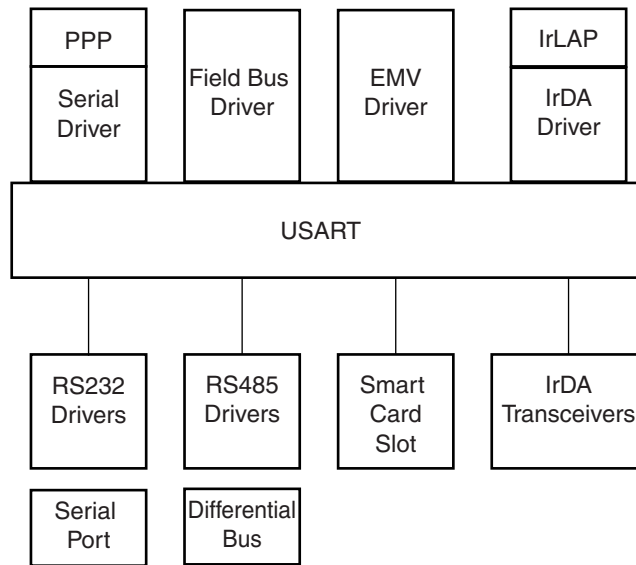


## 31.3 Application Block Diagram

**Figure 31-3.** AT91SAM7S512/256/128/64/321/161 Application Block Diagram



**Figure 31-4.** AT91SAM7S32/16 Application Block Diagram



### 31.4 I/O Lines Description

**Table 31-1.** I/O Line Description

| Name               | Description          | Type   | Active Level |
|--------------------|----------------------|--------|--------------|
| SCK                | Serial Clock         | I/O    |              |
| TXD                | Transmit Serial Data | I/O    |              |
| RXD                | Receive Serial Data  | Input  |              |
| RI <sup>(1)</sup>  | Ring Indicator       | Input  | Low          |
| DSR <sup>(1)</sup> | Data Set Ready       | Input  | Low          |
| DCD <sup>(1)</sup> | Data Carrier Detect  | Input  | Low          |
| DTR <sup>(1)</sup> | Data Terminal Ready  | Output | Low          |
| CTS                | Clear to Send        | Input  | Low          |
| RTS                | Request to Send      | Output | Low          |

Note: 1. Does not pertain to AT91SAM7S32/16

## 31.5 Product Dependencies

### 31.5.1 I/O Lines

The pins used for interfacing the USART may be multiplexed with the PIO lines. The programmer must first program the PIO controller to assign the desired USART pins to their peripheral function. If I/O lines of the USART are not used by the application, they can be used for other purposes by the PIO Controller.

To prevent the TXD line from falling when the USART is disabled, the use of an internal pull up is mandatory. If the hardware handshaking feature or Modem mode is used, the internal pull up on TXD must also be enabled.

All the pins of the modems may or may not be implemented on the USART. Only USART<sup>1</sup> is fully equipped with all the modem signals. On USARTs not equipped with the corresponding pin, the associated control bits and statuses have no effect on the behavior of the USART.

### 31.5.2 Power Management

The USART is not continuously clocked. The programmer must first enable the USART Clock in the Power Management Controller (PMC) before using the USART. However, if the application does not require USART operations, the USART clock can be stopped when not needed and be restarted later. In this case, the USART will resume its operations where it left off.

Configuring the USART does not require the USART clock to be enabled.

### 31.5.3 Interrupt

The USART interrupt line is connected on one of the internal sources of the Advanced Interrupt Controller. Using the USART interrupt requires the AIC to be programmed first. Note that it is not recommended to use the USART interrupt line in edge sensitive mode.

## 31.6 Functional Description

The USART is capable of managing several types of serial synchronous or asynchronous communications.

It supports the following communication modes:

- 5- to 9-bit full-duplex asynchronous serial communication
  - MSB- or LSB-first
  - 1, 1.5 or 2 stop bits
  - Parity even, odd, marked, space or none
  - By 8 or by 16 over-sampling receiver frequency
  - Optional hardware handshaking
  - Optional modem signals management (AT91SAM7S512/256/128/64/321/161)
  - Optional break management
  - Optional multidrop serial communication
- High-speed 5- to 9-bit full-duplex synchronous serial communication
  - MSB- or LSB-first
  - 1 or 2 stop bits
  - Parity even, odd, marked, space or none
  - By 8 or by 16 over-sampling frequency
  - Optional hardware handshaking
  - Optional modem signals management (AT91SAM7S512/256/128/64/321/161)
  - Optional break management
  - Optional multidrop serial communication
- RS485 with driver control signal
- ISO7816, T0 or T1 protocols for interfacing with smart cards
  - NACK handling, error counter with repetition and iteration limit
- InfraRed IrDA Modulation and Demodulation
- Test modes
  - Remote loopback, local loopback, automatic echo

### 31.6.1 Baud Rate Generator

The Baud Rate Generator provides the bit period clock named the Baud Rate Clock to both the receiver and the transmitter.

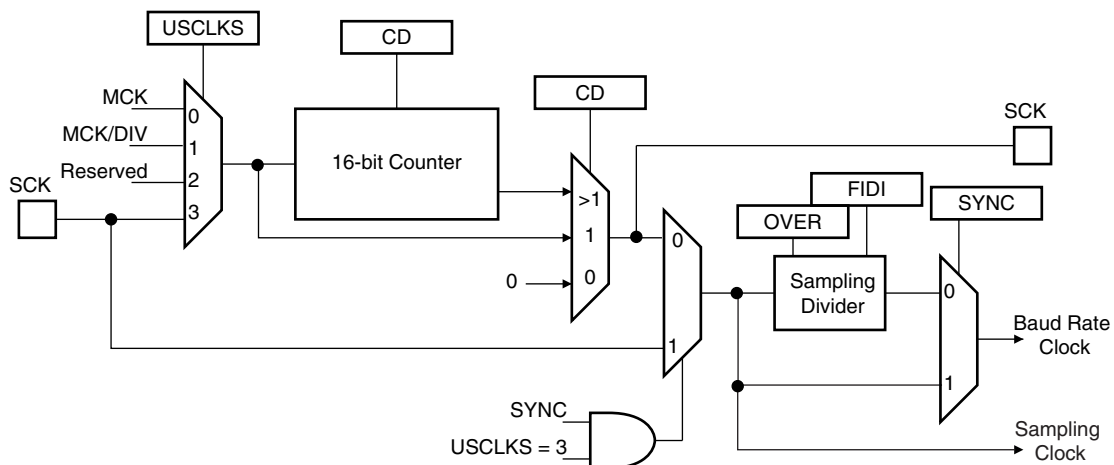
The Baud Rate Generator clock source can be selected by setting the USCLKS field in the Mode Register (US\_MR) between:

- the Master Clock MCK
- a division of the Master Clock, the divider being product dependent, but generally set to 8
- the external clock, available on the SCK pin

The Baud Rate Generator is based upon a 16-bit divider, which is programmed with the CD field of the Baud Rate Generator Register (US\_BRGR). If CD is programmed at 0, the Baud Rate Generator does not generate any clock. If CD is programmed at 1, the divider is bypassed and becomes inactive.

If the external SCK clock is selected, the duration of the low and high levels of the signal provided on the SCK pin must be longer than a Master Clock (MCK) period. The frequency of the signal provided on SCK must be at least 4.5 times lower than MCK.

**Figure 31-5.** Baud Rate Generator



### 31.6.1.1 Baud Rate in Asynchronous Mode

If the USART is programmed to operate in asynchronous mode, the selected clock is first divided by CD, which is field programmed in the Baud Rate Generator Register (US\_BRGR). The resulting clock is provided to the receiver as a sampling clock and then divided by 16 or 8, depending on the programming of the OVER bit in US\_MR.

If OVER is set to 1, the receiver sampling is 8 times higher than the baud rate clock. If OVER is cleared, the sampling is performed at 16 times the baud rate clock.

The following formula performs the calculation of the Baud Rate.

$$\text{Baudrate} = \frac{\text{SelectedClock}}{(8(2 - \text{Over})CD)}$$

This gives a maximum baud rate of MCK divided by 8, assuming that MCK is the highest possible clock and that OVER is programmed at 1.

### 31.6.1.2 Baud Rate Calculation Example

Table 31-2 shows calculations of CD to obtain a baud rate at 38400 bauds for different source clock frequencies. This table also shows the actual resulting baud rate and the error.

**Table 31-2.** Baud Rate Example (OVER = 0)

| Source Clock | Expected Baud Rate | Calculation Result | CD | Actual Baud Rate | Error |
|--------------|--------------------|--------------------|----|------------------|-------|
| MHz          | Bit/s              |                    |    | Bit/s            |       |
| 3 686 400    | 38 400             | 6.00               | 6  | 38 400.00        | 0.00% |
| 4 915 200    | 38 400             | 8.00               | 8  | 38 400.00        | 0.00% |
| 5 000 000    | 38 400             | 8.14               | 8  | 39 062.50        | 1.70% |
| 7 372 800    | 38 400             | 12.00              | 12 | 38 400.00        | 0.00% |

**Table 31-2.** Baud Rate Example (OVER = 0) (Continued)

| Source Clock | Expected Baud Rate | Calculation Result | CD | Actual Baud Rate | Error |
|--------------|--------------------|--------------------|----|------------------|-------|
| 8 000 000    | 38 400             | 13.02              | 13 | 38 461.54        | 0.16% |
| 12 000 000   | 38 400             | 19.53              | 20 | 37 500.00        | 2.40% |
| 12 288 000   | 38 400             | 20.00              | 20 | 38 400.00        | 0.00% |
| 14 318 180   | 38 400             | 23.30              | 23 | 38 908.10        | 1.31% |
| 14 745 600   | 38 400             | 24.00              | 24 | 38 400.00        | 0.00% |
| 18 432 000   | 38 400             | 30.00              | 30 | 38 400.00        | 0.00% |
| 24 000 000   | 38 400             | 39.06              | 39 | 38 461.54        | 0.16% |
| 24 576 000   | 38 400             | 40.00              | 40 | 38 400.00        | 0.00% |
| 25 000 000   | 38 400             | 40.69              | 40 | 38 109.76        | 0.76% |
| 32 000 000   | 38 400             | 52.08              | 52 | 38 461.54        | 0.16% |
| 32 768 000   | 38 400             | 53.33              | 53 | 38 641.51        | 0.63% |
| 33 000 000   | 38 400             | 53.71              | 54 | 38 194.44        | 0.54% |
| 40 000 000   | 38 400             | 65.10              | 65 | 38 461.54        | 0.16% |
| 50 000 000   | 38 400             | 81.38              | 81 | 38 580.25        | 0.47% |

The baud rate is calculated with the following formula:

$$\text{BaudRate} = \text{MCK} / \text{CD} \times 10$$

The baud rate error is calculated with the following formula. It is not recommended to work with an error higher than 5%.

$$\text{Error} = 1 - \left( \frac{\text{ExpectedBaudRate}}{\text{ActualBaudRate}} \right)$$

### 31.6.1.3 AT91SAM7S512/156/128 Fractional Baud Rate in Asynchronous Mode

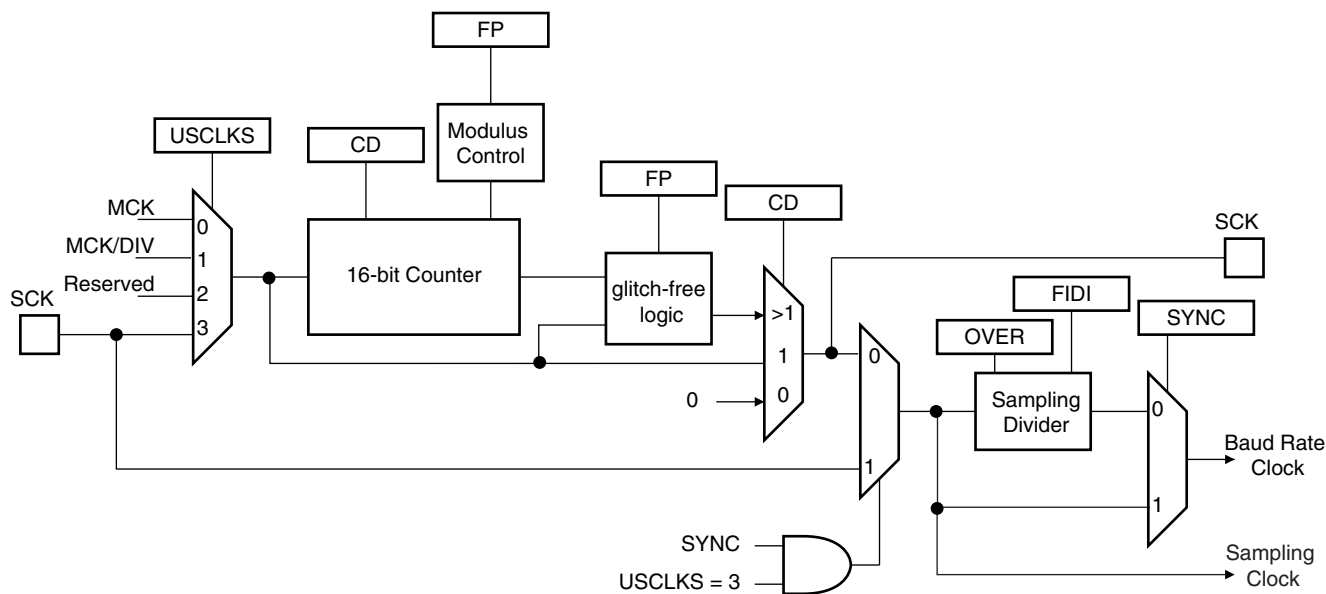
The Baud Rate generator previously defined is subject to the following limitation: the output frequency changes by only integer multiples of the reference frequency. An approach to this problem is to integrate a fractional N clock generator that has a high resolution. The generator architecture is modified to obtain Baud Rate changes by a fraction of the reference source clock. This fractional part is programmed with the FP field in the Baud Rate Generator Register (US\_BRGR). If FP is not 0, the fractional part is activated. The resolution is one eighth of the clock divider. This feature is only available when using USART normal mode. The fractional Baud Rate is calculated using the following formula:

$$\text{Baudrate} = \frac{\text{SelectedClock}}{\left( 8(2 - \text{Over}) \left( \text{CD} + \frac{\text{FP}}{8} \right) \right)}$$

The modified architecture is presented below:



**Figure 31-6.** AT91SAM7S512/256/128 Fractional Baud Rate Generator



### 31.6.1.4 Baud Rate in Synchronous Mode

If the USART is programmed to operate in synchronous mode, the selected clock is simply divided by the field CD in US\_BRGR.

$$\text{BaudRate} = \frac{\text{SelectedClock}}{CD}$$

In synchronous mode, if the external clock is selected (USCLKS = 3), the clock is provided directly by the signal on the USART SCK pin. No division is active. The value written in US\_BRGR has no effect. The external clock frequency must be at least 4.5 times lower than the system clock.

When either the external clock SCK or the internal clock divided (MCK/DIV) is selected, the value programmed in CD must be even if the user has to ensure a 50:50 mark/space ratio on the SCK pin. If the internal clock MCK is selected, the Baud Rate Generator ensures a 50:50 duty cycle on the SCK pin, even if the value programmed in CD is odd.

### 31.6.1.5 Baud Rate in ISO 7816 Mode

The ISO7816 specification defines the bit rate with the following formula:

$$B = \frac{D_i}{F_i} \times f$$

where:

- B is the bit rate
- $D_i$  is the bit-rate adjustment factor
- $F_i$  is the clock frequency division factor
- f is the ISO7816 clock frequency (Hz)

Di is a binary value encoded on a 4-bit field, named DI, as represented in [Table 31-3](#).

**Table 31-3.** Binary and Decimal Values for Di

|              |      |      |      |      |      |      |      |      |
|--------------|------|------|------|------|------|------|------|------|
| DI field     | 0001 | 0010 | 0011 | 0100 | 0101 | 0110 | 1000 | 1001 |
| Di (decimal) | 1    | 2    | 4    | 8    | 16   | 32   | 12   | 20   |

Fi is a binary value encoded on a 4-bit field, named FI, as represented in [Table 31-4](#).

**Table 31-4.** Binary and Decimal Values for Fi

|              |      |      |      |      |      |      |      |      |      |      |      |      |
|--------------|------|------|------|------|------|------|------|------|------|------|------|------|
| FI field     | 0000 | 0001 | 0010 | 0011 | 0100 | 0101 | 0110 | 1001 | 1010 | 1011 | 1100 | 1101 |
| Fi (decimal) | 372  | 372  | 558  | 744  | 1116 | 1488 | 1860 | 512  | 768  | 1024 | 1536 | 2048 |

[Table 31-5](#) shows the resulting Fi/Di Ratio, which is the ratio between the ISO7816 clock and the baud rate clock.

**Table 31-5.** Possible Values for the Fi/Di Ratio

|       |       |       |       |       |      |       |       |      |       |      |       |
|-------|-------|-------|-------|-------|------|-------|-------|------|-------|------|-------|
| Fi/Di | 372   | 558   | 774   | 1116  | 1488 | 1806  | 512   | 768  | 1024  | 1536 | 2048  |
| 1     | 372   | 558   | 744   | 1116  | 1488 | 1860  | 512   | 768  | 1024  | 1536 | 2048  |
| 2     | 186   | 279   | 372   | 558   | 744  | 930   | 256   | 384  | 512   | 768  | 1024  |
| 4     | 93    | 139.5 | 186   | 279   | 372  | 465   | 128   | 192  | 256   | 384  | 512   |
| 8     | 46.5  | 69.75 | 93    | 139.5 | 186  | 232.5 | 64    | 96   | 128   | 192  | 256   |
| 16    | 23.25 | 34.87 | 46.5  | 69.75 | 93   | 116.2 | 32    | 48   | 64    | 96   | 128   |
| 32    | 11.62 | 17.43 | 23.25 | 34.87 | 46.5 | 58.13 | 16    | 24   | 32    | 48   | 64    |
| 12    | 31    | 46.5  | 62    | 93    | 124  | 155   | 42.66 | 64   | 85.33 | 128  | 170.6 |
| 20    | 18.6  | 27.9  | 37.2  | 55.8  | 74.4 | 93    | 25.6  | 38.4 | 51.2  | 76.8 | 102.4 |

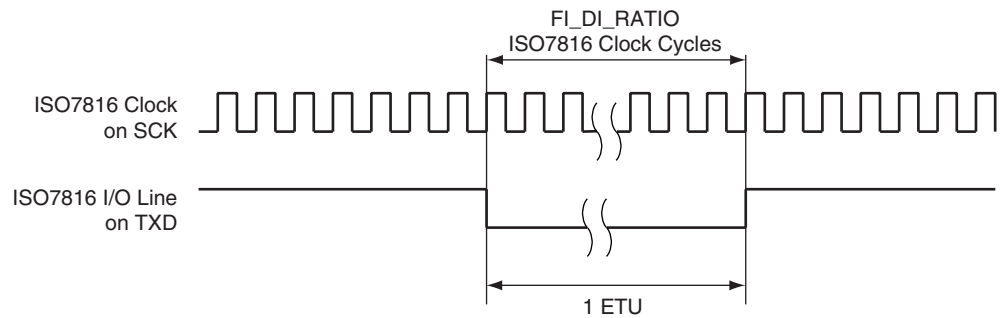
If the USART is configured in ISO7816 Mode, the clock selected by the USCLKS field in the Mode Register (US\_MR) is first divided by the value programmed in the field CD in the Baud Rate Generator Register (US\_BRGR). The resulting clock can be provided to the SCK pin to feed the smart card clock inputs. This means that the CLKO bit can be set in US\_MR.

This clock is then divided by the value programmed in the FI\_DI\_RATIO field in the FI\_DI\_Ratio register (US\_FIDI). This is performed by the Sampling Divider, which performs a division by up to 2047 in ISO7816 Mode. The non-integer values of the Fi/Di Ratio are not supported and the user must program the FI\_DI\_RATIO field to a value as close as possible to the expected value.

The FI\_DI\_RATIO field resets to the value 0x174 (372 in decimal) and is the most common divider between the ISO7816 clock and the bit rate (Fi = 372, Di = 1).

[Figure 31-7](#) shows the relation between the Elementary Time Unit, corresponding to a bit time, and the ISO 7816 clock.

**Figure 31-7.** Elementary Time Unit (ETU)



## 31.6.2 Receiver and Transmitter Control

After reset, the receiver is disabled. The user must enable the receiver by setting the RXEN bit in the Control Register (US\_CR). However, the receiver registers can be programmed before the receiver clock is enabled.

After reset, the transmitter is disabled. The user must enable it by setting the TXEN bit in the Control Register (US\_CR). However, the transmitter registers can be programmed before being enabled.

The Receiver and the Transmitter can be enabled together or independently.

At any time, the software can perform a reset on the receiver or the transmitter of the USART by setting the corresponding bit, RSTRX and RSTTX respectively, in the Control Register (US\_CR). The software resets clear the status flag and reset internal state machines but the user interface configuration registers hold the value configured prior to software reset. Regardless of what the receiver or the transmitter is performing, the communication is immediately stopped.

The user can also independently disable the receiver or the transmitter by setting RXDIS and TXDIS respectively in US\_CR. If the receiver is disabled during a character reception, the USART waits until the end of reception of the current character, then the reception is stopped. If the transmitter is disabled while it is operating, the USART waits the end of transmission of both the current character and character being stored in the Transmit Holding Register (US\_THR). If a timeguard is programmed, it is handled normally.

## 31.6.3 Synchronous and Asynchronous Modes

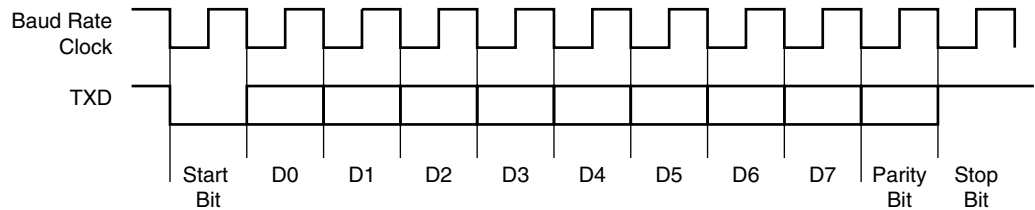
### 31.6.3.1 Transmitter Operations

The transmitter performs the same in both synchronous and asynchronous operating modes (SYNC = 0 or SYNC = 1). One start bit, up to 9 data bits, one optional parity bit and up to two stop bits are successively shifted out on the TXD pin at each falling edge of the programmed serial clock.

The number of data bits is selected by the CHRL field and the MODE 9 bit in the Mode Register (US\_MR). Nine bits are selected by setting the MODE 9 bit regardless of the CHRL field. The parity bit is set according to the PAR field in US\_MR. The even, odd, space, marked or none parity bit can be configured. The MSBF field in US\_MR configures which data bit is sent first. If written at 1, the most significant bit is sent first. At 0, the less significant bit is sent first. The number of stop bits is selected by the NBSTOP field in US\_MR. The 1.5 stop bit is supported in asynchronous mode only.

**Figure 31-8.** Character Transmit

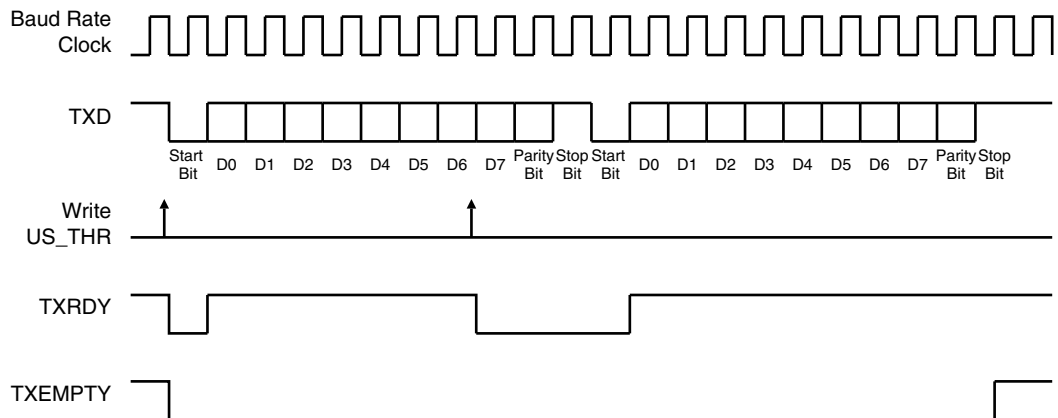
Example: 8-bit, Parity Enabled One Stop



The characters are sent by writing in the Transmit Holding Register (US\_THR). The transmitter reports two status bits in the Channel Status Register (US\_CSR): TXRDY (Transmitter Ready), which indicates that US\_THR is empty and TXEMPTY, which indicates that all the characters written in US\_THR have been processed. When the current character processing is completed, the last character written in US\_THR is transferred into the Shift Register of the transmitter and US\_THR becomes empty, thus TXRDY raises.

Both TXRDY and TXEMPTY bits are low when the transmitter is disabled. Writing a character in US\_THR while TXRDY is low has no effect and the written character is lost.

**Figure 31-9.** Transmitter Status



### 31.6.3.2 Asynchronous Receiver

If the USART is programmed in asynchronous operating mode (SYNC = 0), the receiver oversamples the RXD input line. The oversampling is either 16 or 8 times the Baud Rate clock, depending on the OVER bit in the Mode Register (US\_MR).

The receiver samples the RXD line. If the line is sampled during one half of a bit time at 0, a start bit is detected and data, parity and stop bits are successively sampled on the bit rate clock.

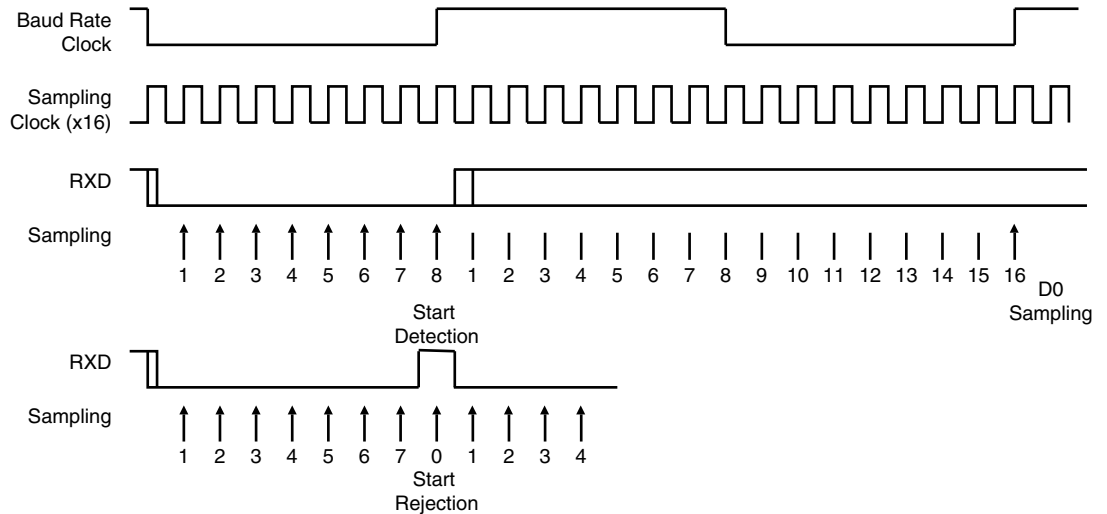
If the oversampling is 16, (OVER at 0), a start is detected at the eighth sample at 0. Then, data bits, parity bit and stop bit are sampled on each 16 sampling clock cycle. If the oversampling is 8 (OVER at 1), a start is detected at the fourth sample at 0. Then, data bits, parity bit and stop bit are sampled on each 8 sampling clock cycle.

The number of data bits, first bit sent and parity mode are selected by the same fields and bits as the transmitter, i.e. respectively CHRL, MODE9, MSBF and PAR. For the synchronization mechanism **only**, the number of stop bits has no effect on the receiver as it considers only one stop bit, regardless of the field NBSTOP, so that resynchronization between the receiver and the

transmitter can occur. Moreover, as soon as the stop bit is sampled, the receiver starts looking for a new start bit so that resynchronization can also be accomplished when the transmitter is operating with one stop bit.

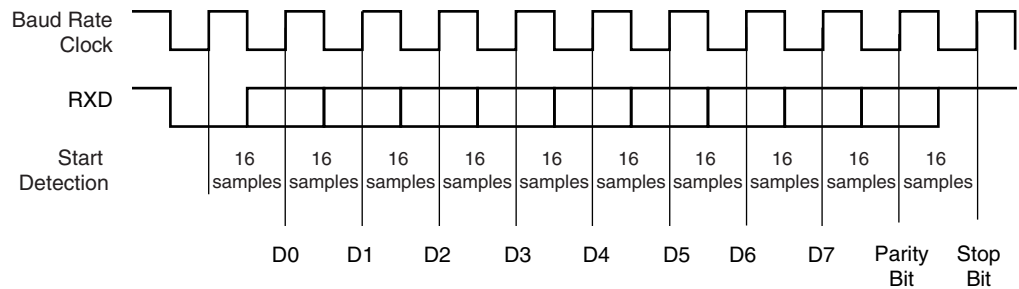
Figure 31-10 and Figure 31-11 illustrate start detection and character reception when USART operates in asynchronous mode.

**Figure 31-10. Asynchronous Start Detection**



**Figure 31-11. Asynchronous Character Reception**

Example: 8-bit, Parity Enabled



### 31.6.3.3 Synchronous Receiver

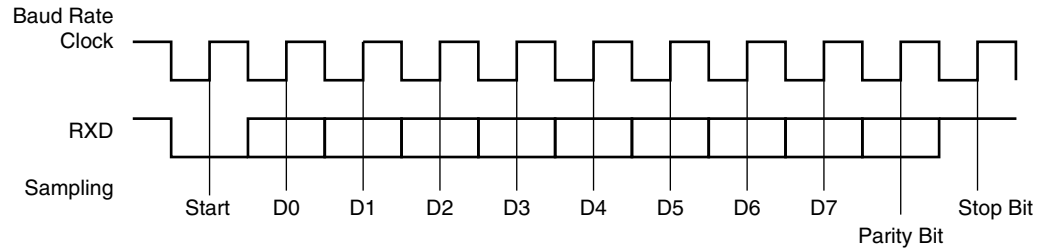
In synchronous mode (SYNC = 1), the receiver samples the RXD signal on each rising edge of the Baud Rate Clock. If a low level is detected, it is considered as a start. All data bits, the parity bit and the stop bits are sampled and the receiver waits for the next start bit. Synchronous mode operations provide a high speed transfer capability.

Configuration fields and bits are the same as in asynchronous mode.

Figure 31-12 illustrates a character reception in synchronous mode.

**Figure 31-12.** Synchronous Mode Character Reception

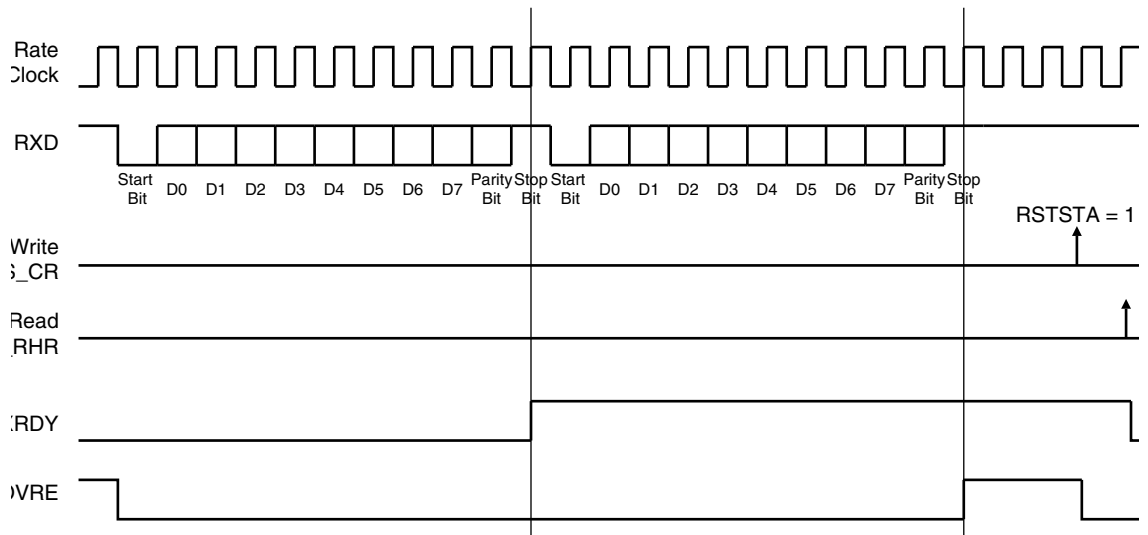
Example: 8-bit, Parity Enabled 1 Stop



31.6.3.4 Receiver Operations

When a character reception is completed, it is transferred to the Receive Holding Register (US\_RHR) and the RXRDY bit in the Status Register (US\_CSR) rises. If a character is completed while the RXRDY is set, the OVRE (Overrun Error) bit is set. The last character is transferred into US\_RHR and overwrites the previous one. The OVRE bit is cleared by writing the Control Register (US\_CR) with the RSTSTA (Reset Status) bit at 1.

**Figure 31-13.** Receiver Status



## 31.6.3.5 Parity

The USART supports five parity modes selected by programming the PAR field in the Mode Register (US\_MR). The PAR field also enables the Multidrop mode, see [“Multidrop Mode” on page 368](#). Even and odd parity bit generation and error detection are supported.

If even parity is selected, the parity generator of the transmitter drives the parity bit at 0 if a number of 1s in the character data bit is even, and at 1 if the number of 1s is odd. Accordingly, the receiver parity checker counts the number of received 1s and reports a parity error if the sampled parity bit does not correspond. If odd parity is selected, the parity generator of the transmitter drives the parity bit at 1 if a number of 1s in the character data bit is even, and at 0 if the number of 1s is odd. Accordingly, the receiver parity checker counts the number of received 1s and reports a parity error if the sampled parity bit does not correspond. If the mark parity is used, the parity generator of the transmitter drives the parity bit at 1 for all characters. The receiver parity checker reports an error if the parity bit is sampled at 0. If the space parity is used, the parity generator of the transmitter drives the parity bit at 0 for all characters. The receiver parity checker reports an error if the parity bit is sampled at 1. If parity is disabled, the transmitter does not generate any parity bit and the receiver does not report any parity error.

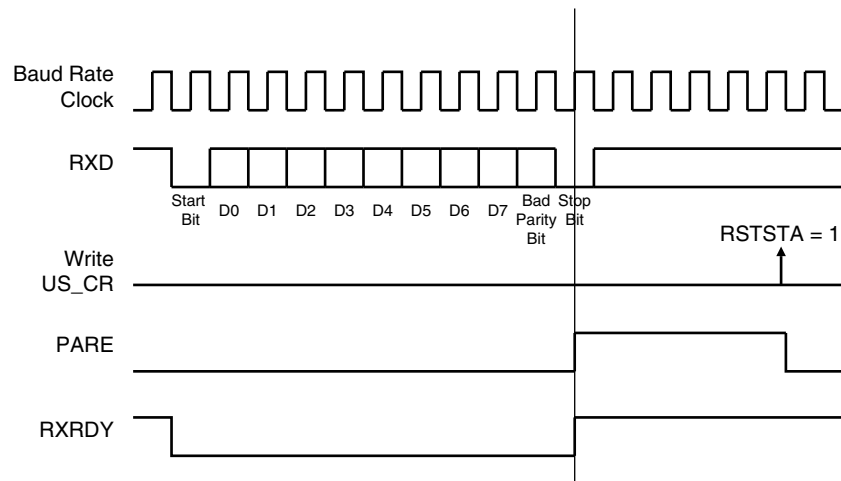
[Table 31-6](#) shows an example of the parity bit for the character 0x41 (character ASCII “A”) depending on the configuration of the USART. Because there are two bits at 1, 1 bit is added when a parity is odd, or 0 is added when a parity is even.

**Table 31-6.** Parity Bit Examples

| Character | Hexa | Binary    | Parity Bit | Parity Mode |
|-----------|------|-----------|------------|-------------|
| A         | 0x41 | 0100 0001 | 1          | Odd         |
| A         | 0x41 | 0100 0001 | 0          | Even        |
| A         | 0x41 | 0100 0001 | 1          | Mark        |
| A         | 0x41 | 0100 0001 | 0          | Space       |
| A         | 0x41 | 0100 0001 | None       | None        |

When the receiver detects a parity error, it sets the PARE (Parity Error) bit in the Channel Status Register (US\_CSR). The PARE bit can be cleared by writing the Control Register (US\_CR) with the RSTSTA bit at 1. [Figure 31-14](#) illustrates the parity bit status setting and clearing.

**Figure 31-14. Parity Error**



### 31.6.3.6 Multidrop Mode

If the PAR field in the Mode Register (US\_MR) is programmed to the value 0x6 or 0x07, the USART runs in Multidrop Mode. This mode differentiates the data characters and the address characters. Data is transmitted with the parity bit at 0 and addresses are transmitted with the parity bit at 1.

If the USART is configured in multidrop mode, the receiver sets the PARE parity error bit when the parity bit is high and the transmitter is able to send a character with the parity bit high when the Control Register is written with the SENDA bit at 1.

To handle parity error, the PARE bit is cleared when the Control Register is written with the bit RSTSTA at 1.

The transmitter sends an address byte (parity bit set) when SENDA is written to US\_CR. In this case, the next byte written to US\_THR is transmitted as an address. Any character written in US\_THR without having written the command SENDA is transmitted normally with the parity at 0.

### 31.6.3.7 Transmitter Timeguard

The timeguard feature enables the USART interface with slow remote devices.

The timeguard function enables the transmitter to insert an idle state on the TXD line between two characters. This idle state actually acts as a long stop bit.

The duration of the idle state is programmed in the TG field of the Transmitter Timeguard Register (US\_TTGR). When this field is programmed at zero no timeguard is generated. Otherwise, the transmitter holds a high level on TXD after each transmitted byte during the number of bit periods programmed in TG in addition to the number of stop bits.

As illustrated in [Figure 31-15](#), the behavior of TXRDY and TXEMPTY status bits is modified by the programming of a timeguard. TXRDY rises only when the start bit of the next character is sent, and thus remains at 0 during the timeguard transmission if a character has been written in US\_THR. TXEMPTY remains low until the timeguard transmission is completed as the timeguard is part of the current character being transmitted.



**Figure 31-15.** Timeguard Operations

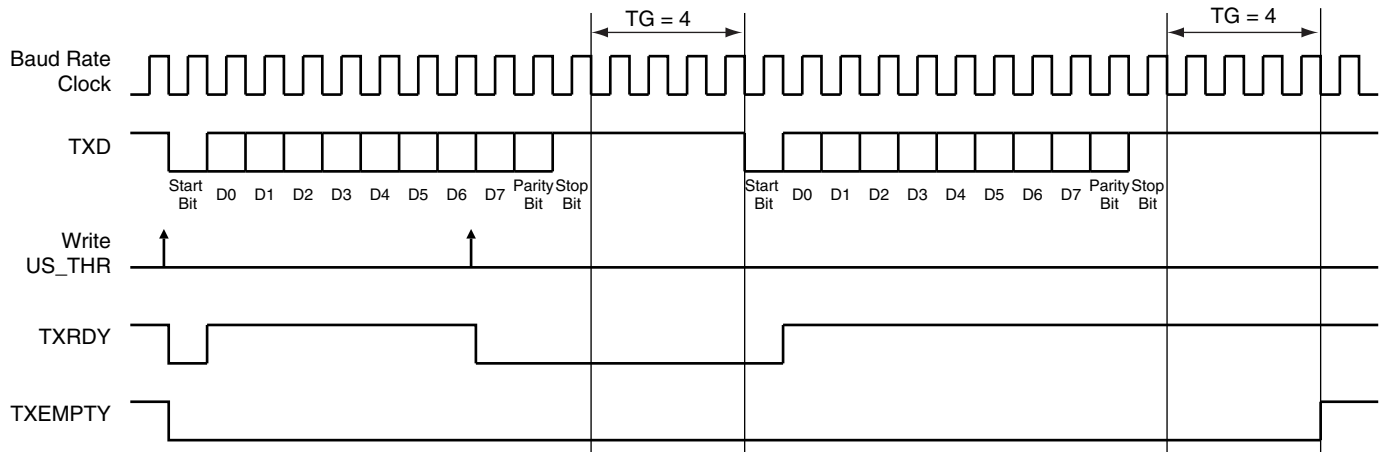


Table 31-7 indicates the maximum length of a timeguard period that the transmitter can handle in relation to the function of the Baud Rate.

**Table 31-7.** Maximum Timeguard Length Depending on Baud Rate

| Baud Rate | Bit time | Timeguard |
|-----------|----------|-----------|
| Bit/sec   | $\mu$ s  | ms        |
| 1 200     | 833      | 212.50    |
| 9 600     | 104      | 26.56     |
| 14400     | 69.4     | 17.71     |
| 19200     | 52.1     | 13.28     |
| 28800     | 34.7     | 8.85      |
| 33400     | 29.9     | 7.63      |
| 56000     | 17.9     | 4.55      |
| 57600     | 17.4     | 4.43      |
| 115200    | 8.7      | 2.21      |

### 31.6.3.8 Receiver Time-out

The Receiver Time-out provides support in handling variable-length frames. This feature detects an idle condition on the RXD line. When a time-out is detected, the bit TIMEOUT in the Channel Status Register (US\_CSR) rises and can generate an interrupt, thus indicating to the driver an end of frame.

The time-out delay period (during which the receiver waits for a new character) is programmed in the TO field of the Receiver Time-out Register (US\_RTOR). If the TO field is programmed at 0, the Receiver Time-out is disabled and no time-out is detected. The TIMEOUT bit in US\_CSR remains at 0. Otherwise, the receiver loads a 16-bit counter with the value programmed in TO. This counter is decremented at each bit period and reloaded each time a new character is received. If the counter reaches 0, the TIMEOUT bit in the Status Register rises. Then, the user can either:

- Stop the counter clock until a new character is received. This is performed by writing the Control Register (US\_CR) with the STTTO (Start Time-out) bit at 1. In this case, the idle state

on RXD before a new character is received will not provide a time-out. This prevents having to handle an interrupt before a character is received and allows waiting for the next idle state on RXD after a frame is received.

- Obtain an interrupt while no character is received. This is performed by writing US\_CR with the RETTO (Reload and Start Time-out) bit at 1. If RETTO is performed, the counter starts counting down immediately from the value TO. This enables generation of a periodic interrupt so that a user time-out can be handled, for example when no key is pressed on a keyboard.

If STTTO is performed, the counter clock is stopped until a first character is received. The idle state on RXD before the start of the frame does not provide a time-out. This prevents having to obtain a periodic interrupt and enables a wait of the end of frame when the idle state on RXD is detected.

If RETTO is performed, the counter starts counting down immediately from the value TO. This enables generation of a periodic interrupt so that a user time-out can be handled, for example when no key is pressed on a keyboard.

Figure 31-16 shows the block diagram of the Receiver Time-out feature.

**Figure 31-16.** Receiver Time-out Block Diagram

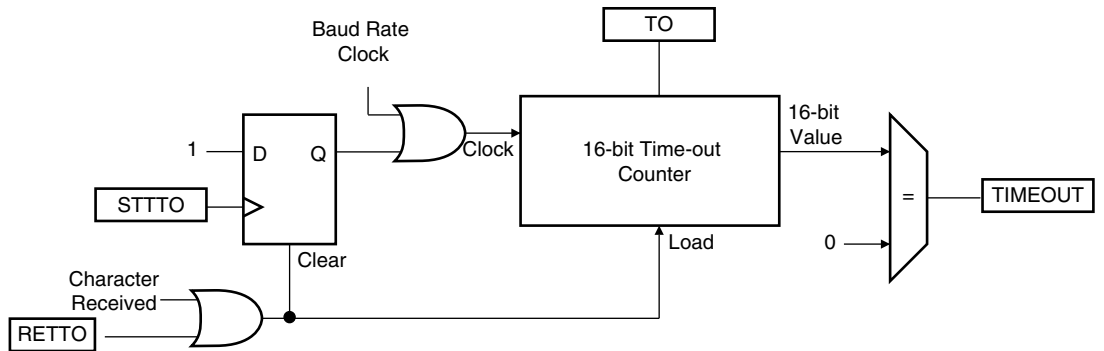


Table 31-8 gives the maximum time-out period for some standard baud rates.

**Table 31-8.** Maximum Time-out Period

| Baud Rate | Bit Time | Time-out |
|-----------|----------|----------|
| bit/sec   | $\mu$ s  | ms       |
| 600       | 1 667    | 109 225  |
| 1 200     | 833      | 54 613   |
| 2 400     | 417      | 27 306   |
| 4 800     | 208      | 13 653   |
| 9 600     | 104      | 6 827    |
| 14400     | 69       | 4 551    |
| 19200     | 52       | 3 413    |
| 28800     | 35       | 2 276    |
| 33400     | 30       | 1 962    |

**Table 31-8.** Maximum Time-out Period (Continued)

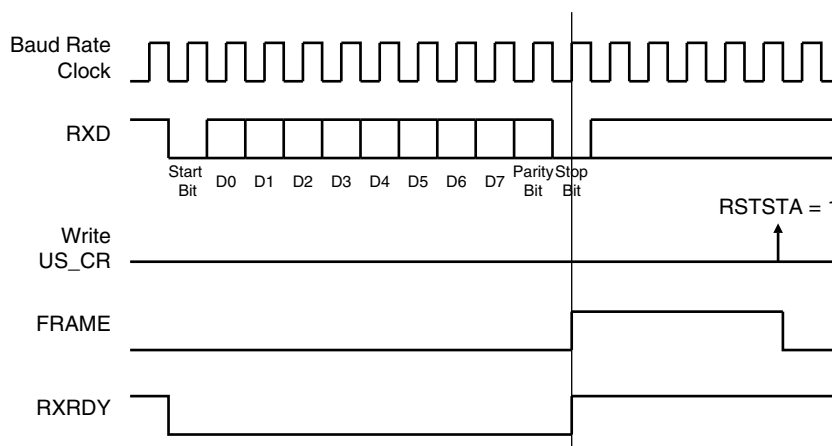
| Baud Rate | Bit Time | Time-out |
|-----------|----------|----------|
| 56000     | 18       | 1 170    |
| 57600     | 17       | 1 138    |
| 200000    | 5        | 328      |

### 31.6.3.9 Framing Error

The receiver is capable of detecting framing errors. A framing error happens when the stop bit of a received character is detected at level 0. This can occur if the receiver and the transmitter are fully desynchronized.

A framing error is reported on the FRAME bit of the Channel Status Register (US\_CSR). The FRAME bit is asserted in the middle of the stop bit as soon as the framing error is detected. It is cleared by writing the Control Register (US\_CR) with the RSTSTA bit at 1.

**Figure 31-17.** Framing Error Status



### 31.6.3.10 Transmit Break

The user can request the transmitter to generate a break condition on the TXD line. A break condition drives the TXD line low during at least one complete character. It appears the same as a 0x00 character sent with the parity and the stop bits at 0. However, the transmitter holds the TXD line at least during one character until the user requests the break condition to be removed.

A break is transmitted by writing the Control Register (US\_CR) with the STTBK bit at 1. This can be performed at any time, either while the transmitter is empty (no character in either the Shift Register or in US\_THR) or when a character is being transmitted. If a break is requested while a character is being shifted out, the character is first completed before the TXD line is held low.

Once STTBK command is requested further STTBK commands are ignored until the end of the break is completed.

The break condition is removed by writing US\_CR with the STPBK bit at 1. If the STPBK is requested before the end of the minimum break duration (one character, including start, data, parity and stop bits), the transmitter ensures that the break condition completes.

The transmitter considers the break as though it is a character, i.e. the STTBRK and STPBRK commands are taken into account only if the TXRDY bit in US\_CSR is at 1 and the start of the break condition clears the TXRDY and TXEMPTY bits as if a character is processed.

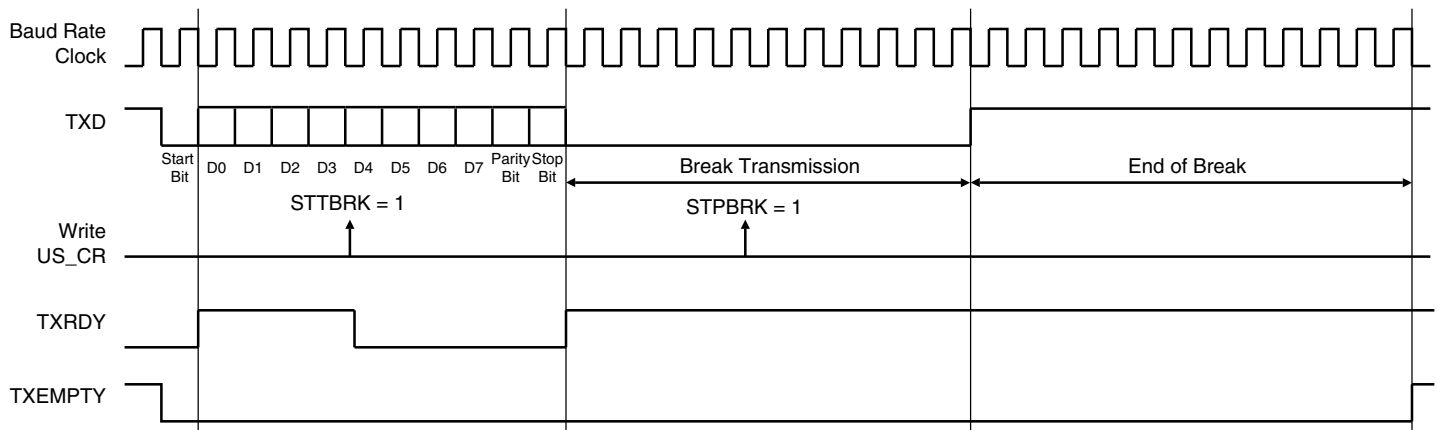
Writing US\_CR with the both STTBRK and STPBRK bits at 1 can lead to an unpredictable result. All STPBRK commands requested without a previous STTBRK command are ignored. A byte written into the Transmit Holding Register while a break is pending, but not started, is ignored.

After the break condition, the transmitter returns the TXD line to 1 for a minimum of 12 bit times. Thus, the transmitter ensures that the remote receiver detects correctly the end of break and the start of the next character. If the timeguard is programmed with a value higher than 12, the TXD line is held high for the timeguard period.

After holding the TXD line for this period, the transmitter resumes normal operations.

Figure 31-18 illustrates the effect of both the Start Break (STTBRK) and Stop Break (STPBRK) commands on the TXD line.

**Figure 31-18.** Break Transmission



### 31.6.3.11 Receive Break

The receiver detects a break condition when all data, parity and stop bits are low. This corresponds to detecting a framing error with data at 0x00, but FRAME remains low.

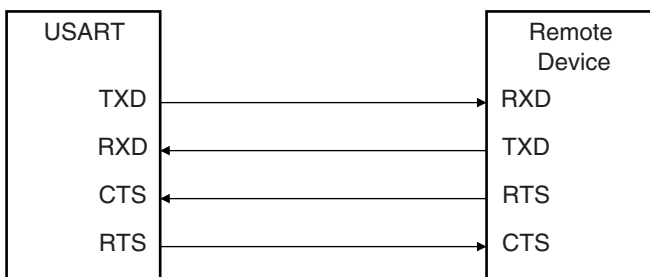
When the low stop bit is detected, the receiver asserts the RXBRK bit in US\_CSR. This bit may be cleared by writing the Control Register (US\_CR) with the bit RSTSTA at 1.

An end of receive break is detected by a high level for at least 2/16 of a bit period in asynchronous operating mode or one sample at high level in synchronous operating mode. The end of break detection also asserts the RXBRK bit.

### 31.6.3.12 Hardware Handshaking

The USART features a hardware handshaking out-of-band flow control. The RTS and CTS pins are used to connect with the remote device, as shown in Figure 31-19.

**Figure 31-19.** Connection with a Remote Device for Hardware Handshaking



Setting the USART to operate with hardware handshaking is performed by writing the USART\_MODE field in the Mode Register (US\_MR) to the value 0x2.

The USART behavior when hardware handshaking is enabled is the same as the behavior in standard synchronous or asynchronous mode, except that the receiver drives the RTS pin as described below and the level on the CTS pin modifies the behavior of the transmitter as described below. Using this mode requires using the PDC channel for reception. The transmitter can handle hardware handshaking in any case.

Figure 31-20 shows how the receiver operates if hardware handshaking is enabled. The RTS pin is driven high if the receiver is disabled and if the status RXBUFF (Receive Buffer Full) coming from the PDC channel is high. Normally, the remote device does not start transmitting while its CTS pin (driven by RTS) is high. As soon as the Receiver is enabled, the RTS falls, indicating to the remote device that it can start transmitting. Defining a new buffer to the PDC clears the status bit RXBUFF and, as a result, asserts the pin RTS low.

**Figure 31-20.** Receiver Behavior when Operating with Hardware Handshaking

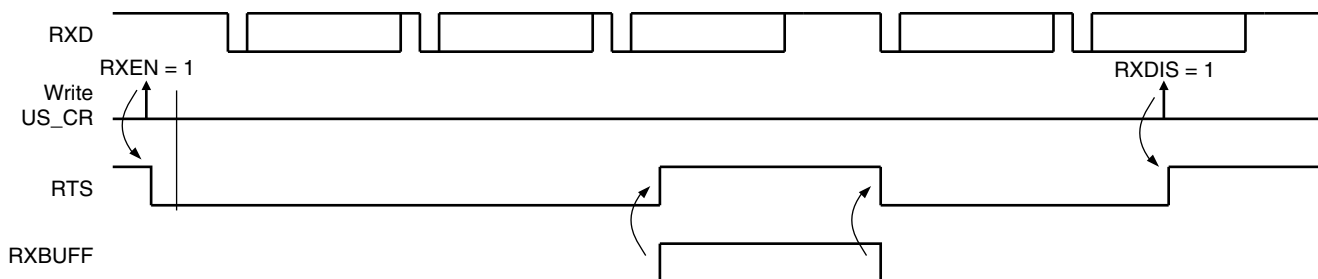


Figure 31-21 shows how the transmitter operates if hardware handshaking is enabled. The CTS pin disables the transmitter. If a character is being processing, the transmitter is disabled only after the completion of the current character and transmission of the next character happens as soon as the pin CTS falls.

**Figure 31-21.** Transmitter Behavior when Operating with Hardware Handshaking



### 31.6.4 ISO7816 Mode

The USART features an ISO7816-compatible operating mode. This mode permits interfacing with smart cards and Security Access Modules (SAM) communicating through an ISO7816 link. Both T = 0 and T = 1 protocols defined by the ISO7816 specification are supported.

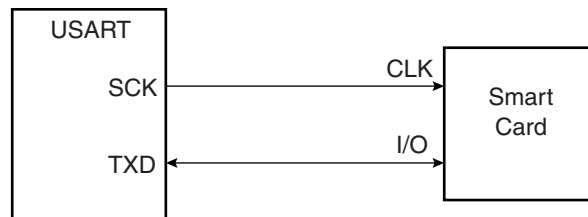
Setting the USART in ISO7816 mode is performed by writing the USART\_MODE field in the Mode Register (US\_MR) to the value 0x4 for protocol T = 0 and to the value 0x5 for protocol T = 1.

#### 31.6.4.1 ISO7816 Mode Overview

The ISO7816 is a half duplex communication on only one bidirectional line. The baud rate is determined by a division of the clock provided to the remote device (see [“Baud Rate Generator” on page 358](#)).

The USART connects to a smart card as shown in [Figure 31-22](#). The TXD line becomes bidirectional and the Baud Rate Generator feeds the ISO7816 clock on the SCK pin. As the TXD pin becomes bidirectional, its output remains driven by the output of the transmitter but only when the transmitter is active while its input is directed to the input of the receiver. The USART is considered as the master of the communication as it generates the clock.

**Figure 31-22.** Connection of a Smart Card to the USART



When operating in ISO7816, either in T = 0 or T = 1 modes, the character format is fixed. The configuration is 8 data bits, even parity and 1 or 2 stop bits, regardless of the values programmed in the CHRL, MODE9, PAR and CHMODE fields. MSBF can be used to transmit LSB or MSB first. Parity Bit (PAR) can be used to transmit in normal or inverse mode. Refer to [“USART Mode Register” on page 386](#) and [“PAR: Parity Type” on page 387](#).

The USART cannot operate concurrently in both receiver and transmitter modes as the communication is unidirectional at a time. It has to be configured according to the required mode by enabling or disabling either the receiver or the transmitter as desired. Enabling both the receiver and the transmitter at the same time in ISO7816 mode may lead to unpredictable results.

The ISO7816 specification defines an inverse transmission format. Data bits of the character must be transmitted on the I/O line at their negative value. The USART does not support this format and the user has to perform an exclusive OR on the data before writing it in the Transmit Holding Register (US\_THR) or after reading it in the Receive Holding Register (US\_RHR).

#### 31.6.4.2 Protocol T = 0

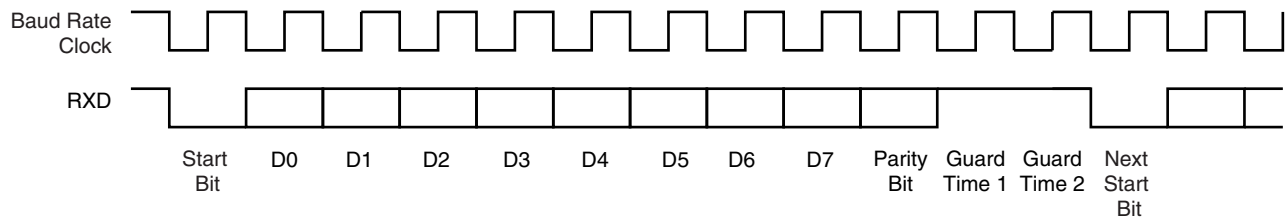
In T = 0 protocol, a character is made up of one start bit, eight data bits, one parity bit and one guard time, which lasts two bit times. The transmitter shifts out the bits and does not drive the I/O line during the guard time.

If no parity error is detected, the I/O line remains at 1 during the guard time and the transmitter can continue with the transmission of the next character, as shown in [Figure 31-23](#).

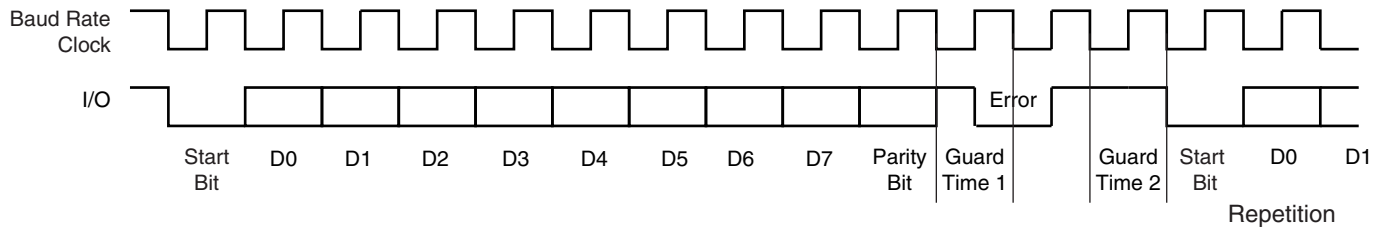
If a parity error is detected by the receiver, it drives the I/O line at 0 during the guard time, as shown in Figure 31-24. This error bit is also named NACK, for Non Acknowledge. In this case, the character lasts 1 bit time more, as the guard time length is the same and is added to the error bit time which lasts 1 bit time.

When the USART is the receiver and it detects an error, it does not load the erroneous character in the Receive Holding Register (US\_RHR). It appropriately sets the PARE bit in the Status Register (US\_SR) so that the software can handle the error.

**Figure 31-23.** T = 0 Protocol without Parity Error



**Figure 31-24.** T = 0 Protocol with Parity Error



#### 31.6.4.3 Receive Error Counter

The USART receiver also records the total number of errors. This can be read in the Number of Error (US\_NER) register. The NB\_ERRORS field can record up to 255 errors. Reading US\_NER automatically clears the NB\_ERRORS field.

#### 31.6.4.4 Receive NACK Inhibit

The USART can also be configured to inhibit an error. This can be achieved by setting the INACK bit in the Mode Register (US\_MR). If INACK is at 1, no error signal is driven on the I/O line even if a parity bit is detected, but the INACK bit is set in the Status Register (US\_SR). The INACK bit can be cleared by writing the Control Register (US\_CR) with the RSTNACK bit at 1.

Moreover, if INACK is set, the erroneous received character is stored in the Receive Holding Register, as if no error occurred. However, the RXRDY bit does not raise.

#### 31.6.4.5 Transmit Character Repetition

When the USART is transmitting a character and gets a NACK, it can automatically repeat the character before moving on to the next one. Repetition is enabled by writing the MAX\_ITERATION field in the Mode Register (US\_MR) at a value higher than 0. Each character can be transmitted up to eight times; the first transmission plus seven repetitions.

If MAX\_ITERATION does not equal zero, the USART repeats the character as many times as the value loaded in MAX\_ITERATION.

When the USART repetition number reaches MAX\_ITERATION, the ITERATION bit is set in the Channel Status Register (US\_CSR). If the repetition of the character is acknowledged by the receiver, the repetitions are stopped and the iteration counter is cleared.

The ITERATION bit in US\_CSR can be cleared by writing the Control Register with the RSIT bit at 1.

#### 31.6.4.6 Disable Successive Receive NACK

The receiver can limit the number of successive NACKs sent back to the remote transmitter. This is programmed by setting the bit DSNACK in the Mode Register (US\_MR). The maximum number of NACK transmitted is programmed in the MAX\_ITERATION field. As soon as MAX\_ITERATION is reached, the character is considered as correct, an acknowledge is sent on the line and the ITERATION bit in the Channel Status Register is set.

#### 31.6.4.7 Protocol T = 1

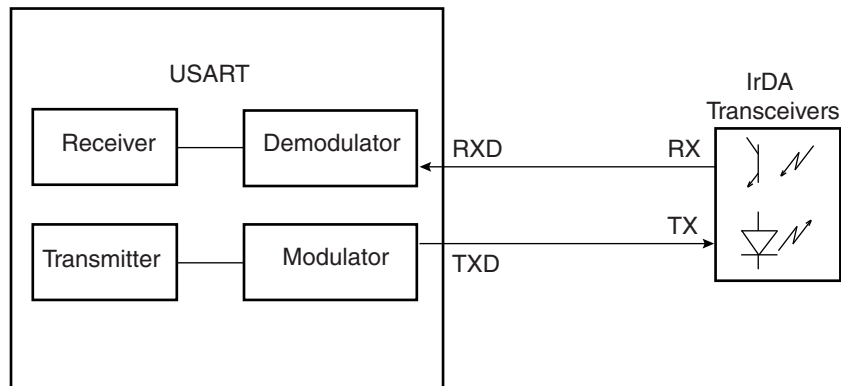
When operating in ISO7816 protocol T = 1, the transmission is similar to an asynchronous format with only one stop bit. The parity is generated when transmitting and checked when receiving. Parity error detection sets the PARE bit in the Channel Status Register (US\_CSR).

### 31.6.5 IrDA Mode

The USART features an IrDA mode supplying half-duplex point-to-point wireless communication. It embeds the modulator and demodulator which allows a glueless connection to the infrared transceivers, as shown in Figure 31-25. The modulator and demodulator are compliant with the IrDA specification version 1.1 and support data transfer speeds ranging from 2.4 Kb/s to 115.2 Kb/s.

The USART IrDA mode is enabled by setting the USART\_MODE field in the Mode Register (US\_MR) to the value 0x8. The IrDA Filter Register (US\_IF) allows configuring the demodulator filter. The USART transmitter and receiver operate in a normal asynchronous mode and all parameters are accessible. Note that the modulator and the demodulator are activated.

**Figure 31-25.** Connection to IrDA Transceivers



The receiver and the transmitter must be enabled or disabled according to the direction of the transmission to be managed.

To receive IrDA signals, the following needs to be done:

- Disable TX and Enable RX



- Configure the TXD pin as PIO and set it as an output at 0 (to avoid LED emission). Disable the internal pull-up (better for power consumption).
- Receive data

### 31.6.5.1 IrDA Modulation

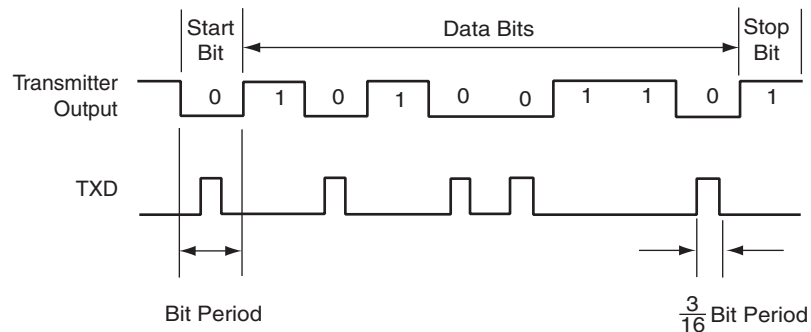
For baud rates up to and including 115.2 Kbits/sec, the RZI modulation scheme is used. “0” is represented by a light pulse of 3/16th of a bit time. Some examples of signal pulse duration are shown in [Table 31-9](#).

**Table 31-9.** IrDA Pulse Duration

| Baud Rate  | Pulse Duration (3/16) |
|------------|-----------------------|
| 2.4 Kb/s   | 78.13 μs              |
| 9.6 Kb/s   | 19.53 μs              |
| 19.2 Kb/s  | 9.77 μs               |
| 38.4 Kb/s  | 4.88 μs               |
| 57.6 Kb/s  | 3.26 μs               |
| 115.2 Kb/s | 1.63 μs               |

[Figure 31-26](#) shows an example of character transmission.

**Figure 31-26.** IrDA Modulation



### 31.6.5.2 IrDA Baud Rate

[Table 31-10](#) gives some examples of CD values, baud rate error and pulse duration. Note that the requirement on the maximum acceptable error of  $\pm 1.87\%$  must be met.

**Table 31-10.** IrDA Baud Rate Error

| Peripheral Clock | Baud Rate | CD | Baud Rate Error | Pulse Time |
|------------------|-----------|----|-----------------|------------|
| 3 686 400        | 115 200   | 2  | 0.00%           | 1.63       |
| 20 000 000       | 115 200   | 11 | 1.38%           | 1.63       |
| 32 768 000       | 115 200   | 18 | 1.25%           | 1.63       |
| 40 000 000       | 115 200   | 22 | 1.38%           | 1.63       |
| 3 686 400        | 57 600    | 4  | 0.00%           | 3.26       |
| 20 000 000       | 57 600    | 22 | 1.38%           | 3.26       |
| 32 768 000       | 57 600    | 36 | 1.25%           | 3.26       |

**Table 31-10.** IrDA Baud Rate Error (Continued)

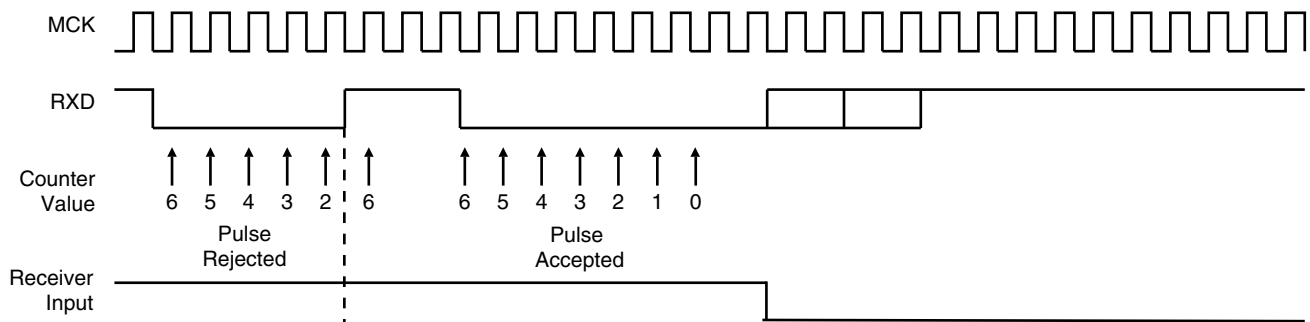
| Peripheral Clock | Baud Rate | CD  | Baud Rate Error | Pulse Time |
|------------------|-----------|-----|-----------------|------------|
| 40 000 000       | 57 600    | 43  | 0.93%           | 3.26       |
| 3 686 400        | 38 400    | 6   | 0.00%           | 4.88       |
| 20 000 000       | 38 400    | 33  | 1.38%           | 4.88       |
| 32 768 000       | 38 400    | 53  | 0.63%           | 4.88       |
| 40 000 000       | 38 400    | 65  | 0.16%           | 4.88       |
| 3 686 400        | 19 200    | 12  | 0.00%           | 9.77       |
| 20 000 000       | 19 200    | 65  | 0.16%           | 9.77       |
| 32 768 000       | 19 200    | 107 | 0.31%           | 9.77       |
| 40 000 000       | 19 200    | 130 | 0.16%           | 9.77       |
| 3 686 400        | 9 600     | 24  | 0.00%           | 19.53      |
| 20 000 000       | 9 600     | 130 | 0.16%           | 19.53      |
| 32 768 000       | 9 600     | 213 | 0.16%           | 19.53      |
| 40 000 000       | 9 600     | 260 | 0.16%           | 19.53      |
| 3 686 400        | 2 400     | 96  | 0.00%           | 78.13      |
| 20 000 000       | 2 400     | 521 | 0.03%           | 78.13      |
| 32 768 000       | 2 400     | 853 | 0.04%           | 78.13      |

### 31.6.5.3 IrDA Demodulator

The demodulator is based on the IrDA Receive filter comprised of an 8-bit down counter which is loaded with the value programmed in US\_IF. When a falling edge is detected on the RXD pin, the Filter Counter starts counting down at the Master Clock (MCK) speed. If a rising edge is detected on the RXD pin, the counter stops and is reloaded with US\_IF. If no rising edge is detected when the counter reaches 0, the input of the receiver is driven low during one bit time.

Figure 31-27 illustrates the operations of the IrDA demodulator.

**Figure 31-27.** IrDA Demodulator Operations

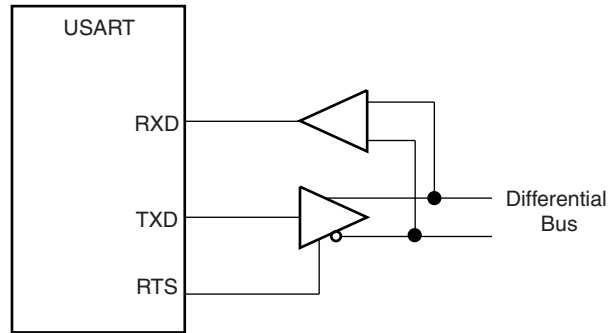


As the IrDA mode uses the same logic as the ISO7816, note that the FI\_DI\_RATIO field in US\_FIDI must be set to a value higher than 0 in order to assure IrDA communications operate correctly.

## 31.6.6 RS485 Mode

The USART features the RS485 mode to enable line driver control. While operating in RS485 mode, the USART behaves as though in asynchronous or synchronous mode and configuration of all the parameters is possible. The difference is that the RTS pin is driven high when the transmitter is operating. The behavior of the RTS pin is controlled by the TXEMPTY bit. A typical connection of the USART to a RS485 bus is shown in [Figure 31-28](#).

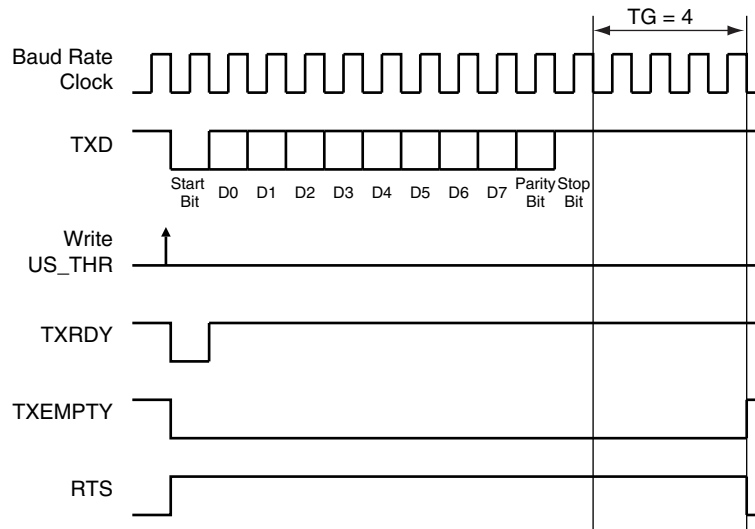
**Figure 31-28.** Typical Connection to a RS485 Bus



The USART is set in RS485 mode by programming the USART\_MODE field in the Mode Register (US\_MR) to the value 0x1.

The RTS pin is at a level inverse to the TXEMPTY bit. Significantly, the RTS pin remains high when a timeguard is programmed so that the line can remain driven after the last character completion. [Figure 31-29](#) gives an example of the RTS waveform during a character transmission when the timeguard is enabled.

**Figure 31-29.** Example of RTS Drive with Timeguard



### 31.6.7 AT91SAM7S512/256/128/64/321/161 Modem Mode

The USART features modem mode, which enables control of the signals: DTR (Data Terminal Ready), DSR (Data Set Ready), RTS (Request to Send), CTS (Clear to Send), DCD (Data Carrier Detect) and RI (Ring Indicator). While operating in modem mode, the USART behaves as a DTE (Data Terminal Equipment) as it drives DTR and RTS and can detect level change on DSR, DCD, CTS and RI.

Setting the USART in modem mode is performed by writing the USART\_MODE field in the Mode Register (US\_MR) to the value 0x3. While operating in modem mode the USART behaves as though in asynchronous mode and all the parameter configurations are available.

Table 31-11 gives the correspondence of the USART signals with modem connection standards.

**Table 31-11.** Circuit References

| USART Pin | V24 | CCITT | Direction              |
|-----------|-----|-------|------------------------|
| TXD       | 2   | 103   | From terminal to modem |
| RTS       | 4   | 105   | From terminal to modem |
| DTR       | 20  | 108.2 | From terminal to modem |
| RXD       | 3   | 104   | From modem to terminal |
| CTS       | 5   | 106   | From terminal to modem |
| DSR       | 6   | 107   | From terminal to modem |
| DCD       | 8   | 109   | From terminal to modem |
| RI        | 22  | 125   | From terminal to modem |

The control of the DTR output pin is performed by writing the Control Register (US\_CR) with the DTRDIS and DTREN bits respectively at 1. The disable command forces the corresponding pin to its inactive level, i.e. high. The enable command forces the corresponding pin to its active level, i.e. low. RTS output pin is automatically controlled in this mode

The level changes are detected on the RI, DSR, DCD and CTS pins. If an input change is detected, the RIIC, DSRIC, DCDIC and CTSIC bits in the Channel Status Register (US\_CSR) are set respectively and can trigger an interrupt. The status is automatically cleared when US\_CSR is read. Furthermore, the CTS automatically disables the transmitter when it is detected at its inactive state. If a character is being transmitted when the CTS rises, the character transmission is completed before the transmitter is actually disabled.

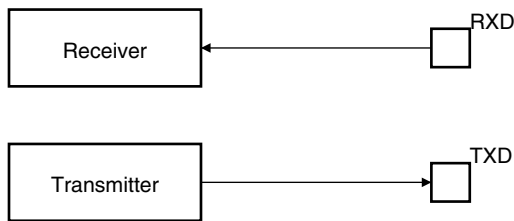
### 31.6.8 Test Modes

The USART can be programmed to operate in three different test modes. The internal loopback capability allows on-board diagnostics. In the loopback mode the USART interface pins are disconnected or not and reconfigured for loopback internally or externally.

#### 31.6.8.1 Normal Mode

Normal mode connects the RXD pin on the receiver input and the transmitter output on the TXD pin.

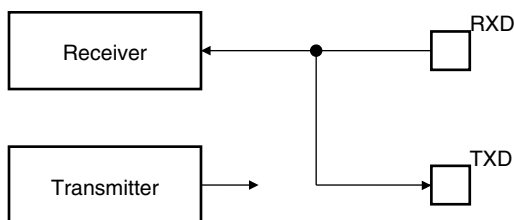
**Figure 31-30.** Normal Mode Configuration



### 31.6.8.2 Automatic Echo Mode

Automatic echo mode allows bit-by-bit retransmission. When a bit is received on the RXD pin, it is sent to the TXD pin, as shown in [Figure 31-31](#). Programming the transmitter has no effect on the TXD pin. The RXD pin is still connected to the receiver input, thus the receiver remains active.

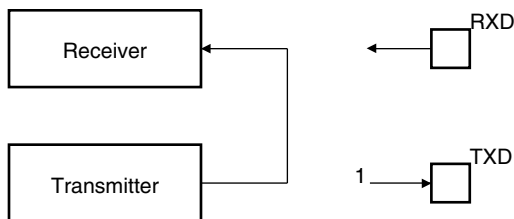
**Figure 31-31.** Automatic Echo Mode Configuration



### 31.6.8.3 Local Loopback Mode

Local loopback mode connects the output of the transmitter directly to the input of the receiver, as shown in [Figure 31-32](#). The TXD and RXD pins are not used. The RXD pin has no effect on the receiver and the TXD pin is continuously driven high, as in idle state.

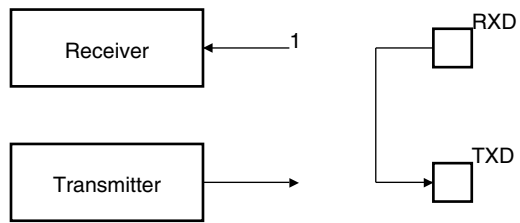
**Figure 31-32.** Local Loopback Mode Configuration



### 31.6.8.4 Remote Loopback Mode

Remote loopback mode directly connects the RXD pin to the TXD pin, as shown in [Figure 31-33](#). The transmitter and the receiver are disabled and have no effect. This mode allows bit-by-bit retransmission.

**Figure 31-33.** Remote Loopback Mode Configuration



## 31.7 Universal Synchronous Asynchronous Receiver Transmitter (USART) User Interface

**Table 31-12.** Memory Map

| Offset        | Register                       | Name    | Access     | Reset |
|---------------|--------------------------------|---------|------------|-------|
| 0x0000        | Control Register               | US_CR   | Write-only | –     |
| 0x0004        | Mode Register                  | US_MR   | Read-write | –     |
| 0x0008        | Interrupt Enable Register      | US_IER  | Write-only | –     |
| 0x000C        | Interrupt Disable Register     | US_IDR  | Write-only | –     |
| 0x0010        | Interrupt Mask Register        | US_IMR  | Read-only  | 0x0   |
| 0x0014        | Channel Status Register        | US_CSR  | Read-only  | –     |
| 0x0018        | Receiver Holding Register      | US_RHR  | Read-only  | 0x0   |
| 0x001C        | Transmitter Holding Register   | US_THR  | Write-only | –     |
| 0x0020        | Baud Rate Generator Register   | US_BRGR | Read-write | 0x0   |
| 0x0024        | Receiver Time-out Register     | US_RTOR | Read-write | 0x0   |
| 0x0028        | Transmitter Timeguard Register | US_TTGR | Read-write | 0x0   |
| 0x2C - 0x3C   | Reserved                       | –       | –          | –     |
| 0x0040        | FI DI Ratio Register           | US_FIDI | Read-write | 0x174 |
| 0x0044        | Number of Errors Register      | US_NER  | Read-only  | –     |
| 0x0048        | Reserved                       | –       | –          | –     |
| 0x004C        | IrDA Filter Register           | US_IF   | Read-write | 0x0   |
| 0x5C - 0xFC   | Reserved                       | –       | –          | –     |
| 0x100 - 0x128 | Reserved for PDC Registers     | –       | –          | –     |



### 31.7.1 USART Control Register

Name: US\_CR

Access Type: Write-only

|       |         |       |      |        |        |                       |                      |
|-------|---------|-------|------|--------|--------|-----------------------|----------------------|
| 31    | 30      | 29    | 28   | 27     | 26     | 25                    | 24                   |
| –     | –       | –     | –    | –      | –      | –                     | –                    |
| 23    | 22      | 21    | 20   | 19     | 18     | 17                    | 16                   |
| –     | –       | –     | –    | RTSDIS | RTSEN  | DTRDIS <sup>(1)</sup> | DTREN <sup>(1)</sup> |
| 15    | 14      | 13    | 12   | 11     | 10     | 9                     | 8                    |
| RETTO | RSTNACK | RSTIT | SENA | STTTO  | STPBRK | STTBRK                | RSTSTA               |
| 7     | 6       | 5     | 4    | 3      | 2      | 1                     | 0                    |
| TXDIS | TXEN    | RXDIS | RXEN | RSTTX  | RSTRX  | –                     | –                    |

Note: 1. DTRDIS and DTREN do not pertain to the AT91SAM7S32/16.

• **RSTRX: Reset Receiver**

0: No effect.

1: Resets the receiver.

• **RSTTX: Reset Transmitter**

0: No effect.

1: Resets the transmitter.

• **RXEN: Receiver Enable**

0: No effect.

1: Enables the receiver, if RXDIS is 0.

• **RXDIS: Receiver Disable**

0: No effect.

1: Disables the receiver.

• **TXEN: Transmitter Enable**

0: No effect.

1: Enables the transmitter if TXDIS is 0.

• **TXDIS: Transmitter Disable**

0: No effect.

1: Disables the transmitter.

• **RSTSTA: Reset Status Bits**

0: No effect.

1: Resets the status bits PARE, FRAME, OVRE, and RXBRK in US\_CSR.

• **STTBRK: Start Break**



0: No effect.

1: Starts transmission of a break after the characters present in US\_THR and the Transmit Shift Register have been transmitted. No effect if a break is already being transmitted.

- **STPBRK: Stop Break**

0: No effect.

1: Stops transmission of the break after a minimum of one character length and transmits a high level during 12-bit periods. No effect if no break is being transmitted.

- **STTTO: Start Time-out**

0: No effect.

1: Starts waiting for a character before clocking the time-out counter. Resets the status bit TIMEOUT in US\_CSR.

- **SENDA: Send Address**

0: No effect.

1: In Multidrop Mode only, the next character written to the US\_THR is sent with the address bit set.

- **RSTIT: Reset Iterations**

0: No effect.

1: Resets ITERATION in US\_CSR. No effect if the ISO7816 is not enabled.

- **RSTNACK: Reset Non Acknowledge**

0: No effect

1: Resets NACK in US\_CSR.

- **RETTO: Rearm Time-out**

0: No effect

1: Restart Time-out

- **DTREN: Data Terminal Ready Enable**

0: No effect.

1: Drives the pin DTR at 0.

- **DTRDIS: Data Terminal Ready Disable**

0: No effect.

1: Drives the pin DTR to 1.

- **RTSEN: Request to Send Enable**

0: No effect.

1: Drives the pin RTS to 0.

- **RTSDIS: Request to Send Disable**

0: No effect.

1: Drives the pin RTS to 1.



### 31.7.2 USART Mode Register

Name: US\_MR

Access Type: Read-write

|        |    |        |        |            |               |       |      |
|--------|----|--------|--------|------------|---------------|-------|------|
| 31     | 30 | 29     | 28     | 27         | 26            | 25    | 24   |
| –      | –  | –      | FILTER | –          | MAX_ITERATION |       |      |
| 23     | 22 | 21     | 20     | 19         | 18            | 17    | 16   |
| –      | –  | DSNACK | INACK  | OVER       | CLKO          | MODE9 | MSBF |
| 15     | 14 | 13     | 12     | 11         | 10            | 9     | 8    |
| CHMODE |    | NBSTOP |        | PAR        |               |       | SYNC |
| 7      | 6  | 5      | 4      | 3          | 2             | 1     | 0    |
| CHRL   |    | USCLKS |        | USART_MODE |               |       |      |

#### • USART\_MODE

| USART_MODE |   |   |   | Mode of the USART                  |
|------------|---|---|---|------------------------------------|
| 0          | 0 | 0 | 0 | Normal                             |
| 0          | 0 | 0 | 1 | RS485                              |
| 0          | 0 | 1 | 0 | Hardware Handshaking               |
| 0          | 0 | 1 | 1 | Modem (Reserved on AT91SAM7S32/16) |
| 0          | 1 | 0 | 0 | ISO7816 Protocol: T = 0            |
| 0          | 1 | 0 | 1 | Reserved                           |
| 0          | 1 | 1 | 0 | ISO7816 Protocol: T = 1            |
| 0          | 1 | 1 | 1 | Reserved                           |
| 1          | 0 | 0 | 0 | IrDA                               |
| 1          | 1 | x | x | Reserved                           |

#### • USCLKS: Clock Selection

| USCLKS |   | Selected Clock    |
|--------|---|-------------------|
| 0      | 0 | MCK               |
| 0      | 1 | MCK/DIV (DIV = 8) |
| 1      | 0 | Reserved          |
| 1      | 1 | SCK               |

#### • CHRL: Character Length.

| CHRL |   | Character Length |
|------|---|------------------|
| 0    | 0 | 5 bits           |
| 0    | 1 | 6 bits           |
| 1    | 0 | 7 bits           |
| 1    | 1 | 8 bits           |

- **SYNC: Synchronous Mode Select**

0: USART operates in Asynchronous Mode.

1: USART operates in Synchronous Mode.

- **PAR: Parity Type**

| PAR |   |   | Parity Type                |
|-----|---|---|----------------------------|
| 0   | 0 | 0 | Even parity                |
| 0   | 0 | 1 | Odd parity                 |
| 0   | 1 | 0 | Parity forced to 0 (Space) |
| 0   | 1 | 1 | Parity forced to 1 (Mark)  |
| 1   | 0 | x | No parity                  |
| 1   | 1 | x | Multidrop mode             |

- **NBSTOP: Number of Stop Bits**

| NBSTOP |   | Asynchronous (SYNC = 0) | Synchronous (SYNC = 1) |
|--------|---|-------------------------|------------------------|
| 0      | 0 | 1 stop bit              | 1 stop bit             |
| 0      | 1 | 1.5 stop bits           | Reserved               |
| 1      | 0 | 2 stop bits             | 2 stop bits            |
| 1      | 1 | Reserved                | Reserved               |

- **CHMODE: Channel Mode**

| CHMODE |   | Mode Description  |
|--------|---|---|
| 0      | 0 | Normal Mode   |
| 0      | 1 | Automatic Echo. Receiver input is connected to the TXD pin.             |
| 1      | 0 | Local Loopback. Transmitter output is connected to the Receiver Input.. |
| 1      | 1 | Remote Loopback. RXD pin is internally connected to the TXD pin.        |

- **MSBF: Bit Order**

0: Least Significant Bit is sent/received first.

1: Most Significant Bit is sent/received first.

- **MODE9: 9-bit Character Length**

0: CHRL defines character length.

1: 9-bit character length.

- **CLKO: Clock Output Select**

0: The USART does not drive the SCK pin.

1: The USART drives the SCK pin if USCLKS does not select the external clock SCK.

- **OVER: Oversampling Mode**

0: 16x Oversampling.

1: 8x Oversampling.

- **INACK: Inhibit Non Acknowledge**

0: The NACK is generated.

1: The NACK is not generated.

- **DSNACK: Disable Successive NACK**

0: NACK is sent on the ISO line as soon as a parity error occurs in the received character (unless INACK is set).

1: Successive parity errors are counted up to the value specified in the MAX\_ITERATION field. These parity errors generate a NACK on the ISO line. As soon as this value is reached, no additional NACK is sent on the ISO line. The flag ITERATION is asserted.

- **MAX\_ITERATION**

Defines the maximum number of iterations in mode ISO7816, protocol T= 0.

- **FILTER: Infrared Receive Line Filter**

0: The USART does not filter the receive line.

1: The USART filters the receive line using a three-sample filter (1/16-bit clock) (2 over 3 majority).

## 31.7.3 USART Interrupt Enable Register

Name: US\_IER

Access Type: Write-only

|      |       |      |        |        |                      |                      |                     |
|------|-------|------|--------|--------|----------------------|----------------------|---------------------|
| 31   | 30    | 29   | 28     | 27     | 26                   | 25                   | 24                  |
| –    | –     | –    | –      | –      | –                    | –                    | –                   |
| 23   | 22    | 21   | 20     | 19     | 18                   | 17                   | 16                  |
| –    | –     | –    | –      | CTSIC  | DCDIC <sup>(1)</sup> | DSRIC <sup>(1)</sup> | RIIC <sup>(1)</sup> |
| 15   | 14    | 13   | 12     | 11     | 10                   | 9                    | 8                   |
| –    | –     | NACK | RXBUFF | TXBUFE | ITERATION            | TXEMPTY              | TIMEOUT             |
| 7    | 6     | 5    | 4      | 3      | 2                    | 1                    | 0                   |
| PARE | FRAME | OVRE | ENDTX  | ENDRX  | RXBRK                | TXRDY                | RXRDY               |

Note: 1. DCDIC, DSRIC and RIIC do not pertain to the AT91SAM7S32/16.

- **RXRDY: RXRDY Interrupt Enable**
- **TXRDY: TXRDY Interrupt Enable**
- **RXBRK: Receiver Break Interrupt Enable**
- **ENDRX: End of Receive Transfer Interrupt Enable**
- **ENDTX: End of Transmit Interrupt Enable**
- **OVRE: Overrun Error Interrupt Enable**
- **FRAME: Framing Error Interrupt Enable**
- **PARE: Parity Error Interrupt Enable**
- **TIMEOUT: Time-out Interrupt Enable**
- **TXEMPTY: TXEMPTY Interrupt Enable**
- **ITERATION: Iteration Interrupt Enable**
- **TXBUFE: Buffer Empty Interrupt Enable**
- **RXBUFF: Buffer Full Interrupt Enable**
- **NACK: Non Acknowledge Interrupt Enable**
- **RIIC: Ring Indicator Input Change Enable**
- **DSRIC: Data Set Ready Input Change Enable**
- **DCDIC: Data Carrier Detect Input Change Interrupt Enable**
- **CTSIC: Clear to Send Input Change Interrupt Enable**



### 31.7.4 USART Interrupt Disable Register

Name: US\_IDR

Access Type: Write-only

|      |       |      |        |        |                      |                      |                     |
|------|-------|------|--------|--------|----------------------|----------------------|---------------------|
| 31   | 30    | 29   | 28     | 27     | 26                   | 25                   | 24                  |
| –    | –     | –    | –      | –      | –                    | –                    | –                   |
| 23   | 22    | 21   | 20     | 19     | 18                   | 17                   | 16                  |
| –    | –     | –    | –      | CTSIC  | DCDIC <sup>(1)</sup> | DSRIC <sup>(1)</sup> | RIIC <sup>(1)</sup> |
| 15   | 14    | 13   | 12     | 11     | 10                   | 9                    | 8                   |
| –    | –     | NACK | RXBUFF | TXBUFE | ITERATION            | TXEMPTY              | TIMEOUT             |
| 7    | 6     | 5    | 4      | 3      | 2                    | 1                    | 0                   |
| PARE | FRAME | OVRE | ENDTX  | ENDRX  | RXBRK                | TXRDY                | RXRDY               |

Note: 1. DCDIC, DSRIC and RIIC do not pertain to the AT91SAM7S32/16.

- **RXRDY: RXRDY Interrupt Disable**
- **TXRDY: TXRDY Interrupt Disable**
- **RXBRK: Receiver Break Interrupt Disable**
- **ENDRX: End of Receive Transfer Interrupt Disable**
- **ENDTX: End of Transmit Interrupt Disable**
- **OVRE: Overrun Error Interrupt Disable**
- **FRAME: Framing Error Interrupt Disable**
- **PARE: Parity Error Interrupt Disable**
- **TIMEOUT: Time-out Interrupt Disable**
- **TXEMPTY: TXEMPTY Interrupt Disable**
- **ITERATION: Iteration Interrupt Disable**
- **TXBUFE: Buffer Empty Interrupt Disable**
- **RXBUFF: Buffer Full Interrupt Disable**
- **NACK: Non Acknowledge Interrupt Disable**
- **RIIC: Ring Indicator Input Change Disable**
- **DSRIC: Data Set Ready Input Change Disable**
- **DCDIC: Data Carrier Detect Input Change Interrupt Disable**
- **CTSIC: Clear to Send Input Change Interrupt Disable**

## 31.7.5 USART Interrupt Mask Register

Name: US\_IMR

Access Type: Read-only

|      |       |      |        |        |                      |                      |                     |
|------|-------|------|--------|--------|----------------------|----------------------|---------------------|
| 31   | 30    | 29   | 28     | 27     | 26                   | 25                   | 24                  |
| –    | –     | –    | –      | –      | –                    | –                    | –                   |
| 23   | 22    | 21   | 20     | 19     | 18                   | 17                   | 16                  |
| –    | –     | –    | –      | CTSIC  | DCDIC <sup>(1)</sup> | DSRIC <sup>(1)</sup> | RIIC <sup>(1)</sup> |
| 15   | 14    | 13   | 12     | 11     | 10                   | 9                    | 8                   |
| –    | –     | NACK | RXBUFF | TXBUFE | ITERATION            | TXEMPTY              | TIMEOUT             |
| 7    | 6     | 5    | 4      | 3      | 2                    | 1                    | 0                   |
| PARE | FRAME | OVRE | ENDTX  | ENDRX  | RXBRK                | TXRDY                | RXRDY               |

Note: 1. DCDIC, DSRIC and RIIC do not pertain to the AT91SAM7S32/16.

- **RXRDY: RXRDY Interrupt Mask**
- **TXRDY: TXRDY Interrupt Mask**
- **RXBRK: Receiver Break Interrupt Mask**
- **ENDRX: End of Receive Transfer Interrupt Mask**
- **ENDTX: End of Transmit Interrupt Mask**
- **OVRE: Overrun Error Interrupt Mask**
- **FRAME: Framing Error Interrupt Mask**
- **PARE: Parity Error Interrupt Mask**
- **TIMEOUT: Time-out Interrupt Mask**
- **TXEMPTY: TXEMPTY Interrupt Mask**
- **ITERATION: Iteration Interrupt Mask**
- **TXBUFE: Buffer Empty Interrupt Mask**
- **RXBUFF: Buffer Full Interrupt Mask**
- **NACK: Non Acknowledge Interrupt Mask**
- **RIIC: Ring Indicator Input Change Mask**
- **DSRIC: Data Set Ready Input Change Mask**
- **DCDIC: Data Carrier Detect Input Change Interrupt Mask**
- **CTSIC: Clear to Send Input Change Interrupt Mask**



### 31.7.6 USART Channel Status Register

**Name:** US\_CSR

**Access Type:** Read-only

|      |       |      |        |        |                      |                      |                     |
|------|-------|------|--------|--------|----------------------|----------------------|---------------------|
| 31   | 30    | 29   | 28     | 27     | 26                   | 25                   | 24                  |
| –    | –     | –    | –      | –      | –                    | –                    | –                   |
| 23   | 22    | 21   | 20     | 19     | 18                   | 17                   | 16                  |
| CTS  | DCD   | DSR  | RI     | CTSIC  | DCDIC <sup>(1)</sup> | DSRIC <sup>(1)</sup> | RIIC <sup>(1)</sup> |
| 15   | 14    | 13   | 12     | 11     | 10                   | 9                    | 8                   |
| –    | –     | NACK | RXBUFF | TXBUFE | ITERATION            | TXEMPTY              | TIMEOUT             |
| 7    | 6     | 5    | 4      | 3      | 2                    | 1                    | 0                   |
| PARE | FRAME | OVRE | ENDTX  | ENDRX  | RXBRK                | TXRDY                | RXRDY               |

Note: 1. DCDIC, DSRIC and RIIC do not pertain to the AT91SAM7S32/16.

- **RXRDY: Receiver Ready**

0: No complete character has been received since the last read of US\_RHR or the receiver is disabled. If characters were being received when the receiver was disabled, RXRDY changes to 1 when the receiver is enabled.

1: At least one complete character has been received and US\_RHR has not yet been read.

- **TXRDY: Transmitter Ready**

0: A character is in the US\_THR waiting to be transferred to the Transmit Shift Register, or an STTBRK command has been requested, or the transmitter is disabled. As soon as the transmitter is enabled, TXRDY becomes 1.

1: There is no character in the US\_THR.

- **RXBRK: Break Received/End of Break**

0: No Break received or End of Break detected since the last RSTSTA.

1: Break Received or End of Break detected since the last RSTSTA.

- **ENDRX: End of Receiver Transfer**

0: The End of Transfer signal from the Receive PDC channel is inactive.

1: The End of Transfer signal from the Receive PDC channel is active.

- **ENDTX: End of Transmitter Transfer**

0: The End of Transfer signal from the Transmit PDC channel is inactive.

1: The End of Transfer signal from the Transmit PDC channel is active.

- **OVRE: Overrun Error**

0: No overrun error has occurred since the last RSTSTA.

1: At least one overrun error has occurred since the last RSTSTA.

- **FRAME: Framing Error**

0: No stop bit has been detected low since the last RSTSTA.

1: At least one stop bit has been detected low since the last RSTSTA.



- **PARE: Parity Error**

0: No parity error has been detected since the last RSTSTA.

1: At least one parity error has been detected since the last RSTSTA.

- **TIMEOUT: Receiver Time-out**

0: There has not been a time-out since the last Start Time-out command (STTTO in US\_CR) or the Time-out Register is 0.

1: There has been a time-out since the last Start Time-out command (STTTO in US\_CR).

- **TXEMPTY: Transmitter Empty**

0: There are characters in either US\_THR or the Transmit Shift Register, or the transmitter is disabled.

1: There are no characters in US\_THR, nor in the Transmit Shift Register.

- **ITERATION: Max number of Repetitions Reached**

0: Maximum number of repetitions has not been reached since the last RSIT.

1: Maximum number of repetitions has been reached since the last RSIT.

- **TXBUFE: Transmission Buffer Empty**

0: The signal Buffer Empty from the Transmit PDC channel is inactive.

1: The signal Buffer Empty from the Transmit PDC channel is active.

- **RXBUFF: Reception Buffer Full**

0: The signal Buffer Full from the Receive PDC channel is inactive.

1: The signal Buffer Full from the Receive PDC channel is active.

- **NACK: Non Acknowledge**

0: No Non Acknowledge has not been detected since the last RSTNACK.

1: At least one Non Acknowledge has been detected since the last RSTNACK.

- **RIIC: Ring Indicator Input Change Flag**

0: No input change has been detected on the RI pin since the last read of US\_CSR.

1: At least one input change has been detected on the RI pin since the last read of US\_CSR.

- **DSRIC: Data Set Ready Input Change Flag**

0: No input change has been detected on the DSR pin since the last read of US\_CSR.

1: At least one input change has been detected on the DSR pin since the last read of US\_CSR.

- **DCDIC: Data Carrier Detect Input Change Flag**

0: No input change has been detected on the DCD pin since the last read of US\_CSR.

1: At least one input change has been detected on the DCD pin since the last read of US\_CSR.

- **CTSIC: Clear to Send Input Change Flag**

0: No input change has been detected on the CTS pin since the last read of US\_CSR.

1: At least one input change has been detected on the CTS pin since the last read of US\_CSR.

- **RI: Image of RI Input**

0: RI is at 0.

1: RI is at 1.

- **DSR: Image of DSR Input**

0: DSR is at 0

1: DSR is at 1.

- **DCD: Image of DCD Input**

0: DCD is at 0.

1: DCD is at 1.

- **CTS: Image of CTS Input**

0: CTS is at 0.

1: CTS is at 1.

## 31.7.7 USART Receive Holding Register

**Name:** US\_RHR

**Access Type:** Read-only

|        |    |    |    |    |    |    |       |
|--------|----|----|----|----|----|----|-------|
| 31     | 30 | 29 | 28 | 27 | 26 | 25 | 24    |
| –      | –  | –  | –  | –  | –  | –  | –     |
| 23     | 22 | 21 | 20 | 19 | 18 | 17 | 16    |
| –      | –  | –  | –  | –  | –  | –  | –     |
| 15     | 14 | 13 | 12 | 11 | 10 | 9  | 8     |
| RXSYNH | –  | –  | –  | –  | –  | –  | RXCHR |
| 7      | 6  | 5  | 4  | 3  | 2  | 1  | 0     |
| RXCHR  |    |    |    |    |    |    |       |

- **RXCHR: Received Character**

Last character received if RXRDY is set.

- **RXSYNH: Received Sync**

0: Last Character received is a Data.

1: Last Character received is a Command.

### 31.7.8 USART Transmit Holding Register

**Name:** US\_THR

**Access Type:** Write-only

|        |    |    |    |    |    |    |       |
|--------|----|----|----|----|----|----|-------|
| 31     | 30 | 29 | 28 | 27 | 26 | 25 | 24    |
| –      | –  | –  | –  | –  | –  | –  | –     |
| 23     | 22 | 21 | 20 | 19 | 18 | 17 | 16    |
| –      | –  | –  | –  | –  | –  | –  | –     |
| 15     | 14 | 13 | 12 | 11 | 10 | 9  | 8     |
| TXSYNH | –  | –  | –  | –  | –  | –  | TXCHR |
| 7      | 6  | 5  | 4  | 3  | 2  | 1  | 0     |
| TXCHR  |    |    |    |    |    |    |       |

- **TXCHR: Character to be Transmitted**

Next character to be transmitted after the current character if TXRDY is not set.

- **TXSYNH: Sync Field to be transmitted**

0: The next character sent is encoded as a data. Start Frame Delimiter is DATA SYNC.

1: The next character sent is encoded as a command. Start Frame Delimiter is COMMAND SYNC.

## 31.7.9 USART Baud Rate Generator Register

Name: US\_BRGR

Access Type: Read-write

|    |    |    |    |    |    |    |    |
|----|----|----|----|----|----|----|----|
| 31 | 30 | 29 | 28 | 27 | 26 | 25 | 24 |
| –  | –  | –  | –  | –  | –  | –  | –  |
| 23 | 22 | 21 | 20 | 19 | 18 | 17 | 16 |
| –  | –  | –  | –  | –  |    | FP |    |
| 15 | 14 | 13 | 12 | 11 | 10 | 9  | 8  |
| CD |    |    |    |    |    |    |    |
| 7  | 6  | 5  | 4  | 3  | 2  | 1  | 0  |
| CD |    |    |    |    |    |    |    |

- **CD: Clock Divider**

| CD         | USART_MODE ≠ ISO7816                |                                    |                                   | USART_MODE = ISO7816                         |
|------------|-------------------------------------|------------------------------------|-----------------------------------|--|
|            | SYNC = 0                            |                                    | SYNC = 1                          |  |
|            | OVER = 0                            | OVER = 1                           |                                   |  |
| 0          | Baud Rate Clock Disabled            |                                    |                                   |  |
| 1 to 65535 | Baud Rate =<br>Selected Clock/16/CD | Baud Rate =<br>Selected Clock/8/CD | Baud Rate =<br>Selected Clock /CD | Baud Rate = Selected<br>Clock/CD/FI_DI_RATIO |

- **FP: Fractional Part**

0: Fractional divider is disabled.

1 - 7: Baudrate resolution, defined by FP x 1/8.

Note: Fractional Part is not supported by AT91SAM7S32 and AT91SAM7S64.



### 31.7.10 USART Receiver Time-out Register

**Name:** US\_RTOR

**Access Type:** Read-write

|    |    |    |    |    |    |    |    |
|----|----|----|----|----|----|----|----|
| 31 | 30 | 29 | 28 | 27 | 26 | 25 | 24 |
| –  | –  | –  | –  | –  | –  | –  | –  |
| 23 | 22 | 21 | 20 | 19 | 18 | 17 | 16 |
| –  | –  | –  | –  | –  | –  | –  | –  |
| 15 | 14 | 13 | 12 | 11 | 10 | 9  | 8  |
| TO |    |    |    |    |    |    |    |
| 7  | 6  | 5  | 4  | 3  | 2  | 1  | 0  |
| TO |    |    |    |    |    |    |    |

- **TO: Time-out Value**

0: The Receiver Time-out is disabled.

1 - 65535: The Receiver Time-out is enabled and the Time-out delay is TO x Bit Period.



## 31.7.11 USART Transmitter Timeguard Register

**Name:** US\_TTGR

**Access Type:** Read-write

|    |    |    |    |    |    |    |    |
|----|----|----|----|----|----|----|----|
| 31 | 30 | 29 | 28 | 27 | 26 | 25 | 24 |
| -  | -  | -  | -  | -  | -  | -  | -  |
| 23 | 22 | 21 | 20 | 19 | 18 | 17 | 16 |
| -  | -  | -  | -  | -  | -  | -  | -  |
| 15 | 14 | 13 | 12 | 11 | 10 | 9  | 8  |
| -  | -  | -  | -  | -  | -  | -  | -  |
| 7  | 6  | 5  | 4  | 3  | 2  | 1  | 0  |
| TG |    |    |    |    |    |    |    |

- **TG: Timeguard Value**

0: The Transmitter Timeguard is disabled.

1 - 255: The Transmitter timeguard is enabled and the timeguard delay is TG x Bit Period.



### 31.7.12 USART FI DI RATIO Register

Name: US\_FIDI

Access Type: Read-write

Reset Value : 0x174

|             |    |    |    |    |             |    |    |
|-------------|----|----|----|----|-------------|----|----|
| 31          | 30 | 29 | 28 | 27 | 26          | 25 | 24 |
| -           | -  | -  | -  | -  | -           | -  | -  |
| 23          | 22 | 21 | 20 | 19 | 18          | 17 | 16 |
| -           | -  | -  | -  | -  | -           | -  | -  |
| 15          | 14 | 13 | 12 | 11 | 10          | 9  | 8  |
| -           | -  | -  | -  | -  | FI_DI_RATIO |    |    |
| 7           | 6  | 5  | 4  | 3  | 2           | 1  | 0  |
| FI_DI_RATIO |    |    |    |    |             |    |    |

- **FI\_DI\_RATIO: FI Over DI Ratio Value**

0: If ISO7816 mode is selected, the Baud Rate Generator generates no signal.

1 - 2047: If ISO7816 mode is selected, the Baud Rate is the clock provided on SCK divided by FI\_DI\_RATIO.





## 31.7.13 USART Number of Errors Register

**Name:** US\_NER

**Access Type:** Read-only

|           |    |    |    |    |    |    |    |
|-----------|----|----|----|----|----|----|----|
| 31        | 30 | 29 | 28 | 27 | 26 | 25 | 24 |
| -         | -  | -  | -  | -  | -  | -  | -  |
| 23        | 22 | 21 | 20 | 19 | 18 | 17 | 16 |
| -         | -  | -  | -  | -  | -  | -  | -  |
| 15        | 14 | 13 | 12 | 11 | 10 | 9  | 8  |
| -         | -  | -  | -  | -  | -  | -  | -  |
| 7         | 6  | 5  | 4  | 3  | 2  | 1  | 0  |
| NB_ERRORS |    |    |    |    |    |    |    |

- **NB\_ERRORS: Number of Errors**

Total number of errors that occurred during an ISO7816 transfer. This register automatically clears when read.



### 31.7.14 USART IrDA FILTER Register

**Name:** US\_IF

**Access Type:** Read-write

|             |    |    |    |    |    |    |    |
|-------------|----|----|----|----|----|----|----|
| 31          | 30 | 29 | 28 | 27 | 26 | 25 | 24 |
| -           | -  | -  | -  | -  | -  | -  | -  |
| 23          | 22 | 21 | 20 | 19 | 18 | 17 | 16 |
| -           | -  | -  | -  | -  | -  | -  | -  |
| 15          | 14 | 13 | 12 | 11 | 10 | 9  | 8  |
| -           | -  | -  | -  | -  | -  | -  | -  |
| 7           | 6  | 5  | 4  | 3  | 2  | 1  | 0  |
| IRDA_FILTER |    |    |    |    |    |    |    |

- **IRDA\_FILTER: IrDA Filter**

Sets the filter of the IrDA demodulator.



## **32. Synchronous Serial Controller (SSC)**

### **32.1 Description**

The Atmel Synchronous Serial Controller (SSC) provides a synchronous communication link with external devices. It supports many serial synchronous communication protocols generally used in audio and telecom applications such as I2S, Short Frame Sync, Long Frame Sync, etc.

The SSC contains an independent receiver and transmitter and a common clock divider. The receiver and the transmitter each interface with three signals: the TD/RD signal for data, the TK/RK signal for the clock and the TF/RF signal for the Frame Sync. The transfers can be programmed to start automatically or on different events detected on the Frame Sync signal.

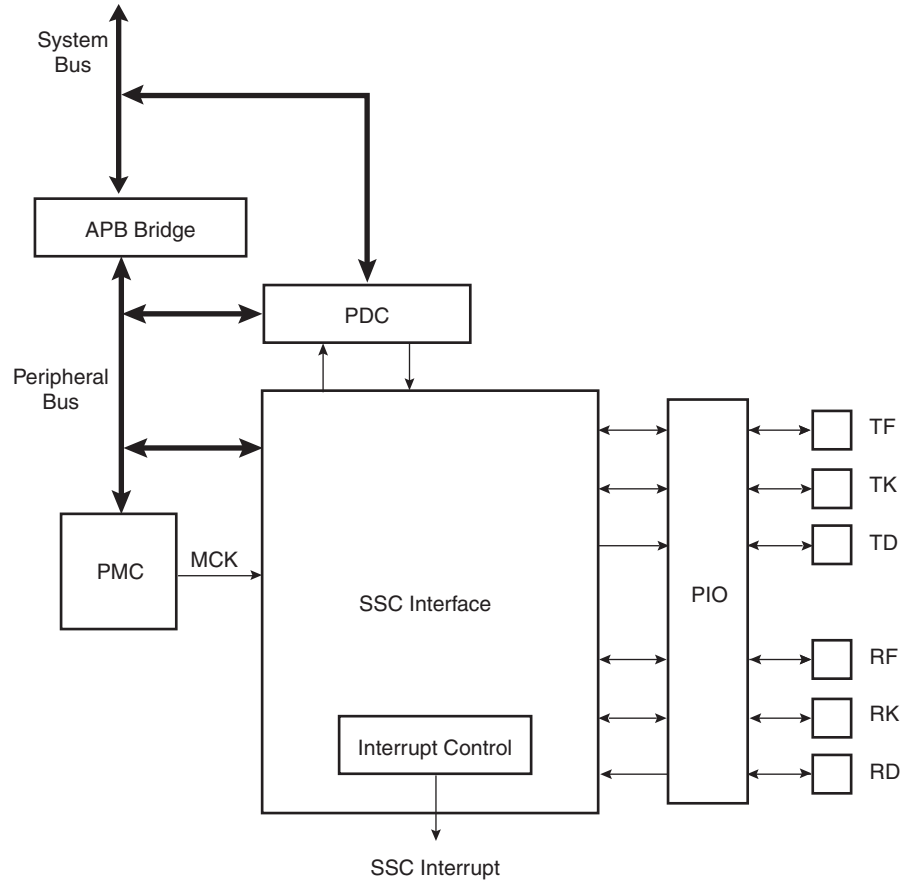
The SSC's high-level of programmability and its two dedicated PDC channels of up to 32 bits permit a continuous high bit rate data transfer without processor intervention.

Featuring connection to two PDC channels, the SSC permits interfacing with low processor overhead to the following:

- CODEC's in master or slave mode
- DAC through dedicated serial interface, particularly I2S
- Magnetic card reader

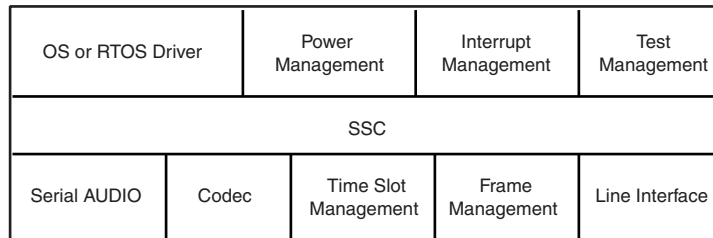
## 32.2 Block Diagram

Figure 32-1. Block Diagram



## 32.3 Application Block Diagram

Figure 32-2. Application Block Diagram



## 32.4 Pin Name List

Table 32-1. I/O Lines Description

| Pin Name | Pin Description           | Type         |
|----------|---------------------------|--------------|
| RF       | Receiver Frame Synchro    | Input/Output |
| RK       | Receiver Clock            | Input/Output |
| RD       | Receiver Data             | Input        |
| TF       | Transmitter Frame Synchro | Input/Output |
| TK       | Transmitter Clock         | Input/Output |
| TD       | Transmitter Data          | Output       |

## 32.5 Product Dependencies

### 32.5.1 I/O Lines

The pins used for interfacing the compliant external devices may be multiplexed with PIO lines.

Before using the SSC receiver, the PIO controller must be configured to dedicate the SSC receiver I/O lines to the SSC peripheral mode.

Before using the SSC transmitter, the PIO controller must be configured to dedicate the SSC transmitter I/O lines to the SSC peripheral mode.

### 32.5.2 Power Management

The SSC is not continuously clocked. The SSC interface may be clocked through the Power Management Controller (PMC), therefore the programmer must first configure the PMC to enable the SSC clock.

### 32.5.3 Interrupt

The SSC interface has an interrupt line connected to the Advanced Interrupt Controller (AIC). Handling interrupts requires programming the AIC before configuring the SSC.

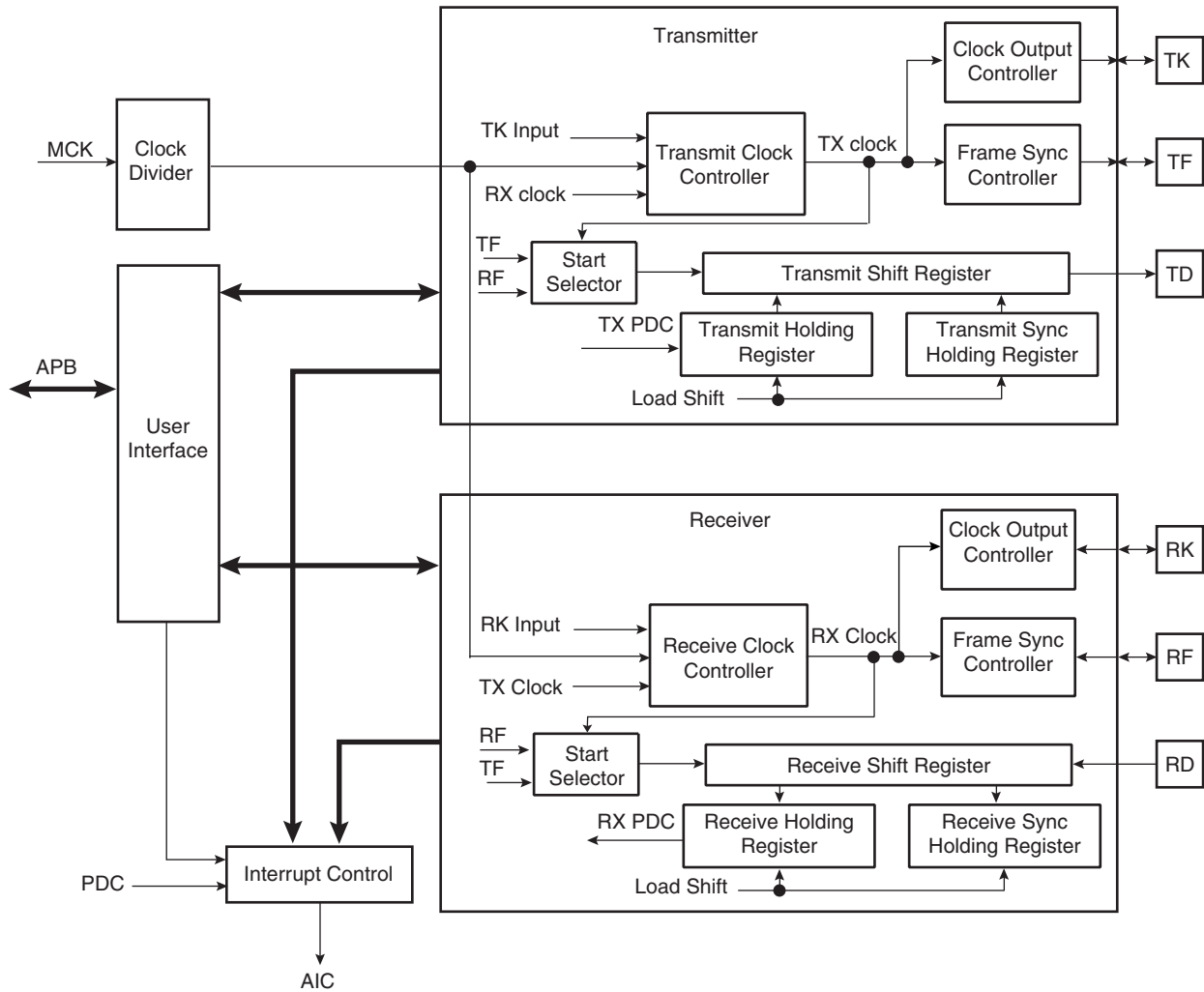
All SSC interrupts can be enabled/disabled configuring the SSC Interrupt mask register. Each pending and unmasked SSC interrupt will assert the SSC interrupt line. The SSC interrupt service routine can get the interrupt origin by reading the SSC interrupt status register.

## 32.6 Functional Description

This chapter contains the functional description of the following: SSC Functional Block, Clock Management, Data format, Start, Transmitter, Receiver and Frame Sync.

The receiver and transmitter operate separately. However, they can work synchronously by programming the receiver to use the transmit clock and/or to start a data transfer when transmission starts. Alternatively, this can be done by programming the transmitter to use the receive clock and/or to start a data transfer when reception starts. The transmitter and the receiver can be programmed to operate with the clock signals provided on either the TK or RK pins. This allows the SSC to support many slave-mode data transfers. The maximum clock speed allowed on the TK and RK pins is the master clock divided by 2.

**Figure 32-3. SSC Functional Block Diagram**



### 32.6.1 Clock Management

The transmitter clock can be generated by:

- an external clock received on the TK I/O pad
- the receiver clock
- the internal clock divider

The receiver clock can be generated by:

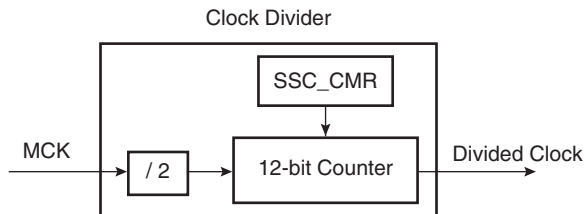
- an external clock received on the RK I/O pad
- the transmitter clock
- the internal clock divider

Furthermore, the transmitter block can generate an external clock on the TK I/O pad, and the receiver block can generate an external clock on the RK I/O pad.

This allows the SSC to support many Master and Slave Mode data transfers.

## 32.6.1.1 Clock Divider

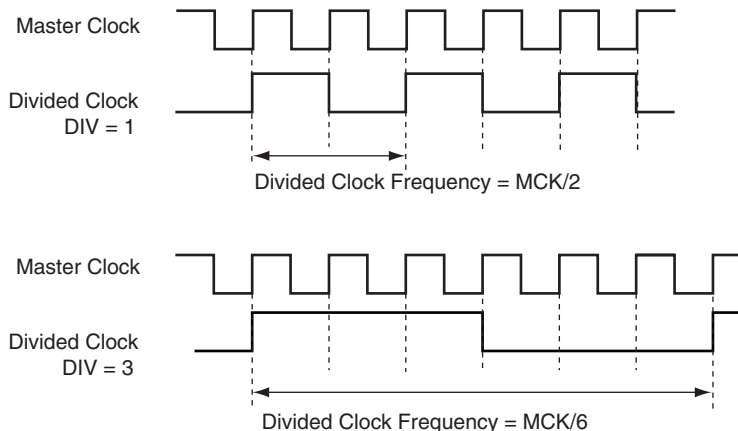
**Figure 32-4.** Divided Clock Block Diagram



The Master Clock divider is determined by the 12-bit field DIV counter and comparator (so its maximal value is 4095) in the Clock Mode Register SSC\_CMR, allowing a Master Clock division by up to 8190. The Divided Clock is provided to both the Receiver and Transmitter. When this field is programmed to 0, the Clock Divider is not used and remains inactive.

When DIV is set to a value equal to or greater than 1, the Divided Clock has a frequency of Master Clock divided by 2 times DIV. Each level of the Divided Clock has a duration of the Master Clock multiplied by DIV. This ensures a 50% duty cycle for the Divided Clock regardless of whether the DIV value is even or odd.

**Figure 32-5.** Divided Clock Generation



**Table 32-2.**

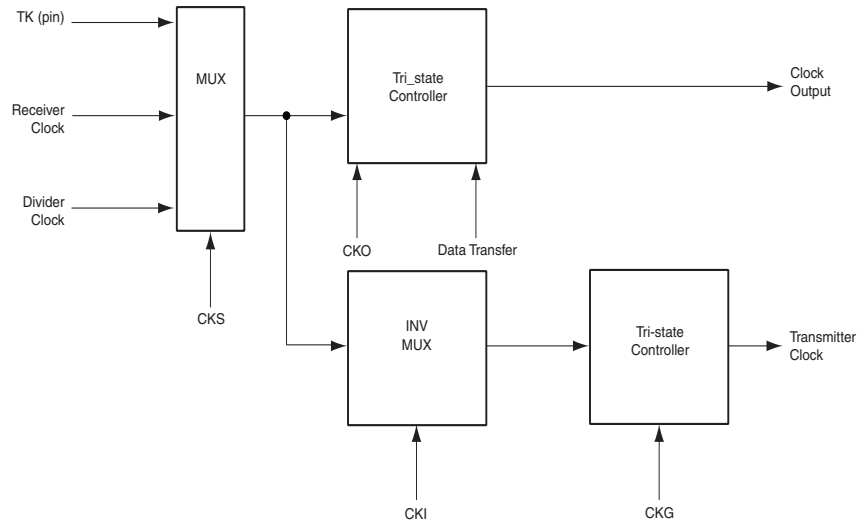
| Maximum | Minimum    |
|---------|------------|
| MCK / 2 | MCK / 8190 |

## 32.6.1.2 Transmitter Clock Management

The transmitter clock is generated from the receiver clock or the divider clock or an external clock scanned on the TK I/O pad. The transmitter clock is selected by the CKS field in SSC\_TCMR (Transmit Clock Mode Register). Transmit Clock can be inverted independently by the CKI bits in SSC\_TCMR.

The transmitter can also drive the TK I/O pad continuously or be limited to the actual data transfer. The clock output is configured by the SSC\_TCMR register. The Transmit Clock Inversion (CKI) bits have no effect on the clock outputs. Programming the TCMR register to select TK pin (CKS field) and at the same time Continuous Transmit Clock (CKO field) might lead to unpredictable results.

**Figure 32-6. Transmitter Clock Management**



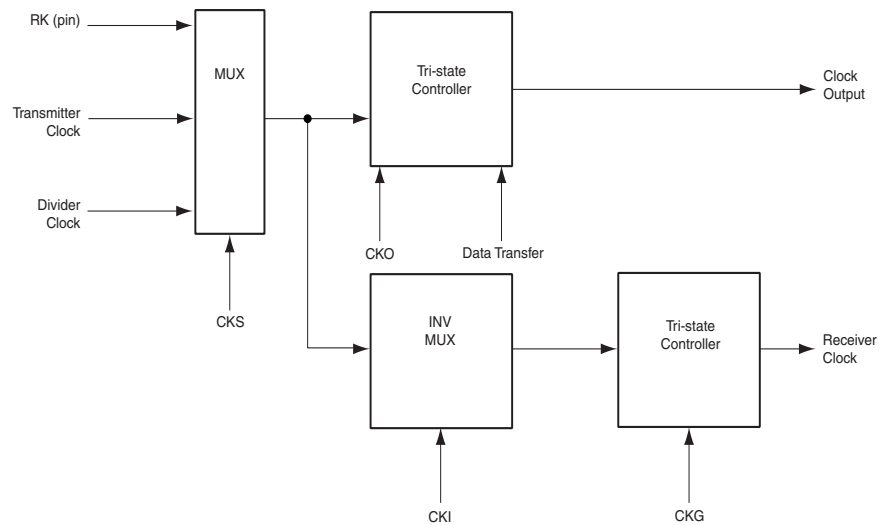
### 32.6.1.3 Receiver Clock Management

The receiver clock is generated from the transmitter clock or the divider clock or an external clock scanned on the RK I/O pad. The Receive Clock is selected by the CKS field in SSC\_RCMR (Receive Clock Mode Register). Receive Clocks can be inverted independently by the CKI bits in SSC\_RCMR.

The receiver can also drive the RK I/O pad continuously or be limited to the actual data transfer. The clock output is configured by the SSC\_RCMR register. The Receive Clock Inversion (CKI) bits have no effect on the clock outputs. Programming the RCMR register to select RK pin (CKS field) and at the same time Continuous Receive Clock (CKO field) can lead to unpredictable results.



**Figure 32-7. Receiver Clock Management**



### 32.6.1.4 Serial Clock Ratio Considerations

The Transmitter and the Receiver can be programmed to operate with the clock signals provided on either the TK or RK pins. This allows the SSC to support many slave-mode data transfers. In this case, the maximum clock speed allowed on the RK pin is:

- Master Clock divided by 2 if Receiver Frame Synchro is input
- Master Clock divided by 3 if Receiver Frame Synchro is output

In addition, the maximum clock speed allowed on the TK pin is:

- Master Clock divided by 6 if Transmit Frame Synchro is input
- Master Clock divided by 2 if Transmit Frame Synchro is output

### 32.6.2 Transmitter Operations

A transmitted frame is triggered by a start event and can be followed by synchronization data before data transmission.

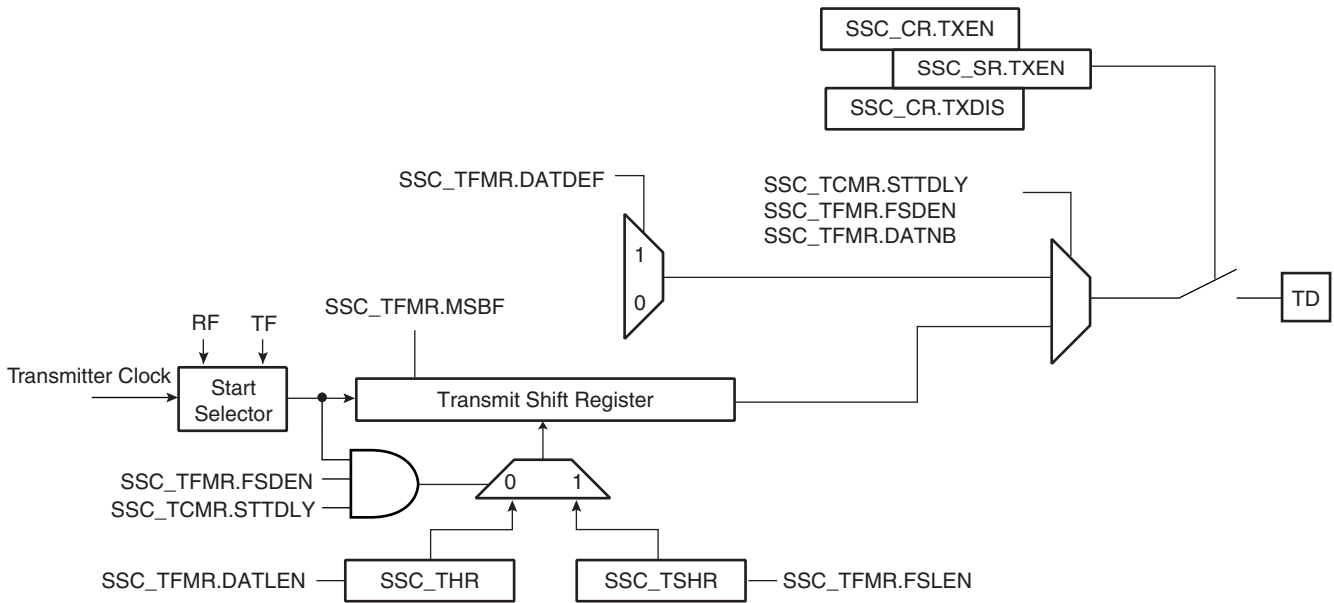
The start event is configured by setting the Transmit Clock Mode Register (SSC\_TCMR). See [“Start” on page 411](#).

The frame synchronization is configured setting the Transmit Frame Mode Register (SSC\_TFMR). See [“Frame Sync” on page 413](#).

To transmit data, the transmitter uses a shift register clocked by the transmitter clock signal and the start mode selected in the SSC\_TCMR. Data is written by the application to the SSC\_THR register then transferred to the shift register according to the data format selected.

When both the SSC\_THR and the transmit shift register are empty, the status flag TXEMPTY is set in SSC\_SR. When the Transmit Holding register is transferred in the Transmit shift register, the status flag TXRDY is set in SSC\_SR and additional data can be loaded in the holding register.

**Figure 32-8.** Transmitter Block Diagram



### 32.6.3 Receiver Operations

A received frame is triggered by a start event and can be followed by synchronization data before data transmission.

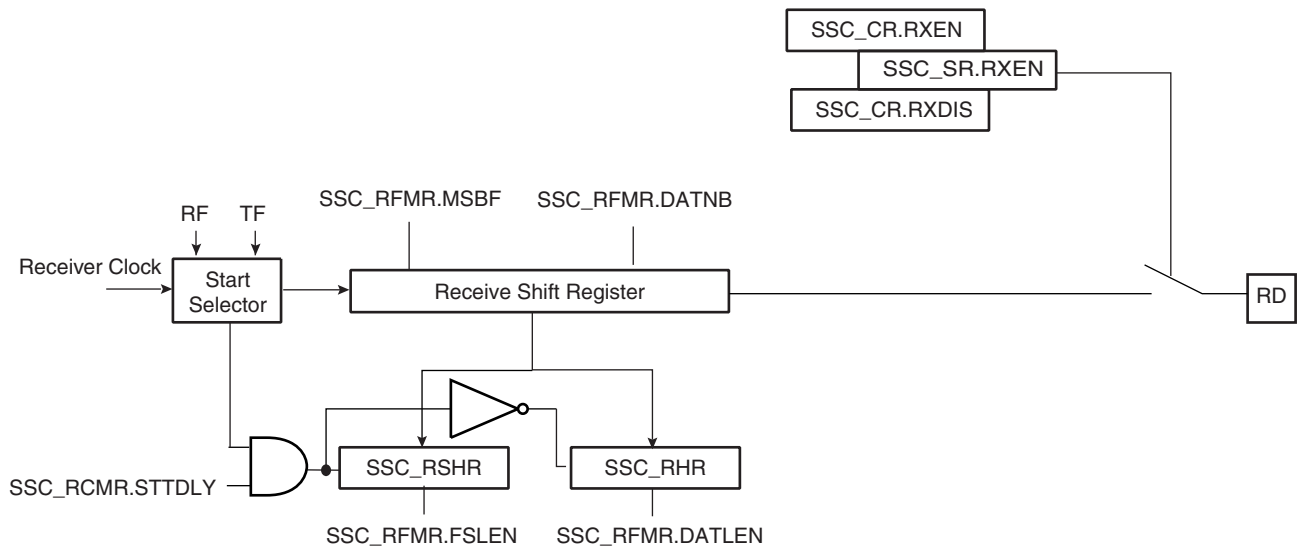
The start event is configured setting the Receive Clock Mode Register (SSC\_RCMR). See [“Start” on page 411](#).

The frame synchronization is configured setting the Receive Frame Mode Register (SSC\_RFMR). See [“Frame Sync” on page 413](#).

The receiver uses a shift register clocked by the receiver clock signal and the start mode selected in the SSC\_RCMR. The data is transferred from the shift register depending on the data format selected.

When the receiver shift register is full, the SSC transfers this data in the holding register, the status flag RXRDY is set in SSC\_SR and the data can be read in the receiver holding register. If another transfer occurs before read of the RHR register, the status flag OVERUN is set in SSC\_SR and the receiver shift register is transferred in the RHR register.

**Figure 32-9.** Receiver Block Diagram



## 32.6.4 Start

The transmitter and receiver can both be programmed to start their operations when an event occurs, respectively in the Transmit Start Selection (START) field of SSC\_TCMR and in the Receive Start Selection (START) field of SSC\_RCMR.

Under the following conditions the start event is independently programmable:

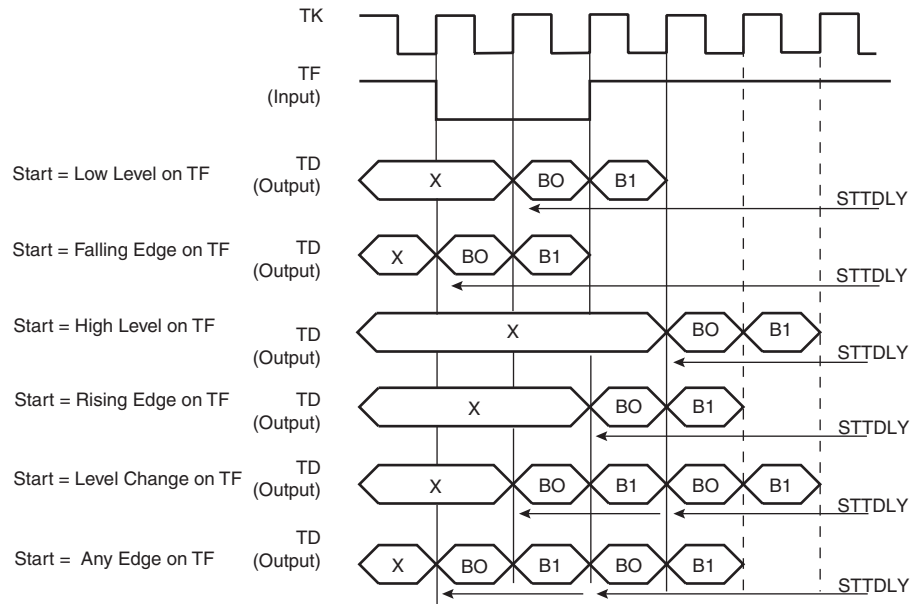
- Continuous. In this case, the transmission starts as soon as a word is written in SSC\_THR and the reception starts as soon as the Receiver is enabled.
- Synchronously with the transmitter/receiver
- On detection of a falling/rising edge on TF/RF
- On detection of a low level/high level on TF/RF
- On detection of a level change or an edge on TF/RF

A start can be programmed in the same manner on either side of the Transmit/Receive Clock Register (RCMR/TCMR). Thus, the start could be on TF (Transmit) or RF (Receive).

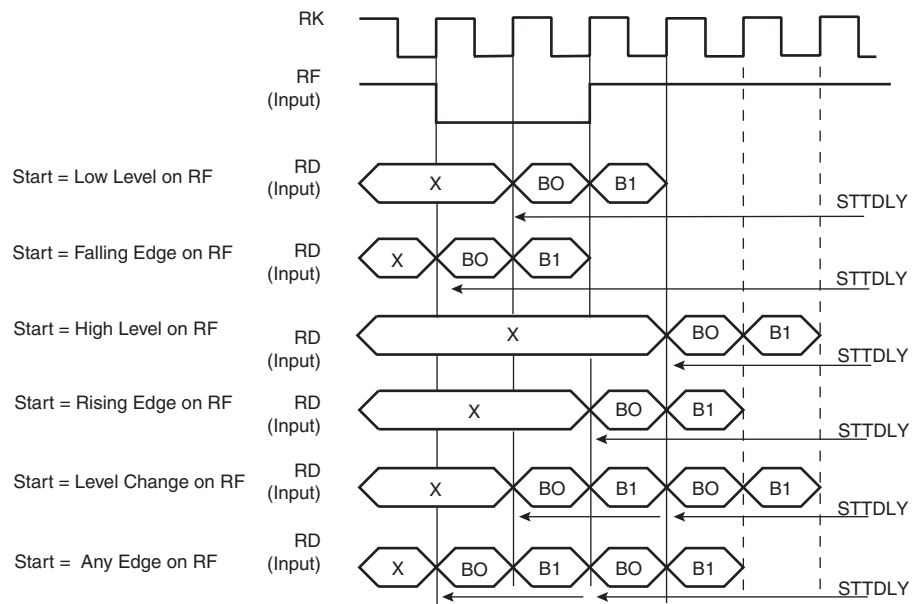
Moreover, the Receiver can start when data is detected in the bit stream with the Compare Functions.

Detection on TF/RF input/output is done by the field FSOS of the Transmit/Receive Frame Mode Register (TFMR/RFMR).

**Figure 32-10. Transmit Start Mode**



**Figure 32-11. Receive Pulse/Edge Start Modes**



## 32.6.5 Frame Sync

The Transmitter and Receiver Frame Sync pins, TF and RF, can be programmed to generate different kinds of frame synchronization signals. The Frame Sync Output Selection (FSOS) field in the Receive Frame Mode Register (SSC\_RFMR) and in the Transmit Frame Mode Register (SSC\_TFMR) are used to select the required waveform.

- Programmable low or high levels during data transfer are supported.
- Programmable high levels before the start of data transfers or toggling are also supported.

If a pulse waveform is selected, the Frame Sync Length (FSLEN) field in SSC\_RFMR and SSC\_TFMR programs the length of the pulse, from 1 bit time up to 16 bit time.

The periodicity of the Receive and Transmit Frame Sync pulse output can be programmed through the Period Divider Selection (PERIOD) field in SSC\_RCMR and SSC\_TCMR.

### 32.6.5.1 Frame Sync Data

Frame Sync Data transmits or receives a specific tag during the Frame Sync signal.

During the Frame Sync signal, the Receiver can sample the RD line and store the data in the Receive Sync Holding Register and the transmitter can transfer Transmit Sync Holding Register in the Shifter Register. The data length to be sampled/shifted out during the Frame Sync signal is programmed by the FSLEN field in SSC\_RFMR/SSC\_TFMR and has a maximum value of 16.

Concerning the Receive Frame Sync Data operation, if the Frame Sync Length is equal to or lower than the delay between the start event and the actual data reception, the data sampling operation is performed in the Receive Sync Holding Register through the Receive Shift Register.

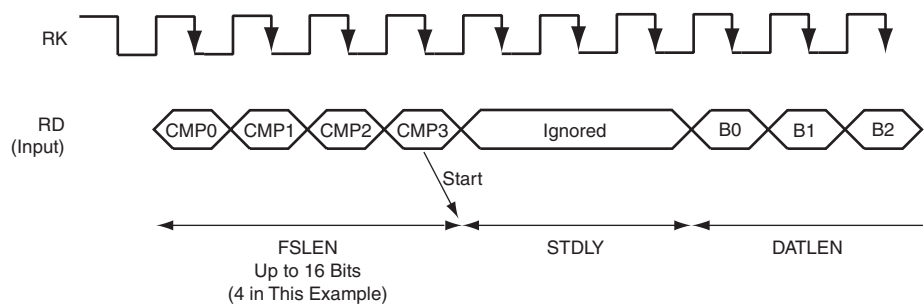
The Transmit Frame Sync Operation is performed by the transmitter only if the bit Frame Sync Data Enable (FSDEN) in SSC\_TFMR is set. If the Frame Sync length is equal to or lower than the delay between the start event and the actual data transmission, the normal transmission has priority and the data contained in the Transmit Sync Holding Register is transferred in the Transmit Register, then shifted out.

### 32.6.5.2 Frame Sync Edge Detection

The Frame Sync Edge detection is programmed by the FSEDGE field in SSC\_RFMR/SSC\_TFMR. This sets the corresponding flags RXSYN/TXSYN in the SSC Status Register (SSC\_SR) on frame synchro edge detection (signals RF/TF).

## 32.6.6 Receive Compare Modes

**Figure 32-12.** Receive Compare Modes



### 32.6.6.1 Compare Functions

Length of the comparison patterns (Compare 0, Compare 1) and thus the number of bits they are compared to is defined by FSLEN, but with a maximum value of 16 bits. Comparison is always done by comparing the last bits received with the comparison pattern. Compare 0 can be one start event of the Receiver. In this case, the receiver compares at each new sample the last bits received at the Compare 0 pattern contained in the Compare 0 Register (SSC\_RC0R). When this start event is selected, the user can program the Receiver to start a new data transfer either by writing a new Compare 0, or by receiving continuously until Compare 1 occurs. This selection is done with the bit (STOP) in SSC\_RCMR.

### 32.6.7 Data Format

The data framing format of both the transmitter and the receiver are programmable through the Transmitter Frame Mode Register (SSC\_TFMR) and the Receiver Frame Mode Register (SSC\_RFMR). In either case, the user can independently select:

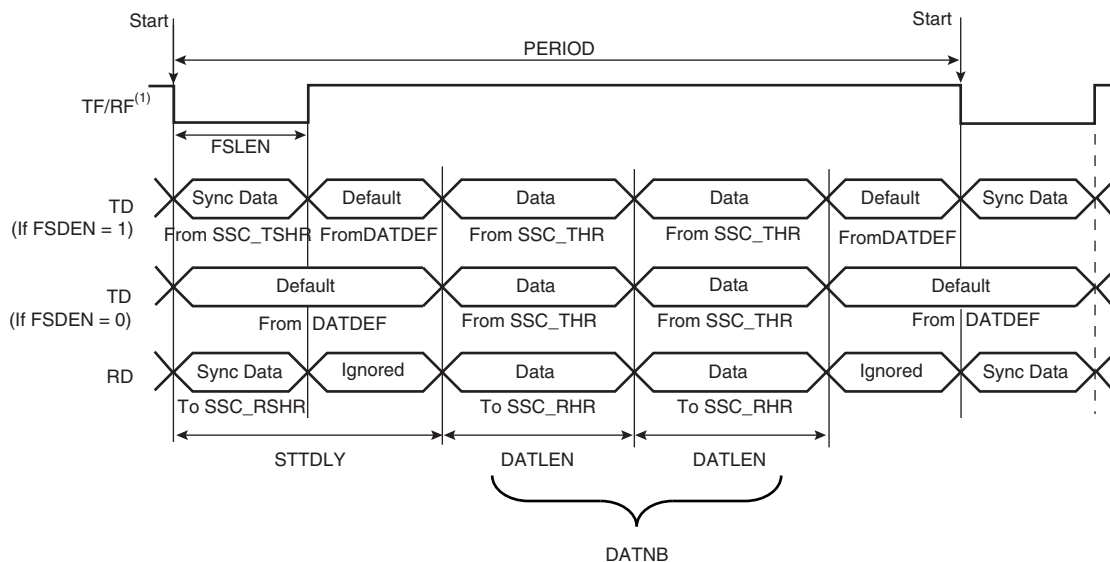
- the event that starts the data transfer (START)
- the delay in number of bit periods between the start event and the first data bit (STTDLY)
- the length of the data (DATLEN)
- the number of data to be transferred for each start event (DATNB).
- the length of synchronization transferred for each start event (FSLEN)
- the bit sense: most or lowest significant bit first (MSBF)

Additionally, the transmitter can be used to transfer synchronization and select the level driven on the TD pin while not in data transfer operation. This is done respectively by the Frame Sync Data Enable (FSDEN) and by the Data Default Value (DATDEF) bits in SSC\_TFMR.

**Table 32-3.** Data Frame Registers

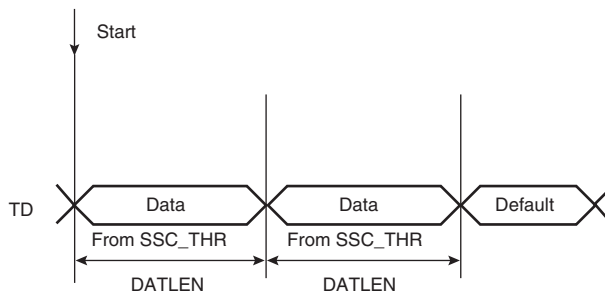
| Transmitter | Receiver | Field  | Length    | Comment                              |
|-------------|----------|--------|-----------|--------------------------------------|
| SSC_TFMR    | SSC_RFMR | DATLEN | Up to 32  | Size of word                         |
| SSC_TFMR    | SSC_RFMR | DATNB  | Up to 16  | Number of words transmitted in frame |
| SSC_TFMR    | SSC_RFMR | MSBF   |           | Most significant bit first           |
| SSC_TFMR    | SSC_RFMR | FSLEN  | Up to 16  | Size of Synchro data register        |
| SSC_TFMR    |          | DATDEF | 0 or 1    | Data default value ended             |
| SSC_TFMR    |          | FSDEN  |           | Enable send SSC_TSHR                 |
| SSC_TCMR    | SSC_RCMR | PERIOD | Up to 512 | Frame size                           |
| SSC_TCMR    | SSC_RCMR | STTDLY | Up to 255 | Size of transmit start delay         |

**Figure 32-13.** Transmit and Receive Frame Format in Edge/Pulse Start Modes



Note: 1. Example of input on falling edge of TF/RF.

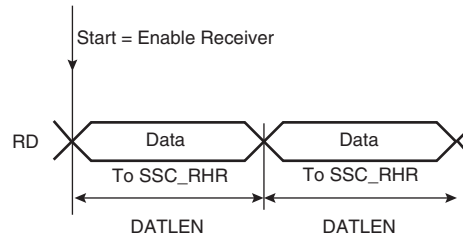
**Figure 32-14.** Transmit Frame Format in Continuous Mode



Start: 1. TXEMPTY set to 1  
2. Write into the SSC\_THR

Note: 1. STTDLY is set to 0. In this example, SSC\_THR is loaded twice. FSDEN value has no effect on the transmission. SyncData cannot be output in continuous mode.

**Figure 32-15.** Receive Frame Format in Continuous Mode



Note: 1. STTDLY is set to 0.

### 32.6.8 Loop Mode

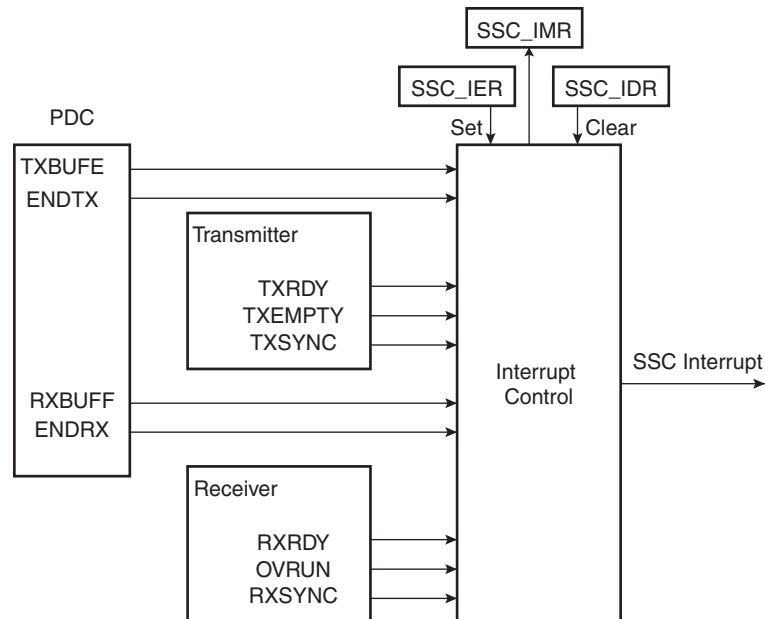
The receiver can be programmed to receive transmissions from the transmitter. This is done by setting the Loop Mode (LOOP) bit in SSC\_RFMR. In this case, RD is connected to TD, RF is connected to TF and RK is connected to TK.

### 32.6.9 Interrupt

Most bits in SSC\_SR have a corresponding bit in interrupt management registers.

The SSC can be programmed to generate an interrupt when it detects an event. The interrupt is controlled by writing SSC\_IER (Interrupt Enable Register) and SSC\_IDR (Interrupt Disable Register). These registers enable and disable, respectively, the corresponding interrupt by setting and clearing the corresponding bit in SSC\_IMR (Interrupt Mask Register), which controls the generation of interrupts by asserting the SSC interrupt line connected to the AIC.

**Figure 32-16.** Interrupt Block Diagram

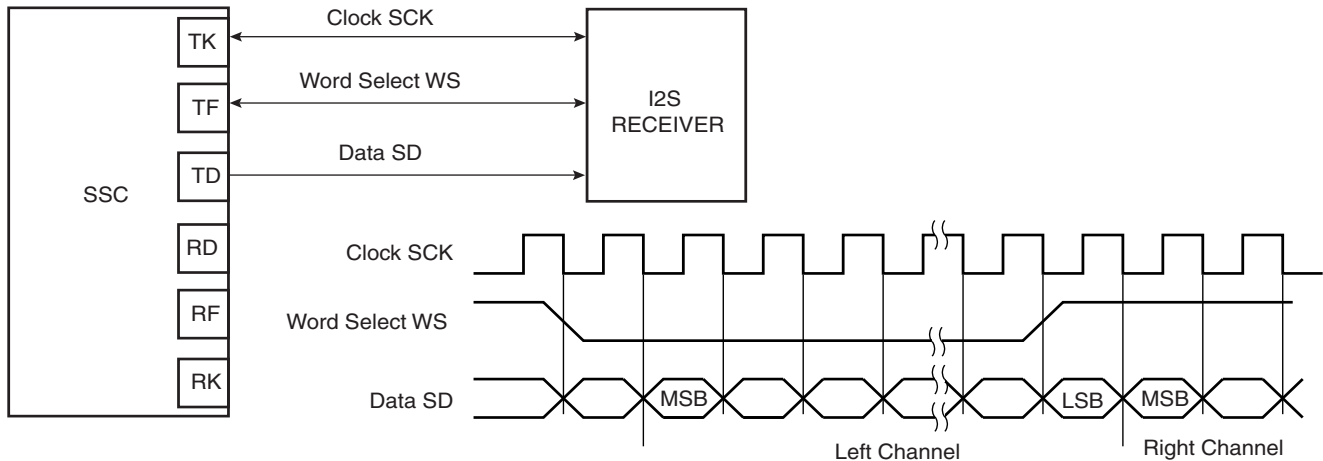




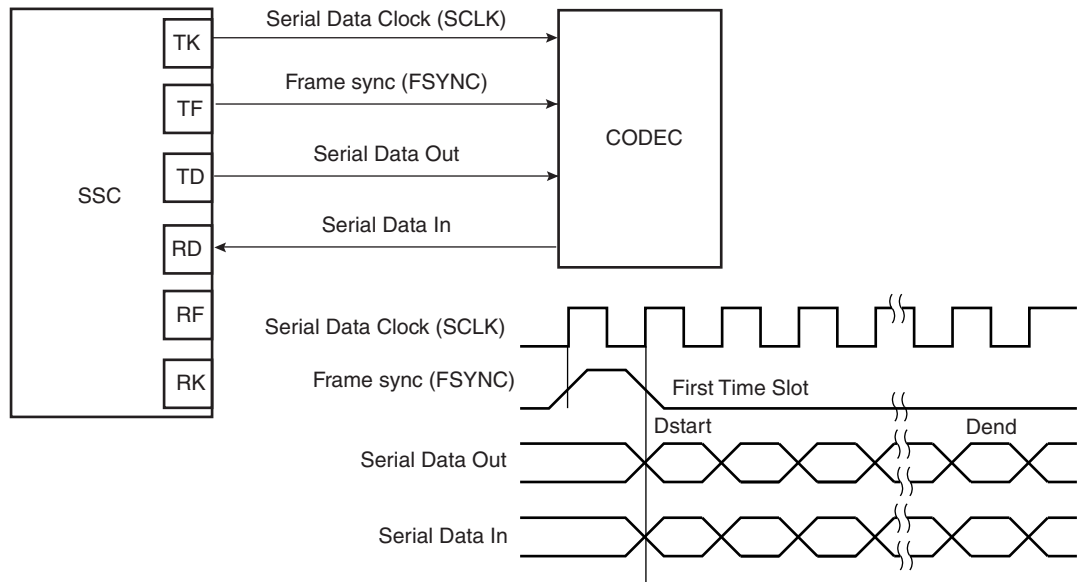
## 32.7 SSC Application Examples

The SSC can support several serial communication modes used in audio or high speed serial links. Some standard applications are shown in the following figures. All serial link applications supported by the SSC are not listed here.

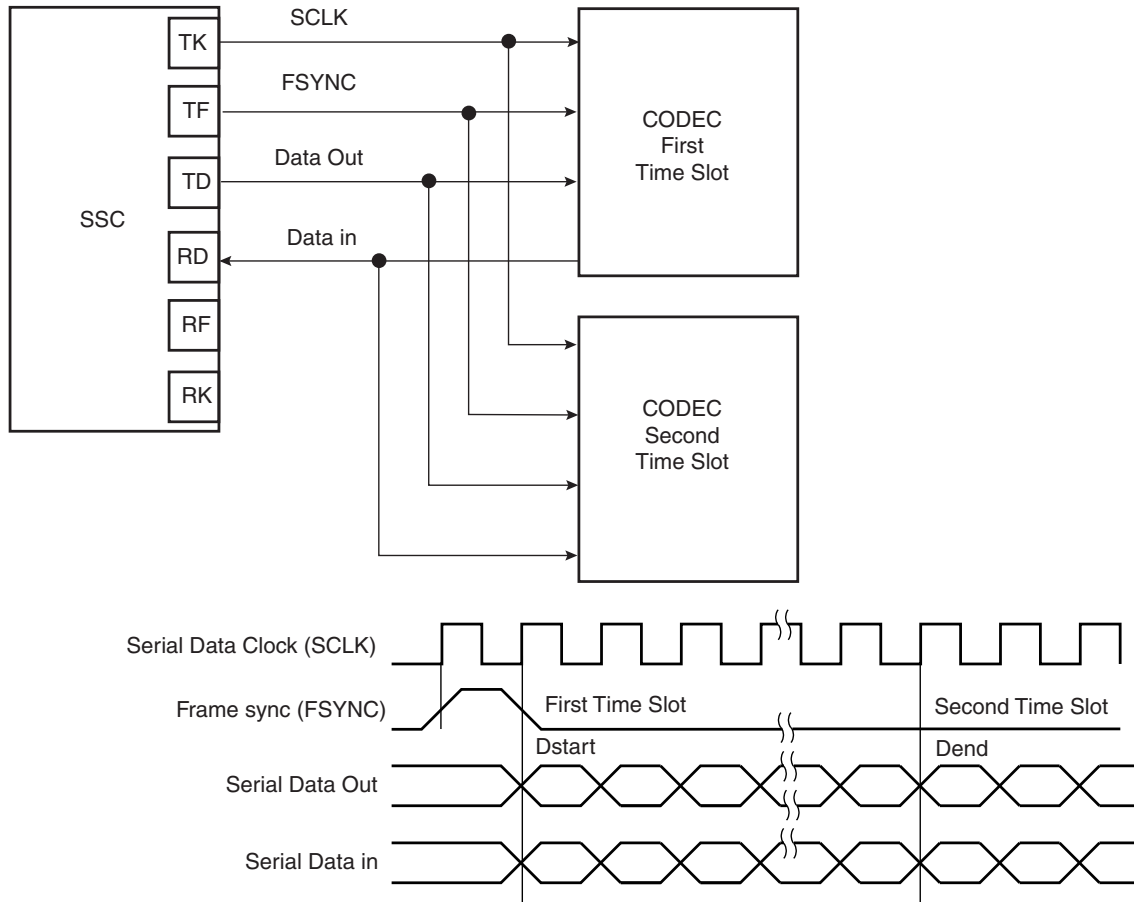
**Figure 32-17.** Audio Application Block Diagram



**Figure 32-18.** Codec Application Block Diagram



**Figure 32-19.** Time Slot Application Block Diagram



## 32.8 Synchronous Serial Controller (SSC) User Interface

**Table 32-4.** Register Mapping

| Offset       | Register                                      | Name     | Access     | Reset      |
|--------------|---|----------|------------|------------|
| 0x0          | Control Register                              | SSC_CR   | Write      | –          |
| 0x4          | Clock Mode Register                           | SSC_CMR  | Read-write | 0x0        |
| 0x8          | Reserved                                      | –        | –          | –          |
| 0xC          | Reserved                                      | –        | –          | –          |
| 0x10         | Receive Clock Mode Register                   | SSC_RCMR | Read-write | 0x0        |
| 0x14         | Receive Frame Mode Register                   | SSC_RFMR | Read-write | 0x0        |
| 0x18         | Transmit Clock Mode Register                  | SSC_TCMR | Read-write | 0x0        |
| 0x1C         | Transmit Frame Mode Register                  | SSC_TFMR | Read-write | 0x0        |
| 0x20         | Receive Holding Register                      | SSC_RHR  | Read       | 0x0        |
| 0x24         | Transmit Holding Register                     | SSC_THR  | Write      | –          |
| 0x28         | Reserved                                      | –        | –          | –          |
| 0x2C         | Reserved                                      | –        | –          | –          |
| 0x30         | Receive Sync. Holding Register                | SSC_RSHR | Read       | 0x0        |
| 0x34         | Transmit Sync. Holding Register               | SSC_TSHR | Read-write | 0x0        |
| 0x38         | Receive Compare 0 Register                    | SSC_RC0R | Read-write | 0x0        |
| 0x3C         | Receive Compare 1 Register                    | SSC_RC1R | Read-write | 0x0        |
| 0x40         | Status Register                               | SSC_SR   | Read       | 0x000000CC |
| 0x44         | Interrupt Enable Register                     | SSC_IER  | Write      | –          |
| 0x48         | Interrupt Disable Register                    | SSC_IDR  | Write      | –          |
| 0x4C         | Interrupt Mask Register                       | SSC_IMR  | Read       | 0x0        |
| 0x50-0xFC    | Reserved                                      | –        | –          | –          |
| 0x100- 0x124 | Reserved for Peripheral Data Controller (PDC) | –        | –          | –          |

### 32.8.1 SSC Control Register

**Name:** SSC\_CR

**Access Type:** Write-only

|       |    |    |    |    |    |       |      |
|-------|----|----|----|----|----|-------|------|
| 31    | 30 | 29 | 28 | 27 | 26 | 25    | 24   |
| –     | –  | –  | –  | –  | –  | –     | –    |
| 23    | 22 | 21 | 20 | 19 | 18 | 17    | 16   |
| –     | –  | –  | –  | –  | –  | –     | –    |
| 15    | 14 | 13 | 12 | 11 | 10 | 9     | 8    |
| SWRST | –  | –  | –  | –  | –  | TXDIS | TXEN |
| 7     | 6  | 5  | 4  | 3  | 2  | 1     | 0    |
| –     | –  | –  | –  | –  | –  | RXDIS | RXEN |

- **RXEN: Receive Enable**

0 = No effect.

1 = Enables Receive if RXDIS is not set.

- **RXDIS: Receive Disable**

0 = No effect.

1 = Disables Receive. If a character is currently being received, disables at end of current character reception.

- **TXEN: Transmit Enable**

0 = No effect.

1 = Enables Transmit if TXDIS is not set.

- **TXDIS: Transmit Disable**

0 = No effect.

1 = Disables Transmit. If a character is currently being transmitted, disables at end of current character transmission.

- **SWRST: Software Reset**

0 = No effect.

1 = Performs a software reset. Has priority on any other bit in SSC\_CR.

## 32.8.2 SSC Clock Mode Register

**Name:** SSC\_CMCR

**Access Type:** Read-write

|     |    |    |    |     |    |    |    |
|-----|----|----|----|-----|----|----|----|
| 31  | 30 | 29 | 28 | 27  | 26 | 25 | 24 |
| -   | -  | -  | -  | -   | -  | -  | -  |
| 23  | 22 | 21 | 20 | 19  | 18 | 17 | 16 |
| -   | -  | -  | -  | -   | -  | -  | -  |
| 15  | 14 | 13 | 12 | 11  | 10 | 9  | 8  |
| -   | -  | -  | -  | DIV |    |    |    |
| 7   | 6  | 5  | 4  | 3   | 2  | 1  | 0  |
| DIV |    |    |    |     |    |    |    |

- **DIV: Clock Divider**

0 = The Clock Divider is not active.

Any Other Value: The Divided Clock equals the Master Clock divided by 2 times DIV. The maximum bit rate is  $MCK/2$ . The minimum bit rate is  $MCK/2 \times 4095 = MCK/8190$ .

### 32.8.3 SSC Receive Clock Mode Register

Name: SSC\_RCMR

Access Type: Read-write

|        |    |     |      |       |    |     |    |
|--------|----|-----|------|-------|----|-----|----|
| 31     | 30 | 29  | 28   | 27    | 26 | 25  | 24 |
| PERIOD |    |     |      |       |    |     |    |
| 23     | 22 | 21  | 20   | 19    | 18 | 17  | 16 |
| STTDLY |    |     |      |       |    |     |    |
| 15     | 14 | 13  | 12   | 11    | 10 | 9   | 8  |
| -      | -  | -   | STOP | START |    |     |    |
| 7      | 6  | 5   | 4    | 3     | 2  | 1   | 0  |
| CKG    |    | CKI | CKO  |       |    | CKS |    |

#### • CKS: Receive Clock Selection

| CKS | Selected Receive Clock |
|-----|------------------------|
| 0x0 | Divided Clock          |
| 0x1 | TK Clock signal        |
| 0x2 | RK pin                 |
| 0x3 | Reserved               |

#### • CKO: Receive Clock Output Mode Selection

| CKO     | Receive Clock Output Mode                | RK pin     |
|---------|--|------------|
| 0x0     | None                                     | Input-only |
| 0x1     | Continuous Receive Clock                 | Output     |
| 0x2     | Receive Clock only during data transfers | Output     |
| 0x3-0x7 | Reserved                                 |            |

#### • CKI: Receive Clock Inversion

0 = The data inputs (Data and Frame Sync signals) are sampled on Receive Clock falling edge. The Frame Sync signal output is shifted out on Receive Clock rising edge.

1 = The data inputs (Data and Frame Sync signals) are sampled on Receive Clock rising edge. The Frame Sync signal output is shifted out on Receive Clock falling edge.

CKI affects only the Receive Clock and not the output clock signal.

- **CKG: Receive Clock Gating Selection**

| CKG | Receive Clock Gating                  |
|-----|---------------------------------------|
| 0x0 | None, continuous clock                |
| 0x1 | Receive Clock enabled only if RF Low  |
| 0x2 | Receive Clock enabled only if RF High |
| 0x3 | Reserved                              |

- **START: Receive Start Selection**

| START   | Receive Start   |
|---------|---|
| 0x0     | Continuous, as soon as the receiver is enabled, and immediately after the end of transfer of the previous data. |
| 0x1     | Transmit start  |
| 0x2     | Detection of a low level on RF signal   |
| 0x3     | Detection of a high level on RF signal  |
| 0x4     | Detection of a falling edge on RF signal  |
| 0x5     | Detection of a rising edge on RF signal   |
| 0x6     | Detection of any level change on RF signal  |
| 0x7     | Detection of any edge on RF signal  |
| 0x8     | Compare 0   |
| 0x9-0xF | Reserved  |

- **STOP: Receive Stop Selection**

0 = After completion of a data transfer when starting with a Compare 0, the receiver stops the data transfer and waits for a new compare 0.

1 = After starting a receive with a Compare 0, the receiver operates in a continuous mode until a Compare 1 is detected.

- **STTDLY: Receive Start Delay**

If STTDLY is not 0, a delay of STTDLY clock cycles is inserted between the start event and the actual start of reception. When the Receiver is programmed to start synchronously with the Transmitter, the delay is also applied.

Note: It is very important that STTDLY be set carefully. If STTDLY must be set, it should be done in relation to TAG (Receive Sync Data) reception.

- **PERIOD: Receive Period Divider Selection**

This field selects the divider to apply to the selected Receive Clock in order to generate a new Frame Sync Signal. If 0, no PERIOD signal is generated. If not 0, a PERIOD signal is generated each 2 x (PERIOD+1) Receive Clock.

### 32.8.4 SSC Receive Frame Mode Register

**Name:** SSC\_RFMR

**Access Type:** Read-write

|      |      |      |        |       |    |    |         |
|------|------|------|--------|-------|----|----|---------|
| 31   | 30   | 29   | 28     | 27    | 26 | 25 | 24      |
| –    | –    | –    | –      | –     | –  | –  | FSEEDGE |
| 23   | 22   | 21   | 20     | 19    | 18 | 17 | 16      |
| –    | FSOS |      |        | FSLEN |    |    |         |
| 15   | 14   | 13   | 12     | 11    | 10 | 9  | 8       |
| –    | –    | –    | –      | DATNB |    |    |         |
| 7    | 6    | 5    | 4      | 3     | 2  | 1  | 0       |
| MSBF | –    | LOOP | DATLEN |       |    |    |         |

- **DATLEN: Data Length**

0 = Forbidden value (1-bit data length not supported).

Any other value: The bit stream contains DATLEN + 1 data bits. Moreover, it defines the transfer size performed by the PDC2 assigned to the Receiver. If DATLEN is lower or equal to 7, data transfers are in bytes. If DATLEN is between 8 and 15 (included), half-words are transferred, and for any other value, 32-bit words are transferred.

- **LOOP: Loop Mode**

0 = Normal operating mode.

1 = RD is driven by TD, RF is driven by TF and TK drives RK.

- **MSBF: Most Significant Bit First**

0 = The lowest significant bit of the data register is sampled first in the bit stream.

1 = The most significant bit of the data register is sampled first in the bit stream.

- **DATNB: Data Number per Frame**

This field defines the number of data words to be received after each transfer start, which is equal to (DATNB + 1).

- **FSLEN: Receive Frame Sync Length**

This field defines the number of bits sampled and stored in the Receive Sync Data Register. When this mode is selected by the START field in the Receive Clock Mode Register, it also determines the length of the sampled data to be compared to the Compare 0 or Compare 1 register.

This field is used with FSLEN\_EXT to determine the pulse length of the Receive Frame Sync signal.

Pulse length is equal to FSLEN + 1 Receive Clock periods.



- **FSOS: Receive Frame Sync Output Selection**

| FSOS    | Selected Receive Frame Sync Signal      | RF Pin     |
|---------|---|------------|
| 0x0     | None                                    | Input-only |
| 0x1     | Negative Pulse                          | Output     |
| 0x2     | Positive Pulse                          | Output     |
| 0x3     | Driven Low during data transfer         | Output     |
| 0x4     | Driven High during data transfer        | Output     |
| 0x5     | Toggling at each start of data transfer | Output     |
| 0x6-0x7 | Reserved                                | Undefined  |

- **FSEDGE: Frame Sync Edge Detection**

Determines which edge on Frame Sync will generate the interrupt RXSYN in the SSC Status Register.

| FSEDGE | Frame Sync Edge Detection |
|--------|---------------------------|
| 0x0    | Positive Edge Detection   |
| 0x1    | Negative Edge Detection   |

### 32.8.5 SSC Transmit Clock Mode Register

Name: SSC\_TCMR

Access Type: Read-write

|        |    |     |     |       |    |     |    |
|--------|----|-----|-----|-------|----|-----|----|
| 31     | 30 | 29  | 28  | 27    | 26 | 25  | 24 |
| PERIOD |    |     |     |       |    |     |    |
| 23     | 22 | 21  | 20  | 19    | 18 | 17  | 16 |
| STTDLY |    |     |     |       |    |     |    |
| 15     | 14 | 13  | 12  | 11    | 10 | 9   | 8  |
| -      | -  | -   | -   | START |    |     |    |
| 7      | 6  | 5   | 4   | 3     | 2  | 1   | 0  |
| CKG    |    | CKI | CKO |       |    | CKS |    |

#### • CKS: Transmit Clock Selection

| CKS | Selected Transmit Clock |
|-----|-------------------------|
| 0x0 | Divided Clock           |
| 0x1 | RK Clock signal         |
| 0x2 | TK Pin                  |
| 0x3 | Reserved                |

#### • CKO: Transmit Clock Output Mode Selection

| CKO     | Transmit Clock Output Mode                | TK pin     |
|---------|---|------------|
| 0x0     | None                                      | Input-only |
| 0x1     | Continuous Transmit Clock                 | Output     |
| 0x2     | Transmit Clock only during data transfers | Output     |
| 0x3-0x7 | Reserved                                  |            |

#### • CKI: Transmit Clock Inversion

0 = The data outputs (Data and Frame Sync signals) are shifted out on Transmit Clock falling edge. The Frame sync signal input is sampled on Transmit clock rising edge.

1 = The data outputs (Data and Frame Sync signals) are shifted out on Transmit Clock rising edge. The Frame sync signal input is sampled on Transmit clock falling edge.

CKI affects only the Transmit Clock and not the output clock signal.

- **CKG: Transmit Clock Gating Selection**

| CKG | Transmit Clock Gating                  |
|-----|--|
| 0x0 | None, continuous clock                 |
| 0x1 | Transmit Clock enabled only if TF Low  |
| 0x2 | Transmit Clock enabled only if TF High |
| 0x3 | Reserved                               |

- **START: Transmit Start Selection**

| START     | Transmit Start   |
|-----------|--|
| 0x0       | Continuous, as soon as a word is written in the SSC_THR Register (if Transmit is enabled), and immediately after the end of transfer of the previous data. |
| 0x1       | Receive start  |
| 0x2       | Detection of a low level on TF signal  |
| 0x3       | Detection of a high level on TF signal   |
| 0x4       | Detection of a falling edge on TF signal   |
| 0x5       | Detection of a rising edge on TF signal  |
| 0x6       | Detection of any level change on TF signal   |
| 0x7       | Detection of any edge on TF signal   |
| 0x8 - 0xF | Reserved   |

- **STTDLY: Transmit Start Delay**

If STTDLY is not 0, a delay of STTDLY clock cycles is inserted between the start event and the actual start of transmission of data. When the Transmitter is programmed to start synchronously with the Receiver, the delay is also applied.

Note: STTDLY must be set carefully. If STTDLY is too short in respect to TAG (Transmit Sync Data) emission, data is emitted instead of the end of TAG.

- **PERIOD: Transmit Period Divider Selection**

This field selects the divider to apply to the selected Transmit Clock to generate a new Frame Sync Signal. If 0, no period signal is generated. If not 0, a period signal is generated at each  $2 \times (\text{PERIOD} + 1)$  Transmit Clock.



### 32.8.6 SSC Transmit Frame Mode Register

Name: SSC\_TFMR

Access Type: Read-write

|       |      |        |        |       |    |    |        |
|-------|------|--------|--------|-------|----|----|--------|
| 31    | 30   | 29     | 28     | 27    | 26 | 25 | 24     |
| -     | -    | -      | -      | -     | -  | -  | FSEDGE |
| 23    | 22   | 21     | 20     | 19    | 18 | 17 | 16     |
| FSDEN | FSOS |        |        | FSLEN |    |    |        |
| 15    | 14   | 13     | 12     | 11    | 10 | 9  | 8      |
| -     | -    | -      | -      | DATNB |    |    |        |
| 7     | 6    | 5      | 4      | 3     | 2  | 1  | 0      |
| MSBF  | -    | DATDEF | DATLEN |       |    |    |        |

• **DATLEN: Data Length**

0 = Forbidden value (1-bit data length not supported).

Any other value: The bit stream contains DATLEN + 1 data bits. Moreover, it defines the transfer size performed by the PDC2 assigned to the Transmit. If DATLEN is lower or equal to 7, data transfers are bytes, if DATLEN is between 8 and 15 (included), half-words are transferred, and for any other value, 32-bit words are transferred.

• **DATDEF: Data Default Value**

This bit defines the level driven on the TD pin while out of transmission. Note that if the pin is defined as multi-drive by the PIO Controller, the pin is enabled only if the SCC TD output is 1.

• **MSBF: Most Significant Bit First**

0 = The lowest significant bit of the data register is shifted out first in the bit stream.

1 = The most significant bit of the data register is shifted out first in the bit stream.

• **DATNB: Data Number per frame**

This field defines the number of data words to be transferred after each transfer start, which is equal to (DATNB +1).

• **FSLEN: Transmit Frame Sync Length**

This field defines the length of the Transmit Frame Sync signal and the number of bits shifted out from the Transmit Sync Data Register if FSDEN is 1.

This field is used with FSLEN\_EXT to determine the pulse length of the Transmit Frame Sync signal.

Pulse length is equal to FSLEN + 1 Transmit Clock periods.

- **FSOS: Transmit Frame Sync Output Selection**

| FSOS    | Selected Transmit Frame Sync Signal     | TF Pin     |
|---------|---|------------|
| 0x0     | None                                    | Input-only |
| 0x1     | Negative Pulse                          | Output     |
| 0x2     | Positive Pulse                          | Output     |
| 0x3     | Driven Low during data transfer         | Output     |
| 0x4     | Driven High during data transfer        | Output     |
| 0x5     | Toggling at each start of data transfer | Output     |
| 0x6-0x7 | Reserved                                | Undefined  |

- **FSDEN: Frame Sync Data Enable**

0 = The TD line is driven with the default value during the Transmit Frame Sync signal.

1 = SSC\_TSHR value is shifted out during the transmission of the Transmit Frame Sync signal.

- **FSEDGE: Frame Sync Edge Detection**

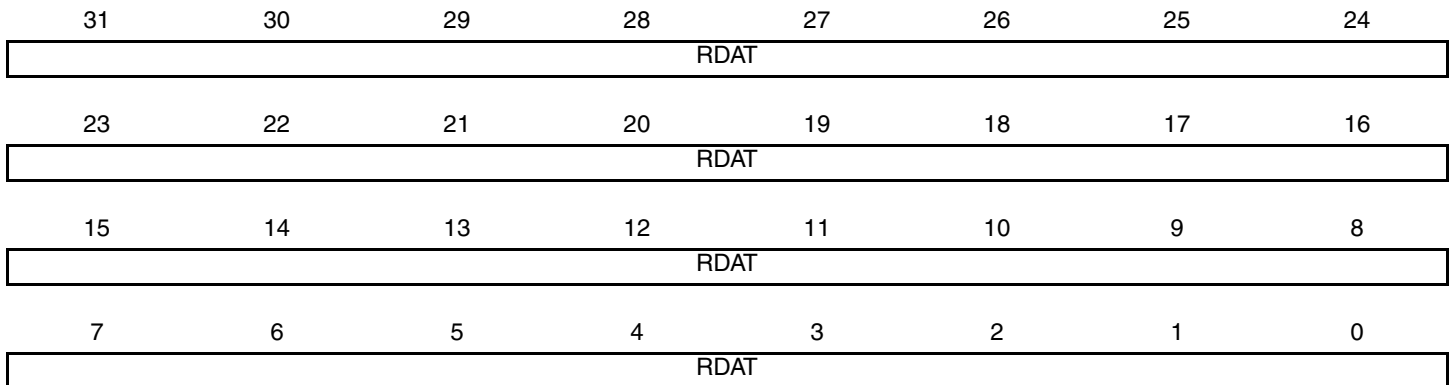
Determines which edge on frame sync will generate the interrupt TXSYN (Status Register).

| FSEDGE | Frame Sync Edge Detection |
|--------|---------------------------|
| 0x0    | Positive Edge Detection   |
| 0x1    | Negative Edge Detection   |

### 32.8.7 SSC Receive Holding Register

**Name:** SSC\_RHR

**Access Type:** Read-only



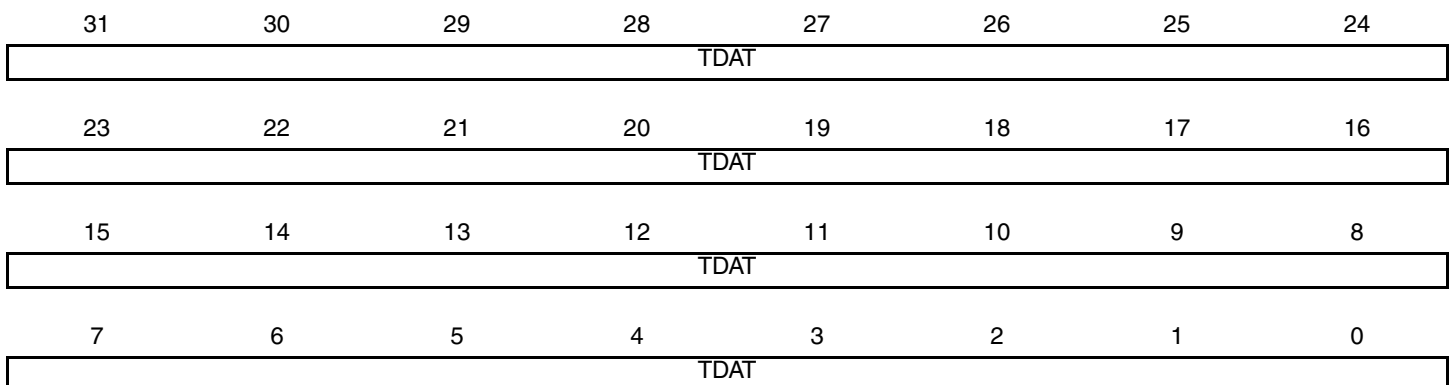
- **RDAT: Receive Data**

Right aligned regardless of the number of data bits defined by DATLEN in SSC\_RFMR.

### 32.8.8 SSC Transmit Holding Register

**Name:** SSC\_THR

**Access Type:** Write-only



- **TDAT: Transmit Data**

Right aligned regardless of the number of data bits defined by DATLEN in SSC\_TFMR.

## 32.8.9 SSC Receive Synchronization Holding Register

Name: SSC\_RSHR

Access Type: Read-only

|       |    |    |    |    |    |    |    |
|-------|----|----|----|----|----|----|----|
| 31    | 30 | 29 | 28 | 27 | 26 | 25 | 24 |
| –     | –  | –  | –  | –  | –  | –  | –  |
| 23    | 22 | 21 | 20 | 19 | 18 | 17 | 16 |
| –     | –  | –  | –  | –  | –  | –  | –  |
| 15    | 14 | 13 | 12 | 11 | 10 | 9  | 8  |
| RSDAT |    |    |    |    |    |    |    |
| 7     | 6  | 5  | 4  | 3  | 2  | 1  | 0  |
| RSDAT |    |    |    |    |    |    |    |

- RSDAT: Receive Synchronization Data

## 32.8.10 SSC Transmit Synchronization Holding Register

Name: SSC\_TSHR

Access Type: Read-write

|       |    |    |    |    |    |    |    |
|-------|----|----|----|----|----|----|----|
| 31    | 30 | 29 | 28 | 27 | 26 | 25 | 24 |
| –     | –  | –  | –  | –  | –  | –  | –  |
| 23    | 22 | 21 | 20 | 19 | 18 | 17 | 16 |
| –     | –  | –  | –  | –  | –  | –  | –  |
| 15    | 14 | 13 | 12 | 11 | 10 | 9  | 8  |
| TSDAT |    |    |    |    |    |    |    |
| 7     | 6  | 5  | 4  | 3  | 2  | 1  | 0  |
| TSDAT |    |    |    |    |    |    |    |

- TSDAT: Transmit Synchronization Data



### 32.8.11 SSC Receive Compare 0 Register

Name: SSC\_RC0R

Access Type: Read-write

|     |    |    |    |    |    |    |    |
|-----|----|----|----|----|----|----|----|
| 31  | 30 | 29 | 28 | 27 | 26 | 25 | 24 |
| –   | –  | –  | –  | –  | –  | –  | –  |
| 23  | 22 | 21 | 20 | 19 | 18 | 17 | 16 |
| –   | –  | –  | –  | –  | –  | –  | –  |
| 15  | 14 | 13 | 12 | 11 | 10 | 9  | 8  |
| CP0 |    |    |    |    |    |    |    |
| 7   | 6  | 5  | 4  | 3  | 2  | 1  | 0  |
| CP0 |    |    |    |    |    |    |    |

- CP0: Receive Compare Data 0

### 32.8.12 SSC Receive Compare 1 Register

Name: SSC\_RC1R

Access Type: Read-write

|     |    |    |    |    |    |    |    |
|-----|----|----|----|----|----|----|----|
| 31  | 30 | 29 | 28 | 27 | 26 | 25 | 24 |
| –   | –  | –  | –  | –  | –  | –  | –  |
| 23  | 22 | 21 | 20 | 19 | 18 | 17 | 16 |
| –   | –  | –  | –  | –  | –  | –  | –  |
| 15  | 14 | 13 | 12 | 11 | 10 | 9  | 8  |
| CP1 |    |    |    |    |    |    |    |
| 7   | 6  | 5  | 4  | 3  | 2  | 1  | 0  |
| CP1 |    |    |    |    |    |    |    |

- CP1: Receive Compare Data 1





## 32.8.13 SSC Status Register

**Name:** SSC\_SR

**Access Type:** Read-only

|        |       |       |       |        |       |         |       |
|--------|-------|-------|-------|--------|-------|---------|-------|
| 31     | 30    | 29    | 28    | 27     | 26    | 25      | 24    |
| –      | –     | –     | –     | –      | –     | –       | –     |
| 23     | 22    | 21    | 20    | 19     | 18    | 17      | 16    |
| –      | –     | –     | –     | –      | –     | RXEN    | TXEN  |
| 15     | 14    | 13    | 12    | 11     | 10    | 9       | 8     |
| –      | –     | –     | –     | RXSYN  | TXSYN | CP1     | CP0   |
| 7      | 6     | 5     | 4     | 3      | 2     | 1       | 0     |
| RXBUFF | ENDRX | OVRUN | RXRDY | TXBUFE | ENDTX | TXEMPTY | TXRDY |

- **TXRDY: Transmit Ready**

0 = Data has been loaded in SSC\_THR and is waiting to be loaded in the Transmit Shift Register (TSR).

1 = SSC\_THR is empty.

- **TXEMPTY: Transmit Empty**

0 = Data remains in SSC\_THR or is currently transmitted from TSR.

1 = Last data written in SSC\_THR has been loaded in TSR and last data loaded in TSR has been transmitted.

- **ENDTX: End of Transmission**

0 = The register SSC\_TCR has not reached 0 since the last write in SSC\_TCR or SSC\_TNCR.

1 = The register SSC\_TCR has reached 0 since the last write in SSC\_TCR or SSC\_TNCR.

- **TXBUFE: Transmit Buffer Empty**

0 = SSC\_TCR or SSC\_TNCR have a value other than 0.

1 = Both SSC\_TCR and SSC\_TNCR have a value of 0.

- **RXRDY: Receive Ready**

0 = SSC\_RHR is empty.

1 = Data has been received and loaded in SSC\_RHR.

- **OVRUN: Receive Overrun**

0 = No data has been loaded in SSC\_RHR while previous data has not been read since the last read of the Status Register.

1 = Data has been loaded in SSC\_RHR while previous data has not yet been read since the last read of the Status Register.

- **ENDRX: End of Reception**

0 = Data is written on the Receive Counter Register or Receive Next Counter Register.

1 = End of PDC transfer when Receive Counter Register has arrived at zero.

- **RXBUFF: Receive Buffer Full**

0 = SSC\_RCR or SSC\_RNCR have a value other than 0.

1 = Both SSC\_RCR and SSC\_RNCR have a value of 0.

- **CP0: Compare 0**

0 = A compare 0 has not occurred since the last read of the Status Register.

1 = A compare 0 has occurred since the last read of the Status Register.

- **CP1: Compare 1**

0 = A compare 1 has not occurred since the last read of the Status Register.

1 = A compare 1 has occurred since the last read of the Status Register.

- **TXSYN: Transmit Sync**

0 = A Tx Sync has not occurred since the last read of the Status Register.

1 = A Tx Sync has occurred since the last read of the Status Register.

- **RXSYN: Receive Sync**

0 = An Rx Sync has not occurred since the last read of the Status Register.

1 = An Rx Sync has occurred since the last read of the Status Register.

- **TXEN: Transmit Enable**

0 = Transmit is disabled.

1 = Transmit is enabled.

- **RXEN: Receive Enable**

0 = Receive is disabled.

1 = Receive is enabled.

## 32.8.14 SSC Interrupt Enable Register

**Name:** SSC\_IER

**Access Type:** Write-only

|        |       |       |       |        |       |         |       |
|--------|-------|-------|-------|--------|-------|---------|-------|
| 31     | 30    | 29    | 28    | 27     | 26    | 25      | 24    |
| –      | –     | –     | –     | –      | –     | –       | –     |
| 23     | 22    | 21    | 20    | 19     | 18    | 17      | 16    |
| –      | –     | –     | –     | –      | –     | –       | –     |
| 15     | 14    | 13    | 12    | 11     | 10    | 9       | 8     |
| –      | –     | –     | –     | RXSYN  | TXSYN | CP1     | CP0   |
| 7      | 6     | 5     | 4     | 3      | 2     | 1       | 0     |
| RXBUFF | ENDRX | OVRUN | RXRDY | TXBUFE | ENDTX | TXEMPTY | TXRDY |

- **TXRDY: Transmit Ready Interrupt Enable**

0 = No effect.

1 = Enables the Transmit Ready Interrupt.

- **TXEMPTY: Transmit Empty Interrupt Enable**

0 = No effect.

1 = Enables the Transmit Empty Interrupt.

- **ENDTX: End of Transmission Interrupt Enable**

0 = No effect.

1 = Enables the End of Transmission Interrupt.

- **TXBUFE: Transmit Buffer Empty Interrupt Enable**

0 = No effect.

1 = Enables the Transmit Buffer Empty Interrupt

- **RXRDY: Receive Ready Interrupt Enable**

0 = No effect.

1 = Enables the Receive Ready Interrupt.

- **OVRUN: Receive Overrun Interrupt Enable**

0 = No effect.

1 = Enables the Receive Overrun Interrupt.

- **ENDRX: End of Reception Interrupt Enable**

0 = No effect.

1 = Enables the End of Reception Interrupt.

- **RXBUFF: Receive Buffer Full Interrupt Enable**

0 = No effect.

1 = Enables the Receive Buffer Full Interrupt.

- **CP0: Compare 0 Interrupt Enable**

0 = No effect.

1 = Enables the Compare 0 Interrupt.

- **CP1: Compare 1 Interrupt Enable**

0 = No effect.

1 = Enables the Compare 1 Interrupt.

- **TXSYN: Tx Sync Interrupt Enable**

0 = No effect.

1 = Enables the Tx Sync Interrupt.

- **RXSYN: Rx Sync Interrupt Enable**

0 = No effect.

1 = Enables the Rx Sync Interrupt.

## 32.8.15 SSC Interrupt Disable Register

Name: SSC\_IDR

Access Type: Write-only

|        |       |       |       |        |       |         |       |
|--------|-------|-------|-------|--------|-------|---------|-------|
| 31     | 30    | 29    | 28    | 27     | 26    | 25      | 24    |
| –      | –     | –     | –     | –      | –     | –       | –     |
| 23     | 22    | 21    | 20    | 19     | 18    | 17      | 16    |
| –      | –     | –     | –     | –      | –     | –       | –     |
| 15     | 14    | 13    | 12    | 11     | 10    | 9       | 8     |
| –      | –     | –     | –     | RXSYN  | TXSYN | CP1     | CP0   |
| 7      | 6     | 5     | 4     | 3      | 2     | 1       | 0     |
| RXBUFF | ENDRX | OVRUN | RXRDY | TXBUFE | ENDTX | TXEMPTY | TXRDY |

- **TXRDY: Transmit Ready Interrupt Disable**

0 = No effect.

1 = Disables the Transmit Ready Interrupt.

- **TXEMPTY: Transmit Empty Interrupt Disable**

0 = No effect.

1 = Disables the Transmit Empty Interrupt.

- **ENDTX: End of Transmission Interrupt Disable**

0 = No effect.

1 = Disables the End of Transmission Interrupt.

- **TXBUFE: Transmit Buffer Empty Interrupt Disable**

0 = No effect.

1 = Disables the Transmit Buffer Empty Interrupt.

- **RXRDY: Receive Ready Interrupt Disable**

0 = No effect.

1 = Disables the Receive Ready Interrupt.

- **OVRUN: Receive Overrun Interrupt Disable**

0 = No effect.

1 = Disables the Receive Overrun Interrupt.

- **ENDRX: End of Reception Interrupt Disable**

0 = No effect.

1 = Disables the End of Reception Interrupt.

- **RXBUFF: Receive Buffer Full Interrupt Disable**

0 = No effect.

1 = Disables the Receive Buffer Full Interrupt.

- **CP0: Compare 0 Interrupt Disable**

0 = No effect.

1 = Disables the Compare 0 Interrupt.

- **CP1: Compare 1 Interrupt Disable**

0 = No effect.

1 = Disables the Compare 1 Interrupt.

- **TXSYN: Tx Sync Interrupt Enable**

0 = No effect.

1 = Disables the Tx Sync Interrupt.

- **RXSYN: Rx Sync Interrupt Enable**

0 = No effect.

1 = Disables the Rx Sync Interrupt.

## 32.8.16 SSC Interrupt Mask Register

Name: SSC\_IMR

Access Type: Read-only

|       |       |       |       |        |       |         |       |
|-------|-------|-------|-------|--------|-------|---------|-------|
| 31    | 30    | 29    | 28    | 27     | 26    | 25      | 24    |
| –     | –     | –     | –     | –      | –     | –       | –     |
| 23    | 22    | 21    | 20    | 19     | 18    | 17      | 16    |
| –     | –     | –     | –     | –      | –     | –       | –     |
| 15    | 14    | 13    | 12    | 11     | 10    | 9       | 8     |
| –     | –     | –     | –     | RXSYN  | TXSYN | CP1     | CP0   |
| 7     | 6     | 5     | 4     | 3      | 2     | 1       | 0     |
| RXBUF | ENDRX | OVRUN | RXRDY | TXBUFE | ENDTX | TXEMPTY | TXRDY |

- **TXRDY: Transmit Ready Interrupt Mask**

0 = The Transmit Ready Interrupt is disabled.

1 = The Transmit Ready Interrupt is enabled.

- **TXEMPTY: Transmit Empty Interrupt Mask**

0 = The Transmit Empty Interrupt is disabled.

1 = The Transmit Empty Interrupt is enabled.

- **ENDTX: End of Transmission Interrupt Mask**

0 = The End of Transmission Interrupt is disabled.

1 = The End of Transmission Interrupt is enabled.

- **TXBUFE: Transmit Buffer Empty Interrupt Mask**

0 = The Transmit Buffer Empty Interrupt is disabled.

1 = The Transmit Buffer Empty Interrupt is enabled.

- **RXRDY: Receive Ready Interrupt Mask**

0 = The Receive Ready Interrupt is disabled.

1 = The Receive Ready Interrupt is enabled.

- **OVRUN: Receive Overrun Interrupt Mask**

0 = The Receive Overrun Interrupt is disabled.

1 = The Receive Overrun Interrupt is enabled.

- **ENDRX: End of Reception Interrupt Mask**

0 = The End of Reception Interrupt is disabled.

1 = The End of Reception Interrupt is enabled.

- **RXBUFF: Receive Buffer Full Interrupt Mask**

0 = The Receive Buffer Full Interrupt is disabled.

1 = The Receive Buffer Full Interrupt is enabled.

- **CP0: Compare 0 Interrupt Mask**

0 = The Compare 0 Interrupt is disabled.

1 = The Compare 0 Interrupt is enabled.

- **CP1: Compare 1 Interrupt Mask**

0 = The Compare 1 Interrupt is disabled.

1 = The Compare 1 Interrupt is enabled.

- **TXSYN: Tx Sync Interrupt Mask**

0 = The Tx Sync Interrupt is disabled.

1 = The Tx Sync Interrupt is enabled.

- **RXSYN: Rx Sync Interrupt Mask**

0 = The Rx Sync Interrupt is disabled.

1 = The Rx Sync Interrupt is enabled.



## 33. Timer Counter (TC)

### 33.1 Overview

The Timer Counter (TC) includes three identical 16-bit Timer Counter channels.

Each channel can be independently programmed to perform a wide range of functions including frequency measurement, event counting, interval measurement, pulse generation, delay timing and pulse width modulation.

Each channel has three external clock inputs, five internal clock inputs and two multi-purpose input/output signals which can be configured by the user. Each channel drives an internal interrupt signal which can be programmed to generate processor interrupts.

The Timer Counter block has two global registers which act upon all three TC channels.

The Block Control Register allows the three channels to be started simultaneously with the same instruction.

The Block Mode Register defines the external clock inputs for each channel, allowing them to be chained.

[Table 33-1](#) gives the assignment of the device Timer Counter clock inputs common to Timer Counter 0 to 2

**Table 33-1.** Timer Counter Clock Assignment

| Name         | Definition |
|--------------|------------|
| TIMER_CLOCK1 | MCK/2      |
| TIMER_CLOCK2 | MCK/8      |
| TIMER_CLOCK3 | MCK/32     |
| TIMER_CLOCK4 | MCK/128    |
| TIMER_CLOCK5 | MCK/1024   |

### 33.2 Block Diagram

Figure 33-1. Timer Counter Block Diagram

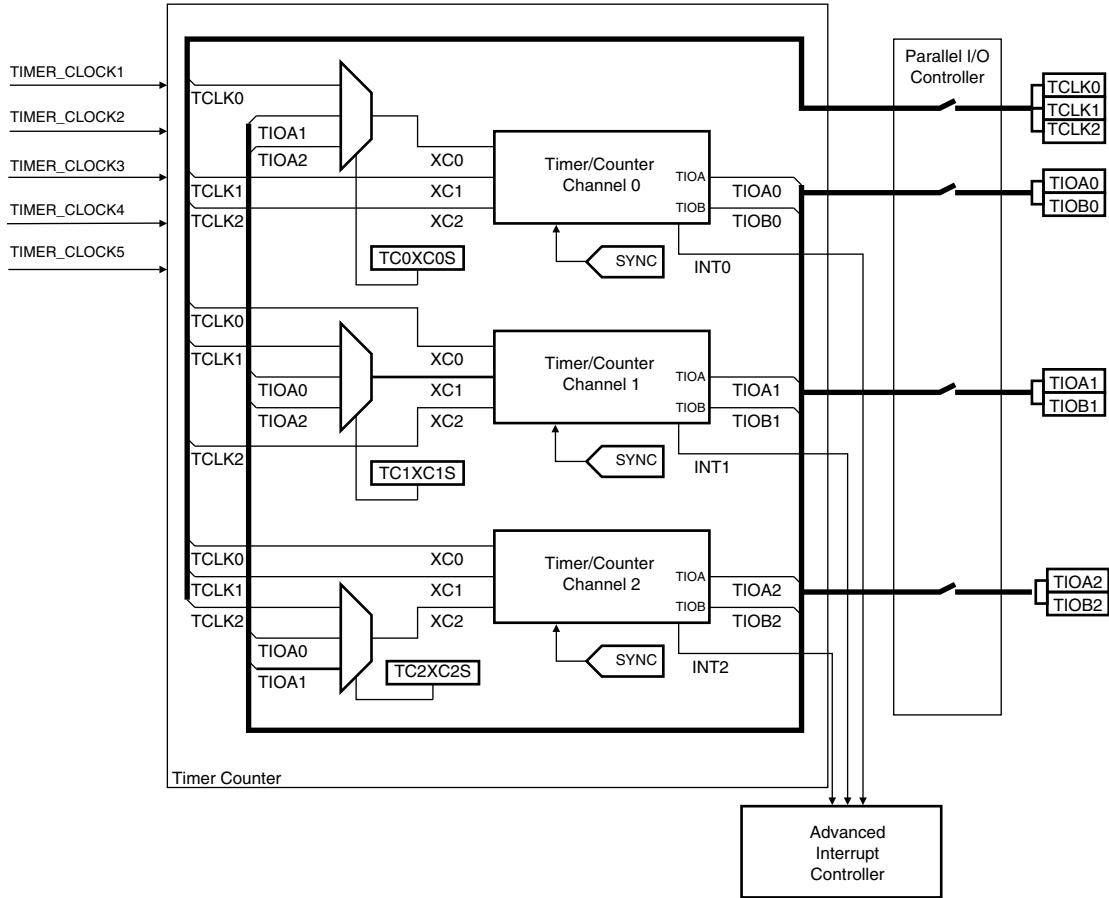


Table 33-2. Signal Name Description

| Block/Channel  | Signal Name   | Description  |
|----------------|---------------|--|
| Channel Signal | XC0, XC1, XC2 | External Clock Inputs  |
|                | TIOA          | Capture Mode: Timer Counter Input<br>Waveform Mode: Timer Counter Output       |
|                | TIOB          | Capture Mode: Timer Counter Input<br>Waveform Mode: Timer Counter Input/Output |
|                | INT           | Interrupt Signal Output  |
|                | SYNC          | Synchronization Input Signal   |

### 33.3 Pin Name List

**Table 33-3.** TC pin list

| Pin Name    | Description          | Type  |
|-------------|----------------------|-------|
| TCLK0-TCLK2 | External Clock Input | Input |
| TIOA0-TIOA2 | I/O Line A           | I/O   |
| TIOB0-TIOB2 | I/O Line B           | I/O   |

### 33.4 Product Dependencies

#### 33.4.1 I/O Lines

The pins used for interfacing the compliant external devices may be multiplexed with PIO lines. The programmer must first program the PIO controllers to assign the TC pins to their peripheral functions.

#### 33.4.2 Power Management

The TC is clocked through the Power Management Controller (PMC), thus the programmer must first configure the PMC to enable the Timer Counter clock.

#### 33.4.3 Interrupt

The TC has an interrupt line connected to the Advanced Interrupt Controller (AIC). Handling the TC interrupt requires programming the AIC before configuring the TC.

## 33.5 Functional Description

### 33.5.1 TC Description

The three channels of the Timer Counter are independent and identical in operation. The registers for channel programming are listed in [Table 33-4 on page 457](#).

### 33.5.2 16-bit Counter

Each channel is organized around a 16-bit counter. The value of the counter is incremented at each positive edge of the selected clock. When the counter has reached the value 0xFFFF and passes to 0x0000, an overflow occurs and the COVFS bit in TC\_SR (Status Register) is set.

The current value of the counter is accessible in real time by reading the Counter Value Register, TC\_CV. The counter can be reset by a trigger. In this case, the counter value passes to 0x0000 on the next valid edge of the selected clock.

### 33.5.3 Clock Selection

At block level, input clock signals of each channel can either be connected to the external inputs TCLK0, TCLK1 or TCLK2, or be connected to the internal I/O signals TIOA0, TIOA1 or TIOA2 for chaining by programming the TC\_BMR (Block Mode). See [Figure 33-2 on page 445](#).

Each channel can independently select an internal or external clock source for its counter:

- Internal clock signals: TIMER\_CLOCK1, TIMER\_CLOCK2, TIMER\_CLOCK3, TIMER\_CLOCK4, TIMER\_CLOCK5
- External clock signals: XC0, XC1 or XC2

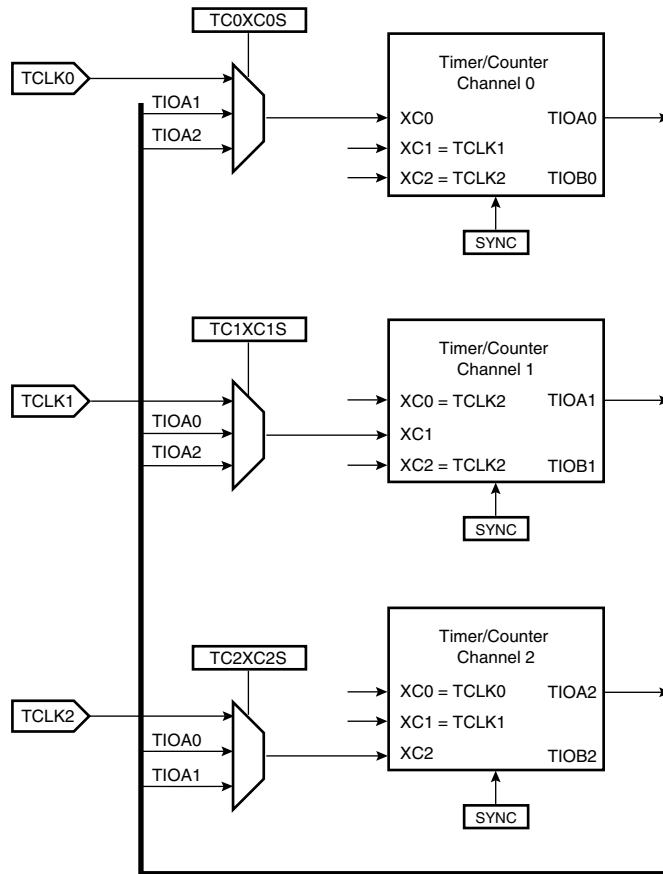
This selection is made by the TCCLKS bits in the TC Channel Mode Register.

The selected clock can be inverted with the CLKI bit in TC\_CMR. This allows counting on the opposite edges of the clock.

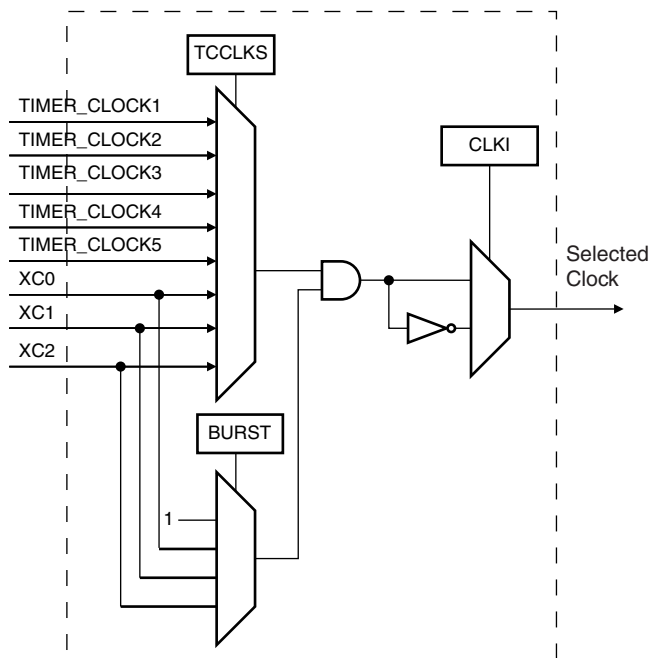
The burst function allows the clock to be validated when an external signal is high. The BURST parameter in the Mode Register defines this signal (none, XC0, XC1, XC2). See [Figure 33-3 on page 445](#)

**Note:** In all cases, if an external clock is used, the duration of each of its levels must be longer than the master clock period. The external clock frequency must be at least 2.5 times lower than the master clock

**Figure 33-2. Clock Chaining Selection**



**Figure 33-3. Clock Selection**

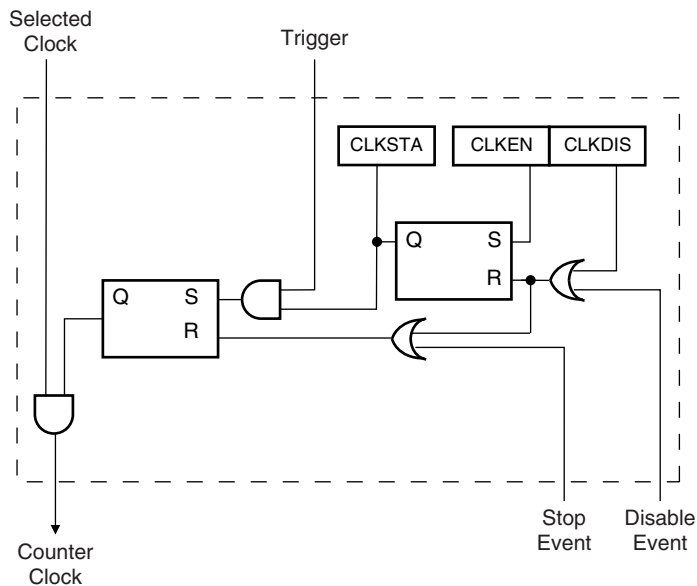


### 33.5.4 Clock Control

The clock of each counter can be controlled in two different ways: it can be enabled/disabled and started/stopped. See [Figure 33-4](#).

- The clock can be enabled or disabled by the user with the CLKEN and the CLKDIS commands in the Control Register. In Capture Mode it can be disabled by an RB load event if LDBDIS is set to 1 in TC\_CMR. In Waveform Mode, it can be disabled by an RC Compare event if CPCDIS is set to 1 in TC\_CMR. When disabled, the start or the stop actions have no effect: only a CLKEN command in the Control Register can re-enable the clock. When the clock is enabled, the CLKSTA bit is set in the Status Register.
- The clock can also be started or stopped: a trigger (software, synchro, external or compare) always starts the clock. The clock can be stopped by an RB load event in Capture Mode (LDBSTOP = 1 in TC\_CMR) or a RC compare event in Waveform Mode (CPCSTOP = 1 in TC\_CMR). The start and the stop commands have effect only if the clock is enabled.

**Figure 33-4.** Clock Control



### 33.5.5 TC Operating Modes

Each channel can independently operate in two different modes:

- Capture Mode provides measurement on signals.
- Waveform Mode provides wave generation.

The TC Operating Mode is programmed with the WAVE bit in the TC Channel Mode Register.

In Capture Mode, TIOA and TIOB are configured as inputs.

In Waveform Mode, TIOA is always configured to be an output and TIOB is an output if it is not selected to be the external trigger.

### 33.5.6 Trigger

A trigger resets the counter and starts the counter clock. Three types of triggers are common to both modes, and a fourth external trigger is available to each mode.

The following triggers are common to both modes:

- Software Trigger: Each channel has a software trigger, available by setting SWTRG in TC\_CCR.
- SYNC: Each channel has a synchronization signal SYNC. When asserted, this signal has the same effect as a software trigger. The SYNC signals of all channels are asserted simultaneously by writing TC\_BCR (Block Control) with SYNC set.
- Compare RC Trigger: RC is implemented in each channel and can provide a trigger when the counter value matches the RC value if CPCTRG is set in TC\_CMR.

The channel can also be configured to have an external trigger. In Capture Mode, the external trigger signal can be selected between TIOA and TIOB. In Waveform Mode, an external event can be programmed on one of the following signals: TIOB, XC0, XC1 or XC2. This external event can then be programmed to perform a trigger by setting ENETRГ in TC\_CMR.

If an external trigger is used, the duration of the pulses must be longer than the master clock period in order to be detected.

Regardless of the trigger used, it will be taken into account at the following active edge of the selected clock. This means that the counter value can be read differently from zero just after a trigger, especially when a low frequency signal is selected as the clock.

### 33.5.7 Capture Operating Mode

This mode is entered by clearing the WAVE parameter in TC\_CMR (Channel Mode Register).

Capture Mode allows the TC channel to perform measurements such as pulse timing, frequency, period, duty cycle and phase on TIOA and TIOB signals which are considered as inputs.

Figure 33-5 shows the configuration of the TC channel when programmed in Capture Mode.

### 33.5.8 Capture Registers A and B

Registers A and B (RA and RB) are used as capture registers. This means that they can be loaded with the counter value when a programmable event occurs on the signal TIOA.

The LDRA parameter in TC\_CMR defines the TIOA edge for the loading of register A, and the LDRB parameter defines the TIOA edge for the loading of Register B.

RA is loaded only if it has not been loaded since the last trigger or if RB has been loaded since the last loading of RA.

RB is loaded only if RA has been loaded since the last trigger or the last loading of RB.

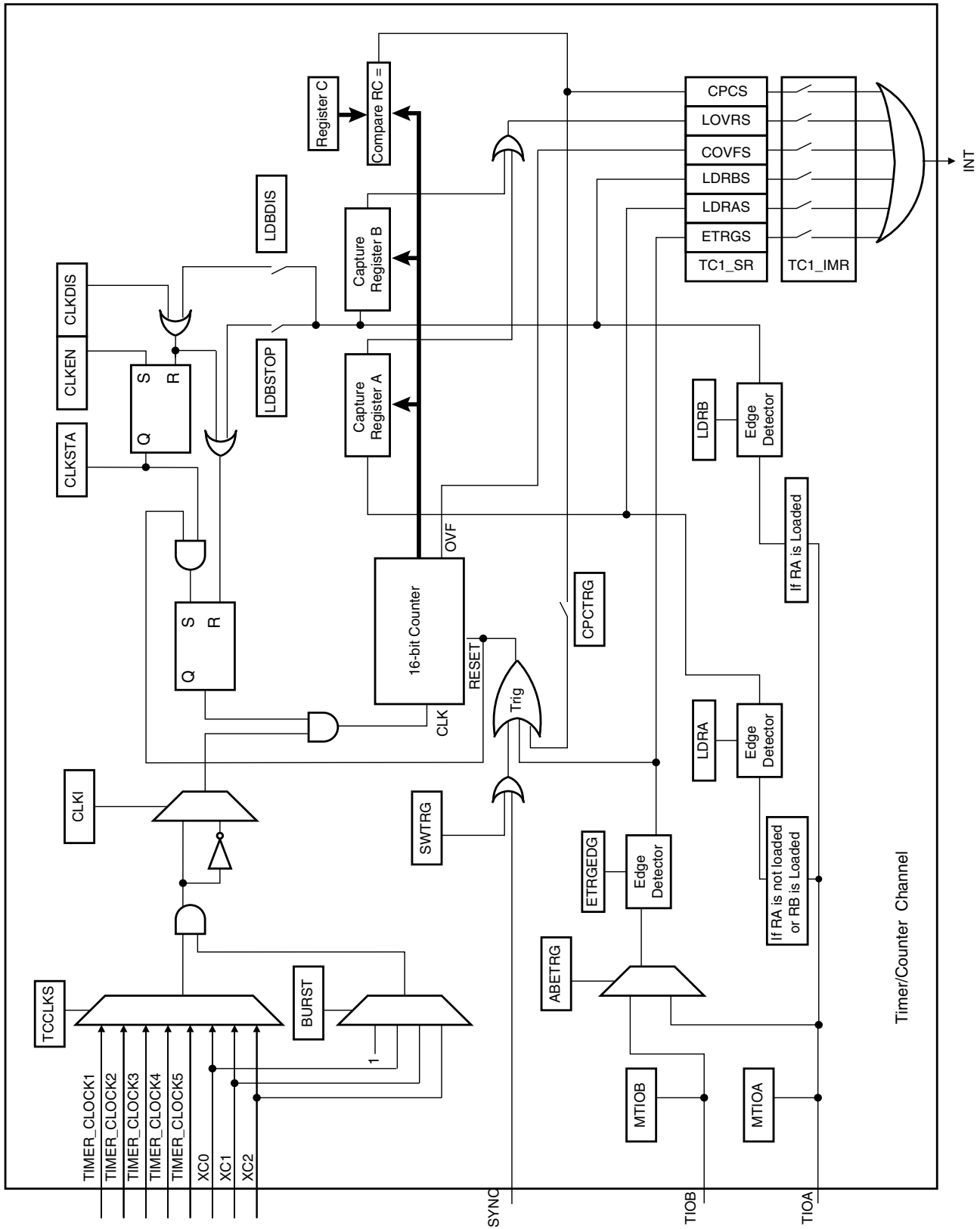
Loading RA or RB before the read of the last value loaded sets the Overrun Error Flag (LOVRS) in TC\_SR (Status Register). In this case, the old value is overwritten.

### 33.5.9 Trigger Conditions

In addition to the SYNC signal, the software trigger and the RC compare trigger, an external trigger can be defined.

The ABETRГ bit in TC\_CMR selects TIOA or TIOB input signal as an external trigger. The ETRGEDG parameter defines the edge (rising, falling or both) detected to generate an external trigger. If ETRGEDG = 0 (none), the external trigger is disabled.

Figure 33-5. Capture Mode





### 33.5.10 Waveform Operating Mode

Waveform operating mode is entered by setting the WAVE parameter in TC\_CMR (Channel Mode Register).

In Waveform Operating Mode the TC channel generates 1 or 2 PWM signals with the same frequency and independently programmable duty cycles, or generates different types of one-shot or repetitive pulses.

In this mode, TIOA is configured as an output and TIOB is defined as an output if it is not used as an external event (EEVT parameter in TC\_CMR).

Figure 33-6 shows the configuration of the TC channel when programmed in Waveform Operating Mode.

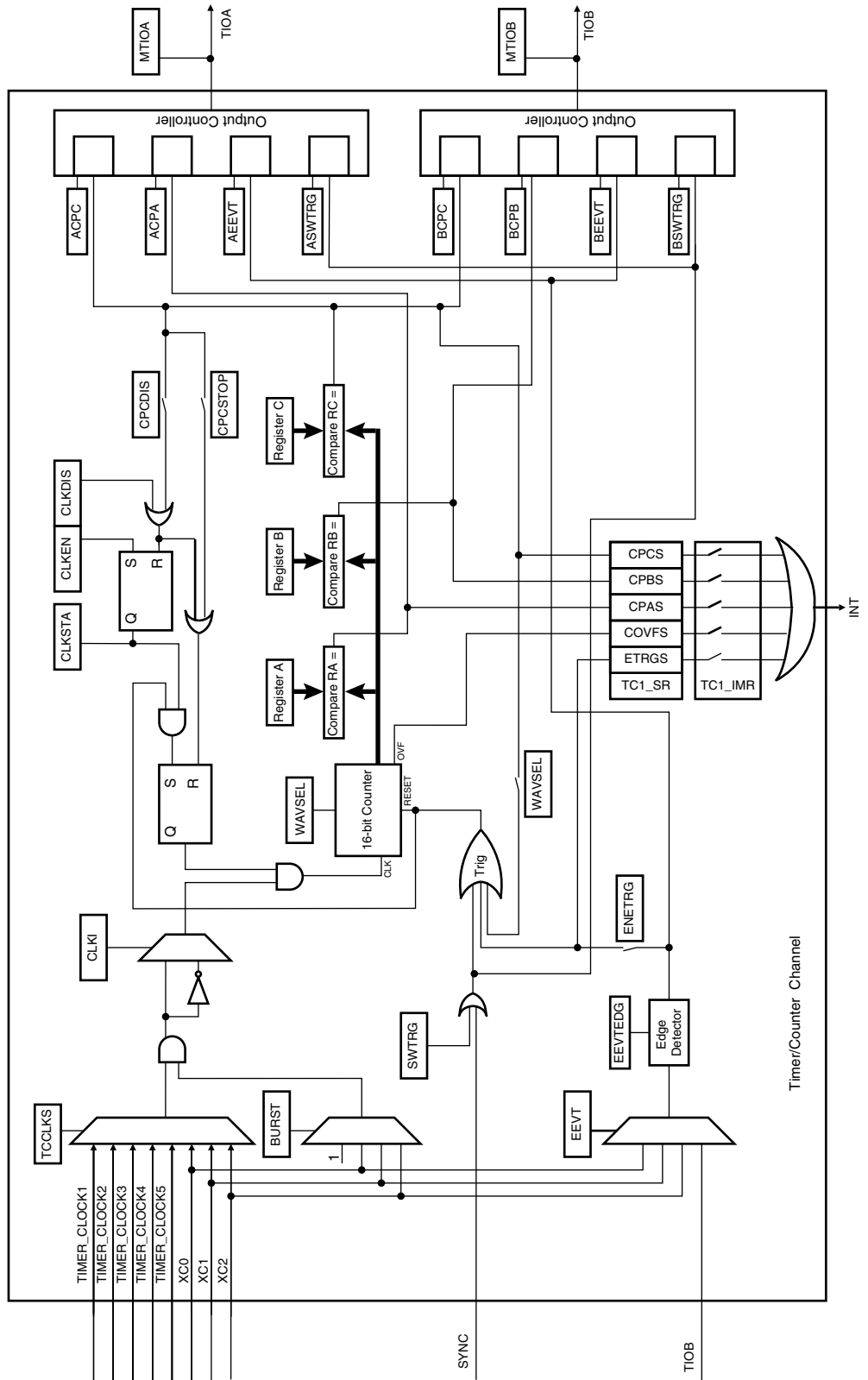
### 33.5.11 Waveform Selection

Depending on the WAVSEL parameter in TC\_CMR (Channel Mode Register), the behavior of TC\_CV varies.

With any selection, RA, RB and RC can all be used as compare registers.

RA Compare is used to control the TIOA output, RB Compare is used to control the TIOB output (if correctly configured) and RC Compare is used to control TIOA and/or TIOB outputs.

Figure 33-6. Waveform Mode



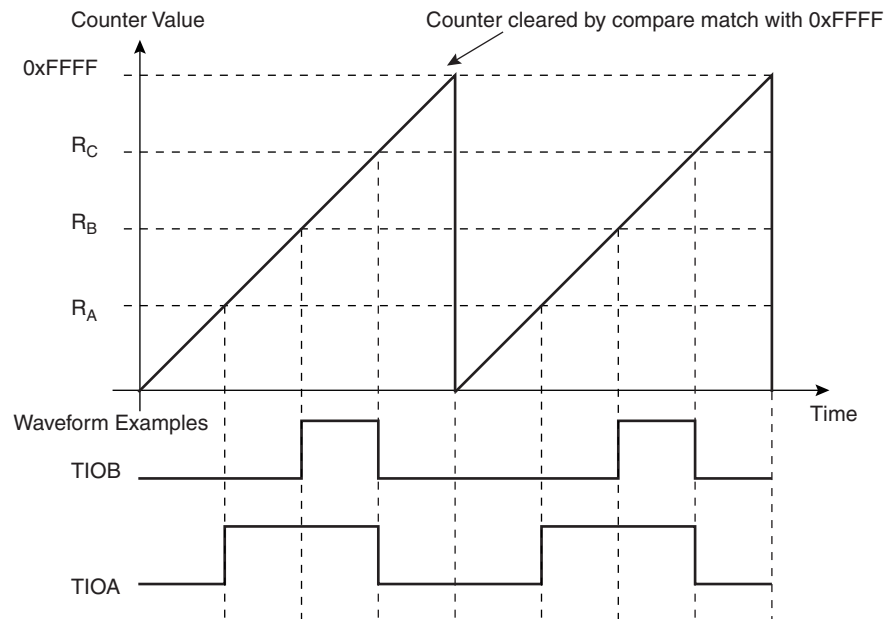
### 33.5.11.1 WAVSEL = 00

When WAVSEL = 00, the value of TC\_CV is incremented from 0 to 0xFFFF. Once 0xFFFF has been reached, the value of TC\_CV is reset. Incrementation of TC\_CV starts again and the cycle continues. See [Figure 33-7](#).

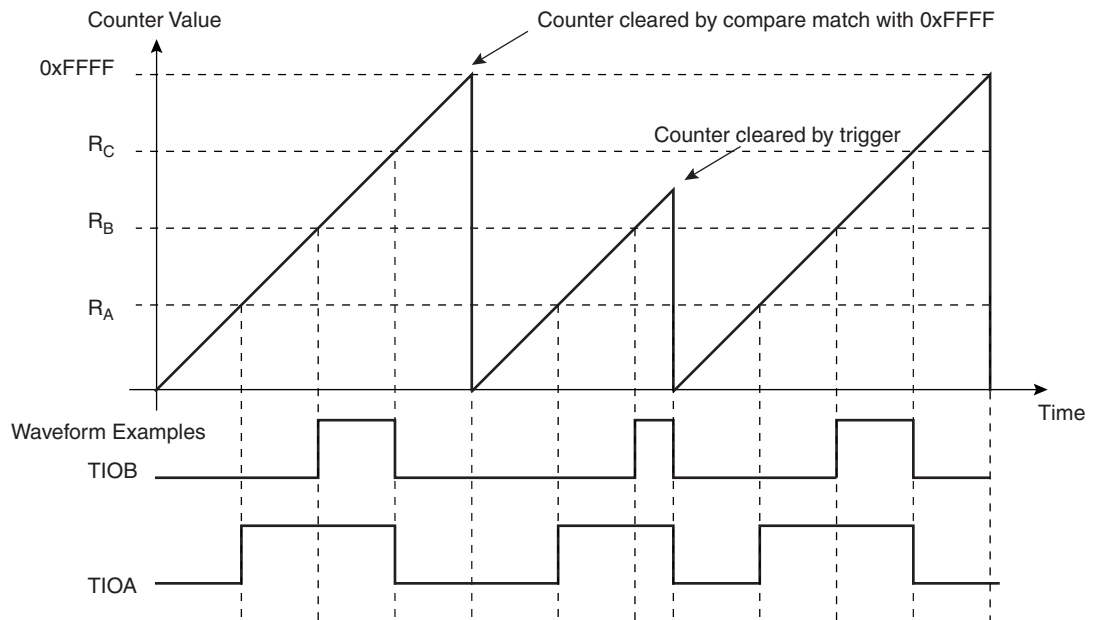
An external event trigger or a software trigger can reset the value of TC\_CV. It is important to note that the trigger may occur at any time. See [Figure 33-8](#).

RC Compare cannot be programmed to generate a trigger in this configuration. At the same time, RC Compare can stop the counter clock (CPCSTOP = 1 in TC\_CMR) and/or disable the counter clock (CPCDIS = 1 in TC\_CMR).

**Figure 33-7.** WAVSEL= 00 without trigger



**Figure 33-8.** WAVSEL= 00 with trigger



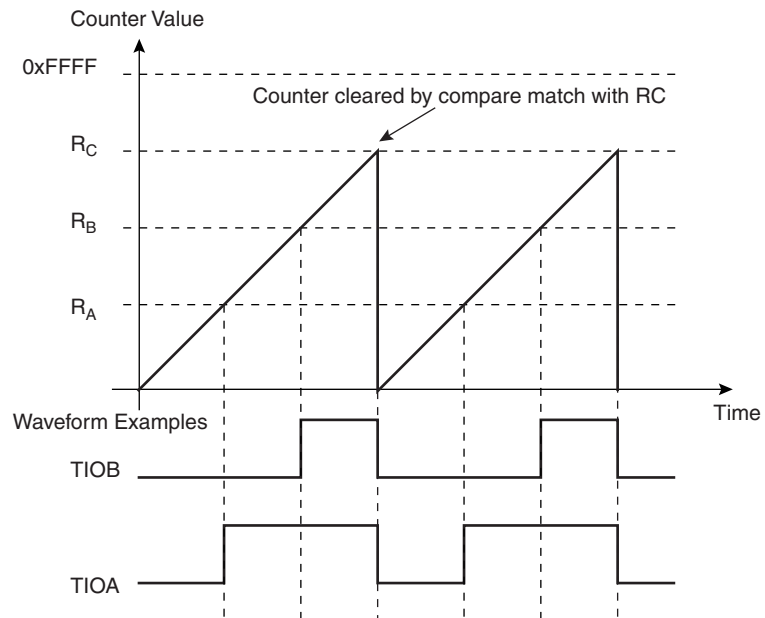
33.5.11.2 WAVSEL = 10

When WAVSEL = 10, the value of TC\_CV is incremented from 0 to the value of RC, then automatically reset on a RC Compare. Once the value of TC\_CV has been reset, it is then incremented and so on. See [Figure 33-9](#).

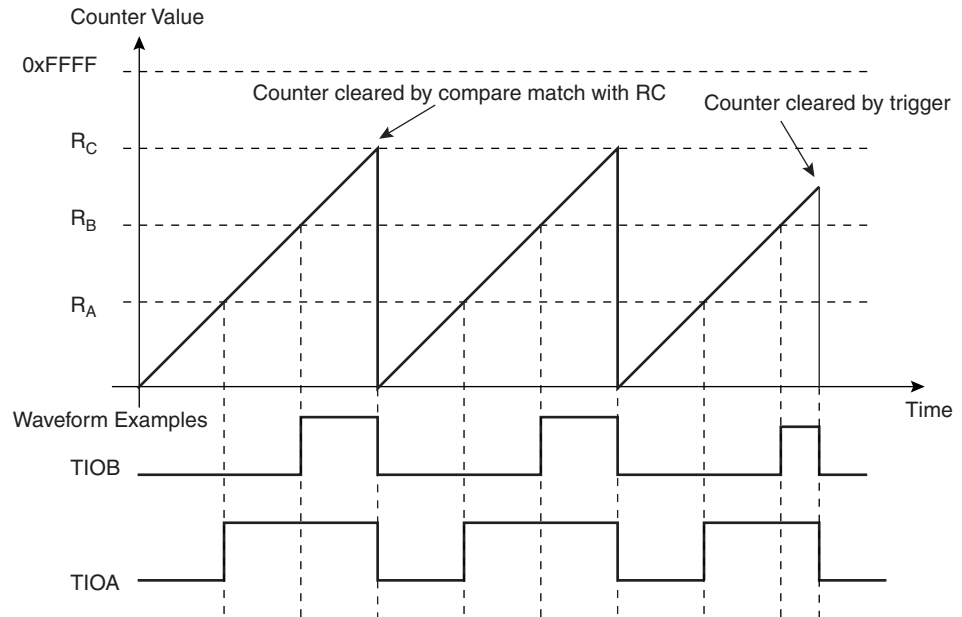
It is important to note that TC\_CV can be reset at any time by an external event or a software trigger if both are programmed correctly. See [Figure 33-10](#).

In addition, RC Compare can stop the counter clock (CPCSTOP = 1 in TC\_CMR) and/or disable the counter clock (CPCDIS = 1 in TC\_CMR).

**Figure 33-9.** WAVSEL = 10 Without Trigger



**Figure 33-10. WAVSEL = 10 With Trigger**



### 33.5.11.3 WAVSEL = 01

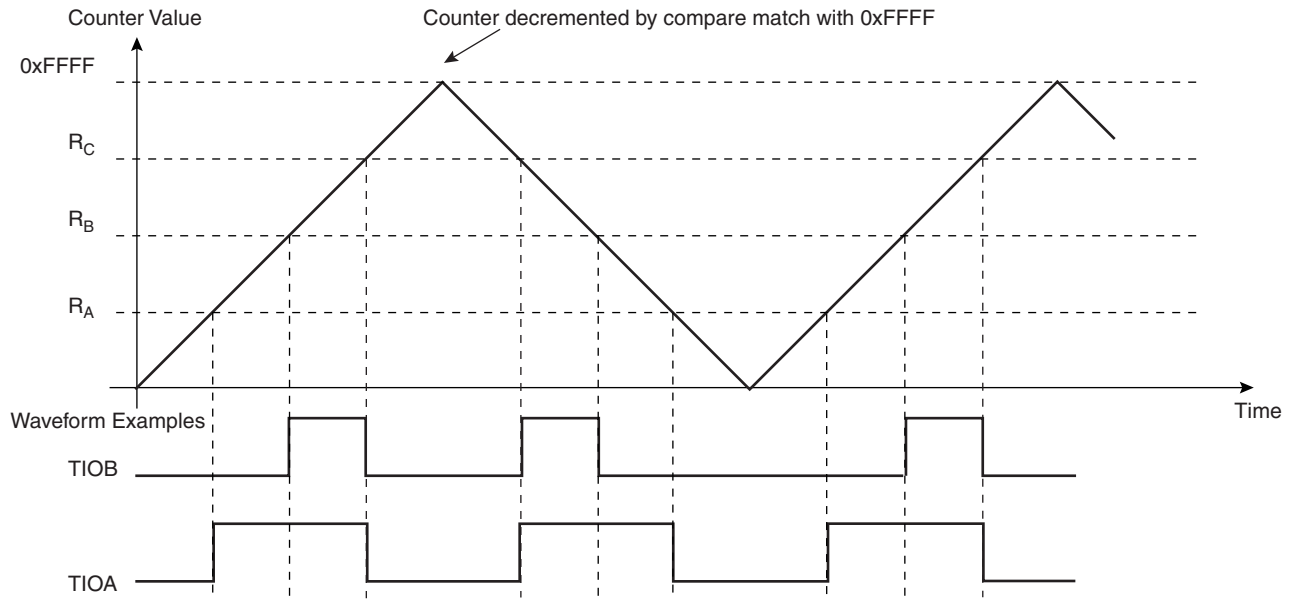
When WAVSEL = 01, the value of TC\_CV is incremented from 0 to 0xFFFF. Once 0xFFFF is reached, the value of TC\_CV is decremented to 0, then re-incremented to 0xFFFF and so on. See [Figure 33-11](#).

A trigger such as an external event or a software trigger can modify TC\_CV at any time. If a trigger occurs while TC\_CV is incrementing, TC\_CV then decrements. If a trigger is received while TC\_CV is decrementing, TC\_CV then increments. See [Figure 33-12](#).

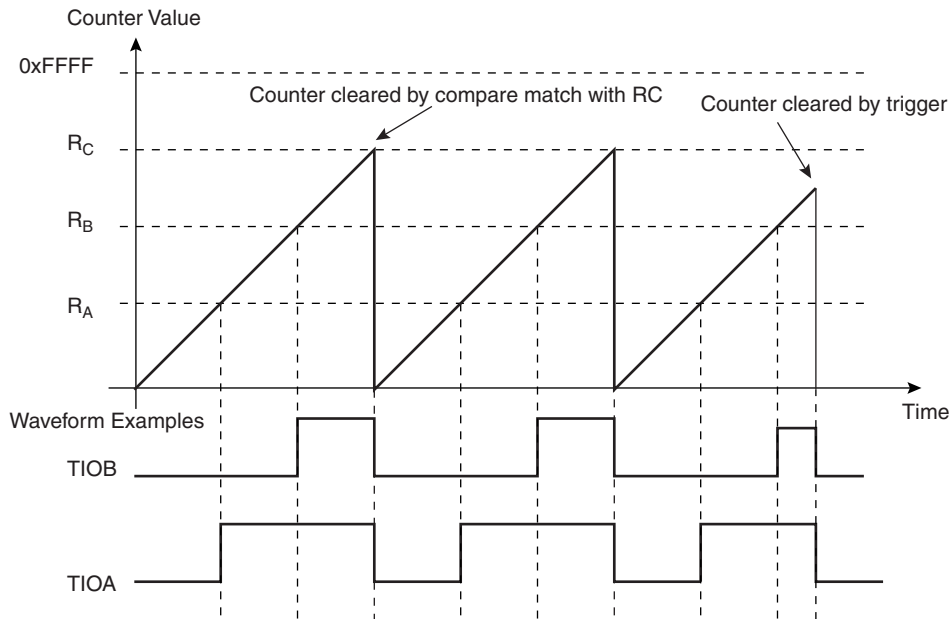
RC Compare cannot be programmed to generate a trigger in this configuration.

At the same time, RC Compare can stop the counter clock (CPCSTOP = 1) and/or disable the counter clock (CPCDIS = 1).

**Figure 33-11. WAVSEL = 01 Without Trigger**



**Figure 33-12. WAVSEL = 01 With Trigger**



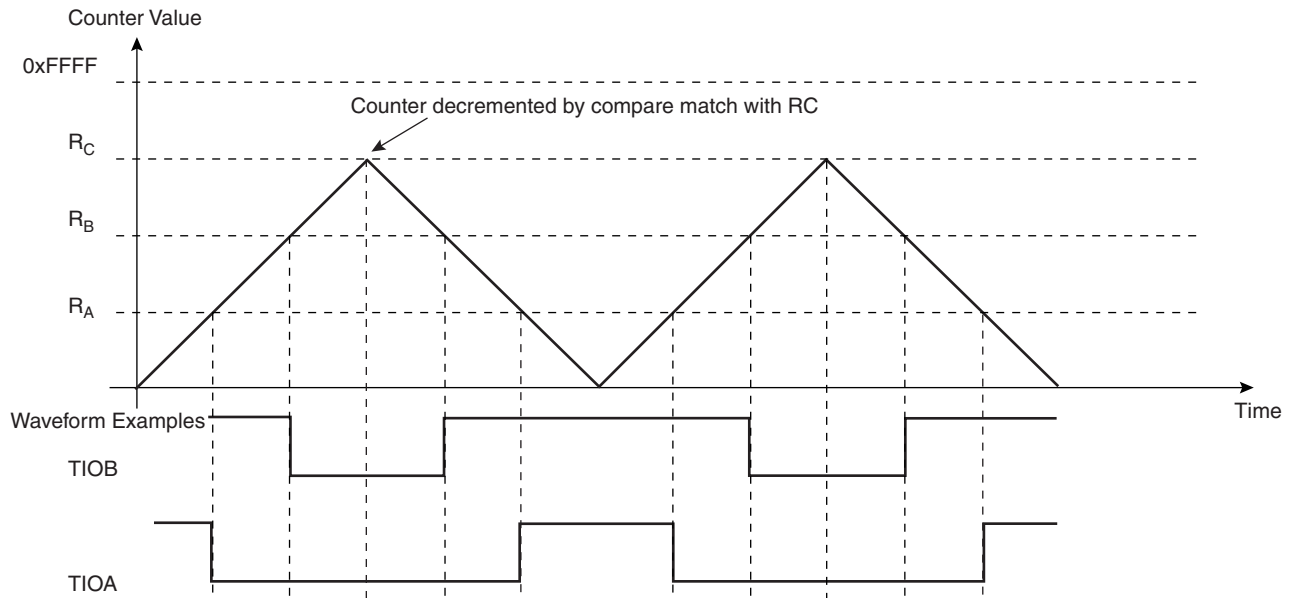
**33.5.11.4 WAVSEL = 11**

When WAVSEL = 11, the value of TC\_CV is incremented from 0 to RC. Once RC is reached, the value of TC\_CV is decremented to 0, then re-incremented to RC and so on. See [Figure 33-13](#).

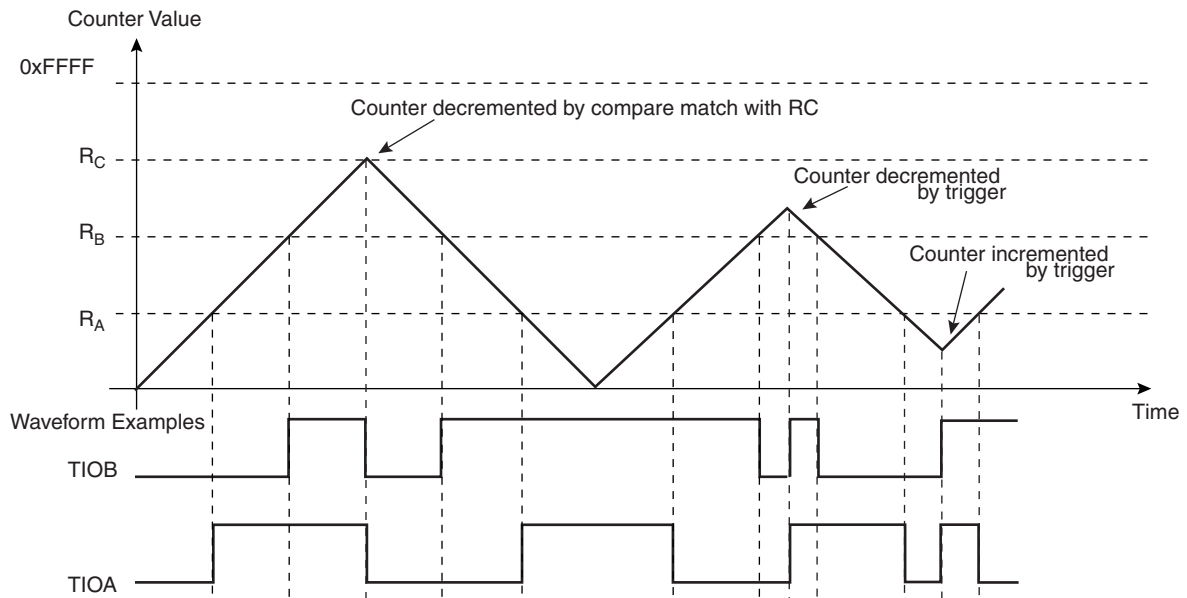
A trigger such as an external event or a software trigger can modify TC\_CV at any time. If a trigger occurs while TC\_CV is incrementing, TC\_CV then decrements. If a trigger is received while TC\_CV is decrementing, TC\_CV then increments. See [Figure 33-14](#).

RC Compare can stop the counter clock (CPCSTOP = 1) and/or disable the counter clock (CPCDIS = 1).

**Figure 33-13. WAVSEL = 11 Without Trigger**



**Figure 33-14. WAVSEL = 11 With Trigger**



### 33.5.12 External Event/Trigger Conditions

An external event can be programmed to be detected on one of the clock sources (XC0, XC1, XC2) or TIOB. The external event selected can then be used as a trigger.

The EEVT parameter in TC\_CMR selects the external trigger. The EEVTEDG parameter defines the trigger edge for each of the possible external triggers (rising, falling or both). If EEVTEDG is cleared (none), no external event is defined.

If TIOB is defined as an external event signal (EEVT = 0), TIOB is no longer used as an output and the compare register B is not used to generate waveforms and subsequently no IRQs. In this case the TC channel can only generate a waveform on TIOA.

When an external event is defined, it can be used as a trigger by setting bit ENETR in TC\_CMR.

As in Capture Mode, the SYNC signal and the software trigger are also available as triggers. RC Compare can also be used as a trigger depending on the parameter WAVSEL.

### 33.5.13 Output Controller

The output controller defines the output level changes on TIOA and TIOB following an event. TIOB control is used only if TIOB is defined as output (not as an external event).

The following events control TIOA and TIOB: software trigger, external event and RC compare. RA compare controls TIOA and RB compare controls TIOB. Each of these events can be programmed to set, clear or toggle the output as defined in the corresponding parameter in TC\_CMR.



## 33.6 Timer Counter (TC) User Interface

**Table 33-4.** Register Mapping

| Offset <sup>(1)</sup>        | Register                   | Name   | Access                    | Reset |
|------------------------------|----------------------------|--------|---------------------------|-------|
| 0x00 + channel * 0x40 + 0x00 | Channel Control Register   | TC_CCR | Write-only                | –     |
| 0x00 + channel * 0x40 + 0x04 | Channel Mode Register      | TC_CMR | Read-write                | 0     |
| 0x00 + channel * 0x40 + 0x08 | Reserved                   |        |                           |       |
| 0x00 + channel * 0x40 + 0x0C | Reserved                   |        |                           |       |
| 0x00 + channel * 0x40 + 0x10 | Counter Value              | TC_CV  | Read-only                 | 0     |
| 0x00 + channel * 0x40 + 0x14 | Register A                 | TC_RA  | Read-write <sup>(2)</sup> | 0     |
| 0x00 + channel * 0x40 + 0x18 | Register B                 | TC_RB  | Read-write <sup>(2)</sup> | 0     |
| 0x00 + channel * 0x40 + 0x1C | Register C                 | TC_RC  | Read-write                | 0     |
| 0x00 + channel * 0x40 + 0x20 | Status Register            | TC_SR  | Read-only                 | 0     |
| 0x00 + channel * 0x40 + 0x24 | Interrupt Enable Register  | TC_IER | Write-only                | –     |
| 0x00 + channel * 0x40 + 0x28 | Interrupt Disable Register | TC_IDR | Write-only                | –     |
| 0x00 + channel * 0x40 + 0x2C | Interrupt Mask Register    | TC_IMR | Read-only                 | 0     |
| 0xC0                         | Block Control Register     | TC_BCR | Write-only                | –     |
| 0xC4                         | Block Mode Register        | TC_BMR | Read-write                | 0     |
| 0xFC                         | Reserved                   | –      | –                         | –     |

- Notes: 1. Channel index ranges from 0 to 2.  
 2. Read-only if WAVE = 0

### 33.6.1 TC Block Control Register

**Register Name:** TC\_BCR

**Access Type:** Write-only

|    |    |    |    |    |    |    |      |
|----|----|----|----|----|----|----|------|
| 31 | 30 | 29 | 28 | 27 | 26 | 25 | 24   |
| -  | -  | -  | -  | -  | -  | -  | -    |
| 23 | 22 | 21 | 20 | 19 | 18 | 17 | 16   |
| -  | -  | -  | -  | -  | -  | -  | -    |
| 15 | 14 | 13 | 12 | 11 | 10 | 9  | 8    |
| -  | -  | -  | -  | -  | -  | -  | -    |
| 7  | 6  | 5  | 4  | 3  | 2  | 1  | 0    |
| -  | -  | -  | -  | -  | -  | -  | SYNC |

- **SYNC: Synchro Command**

0 = No effect.

1 = Asserts the SYNC signal which generates a software trigger simultaneously for each of the channels.

### 33.6.2 TC Block Mode Register

Register Name: TC\_BMR

Access Type: Read-write

|    |    |         |    |         |    |         |    |
|----|----|---------|----|---------|----|---------|----|
| 31 | 30 | 29      | 28 | 27      | 26 | 25      | 24 |
| –  | –  | –       | –  | –       | –  | –       | –  |
| 23 | 22 | 21      | 20 | 19      | 18 | 17      | 16 |
| –  | –  | –       | –  | –       | –  | –       | –  |
| 15 | 14 | 13      | 12 | 11      | 10 | 9       | 8  |
| –  | –  | –       | –  | –       | –  | –       | –  |
| 7  | 6  | 5       | 4  | 3       | 2  | 1       | 0  |
| –  | –  | TC2XC2S |    | TC1XC1S |    | TC0XC0S |    |

- **TC0XC0S: External Clock Signal 0 Selection**

| TC0XC0S |   | Signal Connected to XC0 |
|---------|---|-------------------------|
| 0       | 0 | TCLK0                   |
| 0       | 1 | none                    |
| 1       | 0 | TIOA1                   |
| 1       | 1 | TIOA2                   |

- **TC1XC1S: External Clock Signal 1 Selection**

| TC1XC1S |   | Signal Connected to XC1 |
|---------|---|-------------------------|
| 0       | 0 | TCLK1                   |
| 0       | 1 | none                    |
| 1       | 0 | TIOA0                   |
| 1       | 1 | TIOA2                   |

- **TC2XC2S: External Clock Signal 2 Selection**

| TC2XC2S |   | Signal Connected to XC2 |
|---------|---|-------------------------|
| 0       | 0 | TCLK2                   |
| 0       | 1 | none                    |
| 1       | 0 | TIOA0                   |
| 1       | 1 | TIOA1                   |

### 33.6.3 TC Channel Control Register

**Register Name:** TC\_CCRx [x=0..2]

**Access Type:** Write-only

|    |    |    |    |    |       |        |       |
|----|----|----|----|----|-------|--------|-------|
| 31 | 30 | 29 | 28 | 27 | 26    | 25     | 24    |
| –  | –  | –  | –  | –  | –     | –      | –     |
| 23 | 22 | 21 | 20 | 19 | 18    | 17     | 16    |
| –  | –  | –  | –  | –  | –     | –      | –     |
| 15 | 14 | 13 | 12 | 11 | 10    | 9      | 8     |
| –  | –  | –  | –  | –  | –     | –      | –     |
| 7  | 6  | 5  | 4  | 3  | 2     | 1      | 0     |
| –  | –  | –  | –  | –  | SWTRG | CLKDIS | CLKEN |

- **CLKEN: Counter Clock Enable Command**

0 = No effect.

1 = Enables the clock if CLKDIS is not 1.

- **CLKDIS: Counter Clock Disable Command**

0 = No effect.

1 = Disables the clock.

- **SWTRG: Software Trigger Command**

0 = No effect.

1 = A software trigger is performed: the counter is reset and the clock is started.

### 33.6.4 TC Channel Mode Register: Capture Mode

**Register Name:** TC\_CM Rx [x=0..2] (WAVE = 0)

**Access Type:** Read-write

|        |         |       |    |      |        |         |    |
|--------|---------|-------|----|------|--------|---------|----|
| 31     | 30      | 29    | 28 | 27   | 26     | 25      | 24 |
| –      | –       | –     | –  | –    | –      | –       | –  |
| 23     | 22      | 21    | 20 | 19   | 18     | 17      | 16 |
| –      | –       | –     | –  | LDRB |        | LDRA    |    |
| 15     | 14      | 13    | 12 | 11   | 10     | 9       | 8  |
| WAVE   | CPCTRG  | –     | –  | –    | ABETRG | ETRGEDG |    |
| 7      | 6       | 5     | 4  | 3    | 2      | 1       | 0  |
| LDBDIS | LDBSTOP | BURST |    | CLKI | TCCLKS |         |    |

- **TCCLKS: Clock Selection**

| TCCLKS |   |   | Clock Selected |
|--------|---|---|----------------|
| 0      | 0 | 0 | TIMER_CLOCK1   |
| 0      | 0 | 1 | TIMER_CLOCK2   |
| 0      | 1 | 0 | TIMER_CLOCK3   |
| 0      | 1 | 1 | TIMER_CLOCK4   |
| 1      | 0 | 0 | TIMER_CLOCK5   |
| 1      | 0 | 1 | XC0            |
| 1      | 1 | 0 | XC1            |
| 1      | 1 | 1 | XC2            |

- **CLKI: Clock Invert**

0 = Counter is incremented on rising edge of the clock.

1 = Counter is incremented on falling edge of the clock.

- **BURST: Burst Signal Selection**

| BURST |   |   |
|-------|---|---|
| 0     | 0 | The clock is not gated by an external signal. |
| 0     | 1 | XC0 is ANDed with the selected clock.         |
| 1     | 0 | XC1 is ANDed with the selected clock.         |
| 1     | 1 | XC2 is ANDed with the selected clock.         |

- **LDBSTOP: Counter Clock Stopped with RB Loading**

0 = Counter clock is not stopped when RB loading occurs.

1 = Counter clock is stopped when RB loading occurs.

- **LBDIS: Counter Clock Disable with RB Loading**

0 = Counter clock is not disabled when RB loading occurs.

1 = Counter clock is disabled when RB loading occurs.

- **ETRGEDG: External Trigger Edge Selection**

| ETRGEDG |   | Edge         |
|---------|---|--------------|
| 0       | 0 | none         |
| 0       | 1 | rising edge  |
| 1       | 0 | falling edge |
| 1       | 1 | each edge    |

- **ABETRG: TIOA or TIOB External Trigger Selection**

0 = TIOB is used as an external trigger.

1 = TIOA is used as an external trigger.

- **CPCTRG: RC Compare Trigger Enable**

0 = RC Compare has no effect on the counter and its clock.

1 = RC Compare resets the counter and starts the counter clock.

- **WAVE**

0 = Capture Mode is enabled.

1 = Capture Mode is disabled (Waveform Mode is enabled).

- **LDRA: RA Loading Selection**

| LDRA |   | Edge                 |
|------|---|----------------------|
| 0    | 0 | none                 |
| 0    | 1 | rising edge of TIOA  |
| 1    | 0 | falling edge of TIOA |
| 1    | 1 | each edge of TIOA    |

- **LDRB: RB Loading Selection**

| LDRB |   | Edge                 |
|------|---|----------------------|
| 0    | 0 | none                 |
| 0    | 1 | rising edge of TIOA  |
| 1    | 0 | falling edge of TIOA |
| 1    | 1 | each edge of TIOA    |



### 33.6.5 TC Channel Mode Register: Waveform Mode

**Register Name:** TC\_CMRx [x=0..2] (WAVE = 1)

**Access Type:** Read-write

|        |         |       |        |      |        |         |    |
|--------|---------|-------|--------|------|--------|---------|----|
| 31     | 30      | 29    | 28     | 27   | 26     | 25      | 24 |
| BSWTRG |         | BEEVT |        | BCPC |        | BCPB    |    |
| 23     | 22      | 21    | 20     | 19   | 18     | 17      | 16 |
| ASWTRG |         | AEEVT |        | ACPC |        | ACPA    |    |
| 15     | 14      | 13    | 12     | 11   | 10     | 9       | 8  |
| WAVE   | WAVSEL  |       | ENETRГ | EEVT |        | EEVTEDG |    |
| 7      | 6       | 5     | 4      | 3    | 2      | 1       | 0  |
| CPCDIS | CPCSTOP | BURST |        | CLKI | TCCLKS |         |    |

- **TCCLKS: Clock Selection**

| TCCLKS |   |   | Clock Selected |
|--------|---|---|----------------|
| 0      | 0 | 0 | TIMER_CLOCK1   |
| 0      | 0 | 1 | TIMER_CLOCK2   |
| 0      | 1 | 0 | TIMER_CLOCK3   |
| 0      | 1 | 1 | TIMER_CLOCK4   |
| 1      | 0 | 0 | TIMER_CLOCK5   |
| 1      | 0 | 1 | XC0            |
| 1      | 1 | 0 | XC1            |
| 1      | 1 | 1 | XC2            |

- **CLKI: Clock Invert**

0 = Counter is incremented on rising edge of the clock.

1 = Counter is incremented on falling edge of the clock.

- **BURST: Burst Signal Selection**

| BURST |   |   |
|-------|---|---|
| 0     | 0 | The clock is not gated by an external signal. |
| 0     | 1 | XC0 is ANDed with the selected clock.         |
| 1     | 0 | XC1 is ANDed with the selected clock.         |
| 1     | 1 | XC2 is ANDed with the selected clock.         |

- **CPCSTOP: Counter Clock Stopped with RC Compare**

0 = Counter clock is not stopped when counter reaches RC.

1 = Counter clock is stopped when counter reaches RC.

- **CPCDIS: Counter Clock Disable with RC Compare**

0 = Counter clock is not disabled when counter reaches RC.

1 = Counter clock is disabled when counter reaches RC.

- **EEVTEDG: External Event Edge Selection**

| EEVTEDG |   | Edge         |
|---------|---|--------------|
| 0       | 0 | none         |
| 0       | 1 | rising edge  |
| 1       | 0 | falling edge |
| 1       | 1 | each edge    |

- **EEVT: External Event Selection**

| EEVT |   | Signal selected as external event | TIOB Direction       |
|------|---|-----------------------------------|----------------------|
| 0    | 0 | TIOB                              | input <sup>(1)</sup> |
| 0    | 1 | XC0                               | output               |
| 1    | 0 | XC1                               | output               |
| 1    | 1 | XC2                               | output               |

Note: 1. If TIOB is chosen as the external event signal, it is configured as an input and no longer generates waveforms and subsequently no IRQs.

- **ENETRГ: External Event Trigger Enable**

0 = The external event has no effect on the counter and its clock. In this case, the selected external event only controls the TIOA output.

1 = The external event resets the counter and starts the counter clock.

- **WAVSEL: Waveform Selection**

| WAVSEL |   | Effect  |
|--------|---|---|
| 0      | 0 | UP mode without automatic trigger on RC Compare     |
| 1      | 0 | UP mode with automatic trigger on RC Compare        |
| 0      | 1 | UPDOWN mode without automatic trigger on RC Compare |
| 1      | 1 | UPDOWN mode with automatic trigger on RC Compare    |

- **WAVE**

0 = Waveform Mode is disabled (Capture Mode is enabled).

1 = Waveform Mode is enabled.



- **ACPA: RA Compare Effect on TIOA**

| ACPA |   | Effect |
|------|---|--------|
| 0    | 0 | none   |
| 0    | 1 | set    |
| 1    | 0 | clear  |
| 1    | 1 | toggle |

- **ACPC: RC Compare Effect on TIOA**

| ACPC |   | Effect |
|------|---|--------|
| 0    | 0 | none   |
| 0    | 1 | set    |
| 1    | 0 | clear  |
| 1    | 1 | toggle |

- **AEEVT: External Event Effect on TIOA**

| AEEVT |   | Effect |
|-------|---|--------|
| 0     | 0 | none   |
| 0     | 1 | set    |
| 1     | 0 | clear  |
| 1     | 1 | toggle |

- **ASWTRG: Software Trigger Effect on TIOA**

| ASWTRG |   | Effect |
|--------|---|--------|
| 0      | 0 | none   |
| 0      | 1 | set    |
| 1      | 0 | clear  |
| 1      | 1 | toggle |

- **BCPB: RB Compare Effect on TIOB**

| BCPB |   | Effect |
|------|---|--------|
| 0    | 0 | none   |
| 0    | 1 | set    |
| 1    | 0 | clear  |
| 1    | 1 | toggle |

- **BCPC: RC Compare Effect on TIOB**

| BCPC |   | Effect |
|------|---|--------|
| 0    | 0 | none   |
| 0    | 1 | set    |
| 1    | 0 | clear  |
| 1    | 1 | toggle |

- **BEEVT: External Event Effect on TIOB**

| BEEVT |   | Effect |
|-------|---|--------|
| 0     | 0 | none   |
| 0     | 1 | set    |
| 1     | 0 | clear  |
| 1     | 1 | toggle |

- **BSWTRG: Software Trigger Effect on TIOB**

| BSWTRG |   | Effect |
|--------|---|--------|
| 0      | 0 | none   |
| 0      | 1 | set    |
| 1      | 0 | clear  |
| 1      | 1 | toggle |

### 33.6.6 TC Counter Value Register

**Register Name:** TC\_CVx [x=0..2]

**Access Type:** Read-only

|    |    |    |    |    |    |    |    |
|----|----|----|----|----|----|----|----|
| 31 | 30 | 29 | 28 | 27 | 26 | 25 | 24 |
| –  | –  | –  | –  | –  | –  | –  | –  |
| 23 | 22 | 21 | 20 | 19 | 18 | 17 | 16 |
| –  | –  | –  | –  | –  | –  | –  | –  |
| 15 | 14 | 13 | 12 | 11 | 10 | 9  | 8  |
| CV |    |    |    |    |    |    |    |
| 7  | 6  | 5  | 4  | 3  | 2  | 1  | 0  |
| CV |    |    |    |    |    |    |    |

- **CV: Counter Value**

CV contains the counter value in real time.

### 33.6.7 TC Register A

**Register Name:** TC\_RAx [x=0..2]

**Access Type:** Read-only if WAVE = 0, Read-write if WAVE = 1

|    |    |    |    |    |    |    |    |
|----|----|----|----|----|----|----|----|
| 31 | 30 | 29 | 28 | 27 | 26 | 25 | 24 |
| –  | –  | –  | –  | –  | –  | –  | –  |
| 23 | 22 | 21 | 20 | 19 | 18 | 17 | 16 |
| –  | –  | –  | –  | –  | –  | –  | –  |
| 15 | 14 | 13 | 12 | 11 | 10 | 9  | 8  |
| RA |    |    |    |    |    |    |    |
| 7  | 6  | 5  | 4  | 3  | 2  | 1  | 0  |
| RA |    |    |    |    |    |    |    |

- **RA: Register A**

RA contains the Register A value in real time.



### 33.6.8 TC Register B

**Register Name:** TC\_RBx [x=0..2]

**Access Type:** Read-only if WAVE = 0, Read-write if WAVE = 1

|    |    |    |    |    |    |    |    |
|----|----|----|----|----|----|----|----|
| 31 | 30 | 29 | 28 | 27 | 26 | 25 | 24 |
| -  | -  | -  | -  | -  | -  | -  | -  |
| 23 | 22 | 21 | 20 | 19 | 18 | 17 | 16 |
| -  | -  | -  | -  | -  | -  | -  | -  |
| 15 | 14 | 13 | 12 | 11 | 10 | 9  | 8  |
| RB |    |    |    |    |    |    |    |
| 7  | 6  | 5  | 4  | 3  | 2  | 1  | 0  |
| RB |    |    |    |    |    |    |    |

- **RB: Register B**

RB contains the Register B value in real time.





### 33.6.9 TC Register C

**Register Name:** TC\_RCx [x=0..2]

**Access Type:** Read-write

|    |    |    |    |    |    |    |    |
|----|----|----|----|----|----|----|----|
| 31 | 30 | 29 | 28 | 27 | 26 | 25 | 24 |
| -  | -  | -  | -  | -  | -  | -  | -  |
| 23 | 22 | 21 | 20 | 19 | 18 | 17 | 16 |
| -  | -  | -  | -  | -  | -  | -  | -  |
| 15 | 14 | 13 | 12 | 11 | 10 | 9  | 8  |
| RC |    |    |    |    |    |    |    |
| 7  | 6  | 5  | 4  | 3  | 2  | 1  | 0  |
| RC |    |    |    |    |    |    |    |

- **RC: Register C**

RC contains the Register C value in real time.



### 33.6.10 TC Status Register

**Register Name:** TC\_SRx [x=0..2]

**Access Type:** Read-only

|       |       |       |      |      |       |       |        |
|-------|-------|-------|------|------|-------|-------|--------|
| 31    | 30    | 29    | 28   | 27   | 26    | 25    | 24     |
| –     | –     | –     | –    | –    | –     | –     | –      |
| 23    | 22    | 21    | 20   | 19   | 18    | 17    | 16     |
| –     | –     | –     | –    | –    | MTIOB | MTIOA | CLKSTA |
| 15    | 14    | 13    | 12   | 11   | 10    | 9     | 8      |
| –     | –     | –     | –    | –    | –     | –     | –      |
| 7     | 6     | 5     | 4    | 3    | 2     | 1     | 0      |
| ETRGS | LDRBS | LDRAS | CPCS | CPBS | CPAS  | LOVRS | COVFS  |

- **COVFS: Counter Overflow Status**

0 = No counter overflow has occurred since the last read of the Status Register.

1 = A counter overflow has occurred since the last read of the Status Register.

- **LOVRS: Load Overrun Status**

0 = Load overrun has not occurred since the last read of the Status Register or WAVE = 1.

1 = RA or RB have been loaded at least twice without any read of the corresponding register since the last read of the Status Register, if WAVE = 0.

- **CPAS: RA Compare Status**

0 = RA Compare has not occurred since the last read of the Status Register or WAVE = 0.

1 = RA Compare has occurred since the last read of the Status Register, if WAVE = 1.

- **CPBS: RB Compare Status**

0 = RB Compare has not occurred since the last read of the Status Register or WAVE = 0.

1 = RB Compare has occurred since the last read of the Status Register, if WAVE = 1.

- **CPCS: RC Compare Status**

0 = RC Compare has not occurred since the last read of the Status Register.

1 = RC Compare has occurred since the last read of the Status Register.

- **LDRAS: RA Loading Status**

0 = RA Load has not occurred since the last read of the Status Register or WAVE = 1.

1 = RA Load has occurred since the last read of the Status Register, if WAVE = 0.

- **LDRBS: RB Loading Status**

0 = RB Load has not occurred since the last read of the Status Register or WAVE = 1.

1 = RB Load has occurred since the last read of the Status Register, if WAVE = 0.

- **ETRGS: External Trigger Status**

0 = External trigger has not occurred since the last read of the Status Register.

1 = External trigger has occurred since the last read of the Status Register.

- **CLKSTA: Clock Enabling Status**

0 = Clock is disabled.

1 = Clock is enabled.

- **MTIOA: TIOA Mirror**

0 = TIOA is low. If WAVE = 0, this means that TIOA pin is low. If WAVE = 1, this means that TIOA is driven low.

1 = TIOA is high. If WAVE = 0, this means that TIOA pin is high. If WAVE = 1, this means that TIOA is driven high.

- **MTIOB: TIOB Mirror**

0 = TIOB is low. If WAVE = 0, this means that TIOB pin is low. If WAVE = 1, this means that TIOB is driven low.

1 = TIOB is high. If WAVE = 0, this means that TIOB pin is high. If WAVE = 1, this means that TIOB is driven high.

### 33.6.11 TC Interrupt Enable Register

**Register Name:** TC\_IERx [x=0..2]

**Access Type:** Write-only

|       |       |       |      |      |      |       |       |
|-------|-------|-------|------|------|------|-------|-------|
| 31    | 30    | 29    | 28   | 27   | 26   | 25    | 24    |
| –     | –     | –     | –    | –    | –    | –     | –     |
| 23    | 22    | 21    | 20   | 19   | 18   | 17    | 16    |
| –     | –     | –     | –    | –    | –    | –     | –     |
| 15    | 14    | 13    | 12   | 11   | 10   | 9     | 8     |
| –     | –     | –     | –    | –    | –    | –     | –     |
| 7     | 6     | 5     | 4    | 3    | 2    | 1     | 0     |
| ETRGS | LDRBS | LDRAS | CPCS | CPBS | CPAS | LOVRS | COVFS |

- **COVFS: Counter Overflow**

0 = No effect.

1 = Enables the Counter Overflow Interrupt.

- **LOVRS: Load Overrun**

0 = No effect.

1 = Enables the Load Overrun Interrupt.

- **CPAS: RA Compare**

0 = No effect.

1 = Enables the RA Compare Interrupt.

- **CPBS: RB Compare**

0 = No effect.

1 = Enables the RB Compare Interrupt.

- **CPCS: RC Compare**

0 = No effect.

1 = Enables the RC Compare Interrupt.

- **LDRAS: RA Loading**

0 = No effect.

1 = Enables the RA Load Interrupt.

- **LDRBS: RB Loading**

0 = No effect.

1 = Enables the RB Load Interrupt.

- **ETRGS: External Trigger**

0 = No effect.

1 = Enables the External Trigger Interrupt.



### 33.6.12 TC Interrupt Disable Register

**Register Name:** TC\_IDRx [x=0..2]

**Access Type:** Write-only

|       |       |       |      |      |      |       |       |
|-------|-------|-------|------|------|------|-------|-------|
| 31    | 30    | 29    | 28   | 27   | 26   | 25    | 24    |
| –     | –     | –     | –    | –    | –    | –     | –     |
| 23    | 22    | 21    | 20   | 19   | 18   | 17    | 16    |
| –     | –     | –     | –    | –    | –    | –     | –     |
| 15    | 14    | 13    | 12   | 11   | 10   | 9     | 8     |
| –     | –     | –     | –    | –    | –    | –     | –     |
| 7     | 6     | 5     | 4    | 3    | 2    | 1     | 0     |
| ETRGS | LDRBS | LDRAS | CPCS | CPBS | CPAS | LOVRS | COVFS |

- **COVFS: Counter Overflow**

0 = No effect.

1 = Disables the Counter Overflow Interrupt.

- **LOVRS: Load Overrun**

0 = No effect.

1 = Disables the Load Overrun Interrupt (if WAVE = 0).

- **CPAS: RA Compare**

0 = No effect.

1 = Disables the RA Compare Interrupt (if WAVE = 1).

- **CPBS: RB Compare**

0 = No effect.

1 = Disables the RB Compare Interrupt (if WAVE = 1).

- **CPCS: RC Compare**

0 = No effect.

1 = Disables the RC Compare Interrupt.

- **LDRAS: RA Loading**

0 = No effect.

1 = Disables the RA Load Interrupt (if WAVE = 0).

- **LDRBS: RB Loading**

0 = No effect.

1 = Disables the RB Load Interrupt (if WAVE = 0).

- **ETRGS: External Trigger**

0 = No effect.

1 = Disables the External Trigger Interrupt.

### 33.6.13 TC Interrupt Mask Register

**Register Name:** TC\_IMRx [x=0..2]

**Access Type:** Read-only

|       |       |       |      |      |      |       |       |
|-------|-------|-------|------|------|------|-------|-------|
| 31    | 30    | 29    | 28   | 27   | 26   | 25    | 24    |
| –     | –     | –     | –    | –    | –    | –     | –     |
| 23    | 22    | 21    | 20   | 19   | 18   | 17    | 16    |
| –     | –     | –     | –    | –    | –    | –     | –     |
| 15    | 14    | 13    | 12   | 11   | 10   | 9     | 8     |
| –     | –     | –     | –    | –    | –    | –     | –     |
| 7     | 6     | 5     | 4    | 3    | 2    | 1     | 0     |
| ETRGS | LDRBS | LDRAS | CPCS | CPBS | CPAS | LOVRS | COVFS |

- **COVFS: Counter Overflow**

0 = The Counter Overflow Interrupt is disabled.

1 = The Counter Overflow Interrupt is enabled.

- **LOVRS: Load Overrun**

0 = The Load Overrun Interrupt is disabled.

1 = The Load Overrun Interrupt is enabled.

- **CPAS: RA Compare**

0 = The RA Compare Interrupt is disabled.

1 = The RA Compare Interrupt is enabled.

- **CPBS: RB Compare**

0 = The RB Compare Interrupt is disabled.

1 = The RB Compare Interrupt is enabled.

- **CPCS: RC Compare**

0 = The RC Compare Interrupt is disabled.

1 = The RC Compare Interrupt is enabled.

- **LDRAS: RA Loading**

0 = The Load RA Interrupt is disabled.

1 = The Load RA Interrupt is enabled.

- **LDRBS: RB Loading**

0 = The Load RB Interrupt is disabled.

1 = The Load RB Interrupt is enabled.

- **ETRGS: External Trigger**

0 = The External Trigger Interrupt is disabled.

1 = The External Trigger Interrupt is enabled.

## 34. Pulse Width Modulation Controller (PWM)

### 34.1 overview

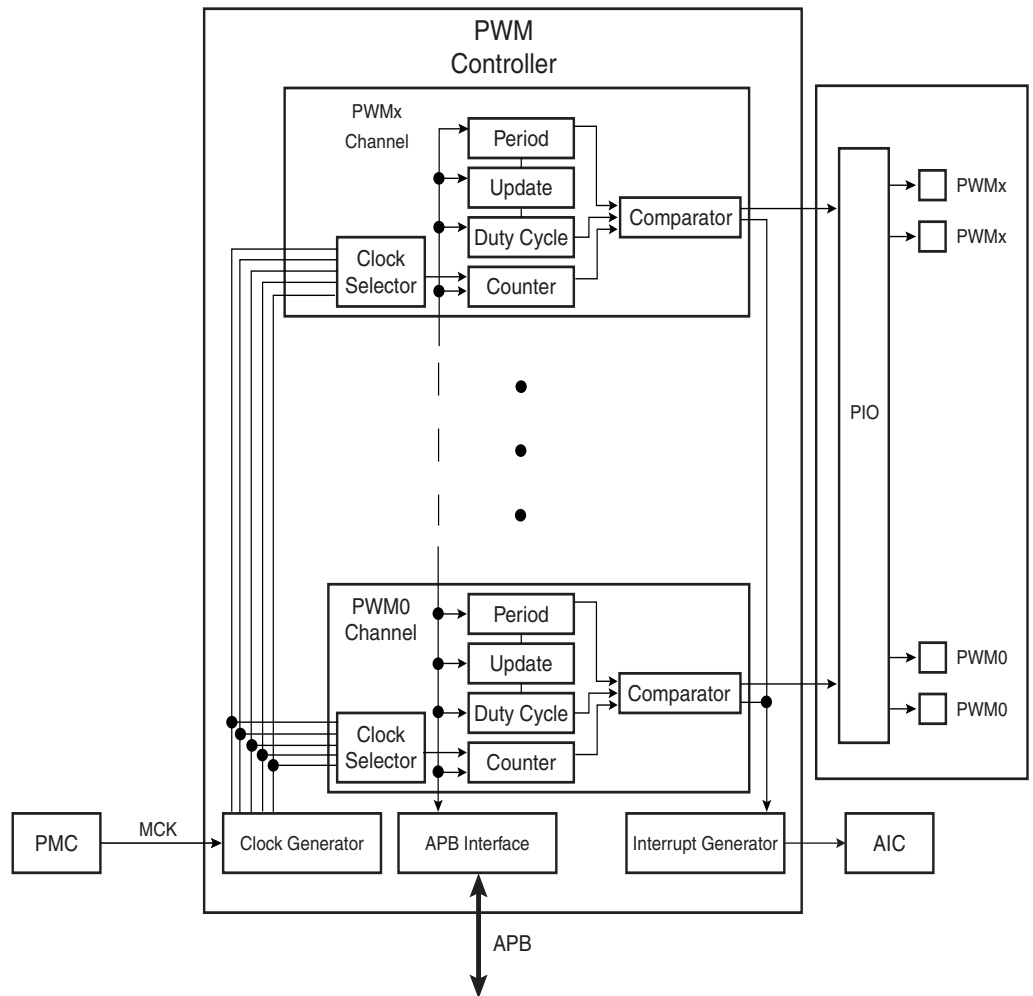
The PWM macrocell controls several channels independently. Each channel controls one square output waveform. Characteristics of the output waveform such as period, duty-cycle and polarity are configurable through the user interface. Each channel selects and uses one of the clocks provided by the clock generator. The clock generator provides several clocks resulting from the division of the PWM macrocell master clock.

All PWM macrocell accesses are made through APB mapped registers.

Channels can be synchronized, to generate non overlapped waveforms. All channels integrate a double buffering system in order to prevent an unexpected output waveform while modifying the period or the duty-cycle.

### 34.2 Block Diagram

Figure 34-1. Pulse Width Modulation Controller Block Diagram



### 34.3 I/O Lines Description

Each channel outputs one waveform on one external I/O line.

**Table 34-1.** I/O Line Description

| Name | Description                       | Type   |
|------|-----------------------------------|--------|
| PWMx | PWM Waveform Output for channel x | Output |

### 34.4 Product Dependencies

#### 34.4.1 I/O Lines

The pins used for interfacing the PWM may be multiplexed with PIO lines. The programmer must first program the PIO controller to assign the desired PWM pins to their peripheral function. If I/O lines of the PWM are not used by the application, they can be used for other purposes by the PIO controller.

All of the PWM outputs may or may not be enabled. If an application requires only four channels, then only four PIO lines will be assigned to PWM outputs.

#### 34.4.2 Power Management

The PWM is not continuously clocked. The programmer must first enable the PWM clock in the Power Management Controller (PMC) before using the PWM. However, if the application does not require PWM operations, the PWM clock can be stopped when not needed and be restarted later. In this case, the PWM will resume its operations where it left off.

Configuring the PWM does not require the PWM clock to be enabled.

#### 34.4.3 Interrupt Sources

The PWM interrupt line is connected on one of the internal sources of the Advanced Interrupt Controller. Using the PWM interrupt requires the AIC to be programmed first. Note that it is not recommended to use the PWM interrupt line in edge sensitive mode.

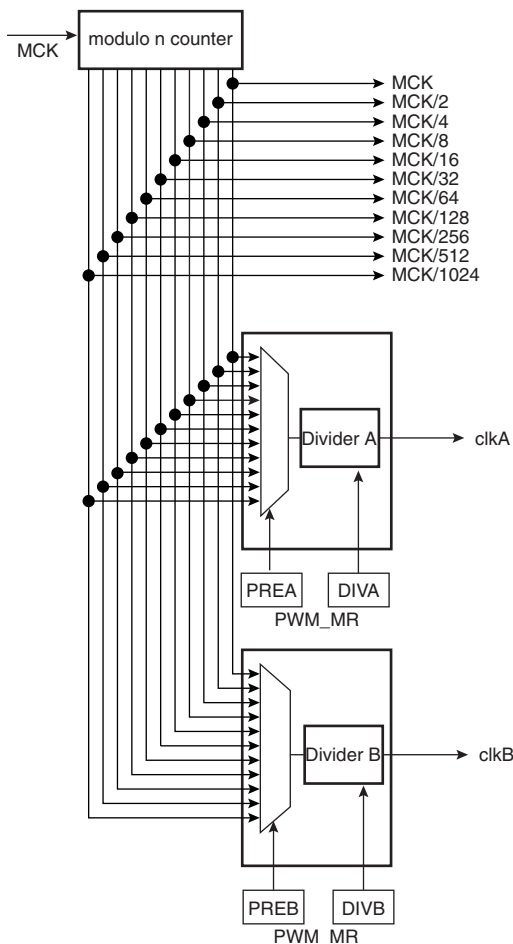
### 34.5 Functional Description

The PWM macrocell is primarily composed of a clock generator module and 4 channels.

- Clocked by the system clock, MCK, the clock generator module provides 13 clocks.
- Each channel can independently choose one of the clock generator outputs.
- Each channel generates an output waveform with attributes that can be defined independently for each channel through the user interface registers.

## 34.5.1 PWM Clock Generator

**Figure 34-2.** Functional View of the Clock Generator Block Diagram



**Caution:** Before using the PWM macrocell, the programmer must first enable the PWM clock in the Power Management Controller (PMC).

The PWM macrocell master clock, MCK, is divided in the clock generator module to provide different clocks available for all channels. Each channel can independently select one of the divided clocks.

The clock generator is divided in three blocks:

- a modulo n counter which provides 11 clocks:  $F_{MCK}$ ,  $F_{MCK}/2$ ,  $F_{MCK}/4$ ,  $F_{MCK}/8$ ,  $F_{MCK}/16$ ,  $F_{MCK}/32$ ,  $F_{MCK}/64$ ,  $F_{MCK}/128$ ,  $F_{MCK}/256$ ,  $F_{MCK}/512$ ,  $F_{MCK}/1024$
- two linear dividers (1, 1/2, 1/3, ... 1/255) that provide two separate clocks: clkA and clkB

Each linear divider can independently divide one of the clocks of the modulo n counter. The selection of the clock to be divided is made according to the PREA (PREB) field of the PWM Mode register (PWM\_MR). The resulting clock clkA (clkB) is the clock selected divided by DIVA (DIVB) field value in the PWM Mode register (PWM\_MR).

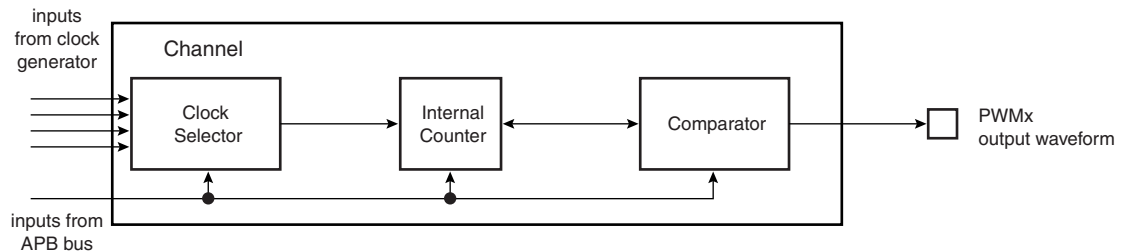
After a reset of the PWM controller, DIVA (DIVB) and PREA (PREB) in the PWM Mode register are set to 0. This implies that after reset clkA (clkB) are turned off.

At reset, all clocks provided by the modulo n counter are turned off except clock “clk”. This situation is also true when the PWM master clock is turned off through the Power Management Controller.

## 34.5.2 PWM Channel

### 34.5.2.1 Block Diagram

**Figure 34-3.** Functional View of the Channel Block Diagram



Each of the 4 channels is composed of three blocks:

- A clock selector which selects one of the clocks provided by the clock generator described in [Section 34.5.1 “PWM Clock Generator” on page 477](#).
- An internal counter clocked by the output of the clock selector. This internal counter is incremented or decremented according to the channel configuration and comparators events. The size of the internal counter is 16 bits.
- A comparator used to generate events according to the internal counter value. It also computes the PWMx output waveform according to the configuration.

### 34.5.2.2 Waveform Properties

The different properties of output waveforms are:

- the **internal clock selection**. The internal channel counter is clocked by one of the clocks provided by the clock generator described in the previous section. This channel parameter is defined in the CPRE field of the PWM\_CMRx register. This field is reset at 0.
- the **waveform period**. This channel parameter is defined in the CPRD field of the PWM\_CPRDx register.
  - If the waveform is left aligned, then the output waveform period depends on the counter source clock and can be calculated:  
By using the Master Clock (MCK) divided by an X given prescaler value (with X being 1, 2, 4, 8, 16, 32, 64, 128, 256, 512, or 1024), the resulting period formula will be:

$$\frac{(X \times CPRD)}{MCK}$$

By using a Master Clock divided by one of both DIVA or DIVB divider, the formula becomes, respectively:

$$\frac{(CRPD \times DIVA)}{MCK} \text{ or } \frac{(CRPD \times DIVB)}{MCK}$$

If the waveform is center aligned then the output waveform period depends on the counter source clock and can be calculated:

By using the Master Clock (MCK) divided by an X given prescaler value (with X being 1, 2, 4, 8, 16, 32, 64, 128, 256, 512, or 1024). The resulting period formula will be:

$$\frac{(2 \times X \times CPRD)}{MCK}$$

By using a Master Clock divided by one of both DIVA or DIVB divider, the formula becomes, respectively:

$$\frac{(2 \times CPRD \times DIVA)}{MCK} \text{ or } \frac{(2 \times CPRD \times DIVB)}{MCK}$$

- the **waveform duty cycle**. This channel parameter is defined in the CDTY field of the PWM\_CDTYx register.

If the waveform is left aligned then:

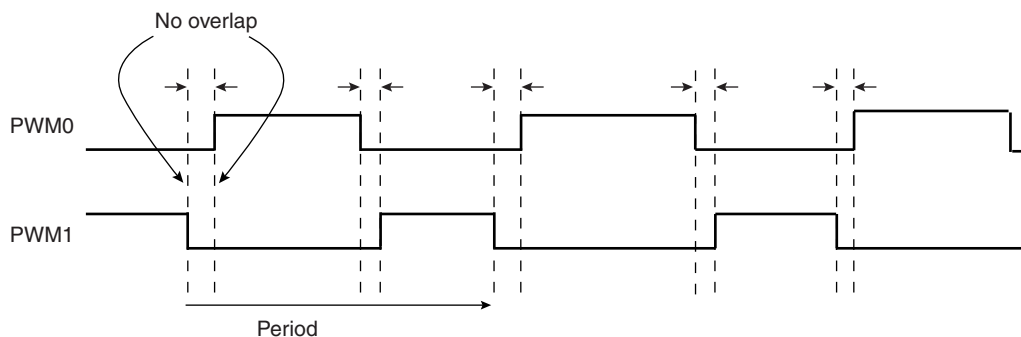
$$\text{duty cycle} = \frac{(\text{period} - 1 / \text{fchannel\_x\_clock} \times \text{CDTY})}{\text{period}}$$

If the waveform is center aligned, then:

$$\text{duty cycle} = \frac{((\text{period} / 2) - 1 / \text{fchannel\_x\_clock} \times \text{CDTY})}{(\text{period} / 2)}$$

- the **waveform polarity**. At the beginning of the period, the signal can be at high or low level. This property is defined in the CPOL field of the PWM\_CMRx register. By default the signal starts by a low level.
- the **waveform alignment**. The output waveform can be left or center aligned. Center aligned waveforms can be used to generate non overlapped waveforms. This property is defined in the CALG field of the PWM\_CMRx register. The default mode is left aligned.

**Figure 34-4.** Non Overlapped Center Aligned Waveforms



Note: See [Figure 34-5 on page 481](#) for a detailed description of center aligned waveforms.

When center aligned, the internal channel counter increases up to CPRD and decreases down to 0. This ends the period.

When left aligned, the internal channel counter increases up to CPRD and is reset. This ends the period.

Thus, for the same CPRD value, the period for a center aligned channel is twice the period for a left aligned channel.

Waveforms are fixed at 0 when:

- CDTY = CPRD and CPOL = 0
- CDTY = 0 and CPOL = 1

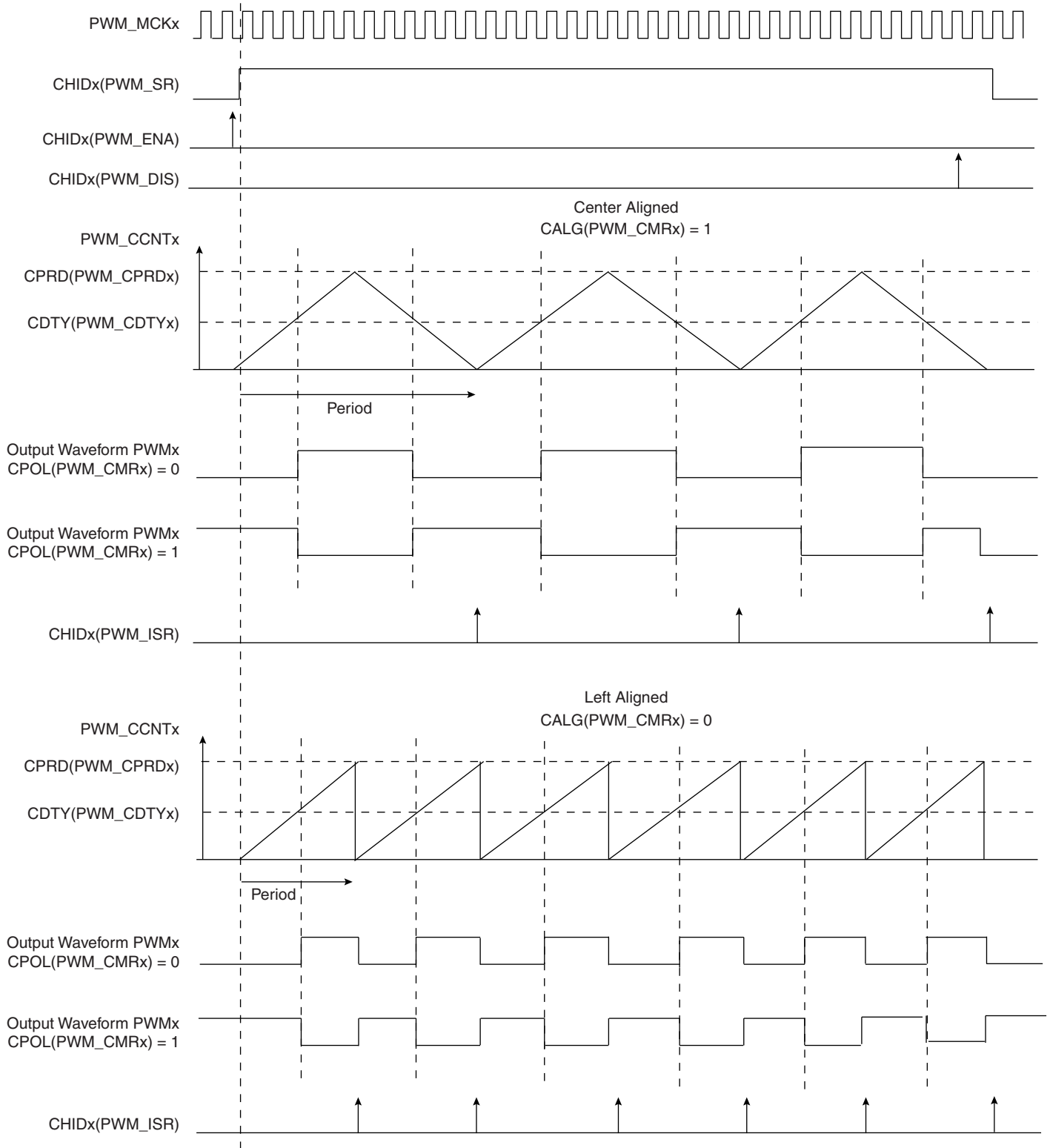
Waveforms are fixed at 1 (once the channel is enabled) when:

- CDTY = 0 and CPOL = 0
- CDTY = CPRD and CPOL = 1

The waveform polarity must be set before enabling the channel. This immediately affects the channel output level. Changes on channel polarity are not taken into account while the channel is enabled.



Figure 34-5. Waveform Properties



### 34.5.3 PWM Controller Operations

#### 34.5.3.1 Initialization

Before enabling the output channel, this channel must have been configured by the software application:

- Configuration of the clock generator if DIVA and DIVB are required
- Selection of the clock for each channel (CPRE field in the PWM\_CM Rx register)
- Configuration of the waveform alignment for each channel (CALG field in the PWM\_CM Rx register)
- Configuration of the period for each channel (CPRD in the PWM\_CPRDx register). Writing in PWM\_CPRDx Register is possible while the channel is disabled. After validation of the channel, the user must use PWM\_CUPDx Register to update PWM\_CPRDx as explained below.
- Configuration of the duty cycle for each channel (CDTY in the PWM\_CDTYx register). Writing in PWM\_CDTYx Register is possible while the channel is disabled. After validation of the channel, the user must use PWM\_CUPDx Register to update PWM\_CDTYx as explained below.
- Configuration of the output waveform polarity for each channel (CPOL in the PWM\_CM Rx register)
- Enable Interrupts (Writing CHIDx in the PWM\_IER register)
- Enable the PWM channel (Writing CHIDx in the PWM\_ENA register)

It is possible to synchronize different channels by enabling them at the same time by means of writing simultaneously several CHIDx bits in the PWM\_ENA register.

- In such a situation, all channels may have the same clock selector configuration and the same period specified.

#### 34.5.3.2 Source Clock Selection Criteria

The large number of source clocks can make selection difficult. The relationship between the value in the Period Register (PWM\_CPRDx) and the Duty Cycle Register (PWM\_CDTYx) can help the user in choosing. The event number written in the Period Register gives the PWM accuracy. The Duty Cycle quantum cannot be lower than  $1/PWM\_CPRDx$  value. The higher the value of PWM\_CPRDx, the greater the PWM accuracy.

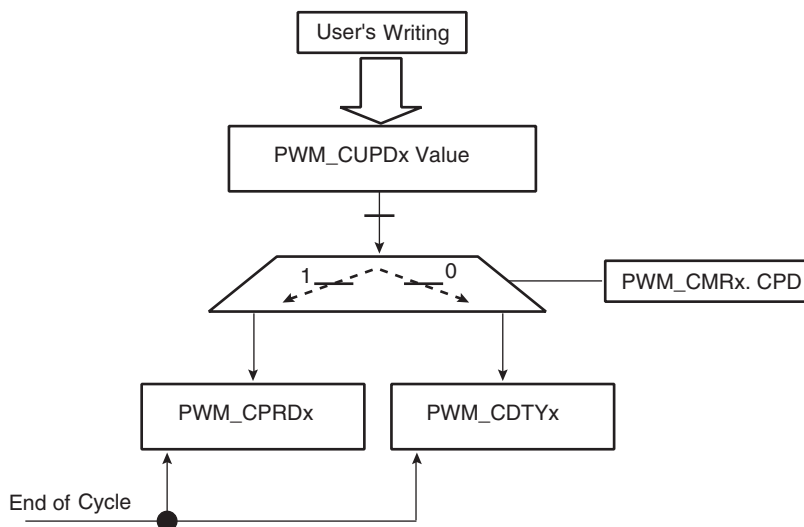
For example, if the user sets 15 (in decimal) in PWM\_CPRDx, the user is able to set a value between 1 up to 14 in PWM\_CDTYx Register. The resulting duty cycle quantum cannot be lower than  $1/15$  of the PWM period.

#### 34.5.3.3 Changing the Duty Cycle or the Period

It is possible to modulate the output waveform duty cycle or period.

To prevent unexpected output waveform, the user must use the update register (PWM\_CUPDx) to change waveform parameters while the channel is still enabled. The user can write a new period value or duty cycle value in the update register (PWM\_CUPDx). This register holds the new value until the end of the current cycle and updates the value for the next cycle. Depending on the CPD field in the PWM\_CM Rx register, PWM\_CUPDx either updates PWM\_CPRDx or PWM\_CDTYx. Note that even if the update register is used, the period must not be smaller than the duty cycle.

**Figure 34-6.** Synchronized Period or Duty Cycle Update



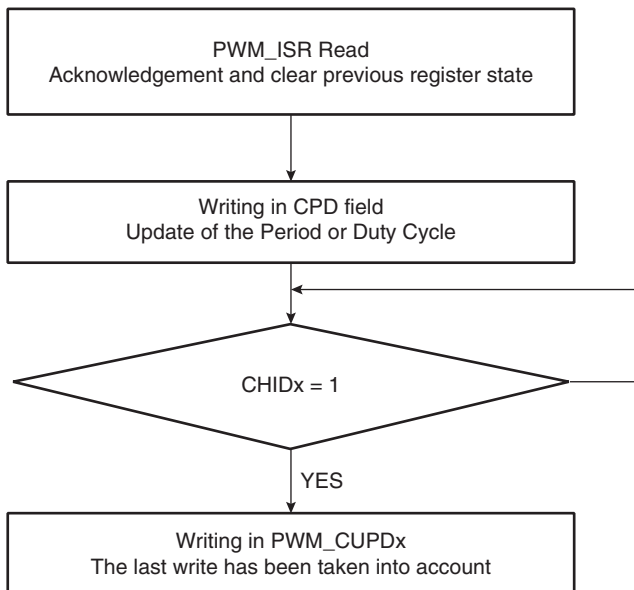
To prevent overwriting the PWM\_CUPDx by software, the user can use status events in order to synchronize his software. Two methods are possible. In both, the user must enable the dedicated interrupt in PWM\_IER at PWM Controller level.

The first method (polling method) consists of reading the relevant status bit in PWM\_ISR Register according to the enabled channel(s). See [Figure 34-7](#).

The second method uses an Interrupt Service Routine associated with the PWM channel.

Note: Reading the PWM\_ISR register automatically clears CHIDx flags.

**Figure 34-7.** Polling Method



Note: Polarity and alignment can be modified only when the channel is disabled.

### 34.5.3.4 Interrupts

Depending on the interrupt mask in the PWM\_IMR register, an interrupt is generated at the end of the corresponding channel period. The interrupt remains active until a read operation in the PWM\_ISR register occurs.

A channel interrupt is enabled by setting the corresponding bit in the PWM\_IER register. A channel interrupt is disabled by setting the corresponding bit in the PWM\_IDR register.

## 34.6 Pulse Width Modulation Controller (PWM) User Interface

**Table 34-2.** Register Mapping

| Offset <sup>(1)</sup>        | Register                        | Name     | Access     | Reset |
|------------------------------|---------------------------------|----------|------------|-------|
| 0x00                         | PWM Mode Register               | PWM_MR   | Read/Write | 0     |
| 0x04                         | PWM Enable Register             | PWM_ENA  | Write-only | -     |
| 0x08                         | PWM Disable Register            | PWM_DIS  | Write-only | -     |
| 0x0C                         | PWM Status Register             | PWM_SR   | Read-only  | 0     |
| 0x10                         | PWM Interrupt Enable Register   | PWM_IER  | Write-only | -     |
| 0x14                         | PWM Interrupt Disable Register  | PWM_IDR  | Write-only | -     |
| 0x18                         | PWM Interrupt Mask Register     | PWM_IMR  | Read-only  | 0     |
| 0x1C                         | PWM Interrupt Status Register   | PWM_ISR  | Read-only  | 0     |
| 0x4C - 0xFC                  | Reserved                        | -        | -          | -     |
| 0x100 - 0x1FC                | Reserved                        |          |            |       |
| 0x200 + ch_num * 0x20 + 0x00 | PWM Channel Mode Register       | PWM_CMR  | Read/Write | 0x0   |
| 0x200 + ch_num * 0x20 + 0x04 | PWM Channel Duty Cycle Register | PWM_CDTY | Read/Write | 0x0   |
| 0x200 + ch_num * 0x20 + 0x08 | PWM Channel Period Register     | PWM_CPRD | Read/Write | 0x0   |
| 0x200 + ch_num * 0x20 + 0x0C | PWM Channel Counter Register    | PWM_CCNT | Read-only  | 0x0   |
| 0x200 + ch_num * 0x20 + 0x10 | PWM Channel Update Register     | PWM_CUPD | Write-only | -     |

Note: 1. Some registers are indexed with “ch\_num” index ranging from 0 to X-1.

## 34.6.1 PWM Mode Register

Register Name: PWM\_MR

Access Type: Read/Write

|      |    |    |    |      |    |    |    |
|------|----|----|----|------|----|----|----|
| 31   | 30 | 29 | 28 | 27   | 26 | 25 | 24 |
| –    | –  | –  | –  | PREB |    |    |    |
| 23   | 22 | 21 | 20 | 19   | 18 | 17 | 16 |
| DIVB |    |    |    |      |    |    |    |
| 15   | 14 | 13 | 12 | 11   | 10 | 9  | 8  |
| –    | –  | –  | –  | PREA |    |    |    |
| 7    | 6  | 5  | 4  | 3    | 2  | 1  | 0  |
| DIVA |    |    |    |      |    |    |    |

- **DIVA, DIVB: CLKA, CLKB Divide Factor**

| DIVA, DIVB | CLKA, CLKB   |
|------------|--|
| 0          | CLKA, CLKB clock is turned off   |
| 1          | CLKA, CLKB clock is clock selected by PREA, PREB                               |
| 2-255      | CLKA, CLKB clock is clock selected by PREA, PREB divided by DIVA, DIVB factor. |

- **PREA, PREB**

| PREA, PREB |   |   |   | Divider Input Clock |
|------------|---|---|---|---------------------|
| 0          | 0 | 0 | 0 | MCK.                |
| 0          | 0 | 0 | 1 | MCK/2               |
| 0          | 0 | 1 | 0 | MCK/4               |
| 0          | 0 | 1 | 1 | MCK/8               |
| 0          | 1 | 0 | 0 | MCK/16              |
| 0          | 1 | 0 | 1 | MCK/32              |
| 0          | 1 | 1 | 0 | MCK/64              |
| 0          | 1 | 1 | 1 | MCK/128             |
| 1          | 0 | 0 | 0 | MCK/256             |
| 1          | 0 | 0 | 1 | MCK/512             |
| 1          | 0 | 1 | 0 | MCK/1024            |
| Other      |   |   |   | Reserved            |

### 34.6.2 PWM Enable Register

Register Name: PWM\_ENA

Access Type: Write-only

|    |    |    |    |       |       |       |       |
|----|----|----|----|-------|-------|-------|-------|
| 31 | 30 | 29 | 28 | 27    | 26    | 25    | 24    |
| –  | –  | –  | –  | –     | –     | –     | –     |
| 23 | 22 | 21 | 20 | 19    | 18    | 17    | 16    |
| –  | –  | –  | –  | –     | –     | –     | –     |
| 15 | 14 | 13 | 12 | 11    | 10    | 9     | 8     |
| –  | –  | –  | –  | –     | –     | –     | –     |
| 7  | 6  | 5  | 4  | 3     | 2     | 1     | 0     |
| –  | –  | –  | –  | CHID3 | CHID2 | CHID1 | CHID0 |

- **CHIDx: Channel ID**

0 = No effect.

1 = Enable PWM output for channel x.

### 34.6.3 PWM Disable Register

Register Name: PWM\_DIS

Access Type: Write-only

|    |    |    |    |       |       |       |       |
|----|----|----|----|-------|-------|-------|-------|
| 31 | 30 | 29 | 28 | 27    | 26    | 25    | 24    |
| –  | –  | –  | –  | –     | –     | –     | –     |
| 23 | 22 | 21 | 20 | 19    | 18    | 17    | 16    |
| –  | –  | –  | –  | –     | –     | –     | –     |
| 15 | 14 | 13 | 12 | 11    | 10    | 9     | 8     |
| –  | –  | –  | –  | –     | –     | –     | –     |
| 7  | 6  | 5  | 4  | 3     | 2     | 1     | 0     |
| –  | –  | –  | –  | CHID3 | CHID2 | CHID1 | CHID0 |

- **CHIDx: Channel ID**

0 = No effect.

1 = Disable PWM output for channel x.

## 34.6.4 PWM Status Register

**Register Name:** PWM\_SR

**Access Type:** Read-only

|    |    |    |    |       |       |       |       |
|----|----|----|----|-------|-------|-------|-------|
| 31 | 30 | 29 | 28 | 27    | 26    | 25    | 24    |
| -  | -  | -  | -  | -     | -     | -     | -     |
| 23 | 22 | 21 | 20 | 19    | 18    | 17    | 16    |
| -  | -  | -  | -  | -     | -     | -     | -     |
| 15 | 14 | 13 | 12 | 11    | 10    | 9     | 8     |
| -  | -  | -  | -  | -     | -     | -     | -     |
| 7  | 6  | 5  | 4  | 3     | 2     | 1     | 0     |
| -  | -  | -  | -  | CHID3 | CHID2 | CHID1 | CHID0 |

- **CHIDx: Channel ID**

0 = PWM output for channel x is disabled.

1 = PWM output for channel x is enabled.

### 34.6.5 PWM Interrupt Enable Register

**Register Name:** PWM\_IER

**Access Type:** Write-only

|    |    |    |    |       |       |       |       |
|----|----|----|----|-------|-------|-------|-------|
| 31 | 30 | 29 | 28 | 27    | 26    | 25    | 24    |
| –  | –  | –  | –  | –     | –     | –     | –     |
| 23 | 22 | 21 | 20 | 19    | 18    | 17    | 16    |
| –  | –  | –  | –  | –     | –     | –     | –     |
| 15 | 14 | 13 | 12 | 11    | 10    | 9     | 8     |
| –  | –  | –  | –  | –     | –     | –     | –     |
| 7  | 6  | 5  | 4  | 3     | 2     | 1     | 0     |
| –  | –  | –  | –  | CHID3 | CHID2 | CHID1 | CHID0 |

• **CHIDx: Channel ID.**

0 = No effect.

1 = Enable interrupt for PWM channel x.

### 34.6.6 PWM Interrupt Disable Register

**Register Name:** PWM\_IDR

**Access Type:** Write-only

|    |    |    |    |       |       |       |       |
|----|----|----|----|-------|-------|-------|-------|
| 31 | 30 | 29 | 28 | 27    | 26    | 25    | 24    |
| –  | –  | –  | –  | –     | –     | –     | –     |
| 23 | 22 | 21 | 20 | 19    | 18    | 17    | 16    |
| –  | –  | –  | –  | –     | –     | –     | –     |
| 15 | 14 | 13 | 12 | 11    | 10    | 9     | 8     |
| –  | –  | –  | –  | –     | –     | –     | –     |
| 7  | 6  | 5  | 4  | 3     | 2     | 1     | 0     |
| –  | –  | –  | –  | CHID3 | CHID2 | CHID1 | CHID0 |

• **CHIDx: Channel ID.**

0 = No effect.

1 = Disable interrupt for PWM channel x.



## 34.6.7 PWM Interrupt Mask Register

**Register Name:** PWM\_IMR

**Access Type:** Read-only

|    |    |    |    |       |       |       |       |
|----|----|----|----|-------|-------|-------|-------|
| 31 | 30 | 29 | 28 | 27    | 26    | 25    | 24    |
| –  | –  | –  | –  | –     | –     | –     | –     |
| 23 | 22 | 21 | 20 | 19    | 18    | 17    | 16    |
| –  | –  | –  | –  | –     | –     | –     | –     |
| 15 | 14 | 13 | 12 | 11    | 10    | 9     | 8     |
| –  | –  | –  | –  | –     | –     | –     | –     |
| 7  | 6  | 5  | 4  | 3     | 2     | 1     | 0     |
| –  | –  | –  | –  | CHID3 | CHID2 | CHID1 | CHID0 |

- **CHIDx: Channel ID.**

0 = Interrupt for PWM channel x is disabled.

1 = Interrupt for PWM channel x is enabled.



### 34.6.8 PWM Interrupt Status Register

Register Name: PWM\_ISR

Access Type: Read-only

|    |    |    |    |       |       |       |       |
|----|----|----|----|-------|-------|-------|-------|
| 31 | 30 | 29 | 28 | 27    | 26    | 25    | 24    |
| –  | –  | –  | –  | –     | –     | –     | –     |
| 23 | 22 | 21 | 20 | 19    | 18    | 17    | 16    |
| –  | –  | –  | –  | –     | –     | –     | –     |
| 15 | 14 | 13 | 12 | 11    | 10    | 9     | 8     |
| –  | –  | –  | –  | –     | –     | –     | –     |
| 7  | 6  | 5  | 4  | 3     | 2     | 1     | 0     |
| –  | –  | –  | –  | CHID3 | CHID2 | CHID1 | CHID0 |

- **CHIDx: Channel ID**

0 = No new channel period has been achieved since the last read of the PWM\_ISR register.

1 = At least one new channel period has been achieved since the last read of the PWM\_ISR register.

Note: Reading PWM\_ISR automatically clears CHIDx flags.

## 34.6.9 PWM Channel Mode Register

Register Name: PWM\_CMR[0..X-1]

Access Type: Read/Write

|    |    |    |    |      |     |      |      |  |
|----|----|----|----|------|-----|------|------|--|
| 31 | 30 | 29 | 28 | 27   | 26  | 25   | 24   |  |
| –  | –  | –  | –  | –    | –   | –    | –    |  |
| 23 | 22 | 21 | 20 | 19   | 18  | 17   | 16   |  |
| –  | –  | –  | –  | –    | –   | –    | –    |  |
| 15 | 14 | 13 | 12 | 11   | 10  | 9    | 8    |  |
| –  | –  | –  | –  | –    | CPD | CPOL | CALG |  |
| 7  | 6  | 5  | 4  | 3    | 2   | 1    | 0    |  |
| –  | –  | –  | –  | CPRE |     |      |      |  |

- **CPRE: Channel Pre-scaler**

| CPRE  |   |   |   | Channel Pre-scaler |
|-------|---|---|---|--------------------|
| 0     | 0 | 0 | 0 | MCK                |
| 0     | 0 | 0 | 1 | MCK/2              |
| 0     | 0 | 1 | 0 | MCK/4              |
| 0     | 0 | 1 | 1 | MCK/8              |
| 0     | 1 | 0 | 0 | MCK/16             |
| 0     | 1 | 0 | 1 | MCK/32             |
| 0     | 1 | 1 | 0 | MCK/64             |
| 0     | 1 | 1 | 1 | MCK/128            |
| 1     | 0 | 0 | 0 | MCK/256            |
| 1     | 0 | 0 | 1 | MCK/512            |
| 1     | 0 | 1 | 0 | MCK/1024           |
| 1     | 0 | 1 | 1 | CLKA               |
| 1     | 1 | 0 | 0 | CLKB               |
| Other |   |   |   | Reserved           |

- **CALG: Channel Alignment**

0 = The period is left aligned.

1 = The period is center aligned.

- **CPOL: Channel Polarity**

0 = The output waveform starts at a low level.

1 = The output waveform starts at a high level.

- **CPD: Channel Update Period**

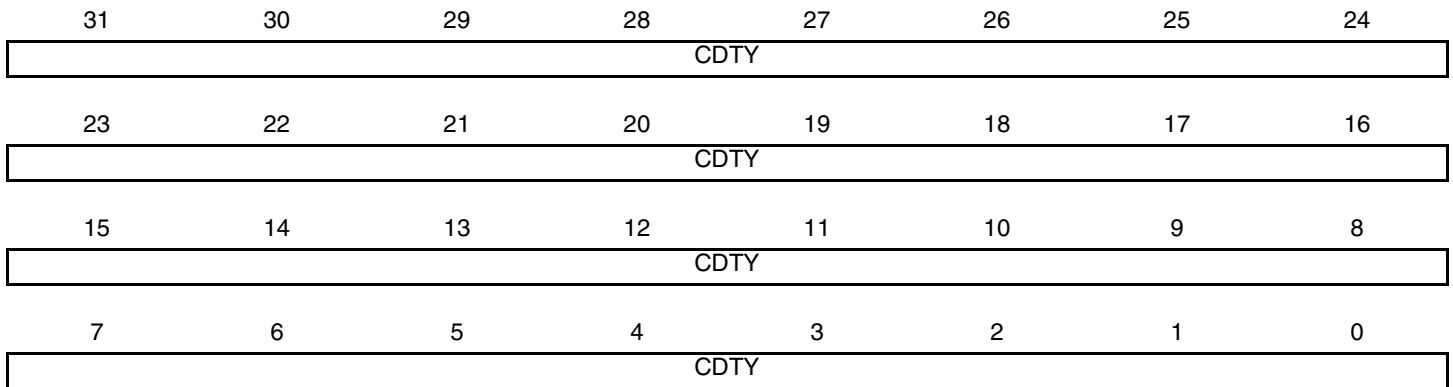
0 = Writing to the PWM\_CUPDx will modify the duty cycle at the next period start event.

1 = Writing to the PWM\_CUPDx will modify the period at the next period start event.

### 34.6.10 PWM Channel Duty Cycle Register

**Register Name:** PWM\_CDTY[0..X-1]

**Access Type:** Read/Write



Only the first 16 bits (internal channel counter size) are significant.

- **CDTY: Channel Duty Cycle**

Defines the waveform duty cycle. This value must be defined between 0 and CPRD (PWM\_CPRx).

## 34.6.11 PWM Channel Period Register

**Register Name:** PWM\_CPRD[0..X-1]

**Access Type:** Read/Write

|      |    |    |    |    |    |    |    |
|------|----|----|----|----|----|----|----|
| 31   | 30 | 29 | 28 | 27 | 26 | 25 | 24 |
| CPRD |    |    |    |    |    |    |    |
| 23   | 22 | 21 | 20 | 19 | 18 | 17 | 16 |
| CPRD |    |    |    |    |    |    |    |
| 15   | 14 | 13 | 12 | 11 | 10 | 9  | 8  |
| CPRD |    |    |    |    |    |    |    |
| 7    | 6  | 5  | 4  | 3  | 2  | 1  | 0  |
| CPRD |    |    |    |    |    |    |    |

Only the first 16 bits (internal channel counter size) are significant.

- **CPRD: Channel Period**

If the waveform is left-aligned, then the output waveform period depends on the counter source clock and can be calculated:

- By using the Master Clock (MCK) divided by an X given prescaler value (with X being 1, 2, 4, 8, 16, 32, 64, 128, 256, 512, or 1024). The resulting period formula will be:

$$\frac{(X \times CPRD)}{MCK}$$

- By using a Master Clock divided by one of both DIVA or DIVB divider, the formula becomes, respectively:

$$\frac{(CPRD \times DIVA)}{MCK} \text{ or } \frac{(CPRD \times DIVB)}{MCK}$$

If the waveform is center-aligned, then the output waveform period depends on the counter source clock and can be calculated:

- By using the Master Clock (MCK) divided by an X given prescaler value (with X being 1, 2, 4, 8, 16, 32, 64, 128, 256, 512, or 1024). The resulting period formula will be:

$$\frac{(2 \times X \times CPRD)}{MCK}$$

- By using a Master Clock divided by one of both DIVA or DIVB divider, the formula becomes, respectively:

$$\frac{(2 \times CPRD \times DIVA)}{MCK} \text{ or } \frac{(2 \times CPRD \times DIVB)}{MCK}$$

### 34.6.12 PWM Channel Counter Register

**Register Name:** PWM\_CCNT[0..X-1]

**Access Type:** Read-only

|     |    |    |    |    |    |    |    |
|-----|----|----|----|----|----|----|----|
| 31  | 30 | 29 | 28 | 27 | 26 | 25 | 24 |
| CNT |    |    |    |    |    |    |    |
| 23  | 22 | 21 | 20 | 19 | 18 | 17 | 16 |
| CNT |    |    |    |    |    |    |    |
| 15  | 14 | 13 | 12 | 11 | 10 | 9  | 8  |
| CNT |    |    |    |    |    |    |    |
| 7   | 6  | 5  | 4  | 3  | 2  | 1  | 0  |
| CNT |    |    |    |    |    |    |    |

• **CNT: Channel Counter Register**

Internal counter value. This register is reset when:

- the channel is enabled (writing CHIDx in the PWM\_ENA register).
- the counter reaches CPRD value defined in the PWM\_CPRDx register if the waveform is left aligned.

### 34.6.13 PWM Channel Update Register

**Register Name:** PWM\_CUPD[0..X-1]

**Access Type:** Write-only

|      |    |    |    |    |    |    |    |
|------|----|----|----|----|----|----|----|
| 31   | 30 | 29 | 28 | 27 | 26 | 25 | 24 |
| CUPD |    |    |    |    |    |    |    |
| 23   | 22 | 21 | 20 | 19 | 18 | 17 | 16 |
| CUPD |    |    |    |    |    |    |    |
| 15   | 14 | 13 | 12 | 11 | 10 | 9  | 8  |
| CUPD |    |    |    |    |    |    |    |
| 7    | 6  | 5  | 4  | 3  | 2  | 1  | 0  |
| CUPD |    |    |    |    |    |    |    |

This register acts as a double buffer for the period or the duty cycle. This prevents an unexpected waveform when modifying the waveform period or duty-cycle.

Only the first 16 bits (internal channel counter size) are significant.

| CPD (PWM_CMRx Register) |  |
|-------------------------|--|
| 0                       | The duty-cycle (CDTC in the PWM_CDRx register) is updated with the CUPD value at the beginning of the next period. |
| 1                       | The period (CPRD in the PWM_CPRx register) is updated with the CUPD value at the beginning of the next period.     |

## 35. USB Device Port (UDP)

### 35.1 Overview

The USB Device Port (UDP) is compliant with the Universal Serial Bus (USB) V2.0 full-speed device specification.

Each endpoint can be configured in one of several USB transfer types. It can be associated with one or two banks of a dual-port RAM used to store the current data payload. If two banks are used, one DPR bank is read or written by the processor, while the other is read or written by the USB device peripheral. This feature is mandatory for isochronous endpoints. Thus the device maintains the maximum bandwidth (1M bytes/s) by working with endpoints with two banks of DPR.

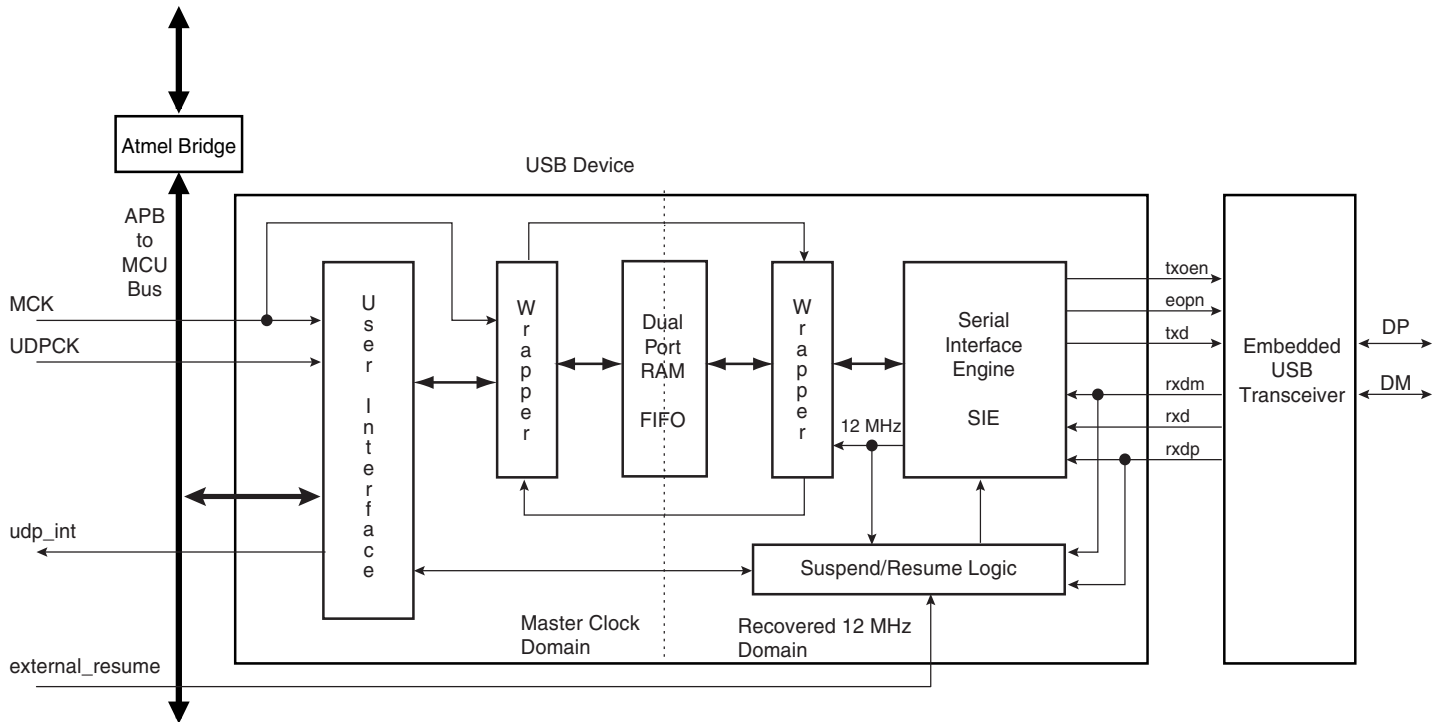
**Table 35-1.** USB Endpoint Description

| Endpoint Number | Mnemonic | Dual-Bank | Max. Endpoint Size | Endpoint Type          |
|-----------------|----------|-----------|--------------------|------------------------|
| 0               | EP0      | No        | 8                  | Control/Bulk/Interrupt |
| 1               | EP1      | Yes       | 64                 | Bulk/Iso/Interrupt     |
| 2               | EP2      | Yes       | 64                 | Bulk/Iso/Interrupt     |
| 3               | EP3      | No        | 64                 | Control/Bulk/Interrupt |

Suspend and resume are automatically detected by the USB device, which notifies the processor by raising an interrupt. Depending on the product, an external signal can be used to send a wake up to the USB host controller.

## 35.2 Block Diagram

Figure 35-1. Block Diagram



Access to the UDP is via the APB bus interface. Read and write to the data FIFO are done by reading and writing 8-bit values to APB registers.

The UDP peripheral requires two clocks: one peripheral clock used by the Master Clock domain (MCK) and a 48 MHz clock (UDPCCK) used by the 12 MHz domain.

A USB 2.0 full-speed pad is embedded and controlled by the Serial Interface Engine (SIE).

The signal `external_resume` is optional. It allows the UDP peripheral to wake up once in system mode. The host is then notified that the device asks for a resume. This optional feature must be also negotiated with the host during the enumeration.



### 35.3 Product Dependencies

For further details on the USB Device hardware implementation, see the specific Product Properties document.

The USB physical transceiver is integrated into the product. The bidirectional differential signals DP and DM are available from the product boundary.

Two I/O lines may be used by the application:

- One to check that VBUS is still available from the host. Self-powered devices may use this entry to be notified that the host has been powered off. In this case, the board pullup on DP must be disabled in order to prevent feeding current to the host.
- One to control the board pullup on DP. Thus, when the device is ready to communicate with the host, it activates its DP pullup through this control line.

#### 35.3.1 I/O Lines

DP and DM are not controlled by any PIO controllers. The embedded USB physical transceiver is controlled by the USB device peripheral.

To reserve an I/O line to check VBUS, the programmer must first program the PIO controller to assign this I/O in input PIO mode.

To reserve an I/O line to control the board pullup, the programmer must first program the PIO controller to assign this I/O in output PIO mode.

#### 35.3.2 Power Management

The USB device peripheral requires a 48 MHz clock. This clock must be generated by a PLL with an accuracy of  $\pm 0.25\%$ .

Thus, the USB device receives two clocks from the Power Management Controller (PMC): the master clock, MCK, used to drive the peripheral user interface, and the UDPCK, used to interface with the bus USB signals (recovered 12 MHz domain).

**WARNING:** The UDP peripheral clock in the Power Management Controller (PMC) must be enabled before any read/write operations to the UDP registers including the UDP\_TXCV register.

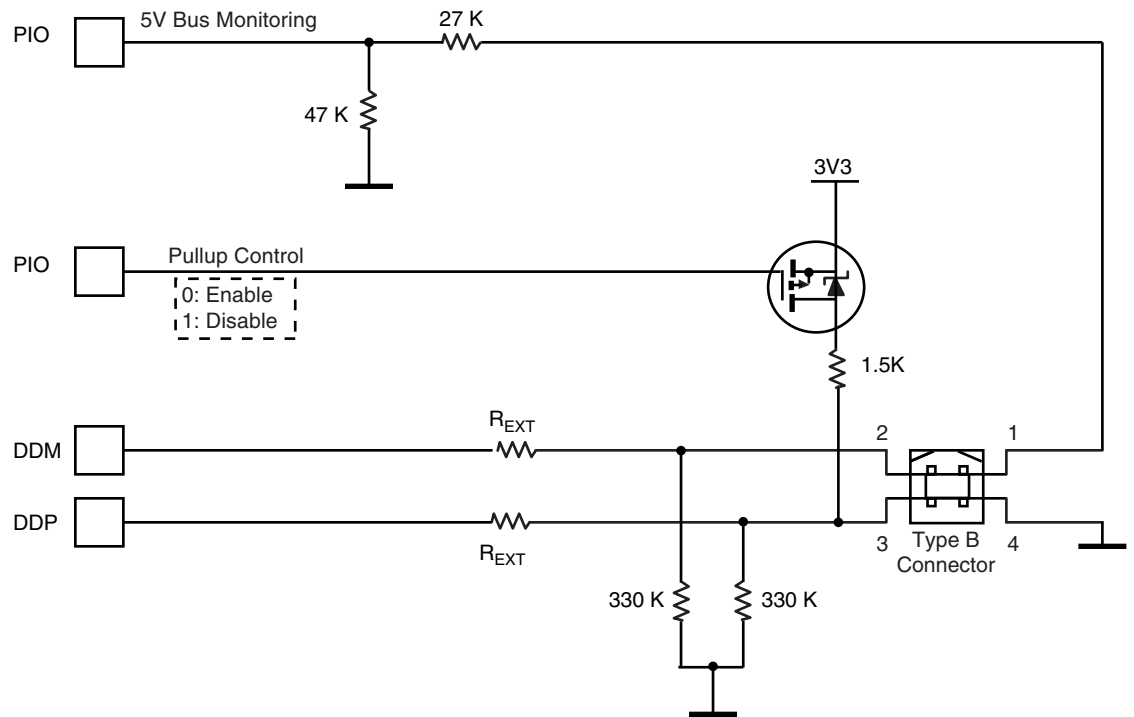
#### 35.3.3 Interrupt

The USB device interface has an interrupt line connected to the Advanced Interrupt Controller (AIC).

Handling the USB device interrupt requires programming the AIC before configuring the UDP.

## 35.4 Typical Connection

**Figure 35-2.** Board Schematic to Interface USB Device Peripheral



### 35.4.1 USB Device Transceiver

The USB device transceiver is embedded in the product. A few discrete components are required as follows:

- the application detects all device states as defined in chapter 9 of the USB specification;
  - pullup enable/disable
  - VBUS monitoring
- to reduce power consumption the host is disconnected
- for line termination.

Pullup enable/disable is done through a MOSFET controlled by a PIO. The pullup is enabled when the PIO drives a 0. Thus PIO default state to 1 corresponds to a pullup disable. Once the pullup is enabled, the host will force a device reset 100 ms later. Bus powered devices must connect the pullup within 100 ms.

### 35.4.2 VBUS Monitoring

VBUS monitoring is required to detect host connection. VBUS monitoring is done using a standard PIO with internal pullup disabled. When the host is switched off, it should be considered as a disconnect, the pullup must be disabled in order to prevent powering the host through the pull-up resistor.

When the host is disconnected and the transceiver is enabled, then DDP and DDM are floating. This may lead to over consumption. A solution is to connect 330 K $\Omega$  pulldowns on DP and DM. These pulldowns do not alter DDP and DDM signal integrity.



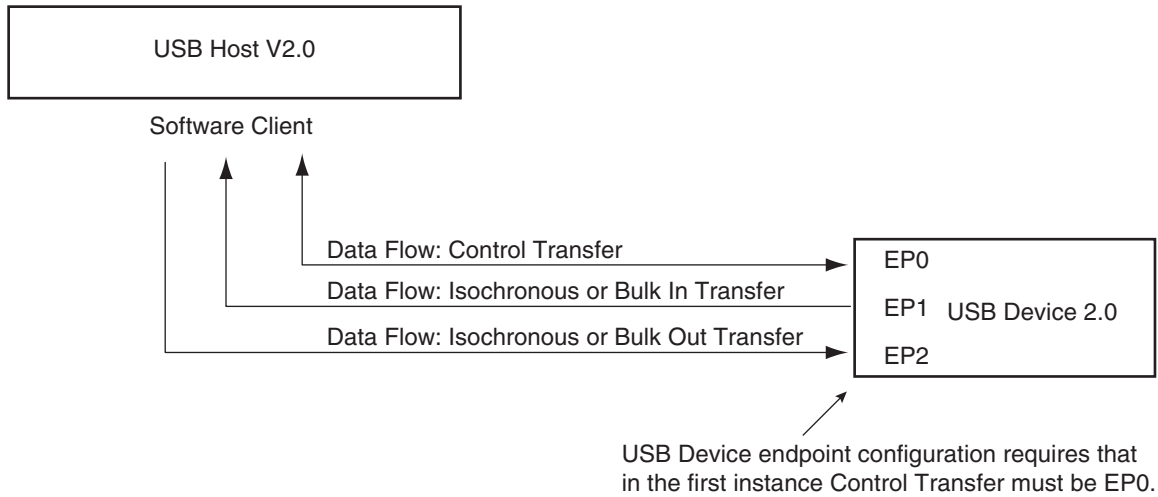
A termination serial resistor must be connected to DP and DM. The resistor value is defined in the electrical specification of the product ( $R_{EXT}$ ).

## 35.5 Functional Description

### 35.5.1 USB V2.0 Full-speed Introduction

The USB V2.0 full-speed provides communication services between host and attached USB devices. Each device is offered with a collection of communication flows (pipes) associated with each endpoint. Software on the host communicates with a USB device through a set of communication flows.

**Figure 35-3.** Example of USB V2.0 Full-speed Communication Control



The Control Transfer endpoint EP0 is always used when a USB device is first configured (USB v. 2.0 specifications).

#### 35.5.1.1 USB V2.0 Full-speed Transfer Types

A communication flow is carried over one of four transfer types defined by the USB device.

**Table 35-2.** USB Communication Flow

| Transfer    | Direction      | Bandwidth      | Supported Endpoint Size | Error Detection | Retrying  |
|-------------|----------------|----------------|-------------------------|-----------------|-----------|
| Control     | Bidirectional  | Not guaranteed | 8, 16, 32, 64           | Yes             | Automatic |
| Isochronous | Unidirectional | Guaranteed     | 64                      | Yes             | No        |
| Interrupt   | Unidirectional | Not guaranteed | ≤64                     | Yes             | Yes       |
| Bulk        | Unidirectional | Not guaranteed | 8, 16, 32, 64           | Yes             | Yes       |

#### 35.5.1.2 USB Bus Transactions

Each transfer results in one or more transactions over the USB bus. There are three kinds of transactions flowing across the bus in packets:

1. Setup Transaction
2. Data IN Transaction
3. Data OUT Transaction

### 35.5.1.3 USB Transfer Event Definitions

As indicated below, transfers are sequential events carried out on the USB bus.

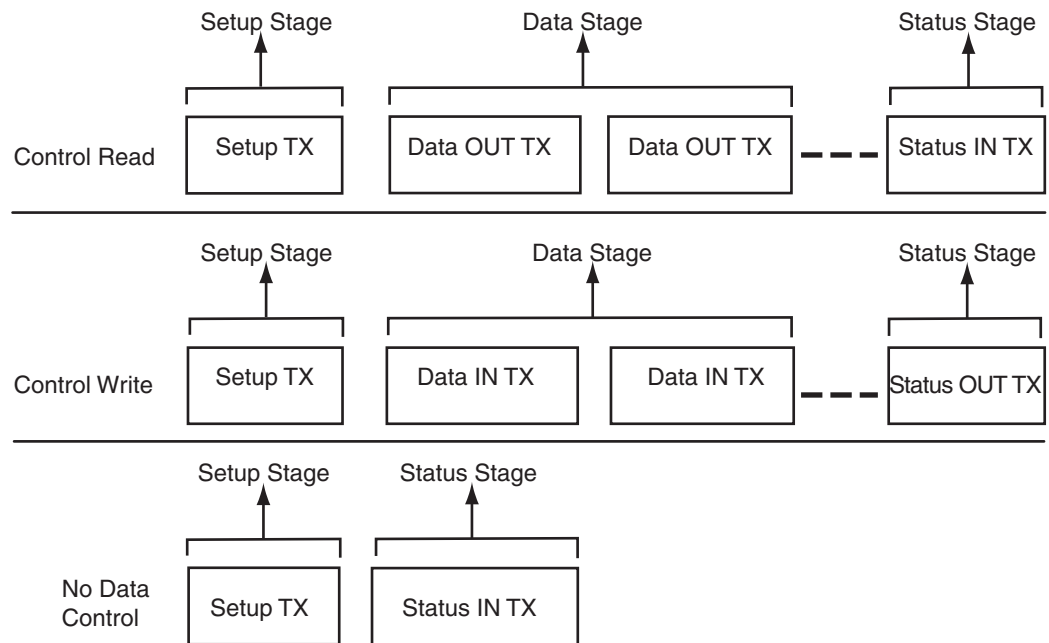
**Table 35-3.** USB Transfer Events

|   |  |
|---|--|
| Control Transfers <sup>(1) (3)</sup>                            | <ul style="list-style-type: none"> <li>• Setup transaction &gt; Data IN transactions &gt; Status OUT transaction</li> <li>• Setup transaction &gt; Data OUT transactions &gt; Status IN transaction</li> <li>• Setup transaction &gt; Status IN transaction</li> </ul> |
| Interrupt IN Transfer<br>(device toward host)                   | <ul style="list-style-type: none"> <li>• Data IN transaction &gt; Data IN transaction</li> </ul>   |
| Interrupt OUT Transfer<br>(host toward device)                  | <ul style="list-style-type: none"> <li>• Data OUT transaction &gt; Data OUT transaction</li> </ul>   |
| Isochronous IN Transfer <sup>(2)</sup><br>(device toward host)  | <ul style="list-style-type: none"> <li>• Data IN transaction &gt; Data IN transaction</li> </ul>   |
| Isochronous OUT Transfer <sup>(2)</sup><br>(host toward device) | <ul style="list-style-type: none"> <li>• Data OUT transaction &gt; Data OUT transaction</li> </ul>   |
| Bulk IN Transfer<br>(device toward host)                        | <ul style="list-style-type: none"> <li>• Data IN transaction &gt; Data IN transaction</li> </ul>   |
| Bulk OUT Transfer<br>(host toward device)                       | <ul style="list-style-type: none"> <li>• Data OUT transaction &gt; Data OUT transaction</li> </ul>   |

- Notes:
1. Control transfer must use endpoints with no ping-pong attributes.
  2. Isochronous transfers must use endpoints with ping-pong attributes.
  3. Control transfers can be aborted using a stall handshake.

A status transaction is a special type of host-to-device transaction used only in a control transfer. The control transfer must be performed using endpoints with no ping-pong attributes. According to the control sequence (read or write), the USB device sends or receives a status transaction.

**Figure 35-4.** Control Read and Write Sequences



- Notes:
1. During the Status IN stage, the host waits for a zero length packet (Data IN transaction with no data) from the device using DATA1 PID. Refer to Chapter 8 of the *Universal Serial Bus Specification, Rev. 2.0*, for more information on the protocol layer.
  2. During the Status OUT stage, the host emits a zero length packet to the device (Data OUT transaction with no data).

## 35.5.2 Handling Transactions with USB V2.0 Device Peripheral

### 35.5.2.1 Setup Transaction

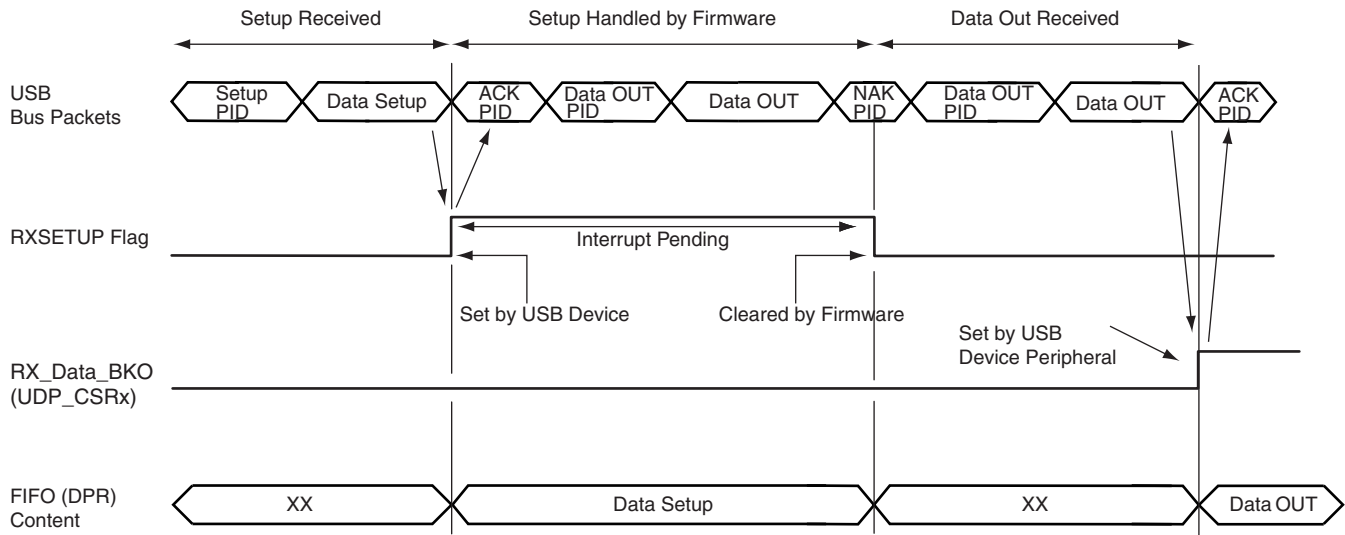
Setup is a special type of host-to-device transaction used during control transfers. Control transfers must be performed using endpoints with no ping-pong attributes. A setup transaction needs to be handled as soon as possible by the firmware. It is used to transmit requests from the host to the device. These requests are then handled by the USB device and may require more arguments. The arguments are sent to the device by a Data OUT transaction which follows the setup transaction. These requests may also return data. The data is carried out to the host by the next Data IN transaction which follows the setup transaction. A status transaction ends the control transfer.

When a setup transfer is received by the USB endpoint:

- The USB device automatically acknowledges the setup packet
- RXSETUP is set in the UDP\_CSRx register
- An endpoint interrupt is generated while the RXSETUP is not cleared. This interrupt is carried out to the microcontroller if interrupts are enabled for this endpoint.

Thus, firmware must detect the RXSETUP polling the UDP\_CSRx or catching an interrupt, read the setup packet in the FIFO, then clear the RXSETUP. RXSETUP cannot be cleared before the setup packet has been read in the FIFO. Otherwise, the USB device would accept the next Data OUT transfer and overwrite the setup packet in the FIFO.

**Figure 35-5.** Setup Transaction Followed by a Data OUT Transaction



### 35.5.2.2 Data IN Transaction

Data IN transactions are used in control, isochronous, bulk and interrupt transfers and conduct the transfer of data from the device to the host. Data IN transactions in isochronous transfer must be done using endpoints with ping-pong attributes.

### 35.5.2.3 Using Endpoints Without Ping-pong Attributes

To perform a Data IN transaction using a non ping-pong endpoint:

1. The application checks if it is possible to write in the FIFO by polling TXPKTRDY in the endpoint's UDP\_CSRx register (TXPKTRDY must be cleared).
2. The application writes the first packet of data to be sent in the endpoint's FIFO, writing zero or more byte values in the endpoint's UDP\_FDRx register,
3. The application notifies the USB peripheral it has finished by setting the TXPKTRDY in the endpoint's UDP\_CSRx register.
4. The application is notified that the endpoint's FIFO has been released by the USB device when TXCOMP in the endpoint's UDP\_CSRx register has been set. Then an interrupt for the corresponding endpoint is pending while TXCOMP is set.
5. The microcontroller writes the second packet of data to be sent in the endpoint's FIFO, writing zero or more byte values in the endpoint's UDP\_FDRx register,
6. The microcontroller notifies the USB peripheral it has finished by setting the TXPKTRDY in the endpoint's UDP\_CSRx register.
7. The application clears the TXCOMP in the endpoint's UDP\_CSRx.

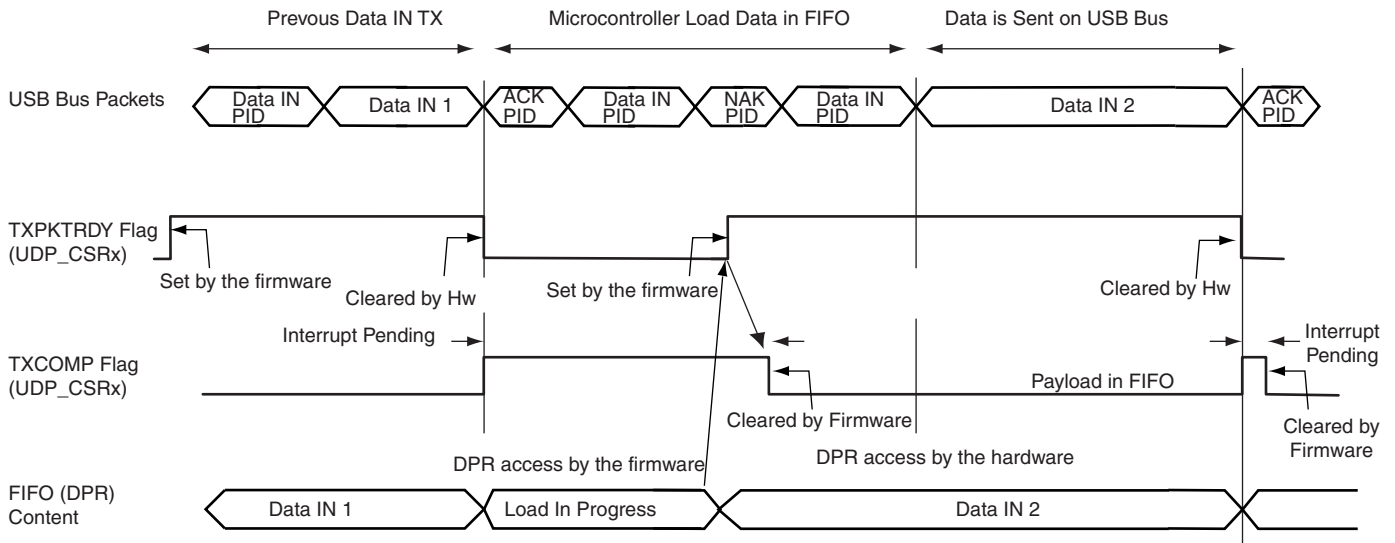
After the last packet has been sent, the application must clear TXCOMP once this has been set.

TXCOMP is set by the USB device when it has received an ACK PID signal for the Data IN packet. An interrupt is pending while TXCOMP is set.

**Warning:** TX\_COMP must be cleared after TX\_PKTRDY has been set.

Note: Refer to Chapter 8 of the *Universal Serial Bus Specification, Rev 2.0*, for more information on the Data IN protocol layer.

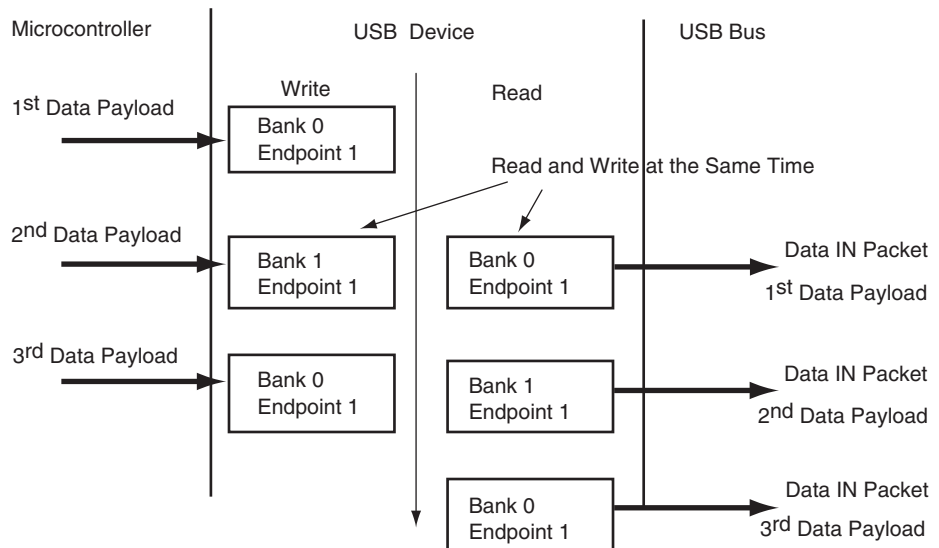
**Figure 35-6.** Data IN Transfer for Non Ping-pong Endpoint



**35.5.2.4 Using Endpoints With Ping-pong Attribute**

The use of an endpoint with ping-pong attributes is necessary during isochronous transfer. This also allows handling the maximum bandwidth defined in the USB specification during bulk transfer. To be able to guarantee a constant or the maximum bandwidth, the microcontroller must prepare the next data payload to be sent while the current one is being sent by the USB device. Thus two banks of memory are used. While one is available for the microcontroller, the other one is locked by the USB device.

**Figure 35-7.** Bank Swapping Data IN Transfer for Ping-pong Endpoints

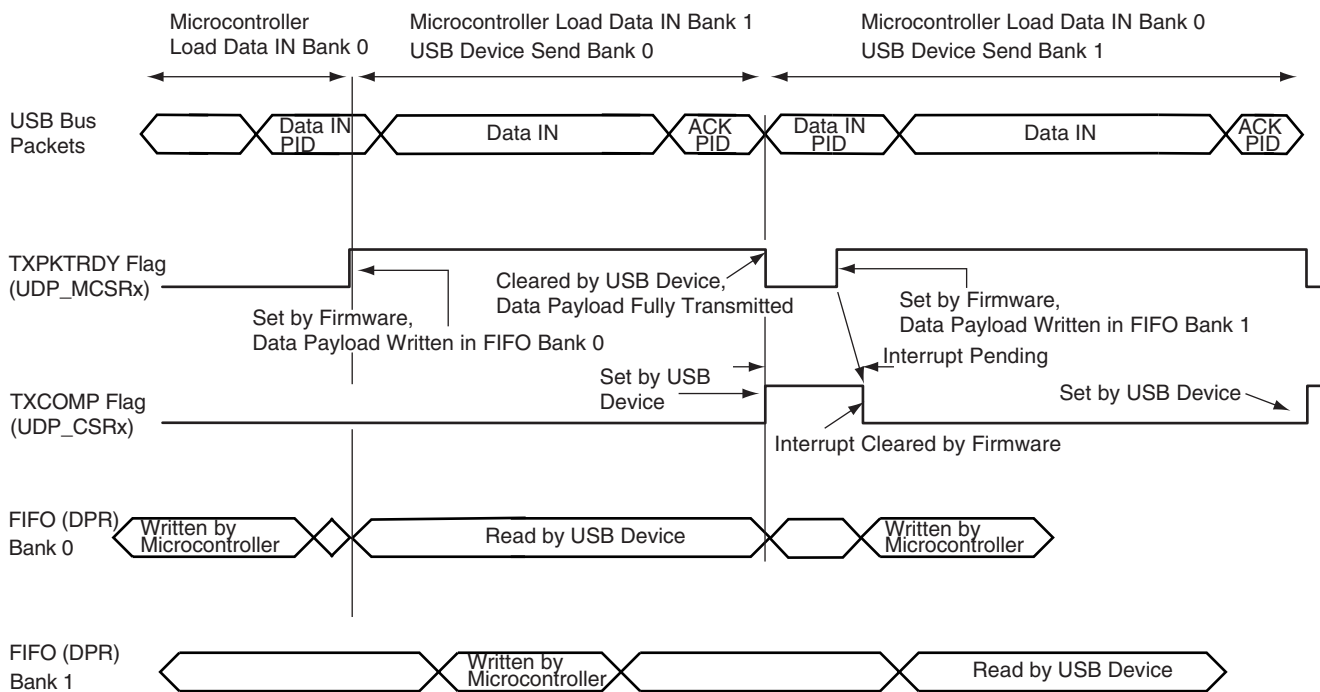


When using a ping-pong endpoint, the following procedures are required to perform Data IN transactions:



1. The microcontroller checks if it is possible to write in the FIFO by polling TXPKTRDY to be cleared in the endpoint's UDP\_CSRx register.
2. The microcontroller writes the first data payload to be sent in the FIFO (Bank 0), writing zero or more byte values in the endpoint's UDP\_FDRx register.
3. The microcontroller notifies the USB peripheral it has finished writing in Bank 0 of the FIFO by setting the TXPKTRDY in the endpoint's UDP\_CSRx register.
4. Without waiting for TXPKTRDY to be cleared, the microcontroller writes the second data payload to be sent in the FIFO (Bank 1), writing zero or more byte values in the endpoint's UDP\_FDRx register.
5. The microcontroller is notified that the first Bank has been released by the USB device when TXCOMP in the endpoint's UDP\_CSRx register is set. An interrupt is pending while TXCOMP is being set.
6. Once the microcontroller has received TXCOMP for the first Bank, it notifies the USB device that it has prepared the second Bank to be sent, raising TXPKTRDY in the endpoint's UDP\_CSRx register.
7. At this step, Bank 0 is available and the microcontroller can prepare a third data payload to be sent.

**Figure 35-8.** Data IN Transfer for Ping-pong Endpoint



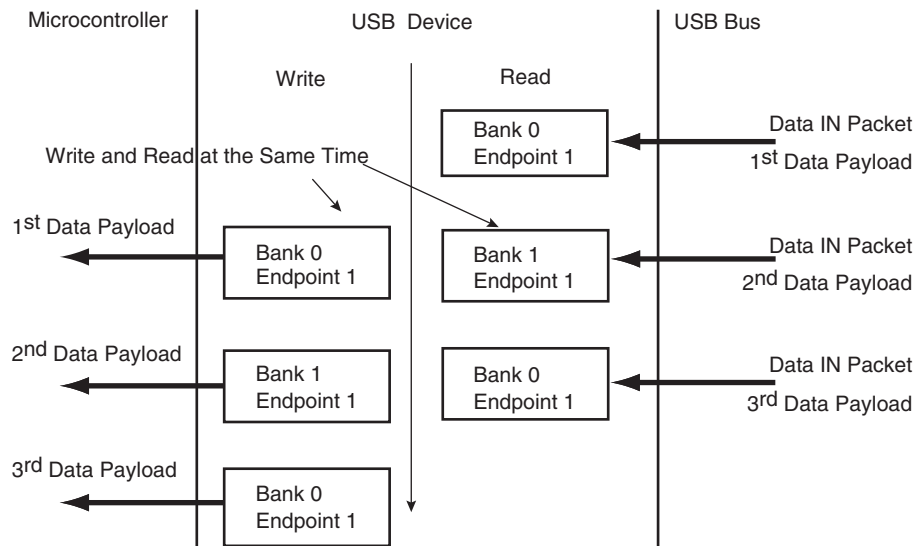
**Warning:** There is software critical path due to the fact that once the second bank is filled, the driver has to wait for TX\_COMP to set TX\_PKTRDY. If the delay between receiving TX\_COMP is set and TX\_PKTRDY is set too long, some Data IN packets may be NACKed, reducing the bandwidth.

**Warning:** TX\_COMP must be cleared after TX\_PKTRDY has been set.



load sent by the host, while the current data payload is received by the USB device. Thus two banks of memory are used. While one is available for the microcontroller, the other one is locked by the USB device.

**Figure 35-10.** Bank Swapping in Data OUT Transfers for Ping-pong Endpoints

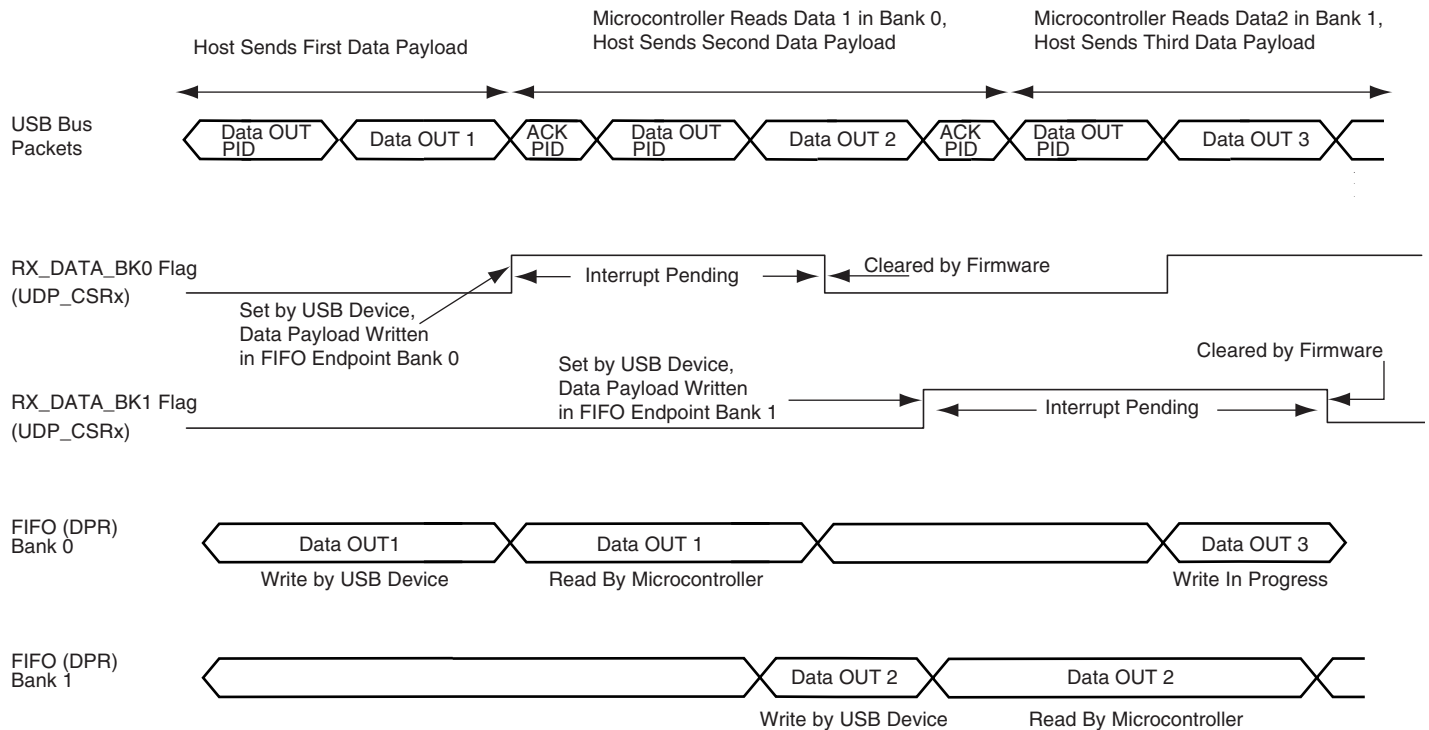


When using a ping-pong endpoint, the following procedures are required to perform Data OUT transactions:

1. The host generates a Data OUT packet.
2. This packet is received by the USB device endpoint. It is written in the endpoint's FIFO Bank 0.
3. The USB device sends an ACK PID packet to the host. The host can immediately send a second Data OUT packet. It is accepted by the device and copied to FIFO Bank 1.
4. The microcontroller is notified that the USB device has received a data payload, polling `RX_DATA_BK0` in the endpoint's `UDP_CSRx` register. An interrupt is pending for this endpoint while `RX_DATA_BK0` is set.
5. The number of bytes available in the FIFO is made available by reading `RXBYTECNT` in the endpoint's `UDP_CSRx` register.
6. The microcontroller transfers out data received from the endpoint's memory to the microcontroller's memory. Data received is made available by reading the endpoint's `UDP_FDRx` register.
7. The microcontroller notifies the USB peripheral device that it has finished the transfer by clearing `RX_DATA_BK0` in the endpoint's `UDP_CSRx` register.
8. A third Data OUT packet can be accepted by the USB peripheral device and copied in the FIFO Bank 0.
9. If a second Data OUT packet has been received, the microcontroller is notified by the flag `RX_DATA_BK1` set in the endpoint's `UDP_CSRx` register. An interrupt is pending for this endpoint while `RX_DATA_BK1` is set.
10. The microcontroller transfers out data received from the endpoint's memory to the microcontroller's memory. Data received is available by reading the endpoint's `UDP_FDRx` register.

11. The microcontroller notifies the USB device it has finished the transfer by clearing RX\_DATA\_BK1 in the endpoint's UDP\_CSRx register.
12. A fourth Data OUT packet can be accepted by the USB device and copied in the FIFO Bank 0.

**Figure 35-11. Data OUT Transfer for Ping-pong Endpoint**



Note: An interrupt is pending while the RX\_DATA\_BK0 or RX\_DATA\_BK1 flag is set.

**Warning:** When RX\_DATA\_BK0 and RX\_DATA\_BK1 are both set, there is no way to determine which one to clear first. Thus the software must keep an internal counter to be sure to clear alternatively RX\_DATA\_BK0 then RX\_DATA\_BK1. This situation may occur when the software application is busy elsewhere and the two banks are filled by the USB host. Once the application comes back to the USB driver, the two flags are set.

### 35.5.2.8 Stall Handshake

A stall handshake can be used in one of two distinct occasions. (For more information on the stall handshake, refer to Chapter 8 of the *Universal Serial Bus Specification, Rev 2.0*.)

- A functional stall is used when the halt feature associated with the endpoint is set. (Refer to Chapter 9 of the *Universal Serial Bus Specification, Rev 2.0*, for more information on the halt feature.)
- To abort the current request, a protocol stall is used, but uniquely with control transfer.

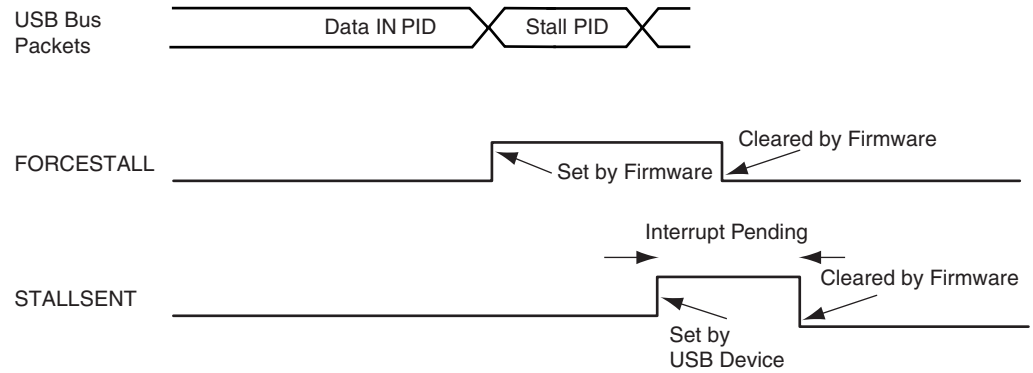
The following procedure generates a stall packet:

1. The microcontroller sets the FORCESTALL flag in the UDP\_CSRx endpoint's register.
2. The host receives the stall packet.

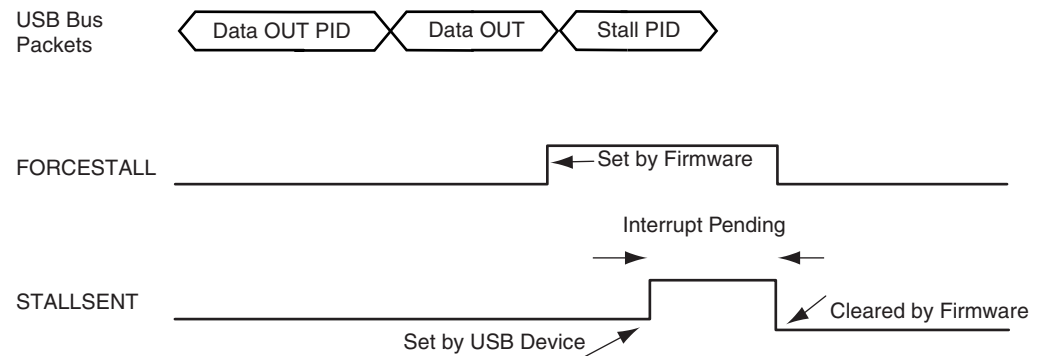
3. The microcontroller is notified that the device has sent the stall by polling the STALLSENT to be set. An endpoint interrupt is pending while STALLSENT is set. The microcontroller must clear STALLSENT to clear the interrupt.

When a setup transaction is received after a stall handshake, STALLSENT must be cleared in order to prevent interrupts due to STALLSENT being set.

**Figure 35-12.** Stall Handshake (Data IN Transfer)



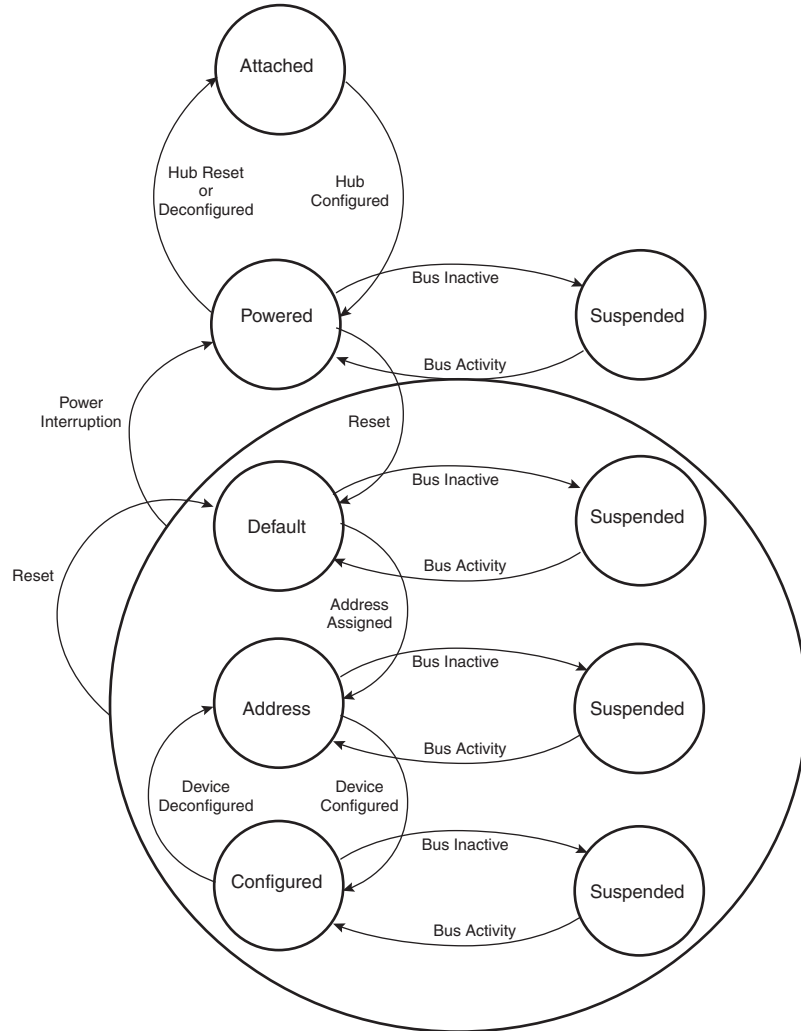
**Figure 35-13.** Stall Handshake (Data OUT Transfer)



### 35.5.3 Controlling Device States

A USB device has several possible states. Refer to Chapter 9 of the *Universal Serial Bus Specification, Rev 2.0*.

**Figure 35-14.** USB Device State Diagram



Movement from one state to another depends on the USB bus state or on standard requests sent through control transactions via the default endpoint (endpoint 0).

After a period of bus inactivity, the USB device enters Suspend Mode. Accepting Suspend/Resume requests from the USB host is mandatory. Constraints in Suspend Mode are very strict for bus-powered applications; devices may not consume more than 500  $\mu$ A on the USB bus.

While in Suspend Mode, the host may wake up a device by sending a resume signal (bus activity) or a USB device may send a wake up request to the host, e.g., waking up a PC by moving a USB mouse.

The wake up feature is not mandatory for all devices and must be negotiated with the host.

### 35.5.3.1 *Not Powered State*

Self powered devices can detect 5V VBUS using a PIO as described in the typical connection section. When the device is not connected to a host, device power consumption can be reduced by disabling MCK for the UDP, disabling UDPCCK and disabling the transceiver. DDP and DDM lines are pulled down by 330 K $\Omega$  resistors.

### 35.5.3.2 *Entering Attached State*

When no device is connected, the USB DP and DM signals are tied to GND by 15 K $\Omega$  pull-down resistors integrated in the hub downstream ports. When a device is attached to a hub downstream port, the device connects a 1.5 K $\Omega$  pull-up resistor on DP. The USB bus line goes into IDLE state, DP is pulled up by the device 1.5 K $\Omega$  resistor to 3.3V and DM is pulled down by the 15 K $\Omega$  resistor of the host.

**Warning:** To write to the UDP\_TXVC register, MCK clock must be enabled on the UDP. This is done in the Power Management Controller.

After pullup connection, the device enters the powered state. In this state, the UDPCCK and MCK must be enabled in the Power Management Controller. The transceiver can remain disabled.

### 35.5.3.3 *From Powered State to Default State*

After its connection to a USB host, the USB device waits for an end-of-bus reset. The unmaskable flag ENDBUSRES is set in the register UDP\_ISR and an interrupt is triggered.

Once the ENDBUSRES interrupt has been triggered, the device enters Default State. In this state, the UDP software must:

- Enable the default endpoint, setting the EPEDS flag in the UDP\_CSR[0] register and, optionally, enabling the interrupt for endpoint 0 by writing 1 to the UDP\_IER register. The enumeration then begins by a control transfer.
- Configure the interrupt mask register which has been reset by the USB reset detection
- Enable the transceiver clearing the TXVDIS flag in the UDP\_TXVC register.

In this state UDPCCK and MCK must be enabled.

**Warning:** Each time an ENDBUSRES interrupt is triggered, the Interrupt Mask Register and UDP\_CSR registers have been reset.

### 35.5.3.4 *From Default State to Address State*

After a set address standard device request, the USB host peripheral enters the address state.

**Warning:** Before the device enters in address state, it must achieve the Status IN transaction of the control transfer, i.e., the UDP device sets its new address once the TXCOMP flag in the UDP\_CSR[0] register has been received and cleared.

To move to address state, the driver software sets the FADDEN flag in the UDP\_GLB\_STAT register, sets its new address, and sets the FEN bit in the UDP\_FADDR register.

### 35.5.3.5 *From Address State to Configured State*

Once a valid Set Configuration standard request has been received and acknowledged, the device enables endpoints corresponding to the current configuration. This is done by setting the EPEDS and EPTYPE fields in the UDP\_CSRx registers and, optionally, enabling corresponding interrupts in the UDP\_IER register.

### 35.5.3.6 *Entering in Suspend State*

When a Suspend (no bus activity on the USB bus) is detected, the RXSUSP signal in the UDP\_ISR register is set. This triggers an interrupt if the corresponding bit is set in the UDP\_IMR register. This flag is cleared by writing to the UDP\_ICR register. Then the device enters Suspend Mode.

In this state bus powered devices must drain less than 500uA from the 5V VBUS. As an example, the microcontroller switches to slow clock, disables the PLL and main oscillator, and goes into Idle Mode. It may also switch off other devices on the board.

The USB device peripheral clocks can be switched off. Resume event is asynchronously detected. MCK and UDPCK can be switched off in the Power Management controller and the USB transceiver can be disabled by setting the TXVDIS field in the UDP\_TXVC register.

**Warning:** Read, write operations to the UDP registers are allowed only if MCK is enabled for the UDP peripheral. Switching off MCK for the UDP peripheral must be one of the last operations after writing to the and acknowledging the RXSUSP.

### 35.5.3.7 *Receiving a Host Resume*

In suspend mode, a resume event on the USB bus line is detected asynchronously, transceiver and clocks are disabled (however the pullup shall not be removed).

Once the resume is detected on the bus, the WAKEUP signal in the UDP\_ISR is set. It may generate an interrupt if the corresponding bit in the UDP\_IMR register is set. This interrupt may be used to wake up the core, enable PLL and main oscillators and configure clocks.

**Warning:** Read, write operations to the UDP registers are allowed only if MCK is enabled for the UDP peripheral. MCK for the UDP must be enabled before clearing the WAKEUP bit in the UDP\_ICR register and clearing TXVDIS in the UDP\_TXVC register.

### 35.5.3.8 *Sending a Device Remote Wakeup*

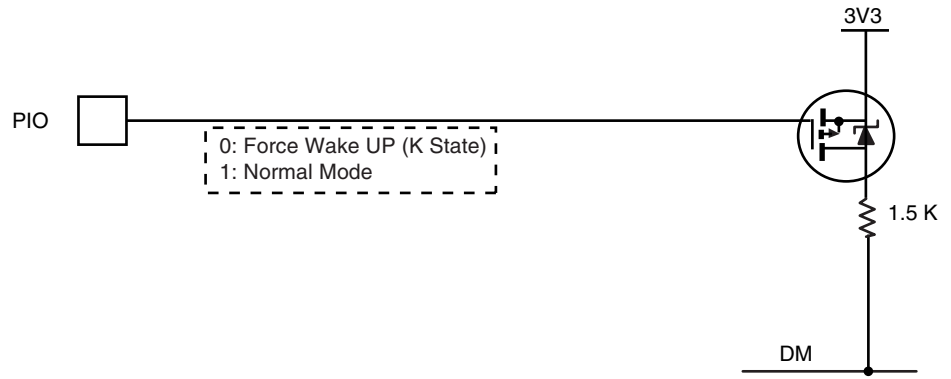
In Suspend state it is possible to wake up the host sending an external resume.

- The device must wait at least 5 ms after being entered in suspend before sending an external resume.
- The device has 10 ms from the moment it starts to drain current and it forces a K state to resume the host.
- The device must force a K state from 1 to 15 ms to resume the host

To force a K state to the bus (DM at 3.3V and DP tied to GND), it is possible to use a transistor to connect a pullup on DM. The K state is obtained by disabling the pullup on DP and enabling the pullup on DM. This should be under the control of the application.



**Figure 35-15.** Board Schematic to Drive a K State



### 35.6 USB Device Port (UDP) User Interface

**WARNING:** The UDP peripheral clock in the Power Management Controller (PMC) must be enabled before any read/write operations to the UDP registers including the UDP\_TXCV register.

**Table 35-4.** Register Mapping

| Offset                        | Register                             | Name                    | Access     | Reset       |
|-------------------------------|--------------------------------------|-------------------------|------------|-------------|
| 0x000                         | Frame Number Register                | UDP_FRM_NUM             | Read-only  | 0x0000_0000 |
| 0x004                         | Global State Register                | UDP_GLB_STAT            | Read-write | 0x0000_0000 |
| 0x008                         | Function Address Register            | UDP_FADDR               | Read-write | 0x0000_0100 |
| 0x00C                         | Reserved                             | –                       | –          | –           |
| 0x010                         | Interrupt Enable Register            | UDP_IER                 | Write-only |             |
| 0x014                         | Interrupt Disable Register           | UDP_IDR                 | Write-only |             |
| 0x018                         | Interrupt Mask Register              | UDP_IMR                 | Read-only  | 0x0000_1200 |
| 0x01C                         | Interrupt Status Register            | UDP_ISR                 | Read-only  | _(1)        |
| 0x020                         | Interrupt Clear Register             | UDP_ICR                 | Write-only |             |
| 0x024                         | Reserved                             | –                       | –          | –           |
| 0x028                         | Reset Endpoint Register              | UDP_RST_EP              | Read-write |             |
| 0x02C                         | Reserved                             | –                       | –          | –           |
| 0x030 + 0x4 * ( ept_num - 1 ) | Endpoint Control and Status Register | UDP_CSR                 | Read-write | 0x0000_0000 |
| 0x050 + 0x4 * ( ept_num - 1 ) | Endpoint FIFO Data Register          | UDP_FDR                 | Read-write | 0x0000_0000 |
| 0x070                         | Reserved                             | –                       | –          | –           |
| 0x074                         | Transceiver Control Register         | UDP_TXVC <sup>(2)</sup> | Read-write | 0x0000_0000 |
| 0x078 - 0xFC                  | Reserved                             | –                       | –          | –           |

- Notes:
1. Reset values are not defined for UDP\_ISR.
  2. See Warning above the ["Register Mapping"](#) on this page.

### 35.6.1 UDP Frame Number Register

**Register Name:** UDP\_FRM\_NUM

**Access Type:** Read-only

|         |     |     |     |     |         |        |         |
|---------|-----|-----|-----|-----|---------|--------|---------|
| 31      | 30  | 29  | 28  | 27  | 26      | 25     | 24      |
| ---     | --- | --- | --- | --- | ---     | ---    | ---     |
| 23      | 22  | 21  | 20  | 19  | 18      | 17     | 16      |
| -       | -   | -   | -   | -   | -       | FRM_OK | FRM_ERR |
| 15      | 14  | 13  | 12  | 11  | 10      | 9      | 8       |
| -       | -   | -   | -   | -   | FRM_NUM |        |         |
| 7       | 6   | 5   | 4   | 3   | 2       | 1      | 0       |
| FRM_NUM |     |     |     |     |         |        |         |

- **FRM\_NUM[10:0]: Frame Number as Defined in the Packet Field Formats**

This 11-bit value is incremented by the host on a per frame basis. This value is updated at each start of frame.

Value Updated at the SOF\_EOP (Start of Frame End of Packet).

- **FRM\_ERR: Frame Error**

This bit is set at SOF\_EOP when the SOF packet is received containing an error.

This bit is reset upon receipt of SOF\_PID.

- **FRM\_OK: Frame OK**

This bit is set at SOF\_EOP when the SOF packet is received without any error.

This bit is reset upon receipt of SOF\_PID (Packet Identification).

In the Interrupt Status Register, the SOF interrupt is updated upon receiving SOF\_PID. This bit is set without waiting for EOP.

Note: In the 8-bit Register Interface, FRM\_OK is bit 4 of FRM\_NUM\_H and FRM\_ERR is bit 3 of FRM\_NUM\_L.



### 35.6.2 UDP Global State Register

**Register Name:** UDP\_GLB\_STAT

**Access Type:** Read-write

|    |    |    |    |    |    |        |        |
|----|----|----|----|----|----|--------|--------|
| 31 | 30 | 29 | 28 | 27 | 26 | 25     | 24     |
| –  | –  | –  | –  | –  | –  | –      | –      |
| 23 | 22 | 21 | 20 | 19 | 18 | 17     | 16     |
| –  | –  | –  | –  | –  | –  | –      | –      |
| 15 | 14 | 13 | 12 | 11 | 10 | 9      | 8      |
| –  | –  | –  | –  | –  | –  | –      | –      |
| 7  | 6  | 5  | 4  | 3  | 2  | 1      | 0      |
| –  | –  | –  | –  | –  | –  | CONFIG | FADDEN |

This register is used to get and set the device state as specified in Chapter 9 of the *USB Serial Bus Specification, Rev.2.0*.

• **FADDEN: Function Address Enable**

Read:

0 = Device is not in address state.

1 = Device is in address state.

Write:

0 = No effect, only a reset can bring back a device to the default state.

1 = Sets device in address state. This occurs after a successful Set Address request. Beforehand, the UDP\_FADDR register must have been initialized with Set Address parameters. Set Address must complete the Status Stage before setting FADDEN. Refer to chapter 9 of the *Universal Serial Bus Specification, Rev. 2.0* for more details.

• **CONFIG: Configured**

Read:

0 = Device is not in configured state.

1 = Device is in configured state.

Write:

0 = Sets device in a non configured state

1 = Sets device in configured state.

The device is set in configured state when it is in address state and receives a successful Set Configuration request. Refer to Chapter 9 of the *Universal Serial Bus Specification, Rev. 2.0* for more details.

### 35.6.3 UDP Function Address Register

**Register Name:** UDP\_FADDR

**Access Type:** Read-write

|    |      |    |    |    |    |    |     |
|----|------|----|----|----|----|----|-----|
| 31 | 30   | 29 | 28 | 27 | 26 | 25 | 24  |
| –  | –    | –  | –  | –  | –  | –  | –   |
| 23 | 22   | 21 | 20 | 19 | 18 | 17 | 16  |
| –  | –    | –  | –  | –  | –  | –  | –   |
| 15 | 14   | 13 | 12 | 11 | 10 | 9  | 8   |
| –  | –    | –  | –  | –  | –  | –  | FEN |
| 7  | 6    | 5  | 4  | 3  | 2  | 1  | 0   |
| –  | FADD |    |    |    |    |    |     |

- **FADD[6:0]: Function Address Value**

The Function Address Value must be programmed by firmware once the device receives a set address request from the host, and has achieved the status stage of the no-data control sequence. Refer to the *Universal Serial Bus Specification, Rev. 2.0* for more information. After power up or reset, the function address value is set to 0.

- **FEN: Function Enable**

Read:

0 = Function endpoint disabled.

1 = Function endpoint enabled.

Write:

0 = Disables function endpoint.

1 = Default value.

The Function Enable bit (FEN) allows the microcontroller to enable or disable the function endpoints. The microcontroller sets this bit after receipt of a reset from the host. Once this bit is set, the USB device is able to accept and transfer data packets from and to the host.

### 35.6.4 UDP Interrupt Enable Register

**Register Name:** UDP\_IER

**Access Type:** Write-only

|    |    |        |    |        |        |        |        |
|----|----|--------|----|--------|--------|--------|--------|
| 31 | 30 | 29     | 28 | 27     | 26     | 25     | 24     |
| –  | –  | –      | –  | –      | –      | –      | –      |
| 23 | 22 | 21     | 20 | 19     | 18     | 17     | 16     |
| –  | –  | –      | –  | –      | –      | –      | –      |
| 15 | 14 | 13     | 12 | 11     | 10     | 9      | 8      |
| –  | –  | WAKEUP | –  | SOFINT | –      | RXRSM  | RXSUSP |
| 7  | 6  | 5      | 4  | 3      | 2      | 1      | 0      |
|    |    |        |    | EP3INT | EP2INT | EP1INT | EPOINT |

- **EP0INT: Enable Endpoint 0 Interrupt**
- **EP1INT: Enable Endpoint 1 Interrupt**
- **EP2INT: Enable Endpoint 2 Interrupt**
- **EP3INT: Enable Endpoint 3 Interrupt**  
 0 = No effect.  
 1 = Enables corresponding Endpoint Interrupt.
- **RXSUSP: Enable UDP Suspend Interrupt**  
 0 = No effect.  
 1 = Enables UDP Suspend Interrupt.
- **RXRSM: Enable UDP Resume Interrupt**  
 0 = No effect.  
 1 = Enables UDP Resume Interrupt.
- **SOFINT: Enable Start Of Frame Interrupt**  
 0 = No effect.  
 1 = Enables Start Of Frame Interrupt.
- **WAKEUP: Enable UDP bus Wakeup Interrupt**  
 0 = No effect.  
 1 = Enables USB bus Interrupt.

### 35.6.5 UDP Interrupt Disable Register

**Register Name:** UDP\_IDR

**Access Type:** Write-only

|    |    |        |    |        |        |        |        |
|----|----|--------|----|--------|--------|--------|--------|
| 31 | 30 | 29     | 28 | 27     | 26     | 25     | 24     |
| –  | –  | –      | –  | –      | –      | –      | –      |
| 23 | 22 | 21     | 20 | 19     | 18     | 17     | 16     |
| –  | –  | –      | –  | –      | –      | –      | –      |
| 15 | 14 | 13     | 12 | 11     | 10     | 9      | 8      |
| –  | –  | WAKEUP | –  | SOFINT | –      | RXRSM  | RXSUSP |
| 7  | 6  | 5      | 4  | 3      | 2      | 1      | 0      |
|    |    |        |    | EP3INT | EP2INT | EP1INT | EPOINT |

- **EP0INT: Disable Endpoint 0 Interrupt**

- **EP1INT: Disable Endpoint 1 Interrupt**

- **EP2INT: Disable Endpoint 2 Interrupt**

- **EP3INT: Disable Endpoint 3 Interrupt**

0 = No effect.

1 = Disables corresponding Endpoint Interrupt.

- **RXSUSP: Disable UDP Suspend Interrupt**

0 = No effect.

1 = Disables UDP Suspend Interrupt.

- **RXRSM: Disable UDP Resume Interrupt**

0 = No effect.

1 = Disables UDP Resume Interrupt.

- **SOFINT: Disable Start Of Frame Interrupt**

0 = No effect.

1 = Disables Start Of Frame Interrupt

- **WAKEUP: Disable USB Bus Interrupt**

0 = No effect.

1 = Disables USB Bus Wakeup Interrupt.



### 35.6.6 UDP Interrupt Mask Register

Register Name: UDP\_IMR

Access Type: Read-only

|    |    |        |       |        |        |        |        |
|----|----|--------|-------|--------|--------|--------|--------|
| 31 | 30 | 29     | 28    | 27     | 26     | 25     | 24     |
| –  | –  | –      | –     | –      | –      | –      | –      |
| 23 | 22 | 21     | 20    | 19     | 18     | 17     | 16     |
| –  | –  | –      | –     | –      | –      | –      | –      |
| 15 | 14 | 13     | 12    | 11     | 10     | 9      | 8      |
| –  | –  | WAKEUP | BIT12 | SOFINT | –      | RXRSM  | RXSUSP |
| 7  | 6  | 5      | 4     | 3      | 2      | 1      | 0      |
|    |    |        |       | EP3INT | EP2INT | EP1INT | EPOINT |

• **EP0INT: Mask Endpoint 0 Interrupt**

• **EP1INT: Mask Endpoint 1 Interrupt**

• **EP2INT: Mask Endpoint 2 Interrupt**

• **EP3INT: Mask Endpoint 3 Interrupt**

0 = Corresponding Endpoint Interrupt is disabled.

1 = Corresponding Endpoint Interrupt is enabled.

• **RXSUSP: Mask UDP Suspend Interrupt**

0 = UDP Suspend Interrupt is disabled.

1 = UDP Suspend Interrupt is enabled.

• **RXRSM: Mask UDP Resume Interrupt.**

0 = UDP Resume Interrupt is disabled.

1 = UDP Resume Interrupt is enabled.

• **SOFINT: Mask Start Of Frame Interrupt**

0 = Start of Frame Interrupt is disabled.

1 = Start of Frame Interrupt is enabled.

• **BIT12: UDP\_IMR Bit 12**

Bit 12 of UDP\_IMR cannot be masked and is always read at 1

• **WAKEUP: USB Bus WAKEUP Interrupt**

0 = USB Bus Wakeup Interrupt is disabled.

1 = USB Bus Wakeup Interrupt is enabled.

Note: When the USB block is in suspend mode, the application may power down the USB logic. In this case, any USB HOST resume request that is made must be taken into account and, thus, the reset value of the RXRSM bit of the register UDP\_IMR is enabled.



### 35.6.7 UDP Interrupt Status Register

**Register Name:** UDP\_ISR

**Access Type:** Read-only

|    |    |        |           |        |        |        |        |
|----|----|--------|-----------|--------|--------|--------|--------|
| 31 | 30 | 29     | 28        | 27     | 26     | 25     | 24     |
| –  | –  | –      | –         | –      | –      | –      | –      |
| 23 | 22 | 21     | 20        | 19     | 18     | 17     | 16     |
| –  | –  | –      | –         | –      | –      | –      | –      |
| 15 | 14 | 13     | 12        | 11     | 10     | 9      | 8      |
| –  | –  | WAKEUP | ENDBUSRES | SOFINT | –      | RXRSM  | RXSUSP |
| 7  | 6  | 5      | 4         | 3      | 2      | 1      | 0      |
|    |    |        |           | EP3INT | EP2INT | EP1INT | EPOINT |

- **EP0INT: Endpoint 0 Interrupt Status**
- **EP1INT: Endpoint 1 Interrupt Status**
- **EP2INT: Endpoint 2 Interrupt Status**
- **EP3INT: Endpoint 3 Interrupt Status**

0 = No Endpoint0 Interrupt pending.

1 = Endpoint0 Interrupt has been raised.

Several signals can generate this interrupt. The reason can be found by reading UDP\_CSR0:

RXSETUP set to 1

RX\_DATA\_BK0 set to 1

RX\_DATA\_BK1 set to 1

TXCOMP set to 1

STALLSENT set to 1

EPOINT is a sticky bit. Interrupt remains valid until EPOINT is cleared by writing in the corresponding UDP\_CSR0 bit.

- **RXSUSP: UDP Suspend Interrupt Status**

0 = No UDP Suspend Interrupt pending.

1 = UDP Suspend Interrupt has been raised.

The USB device sets this bit when it detects no activity for 3ms. The USB device enters Suspend mode.

- **RXRSM: UDP Resume Interrupt Status**

0 = No UDP Resume Interrupt pending.

1 = UDP Resume Interrupt has been raised.

The USB device sets this bit when a UDP resume signal is detected at its port.

After reset, the state of this bit is undefined, the application must clear this bit by setting the RXRSM flag in the UDP\_ICR register.

- **SOFINT: Start of Frame Interrupt Status**

0 = No Start of Frame Interrupt pending.

1 = Start of Frame Interrupt has been raised.

This interrupt is raised each time a SOF token has been detected. It can be used as a synchronization signal by using isochronous endpoints.

- **ENDBUSRES: End of BUS Reset Interrupt Status**

0 = No End of Bus Reset Interrupt pending.

1 = End of Bus Reset Interrupt has been raised.

This interrupt is raised at the end of a UDP reset sequence. The USB device must prepare to receive requests on the endpoint 0. The host starts the enumeration, then performs the configuration.

- **WAKEUP: UDP Resume Interrupt Status**

0 = No Wakeup Interrupt pending.

1 = A Wakeup Interrupt (USB Host Sent a RESUME or RESET) occurred since the last clear.

After reset the state of this bit is undefined, the application must clear this bit by setting the WAKEUP flag in the UDP\_ICR register.

### 35.6.8 UDP Interrupt Clear Register

**Register Name:** UDP\_ICR

**Access Type:** Write-only

|    |    |        |           |        |    |       |        |
|----|----|--------|-----------|--------|----|-------|--------|
| 31 | 30 | 29     | 28        | 27     | 26 | 25    | 24     |
| –  | –  | –      | –         | –      | –  | –     | –      |
| 23 | 22 | 21     | 20        | 19     | 18 | 17    | 16     |
| –  | –  | –      | –         | –      | –  | –     | –      |
| 15 | 14 | 13     | 12        | 11     | 10 | 9     | 8      |
| –  | –  | WAKEUP | ENDBUSRES | SOFINT | –  | RXRSM | RXSUSP |
| 7  | 6  | 5      | 4         | 3      | 2  | 1     | 0      |
| –  | –  | –      | –         | –      | –  | –     | –      |

- **RXSUSP: Clear UDP Suspend Interrupt**

0 = No effect.

1 = Clears UDP Suspend Interrupt.

- **RXRSM: Clear UDP Resume Interrupt**

0 = No effect.

1 = Clears UDP Resume Interrupt.

- **SOFINT: Clear Start Of Frame Interrupt**

0 = No effect.

1 = Clears Start Of Frame Interrupt.

- **ENDBUSRES: Clear End of Bus Reset Interrupt**

0 = No effect.

1 = Clears End of Bus Reset Interrupt.

- **WAKEUP: Clear Wakeup Interrupt**

0 = No effect.

1 = Clears Wakeup Interrupt.

### 35.6.9 UDP Reset Endpoint Register

**Register Name:** UDP\_RST\_EP

**Access Type:** Read-write

|    |    |    |    |     |     |     |     |
|----|----|----|----|-----|-----|-----|-----|
| 31 | 30 | 29 | 28 | 27  | 26  | 25  | 24  |
| –  | –  | –  | –  | –   | –   | –   | –   |
| 23 | 22 | 21 | 20 | 19  | 18  | 17  | 16  |
| –  | –  | –  | –  | –   | –   | –   | –   |
| 15 | 14 | 13 | 12 | 11  | 10  | 9   | 8   |
| –  | –  | –  | –  | –   | –   | –   | –   |
| 7  | 6  | 5  | 4  | 3   | 2   | 1   | 0   |
|    |    |    |    | EP3 | EP2 | EP1 | EP0 |

- **EP0: Reset Endpoint 0**
- **EP1: Reset Endpoint 1**
- **EP2: Reset Endpoint 2**
- **EP3: Reset Endpoint 3**

This flag is used to reset the FIFO associated with the endpoint and the bit RXBYTECOUNT in the register UDP\_CSRx. It also resets the data toggle to DATA0. It is useful after removing a HALT condition on a BULK endpoint. Refer to Chapter 5.8.5 in the *USB Serial Bus Specification, Rev.2.0*.

**Warning:** This flag must be cleared at the end of the reset. It does not clear UDP\_CSRx flags.

0 = No reset.

1 = Forces the corresponding endpoint FIFO pointers to 0, therefore RXBYTECNT field is read at 0 in UDP\_CSRx register.

### 35.6.10 UDP Endpoint Control and Status Register

**Register Name:** UDP\_CSRx [x = 0..Y]

**Access Type:** Read-write

|           |             |             |          |                    |           |             |        |
|-----------|-------------|-------------|----------|--------------------|-----------|-------------|--------|
| 31        | 30          | 29          | 28       | 27                 | 26        | 25          | 24     |
| –         | –           | –           | –        | –                  | RXBYTECNT |             |        |
| 23        | 22          | 21          | 20       | 19                 | 18        | 17          | 16     |
| RXBYTECNT |             |             |          |                    |           |             |        |
| 15        | 14          | 13          | 12       | 11                 | 10        | 9           | 8      |
| EPEDS     | –           | –           | –        | DTGLE              | EPTYPE    |             |        |
| 7         | 6           | 5           | 4        | 3                  | 2         | 1           | 0      |
| DIR       | RX_DATA_BK1 | FORCE STALL | TXPKTRDY | STALLSENT ISOERROR | RXSETUP   | RX_DATA_BK0 | TXCOMP |

**WARNING:** Due to synchronization between MCK and UDPCCK, the software application must wait for the end of the write operation before executing another write by polling the bits which must be set/cleared.

```

//! Clear flags of UDP UDP_CSR register and waits for synchronization
#define Udp_ep_clr_flag(pInterface, endpoint, flags) { \
    pInterface->UDP_CSR[endpoint] &= ~(flags); \
    while ( (pInterface->UDP_CSR[endpoint] & (flags)) == (flags) ); \
}
//! Set flags of UDP UDP_CSR register and waits for synchronization
#define Udp_ep_set_flag(pInterface, endpoint, flags) { \
    pInterface->UDP_CSR[endpoint] |= (flags); \
    while ( (pInterface->UDP_CSR[endpoint] & (flags)) != (flags) ); \
}

```

Note: In a preemptive environment, set or clear the flag and wait for a time of 1 UDPCCK clock cycle and 1 peripheral clock cycle. However, RX\_DATA\_BLK0, TXPKTRDY, RX\_DATA\_BK1 require wait times of 3 UDPCCK clock cycles and 3 peripheral clock cycles before access in DPR.

- **TXCOMP: Generates an IN Packet with Data Previously Written in the DPR**

This flag generates an interrupt while it is set to one.

Write (Cleared by the firmware):

0 = Clear the flag, clear the interrupt.

1 = No effect.

Read (Set by the USB peripheral):

0 = Data IN transaction has not been acknowledged by the Host.

1 = Data IN transaction is achieved, acknowledged by the Host.

After having issued a Data IN transaction setting TXPKTRDY, the device firmware waits for TXCOMP to be sure that the host has acknowledged the transaction.

- **RX\_DATA\_BK0: Receive Data Bank 0**

This flag generates an interrupt while it is set to one.

Write (Cleared by the firmware):

0 = Notify USB peripheral device that data have been read in the FIFO's Bank 0.

1 = To leave the read value unchanged.

Read (Set by the USB peripheral):

0 = No data packet has been received in the FIFO's Bank 0.

1 = A data packet has been received, it has been stored in the FIFO's Bank 0.

When the device firmware has polled this bit or has been interrupted by this signal, it must transfer data from the FIFO to the microcontroller memory. The number of bytes received is available in RXBYTCENT field. Bank 0 FIFO values are read through the UDP\_FDRx register. Once a transfer is done, the device firmware must release Bank 0 to the USB peripheral device by clearing RX\_DATA\_BK0.

After setting or clearing this bit, a wait time of 3 UDPCCK clock cycles and 3 peripheral clock cycles is required before accessing DPR.

- **RXSETUP: Received Setup**

This flag generates an interrupt while it is set to one.

Read:

0 = No setup packet available.

1 = A setup data packet has been sent by the host and is available in the FIFO.

Write:

0 = Device firmware notifies the USB peripheral device that it has read the setup data in the FIFO.

1 = No effect.

This flag is used to notify the USB device firmware that a valid Setup data packet has been sent by the host and successfully received by the USB device. The USB device firmware may transfer Setup data from the FIFO by reading the UDP\_FDRx register to the microcontroller memory. Once a transfer has been done, RXSETUP must be cleared by the device firmware.

Ensuing Data OUT transaction is not accepted while RXSETUP is set.

- **STALLSENT: Stall Sent (Control, Bulk Interrupt Endpoints)/ISOERROR (Isochronous Endpoints)**

This flag generates an interrupt while it is set to one.

STALLSENT: This ends a STALL handshake.

Read:

0 = The host has not acknowledged a STALL.

1 = Host has acknowledged the stall.

Write:

0 = Resets the STALLSENT flag, clears the interrupt.

1 = No effect.

This is mandatory for the device firmware to clear this flag. Otherwise the interrupt remains.

Refer to chapters 8.4.5 and 9.4.5 of the *Universal Serial Bus Specification, Rev. 2.0* for more information on the STALL handshake.

ISOERROR: A CRC error has been detected in an isochronous transfer.

Read:

0 = No error in the previous isochronous transfer.

1 = CRC error has been detected, data available in the FIFO are corrupted.

Write:

0 = Resets the ISOERROR flag, clears the interrupt.

1 = No effect.

- **TXPKTRDY: Transmit Packet Ready**

This flag is cleared by the USB device.

This flag is set by the USB device firmware.

Read:

0 = Can be set to one to send the FIFO data.

1 = The data is waiting to be sent upon reception of token IN.

Write:

0 = Can be written if old value is zero.

1 = A new data payload is has been written in the FIFO by the firmware and is ready to be sent.

This flag is used to generate a Data IN transaction (device to host). Device firmware checks that it can write a data payload in the FIFO, checking that TXPKTRDY is cleared. Transfer to the FIFO is done by writing in the UDP\_ FDRx register. Once the data payload has been transferred to the FIFO, the firmware notifies the USB device setting TXPKTRDY to one. USB bus transactions can start. TXCOMP is set once the data payload has been received by the host.

After setting or clearing this bit, a wait time of 3 UDPOCK clock cycles and 3 peripheral clock cycles is required before accessing DPR.

- **FORCESTALL: Force Stall (used by Control, Bulk and Isochronous Endpoints)**

Read:

0 = Normal state.

1 = Stall state.

Write:

0 = Return to normal state.

1 = Send STALL to the host.

Refer to chapters 8.4.5 and 9.4.5 of the *Universal Serial Bus Specification, Rev. 2.0* for more information on the STALL handshake.

Control endpoints: During the data stage and status stage, this bit indicates that the microcontroller cannot complete the request.

Bulk and interrupt endpoints: This bit notifies the host that the endpoint is halted.

The host acknowledges the STALL, device firmware is notified by the STALLSENT flag.

- **RX\_DATA\_BK1: Receive Data Bank 1 (only used by endpoints with ping-pong attributes)**

This flag generates an interrupt while it is set to one.

Write (Cleared by the firmware):

0 = Notifies USB device that data have been read in the FIFO's Bank 1.

1 = To leave the read value unchanged.

Read (Set by the USB peripheral):

0 = No data packet has been received in the FIFO's Bank 1.

1 = A data packet has been received, it has been stored in FIFO's Bank 1.

When the device firmware has polled this bit or has been interrupted by this signal, it must transfer data from the FIFO to microcontroller memory. The number of bytes received is available in RXBYTECNT field. Bank 1 FIFO values are read through UDP\_FDRx register. Once a transfer is done, the device firmware must release Bank 1 to the USB device by clearing RX\_DATA\_BK1.

After setting or clearing this bit, a wait time of 3 UDPCCK clock cycles and 3 peripheral clock cycles is required before accessing DPR.

- **DIR: Transfer Direction (only available for control endpoints)**

Read-write

0 = Allows Data OUT transactions in the control data stage.

1 = Enables Data IN transactions in the control data stage.

Refer to Chapter 8.5.3 of the *Universal Serial Bus Specification, Rev. 2.0* for more information on the control data stage.

This bit must be set before UDP\_CSRx/RXSETUP is cleared at the end of the setup stage. According to the request sent in the setup data packet, the data stage is either a device to host (DIR = 1) or host to device (DIR = 0) data transfer. It is not necessary to check this bit to reverse direction for the status stage.

- **EPTYPE[2:0]: Endpoint Type**

Read-write

|     |                 |
|-----|-----------------|
| 000 | Control         |
| 001 | Isochronous OUT |
| 101 | Isochronous IN  |
| 010 | Bulk OUT        |
| 110 | Bulk IN         |
| 011 | Interrupt OUT   |
| 111 | Interrupt IN    |



- **DTGLE: Data Toggle**

Read-only

0 = Identifies DATA0 packet.

1 = Identifies DATA1 packet.

Refer to Chapter 8 of the *Universal Serial Bus Specification, Rev. 2.0* for more information on DATA0, DATA1 packet definitions.

- **EPEDS: Endpoint Enable Disable**

Read:

0 = Endpoint disabled.

1 = Endpoint enabled.

Write:

0 = Disables endpoint.

1 = Enables endpoint.

Control endpoints are always enabled. Reading or writing this field has no effect on control endpoints.

**Note:** After reset, all endpoints are configured as control endpoints (zero).

- **RXBYTECNT[10:0]: Number of Bytes Available in the FIFO**

Read-only

When the host sends a data packet to the device, the USB device stores the data in the FIFO and notifies the microcontroller. The microcontroller can load the data from the FIFO by reading RXBYTECENT bytes in the UDP\_ FDRx register.

### 35.6.11 UDP FIFO Data Register

**Register Name:** UDP\_FDRx [x = 0..Y]

**Access Type:** Read-write

|           |    |    |    |    |    |    |    |
|-----------|----|----|----|----|----|----|----|
| 31        | 30 | 29 | 28 | 27 | 26 | 25 | 24 |
| –         | –  | –  | –  | –  | –  | –  | –  |
| 23        | 22 | 21 | 20 | 19 | 18 | 17 | 16 |
| –         | –  | –  | –  | –  | –  | –  | –  |
| 15        | 14 | 13 | 12 | 11 | 10 | 9  | 8  |
| –         | –  | –  | –  | –  | –  | –  | –  |
| 7         | 6  | 5  | 4  | 3  | 2  | 1  | 0  |
| FIFO_DATA |    |    |    |    |    |    |    |

- **FIFO\_DATA[7:0]: FIFO Data Value**

The microcontroller can push or pop values in the FIFO through this register.

RXBYTECNT in the corresponding UDP\_CSRx register is the number of bytes to be read from the FIFO (sent by the host).

The maximum number of bytes to write is fixed by the Max Packet Size in the Standard Endpoint Descriptor. It can not be more than the physical memory size associated to the endpoint. Refer to the *Universal Serial Bus Specification, Rev. 2.0* for more information.



### 35.6.12 UDP Transceiver Control Register

**Register Name:** UDP\_TXVC

**Access Type:** Read-write

|    |    |    |    |    |    |    |        |
|----|----|----|----|----|----|----|--------|
| 31 | 30 | 29 | 28 | 27 | 26 | 25 | 24     |
| –  | –  | –  | –  | –  | –  | –  | –      |
| 23 | 22 | 21 | 20 | 19 | 18 | 17 | 16     |
| –  | –  | –  | –  | –  | –  | –  | –      |
| 15 | 14 | 13 | 12 | 11 | 10 | 9  | 8      |
| –  | –  | –  | –  | –  | –  | –  | TXVDIS |
| 7  | 6  | 5  | 4  | 3  | 2  | 1  | 0      |
| –  | –  | –  | –  | –  | –  | –  | –      |

**WARNING:** The UDP peripheral clock in the Power Management Controller (PMC) must be enabled before any read/write operations to the UDP registers including the UDP\_TXCV register.

- **TXVDIS: Transceiver Disable**

When UDP is disabled, power consumption can be reduced significantly by disabling the embedded transceiver. This can be done by setting TXVDIS field.

To enable the transceiver, TXVDIS must be cleared.

**NOTE:** If the USB pullup is not connected on DP, the user should not write in any UDP register other than the UDP\_TXVC register. This is because if DP and DM are floating at 0, or pulled down, then SE0 is received by the device with the consequence of a USB Reset.



## 36. Analog-to-Digital Converter (ADC)

### 36.1 Overview

The ADC is based on a Successive Approximation Register (SAR) 10-bit Analog-to-Digital Converter (ADC). It also integrates an 8-to-1 analog multiplexer, making possible the analog-to-digital conversions of 8 analog lines. The conversions extend from 0V to ADVREF.

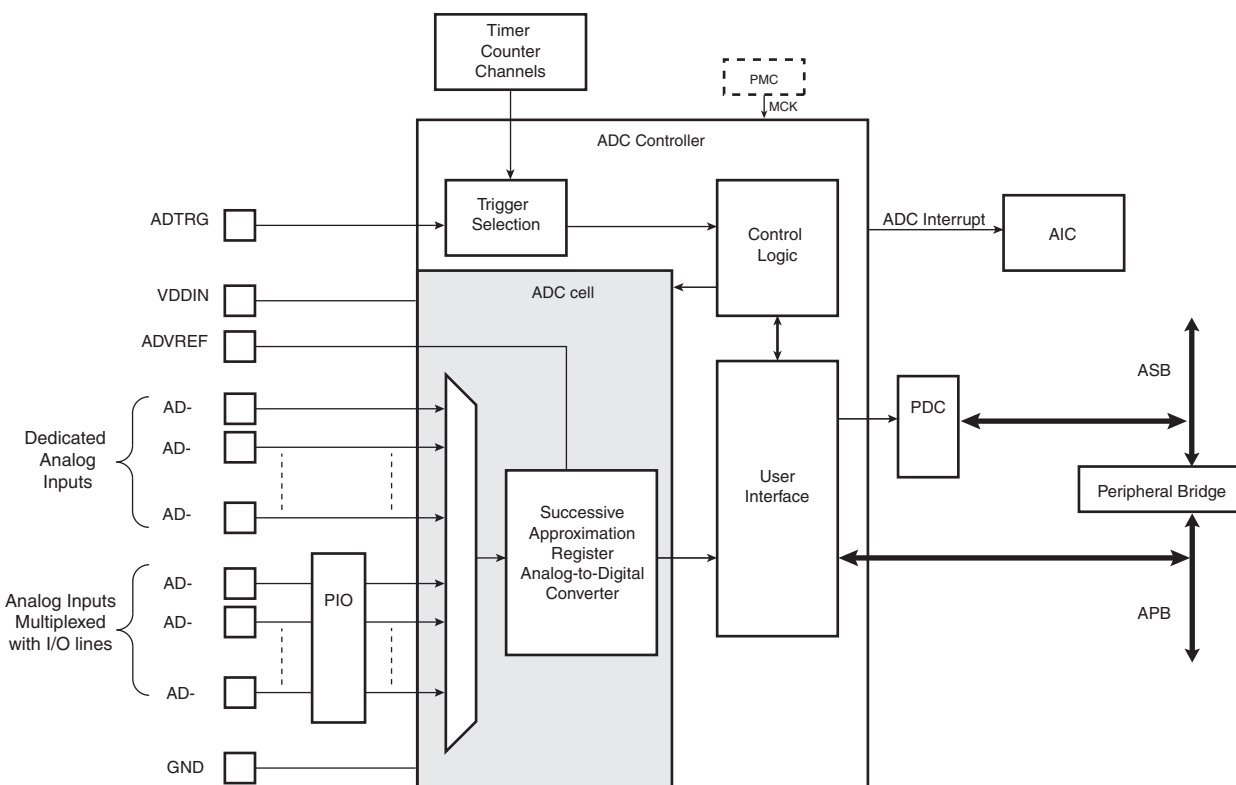
The ADC supports an 8-bit or 10-bit resolution mode, and conversion results are reported in a common register for all channels, as well as in a channel-dedicated register. Software trigger, external trigger on rising edge of the ADTRG pin or internal triggers from Timer Counter output(s) are configurable.

The ADC also integrates a Sleep Mode and a conversion sequencer and connects with a PDC channel. These features reduce both power consumption and processor intervention.

Finally, the user can configure ADC timings, such as Startup Time and Sample & Hold Time.

### 36.2 Block Diagram

Figure 36-1. Analog-to-Digital Converter Block Diagram



## 36.3 Signal Description

**Table 36-1.** ADC Pin Description

| Pin Name  | Description           |
|-----------|-----------------------|
| ADVREF    | Reference voltage     |
| AD0 - AD7 | Analog input channels |
| ADTRG     | External trigger      |

## 36.4 Product Dependencies

### 36.4.1 Power Management

The ADC Controller clock (MCK) is always clocked.

### 36.4.2 Interrupt Sources

The ADC interrupt line is connected on one of the internal sources of the Advanced Interrupt Controller. Using the ADC interrupt requires the AIC to be programmed first.

### 36.4.3 Analog Inputs

The analog input pins can be multiplexed with PIO lines. In this case, the assignment of the ADC input is automatically done as soon as the corresponding channel is enabled by writing the register ADC\_CHER. By default, after reset, the PIO line is configured as input with its pull-up enabled and the ADC input is connected to the GND.

### 36.4.4 I/O Lines

The pin ADTRG may be shared with other peripheral functions through the PIO Controller. In this case, the PIO Controller should be set accordingly to assign the pin ADTRG to the ADC function.

### 36.4.5 Timer Triggers

Timer Counters may or may not be used as hardware triggers depending on user requirements. Thus, some or all of the timer counters may be non-connected.

### 36.4.6 Conversion Performances

For performance and electrical characteristics of the ADC, see the DC Characteristics section.

## 36.5 Functional Description

### 36.5.1 Analog-to-digital Conversion

The ADC uses the ADC Clock to perform conversions. Converting a single analog value to a 10-bit digital data requires Sample and Hold Clock cycles as defined in the field SHTIM of the “[ADC Mode Register](#)” on page 542 and 10 ADC Clock cycles. The ADC Clock frequency is selected in the PRESCAL field of the Mode Register (ADC\_MR).

The ADC clock range is between  $MCK/2$ , if PRESCAL is 0, and  $MCK/128$ , if PRESCAL is set to 63 (0x3F). PRESCAL must be programmed in order to provide an ADC clock frequency according to the parameters given in the Product definition section.

### 36.5.2 Conversion Reference

The conversion is performed on a full range between 0V and the reference voltage pin ADVREF. Analog inputs between these voltages convert to values based on a linear conversion.

### 36.5.3 Conversion Resolution

The ADC supports 8-bit or 10-bit resolutions. The 8-bit selection is performed by setting the bit LOWRES in the ADC Mode Register (ADC\_MR). By default, after a reset, the resolution is the highest and the DATA field in the data registers is fully used. By setting the bit LOWRES, the ADC switches in the lowest resolution and the conversion results can be read in the eight lowest significant bits of the data registers. The two highest bits of the DATA field in the corresponding ADC\_CDR register and of the LDATA field in the ADC\_LCDR register read 0.

Moreover, when a PDC channel is connected to the ADC, 10-bit resolution sets the transfer request sizes to 16-bit. Setting the bit LOWRES automatically switches to 8-bit data transfers. In this case, the destination buffers are optimized.

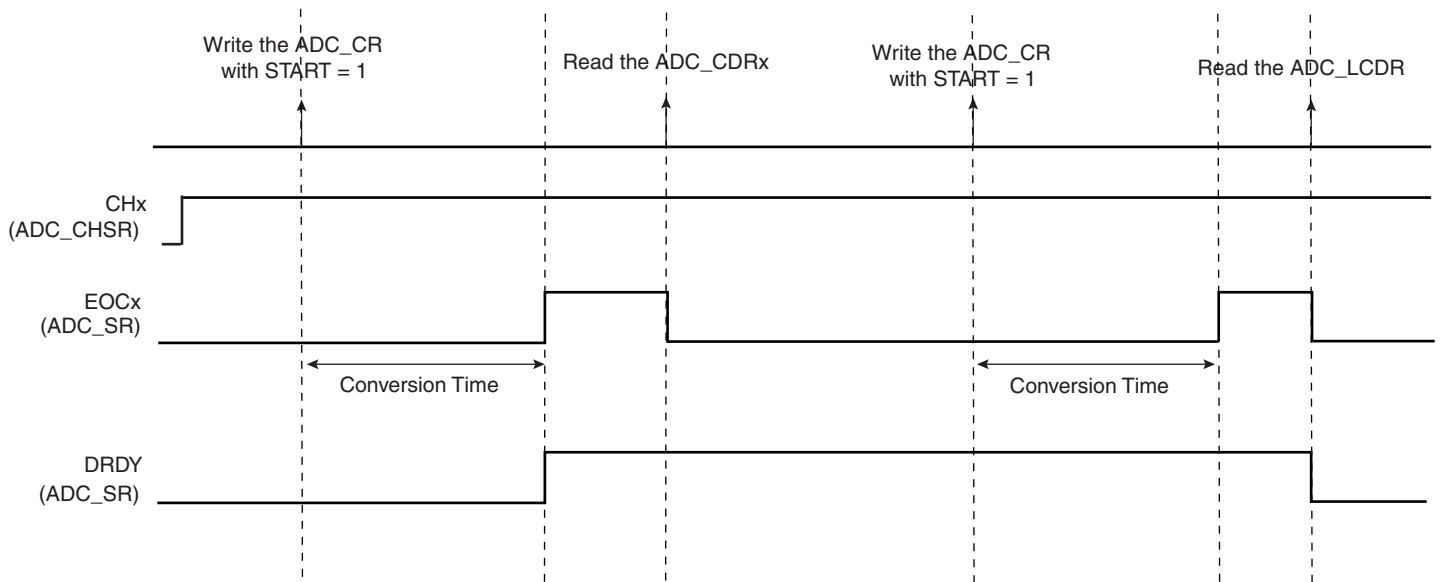
### 36.5.4 Conversion Results

When a conversion is completed, the resulting 10-bit digital value is stored in the Channel Data Register (ADC\_CDR) of the current channel and in the ADC Last Converted Data Register (ADC\_LCDR).

The channel EOC bit in the Status Register (ADC\_SR) is set and the DRDY is set. In the case of a connected PDC channel, DRDY rising triggers a data transfer request. In any case, either EOC and DRDY can trigger an interrupt.

Reading one of the ADC\_CDR registers clears the corresponding EOC bit. Reading ADC\_LCDR clears the DRDY bit and the EOC bit corresponding to the last converted channel.

**Figure 36-2.** EOCx and DRDY Flag Behavior



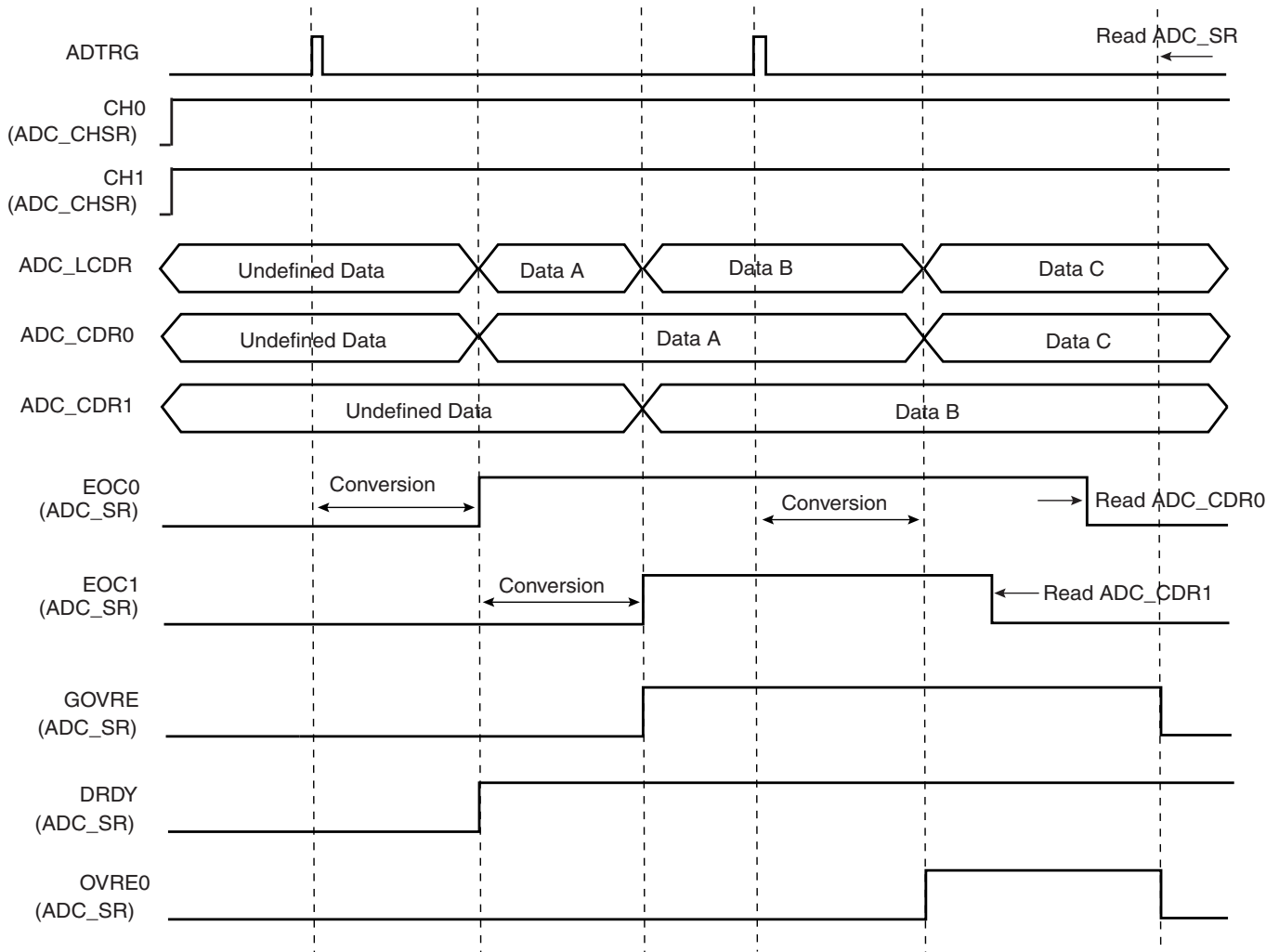


If the ADC\_CDR is not read before further incoming data is converted, the corresponding Over-run Error (OVRE) flag is set in the Status Register (ADC\_SR).

In the same way, new data converted when DRDY is high sets the bit GOVRE (General Overrun Error) in ADC\_SR.

The OVRE and GOVRE flags are automatically cleared when ADC\_SR is read.

**Figure 36-3.** GOVRE and OVREx Flag Behavior



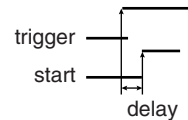
**Warning:** If the corresponding channel is disabled during a conversion or if it is disabled and then reenabled during a conversion, its associated data and its corresponding EOC and OVRE flags in ADC\_SR are unpredictable.

### 36.5.5 Conversion Triggers

Conversions of the active analog channels are started with a software or a hardware trigger. The software trigger is provided by writing the Control Register (ADC\_CR) with the bit START at 1.

The hardware trigger can be one of the TIOA outputs of the Timer Counter channels, or the external trigger input of the ADC (ADTRG). The hardware trigger is selected with the field TRGSEL in the Mode Register (ADC\_MR). The selected hardware trigger is enabled with the bit TRGEN in the Mode Register (ADC\_MR).

If a hardware trigger is selected, the start of a conversion is triggered after a delay starting at each rising edge of the selected signal. Due to asynchronism handling, the delay may vary in a range of 2 MCK clock periods to 1 ADC clock period.



If one of the TIOA outputs is selected, the corresponding Timer Counter channel must be programmed in Waveform Mode.

Only one start command is necessary to initiate a conversion sequence on all the channels. The ADC hardware logic automatically performs the conversions on the active channels, then waits for a new request. The Channel Enable (ADC\_CHER) and Channel Disable (ADC\_CHDR) Registers enable the analog channels to be enabled or disabled independently.

If the ADC is used with a PDC, only the transfers of converted data from enabled channels are performed and the resulting data buffers should be interpreted accordingly.

**Warning:** Enabling hardware triggers does not disable the software trigger functionality. Thus, if a hardware trigger is selected, the start of a conversion can be initiated either by the hardware or the software trigger.

### 36.5.6 Sleep Mode and Conversion Sequencer

The ADC Sleep Mode maximizes power saving by automatically deactivating the ADC when it is not being used for conversions. Sleep Mode is selected by setting the bit SLEEP in the Mode Register ADC\_MR.

The SLEEP mode is automatically managed by a conversion sequencer, which can automatically process the conversions of all channels at lowest power consumption.

When a start conversion request occurs, the ADC is automatically activated. As the analog cell requires a start-up time, the logic waits during this time and starts the conversion on the enabled channels. When all conversions are complete, the ADC is deactivated until the next trigger. Triggers occurring during the sequence are not taken into account.

The conversion sequencer allows automatic processing with minimum processor intervention and optimized power consumption. Conversion sequences can be performed periodically using a Timer/Counter output. The periodic acquisition of several samples can be processed automatically without any intervention of the processor thanks to the PDC.

Note: The reference voltage pins always remain connected in normal mode as in sleep mode.

## 36.5.7 ADC Timings

Each ADC has its own minimal Startup Time that is programmed through the field STARTUP in the Mode Register ADC\_MR.

In the same way, a minimal Sample and Hold Time is necessary for the ADC to guarantee the best converted final value between two channels selection. This time has to be programmed through the bitfield SHTIM in the Mode Register ADC\_MR.

**Warning:** No input buffer amplifier to isolate the source is included in the ADC. This must be taken into consideration to program a precise value in the SHTIM field. See the section, ADC Characteristics in the product datasheet.

## 36.6 Analog-to-Digital Converter (ADC) User Interface

**Table 36-2.** Register Mapping

| Offset      | Register                     | Name     | Access     | Reset      |
|-------------|------------------------------|----------|------------|------------|
| 0x00        | Control Register             | ADC_CR   | Write-only | –          |
| 0x04        | Mode Register                | ADC_MR   | Read-write | 0x00000000 |
| 0x08        | Reserved                     | –        | –          | –          |
| 0x0C        | Reserved                     | –        | –          | –          |
| 0x10        | Channel Enable Register      | ADC_CHER | Write-only | –          |
| 0x14        | Channel Disable Register     | ADC_CHDR | Write-only | –          |
| 0x18        | Channel Status Register      | ADC_CHSR | Read-only  | 0x00000000 |
| 0x1C        | Status Register              | ADC_SR   | Read-only  | 0x000C0000 |
| 0x20        | Last Converted Data Register | ADC_LCDR | Read-only  | 0x00000000 |
| 0x24        | Interrupt Enable Register    | ADC_IER  | Write-only | –          |
| 0x28        | Interrupt Disable Register   | ADC_IDR  | Write-only | –          |
| 0x2C        | Interrupt Mask Register      | ADC_IMR  | Read-only  | 0x00000000 |
| 0x30        | Channel Data Register 0      | ADC_CDR0 | Read-only  | 0x00000000 |
| 0x34        | Channel Data Register 1      | ADC_CDR1 | Read-only  | 0x00000000 |
| ...         | ...                          | ...      | ...        | ...        |
| 0x4C        | Channel Data Register 7      | ADC_CDR7 | Read-only  | 0x00000000 |
| 0x50 - 0xFC | Reserved                     | –        | –          | –          |

## 36.6.1 ADC Control Register

**Register Name:** ADC\_CR

**Access Type:** Write-only

|    |    |    |    |    |    |       |       |
|----|----|----|----|----|----|-------|-------|
| 31 | 30 | 29 | 28 | 27 | 26 | 25    | 24    |
| –  | –  | –  | –  | –  | –  | –     | –     |
| 23 | 22 | 21 | 20 | 19 | 18 | 17    | 16    |
| –  | –  | –  | –  | –  | –  | –     | –     |
| 15 | 14 | 13 | 12 | 11 | 10 | 9     | 8     |
| –  | –  | –  | –  | –  | –  | –     | –     |
| 7  | 6  | 5  | 4  | 3  | 2  | 1     | 0     |
| –  | –  | –  | –  | –  | –  | START | SWRST |

- **SWRST: Software Reset**

0 = No effect.

1 = Resets the ADC simulating a hardware reset.

- **START: Start Conversion**

0 = No effect.

1 = Begins analog-to-digital conversion.

### 36.6.2 ADC Mode Register

Register Name: ADC\_MR

Access Type: Read/Write

|         |         |       |        |        |    |    |       |
|---------|---------|-------|--------|--------|----|----|-------|
| 31      | 30      | 29    | 28     | 27     | 26 | 25 | 24    |
| –       | –       | –     | –      | SHTIM  |    |    |       |
| 23      | 22      | 21    | 20     | 19     | 18 | 17 | 16    |
| –       | STARTUP |       |        |        |    |    |       |
| 15      | 14      | 13    | 12     | 11     | 10 | 9  | 8     |
| PRESCAL |         |       |        |        |    |    |       |
| 7       | 6       | 5     | 4      | 3      | 2  | 1  | 0     |
| –       | –       | SLEEP | LOWRES | TRGSEL |    |    | TRGEN |

- **TRGEN: Trigger Enable**

| TRGEN | Selected TRGEN  |
|-------|---|
| 0     | Hardware triggers are disabled. Starting a conversion is only possible by software. |
| 1     | Hardware trigger selected by TRGSEL field is enabled.                               |

- **TRGSEL: Trigger Selection**

| TRGSEL |   |   | Selected TRGSEL                            |
|--------|---|---|--|
| 0      | 0 | 0 | TIOA Output of the Timer Counter Channel 0 |
| 0      | 0 | 1 | TIOA Output of the Timer Counter Channel 1 |
| 0      | 1 | 0 | TIOA Output of the Timer Counter Channel 2 |
| 0      | 1 | 1 | Reserved                                   |
| 1      | 0 | 0 | Reserved                                   |
| 1      | 0 | 1 | Reserved                                   |
| 1      | 1 | 0 | External trigger                           |
| 1      | 1 | 1 | Reserved                                   |

- **LOWRES: Resolution**

| LOWRES | Selected Resolution |
|--------|---------------------|
| 0      | 10-bit resolution   |
| 1      | 8-bit resolution    |

- **SLEEP: Sleep Mode**

| SLEEP | Selected Mode |
|-------|---------------|
| 0     | Normal Mode   |
| 1     | Sleep Mode    |

- **PRESCAL: Prescaler Rate Selection**

$$\text{ADCClock} = \text{MCK} / ( (\text{PRESCAL} + 1) * 2 )$$

- **STARTUP: Start Up Time**

$$\text{Startup Time} = (\text{STARTUP} + 1) * 8 / \text{ADCClock}$$

- **SHTIM: Sample & Hold Time**

$$\text{Sample \& Hold Time} = \text{SHTIM} / \text{ADCClock}$$

### 36.6.3 ADC Channel Enable Register

**Register Name:** ADC\_CHER

**Access Type:** Write-only

|     |     |     |     |     |     |     |     |
|-----|-----|-----|-----|-----|-----|-----|-----|
| 31  | 30  | 29  | 28  | 27  | 26  | 25  | 24  |
| –   | –   | –   | –   | –   | –   | –   | –   |
| 23  | 22  | 21  | 20  | 19  | 18  | 17  | 16  |
| –   | –   | –   | –   | –   | –   | –   | –   |
| 15  | 14  | 13  | 12  | 11  | 10  | 9   | 8   |
| –   | –   | –   | –   | –   | –   | –   | –   |
| 7   | 6   | 5   | 4   | 3   | 2   | 1   | 0   |
| CH7 | CH6 | CH5 | CH4 | CH3 | CH2 | CH1 | CH0 |

- **CHx: Channel x Enable**

0 = No effect.

1 = Enables the corresponding channel.

### 36.6.4 ADC Channel Disable Register

**Register Name:** ADC\_CHDR

**Access Type:** Write-only

|     |     |     |     |     |     |     |     |
|-----|-----|-----|-----|-----|-----|-----|-----|
| 31  | 30  | 29  | 28  | 27  | 26  | 25  | 24  |
| –   | –   | –   | –   | –   | –   | –   | –   |
| 23  | 22  | 21  | 20  | 19  | 18  | 17  | 16  |
| –   | –   | –   | –   | –   | –   | –   | –   |
| 15  | 14  | 13  | 12  | 11  | 10  | 9   | 8   |
| –   | –   | –   | –   | –   | –   | –   | –   |
| 7   | 6   | 5   | 4   | 3   | 2   | 1   | 0   |
| CH7 | CH6 | CH5 | CH4 | CH3 | CH2 | CH1 | CH0 |

- **CHx: Channel x Disable**

0 = No effect.

1 = Disables the corresponding channel.

**Warning:** If the corresponding channel is disabled during a conversion or if it is disabled then reenabled during a conversion, its associated data and its corresponding EOC and OVRE flags in ADC\_SR are unpredictable.



## 36.6.5 ADC Channel Status Register

**Register Name:** ADC\_CHSR

**Access Type:** Read-only

|     |     |     |     |     |     |     |     |
|-----|-----|-----|-----|-----|-----|-----|-----|
| 31  | 30  | 29  | 28  | 27  | 26  | 25  | 24  |
| –   | –   | –   | –   | –   | –   | –   | –   |
| 23  | 22  | 21  | 20  | 19  | 18  | 17  | 16  |
| –   | –   | –   | –   | –   | –   | –   | –   |
| 15  | 14  | 13  | 12  | 11  | 10  | 9   | 8   |
| –   | –   | –   | –   | –   | –   | –   | –   |
| 7   | 6   | 5   | 4   | 3   | 2   | 1   | 0   |
| CH7 | CH6 | CH5 | CH4 | CH3 | CH2 | CH1 | CH0 |

- **CHx: Channel x Status**

0 = Corresponding channel is disabled.

1 = Corresponding channel is enabled.

## 36.6.6 ADC Status Register

**Register Name:** ADC\_SR

**Access Type:** Read-only

|       |       |       |       |        |       |       |       |
|-------|-------|-------|-------|--------|-------|-------|-------|
| 31    | 30    | 29    | 28    | 27     | 26    | 25    | 24    |
| –     | –     | –     | –     | –      | –     | –     | –     |
| 23    | 22    | 21    | 20    | 19     | 18    | 17    | 16    |
| –     | –     | –     | –     | RXBUFF | ENDRX | GOVRE | DRDY  |
| 15    | 14    | 13    | 12    | 11     | 10    | 9     | 8     |
| OVRE7 | OVRE6 | OVRE5 | OVRE4 | OVRE3  | OVRE2 | OVRE1 | OVRE0 |
| 7     | 6     | 5     | 4     | 3      | 2     | 1     | 0     |
| EOC7  | EOC6  | EOC5  | EOC4  | EOC3   | EOC2  | EOC1  | EOC0  |

- **EOCx: End of Conversion x**

0 = Corresponding analog channel is disabled, or the conversion is not finished.

1 = Corresponding analog channel is enabled and conversion is complete.

- **OVREx: Overrun Error x**

0 = No overrun error on the corresponding channel since the last read of ADC\_SR.

1 = There has been an overrun error on the corresponding channel since the last read of ADC\_SR.

- **DRDY: Data Ready**

0 = No data has been converted since the last read of ADC\_LCDR.

1 = At least one data has been converted and is available in ADC\_LCDR.

- **GOVRE: General Overrun Error**

0 = No General Overrun Error occurred since the last read of ADC\_SR.

1 = At least one General Overrun Error has occurred since the last read of ADC\_SR.

- **ENDRX: End of RX Buffer**

0 = The Receive Counter Register has not reached 0 since the last write in ADC\_RCR or ADC\_RNCR.

1 = The Receive Counter Register has reached 0 since the last write in ADC\_RCR or ADC\_RNCR.

- **RXBUFF: RX Buffer Full**

0 = ADC\_RCR or ADC\_RNCR have a value other than 0.

1 = Both ADC\_RCR and ADC\_RNCR have a value of 0.

## 36.6.7 ADC Last Converted Data Register

**Register Name:** ADC\_LCDR

**Access Type:** Read-only

|       |    |    |    |    |    |       |    |
|-------|----|----|----|----|----|-------|----|
| 31    | 30 | 29 | 28 | 27 | 26 | 25    | 24 |
| –     | –  | –  | –  | –  | –  | –     | –  |
| 23    | 22 | 21 | 20 | 19 | 18 | 17    | 16 |
| –     | –  | –  | –  | –  | –  | –     | –  |
| 15    | 14 | 13 | 12 | 11 | 10 | 9     | 8  |
| –     | –  | –  | –  | –  | –  | LDATA |    |
| 7     | 6  | 5  | 4  | 3  | 2  | 1     | 0  |
| LDATA |    |    |    |    |    |       |    |

- **LDATA: Last Data Converted**

The analog-to-digital conversion data is placed into this register at the end of a conversion and remains until a new conversion is completed.

## 36.6.8 ADC Interrupt Enable Register

**Register Name:** ADC\_IER

**Access Type:** Write-only

|       |       |       |       |        |       |       |       |
|-------|-------|-------|-------|--------|-------|-------|-------|
| 31    | 30    | 29    | 28    | 27     | 26    | 25    | 24    |
| –     | –     | –     | –     | –      | –     | –     | –     |
| 23    | 22    | 21    | 20    | 19     | 18    | 17    | 16    |
| –     | –     | –     | –     | RXBUFF | ENDRX | GOVRE | DRDY  |
| 15    | 14    | 13    | 12    | 11     | 10    | 9     | 8     |
| OVRE7 | OVRE6 | OVRE5 | OVRE4 | OVRE3  | OVRE2 | OVRE1 | OVRE0 |
| 7     | 6     | 5     | 4     | 3      | 2     | 1     | 0     |
| EOC7  | EOC6  | EOC5  | EOC4  | EOC3   | EOC2  | EOC1  | EOC0  |

- **EOCx: End of Conversion Interrupt Enable x**
- **OVREx: Overrun Error Interrupt Enable x**
- **DRDY: Data Ready Interrupt Enable**
- **GOVRE: General Overrun Error Interrupt Enable**
- **ENDRX: End of Receive Buffer Interrupt Enable**
- **RXBUFF: Receive Buffer Full Interrupt Enable**

0 = No effect.

1 = Enables the corresponding interrupt.

## 36.6.9 ADC Interrupt Disable Register

**Register Name:** ADC\_IDR

**Access Type:** Write-only

|       |       |       |       |        |       |       |       |
|-------|-------|-------|-------|--------|-------|-------|-------|
| 31    | 30    | 29    | 28    | 27     | 26    | 25    | 24    |
| –     | –     | –     | –     | –      | –     | –     | –     |
| 23    | 22    | 21    | 20    | 19     | 18    | 17    | 16    |
| –     | –     | –     | –     | RXBUFF | ENDRX | GOVRE | DRDY  |
| 15    | 14    | 13    | 12    | 11     | 10    | 9     | 8     |
| OVRE7 | OVRE6 | OVRE5 | OVRE4 | OVRE3  | OVRE2 | OVRE1 | OVRE0 |
| 7     | 6     | 5     | 4     | 3      | 2     | 1     | 0     |
| EOC7  | EOC6  | EOC5  | EOC4  | EOC3   | EOC2  | EOC1  | EOC0  |

- **EOCx:** End of Conversion Interrupt Disable x
- **OVREx:** Overrun Error Interrupt Disable x
- **DRDY:** Data Ready Interrupt Disable
- **GOVRE:** General Overrun Error Interrupt Disable
- **ENDRX:** End of Receive Buffer Interrupt Disable
- **RXBUFF:** Receive Buffer Full Interrupt Disable

0 = No effect.

1 = Disables the corresponding interrupt.

## 36.6.10 ADC Interrupt Mask Register

**Register Name:** ADC\_IMR

**Access Type:** Read-only

|       |       |       |       |        |       |       |       |
|-------|-------|-------|-------|--------|-------|-------|-------|
| 31    | 30    | 29    | 28    | 27     | 26    | 25    | 24    |
| –     | –     | –     | –     | –      | –     | –     | –     |
| 23    | 22    | 21    | 20    | 19     | 18    | 17    | 16    |
| –     | –     | –     | –     | RXBUFF | ENDRX | GOVRE | DRDY  |
| 15    | 14    | 13    | 12    | 11     | 10    | 9     | 8     |
| OVRE7 | OVRE6 | OVRE5 | OVRE4 | OVRE3  | OVRE2 | OVRE1 | OVRE0 |
| 7     | 6     | 5     | 4     | 3      | 2     | 1     | 0     |
| EOC7  | EOC6  | EOC5  | EOC4  | EOC3   | EOC2  | EOC1  | EOC0  |

- **EOCx:** End of Conversion Interrupt Mask x
- **OVREx:** Overrun Error Interrupt Mask x
- **DRDY:** Data Ready Interrupt Mask
- **GOVRE:** General Overrun Error Interrupt Mask
- **ENDRX:** End of Receive Buffer Interrupt Mask
- **RXBUFF:** Receive Buffer Full Interrupt Mask

0 = The corresponding interrupt is disabled.

1 = The corresponding interrupt is enabled.

## 36.6.11 ADC Channel Data Register

**Register Name:** ADC\_CDRx

**Access Type:** Read-only

|      |    |    |    |    |    |      |    |
|------|----|----|----|----|----|------|----|
| 31   | 30 | 29 | 28 | 27 | 26 | 25   | 24 |
| –    | –  | –  | –  | –  | –  | –    | –  |
| 23   | 22 | 21 | 20 | 19 | 18 | 17   | 16 |
| –    | –  | –  | –  | –  | –  | –    | –  |
| 15   | 14 | 13 | 12 | 11 | 10 | 9    | 8  |
| –    | –  | –  | –  | –  | –  | DATA |    |
| 7    | 6  | 5  | 4  | 3  | 2  | 1    | 0  |
| DATA |    |    |    |    |    |      |    |

- **DATA: Converted Data**

The analog-to-digital conversion data is placed into this register at the end of a conversion and remains until a new conversion is completed. The Convert Data Register (CDR) is only loaded if the corresponding analog channel is enabled.







## 37. AT91SAM7S Electrical Characteristics

### 37.1 Absolute Maximum Ratings

**Table 37-1.** Absolute Maximum Ratings\*

|   |                   |
|---|-------------------|
| Operating Temperature (Industrial) .....                      | -40° C to + 85° C |
| Storage Temperature .....                                     | -60°C to + 150°C  |
| Voltage on Input Pins<br>with Respect to Ground .....         | -0.3V to + 5.5V   |
| Maximum Operating Voltage<br>(VDDCORE, and VDDPLL).....       | 2.0V              |
| Maximum Operating Voltage<br>(VDDIO, VDDIN and VDDFLASH)..... | 4.0V              |
| Total DC Output Current on all I/O lines                      |                   |
| 48-lead LQFP/QFN package.....                                 | 100 mA            |
| 64-lead LQFP/QFN package.....                                 | 150 mA            |

\*NOTICE: Stresses beyond those listed under “Absolute Maximum Ratings” may cause permanent damage to the device. This is a stress rating only and functional operation of the device at these or other conditions beyond those indicated in the operational sections of this specification is not implied. Exposure to absolute maximum rating conditions for extended periods may affect device reliability.

## 37.2 DC Characteristics

The following characteristics are applicable to the operating temperature range:  $T_A = -40^{\circ}\text{C}$  to  $85^{\circ}\text{C}$  unless otherwise specified.

**Table 37-2.** DC Characteristics

| Symbol         | Parameter   | Conditions   | Min                    | Typ  | Max  | Units         |
|----------------|---|--|------------------------|------|------|---------------|
| $V_{VDDCORE}$  | DC Supply Core                                    |  | 1.65                   |      | 1.95 | V             |
| $V_{VDDPLL}$   | DC Supply PLL                                     |  | 1.65                   |      | 1.95 | V             |
| $V_{VDDIO}$    | DC Supply I/Os                                    |  | 3.0                    |      | 3.6  | V             |
|                |   |  | 1.65                   |      | 1.95 | V             |
| $V_{VDDFLASH}$ | DC Supply Flash                                   |  | 3.0                    |      | 3.6  | V             |
| $V_{IL}$       | Input Low-level Voltage                           | $V_{VDDIO}$ from 3.0V to 3.6V  | -0.3                   |      | 0.8  | V             |
|                |   | $V_{VDDIO}$ from 1.65V to 1.95V  | -0.3                   |      | 0.45 | V             |
| $V_{IH}$       | Input High-level Voltage                          | $V_{VDDIO}$ from 3.0V to 3.6V  | 2.0                    |      | 5.5  | V             |
|                |   | $V_{VDDIO}$ from 1.65V to 1.95V  | $0.6 \times V_{VDDIO}$ |      | 5.5  | V             |
| $V_{OL}$       | Output Low-level Voltage                          | $I_O = 8 \text{ mA}$ , $V_{VDDIO}$ from 3.0V to 3.6V   |                        |      | 0.4  | V             |
|                |   | $I_O = 0.3 \text{ mA}$ , (CMOS) $V_{VDDIO}$ from 3.0V to 3.6V  |                        |      | 0.1  | V             |
|                |   | $I_O = 1.5 \text{ mA}$ , $V_{VDDIO}$ from 1.65V to 1.95V   |                        |      | 0.2  | V             |
|                |   | $I_O = 0.3 \text{ mA}$ , (CMOS) $V_{VDDIO}$ from 1.65V to 1.95V  |                        |      | 0.1  | V             |
| $V_{OH}$       | Output High-level Voltage                         | $I_O = 8 \text{ mA}$ , $V_{VDDIO}$ from 3.0V to 3.6V   | $V_{DDIO} - 0.4$       |      |      | V             |
|                |   | $I_O = 0.3 \text{ mA}$ , (CMOS) $V_{VDDIO}$ from 3.0V to 3.6V  | $V_{DDIO} - 0.1$       |      |      | V             |
|                |   | $I_O = 1.5 \text{ mA}$ , $V_{VDDIO}$ from 1.65V to 1.95V   | $V_{DDIO} - 0.2$       |      |      | V             |
|                |   | $I_O = 0.3 \text{ mA}$ , $V_{VDDIO}$ (CMOS) from 1.65V to 1.95V  | $V_{DDIO} - 0.1$       |      |      | V             |
| $I_{LEAK}$     | Input Leakage Current                             | PA0-PA3, Pull-up resistors disabled<br>(Typ: $T_A = 25^{\circ}\text{C}$ , Max: $T_A = 85^{\circ}\text{C}$ )    |                        | 40   | 400  | nA            |
|                |   | Other PIOs, Pull-up resistors disabled<br>(Typ: $T_A = 25^{\circ}\text{C}$ , Max: $T_A = 85^{\circ}\text{C}$ ) |                        | 20   | 200  | nA            |
| $I_{PULLUP}$   | Input Pull-up Current                             | PA17-PA20, $V_{VDDIO}$ from 3.0V to 3.6V,<br>PAx connected to ground   | 10                     | 20.6 | 60   | $\mu\text{A}$ |
|                |   | PA17-PA20, $V_{VDDIO}$ from 1.65V to 1.95V,<br>PAx connected to ground   | 2.46                   | 5.15 | 11.5 | $\mu\text{A}$ |
|                |   | Other PIOs and NRST, $V_{VDDIO}$ from 3.0V to 3.6V,<br>PAx connected to ground                                 | 143                    | 321  | 600  | $\mu\text{A}$ |
|                |   | Other PIOs and NRST, $V_{VDDIO}$ from 1.65V to 1.95V,<br>PAx connected to ground                               | 25                     | 75   | 100  | $\mu\text{A}$ |
| $I_{PULLDOWN}$ | Input Pull-down Current,<br>(TST, ERASE, JTAGSEL) | $V_{VDDIO}$ from 3.0V to 3.6V,<br>Pins connected to $V_{VDDIO}$  | 135                    | 295  | 550  | $\mu\text{A}$ |
|                |   | $V_{VDDIO}$ from 1.65V to 1.95V,<br>Pins connected to $V_{VDDIO}$  | 30                     | 67   | 130  | $\mu\text{A}$ |
| $C_{IN}$       | Input Capacitance                                 | 48 or 64 LQFP Package  |                        |      | 13.9 | pF            |

**Table 37-2.** DC Characteristics (Continued)

|             |   |  |                    |     |     |         |
|-------------|---|--|--------------------|-----|-----|---------|
| $I_{SC}$    | Static Current<br>(AT91SAM7S64/321/32/<br>161/16) | On $V_{VDDCORE} = 1.85V$ ,<br>MCK = 500Hz  | $T_A = 25^\circ C$ | 4.0 | 15  | $\mu A$ |
|             |   | All inputs driven at 1<br>(including TMS, TDI, TCK, NRST)<br>Flash in standby mode<br>All peripherals off. | $T_A = 85^\circ C$ | 25  | 100 |         |
| $I_{SC}$    | Static Current<br>(AT91SAM7S256/128)              | On $V_{VDDCORE} = 1.85V$ ,<br>MCK = 500Hz  | $T_A = 25^\circ C$ | 4.0 | 20  | $\mu A$ |
|             |   | All inputs driven at 1<br>(including TMS, TDI, TCK, NRST)<br>Flash in standby mode<br>All peripherals off  | $T_A = 85^\circ C$ | 35  | 150 |         |
| $I_{SC}$    | Static Current<br>(AT91SAM7S512)                  | On $V_{VDDCORE} = 1.85V$ ,<br>MCK = 500Hz  | $T_A = 25^\circ C$ | 6.0 | 30  | $\mu A$ |
|             |   | All inputs driven at 1<br>(including TMS, TDI, TCK, NRST)<br>Flash in standby mode<br>All peripherals off  | $T_A = 85^\circ C$ | 45  | 200 |         |
| $I_O$       | Output Current                                    | PA0-PA3, $V_{VDDIO}$ from 3.0V to 3.6V   |                    |     | 16  | mA      |
|             |   | PA0-PA3, $V_{VDDIO}$ from 1.65V to 1.95V   |                    |     | 3   | mA      |
|             |   | PA17-PA20, $V_{VDDIO}$ from 3.0V to 3.6V   |                    |     | 2   | mA      |
|             |   | PA17-PA20, $V_{VDDIO}$ from 1.65V to 1.95V   |                    |     | 0.5 | mA      |
|             |   | Other PIOs, $V_{VDDIO}$ from 3.0V to 3.6V  |                    |     | 8   | mA      |
|             |   | Other PIOs, $V_{VDDIO}$ from 1.65V to 1.95V  |                    |     | 1.5 | mA      |
| $T_{SLOPE}$ | Supply Core Slope                                 |  | 6                  |     |     | V/ms    |

Note that even during startup,  $V_{VDDFLASH}$  must always be superior or equal to  $V_{VDDCORE}$ .

**Table 37-3.** 1.8V Voltage Regulator Characteristics

| Symbol       | Parameter                 | Conditions   | Min  | Typ  | Max  | Units   |
|--------------|---------------------------|--|------|------|------|---------|
| $V_{VDDIN}$  | Supply Voltage            |  | 3.0  | 3.3  | 3.6  | V       |
| $V_{VDDOUT}$ | Output Voltage            | $I_O = 20$ mA                                      | 1.81 | 1.85 | 1.89 | V       |
| $I_{VDDIN}$  | Current consumption       | After startup, no load                             |      | 90   |      | $\mu A$ |
|              |                           | After startup, Idle mode, no load                  |      |      | 25   | $\mu A$ |
| $T_{START}$  | Startup Time              | $C_{load} = 2.2$ $\mu F$ , after $V_{DDIN} > 2.7V$ |      |      | 150  | $\mu S$ |
| $I_O$        | Maximum DC Output Current | $V_{DDIN} = 3.3V$                                  |      |      | 100  | mA      |
| $I_O$        | Maximum DC Output Current | $V_{DDIN} = 3.3V$ , in Idle Mode                   |      |      | 1    | mA      |

**Table 37-4. Brownout Detector Characteristics**

| Symbol             | Parameter           | Conditions  | Min  | Typ  | Max  | Units |
|--------------------|---------------------|---|------|------|------|-------|
| V <sub>BOT-</sub>  | Threshold Level     | Falling edge  | 1.65 | 1.68 | 1.71 | V     |
| V <sub>HYST</sub>  | Hysteresis          | V <sub>HYST</sub> = V <sub>BOT+</sub> - V <sub>BOT-</sub> |      | 50   | 65   | mV    |
| I <sub>DD</sub>    | Current Consumption | BOD on (GPNVM0 bit active)                                |      | 12   | 18   | μA    |
|                    |                     | BOD off (GPNVM0 bit inactive)                             |      |      | 1    | μA    |
| T <sub>START</sub> | Startup Time        |   |      | 100  | 200  | μs    |

**Table 37-5. DC Flash Characteristics AT91SAM7S64/321/32/161/16**

| Symbol          | Parameter       | Conditions   | Min | Max        | Units    |
|-----------------|-----------------|--|-----|------------|----------|
| T <sub>PU</sub> | Power-up delay  |  |     | 45         | μs       |
| I <sub>SB</sub> | Standby current | @25°C<br>onto VDDCORE = 1.8V<br>onto VDDFLASH = 3.3V               |     | 4<br>7     | μA       |
|                 |                 | @85°C<br>onto VDDCORE = 1.8V<br>onto VDDFLASH = 3.3V               |     | 10<br>30   | μA       |
| I <sub>CC</sub> | Active current  | Random Read @ 30MHz<br>onto VDDCORE = 1.8V<br>onto VDDFLASH = 3.3V |     | 3.0<br>0.4 | mA       |
|                 |                 | Write<br>onto VDDCORE = 1.8V<br>onto VDDFLASH = 3.3V               |     | 400<br>2.2 | μA<br>mA |

**Table 37-6. DC Flash Characteristics AT91SAM7S512/256/128**

| Symbol          | Parameter       | Conditions  | Min | Max        | Units    |
|-----------------|-----------------|---|-----|------------|----------|
| T <sub>PU</sub> | Power-up delay  |   |     | 45         | μs       |
| I <sub>SB</sub> | Standby current | @25°C<br>onto VDDCORE = 1.8V<br>onto VDDFLASH = 3.3V                                |     | 5<br>10    | μA       |
|                 |                 | @85°C<br>onto VDDCORE = 1.8V<br>onto VDDFLASH = 3.3V                                |     | 10<br>120  | μA       |
| I <sub>CC</sub> | Active current  | Random Read @ 30MHz<br>onto VDDCORE = 1.8V<br>onto VDDFLASH = 3.3V                  |     | 3.0<br>0.8 | mA       |
|                 |                 | Write<br>(one bank for AT91SAM7S512)<br>onto VDDCORE = 1.8V<br>onto VDDFLASH = 3.3V |     | 400<br>5.5 | μA<br>mA |

## 37.3 Power Consumption

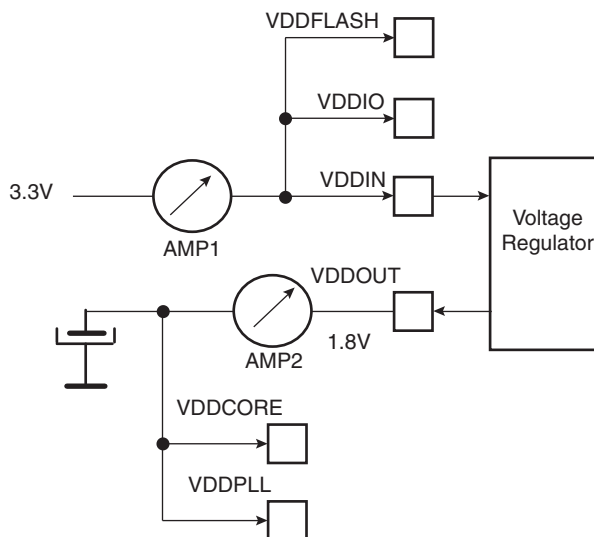
- Typical power consumption of PLLs, Slow Clock and Main Oscillator.
- Power consumption of power supply in two different modes: Active and ultra Low-power.
- Power consumption by peripheral: calculated as the difference in current measurement after having enabled then disabled the corresponding clock.

### 37.3.1 Power Consumption Versus Modes

The values in [Table 37-7](#) and [Table 37-8 on page 562](#) are measured values of the power consumption with operating conditions as follows:

- $V_{DDIO} = V_{DDIN} = V_{DDFLASH} = 3.3V$
- $V_{DDCORE} = V_{DDPLL} = 1.85V$
- $T_A = 25^{\circ}C$
- There is no consumption on the I/Os of the device

**Figure 37-1.** Measure Schematics:



These figures represent the power consumption typically measured on the power supplies..

**Table 37-7.** Power Consumption for Different Modes

| Mode  | Conditions   | Consumption  | Unit |
|---|--|--------------|------|
| Active, running out of Flash, 8 MHz<br>(AT91SAM7S64/321/32/161/16)  | Voltage regulator is on.<br>Brown Out Detector is activated.<br>Flash is read.<br>PLL is activated.<br>ARM Core clock is 8 MHz.<br>Analog-to-Digital Converter activated.<br>All peripheral clocks activated.<br>USB transceiver enabled.  | 7.6<br>4.4   | mA   |
| Active, running out of Flash, 8 MHz<br>(AT91SAM7S512/256/128)       | Voltage regulator is on.<br>Brown Out Detector is activated.<br>Flash is read.<br>PLL is activated<br>ARM Core clock is 8 MHz.<br>Analog-to-Digital Converter activated.<br>All peripheral clocks activated.<br>USB transceiver enabled.   | 8.4<br>8.2   | mA   |
| Active, running out of Flash, 16 MHz<br>(AT91SAM7S64/321/32/161/16) | Voltage regulator is on.<br>Brown Out Detector is activated.<br>Flash is read.<br>PLL is activated.<br>ARM Core clock is 16 MHz.<br>Analog-to-Digital Converter activated.<br>All peripheral clocks activated.<br>USB transceiver enabled. | 12.3<br>12.1 | mA   |
| Active, running out of Flash, 16 MHz<br>(AT91SAM7S512/256/128)      | Voltage regulator is on.<br>Brown Out Detector is activated.<br>Flash is read.<br>PLL is activated.<br>ARM Core clock is 16 MHz.<br>Analog-to-Digital Converter activated.<br>All peripheral clocks activated.<br>USB transceiver enabled. | 13.5<br>13.3 | mA   |

**Table 37-7.** Power Consumption for Different Modes

| Mode  | Conditions   | Consumption  | Unit |
|---|--|--------------|------|
| Active, running out of Flash, 32 MHz<br>(AT91SAM7S64/321/32/161/16) | Voltage regulator is on.<br>Brown Out Detector is activated.<br>Flash is read.<br>PLL is activated.<br>ARM Core clock is 32 MHz.<br>Analog-to-Digital Converter activated.<br>All peripheral clocks activated.<br>USB transceiver enabled. | 19.4<br>19.2 | mA   |
| Active, running out of Flash, 32 MHz<br>(AT91SAM7S512/256/128)      | Voltage regulator is on.<br>Brown Out Detector is activated.<br>Flash is read.<br>PLL is activated.<br>ARM Core clock is 32 MHz.<br>Analog-to-Digital Converter activated.<br>All peripheral clocks activated.<br>USB transceiver enabled. | 20.6<br>20.4 | mA   |
| Active, running out of Flash, 48 MHz<br>(AT91SAM7S64/321/32/161/16) | Voltage regulator is on.<br>Brown Out Detector is activated.<br>Flash is read.<br>PLL is activated.<br>ARM Core clock is 48 MHz.<br>Analog-to-Digital Converter activated.<br>All peripheral clocks activated.<br>USB transceiver enabled. | 27.8<br>27.6 | mA   |
| Active, running out of Flash, 32 MHz<br>(AT91SAM7S512/256/128)      | Voltage regulator is on.<br>Brown Out Detector is activated.<br>Flash is read.<br>PLL is activated.<br>ARM Core clock is 48 MHz.<br>Analog-to-Digital Converter activated.<br>All peripheral clocks activated.<br>USB transceiver enabled. | 29.5<br>29.3 | mA   |

**Table 37-7. Power Consumption for Different Modes**

| Mode  | Conditions   | Consumption  | Unit |
|---|--|--------------|------|
| Active, running out of Flash, 50 MHz<br>(AT91SAM7S64/321/32/161/16) | Voltage regulator is on.<br>Brown Out Detector is activated.<br>Flash is read.<br>PLL is activated.<br>ARM Core clock is 50 MHz.<br>Analog-to-Digital Converter activated.<br>All peripheral clocks activated.<br>USB transceiver enabled.<br>onto AMP1<br>onto AMP2 | 28.3<br>28.1 | mA   |
| Active, running out of Flash, 50 MHz<br>(AT91SAM7S512/256/128)      | Voltage regulator is on.<br>Brown Out Detector is activated.<br>Flash is read.<br>PLL is activated.<br>ARM Core clock is 50 MHz.<br>Analog-to-Digital Converter activated.<br>All peripheral clocks activated.<br>USB transceiver enabled.<br>onto AMP1<br>onto AMP2 | 30.8<br>30.6 | mA   |
| Active, running out of Flash, 55 MHz<br>(AT91SAM7S64/321/32/161/16) | Voltage regulator is on.<br>Brown Out Detector is activated.<br>Flash is read.<br>PLL is activated.<br>ARM Core clock is 55 MHz.<br>Analog-to-Digital Converter activated.<br>All peripheral clocks activated.<br>USB transceiver enabled.<br>onto AMP1<br>onto AMP2 | 31.7<br>31.5 | mA   |
| Active, running out of Flash, 55 MHz<br>(AT91SAM7S512/256/128)      | Voltage regulator is on.<br>Brown Out Detector is activated.<br>Flash is read.<br>PLL is activated.<br>ARM Core clock is 55 MHz.<br>Analog-to-Digital Converter activated.<br>All peripheral clocks activated.<br>USB transceiver enabled.<br>onto AMP1<br>onto AMP2 | 33.3<br>33.1 | mA   |



**Table 37-7.** Power Consumption for Different Modes

| Mode   | Conditions  | Consumption  | Unit |
|--|---|--------------|------|
| Active, Running out of SRAM, 1.1MHz<br>(AT91SAM7S64/321/32/161/16) | Voltage regulator is on.<br>Brown Out Detector is activated.<br>Flash is in standby mode.<br>PLL is de-activated..<br>Main oscillator is activated.<br>ARM Core clock is 1.1 MHz.<br>Running out of SRAM<br>Analog-to-Digital Converter activated.<br>All peripheral clocks activated.<br>USB transceiver enabled.  | 1.12<br>1.06 | mA   |
| Active, Running out of SRAM, 1MHz<br>(AT91SAM7S512/256/128)        | Voltage regulator is on.<br>Brown Out Detector is activated.<br>Flash is in standby mode.<br>PLL is de-activated.<br>Main oscillator is activated.<br>ARM Core clock is 1 MHz.<br>Running out of SRAM<br>Analog-to-Digital Converter activated.<br>All peripheral clocks activated.<br>USB transceiver enabled.   | 1.06<br>0.99 | mA   |
| Ultra low power  | Voltage regulator is in Low-power mode.<br>Brown Out Detector is de-activated.<br>Flash is in standby mode. <sup>(1)</sup><br>PLL is de-activated.<br>Main oscillator is activated.<br>ARM Core in idle mode.<br>MCK @ 500Hz.<br>Analog-to-Digital Converter de-activated.<br>All peripheral clocks de-activated.<br>USB transceiver disabled.<br>DDM and DDP pins connected to ground. | 34.3<br>4.0  | μA   |

Note: 1. "Flash is in standby mode" means the Flash is not accessed at all. Low power consumption figures found in the above table cannot be guaranteed when accessing the Flash in Ultra Low Power Mode. In order to meet given low power consumption figures, it is recommended to either stop the processor or jump to SRAM.

### 37.3.2 Peripheral Power Consumption in Active Mode

**Table 37-8.** Power Consumption on  $V_{DDCORE}$  <sup>(1)</sup>

| Peripheral                                     | Consumption (Typ) | Unit   |
|--|-------------------|--------|
| PIO Controller                                 | 12                | μA/MHz |
| USART  | 28                |        |
| UDP  | 20                |        |
| PWM  | 16                |        |
| TWI  | 5                 |        |
| SPI  | 16                |        |
| SSC  | 32                |        |
| Timer Counter Channels                         | 6                 |        |
| ARM7TDMI                                       | 160               |        |
| System Peripherals (AT91SAM7S512/256/128)      | 190               |        |
| System Peripherals (AT91SAM7S64/321/32/161/16) | 140               |        |

Note: 1. Note:  $V_{DDCORE} = 1.85V$ ,  $T_A = 25^\circ C$

## 37.4 Crystal Oscillators Characteristics

### 37.4.1 RC Oscillator Characteristics

**Table 37-9.** RC Oscillator Characteristics

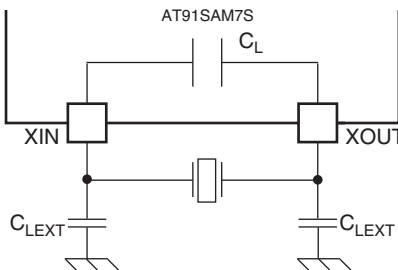
| Symbol         | Parameter               | Conditions          | Min | Typ | Max | Unit    |
|----------------|-------------------------|---------------------|-----|-----|-----|---------|
| $1/(t_{CPRC})$ | RC Oscillator Frequency | $V_{DDPLL} = 1.65V$ | 22  | 32  | 42  | kHz     |
|                | Duty Cycle              |                     | 45  | 50  | 55  | %       |
| $t_{ST}$       | Startup Time            | $V_{DDPLL} = 1.65V$ |     |     | 75  | $\mu s$ |
| $I_{OSC}$      | Current Consumption     | After Startup Time  |     |     | 1.9 | $\mu A$ |

### 37.4.2 Main Oscillator Characteristics

**Table 37-10.** Main Oscillator Characteristics

| Symbol                    | Parameter                                       | Conditions  | Min | Typ                      | Max                      | Unit    |
|---------------------------|---|---|-----|--------------------------|--------------------------|---------|
| $1/(t_{CPMAIN})$          | Crystal Oscillator Frequency                    |   | 3   | 16                       | 20                       | MHz     |
| $C_{L1}, C_{L2}$          | Internal Load Capacitance ( $C_{L1} = C_{L2}$ ) | Integrated Load Capacitance ((XIN or XOUT))   | 34  | 40                       | 46                       | pF      |
| $C_L$ <sup>(6)</sup>      | Equivalent Load Capacitance                     | Integrated Load Capacitance (XIN and XOUT in series)  | 17  | 20                       | 23                       | pF      |
|                           | Duty Cycle                                      |   | 30  | 50                       | 70                       | %       |
| $t_{ST}$                  | Startup Time                                    | $V_{DDPLL} = 1.2$ to $2V$<br>$C_S = 3$ pF <sup>(1)</sup> $1/(t_{CPMAIN}) = 3$ MHz<br>$C_S = 7$ pF <sup>(1)</sup> $1/(t_{CPMAIN}) = 16$ MHz<br>$C_S = 7$ pF <sup>(1)</sup> $1/(t_{CPMAIN}) = 20$ MHz |     |                          | 14.5<br>1.4<br>1         | ms      |
| $I_{DDST}$                | Standby Current Consumption                     | Standby mode  |     |                          | 1                        | $\mu A$ |
| $P_{ON}$                  | Drive level                                     | @3 MHz<br>@8 MHz<br>@16 MHz<br>@20 MHz  |     |                          | 15<br>30<br>50<br>50     | $\mu W$ |
| $I_{DDON}$                | Current dissipation                             | @3 MHz <sup>(2)</sup><br>@8 MHz <sup>(3)</sup><br>@16 MHz <sup>(4)</sup><br>@20 MHz <sup>(5)</sup>  |     | 150<br>150<br>300<br>400 | 250<br>250<br>450<br>550 | $\mu A$ |
| $C_{LEXT}$ <sup>(6)</sup> | Maximum external capacitor on XIN and XOUT      |   |     |                          | 10                       | pF      |

- Notes:
- $C_S$  is the shunt capacitance.
  - $R_S = 100-200 \Omega$ ;  $C_{SHUNT} = 2.0 - 2.5$  pF;  $C_M = 2 - 1.5$  fF (typ, worst case) using 1 K ohm serial resistor on xout.
  - $R_S = 50-100 \Omega$ ;  $C_{SHUNT} = 2.0 - 2.5$  pF;  $C_M = 4 - 3$  fF (typ, worst case).
  - $R_S = 25-50 \Omega$ ;  $C_{SHUNT} = 2.5 - 3.0$  pF;  $C_M = 7 - 5$  fF (typ, worst case).
  - $R_S = 20-50 \Omega$ ;  $C_{SHUNT} = 3.2 - 4.0$  pF;  $C_M = 10 - 8$  fF (typ, worst case).
  - $C_L$  and  $C_{LEXT} \emptyset$



## 37.4.3 Crystal Characteristics

**Table 37-11.** Crystal Characteristics

| Symbol      | Parameter                        | Conditions   | Min | Typ | Max                    | Unit     |
|-------------|----------------------------------|--|-----|-----|------------------------|----------|
| ESR         | Equivalent Series Resistor $R_s$ | Fundamental @3 MHz<br>Fundamental @8 MHz<br>Fundamental @16 MHz<br>Fundamental @20 MHz |     |     | 200<br>100<br>80<br>50 | $\Omega$ |
| $C_M$       | Motional capacitance             |  |     |     | 8                      | fF       |
| $C_{SHUNT}$ | Shunt capacitance                |  |     |     | 7                      | pF       |

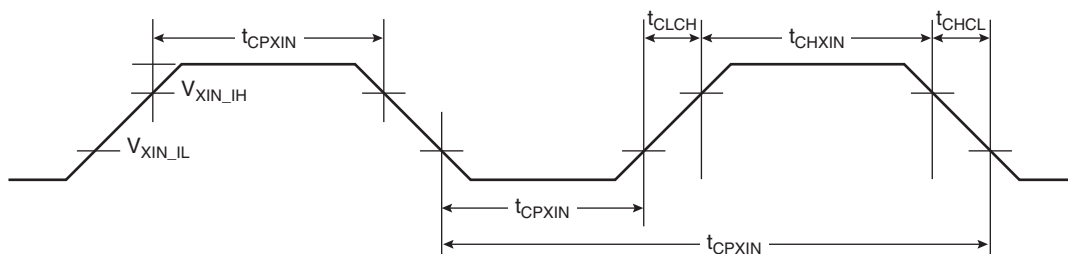
## 37.4.4 XIN Clock Characteristics

**Table 37-12.** XIN Clock Electrical Characteristics

| Symbol          | Parameter                          | Conditions | Min                    | Max                    | Units       |
|-----------------|------------------------------------|------------|------------------------|------------------------|-------------|
| $1/(t_{CPXIN})$ | XIN Clock Frequency                | (1)        |                        | 50.0                   | MHz         |
| $t_{CPXIN}$     | XIN Clock Period                   | (1)        | 20.0                   |                        | ns          |
| $t_{CHXIN}$     | XIN Clock High Half-period         | (1)        | 8.0                    |                        | ns          |
| $t_{CLXIN}$     | XIN Clock Low Half-period          | (1)        | 8.0                    |                        | ns          |
| $t_{CLCH}$      | Rise Time                          | (1)        |                        | 400                    |             |
| $t_{CHCL}$      | Fall Time                          | (1)        |                        | 400                    |             |
| $C_{IN}$        | XIN Input Capacitance              | (1)        |                        | 46                     | pF          |
| $R_{IN}$        | XIN Pull-down Resistor             | (1)        |                        | 500                    | k $\Omega$  |
| $V_{XIN\_IL}$   | $V_{XIN}$ Input Low-level Voltage  | (1)        | -0.3                   | $0.3 \times V_{DDPLL}$ | V           |
| $V_{XIN\_IH}$   | $V_{XIN}$ Input High-level Voltage | (1)        | $0.7 \times V_{DDPLL}$ | 1.95                   | V           |
| $I_{DDBP}$      | Bypass Current Consumption         | (1)        |                        | 15                     | $\mu$ W/MHz |

Note: 1. These characteristics apply only when the Main Oscillator is in bypass mode (i.e., when MOSCEN = 0 and OSCBYPASS = 1 in the CKGR\_MOR register, see the Clock Generator Main Oscillator Register).

**Figure 37-2.** XIN Clock Timing



## 37.5 PLL Characteristics

**Table 37-13.** Phase Lock Loop Characteristics

| Symbol           | Parameter                                      | Conditions                   | Min | Typ | Max | Unit |
|------------------|--|------------------------------|-----|-----|-----|------|
| F <sub>OUT</sub> | Output Frequency:<br>AT91SAM7S64/32/312/161/16 | Field out of CKGR_PLL is: 00 | 80  |     | 160 | MHz  |
|                  |  | 10                           | 150 |     | 200 | MHz  |
| F <sub>OUT</sub> | Output Frequency:<br>AT91SAM7S512/256/128      | Field out of CKGR_PLL is: 00 | 80  |     | 160 | MHz  |
|                  |  | 10                           | 150 |     | 180 | MHz  |
| F <sub>IN</sub>  | Input Frequency                                |                              | 1   |     | 32  | MHz  |
| I <sub>PLL</sub> | Current Consumption                            | Active mode                  |     |     | 4   | mA   |
|                  |  | Standby mode                 |     |     | 1   | μA   |

Note: Startup time depends on PLL RC filter. A calculation tool is provided by Atmel.

## 37.6 Master Clock Characteristics

**Table 37-14.** Master Clock Waveform Parameters

| Symbol                  | Parameter              | Conditions | Min | Max | Units |
|-------------------------|------------------------|------------|-----|-----|-------|
| 1/(t <sub>CPMCK</sub> ) | Master Clock Frequency |            |     | 55  | MHz   |

## 37.7 I/O Characteristics

Criteria used to define the maximum frequency of the I/Os:

- output duty cycle (30%-70%)
- minimum output swing: 100mV to VDDIO - 100mV
- Addition of rising and falling time inferior to 75% of the period

**Table 37-15.** I/O Characteristics

| Symbol                   | Parameter   | Conditions                 | Min | Max  | Units |
|--------------------------|---|----------------------------|-----|------|-------|
| FreqMax <sub>i01</sub>   | Pin Group 1 <sup>(1)</sup> frequency              | 3.3V domain <sup>(4)</sup> |     | 12.5 | MHz   |
|                          |   | 1.8V domain <sup>(5)</sup> |     | 4.5  | MHz   |
| PulseminH <sub>i01</sub> | Pin Group 1 <sup>(1)</sup> High Level Pulse Width | 3.3V domain <sup>(4)</sup> | 40  |      | ns    |
|                          |   | 1.8V domain <sup>(5)</sup> | 110 |      | ns    |
| PulseminL <sub>i01</sub> | Pin Group 1 <sup>(1)</sup> Low Level Pulse Width  | 3.3V domain <sup>(4)</sup> | 40  |      | ns    |
|                          |   | 1.8V domain <sup>(5)</sup> | 110 |      | ns    |
| FreqMax <sub>i02</sub>   | Pin Group 2 <sup>(2)</sup> frequency              | 3.3V domain <sup>(4)</sup> |     | 25   | MHz   |
|                          |   | 1.8V domain <sup>(5)</sup> |     | 14   | MHz   |
| PulseminH <sub>i02</sub> | Pin Group 2 <sup>(2)</sup> High Level Pulse Width | 3.3V domain <sup>(4)</sup> | 20  |      | ns    |
|                          |   | 1.8V domain <sup>(5)</sup> | 36  |      | ns    |

**Table 37-15.** I/O Characteristics (Continued)

| Symbol                   | Parameter   | Conditions                 | Min  | Max | Units |
|--------------------------|---|----------------------------|------|-----|-------|
| PulseminL <sub>I02</sub> | Pin Group 2 <sup>(2)</sup> Low Level Pulse Width  | 3.3V domain <sup>(4)</sup> | 20   |     | ns    |
|                          |   | 1.8V domain <sup>(5)</sup> | 36   |     | ns    |
| FreqMax <sub>I03</sub>   | Pin Group 3 <sup>(3)</sup> frequency              | 3.3V domain <sup>(4)</sup> |      | 30  | MHz   |
|                          |   | 1.8V domain <sup>(5)</sup> |      | 11  | MHz   |
| PulseminH <sub>I03</sub> | Pin Group 3 <sup>(3)</sup> High Level Pulse Width | 3.3V domain <sup>(4)</sup> | 16.6 |     | ns    |
|                          |   | 1.8V domain <sup>(5)</sup> | 45   |     | ns    |
| PulseminL <sub>I03</sub> | Pin Group 3 <sup>(3)</sup> Low Level Pulse Width  | 3.3V domain <sup>(4)</sup> | 16.6 |     | ns    |
|                          |   | 1.8V domain <sup>(5)</sup> | 45   |     | ns    |

- Notes:
1. Pin Group 1 = PA17 to PA20
  2. Pin Group 2 = PA4 to PA16 and PA21 to PA31 (PA21 to PA31 are not present on AT91SAM7S32)
  3. Pin Group 3 = PA0 to PA3
  4. 3.3V domain:  $V_{DDIO}$  from 3.0V to 3.6V, maximum external capacitor = 40pF
  5. 1.8V domain:  $V_{DDIO}$  from 1.65V to 1.95V, maximum external capacitor = 20pF

## 37.8 USB Transceiver Characteristics

### 37.8.1 Electrical Characteristics

**Table 37-16.** Electrical Parameters

| Symbol               | Parameter                                | Conditions  | Min | Typ | Max  | Unit     |
|----------------------|--|---|-----|-----|------|----------|
| <b>Input Levels</b>  |  |   |     |     |      |          |
| $V_{IL}$             | Low Level                                |   |     |     | 0.8  | V        |
| $V_{IH}$             | High Level                               |   | 2.0 |     |      | V        |
| $V_{DI}$             | Differential Input Sensitivity           | $ I(D+) - (D-) $  | 0.2 |     |      | V        |
| $V_{CM}$             | Differential Input Common Mode Range     |   | 0.8 |     | 2.5  | V        |
| $C_{IN}$             | Transceiver capacitance                  | Capacitance to ground on each line                          |     |     | 9.18 | pF       |
| $I$                  | Hi-Z State Data Line Leakage             | $0V < V_{IN} < 3.3V$  | -10 |     | +10  | $\mu A$  |
| $R_{EXT}$            | Recommended External USB Series Resistor | In series with each USB pin with $\pm 5\%$                  |     | 27  |      | $\Omega$ |
| <b>Output Levels</b> |  |   |     |     |      |          |
| $V_{OL}$             | Low Level Output                         | Measured with $R_L$ of 1.425 kOhm tied to 3.6V              | 0.0 |     | 0.3  | V        |
| $V_{OH}$             | High Level Output                        | Measured with $R_L$ of 14.25 kOhm tied to GND               | 2.8 |     | 3.6  | V        |
| $V_{CRS}$            | Output Signal Crossover Voltage          | Measure conditions described in <a href="#">Figure 37-3</a> | 1.3 |     | 2.0  | V        |
| <b>Consumption</b>   |  |   |     |     |      |          |
| $I_{VDDIO}$          | Current Consumption                      | Transceiver enabled in input mode<br>DDP=1 and DDM=0        |     | 105 | 200  | $\mu A$  |
| $I_{VDDCORE}$        | Current Consumption                      |   |     | 80  | 150  | $\mu A$  |

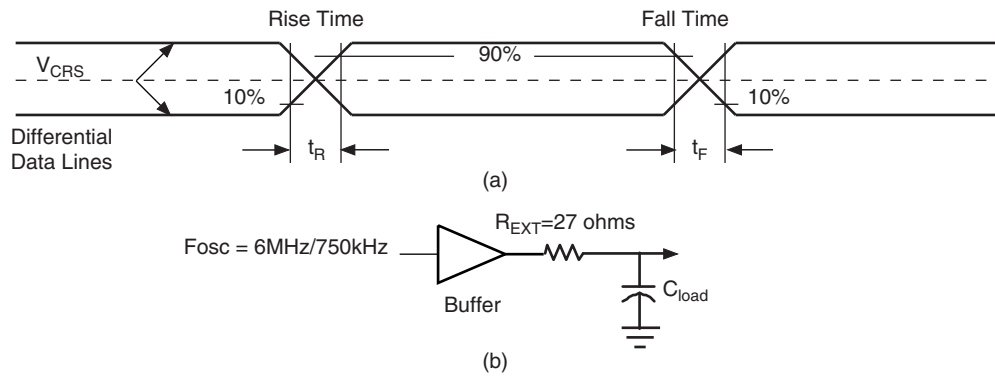
### 37.8.2 Switching Characteristics

**Table 37-17.** In Full Speed

| Symbol     | Parameter               | Conditions         | Min | Typ | Max    | Unit |
|------------|-------------------------|--------------------|-----|-----|--------|------|
| $t_{FR}$   | Transition Rise Time    | $C_{LOAD} = 50$ pF | 4   |     | 20     | ns   |
| $t_{FE}$   | Transition Fall Time    | $C_{LOAD} = 50$ pF | 4   |     | 20     | ns   |
| $t_{FRFM}$ | Rise/Fall time Matching |                    | 90  |     | 111.11 | %    |



**Figure 37-3.** USB Data Signal Rise and Fall Times



## 37.9 ADC Characteristics

**Table 37-18.** Channel Conversion Time and ADC Clock

| Parameter                       | Conditions             | Min | Typ | Max                | Units |
|---------------------------------|------------------------|-----|-----|--------------------|-------|
| ADC Clock Frequency             | 10-bit resolution mode |     |     | 5                  | MHz   |
| ADC Clock Frequency             | 8-bit resolution mode  |     |     | 8                  | MHz   |
| Startup Time                    | Return from Idle Mode  |     |     | 20                 | μs    |
| Track and Hold Acquisition Time |                        | 600 |     |                    | ns    |
| Conversion Time                 | ADC Clock = 5 MHz      |     |     | 2                  | μs    |
| Conversion Time                 | ADC Clock = 8 MHz      |     |     | 1.25               | μs    |
| Throughput Rate                 | ADC Clock = 5 MHz      |     |     | 384 <sup>(1)</sup> | kSPS  |
| Throughput Rate                 | ADC Clock = 8 MHz      |     |     | 533 <sup>(2)</sup> | kSPS  |

Notes: 1. Corresponds to 13 clock cycles at 5 MHz: 3 clock cycles for track and hold acquisition time and 10 clock cycles for conversion.  
 2. Corresponds to 15 clock cycles at 8 MHz: 5 clock cycles for track and hold acquisition time and 10 clock cycles for conversion.

**Table 37-19.** External Voltage Reference Input

| Parameter                    | Conditions                           | Min | Typ  | Max               | Units |
|------------------------------|--------------------------------------|-----|------|-------------------|-------|
| ADVREF Input Voltage Range   |                                      | 2.6 |      | V <sub>DDIN</sub> | V     |
| ADVREF Input Voltage Range   | 8-bit resolution mode                | 2.5 |      | V <sub>DDIN</sub> | V     |
| ADVREF Average Current       | On 13 samples with ADC Clock = 5 MHz |     | 200  | 250               | μA    |
| Current Consumption on VDDIN |                                      |     | 0.55 | 1                 | mA    |

**Table 37-20.** Analog Inputs

| Parameter             | Min | Typ | Max                 | Units |
|-----------------------|-----|-----|---------------------|-------|
| Input Voltage Range   | 0   |     | V <sub>ADVREF</sub> |       |
| Input Leakage Current |     | 1   |                     | μA    |
| Input Capacitance     |     | 12  | 14                  | pF    |

The user can drive ADC input with impedance up to:

- $Z_{OUT} \leq (\text{SHTIM} - 470) \times 10$  in 8-bit resolution mode
- $Z_{OUT} \leq (\text{SHTIM} - 589) \times 7.69$  in 10-bit resolution mode

with SHTIM (Sample and Hold Time register) expressed in ns and  $Z_{OUT}$  expressed in ohms.

**Table 37-21.** Transfer Characteristics

| Parameter                  | Conditions      | Min | Typ | Max | Units |
|----------------------------|-----------------|-----|-----|-----|-------|
| Resolution                 |                 |     | 10  |     | Bit   |
| Integral Non-linearity     |                 |     |     | ±2  | LSB   |
| Differential Non-linearity | No missing code |     |     | ±1  | LSB   |

**Table 37-21.** Transfer Characteristics (Continued)

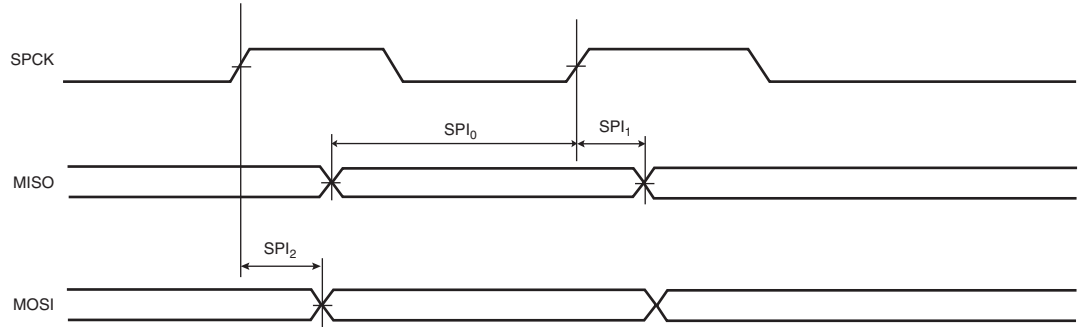
| Parameter         | Conditions | Min | Typ | Max | Units |
|-------------------|------------|-----|-----|-----|-------|
| Offset Error      |            |     |     | ±2  | LSB   |
| Gain Error        |            |     |     | ±2  | LSB   |
| Absolute Accuracy |            |     |     | ±4  | LSB   |

For more information on data converter terminology, please refer to the application note: [Data Converter Terminology, Atmel lit° 6022](#).

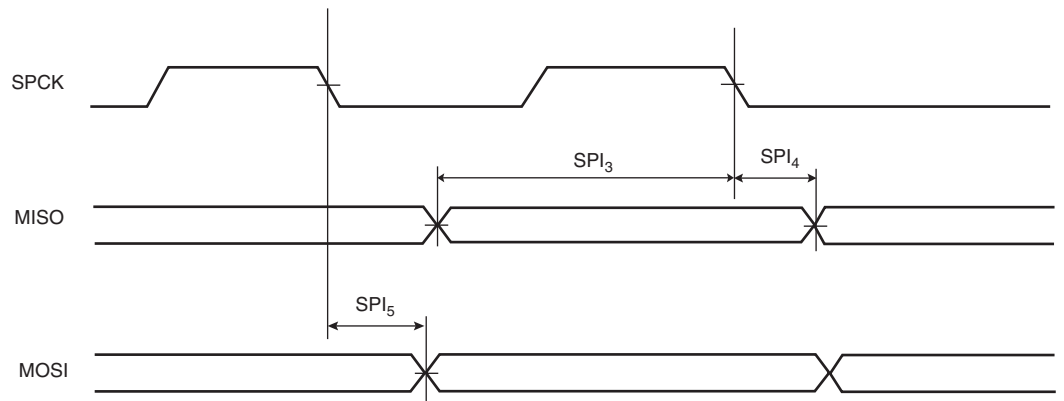
## 37.10 AC Characteristics

### 37.10.1 SPI Characteristics

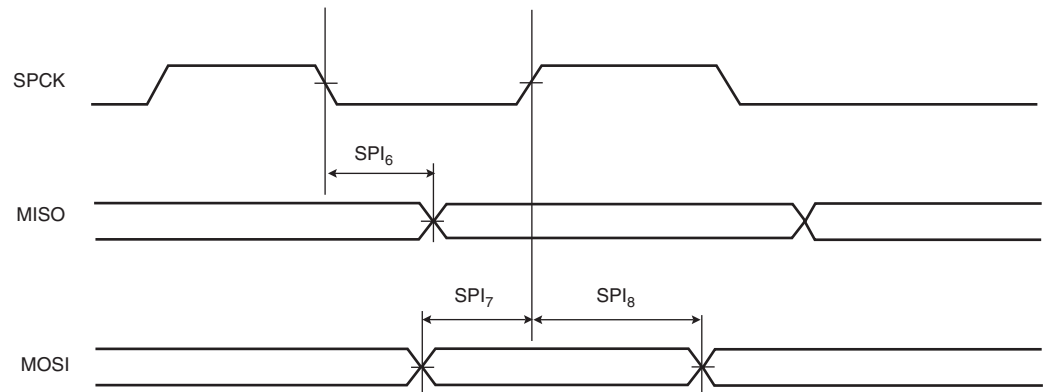
**Figure 37-4.** SPI Master mode with (CPOL = NCPHA = 0) or (CPOL= NCPHA= 1)



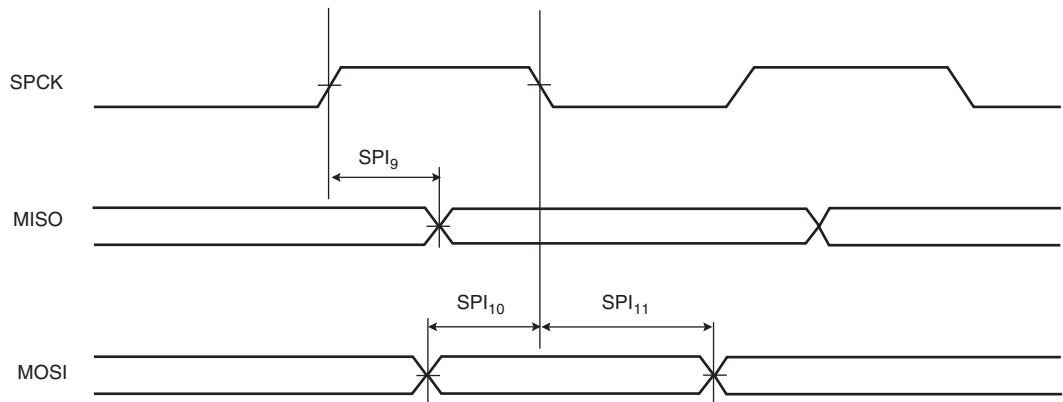
**Figure 37-5.** SPI Master mode with (CPOL=0 and NCPHA=1) or (CPOL=1 and NCPHA=0)



**Figure 37-6.** SPI Slave mode with (CPOL=0 and NCPHA=1) or (CPOL=1 and NCPHA=0)



**Figure 37-7.** SPI Slave mode with (CPOL = NCPHA = 0) or (CPOL= NCPHA= 1)



**Table 37-22.** SPI Timings

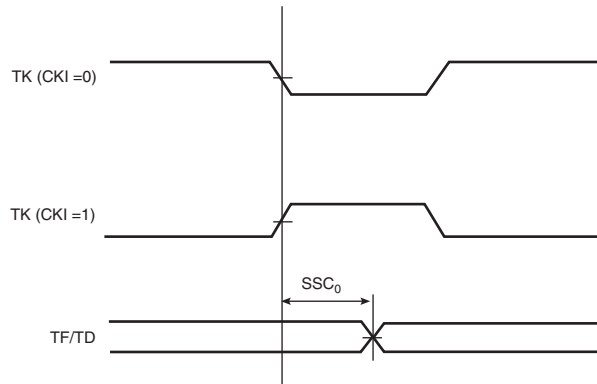
| Symbol            | Parameter                                  | Conditions                 | Min   | Max | Units |
|-------------------|--|----------------------------|---|-----|-------|
| SPI <sub>0</sub>  | MISO Setup time before SPCK rises (master) | 3.3V domain <sup>(1)</sup> | 28.5 + (t <sub>CPMCK</sub> )/2 <sup>(3)</sup> |     | ns    |
|                   |  | 1.8V domain <sup>(2)</sup> | 38 + (t <sub>CPMCK</sub> )/2 <sup>(3)</sup>   |     | ns    |
| SPI <sub>1</sub>  | MISO Hold time after SPCK rises (master)   | 3.3V domain <sup>(1)</sup> | 0   |     | ns    |
|                   |  | 1.8V domain <sup>(2)</sup> | 0   |     | ns    |
| SPI <sub>2</sub>  | SPCK rising to MOSI Delay (master)         | 3.3V domain <sup>(1)</sup> |   | 2   | ns    |
|                   |  | 1.8V domain <sup>(2)</sup> |   | 7   | ns    |
| SPI <sub>3</sub>  | MISO Setup time before SPCK falls (master) | 3.3V domain <sup>(1)</sup> | 26.5 + (t <sub>CPMCK</sub> )/2 <sup>(3)</sup> |     | ns    |
|                   |  | 1.8V domain <sup>(2)</sup> | 44 + (t <sub>CPMCK</sub> )/2 <sup>(3)</sup>   |     | ns    |
| SPI <sub>4</sub>  | MISO Hold time after SPCK falls (master)   | 3.3V domain <sup>(1)</sup> | 0   |     | ns    |
|                   |  | 1.8V domain <sup>(2)</sup> | 0   |     | ns    |
| SPI <sub>5</sub>  | SPCK falling to MOSI Delay (master)        | 3.3V domain <sup>(1)</sup> |   | 2   | ns    |
|                   |  | 1.8V domain <sup>(2)</sup> |   | 2.5 | ns    |
| SPI <sub>6</sub>  | SPCK falling to MISO Delay (slave)         | 3.3V domain <sup>(1)</sup> |   | 28  | ns    |
|                   |  | 1.8V domain <sup>(2)</sup> |   | 44  | ns    |
| SPI <sub>7</sub>  | MOSI Setup time before SPCK rises (slave)  | 3.3V domain <sup>(1)</sup> | 2   |     | ns    |
|                   |  | 1.8V domain <sup>(2)</sup> | 3   |     | ns    |
| SPI <sub>8</sub>  | MOSI Hold time after SPCK rises (slave)    | 3.3V domain <sup>(1)</sup> | 3   |     | ns    |
|                   |  | 1.8V domain <sup>(2)</sup> | 2   |     | ns    |
| SPI <sub>9</sub>  | SPCK rising to MISO Delay (slave)          | 3.3V domain <sup>(1)</sup> |   | 28  | ns    |
|                   |  | 1.8V domain <sup>(2)</sup> |   | 43  | ns    |
| SPI <sub>10</sub> | MOSI Setup time before SPCK falls (slave)  | 3.3V domain <sup>(1)</sup> | 3   |     | ns    |
|                   |  | 1.8V domain <sup>(2)</sup> | 3   |     | ns    |
| SPI <sub>11</sub> | MOSI Hold time after SPCK falls (slave)    | 3.3V domain <sup>(1)</sup> | 3   |     | ns    |
|                   |  | 1.8V domain <sup>(2)</sup> | 2   |     | ns    |

- Notes:
- 3.3V domain: V<sub>VDDIO</sub> from 3.0V to 3.6V, maximum external capacitor = 40 pF.
  - 1.8V domain: V<sub>VDDIO</sub> from 1.65V to 1.95V, maximum external capacitor = 20 pF.
  - t<sub>CPMCK</sub>: Master Clock period in ns.

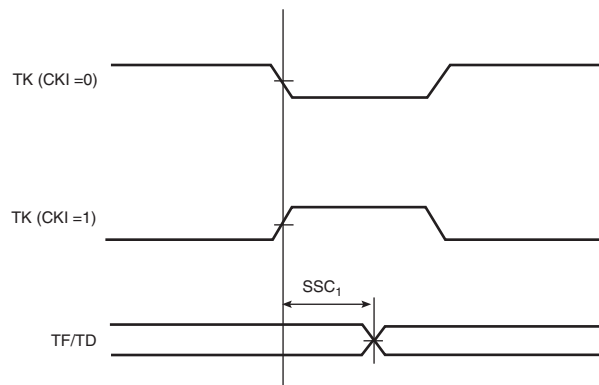
Note that in SPI master mode the ATSAM7S512/256/128/64/321/32 does not sample the data (MISO) on the opposite edge where data clocks out (MOSI) but the same edge is used as shown in [Figure 37-4](#) and [Figure 37-5](#).

### 37.10.2 SSC Characteristics

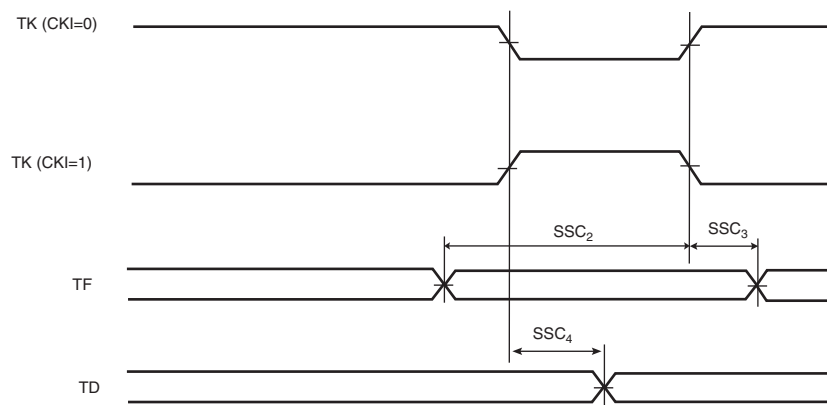
**Figure 37-8.** SSC Transmitter, TK and TF in output



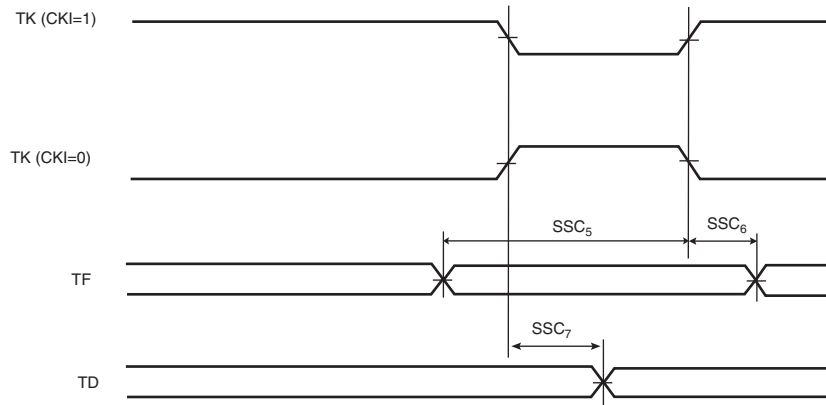
**Figure 37-9.** SSC Transmitter, TK in input and TF in output



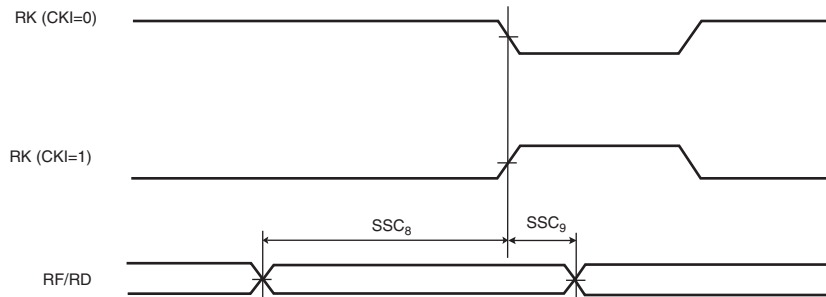
**Figure 37-10.** SSC Transmitter, TK in output and TF in input



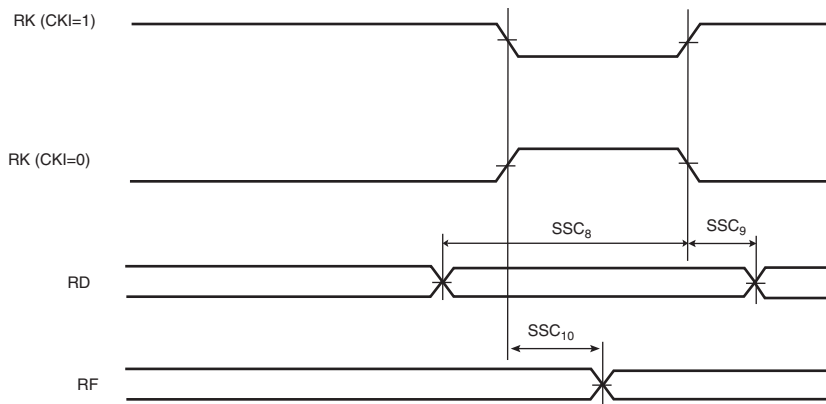
**Figure 37-11. SSC Transmitter, TK and TF in input**



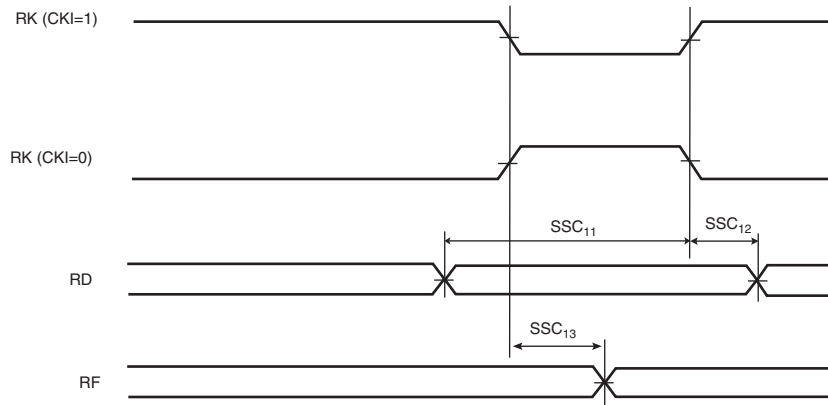
**Figure 37-12. SSC Receiver RK and RF in input**



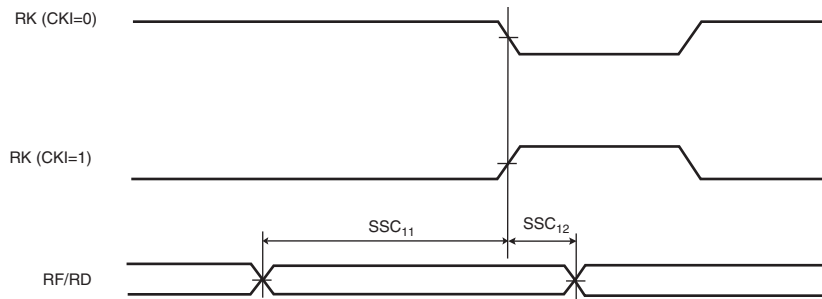
**Figure 37-13. SSC Receiver, RK in input and RF in output**



**Figure 37-14. SSC Receiver, RK and RF in output**



**Figure 37-15. SSC Receiver, RK in output and RF in input**



**Table 37-23. SSC Timings**

| Symbol                          | Parameter                                | Conditions  | Min  | Max  | Units |
|---------------------------------|--|-------------|--|--|-------|
| <b>Transmitter</b>              |  |             |  |  |       |
| SSC <sub>0</sub>                | TK edge to TF/TD (TK output, TF output)  | 3.3V domain | 0 <sup>(2)</sup>                             | 12.5 <sup>(2)</sup>                            | ns    |
|                                 |  | 1.8V domain | 0 <sup>(2)</sup>                             | 31 <sup>(2)</sup>                              | ns    |
| SSC <sub>1</sub>                | TK edge to TF/TD (TK input, TF output)   | 3.3V domain | 5.5 <sup>(2)</sup>                           | 29.5 <sup>(2)</sup>                            | ns    |
|                                 |  | 1.8V domain | 6.5 <sup>(2)</sup>                           | 56 <sup>(2)</sup>                              | ns    |
| SSC <sub>2</sub>                | TF setup time before TK edge (TK output) | 3.3V domain | 17 - t <sub>CPMCK</sub>                      |  | ns    |
|                                 |  | 1.8V domain | 24.5 - t <sub>CPMCK</sub>                    |  | ns    |
| SSC <sub>3</sub>                | TF hold time after TK edge (TK output)   | 3.3V domain | t <sub>CPMCK</sub> - 5                       |  | ns    |
|                                 |  | 1.8V domain | t <sub>CPMCK</sub> - 6                       |  | ns    |
| SSC <sub>4</sub> <sup>(1)</sup> | TK edge to TF/TD (TK output, TF input)   | 3.3V domain | 0 (+2*t <sub>CPMCK</sub> ) <sup>(1)(2)</sup> | 12.5(+2*t <sub>CPMCK</sub> ) <sup>(1)(2)</sup> | ns    |
|                                 |  | 1.8V domain | 2(+2*t <sub>CPMCK</sub> ) <sup>(1)(2)</sup>  | 31(+2*t <sub>CPMCK</sub> ) <sup>(1)(2)</sup>   | ns    |
| SSC <sub>5</sub>                | TF setup time before TK edge (TK input)  | 3.3V domain | 0  |  | ns    |
|                                 |  | 1.8V domain | 0  |  | ns    |

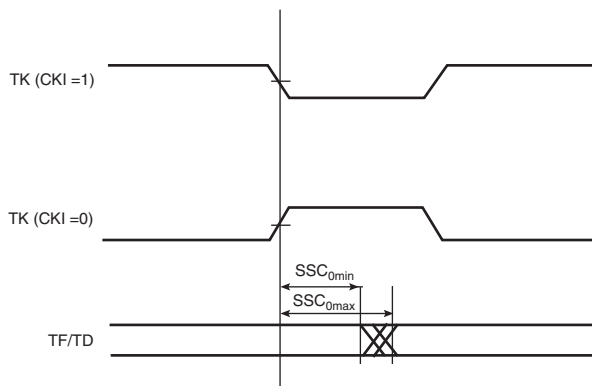


**Table 37-23. SSC Timings (Continued)**

| Symbol                          | Parameter                                   | Conditions  | Min                          | Max                            | Units |
|---------------------------------|---|-------------|------------------------------|--------------------------------|-------|
| SSC <sub>6</sub>                | TF hold time after TK edge (TK input)       | 3.3V domain | $t_{CPMCK}$                  |                                | ns    |
|                                 |   | 1.8V domain | $t_{CPMCK}$                  |                                | ns    |
| SSC <sub>7</sub> <sup>(1)</sup> | TK edge to TF/TD (TK inout, TF input)       | 3.3V domain | $6 (+3*t_{CPMCK})^{(1)(2)}$  | $29.5 (+3*t_{CPMCK})^{(1)(2)}$ | ns    |
|                                 |   | 1.8V domain | $10 (+3*t_{CPMCK})^{(1)(2)}$ | $56 (+3*t_{CPMCK})^{(1)(2)}$   | ns    |
| <b>Receiver</b>                 |   |             |                              |                                |       |
| SSC <sub>8</sub>                | RF/RD setup time before RK edge (RK input)  | 3.3V domain | 0                            |                                | ns    |
|                                 |   | 1.8V domain | 0                            |                                | ns    |
| SSC <sub>9</sub>                | RF/RD hold time after RK edge (RK input)    | 3.3V domain | $t_{CPMCK}$                  |                                | ns    |
|                                 |   | 1.8V domain | $t_{CPMCK}$                  |                                | ns    |
| SSC <sub>10</sub>               | RK edge to RF (RK input)                    | 3.3V domain | $6^{(2)}$                    | $27^{(2)}$                     | ns    |
|                                 |   | 1.8V domain | $10.5^{(2)}$                 | $58^{(2)}$                     | ns    |
| SSC <sub>11</sub>               | RF/RD setup time before RK edge (RK output) | 3.3V domain | $26 - t_{CPMCK}$             |                                | ns    |
|                                 |   | 1.8V domain | $56.5 - t_{CPMCK}$           |                                | ns    |
| SSC <sub>12</sub>               | RF/RD hold time after RK edge (RK output)   | 3.3V domain | $t_{CPMCK} - 10$             |                                | ns    |
|                                 |   | 1.8V domain | $t_{CPMCK} - 5.5$            |                                | ns    |
| SSC <sub>13</sub>               | RK edge to RF (RK output)                   | 3.3V domain | $0^{(2)}$                    | $4^{(2)}$                      | ns    |
|                                 |   | 1.8V domain | $0^{(2)}$                    | $12^{(2)}$                     | ns    |

- Notes:
1. Timings SSC4 and SSC7 depend on the start condition. When STTDLY = 0 (Receive start delay) and START = 4, or 5 or 7 (Receive Start Selection), two Periods of the MCK must be added to timings.
  2. For output signals (TF, TD, RF), Min and Max access times are defined. The Min access time is the time between the TK (or RK) edge and the signal change. The Max access timing is the time between the TK edge and the signal stabilization. [Figure 37-16](#) illustrates Min and Max accesses for SSC0. The same applies for SSC1, SSC4, and SSC7, SSC10 and SSC13.
  3. 3.3V domain:  $V_{VDDIO}$  from 3.0V to 3.6V, maximum external capacitor = 40 pF.
  4. 1.8V domain:  $V_{VDDIO}$  from 1.65V to 1.95V, maximum external capacitor = 20 pF.
  5.  $t_{CPMCK}$ : Master Clock period in ns

**Figure 37-16. Min and Max access time of output signals**



### 37.10.3 Embedded Flash Characteristics

The maximum operating frequency is given in [Table 37-24](#) but is limited by the Embedded Flash access time when the processor is fetching code out of it. [Table 37-24](#) gives the device maximum operating frequency depending on the FWS field of the MC\_FMR register. This field defines the number of wait states required to access the Embedded Flash Memory.

**Table 37-24.** Embedded Flash Wait States

| FWS <sup>(1)</sup> | Read Operations | Maximum Operating Frequency (MHz) |
|--------------------|-----------------|-----------------------------------|
| 0                  | 1 cycle         | 30                                |
| 1                  | 2 cycles        | 55                                |
| 2 <sup>(2)</sup>   | 3 cycles        | 55                                |
| 3 <sup>(2)</sup>   | 4 cycles        | 55                                |

Notes: 1. FWS = Flash Wait States

2. It is not necessary to use 2 or 3 wait states because the flash can operate at maximum frequency with only 1 wait state.

**Table 37-25.** AC Flash Characteristics

| Parameter          | Conditions                    | Min | Max | Units |
|--------------------|-------------------------------|-----|-----|-------|
| Program Cycle Time | per page including auto-erase |     | 6   | ms    |
|                    | per page without auto-erase   |     | 3   | ms    |
| Full Chip Erase    |                               | 15  |     | ms    |

## 37.10.4 JTAG/ICE Timings

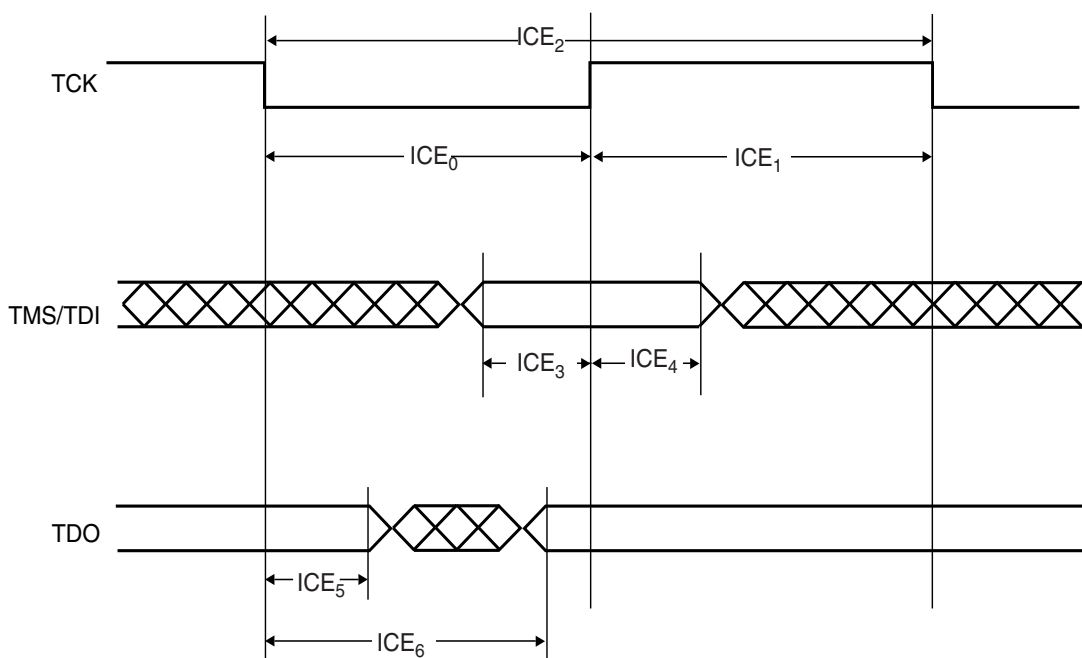
### 37.10.4.1 ICE Interface Signals

**Table 37-26.** ICE Interface Timing Specification

| Symbol           | Parameter                       | Conditions | Min | Max | Units |
|------------------|---------------------------------|------------|-----|-----|-------|
| ICE <sub>0</sub> | TCK Low Half-period             | (1)        | 51  |     | ns    |
| ICE <sub>1</sub> | TCK High Half-period            | (1)        | 51  |     | ns    |
| ICE <sub>2</sub> | TCK Period                      | (1)        | 102 |     | ns    |
| ICE <sub>3</sub> | TDI, TMS, Setup before TCK High | (1)        | 0   |     | ns    |
| ICE <sub>4</sub> | TDI, TMS, Hold after TCK High   | (1)        | 3   |     | ns    |
| ICE <sub>5</sub> | TDO Hold Time                   | (1)        | 13  |     | ns    |
| ICE <sub>6</sub> | TCK Low to TDO Valid            | (1)        |     | 20  | ns    |

Note: 1. V<sub>VDDIO</sub> from 3.0V to 3.6V, maximum external capacitor = 40pF

**Figure 37-17.** ICE Interface Signals



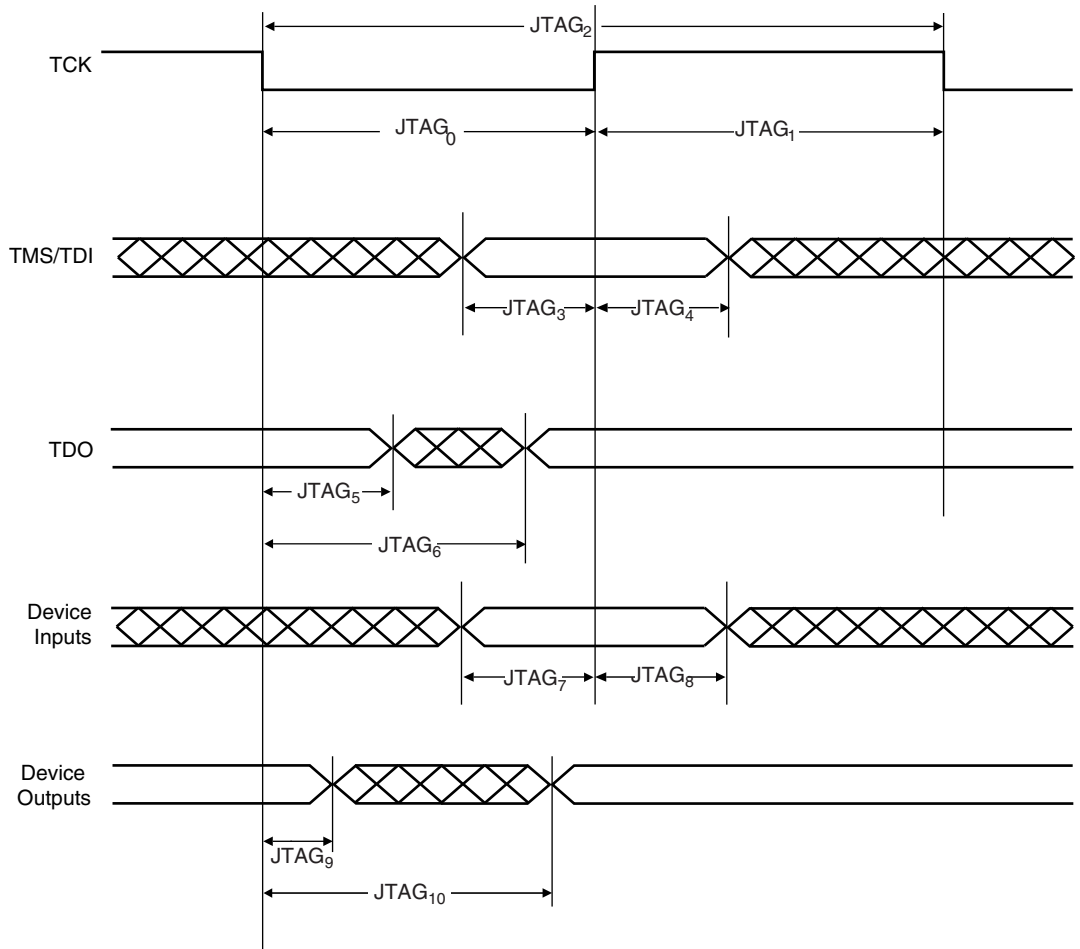
### 37.10.4.2 JTAG Interface Signals

**Table 37-27.** JTAG Interface Timing Specification

| Symbol             | Parameter                      | Conditions | Min | Max | Units |
|--------------------|--------------------------------|------------|-----|-----|-------|
| JTAG <sub>0</sub>  | TCK Low Half-period            | (1)        | 6.5 |     | ns    |
| JTAG <sub>1</sub>  | TCK High Half-period           | (1)        | 5.5 |     | ns    |
| JTAG <sub>2</sub>  | TCK Period                     | (1)        | 12  |     | ns    |
| JTAG <sub>3</sub>  | TDI, TMS Setup before TCK High | (1)        | 2   |     | ns    |
| JTAG <sub>4</sub>  | TDI, TMS Hold after TCK High   | (1)        | 3   |     | ns    |
| JTAG <sub>5</sub>  | TDO Hold Time                  | (1)        | 4   |     | ns    |
| JTAG <sub>6</sub>  | TCK Low to TDO Valid           | (1)        |     | 16  | ns    |
| JTAG <sub>7</sub>  | Device Inputs Setup Time       | (1)        | 0   |     | ns    |
| JTAG <sub>8</sub>  | Device Inputs Hold Time        | (1)        | 3   |     | ns    |
| JTAG <sub>9</sub>  | Device Outputs Hold Time       | (1)        | 6   |     | ns    |
| JTAG <sub>10</sub> | TCK to Device Outputs Valid    | (1)        |     | 18  | ns    |

Note: 1.  $V_{DDIO}$  from 3.0V to 3.6V, maximum external capacitor = 40pF

**Figure 37-18.** JTAG Interface Signals



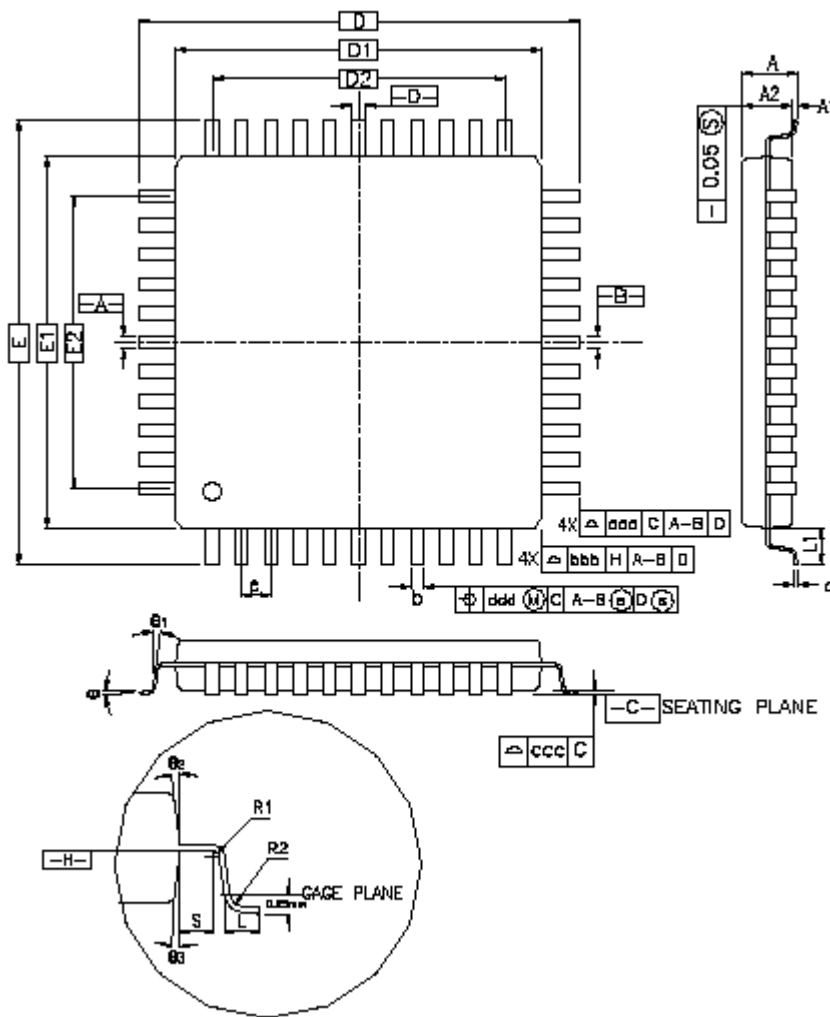
### 38. Mechanical Characteristics

#### 38.1 Package Drawings

The SAM7S series devices are available in LQFP and QFN package types.

#### 38.2 LQFP Packages

Figure 38-1. 64- and 48-lead LQFP Package Drawing



**Table 38-1.** 48-lead LQFP Package Dimensions (in mm)

| Symbol                          | Millimeter |      |      | Inch       |       |       |
|---------------------------------|------------|------|------|------------|-------|-------|
|                                 | Min        | Nom  | Max  | Min        | Nom   | Max   |
| A                               | –          | –    | 1.60 | –          | –     | 0.063 |
| A1                              | 0.05       | –    | 0.15 | 0.002      | –     | 0.006 |
| A2                              | 1.35       | 1.40 | 1.45 | 0.053      | 0.055 | 0.057 |
| D                               | 9.00 BSC   |      |      | 0.354 BSC  |       |       |
| D1                              | 7.00 BSC   |      |      | 0.276 BSC  |       |       |
| E                               | 9.00 BSC   |      |      | 0.354 BSC  |       |       |
| E1                              | 7.00 BSC   |      |      | 0.276 BSC  |       |       |
| R2                              | 0.08       | –    | 0.20 | 0.003      | –     | 0.008 |
| R1                              | 0.08       | –    | –    | 0.003      | –     | –     |
| q                               | 0°         | 3.5° | 7°   | 0°         | 3.5°  | 7°    |
| $\theta_1$                      | 0°         | –    | –    | 0°         | –     | –     |
| $\theta_2$                      | 11°        | 12°  | 13°  | 11°        | 12°   | 13°   |
| $\theta_3$                      | 11°        | 12°  | 13°  | 11°        | 12°   | 13°   |
| c                               | 0.09       | –    | 0.20 | 0.004      | –     | 0.008 |
| L                               | 0.45       | 0.60 | 0.75 | 0.018      | 0.024 | 0.030 |
| L1                              | 1.00 REF   |      |      | 0.039 REF  |       |       |
| S                               | 0.20       | –    | –    | 0.008      | –     | –     |
| b                               | 0.17       | 0.20 | 0.27 | 0.007      | 0.008 | 0.011 |
| e                               | 0.50 BSC.  |      |      | 0.020 BSC. |       |       |
| D2                              | 5.50       |      |      | 0.217      |       |       |
| E2                              | 5.50       |      |      | 0.217      |       |       |
| Tolerances of Form and Position |            |      |      |            |       |       |
| aaa                             | 0.20       |      |      | 0.008      |       |       |
| bbb                             | 0.20       |      |      | 0.008      |       |       |
| ccc                             | 0.08       |      |      | 0.003      |       |       |
| ddd                             | 0.08       |      |      | 0.003      |       |       |

**Table 38-2.** 64-lead LQFP Package Dimensions (in mm)

| Symbol                          | Millimeter |      |      | Inch       |       |       |
|---------------------------------|------------|------|------|------------|-------|-------|
|                                 | Min        | Nom  | Max  | Min        | Nom   | Max   |
| A                               | –          | –    | 1.60 | –          | –     | 0.063 |
| A1                              | 0.05       | –    | 0.15 | 0.002      | –     | 0.006 |
| A2                              | 1.35       | 1.40 | 1.45 | 0.053      | 0.055 | 0.057 |
| D                               | 12.00 BSC  |      |      | 0.472 BSC  |       |       |
| D1                              | 10.00 BSC  |      |      | 0.383 BSC  |       |       |
| E                               | 12.00 BSC  |      |      | 0.472 BSC  |       |       |
| E1                              | 10.00 BSC  |      |      | 0.383 BSC  |       |       |
| R2                              | 0.08       | –    | 0.20 | 0.003      | –     | 0.008 |
| R1                              | 0.08       | –    | –    | 0.003      | –     | –     |
| q                               | 0°         | 3.5° | 7°   | 0°         | 3.5°  | 7°    |
| $\theta_1$                      | 0°         | –    | –    | 0°         | –     | –     |
| $\theta_2$                      | 11°        | 12°  | 13°  | 11°        | 12°   | 13°   |
| $\theta_3$                      | 11°        | 12°  | 13°  | 11°        | 12°   | 13°   |
| c                               | 0.09       | –    | 0.20 | 0.004      | –     | 0.008 |
| L                               | 0.45       | 0.60 | 0.75 | 0.018      | 0.024 | 0.030 |
| L1                              | 1.00 REF   |      |      | 0.039 REF  |       |       |
| S                               | 0.20       | –    | –    | 0.008      | –     | –     |
| b                               | 0.17       | 0.20 | 0.27 | 0.007      | 0.008 | 0.011 |
| e                               | 0.50 BSC.  |      |      | 0.020 BSC. |       |       |
| D2                              | 7.50       |      |      | 0.285      |       |       |
| E2                              | 7.50       |      |      | 0.285      |       |       |
| Tolerances of Form and Position |            |      |      |            |       |       |
| aaa                             | 0.20       |      |      | 0.008      |       |       |
| bbb                             | 0.20       |      |      | 0.008      |       |       |
| ccc                             | 0.08       |      |      | 0.003      |       |       |
| ddd                             | 0.08       |      |      | 0.003      |       |       |

**Table 38-3.** Device and LQFP Package Maximum Weight

|                           |     |    |
|---------------------------|-----|----|
| AT91SAM7S64/321/32/161/16 | 700 | mg |
| AT91SAM7S512/256/128      | 750 | mg |

**Table 38-4.** LQFP Package Reference

|                         |        |
|-------------------------|--------|
| JEDEC Drawing Reference | MS-026 |
| JESD97 Classification   | e3     |

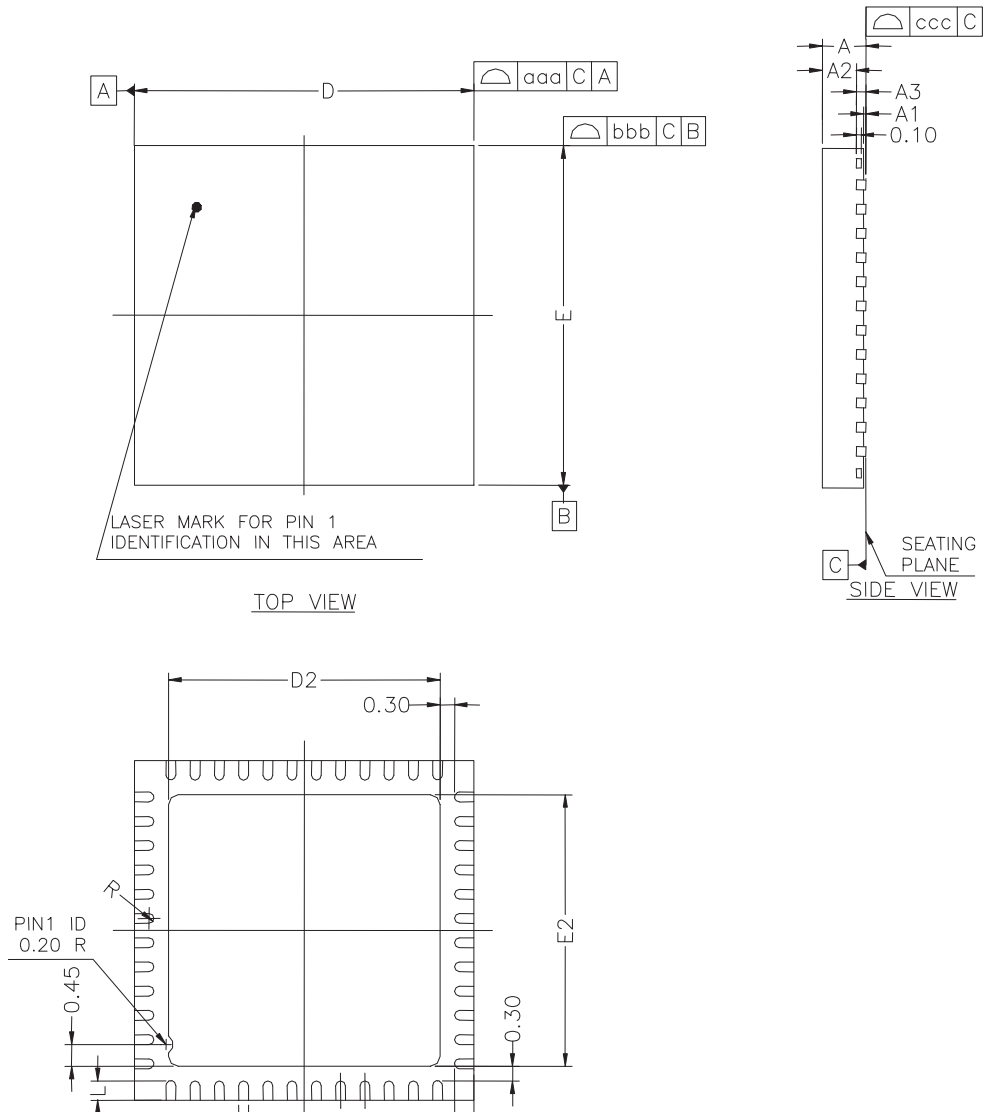
**Table 38-5.** LQFP and QFN Package Characteristics

|                            |   |
|----------------------------|---|
| Moisture Sensitivity Level | 3 |
|----------------------------|---|

This package respects the recommendations of the NEMI User Group.

### 38.3 QFN Packages

Figure 38-2. 48-pad QFN Package

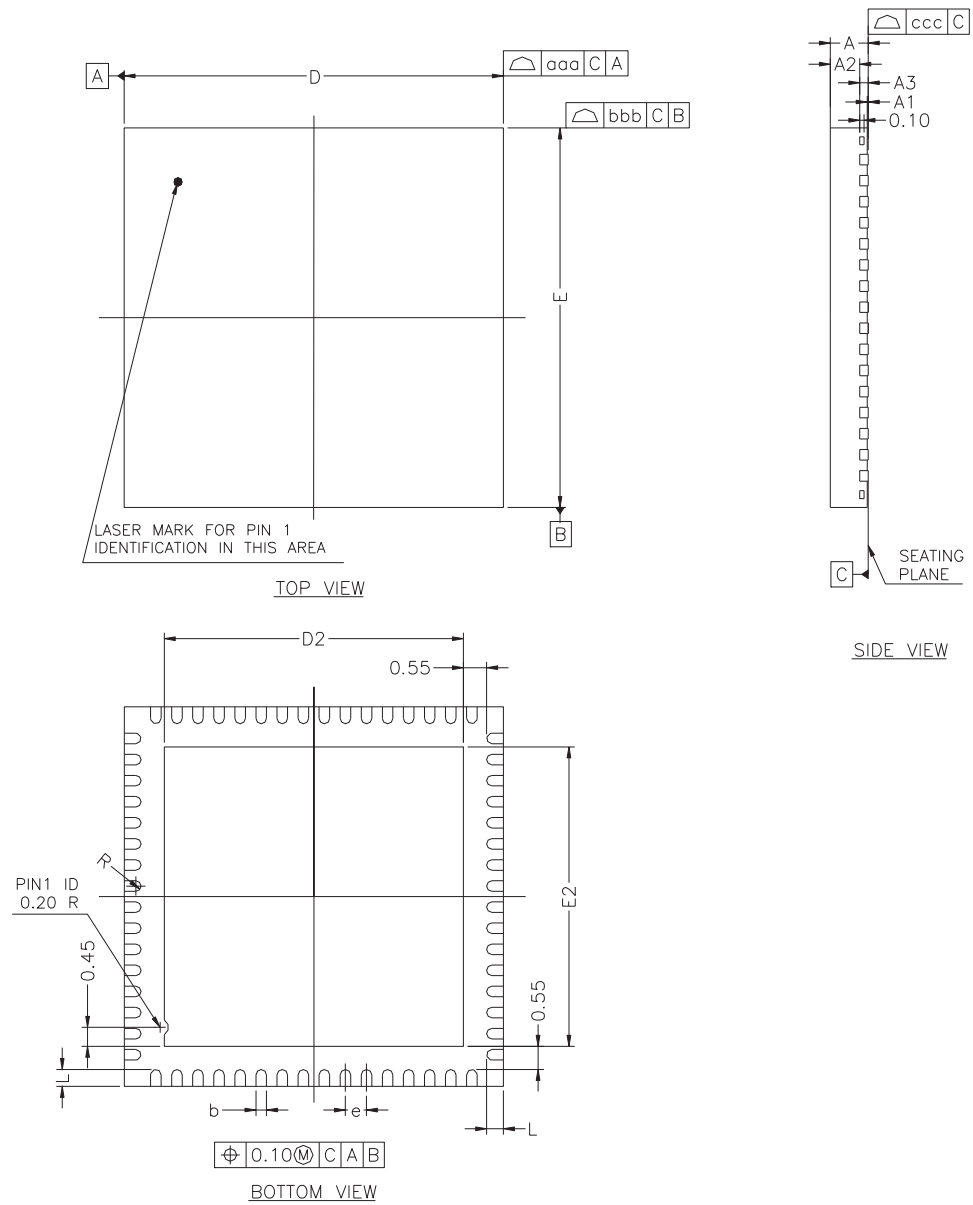




**Table 38-6.** 48-pad QFN Package Dimensions (in mm)

| Symbol                          | Millimeter |      |       | Inch      |       |       |
|---------------------------------|------------|------|-------|-----------|-------|-------|
|                                 | Min        | Nom  | Max   | Min       | Nom   | Max   |
| A                               | –          | –    | 0.90  | –         | –     | 0.035 |
| A1                              | –          | –    | 0.050 | –         | –     | 0.002 |
| A2                              | –          | 0.65 | 0.70  | –         | 0.026 | 0.028 |
| A3                              | 0.20 REF   |      |       | 0.008 REF |       |       |
| b                               | 0.18       | 0.20 | 0.23  | 0.007     | 0.008 | 0.009 |
| D                               | 7.00 bsc   |      |       | 0.276 bsc |       |       |
| D2                              | 5.45       | 5.60 | 5.75  | 0.215     | 0.220 | 0.226 |
| E                               | 7.00 bsc   |      |       | 0.276 bsc |       |       |
| E2                              | 5.45       | 5.60 | 5.75  | 0.215     | 0.220 | 0.226 |
| L                               | 0.35       | 0.40 | 0.45  | 0.014     | 0.016 | 0.018 |
| e                               | 0.50 bsc   |      |       | 0.020 bsc |       |       |
| R                               | 0.09       | –    | –     | 0.004     | –     | –     |
| Tolerances of Form and Position |            |      |       |           |       |       |
| aaa                             | 0.10       |      |       | 0.004     |       |       |
| bbb                             | 0.10       |      |       | 0.004     |       |       |
| ccc                             | 0.05       |      |       | 0.002     |       |       |

**Figure 38-3. 64-pad QFN Package Drawing**



**Table 38-7.** 64-pad QFN Package Dimensions (in mm)

| Symbol                          | Millimeter |      |      | Inch      |       |       |
|---------------------------------|------------|------|------|-----------|-------|-------|
|                                 | Min        | Nom  | Max  | Min       | Nom   | Max   |
| A                               | –          | –    | 0.90 | –         | –     | 0.035 |
| A1                              | –          | –    | 0.05 | –         | –     | 0.001 |
| A2                              | –          | 0.65 | 0.70 | –         | 0.026 | 0.028 |
| A3                              | 0.20 REF   |      |      | 0.008 REF |       |       |
| b                               | 0.23       | 0.25 | 0.28 | 0.009     | 0.010 | 0.011 |
| D                               | 9.00 bsc   |      |      | 0.354 bsc |       |       |
| D2                              | 6.95       | 7.10 | 7.25 | 0.274     | 0.280 | 0.285 |
| E                               | 9.00 bsc   |      |      | 0.354 bsc |       |       |
| E2                              | 6.95       | 7.10 | 7.25 | 0.274     | 0.280 | 0.285 |
| L                               | 0.35       | 0.40 | 0.45 | 0.014     | 0.016 | 0.018 |
| e                               | 0.50 bsc   |      |      | 0.020 bsc |       |       |
| R                               | 0.125      | –    | –    | 0.0005    | –     | –     |
| Tolerances of Form and Position |            |      |      |           |       |       |
| aaa                             | 0.10       |      |      | 0.004     |       |       |
| bbb                             | 0.10       |      |      | 0.004     |       |       |
| ccc                             | 0.05       |      |      | 0.002     |       |       |

**Table 38-8.** Device and QFN Package Maximum Weight (Preliminary)

|                             |     |    |
|-----------------------------|-----|----|
| AT91SAM7S32/161/16          | 200 | mg |
| AT91SAM7S512/256/128/64/321 | 280 | mg |

**Table 38-9.** QFN Package Reference

|                         |        |
|-------------------------|--------|
| JEDEC Drawing Reference | MO-220 |
| JESD97 Classification   | e3     |

**Table 38-10.** QFN Package Characteristics

|                            |   |
|----------------------------|---|
| Moisture Sensitivity Level | 3 |
|----------------------------|---|

This package respects the recommendations of the NEMI User Group.

## 38.4 Soldering Profile

Table 38-11 gives the recommended soldering profile from J-STD-020C.

**Table 38-11.** Soldering Profile

| Profile Feature                             | Green Package       |
|---|---------------------|
| Average Ramp-up Rate (217°C to Peak)        | 3° C/sec. max.      |
| Preheat Temperature 175°C ±25°C             | 180 sec. max.       |
| Temperature Maintained Above 217°C          | 60 sec. to 150 sec. |
| Time within 5° C of Actual Peak Temperature | 20 sec. to 40 sec.  |
| Peak Temperature Range                      | 260° C              |
| Ramp-down Rate                              | 6° C/sec. max.      |
| Time 25° C to Peak Temperature              | 8 min. max.         |

Note: The package is certified to be backward compatible with Pb/Sn soldering profile.

A maximum of three reflow passes is allowed per component.

## 39. AT91SAM7S Ordering Information

**Table 39-1.** AT91SAM7S Series Ordering Information

| MLR A Ordering Code                  | MLR B Ordering Code                    | Package           | Package Type | Temperature Operating Range     |
|--------------------------------------|--|-------------------|--------------|---------------------------------|
| AT91SAM7S16-AU<br>AT91SAM7S16-MU     | –                                      | LQFP 48<br>QFN 48 | Green        | Industrial<br>(-40° C to 85° C) |
| AT91SAM7S161-AU                      | –                                      | LQFP 64           | Green        | Industrial<br>(-40° C to 85° C) |
| AT91SAM7S32-AU-001<br>AT91SAM7S32-MU | AT91SAM7S32B-AU<br>AT91SAM7S32B-MU     | LQFP 48<br>QFN 48 | Green        | Industrial<br>(-40° C to 85° C) |
| AT91SAM7S321-AU<br>AT91SAM7S321-MU   | –                                      | LQFP 64<br>QFN 64 | Green        | Industrial<br>(-40° C to 85° C) |
| AT91SAM7S64-AU-001<br>AT91SAM7S64-MU | AT91SAM7S64B-AU<br>AT91SAM7S64B-MU     | LQFP 64<br>QFN 64 | Green        | Industrial<br>(-40° C to 85° C) |
| –                                    | AT91SAM7S128-AU-001<br>AT91SAM7S128-MU | LQFP 64<br>QFN 64 | Green        | Industrial<br>(-40° C to 85° C) |
| –                                    | AT91SAM7S256-AU-001<br>AT91SAM7S256-MU | LQFP 64<br>QFN 64 | Green        | Industrial<br>(-40° C to 85° C) |
| AT91SAM7S512-AU<br>AT91SAM7S512-MU   | –                                      | LQFP 64<br>QFN 64 | Green        | Industrial<br>(-40° C to 85° C) |

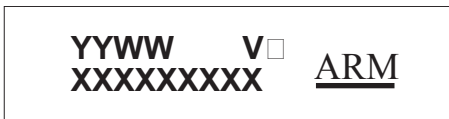


## 40. Errata

### 40.1 Marking

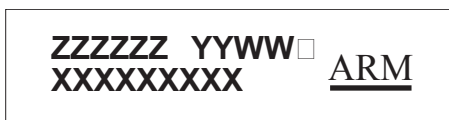
All devices are marked with the Atmel logo and the ordering code.

Additional marking may be in one of the following formats:



where

- “YY”: manufactory year
- “WW”: manufactory week
- “V”: revision
- “XXXXXXXXXX”: lot number



where

- “ZZZZZZ”: manufacturing number
- “YY”: manufactory year
- “WW”: manufactory week
- “XXXXXXXXXX”: lot number



## 40.2 Errata Summary by Product and Revision or Manufacturing Number

**Table 40-1.** Errata Summary Table

| Part     | Errata  | AT91SAM7Sx Product<br>Revision or Manufacturing Number |                     |                   |                   |                   |               |               |               |               |                |                |               |
|----------|---|--|---------------------|-------------------|-------------------|-------------------|---------------|---------------|---------------|---------------|----------------|----------------|---------------|
|          |   | SAM7S512 rev A   | SAM7S256/128 58818C | SAM7S56/128 rev A | SAM7S56/128 rev B | SAM7S64/32 58814G | SAM7S64 rev A | SAM7S64 rev B | SAM7S32 rev A | SAM7S32 rev B | SAM7S321 rev A | SAM7S161 rev A | SAM7S16 rev A |
| Chip ID  | Wrong Chip ID Value   |  | X                   | X                 |                   |                   |               |               |               |               |                |                |               |
| ADC      | DRDY Bit Cleared  | X  | X                   | X                 | X                 | X                 | X             | X             | X             | X             | X              | X              | X             |
| ADC      | DRDY not Cleared on Disable                                 | X  | X                   | X                 | X                 | X                 | X             | X             | X             | X             | X              | X              | X             |
| ADC      | DRDY Possibly Skipped due to CDR Read                       | X  | X                   | X                 | X                 | X                 | X             | X             | X             | X             | X              | X              | X             |
| ADC      | Possible Skip on DRDY when Disabling a Channel              | X  | X                   | X                 | X                 | X                 | X             | X             | X             | X             | X              | X              | X             |
| ADC      | GOVRE Bit is not Updated                                    | X  | X                   | X                 | X                 | X                 | X             | X             | X             | X             | X              | X              | X             |
| ADC      | GOVRE Bit is not Set when Reading CDR                       | X  | X                   | X                 | X                 | X                 | X             | X             | X             | X             | X              | X              | X             |
| ADC      | GOVRE Bit is not Set when Disabling a Channel               | X  | X                   | X                 | X                 | X                 | X             | X             | X             | X             | X              | X              | X             |
| ADC      | OVRE Flag Behavior  | X  | X                   | X                 | X                 | X                 | X             | X             | X             | X             | X              | X              | X             |
| ADC      | EOC Set although Channel Disabled                           | X  | X                   | X                 | X                 | X                 | X             | X             | X             | X             | X              | X              | X             |
| ADC      | Spurious Clear of EOC Flag                                  | X  | X                   | X                 | X                 | X                 | X             | X             | X             | X             | X              | X              | X             |
| ADC      | Sleep Mode  | X  | X                   | X                 | X                 | X                 | X             | X             | X             | X             | X              | X              | X             |
| EFC      | Embedded Flash Access Time                                  | X  |                     |                   |                   |                   |               |               |               |               |                |                |               |
| JTAG     | Recommendation for TDI Pin                                  |  |                     |                   |                   | X                 |               |               |               |               |                |                |               |
| MCK      | Limited Master Clock Frequency Ranges                       |  | X                   |                   |                   | X                 |               |               |               |               |                |                |               |
| NVM Bits | Write/Erase Cycles Number                                   |  | X                   | X                 | X                 | X                 | X             | X             | X             |               |                |                |               |
| PIO      | Leakage on PA17 - PA20                                      | X  | X                   | X                 |                   | X                 | X             |               | X             |               |                |                |               |
| PIO      | Electrical Characteristics on NRST and PA0-PA16 and PA21-31 | X  | X                   | X                 | X                 | X                 | X             | X             | X             | X             |                |                |               |
| PIO      | Drive Low NRST, PA0-PA16 and PA21-PA31                      | X  | X                   | X                 | X                 | X                 | X             | X             | X             | X             |                |                |               |
| PMC      | Slow Clock Selected in PMC and a Transition Occurs on PA1   |  | X                   | X                 |                   |                   |               |               |               |               |                |                |               |
| PMC      | Programming CSS in PMC_MCKR Register                        |  | X                   | X                 |                   |                   |               |               |               |               |                |                |               |
| PWM      | Update when PWM_CCNTx = 0 or 1                              | X  | X                   | X                 | X                 | X                 | X             | X             | X             | X             | X              | X              | X             |
| PWM      | Update when PWM_CPRDx = 0                                   | X  | X                   | X                 | X                 | X                 | X             | X             | X             | X             | X              | X              | X             |
| PWM      | Counter Start Value   | X  | X                   | X                 | X                 | X                 | X             | X             | X             | X             | X              | X              | X             |
| PWM      | Constraints on Duty Cycle Value                             | X  | X                   | X                 | X                 | X                 | X             | X             | X             | X             | X              | X              | X             |
| PWM      | Behavior of CHIDx Status Bits in the PWM_SR Register        | X  | X                   | X                 | X                 | X                 | X             | X             | X             | X             | X              | X              | X             |
| RTT      | Possible Event Loss when Reading RTT_SR                     |  | X                   | X                 | X                 |                   |               |               |               |               |                |                |               |
| RTT      | RTT_VR May be Corrupted                                     |  | X                   | X                 |                   |                   |               |               |               |               |                |                |               |



**Table 40-1. Errata Summary Table**

| Part              | Errata  | AT91SAM7Sx Product Revision or Manufacturing Number |                     |                   |                   |                   |               |               |               |               |                |                |
|-------------------|---|---|---------------------|-------------------|-------------------|-------------------|---------------|---------------|---------------|---------------|----------------|----------------|
|                   |   | SAM7S512 rev A                                      | SAM7S256/128 58818C | SAM7256/128 rev A | SAM7256/128 rev B | SAM7S64/32 58814G | SAM7S64 rev A | SAM7S64 rev B | SAM7S32 rev A | SAM7S32 rev B | SAM7S321 rev A | SAM7S161 rev A |
| SPI               | Software Reset Must be Written Twice                    | X   |                     |                   | X                 |                   |               | X             |               | X             |                |                |
| SPI               | Pulse Generation on SPCK                                |   |                     |                   |                   | X                 | X             | X             | X             | X             |                |                |
| SPI               | Bad Behavior when CSAAT = 1 and SCBR = 1                | X   | X                   | X                 | X                 | X                 | X             | X             | X             | X             |                |                |
| SPI               | LASTXFER (Last Transfer) behavior                       | X   | X                   | X                 | X                 | X                 | X             | X             | X             | X             |                |                |
| SPI               | SPCK Behavior in Master Mode                            | X   | X                   | X                 | X                 | X                 | X             | X             | X             | X             |                |                |
| SPI               | Chip Select and Fixed Mode                              | X   | X                   | X                 | X                 | X                 | X             | X             | X             | X             |                |                |
| SPI               | Baudrate Set to 1                                       | X   | X                   | X                 | X                 | X                 | X             | X             | X             | X             |                |                |
| SPI               | Disable In Slave Mode                                   | X   | X                   | X                 | X                 | X                 | X             | X             | X             | X             |                |                |
| SPI               | Disable Issue   |   |                     |                   |                   | X                 | X             | X             | X             | X             |                |                |
| SPI               | Software Reset and SPIEN Bit                            |   |                     |                   |                   | X                 | X             | X             | X             | X             |                |                |
| SPI               | CSAAT = 1 and Delay                                     |   |                     |                   |                   | X                 | X             | X             | X             | X             |                |                |
| SPI               | Bad Serial Clock Generation on 2nd Chip Select          | X   | X                   | X                 | X                 | X                 | X             | X             | X             | X             | X              |                |
| SSC               | Periodic Transmission Limitations in Master Mode        | X   | X                   | X                 | X                 | X                 | X             | X             | X             | X             | X              |                |
| SSC               | Transmitter Limitations in Slave Mode                   | X   | X                   | X                 | X                 | X                 | X             | X             | X             | X             | X              |                |
| SSC               | Transmitter Limitations in Slave Mode                   | X   | X                   | X                 | X                 | X                 | X             | X             | X             | X             | X              |                |
| TWI               | Clock Divider   | X   | X                   | X                 | X                 | X                 | X             | X             | X             | X             |                |                |
| TWI               | Software Reset  | X   | X                   | X                 | X                 | X                 | X             | X             | X             | X             |                |                |
| TWI               | Disabling Does not Operate Correctly                    | X   | X                   | X                 | X                 | X                 | X             | X             | X             | X             |                |                |
| TWI               | NACK Status Bit Lost                                    | X   | X                   | X                 | X                 | X                 | X             | X             | X             | X             |                |                |
| TWI               | Possible Receive Holding Register Corruption            | X   | X                   | X                 | X                 | X                 | X             | X             | X             | X             |                |                |
| USART             | Hardware Handshake                                      |   |                     |                   |                   | X                 | X             | X             | X             | X             |                |                |
| USART             | CTS in Hardware Handshaking                             | X   | X                   | X                 | X                 | X                 | X             | X             | X             | X             |                |                |
| USART             | Hardware Handshaking – Two Characters Sent              | X   | X                   | X                 | X                 | X                 | X             | X             | X             | X             |                |                |
| USART             | XOFF Character Bad Behavior                             | X   | X                   | X                 | X                 | X                 | X             | X             | X             | X             |                |                |
| USART             | RXBRK Flag Error in Asynchronous Mode                   | X   | X                   | X                 | X                 |                   |               |               |               |               |                |                |
| USART             | DCD is active High instead of Low                       | X   | X                   | X                 | X                 | X                 | X             | X             | X             | X             | X              |                |
| Voltage Regulator | Current Consumption in Deep Mode                        |   | X                   | X                 | X                 | X                 | X             | X             | X             |               |                |                |
| Voltage Regulator | Load Versus Temperature                                 |   | X                   | X                 | X                 | X                 | X             | X             | X             |               |                |                |
| WDT               | The Watchdog Timer May Lock the Device in a Reset State |   | X                   | X                 |                   |                   |               |               |               |               |                |                |
| WDT               | The Watchdog Timer Status Register and Interrupt        |   | X                   | X                 |                   |                   |               |               |               |               |                |                |

### 40.3 Errata Organization by Product and Revision or Manufacturing Number

- [“AT91SAM7S512 Errata - Revision A Parts” on page 595](#)
- [“AT91SAM7S256 Errata - Manufacturing Number 58818C” on page 603](#)
- [“AT91SAM7S256 Errata - Revision A Parts” on page 614](#)
- [“AT91SAM7S256 Errata - Revision B Parts” on page 624](#)
- [“AT91SAM7S128 Errata - Manufacturing Number 58818C” on page 633](#)
- [“AT91SAM7S128 Errata - Revision A Parts” on page 644](#)
- [“AT91SAM7S128 Errata - Revision B Parts” on page 654](#)
- [“AT91SAM7S64 Errata - Manufacturing Number 58814G” on page 663](#)
- [“AT91SAM7S64 Errata - Revision A Parts” on page 673](#)
- [“AT91SAM7S64 Errata - Revision B Parts” on page 682](#)
- [“AT91SAM7S321 Errata - Revision A Parts” on page 692](#)
- [“AT91SAM7S32 Errata - Manufacturing Number 58814G” on page 700](#)
- [“AT91SAM7S32 Errata - Revision A Parts” on page 710](#)
- [“AT91SAM7S32 Errata - Revision B Parts” on page 719](#)
- [“AT91SAM7S161 Errata - Revision A Parts” on page 728](#)
- [“AT91SAM7S16 Errata - Revision A Parts” on page 733](#)

## 40.4 AT91SAM7S512 Errata - Revision A Parts

Refer to [Section 40.1 “Marking” on page 591](#).

Note: AT91SAM7S512 Revision A chip ID is: 0x270B 0A40.

### 40.4.1 Analog-to-Digital Converter (ADC)

#### 40.4.1.1 ADC: DRDY Bit Cleared

The DRDY Flag should be clear only after a read of ADC\_LCDR (Last Converted Data Register). A read of any ADC\_CDRx register (Channel Data Register) automatically clears the DRDY flag.

**Problem Fix/Workaround:**

None

#### 40.4.1.2 ADC: DRDY not Cleared on Disable

When reading LCDR at the same instant as an end of conversion, with DRDY already active, DRDY is kept active regardless of the enable status of the current channel. This sets DRDY, whereas new data is not stored.

**Problem Fix/Workaround**

None

#### 40.4.1.3 ADC: DRDY Possibly Skipped due to CDR Read

Reading CDR for channel “y” at the same instant as an end of conversion on channel “x” with EOC[x] already active, leads to skipping to set the DRDY flag if channel “x” is enabled.

**Problem Fix/Workaround**

Use of DRDY functionality with access to CDR registers should be avoided.

#### 40.4.1.4 ADC: Possible Skip on DRDY when Disabling a Channel

DRDY does not rise when disabling channel “y” at the same time as an end of “x” channel conversion, although data is stored into CDRx and LCDR.

**Problem Fix/Workaround**

None.

#### 40.4.1.5 ADC: GOVRE Bit is not Updated

Read of the Status Register at the same instant as an end of conversion leads to skipping the update of the GOVRE (general overrun) flag. GOVRE is neither reset nor set.

For example, if reading the status while an end of conversion is occurring and:

1. GOVRE is active but DRDY is inactive, does not correspond to a new general overrun condition but the GOVRE flag is not reset.
2. GOVRE is inactive but DRDY is active, does correspond to a new general overrun condition but the GOVRE flag is not set.

**Problem Fix/Workaround**

None

40.4.1.6 *ADC: GOVRE Bit is not Set when Reading CDR*

When reading CDR<sub>y</sub> (Channel Data Register y) at the same instant as an end of conversion on channel “x” with the following conditions:

- EOC[x] already active,
- DRDY already active,
- GOVRE inactive,
- previous data stored in LCDR being neither data from channel “y”, nor data from channel “x”.

GOVRE should be set but is not.

**Problem Fix/Workaround**

None

40.4.1.7 *ADC: GOVRE Bit is not Set when Disabling a Channel*

When disabling channel “y” at the same instant as an end of conversion on channel “x”, EOC[x] and DRDY being already active, GOVRE does not rise.

Note: OVRE[x] rises as expected.

**Problem Fix/Workaround**

None

40.4.1.8 *ADC: OVRE Flag Behavior*

When the OVRE flag (on channel i) has been set but the related EOC status (of channel i) has been cleared (by a read of CDR<sub>i</sub> or LCDR), reading the Status register at the same instant as an end of conversion (causing the set of EOC status on channel i), does not lead to a reset of the OVRE flag (on channel i) as expected.

**Problem Fix/Workaround:**

None

40.4.1.9 *ADC: EOC Set although Channel Disabled*

If a channel is disabled while a conversion is running and if a read of CDR is performed at the same time as an end of conversion of any channel occurs, the EOC of the channel with the conversion running may rise (whereas it has been disabled).

**Problem Fix/Workaround**

Do not take into account the EOC of a disabled channel

40.4.1.10 *ADC: Spurious Clear of EOC Flag*

If “x” and “y” are two successively converted channels and “z” is yet another enabled channel (“z” being neither “x” nor “y”), reading CDR on channel “z” at the same instant as an end of conversion on channel “y” automatically clears EOC[x] instead of EOC[z].

**Problem Fix/Workaround**

None.

40.4.1.11 *ADC: Sleep Mode*

If Sleep mode is activated while there is no activity (no conversion is being performed), it will take effect only after a conversion occurs.

**Problem Fix/Workaround**

To activate sleep mode as soon as possible, it is recommended to write successively, ADC Mode Register (SLEEP) then ADC Control Register (START bit field); to start an analog-to-digital conversion, in order put ADC into sleep mode at the end of this conversion.

## 40.4.2 Embedded Flash Controller (EFC)

### 40.4.2.1 EFC: Embedded Flash Access Time

The embedded Flash maximum access time is 20 MHz (instead of 30 MHz) at zero Wait State (FWS = 0).

The maximum operating frequency with one Wait State (FWS = 1) is 48.1 MHz (instead of 55 MHz). Above 48.1 MHz and until 55 MHz, two Wait States (FWS = 2) are required.

#### Problem Fix/Workaround

Set the number of Wait States (FWS) according to the frequency requirements described in this errata.

## 40.4.3 Parallel Input/Output Controller (PIO)

### 40.4.3.1 PIO: Leakage on PA17 - PA20

When PA17, PA18, PA19 or PA20 (the I/O lines multiplexed with the analog inputs) are set as digital inputs with pull-up disabled, the leakage can be 9  $\mu$ A in worst case and 90 nA in typical case per I/O when the I/O is set externally at low level.

#### Problem Fix/Workaround

Set the I/O to VDDIO by internal or external pull-up.

### 40.4.3.2 PIO: Electrical Characteristics on NRST and PA0-PA16 and PA21-31

When NRST or PA0-PA16 or PA21-PA31 are set as digital inputs with pull-up enabled, the voltage of the I/O stabilizes at VPull-up.

#### Vpull-up

| VPull-up Min   | VPull-up Max   |
|----------------|----------------|
| VDDIO - 0.65 V | VDDIO - 0.45 V |

This condition causes a leakage through VDDIO. This leakage is 45  $\mu$ A per pad in worst case at 3.3 V and 25  $\mu$ A at 1.8V.

#### I Leakage

| Parameter         | Typ         | Max        |
|-------------------|-------------|------------|
| I Leakage at 3,3V | 2.5 $\mu$ A | 45 $\mu$ A |
| I Leakage at 1.8V | 1 $\mu$ A   | 25 $\mu$ A |

#### Problem Fix/Workaround

It is recommended to use an external pull-up if needed.

### 40.4.3.3 PIO: Drive Low NRST, PA0-PA16 and PA21-PA31

When NRST or PA0-PA16 and or PA21-PA31 are set as digital inputs with pull-up enabled, driving the I/O with an output impedance higher than 500 ohms may not drive the I/O to a logical zero.

### **Problem Fix/Workaround**

Output impedance must be lower than 500 ohms.

#### **40.4.4 Pulse Width Modulation Controller (PWM)**

##### *40.4.4.1 PWM: Update when PWM\_CCNTx = 0 or 1*

If the Channel Counter Register value is 0 or 1, the Channel Period Register or Channel Duty Cycle Register is directly modified when writing the Channel Update Register.

### **Problem Fix/Workaround**

Check the Channel Counter Register before writing the update register.

##### *40.4.4.2 PWM: Update when PWM\_CPRDx = 0*

When Channel Period Register equals 0, the period update is not operational.

### **Problem Fix/Workaround**

Do not write 0 in the period register.

##### *40.4.4.3 PWM: Counter Start Value*

In left aligned mode, the first start value of the counter is 0. For the other periods, the counter starts at 1.

### **Problem Fix/Workaround**

None.

##### *40.4.4.4 PWM: Constraints on Duty Cycle Value*

Setting Channel Duty Cycle Register (PWM\_CDTYx) at 0 in center aligned mode or at 0 or 1 in left aligned mode may change the polarity of the signal.

### **Problem Fix/Workaround**

Do not set PWM\_CDTYx at 0 in center aligned mode.

Do not set PWM\_CDTYx at 0 or 1 in left aligned mode.

##### *40.4.4.5 PWM: Behavior of CHIDx Status Bits in the PWM\_SR Register*

Erratic behavior of the CHIDx status bit in the PWM\_SR Register. When a channel is disabled by writing in the PWM\_DIS Register just after enabling it (before completion of a Clock Period of the clock selected for the channel), the PWM line is internally disabled but the CHIDx status bit in the PWM\_SR stays at 1.

### **Problem Fix/Workaround**

Do not disable a channel before completion of one period of the selected clock.

#### **40.4.5 Real Time Timer (RTT)**

##### *40.4.5.1 RTT: Possible Event Loss when Reading RTT\_SR*

If an event (RTTINC or ALMS) occurs within the same slow clock cycle during which the RTT\_SR is read, the corresponding bit might be cleared. This can lead to the loss of this event.

### **Problem Fix/Workaround:**

The software must handle the RTT event as an interrupt and should not poll RTT\_SR.

## 40.4.6 Serial Peripheral Interface (SPI)

### 40.4.6.1 SPI: Software Reset Must be Written Twice

If a software reset (SWRST in the SPI Control Register) is performed, the SPI may not work properly (the clock is enabled before the chip select).

#### **Problem Fix/Workaround**

The SPI Control Register field, SWRST needs to be written twice to be set correctly.

### 40.4.6.2 SPI: Bad tx\_ready Behavior when CSAAT = 1 and SCBR = 1

If the SPI is programmed with CSAAT = 1, SCBR(baudrate) = 1 and two transfers are performed consecutively on the same slave with an IDLE state between them, the tx\_ready signal does not rise after the second data has been transferred in the shifter. This can imply for example, that the second data is sent twice.

#### **Problem Fix/Workaround**

Do not use the combination CSAAT = 1 and SCBR = 1.

### 40.4.6.3 SPI: LASTXFER (Last Transfer) Behavior

In FIXED Mode, with CSAAT bit set, and in "PDC mode" the Chip Select can rise depending on the data written in the SPI\_TDR when the TX\_EMPTY flag is set. If for example, the PDC writes a "1" in the bit 24 (LASTXFER bit) of the SPI\_TDR, the chip select will rise as soon as the TXEMPTY flag is set.

#### **Problem Fix/Workaround**

Use the CS in PIO mode when PDC mode is required and CS has to be maintained between transfers.

### 40.4.6.4 SPI: SPCK Behavior in Master Mode

SPCK pin can toggle out before the first transfer in Master Mode.

#### **Problem Fix/Workaround**

In Master Mode, MSTR bit must be set (in SPI\_MR register) before configuring SPI\_CSRx registers.

### 40.4.6.5 SPI: Chip Select and Fixed Mode

In fixed Mode, if a transfer is performed through a PDC on a Chip select different from the Chip select 0, the output spi\_size sampled by the PDC will depend on the field, BITS (Bits per Transfer) of SPI\_CSR0 register, whatever the selected Chip select is. For example, if SPI\_CSR0 is configured for a 10-bit transfer whereas SPI\_CSR1 is configured for an 8-bit transfer, when a transfer is performed in Fixed mode through the PDC, on Chip select 1, the transfer will be considered as a HalfWord transfer.

#### **Problem Fix/Workaround**

If a PDC transfer has to be performed in 8 bits, on a Chip select y (y as different from 0), the BITS field of the SPI\_CSR0 must be configured in 8 bits, in the same way as the BITS field of the CSRy Register.

### 40.4.6.6 SPI: Baudrate Set to 1

When Baudrate is set at 1 (i.e. when serial clock frequency equals the system clock frequency) and when the BITS field of the SPI\_CSR register (number of bits to be transmitted) equals an ODD value (in this case 9,11,13 or 15), an additional pulse will be generated on output SPCK.

Everything is OK if the BITS field equals 8,10,12,14 or 16 and Baudrate = 1.

**Problem Fix/Workaround**

None.

**40.4.6.7** *SPI: Disable In Slave Mode*

The SPI disable is not possible in slave mode.

**Problem Fix/Workaround**

Read first the received data, then perform the software reset.

**40.4.6.8** *SPI: Bad Serial Clock Generation on 2nd Chip Select*

Bad Serial clock generation on the 2nd chip select when SCBR = 1, CPOL = 1 and NCPHA = 0.

This occurs using SPI with the following conditions:

- Master Mode
- CPOL = 1 and NCPHA = 0
- Multiple chip selects are used with one transfer with Baud rate (SCBR) equal to 1 (i.e., when serial clock frequency equals the system clock frequency) and the other transfers set with SCBR are not equal to 1
- Transmitting with the slowest chip select and then with the fastest one, then an additional pulse is generated on output SPCK during the second transfer.

**Problem Fix/Workaround**

Do not use a multiple Chip Select configuration where at least one SCRx register is configured with SCBR = 1 and the others differ from 1 if NCPHA = 0 and CPOL = 1.

If all chip selects are configured with Baudrate = 1, the issue does not appear.

**40.4.7 Synchronous Serial Controller (SSC)**

**40.4.7.1** *SSC: Periodic Transmission Limitations in Master Mode*

If the Least Significant Bit is sent first (MSBF = 0), the first TAG during the frame synchro is not sent.

**Problem Fix/Workaround**

None.

**40.4.7.2** *SSC: Transmitter Limitations in Slave Mode*

If TK is programmed as output and TF is programmed as input, it is impossible to emit data when the start of edge (rising or falling) of synchro has a Start Delay equal to zero.

**Problem Fix/Workaround**

None.

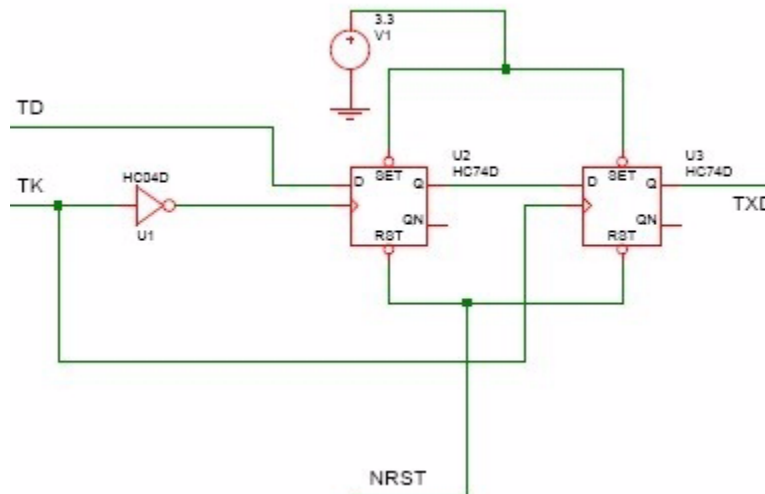
**40.4.7.3** *SSC: Transmitter Limitations in Slave Mode*

If TK is programmed as an input and TF is programmed as an output and requested to be set to low/high during data emission, the Frame Synchro signal is generated one bit clock period after the data start and one data bit is lost. This problem does not exist when generating a periodic synchro.

**Problem Fix/Workaround**



The data need to be delayed for one bit clock period with an external assembly. In the following schematic, TD, TK and NRST are AT91SAM7S signals, TXD is the delayed data to connect to the device.



## 40.4.8 Two-wire Interface (TWI)

### 40.4.8.1 TWI: Clock Divider

The value of  $CLDIV \times 2^{CKDIV}$  must be less than or equal to 8191, the value of  $CHDIV \times 2^{CKDIV}$  must be less than or equal to 8191.

#### Problem Fix/Workaround

None.

### 40.4.8.2 TWI: Software Reset

when a software reset is performed during a frame and when TWCK is low, it is impossible to initiate a new transfer in READ or WRITE mode.

#### Problem Fix/Workaround

None.

### 40.4.8.3 TWI: Disabling Does not Operate Correctly

Any transfer in progress is immediately frozen if the Control Register (TWI\_CR) is written with the bit MSDIS at 1. Furthermore, the status bits TXCOMP and TXRDY in the Status Register (TWI\_SR) are not reset.

#### Problem Fix/Workaround

The user must wait for the end of transfer before disabling the TWI. In addition, the interrupts must be disabled before disabling the TWI.

### 40.4.8.4 TWI: NACK Status Bit Lost

During a master frame, if TWI\_SR is read between the Non Acknowledge condition detection and the TXCOMP bit rising in the TWI\_SR, the NACK bit is not set.

#### Problem Fix/Workaround

The user must wait for the TXCOMP status bit by interrupt and must not read the TWI\_SR as long as transmission is not completed.

TXCOMP and NACK fields are set simultaneously and the NACK field is reset after the read of the TWI\_SR.

#### 40.4.8.5 *TWI: Possible Receive Holding Register Corruption*

When loading the TWI\_RHR, the transfer direction is ignored. The last data byte received in the TWI\_RHR is corrupted at the end of the first subsequent transmit data byte. Neither RXRDY nor OVERRUN status bits are set if this occurs.

##### **Problem Fix/Workaround**

The user must be sure that received data is read before transmitting any new data.

### 40.4.9 **Universal Synchronous Asynchronous Receiver Transmitter (USART)**

#### 40.4.9.1 *USART: CTS in Hardware Handshaking*

When Hardware Handshaking is used and if CTS goes high near the end of the start bit, a character can be lost.

CTS must not go high during a time slot occurring between 2 Master Clock periods before and 16 Master Clock periods after the rising edge of the start bit.

##### **Problem Fix/Workaround**

None.

#### 40.4.9.2 *USART: Hardware Handshaking – Two Characters Sent*

If CTS switches from 0 to 1 during the TX of a character and if the holding register (US\_THR) is not empty, the content of US\_THR will also be transmitted.

##### **Problem Fix/Workaround**

Don't use the PDC in transmit mode and do not fill US\_THR before TXEMPTY is set at 1.

#### 40.4.9.3 *USART: XOFF Character Bad Behavior*

The XOFF character is sent only when the receive buffer is detected full. While the XOFF is being sent, the remote transmitter is still transmitting. As only one Holding register is available in the receiver, characters will be lost in reception. This makes the software handshaking functionality ineffective.

##### **Problem Fix/Workaround**

None.

#### 40.4.9.4 *USART: RXBRK Flag Error in Asynchronous Mode*

In receiver mode, when there are two consecutive characters (without timeguard in between), RXBRK is not taken into account. As a result, the RXBRK flag is not enabled correctly and the frame error flag is set.

##### **Problem Fix/Workaround**

Constraints on the transmitter device connected to the AT91SAM7S USART receiver side:

The transmitter may use the timeguard feature or send two STOP conditions. Only one STOP condition is taken into account by the receiver state machine. After this STOP condition, as there is no valid data, the receiver state machine will go in idle mode and enable the RXBRK flag.

#### 40.4.9.5 *USART: DCD is active High instead of Low*

The DCD signal is active at High level in the USART Modem Mode.  
DCD should be active at Low level.

##### **Problem Fix/Workaround**

Add an inverter.

## 40.5 AT91SAM7S256 Errata - Manufacturing Number 58818C

Refer to [Section 40.1 "Marking" on page 591](#).

Important: [Section 40.5.14.1 "WDT: The Watchdog Timer May Lock the Device in a Reset State"](#)

### 40.5.1 Chip ID

#### 40.5.1.1 *Wrong Chip ID Value*

The Chip ID is 0x270D0940 instead of 0x270B0940.

##### **Problem Fix/Workaround**

None.

### 40.5.2 Analog-to-Digital Converter (ADC)

#### 40.5.2.1 *ADC: DRDY Bit Cleared*

The DRDY Flag should be clear only after a read of ADC\_LCDR (Last Converted Data Register). A read of any ADC\_CDRx register (Channel Data Register) automatically clears the DRDY flag.

##### **Problem Fix/Workaround:**

None

#### 40.5.2.2 *ADC: DRDY not Cleared on Disable*

When reading LCDR at the same instant as an end of conversion, with DRDY already active, DRDY is kept active regardless of the enable status of the current channel. This sets DRDY, whereas new data is not stored.

##### **Problem Fix/Workaround**

None

#### 40.5.2.3 *ADC: DRDY Possibly Skipped due to CDR Read*

Reading CDR for channel "y" at the same instant as an end of conversion on channel "x" with EOC[x] already active, leads to skipping to set the DRDY flag if channel "x" is enabled.

##### **Problem Fix/Workaround**

Use of DRDY functionality with access to CDR registers should be avoided.

#### 40.5.2.4 *ADC: Possible Skip on DRDY when Disabling a Channel*

DRDY does not rise when disabling channel "y" at the same time as an end of "x" channel conversion, although data is stored into CDRx and LCDR.

##### **Problem Fix/Workaround**

None.

#### 40.5.2.5 *ADC: GOVRE Bit is not Updated*

Read of the Status Register at the same instant as an end of conversion leads to skipping the update of the GOVRE (general overrun) flag. GOVRE is neither reset nor set.

For example, if reading the status while an end of conversion is occurring and:

1. GOVRE is active but DRDY is inactive, does not correspond to a new general overrun condition but the GOVRE flag is not reset.
2. GOVRE is inactive but DRDY is active, does correspond to a new general overrun condition but the GOVRE flag is not set.

##### **Problem Fix/Workaround**

None

#### 40.5.2.6 *ADC: GOVRE Bit is not Set when Reading CDR*

When reading CDR<sub>y</sub> (Channel Data Register y) at the same instant as an end of conversion on channel “x” with the following conditions:

- EOC[x] already active,
- DRDY already active,
- GOVRE inactive,
- previous data stored in LCDR being neither data from channel “y”, nor data from channel “x”.

GOVRE should be set but is not.

##### **Problem Fix/Workaround**

None

#### 40.5.2.7 *ADC: GOVRE Bit is not Set when Disabling a Channel*

When disabling channel “y” at the same instant as an end of conversion on channel “x”, EOC[x] and DRDY being already active, GOVRE does not rise.

Note: GOVRE[x] rises as expected.

##### **Problem Fix/Workaround**

None

#### 40.5.2.8 *ADC: OVRE Flag Behavior*

When the OVRE flag (on channel i) has been set but the related EOC status (of channel i) has been cleared (by a read of CDR<sub>i</sub> or LCDR), reading the Status register at the same instant as an end of conversion (causing the set of EOC status on channel i), does not lead to a reset of the OVRE flag (on channel i) as expected.

##### **Problem Fix/Workaround:**

None

#### 40.5.2.9 *ADC: EOC Set although Channel Disabled*

If a channel is disabled while a conversion is running and if a read of CDR is performed at the same time as an end of conversion of any channel occurs, the EOC of the channel with the conversion running may rise (whereas it has been disabled).

##### **Problem Fix/Workaround**

Do not take into account the EOC of a disabled channel

## 40.5.2.10 ADC: Spurious Clear of EOC Flag

If “x” and “y” are two successively converted channels and “z” is yet another enabled channel (“z” being neither “x” nor “y”), reading CDR on channel “z” at the same instant as an end of conversion on channel “y” automatically clears EOC[x] instead of EOC[z].

### Problem Fix/Workaround

None.

## 40.5.2.11 ADC: Sleep Mode

If Sleep mode is activated while there is no activity (no conversion is being performed), it will take effect only after a conversion occurs.

### Problem Fix/Workaround

To activate sleep mode as soon as possible, it is recommended to write successively, ADC Mode Register (SLEEP) then ADC Control Register (START bit field); to start an analog-to-digital conversion, in order put ADC into sleep mode at the end of this conversion.

## 40.5.3 Master Clock (MCK)

### 40.5.3.1 MCK: Limited Master Clock Frequency Ranges

If the Flash is operating without wait states, the frequency of the Master Clock MCK must be lower than 3 MHz or higher than 19 MHz.

If the Flash is operating with one wait state, the frequency of the Master Clock MCK must be lower than 3 MHz or higher than 19 MHz.

If the Flash is operating with two wait states, the frequency of the Master Clock MCK must be lower than 3 MHz or higher than 25 MHz.

If the Flash is operating with three wait states, the frequency of the Master Clock MCK must be lower than 3 MHz or higher than 38 MHz.

If these constraints are not respected, the correct operation of the system cannot be guaranteed and either data or prefetch abort might occur.

The maximum operating frequencies (at 30 MHz @ 0 Wait States and 55 MHz @ 1 Wait State) as stated in [Table 37-24, “Embedded Flash Wait States,” on page 578](#), are still applicable.

Note: It is not necessary to use 2 or 3 wait states because the Flash can operate at maximum frequency with only 1 wait state.

### Problem Fix/Workaround

The user must ensure that the device is running at the authorized frequency by programming the PLL properly to not run within the forbidden frequency range.

## 40.5.4 Non Volatile Memory Bits (NVM Bits)

### 40.5.4.1 NVM Bits: Write/Erase Cycles Number

The maximum number of write/erase cycles for Non Volatile Memory bits is 100. This includes Lock Bits (LOCKx), General Purpose NVM bits (GPNVMx) and the Security Bit.

This maximum number of write/erase cycles is not applicable to 256 KB Flash memory, it remains at 10K for the Flash memory.

### Problem Fix/Workaround

None.

## 40.5.5 Parallel Input/Output Controller (PIO)

### 40.5.5.1 PIO: Leakage on PA17 - PA20

When PA17, PA18, PA19 or PA20 (the I/O lines multiplexed with the analog inputs) are set as digital inputs with pull-up disabled, the leakage can be 9  $\mu\text{A}$  in worst case and 90 nA in typical case per I/O when the I/O is set externally at low level.

#### Problem Fix/Workaround

Set the I/O to VDDIO by internal or external pull-up.

### 40.5.5.2 PIO: Electrical Characteristics on NRST and PA0-PA16 and PA21-31

When NRST or PA0-PA16 or PA21-PA31 are set as digital inputs with pull-up enabled, the voltage of the I/O stabilizes at VPull-up.

#### Vpull-up

| VPull-up Min   | VPull-up Max   |
|----------------|----------------|
| VDDIO - 0.65 V | VDDIO - 0.45 V |

This condition causes a leakage through VDDIO. This leakage is 45  $\mu\text{A}$  per pad in worst case at 3.3 V and 25  $\mu\text{A}$  at 1.8V.

#### I Leakage

| Parameter         | Typ               | Max              |
|-------------------|-------------------|------------------|
| I Leakage at 3,3V | 2.5 $\mu\text{A}$ | 45 $\mu\text{A}$ |
| I Leakage at 1.8V | 1 $\mu\text{A}$   | 25 $\mu\text{A}$ |

#### Problem Fix/Workaround

It is recommended to use an external pull-up if needed.

### 40.5.5.3 PIO: Drive Low NRST, PA0-PA16 and PA21-PA31

When NRST or PA0-PA16 and or PA21-PA31 are set as digital inputs with pull-up enabled, driving the I/O with an output impedance higher than 500 ohms may not drive the I/O to a logical zero.

#### Problem Fix/Workaround

Output impedance must be lower than 500 ohms.

## 40.5.6 Power Management Controller (PMC)

### 40.5.6.1 PMC: Slow Clock Selected in PMC and a Transition Occurs on PA1

Under certain rare circumstances, when CSS = 00 in PMC\_MCKR, and PA1 is set as an input and a transition occurs on PA1, device malfunction might occur.

#### Problem Fix/Workaround

Do not transition PA1 as an input when CSS = 00 in PMC\_MCKR.

### 40.5.6.2 PMC: Programming CSS in PMC\_MCKR Register

Under certain rare circumstances, reprogramming the CSS value in the PMC\_MCKR register (i.e switching the main clock source) might generate malfunction of the device if the following two actions occur simultaneously.

1. Switching from:
  - PLL Clock to Slow Clock or
  - PLL Clock to Main Clock or
  - Main Clock to PLL Clock or
  - Main Clock to Slow Clock

And

2. Program code is being executed out of flash, **or** a transition is occurring on PA1, either as an input or output.

Note: This issue does not occur when transitioning from slow clock to main clock or from slow clock to PLL clock.

### **Problem Fix/Workaround**

When changing CSS in the PMC\_MCKR to switch from

- PLL Clock to Slow Clock or
- PLL Clock to Main Clock or
- Main Clock to PLL Clock or
- Main Clock to Slow Clock

Ensure that the processor is executing out of SRAM **and** ensure no transition occurs on PA1, either as an input or output, starting from writing to the PMC\_MCKR register until MCKRDY = 1.

## **40.5.7 Pulse Width Modulation Controller (PWM)**

### *40.5.7.1 PWM: Update when PWM\_CCNTx = 0 or 1*

If the Channel Counter Register value is 0 or 1, the Channel Period Register or Channel Duty Cycle Register is directly modified when writing the Channel Update Register.

### **Problem Fix/Workaround**

Check the Channel Counter Register before writing the update register.

### *40.5.7.2 PWM: Update when PWM\_CPRDx = 0*

When Channel Period Register equals 0, the period update is not operational.

### **Problem Fix/Workaround**

Do not write 0 in the period register.

### *40.5.7.3 PWM: Counter Start Value*

In left aligned mode, the first start value of the counter is 0. For the other periods, the counter starts at 1.

### **Problem Fix/Workaround**

None.

### *40.5.7.4 PWM: Constraints on Duty Cycle Value*

Setting Channel Duty Cycle Register (PWM\_CDTYx) at 0 in center aligned mode or at 0 or 1 in left aligned mode may change the polarity of the signal.

### **Problem Fix/Workaround**

Do not set PWM\_CDTYx at 0 in center aligned mode.

Do not set PWM\_CDTYx at 0 or 1 in left aligned mode.

#### 40.5.7.5 *PWM: Behavior of CHIDx Status Bits in the PWM\_SR Register*

Erratic behavior of the CHIDx status bit in the PWM\_SR Register. When a channel is disabled by writing in the PWM\_DIS Register just after enabling it (before completion of a Clock Period of the clock selected for the channel), the PWM line is internally disabled but the CHIDx status bit in the PWM\_SR stays at 1.

##### **Problem Fix/Workaround**

Do not disable a channel before completion of one period of the selected clock.

### 40.5.8 Real Time Timer (RTT)

#### 40.5.8.1 *RTT: Possible Event Loss when Reading RTT\_SR*

If an event (RTTINC or ALMS) occurs within the same slow clock cycle during which the RTT\_SR is read, the corresponding bit might be cleared. This can lead to the loss of this event.

##### **Problem Fix/Workaround**

The software must handle the RTT event as an interrupt and should not poll RTT\_SR.

#### 40.5.8.2 *RTT: RTT\_VR May be Corrupted*

Under certain rare circumstances, the Real-time Timer Value (RTT\_VR) may be corrupted.

##### **Problem Fix/Workaround**

Use RTTINC as an increment for a software counter.

### 40.5.9 Serial Peripheral Interface (SPI)

#### 40.5.9.1 *SPI: Bad tx\_ready Behavior when CSAAT = 1 and SCBR = 1*

If the SPI is programmed with CSAAT = 1, SCBR(baudrate) = 1 and two transfers are performed consecutively on the same slave with an IDLE state between them, the tx\_ready signal does not rise after the second data has been transferred in the shifter. This can imply for example, that the second data is sent twice.

##### **Problem Fix/Workaround**

Do not use the combination CSAAT = 1 and SCBR = 1.

#### 40.5.9.2 *SPI: LASTXFER (Last Transfer) Behavior*

In FIXED Mode, with CSAAT bit set, and in "PDC mode" the Chip Select can rise depending on the data written in the SPI\_TDR when the TX\_EMPTY flag is set. If for example, the PDC writes a "1" in the bit 24 (LASTXFER bit) of the SPI\_TDR, the chip select will rise as soon as the TXEMPTY flag is set.

##### **Problem Fix/Workaround**

Use the CS in PIO mode when PDC mode is required and CS has to be maintained between transfers.

#### 40.5.9.3 *SPI: SPCK Behavior in Master Mode*

SPCK pin can toggle out before the first transfer in Master Mode.

##### **Problem Fix/Workaround**

In Master Mode, MSTR bit must be set (in SPI\_MR register) before configuring SPI\_CSRx registers.



## 40.5.9.4 SPI: Chip Select and Fixed Mode

In fixed Mode, if a transfer is performed through a PDC on a Chip select different from the Chip select 0, the output `spi_size` sampled by the PDC will depend on the field, BITS (Bits per Transfer) of SPI\_CSR0 register, whatever the selected Chip select is. For example, if SPI\_CSR0 is configured for a 10-bit transfer whereas SPI\_CSR1 is configured for an 8-bit transfer, when a transfer is performed in Fixed mode through the PDC, on Chip select 1, the transfer will be considered as a HalfWord transfer.

### Problem Fix/Workaround

If a PDC transfer has to be performed in 8 bits, on a Chip select `y` (`y` as different from 0), the BITS field of the SPI\_CSR0 must be configured in 8 bits, in the same way as the BITS field of the CSRy Register.

## 40.5.9.5 SPI: Baudrate Set to 1

When Baudrate is set at 1 (i.e. when serial clock frequency equals the system clock frequency) and when the BITS field of the SPI\_CSR register (number of bits to be transmitted) equals an ODD value (in this case 9,11,13 or 15), an additional pulse will be generated on output SPCK.

Everything is OK if the BITS field equals 8,10,12,14 or 16 and Baudrate = 1.

### Problem Fix/Workaround

None.

## 40.5.9.6 SPI: Disable In Slave Mode

The SPI disable is not possible in slave mode.

### Problem Fix/Workaround

Read first the received data, then perform the software reset.

## 40.5.9.7 SPI: Bad Serial Clock Generation on 2nd Chip Select

Bad Serial clock generation on the 2nd chip select when SCBR = 1, CPOL = 1 and NCPHA = 0.

This occurs using SPI with the following conditions:

- Master Mode
- CPOL = 1 and NCPHA = 0
- Multiple chip selects are used with one transfer with Baud rate (SCBR) equal to 1 (i.e., when serial clock frequency equals the system clock frequency) and the other transfers set with SCBR are not equal to 1
- Transmitting with the slowest chip select and then with the fastest one, then an additional pulse is generated on output SPCK during the second transfer.

### Problem Fix/Workaround

Do not use a multiple Chip Select configuration where at least one SCR<sub>x</sub> register is configured with SCBR = 1 and the others differ from 1 if NCPHA = 0 and CPOL = 1.

If all chip selects are configured with Baudrate = 1, the issue does not appear.

## 40.5.10 Synchronous Serial Controller (SSC)

### 40.5.10.1 SSC: Periodic Transmission Limitations in Master Mode

If the Least Significant Bit is sent first (MSBF = 0), the first TAG during the frame synchro is not sent.

#### Problem Fix/Workaround

None.

### 40.5.10.2 SSC: Transmitter Limitations in Slave Mode

If TK is programmed as output and TF is programmed as input, it is impossible to emit data when the start of edge (rising or falling) of synchro has a Start Delay equal to zero.

#### Problem Fix/Workaround

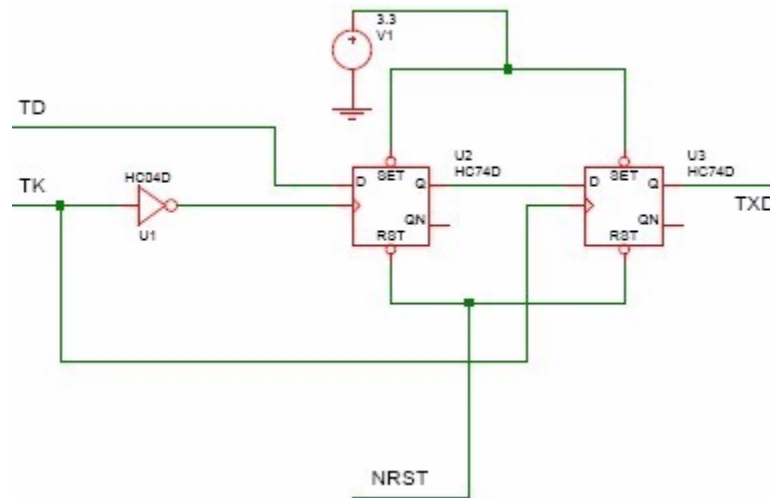
None.

### 40.5.10.3 SSC: Transmitter Limitations in Slave Mode

If TK is programmed as an input and TF is programmed as an output and requested to be set to low/high during data emission, the Frame Synchro signal is generated one bit clock period after the data start and one data bit is lost. This problem does not exist when generating a periodic synchro.

#### Problem Fix/Workaround

The data need to be delayed for one bit clock period with an external assembly. In the following schematic, TD, TK and NRST are AT91SAM7S signals, TXD is the delayed data to connect to the device.



## 40.5.11 Two-wire Interface (TWI)

### 40.5.11.1 TWI: Clock Divider

The value of  $CLDIV \times 2^{CKDIV}$  must be less than or equal to 8191, the value of  $CHDIV \times 2^{CKDIV}$  must be less than or equal to 8191.

#### Problem Fix/Workaround

None.

#### 40.5.11.2 TWI: Software Reset

When a software reset is performed during a frame and when TWCK is low, it is impossible to initiate a new transfer in READ or WRITE mode.

##### **Problem Fix/Workaround**

None.

#### 40.5.11.3 TWI: Disabling Does not Operate Correctly

Any transfer in progress is immediately frozen if the Control Register (TWI\_CR) is written with the bit MSDIS at 1. Furthermore, the status bits TXCOMP and TXRDY in the Status Register (TWI\_SR) are not reset.

##### **Problem Fix/Workaround**

The user must wait for the end of transfer before disabling the TWI. In addition, the interrupts must be disabled before disabling the TWI.

#### 40.5.11.4 TWI: NACK Status Bit Lost

During a master frame, if TWI\_SR is read between the Non Acknowledge condition detection and the TXCOMP bit rising in the TWI\_SR, the NACK bit is not set.

##### **Problem Fix/Workaround**

The user must wait for the TXCOMP status bit by interrupt and must not read the TWI\_SR as long as transmission is not completed.

TXCOMP and NACK fields are set simultaneously and the NACK field is reset after the read of the TWI\_SR.

#### 40.5.11.5 TWI: Possible Receive Holding Register Corruption

When loading the TWI\_RHR, the transfer direction is ignored. The last data byte received in the TWI\_RHR is corrupted at the end of the first subsequent transmit data byte. Neither RXRDY nor OVERRUN status bits are set if this occurs.

##### **Problem Fix/Workaround**

The user must be sure that received data is read before transmitting any new data.

### 40.5.12 Universal Synchronous Asynchronous Receiver Transmitter (USART)

#### 40.5.12.1 USART: CTS in Hardware Handshaking

When Hardware Handshaking is used and if CTS goes low near the end of the starting bit, a character can be lost.

##### **Problem Fix/Workaround**

CTS must not go low during a time slot occurring between 2 Master Clock periods before the starting bit and 16 Master Clock periods after the rising edge of the starting bit.

#### 40.5.12.2 USART: Hardware Handshaking – Two Characters Sent

If CTS switches from 0 to 1 during the TX of a character and if the holding register (US\_THR) is not empty, the content of US\_THR will also be transmitted.

##### **Problem Fix/Workaround**

Don't use the PDC in transmit mode and do not fill US\_THR before TXEMPTY is set at 1.

#### 40.5.12.3 *USART: XOFF Character Bad Behavior*

The XOFF character is sent only when the receive buffer is detected full. While the XOFF is being sent, the remote transmitter is still transmitting. As only one Holding register is available in the receiver, characters will be lost in reception. This makes the software handshaking functionality ineffective.

##### **Problem Fix/Workaround**

None.

#### 40.5.12.4 *USART: RXBRK Flag Error in Asynchronous Mode*

In receiver mode, when there are two consecutive characters (without timeguard in between), RXBRK is not taken into account. As a result, the RXBRK flag is not enabled correctly and the frame error flag is set.

##### **Problem Fix/Workaround**

Constraints on the transmitter device connected to the AT91SAM7S USART receiver side:

The transmitter may use the timeguard feature or send two STOP conditions. Only one STOP condition is taken into account by the receiver state machine. After this STOP condition, as there is no valid data, the receiver state machine will go in idle mode and enable the RXBRK flag.

#### 40.5.12.5 *USART: DCD is active High instead of Low*

The DCD signal is active at High level in the USART Modem Mode.

DCD should be active at Low level.

##### **Problem Fix/Workaround**

Add an inverter.

### 40.5.13 **Voltage Regulator**

#### 40.5.13.1 *Voltage Regulator: Current Consumption in Deep Mode*

Current consumption in Deep Mode is maximum 60  $\mu$ A instead of 25  $\mu$ A.

Due to current rejection from VDDIN to VDDCORE, the current consumption in Deep Mode cannot be guaranteed. Instead, 60  $\mu$ A is guaranteed whatever the condition.

##### **Problem Fix/Workaround**

None.

#### 40.5.13.2 *Voltage Regulator: Load Versus Temperature*

Maximum load is 50 mA at 85 °C (instead of 100 mA).

Maximum load is 100 mA at 70°C.

##### **Problem Fix/Workaround**

None.

### 40.5.14 **Watchdog Timer (WDT)**

#### 40.5.14.1 *WDT: The Watchdog Timer May Lock the Device in a Reset State*

Under certain rare circumstances, if the Watchdog Timer is used with the Watchdog Reset enabled (WDRSTEN set at 1), the Watchdog Timer may lock the device in a reset state when

the user restarts the watchdog (WDDRSTT). The only way to recover from this state is a power-on reset. The issue depends on the values of WDD and WDV in the WDT\_MR register.

### **Problem Fix/Workaround**

Two workarounds are possible.

1. Either do not use the Watchdog Timer with the Watchdog Reset enabled (WDRSTEN set at 1),
2. or set WDD to 0xFFFF and in addition use only one of the following values for WDV: 0xFFFF, 0xDFFF, 0xBFFF, 0x9FFF, 0x7FFF, 0x77F, 0x6FFF, 0x67F, 0x5FFF, 0x57F, 0x4FFF, 0x47F, 0x3FFF, 0x37F, 0x2FFF, 0x27F, 0x1FFF, 0x1BF, 0x17F, 0x13F, 0x0FF, 0x0DF, 0x0BF, 0x09F, 0x07F, 0x06F, 0x05F, 0x04F, 0x03F, 0x037, 0x02f, 0x027, 0x01F, 0x01B, 0x017, 0x013 and 0x00F.

#### **40.5.14.2 WDT: The Watchdog Timer Status Register and Interrupt**

Under certain rare circumstances, if the Watchdog Timer is used with the Watchdog Fault Interrupt enabled (WDFIEN set at 1), the Watchdog Timer may trigger the interrupt (wdt\_fault) erroneously. The Watchdog Timer Status Register may be wrong also (WDERR and WDUNF). The issue depends on the values of WDD and WDV in the WDT\_MR register.

### **Problem Fix/Workaround**

Two workarounds are possible.

1. Either do not use the Watchdog Timer with the Watchdog fault Interrupt enabled (WDFIEN set at 1),
2. or set WDD to 0xFFFF and in addition use only one of the following values for WDV: 0xFFFF, 0xDFFF, 0xBFFF, 0x9FFF, 0x7FFF, 0x77F, 0x6FFF, 0x67F, 0x5FFF, 0x57F, 0x4FFF, 0x47F, 0x3FFF, 0x37F, 0x2FFF, 0x27F, 0x1FFF, 0x1BF, 0x17F, 0x13F, 0x0FF, 0x0DF, 0x0BF, 0x09F, 0x07F, 0x06F, 0x05F, 0x04F, 0x03F, 0x037, 0x02f, 0x027, 0x01F, 0x01B, 0x017, 0x013 and 0x00F.

## 40.6 AT91SAM7S256 Errata - Revision A Parts

Refer to [Section 40.1 “Marking” on page 591](#).

Important: [Section 40.6.13.1 “WDT: The Watchdog Timer May Lock the Device in a Reset State”](#)

### 40.6.1 Chip ID

#### 40.6.1.1 *Wrong Chip ID Value*

The Chip ID is 0x270D 0940 instead of 0x270B 0940.

##### **Problem Fix/Workaround**

None.

### 40.6.2 Analog-to-Digital Converter (ADC)

#### 40.6.2.1 *ADC: DRDY Bit Cleared*

The DRDY Flag should be clear only after a read of ADC\_LCDR (Last Converted Data Register). A read of any ADC\_CDRx register (Channel Data Register) automatically clears the DRDY flag.

##### **Problem Fix/Workaround:**

None

#### 40.6.2.2 *ADC: DRDY not Cleared on Disable*

When reading LCDR at the same instant as an end of conversion, with DRDY already active, DRDY is kept active regardless of the enable status of the current channel. This sets DRDY, whereas new data is not stored.

##### **Problem Fix/Workaround**

None

#### 40.6.2.3 *ADC: DRDY Possibly Skipped due to CDR Read*

Reading CDR for channel “y” at the same instant as an end of conversion on channel “x” with EOC[x] already active, leads to skipping to set the DRDY flag if channel “x” is enabled.

##### **Problem Fix/Workaround**

Use of DRDY functionality with access to CDR registers should be avoided.

#### 40.6.2.4 *ADC: Possible Skip on DRDY when Disabling a Channel*

DRDY does not rise when disabling channel “y” at the same time as an end of “x” channel conversion, although data is stored into CDRx and LCDR.

##### **Problem Fix/Workaround**

None.

#### 40.6.2.5 *ADC: GOVRE Bit is not Updated*

Read of the Status Register at the same instant as an end of conversion leads to skipping the update of the GOVRE (general overrun) flag. GOVRE is neither reset nor set.

For example, if reading the status while an end of conversion is occurring and:

1. GOVRE is active but DRDY is inactive, does not correspond to a new general overrun condition but the GOVRE flag is not reset.
2. GOVRE is inactive but DRDY is active, does correspond to a new general overrun condition but the GOVRE flag is not set.

#### **Problem Fix/Workaround**

None

#### **40.6.2.6**     *ADC: GOVRE Bit is not Set when Reading CDR*

When reading CDR<sub>y</sub> (Channel Data Register y) at the same instant as an end of conversion on channel “x” with the following conditions:

- EOC[x] already active,
- DRDY already active,
- GOVRE inactive,
- previous data stored in LCDR being neither data from channel “y”, nor data from channel “x”.

GOVRE should be set but is not.

#### **Problem Fix/Workaround**

None

#### **40.6.2.7**     *ADC: GOVRE Bit is not Set when Disabling a Channel*

When disabling channel “y” at the same instant as an end of conversion on channel “x”, EOC[x] and DRDY being already active, GOVRE does not rise.

Note:    OVRE[x] rises as expected.

#### **Problem Fix/Workaround**

None

#### **40.6.2.8**     *ADC: OVRE Flag Behavior*

When the OVRE flag (on channel i) has been set but the related EOC status (of channel i) has been cleared (by a read of CDR<sub>i</sub> or LCDR), reading the Status register at the same instant as an end of conversion (causing the set of EOC status on channel i), does not lead to a reset of the OVRE flag (on channel i) as expected.

#### **Problem Fix/Workaround:**

None

#### **40.6.2.9**     *ADC: EOC Set although Channel Disabled*

If a channel is disabled while a conversion is running and if a read of CDR is performed at the same time as an end of conversion of any channel occurs, the EOC of the channel with the conversion running may rise (whereas it has been disabled).

#### **Problem Fix/Workaround**

Do not take into account the EOC of a disabled channel

#### **40.6.2.10**    *ADC: Spurious Clear of EOC Flag*

If “x” and “y” are two successively converted channels and “z” is yet another enabled channel (“z” being neither “x” nor “y”), reading CDR on channel “z” at the same instant as an end of conversion on channel “y” automatically clears EOC[x] instead of EOC[z].

#### **Problem Fix/Workaround**

None.

#### 40.6.2.11 ADC: Sleep Mode

If Sleep mode is activated while there is no activity (no conversion is being performed), it will take effect only after a conversion occurs.

##### Problem Fix/Workaround

To activate sleep mode as soon as possible, it is recommended to write successively, ADC Mode Register (SLEEP) then ADC Control Register (START bit field); to start an analog-to-digital conversion, in order put ADC into sleep mode at the end of this conversion.

### 40.6.3 Non Volatile Memory Bits (NVM Bits)

#### 40.6.3.1 NVM Bits: Write/Erase Cycles Number

The maximum number of write/erase cycles for Non Volatile Memory bits is 100. This includes Lock Bits (LOCKx), General Purpose NVM bits (GPNVMx) and the Security Bit.

This maximum number of write/erase cycles is not applicable to 256 KB Flash memory, it remains at 10K for the Flash memory.

##### Problem Fix/Workaround

None.

### 40.6.4 Parallel Input/Output Controller (PIO)

#### 40.6.4.1 PIO: Leakage on PA17 - PA20

When PA17, PA18, PA19 or PA20 (the I/O lines multiplexed with the analog inputs) are set as digital inputs with pull-up disabled, the leakage can be 9  $\mu$ A in worst case and 90 nA in typical case per I/O when the I/O is set externally at low level.

##### Problem Fix/Workaround

Set the I/O to VDDIO by internal or external pull-up.

#### 40.6.4.2 PIO: Electrical Characteristics on NRST and PA0-PA16 and PA21-31

When NRST or PA0-PA16 or PA21-PA31 are set as digital inputs with pull-up enabled, the voltage of the I/O stabilizes at VPull-up.

##### Vpull-up

| VPull-up Min   | VPull-up Max   |
|----------------|----------------|
| VDDIO - 0.65 V | VDDIO - 0.45 V |

This condition causes a leakage through VDDIO. This leakage is 45  $\mu$ A per pad in worst case at 3.3 V and 25  $\mu$ A at 1.8V.

##### I Leakage

| Parameter         | Typ         | Max        |
|-------------------|-------------|------------|
| I Leakage at 3,3V | 2.5 $\mu$ A | 45 $\mu$ A |
| I Leakage at 1.8V | 1 $\mu$ A   | 25 $\mu$ A |

##### Problem Fix/Workaround

It is recommended to use an external pull-up if needed.



## 40.6.4.3 PIO: Drive Low NRST, PA0-PA16 and PA21-PA31

When NRST or PA0-PA16 and or PA21-PA31 are set as digital inputs with pull-up enabled, driving the I/O with an output impedance higher than 500 ohms may not drive the I/O to a logical zero.

### **Problem Fix/Workaround**

Output impedance must be lower than 500 ohms.

## 40.6.5 Power Management Controller (PMC)

### 40.6.5.1 PMC: Slow Clock Selected in PMC and a Transition Occurs on PA1

Under certain rare circumstances, when CSS = 00 in PMC\_MCKR, and PA1 is set as an input and a transition occurs on PA1, device malfunction might occur.

### **Problem Fix/Workaround**

Do not transition PA1 as an input when CSS = 00 in PMC\_MCKR.

### 40.6.5.2 PMC: Programming CSS in PMC\_MCKR Register

Under certain rare circumstances, reprogramming the CSS value in the PMC\_MCKR register (i.e switching the main clock source) might generate malfunction of the device if the following two actions occur simultaneously.

1. Switching from:
  - PLL Clock to Slow Clock or
  - PLL Clock to Main Clock or
  - Main Clock to PLL Clock or
  - Main Clock to Slow Clock

And

2. Program code is being executed out of flash, **or** a transition is occurring on PA1, either as an input or output.

Note: This issue does not occur when transitioning from slow clock to main clock or from slow clock to PLL clock.

### **Problem Fix/Workaround**

When changing CSS in the PMC\_MCKR to switch from

- PLL Clock to Slow Clock or
- PLL Clock to Main Clock or
- Main Clock to PLL Clock or
- Main Clock to Slow Clock

Ensure that the processor is executing out of SRAM **and** ensure no transition occurs on PA1, either as an input or output, starting from writing to the PMC\_MCKR register until MCKRDY = 1.

## 40.6.6 Pulse Width Modulation Controller (PWM)

### 40.6.6.1 PWM: Update when PWM\_CCNTx = 0 or 1

If the Channel Counter Register value is 0 or 1, the Channel Period Register or Channel Duty Cycle Register is directly modified when writing the Channel Update Register.

### **Problem Fix/Workaround**

Check the Channel Counter Register before writing the update register.

#### 40.6.6.2 *PWM: Update when PWM\_CPRDx = 0*

When Channel Period Register equals 0, the period update is not operational.

##### **Problem Fix/Workaround**

Do not write 0 in the period register.

#### 40.6.6.3 *PWM: Counter Start Value*

In left aligned mode, the first start value of the counter is 0. For the other periods, the counter starts at 1.

##### **Problem Fix/Workaround**

None.

#### 40.6.6.4 *PWM: Constraints on Duty Cycle Value*

Setting Channel Duty Cycle Register (PWM\_CDTYx) at 0 in center aligned mode or at 0 or 1 in left aligned mode may change the polarity of the signal.

##### **Problem Fix/Workaround**

Do not set PWM\_CDTYx at 0 in center aligned mode.

Do not set PWM\_CDTYx at 0 or 1 in left aligned mode.

#### 40.6.6.5 *PWM: Behavior of CHIDx Status Bits in the PWM\_SR Register*

Erratic behavior of the CHIDx status bit in the PWM\_SR Register. When a channel is disabled by writing in the PWM\_DIS Register just after enabling it (before completion of a Clock Period of the clock selected for the channel), the PWM line is internally disabled but the CHIDx status bit in the PWM\_SR stays at 1.

##### **Problem Fix/Workaround**

Do not disable a channel before completion of one period of the selected clock.

### 40.6.7 **Real Time Timer (RTT)**

#### 40.6.7.1 *RTT: Possible Event Loss when Reading RTT\_SR*

If an event (RTTINC or ALMS) occurs within the same slow clock cycle during which the RTT\_SR is read, the corresponding bit might be cleared. This can lead to the loss of this event.

##### **Problem Fix/Workaround:**

The software must handle the RTT event as an interrupt and should not poll RTT\_SR.

#### 40.6.7.2 *RTT: RTT\_VR May be Corrupted*

Under certain rare circumstances, the Real-time Timer Value (RTT\_VR) may be corrupted.

##### **Problem Fix/Workaround**

Use RTTINC as an increment for a software counter.

### 40.6.8 **Serial Peripheral Interface (SPI)**

#### 40.6.8.1 *SPI: Bad tx\_ready Behavior when CSAAT = 1 and SCBR = 1*

If the SPI is programmed with CSAAT = 1, SCBR(baudrate) = 1 and two transfers are performed consecutively on the same slave with an IDLE state between them, the tx\_ready signal does not rise after the second data has been transferred in the shifter. This can imply for example, that the second data is sent twice.

## Problem Fix/Workaround

Do not use the combination CSAAT = 1 and SCBR = 1.

### 40.6.8.2 SPI: LASTXFER (Last Transfer) Behavior

In FIXED Mode, with CSAAT bit set, and in “PDC mode” the Chip Select can rise depending on the data written in the SPI\_TDR when the TX\_EMPTY flag is set. If for example, the PDC writes a “1” in the bit 24 (LASTXFER bit) of the SPI\_TDR, the chip select will rise as soon as the TXEMPTY flag is set.

## Problem Fix/Workaround

Use the CS in PIO mode when PDC mode is required and CS has to be maintained between transfers.

### 40.6.8.3 SPI: SPCK Behavior in Master Mode

SPCK pin can toggle out before the first transfer in Master Mode.

Problem Fix/Workaround

In Master Mode, MSTR bit must be set (in SPI\_MR register) before configuring SPI\_CSRx registers.

### 40.6.8.4 SPI: Chip Select and Fixed Mode

In fixed Mode, if a transfer is performed through a PDC on a Chip select different from the Chip select 0, the output spi\_size sampled by the PDC will depend on the field, BITS (Bits per Transfer) of SPI\_CSR0 register, whatever the selected Chip select is. For example, if SPI\_CSR0 is configured for a 10-bit transfer whereas SPI\_CSR1 is configured for an 8-bit transfer, when a transfer is performed in Fixed mode through the PDC, on Chip select 1, the transfer will be considered as a HalfWord transfer.

## Problem Fix/Workaround

If a PDC transfer has to be performed in 8 bits, on a Chip select y (y as different from 0), the BITS field of the SPI\_CSR0 must be configured in 8 bits, in the same way as the BITS field of the CSRy Register.

### 40.6.8.5 SPI: Baudrate Set to 1

When Baudrate is set at 1 (i.e. when serial clock frequency equals the system clock frequency) and when the BITS field of the SPI\_CSR register (number of bits to be transmitted) equals an ODD value (in this case 9,11,13 or 15), an additional pulse will be generated on output SPCK.

Everything is OK if the BITS field equals 8,10,12,14 or 16 and Baudrate = 1.

## Problem Fix/Workaround

None.

### 40.6.8.6 SPI: Disable In Slave Mode

The SPI disable is not possible in slave mode.

## Problem Fix/Workaround

Read first the received data, then perform the software reset.

#### 40.6.8.7 *SPI: Bad Serial Clock Generation on 2nd Chip Select*

Bad Serial clock generation on the 2nd chip select when SCBR = 1, CPOL = 1 and NCPHA = 0.

This occurs using SPI with the following conditions:

- Master Mode
- CPOL = 1 and NCPHA = 0
- Multiple chip selects are used with one transfer with Baud rate (SCBR) equal to 1 (i.e., when serial clock frequency equals the system clock frequency) and the other transfers set with SCBR are not equal to 1
- Transmitting with the slowest chip select and then with the fastest one, then an additional pulse is generated on output SPCK during the second transfer.

##### **Problem Fix/Workaround**

Do not use a multiple Chip Select configuration where at least one SCRx register is configured with SCBR = 1 and the others differ from 1 if NCPHA = 0 and CPOL = 1.

If all chip selects are configured with Baudrate = 1, the issue does not appear.

### 40.6.9 Synchronous Serial Controller (SSC)

#### 40.6.9.1 *SSC: Periodic Transmission Limitations in Master Mode*

If the Least Significant Bit is sent first (MSBF = 0), the first TAG during the frame synchro is not sent.

##### **Problem Fix/Workaround**

None.

#### 40.6.9.2 *SSC: Transmitter Limitations in Slave Mode*

If TK is programmed as output and TF is programmed as input, it is impossible to emit data when the start of edge (rising or falling) of synchro has a Start Delay equal to zero.

##### **Problem Fix/Workaround**

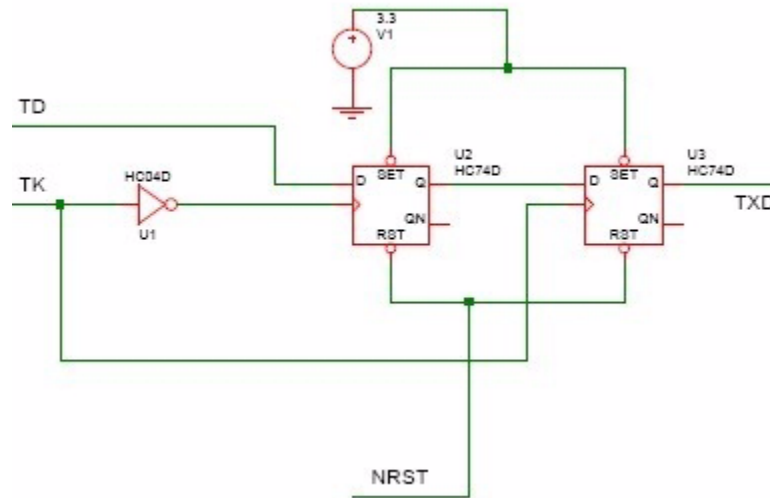
None.

#### 40.6.9.3 *SSC: Transmitter Limitations in Slave Mode*

If TK is programmed as an input and TF is programmed as an output and requested to be set to low/high during data emission, the Frame Synchro signal is generated one bit clock period after the data start and one data bit is lost. This problem does not exist when generating a periodic synchro.

##### **Problem Fix/Workaround**

The data need to be delayed for one bit clock period with an external assembly. In the following schematic, TD, TK and NRST are AT91SAM7S signals, TXD is the delayed data to connect to the device.



## 40.6.10 Two-wire Interface (TWI)

### 40.6.10.1 TWI: Clock Divider

The value of  $CLDIV \times 2^{CKDIV}$  must be less than or equal to 8191, the value of  $CHDIV \times 2^{CKDIV}$  must be less than or equal to 8191.

#### Problem Fix/Workaround

None.

### 40.6.10.2 TWI: Software Reset

when a software reset is performed during a frame and when TWCK is low, it is impossible to initiate a new transfer in READ or WRITE mode.

#### Problem Fix/Workaround

None.

### 40.6.10.3 TWI: Disabling Does not Operate Correctly

Any transfer in progress is immediately frozen if the Control Register (TWI\_CR) is written with the bit MSDIS at 1. Furthermore, the status bits TXCOMP and TXRDY in the Status Register (TWI\_SR) are not reset.

#### Problem Fix/Workaround

The user must wait for the end of transfer before disabling the TWI. In addition, the interrupts must be disabled before disabling the TWI.

### 40.6.10.4 TWI: NACK Status Bit Lost

During a master frame, if TWI\_SR is read between the Non Acknowledge condition detection and the TXCOMP bit rising in the TWI\_SR, the NACK bit is not set.

#### Problem Fix/Workaround

The user must wait for the TXCOMP status bit by interrupt and must not read the TWI\_SR as long as transmission is not completed.

TXCOMP and NACK fields are set simultaneously and the NACK field is reset after the read of the TWI\_SR.

#### 40.6.10.5 *TWI: Possible Receive Holding Register Corruption*

When loading the TWI\_RHR, the transfer direction is ignored. The last data byte received in the TWI\_RHR is corrupted at the end of the first subsequent transmit data byte. Neither RXRDY nor OVERRUN status bits are set if this occurs.

##### **Problem Fix/Workaround**

The user must be sure that received data is read before transmitting any new data.

### 40.6.11 Universal Synchronous Asynchronous Receiver Transmitter (USART)

#### 40.6.11.1 *USART: CTS in Hardware Handshaking*

When Hardware Handshaking is used and if CTS goes low near the end of the starting bit, a character can be lost.

##### **Problem Fix/Workaround**

CTS must not go low during a time slot occurring between 2 Master Clock periods before the starting bit and 16 Master Clock periods after the rising edge of the starting bit.

#### 40.6.11.2 *USART: Hardware Handshaking – Two Characters Sent*

If CTS switches from 0 to 1 during the TX of a character and if the holding register (US\_THR) is not empty, the content of US\_THR will also be transmitted.

##### **Problem Fix/Workaround**

Don't use the PDC in transmit mode and do not fill US\_THR before TXEMPTY is set at 1.

#### 40.6.11.3 *USART: XOFF Character Bad Behavior*

The XOFF character is sent only when the receive buffer is detected full. While the XOFF is being sent, the remote transmitter is still transmitting. As only one Holding register is available in the receiver, characters will be lost in reception. This makes the software handshaking functionality ineffective.

##### **Problem Fix/Workaround**

None.

#### 40.6.11.4 *USART: RXBRK Flag Error in Asynchronous Mode*

In receiver mode, when there are two consecutive characters (without timeguard in between), RXBRK is not taken into account. As a result, the RXBRK flag is not enabled correctly and the frame error flag is set.

##### **Problem Fix/Workaround**

Constraints on the transmitter device connected to the AT91SAM7S USART receiver side:

The transmitter may use the timeguard feature or send two STOP conditions. Only one STOP condition is taken into account by the receiver state machine. After this STOP condition, as there is no valid data, the receiver state machine will go in idle mode and enable the RXBRK flag.

#### 40.6.11.5 *USART: DCD is active High instead of Low*

The DCD signal is active at High level in the USART Modem Mode.

DCD should be active at Low level.

## Problem Fix/Workaround

Add an inverter.

### 40.6.12 Voltage Regulator

#### 40.6.12.1 Voltage Regulator: Current Consumption in Deep Mode

Current consumption in Deep Mode is maximum 60  $\mu$ A instead of 25  $\mu$ A.

Due to current rejection from VDDIN to VDDCORE, the current consumption in Deep Mode cannot be guaranteed. Instead, 60  $\mu$ A is guaranteed whatever the condition.

## Problem Fix/Workaround

None.

#### 40.6.12.2 Voltage Regulator: Load Versus Temperature

Maximum load is 50 mA at 85 °C (instead of 100 mA).

Maximum load is 100 mA at 70°C.

## Problem Fix/Workaround

None.

### 40.6.13 Watchdog Timer (WDT)

#### 40.6.13.1 WDT: The Watchdog Timer May Lock the Device in a Reset State

Under certain rare circumstances, if the Watchdog Timer is used with the Watchdog Reset enabled (WDRSTEN set at 1), the Watchdog Timer may lock the device in a reset state when the user restarts the watchdog (WDDRSTT). The only way to recover from this state is a power-on reset. The issue depends on the values of WDD and WDV in the WDT\_MR register.

## Problem Fix/Workaround

Two workarounds are possible.

1. Either do not use the Watchdog Timer with the Watchdog Reset enabled (WDRSTEN set at 1),
2. or set WDD to 0xFFF and in addition use only one of the following values for WDV: 0xFFF, 0xDFF, 0xBFF, 0x9FF, 0x7FF, 0x77F, 0x6FF, 0x67F, 0x5FF, 0x57F, 0x4FF, 0x47F, 0x3FF, 0x37F, 0x2FF, 0x27F, 0x1FF, 0x1BF, 0x17F, 0x13F, 0x0FF, 0x0DF, 0x0BF, 0x09F, 0x07F, 0x06F, 0x05F, 0x04F, 0x03F, 0x037, 0x02f, 0x027, 0x01F, 0x01B, 0x017, 0x013 and 0x00F.

#### 40.6.13.2 WDT: The Watchdog Timer Status Register and Interrupt

Under certain rare circumstances, if the Watchdog Timer is used with the Watchdog Fault Interrupt enabled (WDFIEN set at 1), the Watchdog Timer may trigger the interrupt (wdt\_fault) erroneously. The Watchdog Timer Status Register may be wrong also (WDERR and WDUNF). The issue depends on the values of WDD and WDV in the WDT\_MR register.

## Problem Fix/Workaround

Two workarounds are possible.

1. Either do not use the Watchdog Timer with the Watchdog fault Interrupt enabled (WDFIEN set at 1),
2. or set WDD to 0xFFF and in addition use only one of the following values for WDV: 0xFFF, 0xDFF, 0xBFF, 0x9FF, 0x7FF, 0x77F, 0x6FF, 0x67F, 0x5FF, 0x57F, 0x4FF,



0x47F, 0x3FF, 0x37F, 0x2FF, 0x27F, 0x1FF, 0x1BF, 0x17F, 0x13F, 0x0FF, 0x0DF, 0x0BF, 0x09F, 0x07F, 0x06F, 0x05F, 0x04F, 0x03F, 0x037, 0x02f, 0x027, 0x01F, 0x01B, 0x017, 0x013 and 0x00F.

## 40.7 AT91SAM7S256 Errata - Revision B Parts

Refer to [Section 40.1 “Marking” on page 591](#).

Note: AT91SAM7S256 Revision B chip ID is 0x270B 0941.

### 40.7.1 Analog-to-Digital Converter (ADC)

#### 40.7.1.1 ADC: DRDY Bit Cleared

The DRDY Flag should be clear only after a read of ADC\_LCDCR (Last Converted Data Register). A read of any ADC\_CDRx register (Channel Data Register) automatically clears the DRDY flag.

**Problem Fix/Workaround:**

None

#### 40.7.1.2 ADC: DRDY not Cleared on Disable

When reading LCDR at the same instant as an end of conversion, with DRDY already active, DRDY is kept active regardless of the enable status of the current channel. This sets DRDY, whereas new data is not stored.

**Problem Fix/Workaround**

None

#### 40.7.1.3 ADC: DRDY Possibly Skipped due to CDR Read

Reading CDR for channel “y” at the same instant as an end of conversion on channel “x” with EOC[x] already active, leads to skipping to set the DRDY flag if channel “x” is enabled.

**Problem Fix/Workaround**

Use of DRDY functionality with access to CDR registers should be avoided.

#### 40.7.1.4 ADC: Possible Skip on DRDY when Disabling a Channel

DRDY does not rise when disabling channel “y” at the same time as an end of “x” channel conversion, although data is stored into CDRx and LCDR.

**Problem Fix/Workaround**

None.

#### 40.7.1.5 ADC: GOVRE Bit is not Updated

Read of the Status Register at the same instant as an end of conversion leads to skipping the update of the GOVRE (general overrun) flag. GOVRE is neither reset nor set.

For example, if reading the status while an end of conversion is occurring and:

1. GOVRE is active but DRDY is inactive, does not correspond to a new general overrun condition but the GOVRE flag is not reset.
2. GOVRE is inactive but DRDY is active, does correspond to a new general overrun condition but the GOVRE flag is not set.

**Problem Fix/Workaround**

None



## 40.7.1.6 *ADC: GOVRE Bit is not Set when Reading CDR*

When reading CDR<sub>y</sub> (Channel Data Register y) at the same instant as an end of conversion on channel “x” with the following conditions:

- EOC[x] already active,
- DRDY already active,
- GOVRE inactive,
- previous data stored in LCDR being neither data from channel “y”, nor data from channel “x”.

GOVRE should be set but is not.

### **Problem Fix/Workaround**

None

## 40.7.1.7 *ADC: GOVRE Bit is not Set when Disabling a Channel*

When disabling channel “y” at the same instant as an end of conversion on channel “x”, EOC[x] and DRDY being already active, GOVRE does not rise.

Note: OVRE[x] rises as expected.

### **Problem Fix/Workaround**

None

## 40.7.1.8 *ADC: OVRE Flag Behavior*

When the OVRE flag (on channel i) has been set but the related EOC status (of channel i) has been cleared (by a read of CDR<sub>i</sub> or LCDR), reading the Status register at the same instant as an end of conversion (causing the set of EOC status on channel i), does not lead to a reset of the OVRE flag (on channel i) as expected.

### **Problem Fix/Workaround:**

None

## 40.7.1.9 *ADC: EOC Set although Channel Disabled*

If a channel is disabled while a conversion is running and if a read of CDR is performed at the same time as an end of conversion of any channel occurs, the EOC of the channel with the conversion running may rise (whereas it has been disabled).

### **Problem Fix/Workaround**

Do not take into account the EOC of a disabled channel

## 40.7.1.10 *ADC: Spurious Clear of EOC Flag*

If “x” and “y” are two successively converted channels and “z” is yet another enabled channel (“z” being neither “x” nor “y”), reading CDR on channel “z” at the same instant as an end of conversion on channel “y” automatically clears EOC[x] instead of EOC[z].

### **Problem Fix/Workaround**

None.

## 40.7.1.11 *ADC: Sleep Mode*

If Sleep mode is activated while there is no activity (no conversion is being performed), it will take effect only after a conversion occurs.

### **Problem Fix/Workaround**

To activate sleep mode as soon as possible, it is recommended to write successively, ADC Mode Register (SLEEP) then ADC Control Register (START bit field); to start an analog-to-digital conversion, in order put ADC into sleep mode at the end of this conversion.

## 40.7.2 Non Volatile Memory Bits (NVM Bits)

### 40.7.2.1 NVM Bits: Write/Erase Cycles Number

The maximum number of write/erase cycles for Non Volatile Memory bits is 100. This includes Lock Bits (LOCKx), General Purpose NVM bits (GPNVMx) and the Security Bit.

This maximum number of write/erase cycles is not applicable to 256 KB Flash memory, it remains at 10K for the Flash memory.

#### Problem Fix/Workaround

None.

## 40.7.3 Parallel Input/Output Controller (PIO)

### 40.7.3.1 PIO: Electrical Characteristics on NRST and PA0-PA16 and PA21-31

When NRST or PA0-PA16 or PA21-PA31 are set as digital inputs with pull-up enabled, the voltage of the I/O stabilizes at VPull-up.

#### Vpull-up

| VPull-up Min   | VPull-up Max   |
|----------------|----------------|
| VDDIO - 0.65 V | VDDIO - 0.45 V |

This condition causes a leakage through VDDIO. This leakage is 45  $\mu$ A per pad in worst case at 3.3 V and 25  $\mu$ A at 1.8V.

#### I Leakage

| Parameter         | Typ         | Max        |
|-------------------|-------------|------------|
| I Leakage at 3,3V | 2.5 $\mu$ A | 45 $\mu$ A |
| I Leakage at 1.8V | 1 $\mu$ A   | 25 $\mu$ A |

#### Problem Fix/Workaround

It is recommended to use an external pull-up if needed.

### 40.7.3.2 PIO: Drive Low NRST, PA0-PA16 and PA21-PA31

When NRST or PA0-PA16 and or PA21-PA31 are set as digital inputs with pull-up enabled, driving the I/O with an output impedance higher than 500 ohms may not drive the I/O to a logical zero.

#### Problem Fix/Workaround

Output impedance must be lower than 500 ohms.

## 40.7.4 Pulse Width Modulation Controller (PWM)

### 40.7.4.1 PWM: Update when PWM\_CCNTx = 0 or 1

If the Channel Counter Register value is 0 or 1, the Channel Period Register or Channel Duty Cycle Register is directly modified when writing the Channel Update Register.

## **Problem Fix/Workaround**

Check the Channel Counter Register before writing the update register.

### **40.7.4.2** *PWM: Update when PWM\_CPRD<sub>x</sub> = 0*

When Channel Period Register equals 0, the period update is not operational.

## **Problem Fix/Workaround**

Do not write 0 in the period register.

### **40.7.4.3** *PWM: Counter Start Value*

In left aligned mode, the first start value of the counter is 0. For the other periods, the counter starts at 1.

## **Problem Fix/Workaround**

None.

### **40.7.4.4** *PWM: Constraints on Duty Cycle Value*

Setting Channel Duty Cycle Register (PWM\_CDTY<sub>x</sub>) at 0 in center aligned mode or at 0 or 1 in left aligned mode may change the polarity of the signal.

## **Problem Fix/Workaround**

Do not set PWM\_CDTY<sub>x</sub> at 0 in center aligned mode.

Do not set PWM\_CDTY<sub>x</sub> at 0 or 1 in left aligned mode.

### **40.7.4.5** *PWM: Behavior of CHID<sub>x</sub> Status Bits in the PWM\_SR Register*

Erratic behavior of the CHID<sub>x</sub> status bit in the PWM\_SR Register. When a channel is disabled by writing in the PWM\_DIS Register just after enabling it (before completion of a Clock Period of the clock selected for the channel), the PWM line is internally disabled but the CHID<sub>x</sub> status bit in the PWM\_SR stays at 1.

## **Problem Fix/Workaround**

Do not disable a channel before completion of one period of the selected clock.

## **40.7.5 Real Time Timer (RTT)**

### **40.7.5.1** *RTT: Possible Event Loss when Reading RTT\_SR*

If an event (RTTINC or ALMS) occurs within the same slow clock cycle during which the RTT\_SR is read, the corresponding bit might be cleared. This can lead to the loss of this event.

## **Problem Fix/Workaround:**

The software must handle the RTT event as an interrupt and should not poll RTT\_SR.

## **40.7.6 Serial Peripheral Interface (SPI)**

### **40.7.6.1** *SPI: Software Reset Must be Written Twice*

If a software reset (SWRST in the SPI Control Register) is performed, the SPI may not work properly (the clock is enabled before the chip select).

## **Problem Fix/Workaround**

The SPI Control Register field, SWRST needs to be written twice to be set correctly.

40.7.6.2 *SPI: Bad tx\_ready Behavior when CSAAT = 1 and SCBR = 1*

If the SPI is programmed with CSAAT = 1, SCBR(baudrate) = 1 and two transfers are performed consecutively on the same slave with an IDLE state between them, the tx\_ready signal does not rise after the second data has been transferred in the shifter. This can imply for example, that the second data is sent twice.

**Problem Fix/Workaround**

Do not use the combination CSAAT = 1 and SCBR = 1.

40.7.6.3 *SPI: LASTXFER (Last Transfer) Behavior*

In FIXED Mode, with CSAAT bit set, and in “PDC mode” the Chip Select can rise depending on the data written in the SPI\_TDR when the TX\_EMPTY flag is set. If for example, the PDC writes a “1” in the bit 24 (LASTXFER bit) of the SPI\_TDR, the chip select will rise as soon as the TXEMPTY flag is set.

**Problem Fix/Workaround**

Use the CS in PIO mode when PDC mode is required and CS has to be maintained between transfers.

40.7.6.4 *SPI: SPCK Behavior in Master Mode*

SPCK pin can toggle out before the first transfer in Master Mode.

**Problem Fix/Workaround**

In Master Mode, MSTR bit must be set (in SPI\_MR register) before configuring SPI\_CSRx registers.

40.7.6.5 *SPI: Chip Select and Fixed Mode*

In fixed Mode, if a transfer is performed through a PDC on a Chip select different from the Chip select 0, the output spi\_size sampled by the PDC will depend on the field, BITS (Bits per Transfer) of SPI\_CSR0 register, whatever the selected Chip select is. For example, if SPI\_CSR0 is configured for a 10-bit transfer whereas SPI\_CSR1 is configured for an 8-bit transfer, when a transfer is performed in Fixed mode through the PDC, on Chip select 1, the transfer will be considered as a HalfWord transfer.

**Problem Fix/Workaround**

If a PDC transfer has to be performed in 8 bits, on a Chip select y (y as different from 0), the BITS field of the SPI\_CSR0 must be configured in 8 bits, in the same way as the BITS field of the CSRy Register.

40.7.6.6 *SPI: Baudrate Set to 1*

When Baudrate is set at 1 (i.e. when serial clock frequency equals the system clock frequency) and when the BITS field of the SPI\_CSR register (number of bits to be transmitted) equals an ODD value (in this case 9,11,13 or 15), an additional pulse will be generated on output SPCK.

Everything is OK if the BITS field equals 8,10,12,14 or 16 and Baudrate = 1.

**Problem Fix/Workaround**

None.

40.7.6.7 *SPI: Disable In Slave Mode*

The SPI disable is not possible in slave mode.

## Problem Fix/Workaround

Read first the received data, then perform the software reset.

### 40.7.6.8 SPI: Bad Serial Clock Generation on 2nd Chip Select

Bad Serial clock generation on the 2nd chip select when SCBR = 1, CPOL = 1 and NCPHA = 0.

This occurs using SPI with the following conditions:

- Master Mode
- CPOL = 1 and NCPHA = 0
- Multiple chip selects are used with one transfer with Baud rate (SCBR) equal to 1 (i.e., when serial clock frequency equals the system clock frequency) and the other transfers set with SCBR are not equal to 1
- Transmitting with the slowest chip select and then with the fastest one, then an additional pulse is generated on output SPCK during the second transfer.

## Problem Fix/Workaround

Do not use a multiple Chip Select configuration where at least one SCRx register is configured with SCBR = 1 and the others differ from 1 if NCPHA = 0 and CPOL = 1.

If all chip selects are configured with Baudrate = 1, the issue does not appear.

## 40.7.7 Synchronous Serial Controller (SSC)

### 40.7.7.1 SSC: Periodic Transmission Limitations in Master Mode

If the Least Significant Bit is sent first (MSBF = 0), the first TAG during the frame synchro is not sent.

## Problem Fix/Workaround

None.

### 40.7.7.2 SSC: Transmitter Limitations in Slave Mode

If TK is programmed as output and TF is programmed as input, it is impossible to emit data when the start of edge (rising or falling) of synchro has a Start Delay equal to zero.

## Problem Fix/Workaround

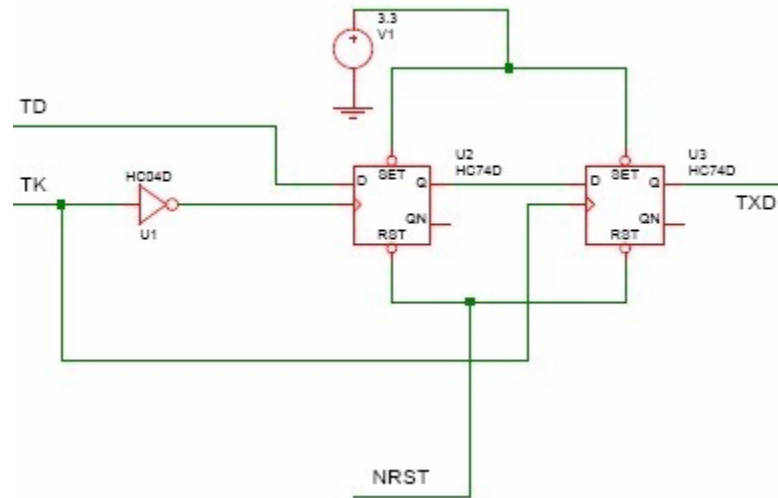
None.

### 40.7.7.3 SSC: Transmitter Limitations in Slave Mode

If TK is programmed as an input and TF is programmed as an output and requested to be set to low/high during data emission, the Frame Synchro signal is generated one bit clock period after the data start and one data bit is lost. This problem does not exist when generating a periodic synchro.

## Problem Fix/Workaround

The data need to be delayed for one bit clock period with an external assembly. In the following schematic, TD, TK and NRST are AT91SAM7S signals, TXD is the delayed data to connect to the device.



## 40.7.8 Two-wire Interface (TWI)

### 40.7.8.1 TWI: Clock Divider

The value of  $CLDIV \times 2^{CKDIV}$  must be less than or equal to 8191, the value of  $CHDIV \times 2^{CKDIV}$  must be less than or equal to 8191.

#### Problem Fix/Workaround

None.

### 40.7.8.2 TWI: Software Reset

when a software reset is performed during a frame and when TWCK is low, it is impossible to initiate a new transfer in READ or WRITE mode.

#### Problem Fix/Workaround

None.

### 40.7.8.3 TWI: Disabling Does not Operate Correctly

Any transfer in progress is immediately frozen if the Control Register (TWI\_CR) is written with the bit MSDIS at 1. Furthermore, the status bits TXCOMP and TXRDY in the Status Register (TWI\_SR) are not reset.

#### Problem Fix/Workaround

The user must wait for the end of transfer before disabling the TWI. In addition, the interrupts must be disabled before disabling the TWI.

### 40.7.8.4 TWI: NACK Status Bit Lost

During a master frame, if TWI\_SR is read between the Non Acknowledge condition detection and the TXCOMP bit rising in the TWI\_SR, the NACK bit is not set.

#### Problem Fix/Workaround

The user must wait for the TXCOMP status bit by interrupt and must not read the TWI\_SR as long as transmission is not completed.

TXCOMP and NACK fields are set simultaneously and the NACK field is reset after the read of the TWI\_SR.

#### 40.7.8.5 *TWI: Possible Receive Holding Register Corruption*

When loading the TWI\_RHR, the transfer direction is ignored. The last data byte received in the TWI\_RHR is corrupted at the end of the first subsequent transmit data byte. Neither RXRDY nor OVERRUN status bits are set if this occurs.

##### **Problem Fix/Workaround**

The user must be sure that received data is read before transmitting any new data.

### 40.7.9 Universal Synchronous Asynchronous Receiver Transmitter (USART)

#### 40.7.9.1 *USART: CTS in Hardware Handshaking*

When Hardware Handshaking is used and if CTS goes low near the end of the starting bit, a character can be lost.

##### **Problem Fix/Workaround**

CTS must not go low during a time slot occurring between 2 Master Clock periods before the starting bit and 16 Master Clock periods after the rising edge of the starting bit.

#### 40.7.9.2 *USART: Hardware Handshaking – Two Characters Sent*

If CTS switches from 0 to 1 during the TX of a character and if the holding register (US\_THR) is not empty, the content of US\_THR will also be transmitted.

##### **Problem Fix/Workaround**

Don't use the PDC in transmit mode and do not fill US\_THR before TXEMPTY is set at 1.

#### 40.7.9.3 *USART: XOFF Character Bad Behavior*

The XOFF character is sent only when the receive buffer is detected full. While the XOFF is being sent, the remote transmitter is still transmitting. As only one Holding register is available in the receiver, characters will be lost in reception. This makes the software handshaking functionality ineffective.

##### **Problem Fix/Workaround**

None.

#### 40.7.9.4 *USART: RXBRK Flag Error in Asynchronous Mode*

In receiver mode, when there are two consecutive characters (without timeguard in between), RXBRK is not taken into account. As a result, the RXBRK flag is not enabled correctly and the frame error flag is set.

##### **Problem Fix/Workaround**

Constraints on the transmitter device connected to the AT91SAM7S USART receiver side:

The transmitter may use the timeguard feature or send two STOP conditions. Only one STOP condition is taken into account by the receiver state machine. After this STOP condition, as there is no valid data, the receiver state machine will go in idle mode and enable the RXBRK flag.

#### 40.7.9.5 *USART: DCD is active High instead of Low*

The DCD signal is active at High level in the USART Modem Mode.

DCD should be active at Low level.

**Problem Fix/Workaround**

Add an inverter.

**40.7.10 Voltage Regulator**

*40.7.10.1 Voltage Regulator: Current Consumption in Deep Mode*

Current consumption in Deep Mode is maximum 60  $\mu$ A instead of 25  $\mu$ A.

Due to current rejection from VDDIN to VDDCORE, the current consumption in Deep Mode cannot be guaranteed. Instead, 60  $\mu$ A is guaranteed whatever the condition.

**Problem Fix/Workaround**

None.

*40.7.10.2 Voltage Regulator: Load Versus Temperature*

Maximum load is 50 mA at 85 °C (instead of 100 mA).

Maximum load is 100 mA at 70°C.

**Problem Fix/Workaround**

None.



## 40.8 AT91SAM7S128 Errata - Manufacturing Number 58818C

Refer to [Section 40.1 “Marking” on page 591](#).

Important: [Section 40.8.14.1 “WDT: The Watchdog Timer May Lock the Device in a Reset State”](#)

### 40.8.1 Chip ID

#### 40.8.1.1 *Wrong Chip ID Value*

The Chip ID is 0x270C0740 instead of 0x270A0740.

##### **Problem Fix/Workaround**

None.

### 40.8.2 Analog-to-Digital Converter (ADC)

#### 40.8.2.1 *ADC: DRDY Bit Cleared*

The DRDY Flag should be clear only after a read of ADC\_LCDR (Last Converted Data Register). A read of any ADC\_CDRx register (Channel Data Register) automatically clears the DRDY flag.

##### **Problem Fix/Workaround:**

None

#### 40.8.2.2 *ADC: DRDY not Cleared on Disable*

When reading LCDR at the same instant as an end of conversion, with DRDY already active, DRDY is kept active regardless of the enable status of the current channel. This sets DRDY, whereas new data is not stored.

##### **Problem Fix/Workaround**

None

#### 40.8.2.3 *ADC: DRDY Possibly Skipped due to CDR Read*

Reading CDR for channel “y” at the same instant as an end of conversion on channel “x” with EOC[x] already active, leads to skipping to set the DRDY flag if channel “x” is enabled.

##### **Problem Fix/Workaround**

Use of DRDY functionality with access to CDR registers should be avoided.

#### 40.8.2.4 *ADC: Possible Skip on DRDY when Disabling a Channel*

DRDY does not rise when disabling channel “y” at the same time as an end of “x” channel conversion, although data is stored into CDRx and LCDR.

##### **Problem Fix/Workaround**

None.

#### 40.8.2.5 *ADC: GOVRE Bit is not Updated*

Read of the Status Register at the same instant as an end of conversion leads to skipping the update of the GOVRE (general overrun) flag. GOVRE is neither reset nor set.

For example, if reading the status while an end of conversion is occurring and:

1. GOVRE is active but DRDY is inactive, does not correspond to a new general overrun condition but the GOVRE flag is not reset.
2. GOVRE is inactive but DRDY is active, does correspond to a new general overrun condition but the GOVRE flag is not set.

**Problem Fix/Workaround**

None

**40.8.2.6**     *ADC: GOVRE Bit is not Set when Reading CDR*

When reading CDR<sub>y</sub> (Channel Data Register y) at the same instant as an end of conversion on channel “x” with the following conditions:

- EOC[x] already active,
- DRDY already active,
- GOVRE inactive,
- previous data stored in LCCR being neither data from channel “y”, nor data from channel “x”.

GOVRE should be set but is not.

**Problem Fix/Workaround**

None

**40.8.2.7**     *ADC: GOVRE Bit is not Set when Disabling a Channel*

When disabling channel “y” at the same instant as an end of conversion on channel “x”, EOC[x] and DRDY being already active, GOVRE does not rise.

Note:    OVRE[x] rises as expected.

**Problem Fix/Workaround**

None

**40.8.2.8**     *ADC: OVRE Flag Behavior*

When the OVRE flag (on channel i) has been set but the related EOC status (of channel i) has been cleared (by a read of CDR<sub>i</sub> or LCCR), reading the Status register at the same instant as an end of conversion (causing the set of EOC status on channel i), does not lead to a reset of the OVRE flag (on channel i) as expected.

**Problem Fix/Workaround:**

None

**40.8.2.9**     *ADC: EOC Set although Channel Disabled*

If a channel is disabled while a conversion is running and if a read of CDR is performed at the same time as an end of conversion of any channel occurs, the EOC of the channel with the conversion running may rise (whereas it has been disabled).

**Problem Fix/Workaround**

Do not take into account the EOC of a disabled channel

**40.8.2.10**    *ADC: Spurious Clear of EOC Flag*

If “x” and “y” are two successively converted channels and “z” is yet another enabled channel (“z” being neither “x” nor “y”), reading CDR on channel “z” at the same instant as an end of conversion on channel “y” automatically clears EOC[x] instead of EOC[z].

**Problem Fix/Workaround**

None.

#### 40.8.2.11 ADC: Sleep Mode

If Sleep mode is activated while there is no activity (no conversion is being performed), it will take effect only after a conversion occurs.

##### **Problem Fix/Workaround**

To activate sleep mode as soon as possible, it is recommended to write successively, ADC Mode Register (SLEEP) then ADC Control Register (START bit field); to start an analog-to-digital conversion, in order put ADC into sleep mode at the end of this conversion.

### 40.8.3 Master Clock (MCK)

#### 40.8.3.1 MCK: Limited Master Clock Frequency Ranges

If the Flash is operating without wait states, the frequency of the Master Clock MCK must be lower than 3 MHz or higher than 19 MHz.

If the Flash is operating with one wait state, the frequency of the Master Clock MCK must be lower than 3 MHz or higher than 19 MHz.

If the Flash is operating with two wait states, the frequency of the Master Clock MCK must be lower than 3 MHz or higher than 25 MHz.

If the Flash is operating with three wait states, the frequency of the Master Clock MCK must be lower than 3 MHz or higher than 38 MHz.

If these constraints are not respected, the correct operation of the system cannot be guaranteed and either data or prefetch abort might occur.

The maximum operating frequencies (at 30 MHz @ 0 Wait States and 55 MHz @ 1 Wait State) as stated in [Table 37-24, "Embedded Flash Wait States," on page 578](#), are still applicable.

Note: It is not necessary to use 2 or 3 wait states because the Flash can operate at maximum frequency with only 1 wait state.

##### **Problem Fix/Workaround**

The user must ensure that the device is running at the authorized frequency by programming the PLL properly to not run within the forbidden frequency range.

### 40.8.4 Non Volatile Memory Bits (NVM Bits)

#### 40.8.4.1 NVM Bits: Write/Erase Cycles Number

The maximum number of write/erase cycles for Non Volatile Memory bits is 100. This includes Lock Bits (LOCKx), General Purpose NVM bits (GPNVMx) and the Security Bit.

This maximum number of write/erase cycles is not applicable to 128 KB Flash memory, it remains at 10K for the Flash memory.

##### **Problem Fix/Workaround**

None.

## 40.8.5 Parallel Input/Output Controller (PIO)

### 40.8.5.1 PIO: Leakage on PA17 - PA20

When PA17, PA18, PA19 or PA20 (the I/O lines multiplexed with the analog inputs) are set as digital inputs with pull-up disabled, the leakage can be 9  $\mu\text{A}$  in worst case and 90 nA in typical case per I/O when the I/O is set externally at low level.

#### Problem Fix/Workaround

Set the I/O to VDDIO by internal or external pull-up.

### 40.8.5.2 PIO: Electrical Characteristics on NRST and PA0-PA16 and PA21-31

When NRST or PA0-PA16 or PA21-PA31 are set as digital inputs with pull-up enabled, the voltage of the I/O stabilizes at VPull-up.

#### Vpull-up

| VPull-up Min   | VPull-up Max   |
|----------------|----------------|
| VDDIO - 0.65 V | VDDIO - 0.45 V |

This condition causes a leakage through VDDIO. This leakage is 45  $\mu\text{A}$  per pad in worst case at 3.3 V and 25  $\mu\text{A}$  at 1.8V.

#### I Leakage

| Parameter         | Typ               | Max              |
|-------------------|-------------------|------------------|
| I Leakage at 3,3V | 2.5 $\mu\text{A}$ | 45 $\mu\text{A}$ |
| I Leakage at 1.8V | 1 $\mu\text{A}$   | 25 $\mu\text{A}$ |

#### Problem Fix/Workaround

It is recommended to use an external pull-up if needed.

### 40.8.5.3 PIO: Drive Low NRST, PA0-PA16 and PA21-PA31

When NRST or PA0-PA16 and or PA21-PA31 are set as digital inputs with pull-up enabled, driving the I/O with an output impedance higher than 500 ohms may not drive the I/O to a logical zero.

#### Problem Fix/Workaround

Output impedance must be lower than 500 ohms.

## 40.8.6 Power Management Controller (PMC)

### 40.8.6.1 PMC: Slow Clock Selected in PMC and a Transition Occurs on PA1

Under certain rare circumstances, when CSS = 00 in PMC\_MCKR, and PA1 is set as an input and a transition occurs on PA1, device malfunction might occur.

#### Problem Fix/Workaround

Do not transition PA1 as an input when CSS = 00 in PMC\_MCKR.

### 40.8.6.2 PMC: Programming CSS in PMC\_MCKR Register

Under certain rare circumstances, reprogramming the CSS value in the PMC\_MCKR register (i.e switching the main clock source) might generate malfunction of the device if the following two actions occur simultaneously.

1. Switching from:
  - PLL Clock to Slow Clock or
  - PLL Clock to Main Clock or
  - Main Clock to PLL Clock or
  - Main Clock to Slow Clock

And

2. Program code is being executed out of flash, **or** a transition is occurring on PA1, either as an input or output.

Note: This issue does not occur when transitioning from slow clock to main clock or from slow clock to PLL clock.

### **Problem Fix/Workaround**

When changing CSS in the PMC\_MCKR to switch from

- PLL Clock to Slow Clock or
- PLL Clock to Main Clock or
- Main Clock to PLL Clock or
- Main Clock to Slow Clock

Ensure that the processor is executing out of SRAM **and** ensure no transition occurs on PA1, either as an input or output, starting from writing to the PMC\_MCKR register until MCKRDY = 1.

## **40.8.7 Pulse Width Modulation Controller (PWM)**

### *40.8.7.1 PWM: Update when PWM\_CCNTx = 0 or 1*

If the Channel Counter Register value is 0 or 1, the Channel Period Register or Channel Duty Cycle Register is directly modified when writing the Channel Update Register.

### **Problem Fix/Workaround**

Check the Channel Counter Register before writing the update register.

### *40.8.7.2 PWM: Update when PWM\_CPRDx = 0*

When Channel Period Register equals 0, the period update is not operational.

### **Problem Fix/Workaround**

Do not write 0 in the period register.

### *40.8.7.3 PWM: Counter Start Value*

In left aligned mode, the first start value of the counter is 0. For the other periods, the counter starts at 1.

### **Problem Fix/Workaround**

None.

### *40.8.7.4 PWM: Constraints on Duty Cycle Value*

Setting Channel Duty Cycle Register (PWM\_CDTYx) at 0 in center aligned mode or at 0 or 1 in left aligned mode may change the polarity of the signal.

### **Problem Fix/Workaround**

Do not set PWM\_CDTYx at 0 in center aligned mode.

Do not set PWM\_CDTYx at 0 or 1 in left aligned mode.

#### 40.8.7.5 *PWM: Behavior of CHIDx Status Bits in the PWM\_SR Register*

Erratic behavior of the CHIDx status bit in the PWM\_SR Register. When a channel is disabled by writing in the PWM\_DIS Register just after enabling it (before completion of a Clock Period of the clock selected for the channel), the PWM line is internally disabled but the CHIDx status bit in the PWM\_SR stays at 1.

**Problem Fix/Workaround**

Do not disable a channel before completion of one period of the selected clock.

### 40.8.8 **Real Time Timer (RTT)**

#### 40.8.8.1 *RTT: Possible Event Loss when Reading RTT\_SR*

If an event (RTTINC or ALMS) occurs within the same slow clock cycle during which the RTT\_SR is read, the corresponding bit might be cleared. This can lead to the loss of this event.

**Problem Fix/Workaround:**

The software must handle the RTT event as an interrupt and should not poll RTT\_SR.

#### 40.8.8.2 *RTT: RTT\_VR May be Corrupted*

Under certain rare circumstances, the Real-time Timer Value (RTT\_VR) may be corrupted.

**Problem Fix/Workaround**

Use RTTINC as an increment for a software counter.

### 40.8.9 **Serial Peripheral Interface (SPI)**

#### 40.8.9.1 *SPI: Bad tx\_ready behavior when CSAAT = 1 and SCBR = 1*

If the SPI is programmed with CSAAT = 1, SCBR(baudrate) = 1 and two transfers are performed consecutively on the same slave with an IDLE state between them, the tx\_ready signal does not rise after the second data has been transferred in the shifter. This can imply for example, that the second data is sent twice.

**Problem Fix/Workaround**

Do not use the combination CSAAT = 1 and SCBR = 1.

#### 40.8.9.2 *SPI: LASTXFER (Last Transfer) behavior*

In FIXED Mode, with CSAAT bit set, and in "PDC mode" the Chip Select can rise depending on the data written in the SPI\_TDR when the TX\_EMPTY flag is set. If for example, the PDC writes a "1" in the bit 24 (LASTXFER bit) of the SPI\_TDR, the chip select will rise as soon as the TXEMPTY flag is set.

**Problem Fix/Workaround**

Use the CS in PIO mode when PDC mode is required and CS has to be maintained between transfers.

#### 40.8.9.3 *SPI: SPCK Behavior in Master Mode*

SPCK pin can toggle out before the first transfer in Master Mode.

**Problem Fix/Workaround**

In Master Mode, MSTR bit must be set (in SPI\_MR register) before configuring SPI\_CSRx registers.

## 40.8.9.4 SPI: Chip Select and Fixed Mode

In fixed Mode, if a transfer is performed through a PDC on a Chip select different from the Chip select 0, the output `spi_size` sampled by the PDC will depend on the field, BITS (Bits per Transfer) of `SPI_CSR0` register, whatever the selected Chip select is. For example, if `SPI_CSR0` is configured for a 10-bit transfer whereas `SPI_CSR1` is configured for an 8-bit transfer, when a transfer is performed in Fixed mode through the PDC, on Chip select 1, the transfer will be considered as a HalfWord transfer.

### Problem Fix/Workaround

If a PDC transfer has to be performed in 8 bits, on a Chip select `y` (`y` as different from 0), the BITS field of the `SPI_CSR0` must be configured in 8 bits, in the same way as the BITS field of the `CSRy` Register.

## 40.8.9.5 SPI: Baudrate Set to 1

When Baudrate is set at 1 (i.e. when serial clock frequency equals the system clock frequency) and when the BITS field of the `SPI_CSR` register (number of bits to be transmitted) equals an ODD value (in this case 9,11,13 or 15), an additional pulse will be generated on output SPCK.

Everything is OK if the BITS field equals 8,10,12,14 or 16 and Baudrate = 1.

### Problem Fix/Workaround

None.

## 40.8.9.6 SPI: Disable In Slave Mode

The SPI disable is not possible in slave mode.

### Problem Fix/Workaround

Read first the received data, then perform the software reset.

## 40.8.9.7 SPI: Bad Serial Clock Generation on 2nd Chip Select

Bad Serial clock generation on the 2nd chip select when `SCBR = 1`, `CPOL = 1` and `NCPHA = 0`.

This occurs using SPI with the following conditions:

- Master Mode
- `CPOL = 1` and `NCPHA = 0`
- Multiple chip selects are used with one transfer with Baud rate (SCBR) equal to 1 (i.e., when serial clock frequency equals the system clock frequency) and the other transfers set with SCBR are not equal to 1
- Transmitting with the slowest chip select and then with the fastest one, then an additional pulse is generated on output SPCK during the second transfer.

### Problem Fix/Workaround

Do not use a multiple Chip Select configuration where at least one `SCRx` register is configured with `SCBR = 1` and the others differ from 1 if `NCPHA = 0` and `CPOL = 1`.

If all chip selects are configured with Baudrate = 1, the issue does not appear.

## 40.8.10 Synchronous Serial Controller (SSC)

### 40.8.10.1 SSC: Periodic Transmission Limitations in Master Mode

If the Least Significant Bit is sent first (MSBF = 0), the first TAG during the frame synchro is not sent.

#### Problem Fix/Workaround

None.

### 40.8.10.2 SSC: Transmitter Limitations in Slave Mode

If TK is programmed as output and TF is programmed as input, it is impossible to emit data when the start of edge (rising or falling) of synchro has a Start Delay equal to zero.

#### Problem Fix/Workaround

None.

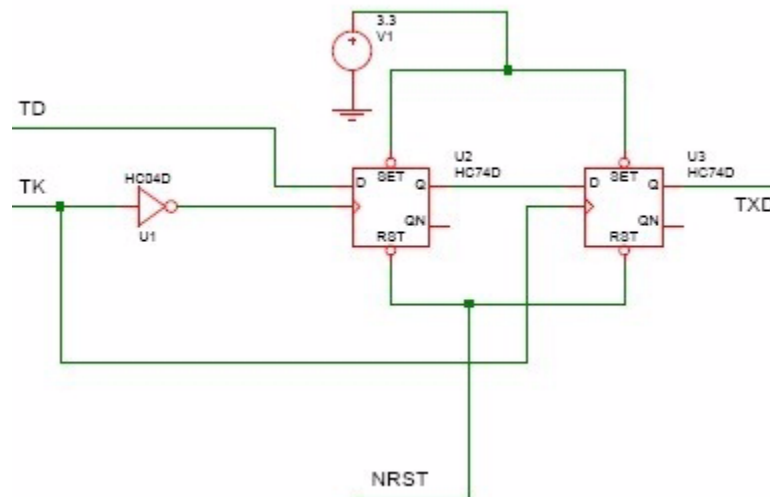
### 40.8.10.3 SSC: Transmitter Limitations in Slave Mode

If TK is programmed as an input and TF is programmed as an output and requested to be set to low/high during data emission, the Frame Synchro signal is generated one bit clock period after the data start and one data bit is lost. This problem does not exist when generating a periodic synchro.

#### Problem Fix/Workaround

The data need to be delayed for one bit clock period with an external assembly.

In the following schematic, TD, TK and NRST are AT91SAM7S signals, TXD is the delayed data to connect to the device.



## 40.8.11 Two-wire Interface (TWI)

### 40.8.11.1 TWI: Clock Divider

The value of  $CLDIV \times 2^{CKDIV}$  must be less than or equal to 8191, the value of  $CHDIV \times 2^{CKDIV}$  must be less than or equal to 8191.



## **Problem Fix/Workaround**

None.

### **40.8.11.2 TWI: Software Reset**

When a software reset is performed during a frame and when TWCK is low, it is impossible to initiate a new transfer in READ or WRITE mode.

## **Problem Fix/Workaround**

None.

### **40.8.11.3 TWI: Disabling Does not Operate Correctly**

Any transfer in progress is immediately frozen if the Control Register (TWI\_CR) is written with the bit MSDIS at 1. Furthermore, the status bits TXCOMP and TXRDY in the Status Register (TWI\_SR) are not reset.

## **Problem Fix/Workaround**

The user must wait for the end of transfer before disabling the TWI. In addition, the interrupts must be disabled before disabling the TWI.

### **40.8.11.4 TWI: NACK Status Bit Lost**

During a master frame, if TWI\_SR is read between the Non Acknowledge condition detection and the TXCOMP bit rising in the TWI\_SR, the NACK bit is not set.

## **Problem Fix/Workaround**

The user must wait for the TXCOMP status bit by interrupt and must not read the TWI\_SR as long as transmission is not completed.

TXCOMP and NACK fields are set simultaneously and the NACK field is reset after the read of the TWI\_SR.

### **40.8.11.5 TWI: Possible Receive Holding Register Corruption**

When loading the TWI\_RHR, the transfer direction is ignored. The last data byte received in the TWI\_RHR is corrupted at the end of the first subsequent transmit data byte. Neither RXRDY nor OVERRUN status bits are set if this occurs.

## **Problem Fix/Workaround**

The user must be sure that received data is read before transmitting any new data.

## **40.8.12 USART: Universal Synchronous Asynchronous Receiver Transmitter**

### **40.8.12.1 USART: CTS in Hardware Handshaking**

When Hardware Handshaking is used and if CTS goes low near the end of the starting bit, a character can be lost.

## **Problem Fix/Workaround**

CTS must not go low during a time slot occurring between 2 Master Clock periods before the starting bit and 16 Master Clock periods after the rising edge of the starting bit.

### **40.8.12.2 USART: Hardware Handshaking – Two Characters Sent**

If CTS switches from 0 to 1 during the TX of a character and if the holding register (US\_THR) is not empty, the content of US\_THR will also be transmitted.

## **Problem Fix/Workaround**

Don't use the PDC in transmit mode and do not fill US\_THR before TXEMPTY is set at 1.

#### 40.8.12.3 *USART: XOFF Character Bad Behavior*

The XOFF character is sent only when the receive buffer is detected full. While the XOFF is being sent, the remote transmitter is still transmitting. As only one Holding register is available in the receiver, characters will be lost in reception. This makes the software handshaking functionality ineffective.

##### **Problem Fix/Workaround**

None.

#### 40.8.12.4 *USART: RXBRK Flag Error in Asynchronous Mode*

In receiver mode, when there are two consecutive characters (without timeguard in between), RXBRK is not taken into account. As a result, the RXBRK flag is not enabled correctly and the frame error flag is set.

##### **Problem Fix/Workaround**

Constraints on the transmitter device connected to the AT91SAM7S USART receiver side:

The transmitter may use the timeguard feature or send two STOP conditions. Only one STOP condition is taken into account by the receiver state machine. After this STOP condition, as there is no valid data, the receiver state machine will go in idle mode and enable the RXBRK flag.

#### 40.8.12.5 *USART: DCD is active High instead of Low*

The DCD signal is active at High level in the USART Modem Mode.

DCD should be active at Low level.

##### **Problem Fix/Workaround**

Add an inverter.

### 40.8.13 **Voltage Regulator**

#### 40.8.13.1 *Voltage Regulator: Current Consumption in Deep Mode*

Current consumption in Deep Mode is maximum 60  $\mu$ A instead of 25  $\mu$ A.

Due to current rejection from VDDIN to VDDCORE, the current consumption in Deep Mode cannot be guaranteed. Instead, 60  $\mu$ A is guaranteed whatever the condition.

##### **Problem Fix/Workaround**

None.

#### 40.8.13.2 *Voltage Regulator: Load Versus Temperature*

Maximum load is 50 mA at 85 °C (instead of 100 mA).

Maximum load is 100 mA at 70°C.

##### **Problem Fix/Workaround**

None.

## 40.8.14 Watchdog Timer (WDT)

### 40.8.14.1 WDT: The Watchdog Timer May Lock the Device in a Reset State

Under certain rare circumstances, if the Watchdog Timer is used with the Watchdog Reset enabled (WDRSTEN set at 1), the Watchdog Timer may lock the device in a reset state when the user restarts the watchdog (WDDRSTT). The only way to recover from this state is a power-on reset. The issue depends on the values of WDD and WDV in the WDT\_MR register.

#### **Problem Fix/Workaround**

Two workarounds are possible.

1. Either do not use the Watchdog Timer with the Watchdog Reset enabled (WDRSTEN set at 1),
2. or set WDD to 0xFFFF and in addition use only one of the following values for WDV: 0xFFFF, 0xDFFF, 0xBFFF, 0x9FFF, 0x7FFF, 0x77F, 0x6FF, 0x67F, 0x5FF, 0x57F, 0x4FF, 0x47F, 0x3FF, 0x37F, 0x2FF, 0x27F, 0x1FF, 0x1BF, 0x17F, 0x13F, 0x0FF, 0x0DF, 0x0BF, 0x09F, 0x07F, 0x06F, 0x05F, 0x04F, 0x03F, 0x037, 0x02f, 0x027, 0x01F, 0x01B, 0x017, 0x013 and 0x00F.

### 40.8.14.2 WDT: The Watchdog Timer Status Register and Interrupt

Under certain rare circumstances, if the Watchdog Timer is used with the Watchdog Fault Interrupt enabled (WDFIEN set at 1), the Watchdog Timer may trigger the interrupt (wdt\_fault) erroneously. The Watchdog Timer Status Register may be wrong also (WDERR and WDUNF). The issue depends on the values of WDD and WDV in the WDT\_MR register.

#### **Problem Fix/Workaround**

Two workarounds are possible.

1. Either do not use the Watchdog Timer with the Watchdog fault Interrupt enabled (WDFIEN set at 1),
2. or set WDD to 0xFFFF and in addition use only one of the following values for WDV: 0xFFFF, 0xDFFF, 0xBFFF, 0x9FFF, 0x7FFF, 0x77F, 0x6FF, 0x67F, 0x5FF, 0x57F, 0x4FF, 0x47F, 0x3FF, 0x37F, 0x2FF, 0x27F, 0x1FF, 0x1BF, 0x17F, 0x13F, 0x0FF, 0x0DF, 0x0BF, 0x09F, 0x07F, 0x06F, 0x05F, 0x04F, 0x03F, 0x037, 0x02f, 0x027, 0x01F, 0x01B, 0x017, 0x013 and 0x00F.

## 40.9 AT91SAM7S128 Errata - Revision A Parts

Refer to [Section 40.1 “Marking” on page 591](#).

Important: [Section 40.9.13.1 “WDT: The Watchdog Timer May Lock the Device in a Reset State”](#)

### 40.9.1 Chip ID

#### 40.9.1.1 *Wrong Chip ID Value*

The Chip ID is 0x270C 0740 instead of 0x270A 0740.

##### **Problem Fix/Workaround**

None.

### 40.9.2 Analog-to-Digital Converter (ADC)

#### 40.9.2.1 *ADC: DRDY Bit Cleared*

The DRDY Flag should be clear only after a read of ADC\_LCDR (Last Converted Data Register). A read of any ADC\_CDRx register (Channel Data Register) automatically clears the DRDY flag.

##### **Problem Fix/Workaround:**

None

#### 40.9.2.2 *ADC: DRDY not Cleared on Disable*

When reading LCDR at the same instant as an end of conversion, with DRDY already active, DRDY is kept active regardless of the enable status of the current channel. This sets DRDY, whereas new data is not stored.

##### **Problem Fix/Workaround**

None

#### 40.9.2.3 *ADC: DRDY Possibly Skipped due to CDR Read*

Reading CDR for channel “y” at the same instant as an end of conversion on channel “x” with EOC[x] already active, leads to skipping to set the DRDY flag if channel “x” is enabled.

##### **Problem Fix/Workaround**

Use of DRDY functionality with access to CDR registers should be avoided.

#### 40.9.2.4 *ADC: Possible Skip on DRDY when Disabling a Channel*

DRDY does not rise when disabling channel “y” at the same time as an end of “x” channel conversion, although data is stored into CDRx and LCDR.

##### **Problem Fix/Workaround**

None.

#### 40.9.2.5 *ADC: GOVRE Bit is not Updated*

Read of the Status Register at the same instant as an end of conversion leads to skipping the update of the GOVRE (general overrun) flag. GOVRE is neither reset nor set.

For example, if reading the status while an end of conversion is occurring and:

1. GOVRE is active but DRDY is inactive, does not correspond to a new general overrun condition but the GOVRE flag is not reset.
2. GOVRE is inactive but DRDY is active, does correspond to a new general overrun condition but the GOVRE flag is not set.

#### **Problem Fix/Workaround**

None

#### **40.9.2.6**     *ADC: GOVRE Bit is not Set when Reading CDR*

When reading CDR<sub>y</sub> (Channel Data Register *y*) at the same instant as an end of conversion on channel “*x*” with the following conditions:

- EOC[*x*] already active,
- DRDY already active,
- GOVRE inactive,
- previous data stored in LCDR being neither data from channel “*y*”, nor data from channel “*x*”.

GOVRE should be set but is not.

#### **Problem Fix/Workaround**

None

#### **40.9.2.7**     *ADC: GOVRE Bit is not Set when Disabling a Channel*

When disabling channel “*y*” at the same instant as an end of conversion on channel “*x*”, EOC[*x*] and DRDY being already active, GOVRE does not rise.

Note:    OVRE[*x*] rises as expected.

#### **Problem Fix/Workaround**

None

#### **40.9.2.8**     *ADC: OVRE Flag Behavior*

When the OVRE flag (on channel *i*) has been set but the related EOC status (of channel *i*) has been cleared (by a read of CDR<sub>*i*</sub> or LCDR), reading the Status register at the same instant as an end of conversion (causing the set of EOC status on channel *i*), does not lead to a reset of the OVRE flag (on channel *i*) as expected.

#### **Problem Fix/Workaround:**

None

#### **40.9.2.9**     *ADC: EOC Set although Channel Disabled*

If a channel is disabled while a conversion is running and if a read of CDR is performed at the same time as an end of conversion of any channel occurs, the EOC of the channel with the conversion running may rise (whereas it has been disabled).

#### **Problem Fix/Workaround**

Do not take into account the EOC of a disabled channel

#### **40.9.2.10**    *ADC: Spurious Clear of EOC Flag*

If “*x*” and “*y*” are two successively converted channels and “*z*” is yet another enabled channel (“*z*” being neither “*x*” nor “*y*”), reading CDR on channel “*z*” at the same instant as an end of conversion on channel “*y*” automatically clears EOC[*x*] instead of EOC[*z*].

#### **Problem Fix/Workaround**

None.

#### 40.9.2.11 ADC: Sleep Mode

If Sleep mode is activated while there is no activity (no conversion is being performed), it will take effect only after a conversion occurs.

##### Problem Fix/Workaround

To activate sleep mode as soon as possible, it is recommended to write successively, ADC Mode Register (SLEEP) then ADC Control Register (START bit field); to start an analog-to-digital conversion, in order put ADC into sleep mode at the end of this conversion.

### 40.9.3 Non Volatile Memory Bits (NVM Bits)

#### 40.9.3.1 NVM Bits: Write/Erase Cycles Number

The maximum number of write/erase cycles for Non Volatile Memory bits is 100. This includes Lock Bits (LOCKx), General Purpose NVM bits (GPNVMx) and the Security Bit.

This maximum number of write/erase cycles is not applicable to 128 KB Flash memory, it remains at 10K for the Flash memory.

##### Problem Fix/Workaround

None.

### 40.9.4 Parallel Input/Output Controller (PIO)

#### 40.9.4.1 PIO: Leakage on PA17 - PA20

When PA17, PA18, PA19 or PA20 (the I/O lines multiplexed with the analog inputs) are set as digital inputs with pull-up disabled, the leakage can be 5  $\mu$ A in worst case and 90 nA in typical case per I/O when the I/O is set externally at low level.

##### Problem Fix/Workaround

Set the I/O to VDDIO by internal or external pull-up.

#### 40.9.4.2 PIO: Electrical Characteristics on NRST and PA0-PA16 and PA21-31

When NRST or PA0-PA16 or PA21-PA31 are set as digital inputs with pull-up enabled, the voltage of the I/O stabilizes at VPull-up.

##### Vpull-up

| VPull-up Min   | VPull-up Max   |
|----------------|----------------|
| VDDIO - 0.65 V | VDDIO - 0.45 V |

This condition causes a leakage through VDDIO. This leakage is 45  $\mu$ A per pad in worst case at 3.3 V and 25  $\mu$ A at 1.8V.

##### I Leakage

| Parameter         | Typ         | Max        |
|-------------------|-------------|------------|
| I Leakage at 3,3V | 2.5 $\mu$ A | 45 $\mu$ A |
| I Leakage at 1.8V | 1 $\mu$ A   | 25 $\mu$ A |

##### Problem Fix/Workaround

It is recommended to use an external pull-up if needed.

## 40.9.4.3 PIO: Drive Low NRST, PA0-PA16 and PA21-PA31

When NRST or PA0-PA16 and or PA21-PA31 are set as digital inputs with pull-up enabled, driving the I/O with an output impedance higher than 500 ohms may not drive the I/O to a logical zero.

### Problem Fix/Workaround

Output impedance must be lower than 500 ohms.

## 40.9.5 Power Management Controller (PMC)

### 40.9.5.1 PMC: Slow Clock Selected in PMC and a Transition Occurs on PA1

Under certain rare circumstances, when CSS = 00 in PMC\_MCKR, and PA1 is set as an input and a transition occurs on PA1, device malfunction might occur.

### Problem Fix/Workaround

Do not transition PA1 as an input when CSS = 00 in PMC\_MCKR.

### 40.9.5.2 PMC: Programming CSS in PMC\_MCKR Register

Under certain rare circumstances, reprogramming the CSS value in the PMC\_MCKR register (i.e switching the main clock source) might generate malfunction of the device if the following two actions occur simultaneously.

1. Switching from:
  - PLL Clock to Slow Clock or
  - PLL Clock to Main Clock or
  - Main Clock to PLL Clock or
  - Main Clock to Slow Clock

And

2. Program code is being executed out of flash, **or** a transition is occurring on PA1, either as an input or output.

Note: This issue does not occur when transitioning from slow clock to main clock or from slow clock to PLL clock.

### Problem Fix/Workaround

When changing CSS in the PMC\_MCKR to switch from

- PLL Clock to Slow Clock or
- PLL Clock to Main Clock or
- Main Clock to PLL Clock or
- Main Clock to Slow Clock

Ensure that the processor is executing out of SRAM **and** ensure no transition occurs on PA1, either as an input or output, starting from writing to the PMC\_MCKR register until MCKRDY = 1.

## 40.9.6 Pulse Width Modulation Controller (PWM)

### 40.9.6.1 PWM: Update when PWM\_CCNTx = 0 or 1

If the Channel Counter Register value is 0 or 1, the Channel Period Register or Channel Duty Cycle Register is directly modified when writing the Channel Update Register.

### Problem Fix/Workaround

Check the Channel Counter Register before writing the update register.

#### 40.9.6.2 *PWM: Update when PWM\_CPRDx = 0*

When Channel Period Register equals 0, the period update is not operational.

##### **Problem Fix/Workaround**

Do not write 0 in the period register.

#### 40.9.6.3 *PWM: Counter Start Value*

In left aligned mode, the first start value of the counter is 0. For the other periods, the counter starts at 1.

##### **Problem Fix/Workaround**

None.

#### 40.9.6.4 *PWM: Constraints on Duty Cycle Value*

Setting Channel Duty Cycle Register (PWM\_CDTYx) at 0 in center aligned mode or at 0 or 1 in left aligned mode may change the polarity of the signal.

##### **Problem Fix/Workaround**

Do not set PWM\_CDTYx at 0 in center aligned mode.

Do not set PWM\_CDTYx at 0 or 1 in left aligned mode.

#### 40.9.6.5 *PWM: Behavior of CHIDx Status Bits in the PWM\_SR Register*

Erratic behavior of the CHIDx status bit in the PWM\_SR Register. When a channel is disabled by writing in the PWM\_DIS Register just after enabling it (before completion of a Clock Period of the clock selected for the channel), the PWM line is internally disabled but the CHIDx status bit in the PWM\_SR stays at 1.

Problem Fix/Workaround

Do not disable a channel before completion of one period of the selected clock.

### 40.9.7 **Real Time Timer (RTT)**

#### 40.9.7.1 *RTT: Possible Event Loss when Reading RTT\_SR*

If an event (RTTINC or ALMS) occurs within the same slow clock cycle during which the RTT\_SR is read, the corresponding bit might be cleared. This can lead to the loss of this event.

##### **Problem Fix/Workaround:**

The software must handle the RTT event as an interrupt and should not poll RTT\_SR.

#### 40.9.7.2 *RTT: RTT\_VR May be Corrupted*

Under certain rare circumstances, the Real-time Timer Value (RTT\_VR) may be corrupted.

##### **Problem Fix/Workaround**

Use RTTINC as an increment for a software counter.

### 40.9.8 **Serial Peripheral Interface (SPI)**

#### 40.9.8.1 *SPI: Bad tx\_ready behavior when CSAAT = 1 and SCBR = 1*

If the SPI is programmed with CSAAT = 1, SCBR(baudrate) = 1 and two transfers are performed consecutively on the same slave with an IDLE state between them, the tx\_ready signal does not rise after the second data has been transferred in the shifter. This can imply for example, that the second data is sent twice.



## Problem Fix/Workaround

Do not use the combination CSAAT = 1 and SCBR = 1.

### 40.9.8.2 SPI: LASTXFER (Last Transfer) behavior

In FIXED Mode, with CSAAT bit set, and in “PDC mode” the Chip Select can rise depending on the data written in the SPI\_TDR when the TX\_EMPTY flag is set. If for example, the PDC writes a “1” in the bit 24 (LASTXFER bit) of the SPI\_TDR, the chip select will rise as soon as the TXEMPTY flag is set.

## Problem Fix/Workaround

Use the CS in PIO mode when PDC mode is required and CS has to be maintained between transfers.

### 40.9.8.3 SPI: SPCK Behavior in Master Mode

SPCK pin can toggle out before the first transfer in Master Mode.

## Problem Fix/Workaround

In Master Mode, MSTR bit must be set (in SPI\_MR register) before configuring SPI\_CSRx registers.

### 40.9.8.4 SPI: Chip Select and Fixed Mode

In fixed Mode, if a transfer is performed through a PDC on a Chip select different from the Chip select 0, the output spi\_size sampled by the PDC will depend on the field, BITS (Bits per Transfer) of SPI\_CSR0 register, whatever the selected Chip select is. For example, if SPI\_CSR0 is configured for a 10-bit transfer whereas SPI\_CSR1 is configured for an 8-bit transfer, when a transfer is performed in Fixed mode through the PDC, on Chip select 1, the transfer will be considered as a HalfWord transfer.

## Problem Fix/Workaround

If a PDC transfer has to be performed in 8 bits, on a Chip select y (y as different from 0), the BITS field of the SPI\_CSR0 must be configured in 8 bits, in the same way as the BITS field of the CSRy Register.

### 40.9.8.5 SPI: Baudrate Set to 1

When Baudrate is set at 1 (i.e. when serial clock frequency equals the system clock frequency) and when the BITS field of the SPI\_CSR register (number of bits to be transmitted) equals an ODD value (in this case 9,11,13 or 15), an additional pulse will be generated on output SPCK.

Everything is OK if the BITS field equals 8,10,12,14 or 16 and Baudrate = 1.

## Problem Fix/Workaround

None.

### 40.9.8.6 SPI: Disable In Slave Mode

The SPI disable is not possible in slave mode.

## Problem Fix/Workaround

Read first the received data, then perform the software reset.

### 40.9.8.7 SPI: Bad Serial Clock Generation on 2nd Chip Select

Bad Serial clock generation on the 2nd chip select when SCBR = 1, CPOL = 1 and NCPHA = 0.

This occurs using SPI with the following conditions:

- Master Mode
- CPOL = 1 and NCPHA = 0
- Multiple chip selects are used with one transfer with Baud rate (SCBR) equal to 1 (i.e., when serial clock frequency equals the system clock frequency) and the other transfers set with SCBR are not equal to 1
- Transmitting with the slowest chip select and then with the fastest one, then an additional pulse is generated on output SPCK during the second transfer.

**Problem Fix/Workaround**

Do not use a multiple Chip Select configuration where at least one SCRx register is configured with SCBR = 1 and the others differ from 1 if NCPHA = 0 and CPOL = 1.

If all chip selects are configured with Baudrate = 1, the issue does not appear.

## 40.9.9 Synchronous Serial Controller (SSC)

### 40.9.9.1 *SSC: Periodic Transmission Limitations in Master Mode*

If the Least Significant Bit is sent first (MSBF = 0), the first TAG during the frame synchro is not sent.

**Problem Fix/Workaround**

None.

### 40.9.9.2 *SSC: Transmitter Limitations in Slave Mode*

If TK is programmed as output and TF is programmed as input, it is impossible to emit data when the start of edge (rising or falling) of synchro has a Start Delay equal to zero.

**Problem Fix/Workaround**

None.

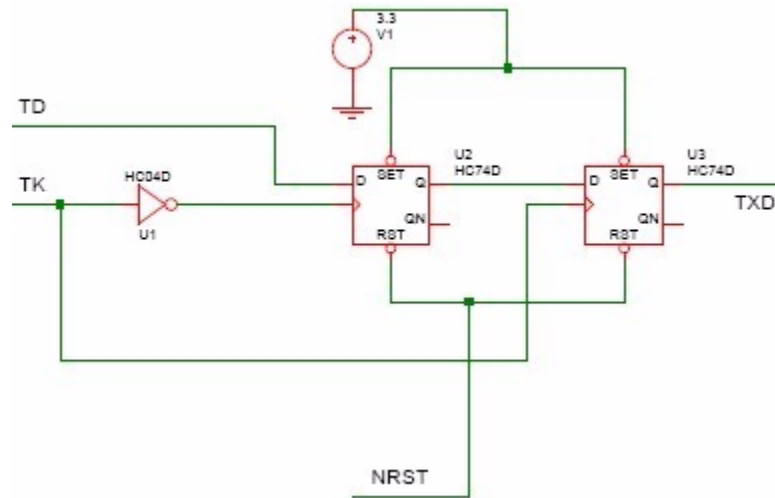
### 40.9.9.3 *SSC: Transmitter Limitations in Slave Mode*

If TK is programmed as an input and TF is programmed as an output and requested to be set to low/high during data emission, the Frame Synchro signal is generated one bit clock period after the data start and one data bit is lost. This problem does not exist when generating a periodic synchro.

**Problem Fix/Workaround**

The data need to be delayed for one bit clock period with an external assembly.

In the following schematic, TD, TK and NRST are AT91SAM7S signals, TXD is the delayed data to connect to the device.



## 40.9.10 Two-wire Interface (TWI)

### 40.9.10.1 TWI: Clock Divider

The value of  $CLDIV \times 2^{CKDIV}$  must be less than or equal to 8191, the value of  $CHDIV \times 2^{CKDIV}$  must be less than or equal to 8191.

#### Problem Fix/Workaround

None.

### 40.9.10.2 TWI: Software Reset

When a software reset is performed during a frame and when TWCK is low, it is impossible to initiate a new transfer in READ or WRITE mode.

#### Problem Fix/Workaround

None.

### 40.9.10.3 TWI: Disabling Does not Operate Correctly

Any transfer in progress is immediately frozen if the Control Register (TWI\_CR) is written with the bit MSDIS at 1. Furthermore, the status bits TXCOMP and TXRDY in the Status Register (TWI\_SR) are not reset.

#### Problem Fix/Workaround

The user must wait for the end of transfer before disabling the TWI. In addition, the interrupts must be disabled before disabling the TWI.

### 40.9.10.4 TWI: NACK Status Bit Lost

During a master frame, if TWI\_SR is read between the Non Acknowledge condition detection and the TXCOMP bit rising in the TWI\_SR, the NACK bit is not set.

#### Problem Fix/Workaround

The user must wait for the TXCOMP status bit by interrupt and must not read the TWI\_SR as long as transmission is not completed.

TXCOMP and NACK fields are set simultaneously and the NACK field is reset after the read of the TWI\_SR.

#### 40.9.10.5 *TWI: Possible Receive Holding Register Corruption*

When loading the TWI\_RHR, the transfer direction is ignored. The last data byte received in the TWI\_RHR is corrupted at the end of the first subsequent transmit data byte. Neither RXRDY nor OVERRUN status bits are set if this occurs.

##### **Problem Fix/Workaround**

The user must be sure that received data is read before transmitting any new data.

### 40.9.11 **USART: Universal Synchronous Asynchronous Receiver Transmitter**

#### 40.9.11.1 *USART: CTS in Hardware Handshaking*

When Hardware Handshaking is used and if CTS goes low near the end of the starting bit, a character can be lost.

##### **Problem Fix/Workaround**

CTS must not go low during a time slot occurring between 2 Master Clock periods before the starting bit and 16 Master Clock periods after the rising edge of the starting bit.

#### 40.9.11.2 *USART: Hardware Handshaking – Two Characters Sent*

If CTS switches from 0 to 1 during the TX of a character and if the holding register (US\_THR) is not empty, the content of US\_THR will also be transmitted.

##### **Problem Fix/Workaround**

Don't use the PDC in transmit mode and do not fill US\_THR before TXEMPTY is set at 1.

#### 40.9.11.3 *USART: XOFF Character Bad Behavior*

The XOFF character is sent only when the receive buffer is detected full. While the XOFF is being sent, the remote transmitter is still transmitting. As only one Holding register is available in the receiver, characters will be lost in reception. This makes the software handshaking functionality ineffective.

##### **Problem Fix/Workaround**

None.

#### 40.9.11.4 *USART: RXBRK Flag Error in Asynchronous Mode*

In receiver mode, when there are two consecutive characters (without timeguard in between), RXBRK is not taken into account. As a result, the RXBRK flag is not enabled correctly and the frame error flag is set.

##### **Problem Fix/Workaround**

Constraints on the transmitter device connected to the AT91SAM7S USART receiver side:

The transmitter may use the timeguard feature or send two STOP conditions. Only one STOP condition is taken into account by the receiver state machine. After this STOP condition, as there is no valid data, the receiver state machine will go in idle mode and enable the RXBRK flag.

#### 40.9.11.5 *USART: DCD is active High instead of Low*

The DCD signal is active at High level in the USART Modem Mode.

DCD should be active at Low level.

## Problem Fix/Workaround

Add an inverter.

### 40.9.12 Voltage Regulator

#### 40.9.12.1 Voltage Regulator: Current Consumption in Deep Mode

Current consumption in Deep Mode is maximum 60  $\mu$ A instead of 25  $\mu$ A.

Due to current rejection from VDDIN to VDDCORE, the current consumption in Deep Mode cannot be guaranteed. Instead, 60  $\mu$ A is guaranteed whatever the condition.

## Problem Fix/Workaround

None.

#### 40.9.12.2 Voltage Regulator: Load Versus Temperature

Maximum load is 50 mA at 85 °C (instead of 100 mA).

Maximum load is 100 mA at 70°C.

## Problem Fix/Workaround

None.

### 40.9.13 Watchdog Timer (WDT)

#### 40.9.13.1 WDT: The Watchdog Timer May Lock the Device in a Reset State

Under certain rare circumstances, if the Watchdog Timer is used with the Watchdog Reset enabled (WDRSTEN set at 1), the Watchdog Timer may lock the device in a reset state when the user restarts the watchdog (WDDRSTT). The only way to recover from this state is a power-on reset. The issue depends on the values of WDD and WDV in the WDT\_MR register.

## Problem Fix/Workaround

Two workarounds are possible.

1. Either do not use the Watchdog Timer with the Watchdog Reset enabled (WDRSTEN set at 1),
2. or set WDD to 0xFFF and in addition use only one of the following values for WDV:  
0xFFF, 0xDFF, 0xBFF, 0x9FF, 0x7FF, 0x77F, 0x6FF, 0x67F, 0x5FF, 0x57F, 0x4FF,  
0x47F, 0x3FF, 0x37F, 0x2FF, 0x27F, 0x1FF, 0x1BF, 0x17F, 0x13F, 0x0FF, 0x0DF, 0x0BF,  
0x09F, 0x07F, 0x06F, 0x05F, 0x04F, 0x03F, 0x037, 0x02f, 0x027, 0x01F, 0x01B, 0x017,  
0x013 and 0x00F.

#### 40.9.13.2 WDT: The Watchdog Timer Status Register and Interrupt

Under certain rare circumstances, if the Watchdog Timer is used with the Watchdog Fault Interrupt enabled (WDFIEN set at 1), the Watchdog Timer may trigger the interrupt (wdt\_fault) erroneously. The Watchdog Timer Status Register may be wrong also (WDERR and WDUNF). The issue depends on the values of WDD and WDV in the WDT\_MR register.

## Problem Fix/Workaround

Two workarounds are possible.

1. Either do not use the Watchdog Timer with the Watchdog fault Interrupt enabled (WDFIEN set at 1),
2. or set WDD to 0xFFF and in addition use only one of the following values for WDV:  
0xFFF, 0xDFF, 0xBFF, 0x9FF, 0x7FF, 0x77F, 0x6FF, 0x67F, 0x5FF, 0x57F, 0x4FF,



0x47F, 0x3FF, 0x37F, 0x2FF, 0x27F, 0x1FF, 0x1BF, 0x17F, 0x13F, 0x0FF, 0x0DF, 0x0BF, 0x09F, 0x07F, 0x06F, 0x05F, 0x04F, 0x03F, 0x037, 0x02f, 0x027, 0x01F, 0x01B, 0x017, 0x013 and 0x00F.

## 40.10 AT91SAM7S128 Errata - Revision B Parts

Refer to [Section 40.1 “Marking” on page 591](#).

Note: AT91SAM7S128 Revision B chip ID is: 0x270A 0741.

### 40.10.1 Analog-to-Digital Converter (ADC)

#### 40.10.1.1 ADC: DRDY Bit Cleared

The DRDY Flag should be clear only after a read of ADC\_LCDR (Last Converted Data Register). A read of any ADC\_CDRx register (Channel Data Register) automatically clears the DRDY flag.

##### **Problem Fix/Workaround:**

None

#### 40.10.1.2 ADC: DRDY not Cleared on Disable

When reading LCDR at the same instant as an end of conversion, with DRDY already active, DRDY is kept active regardless of the enable status of the current channel. This sets DRDY, whereas new data is not stored.

##### **Problem Fix/Workaround**

None

#### 40.10.1.3 ADC: DRDY Possibly Skipped due to CDR Read

Reading CDR for channel “y” at the same instant as an end of conversion on channel “x” with EOC[x] already active, leads to skipping to set the DRDY flag if channel “x” is enabled.

##### **Problem Fix/Workaround**

Use of DRDY functionality with access to CDR registers should be avoided.

#### 40.10.1.4 ADC: Possible Skip on DRDY when Disabling a Channel

DRDY does not rise when disabling channel “y” at the same time as an end of “x” channel conversion, although data is stored into CDRx and LCDR.

##### **Problem Fix/Workaround**

None.

#### 40.10.1.5 ADC: GOVRE Bit is not Updated

Read of the Status Register at the same instant as an end of conversion leads to skipping the update of the GOVRE (general overrun) flag. GOVRE is neither reset nor set.

For example, if reading the status while an end of conversion is occurring and:

1. GOVRE is active but DRDY is inactive, does not correspond to a new general overrun condition but the GOVRE flag is not reset.
2. GOVRE is inactive but DRDY is active, does correspond to a new general overrun condition but the GOVRE flag is not set.

##### **Problem Fix/Workaround**

None

## 40.10.1.6 ADC: GOVRE Bit is not Set when Reading CDR

When reading CDR<sub>y</sub> (Channel Data Register y) at the same instant as an end of conversion on channel “x” with the following conditions:

- EOC[x] already active,
- DRDY already active,
- GOVRE inactive,
- previous data stored in LCDR being neither data from channel “y”, nor data from channel “x”.

GOVRE should be set but is not.

### **Problem Fix/Workaround**

None

## 40.10.1.7 ADC: GOVRE Bit is not Set when Disabling a Channel

When disabling channel “y” at the same instant as an end of conversion on channel “x”, EOC[x] and DRDY being already active, GOVRE does not rise.

Note: OVRE[x] rises as expected.

### **Problem Fix/Workaround**

None

## 40.10.1.8 ADC: OVRE Flag Behavior

When the OVRE flag (on channel i) has been set but the related EOC status (of channel i) has been cleared (by a read of CDR<sub>i</sub> or LCDR), reading the Status register at the same instant as an end of conversion (causing the set of EOC status on channel i), does not lead to a reset of the OVRE flag (on channel i) as expected.

### **Problem Fix/Workaround:**

None

## 40.10.1.9 ADC: EOC Set although Channel Disabled

If a channel is disabled while a conversion is running and if a read of CDR is performed at the same time as an end of conversion of any channel occurs, the EOC of the channel with the conversion running may rise (whereas it has been disabled).

### **Problem Fix/Workaround**

Do not take into account the EOC of a disabled channel

## 40.10.1.10 ADC: Spurious Clear of EOC Flag

If “x” and “y” are two successively converted channels and “z” is yet another enabled channel (“z” being neither “x” nor “y”), reading CDR on channel “z” at the same instant as an end of conversion on channel “y” automatically clears EOC[x] instead of EOC[z].

### **Problem Fix/Workaround**

None.

## 40.10.1.11 ADC: Sleep Mode

If Sleep mode is activated while there is no activity (no conversion is being performed), it will take effect only after a conversion occurs.

### **Problem Fix/Workaround**

To activate sleep mode as soon as possible, it is recommended to write successively, ADC Mode Register (SLEEP) then ADC Control Register (START bit field); to start an analog-to-digital conversion, in order put ADC into sleep mode at the end of this conversion.

## 40.10.2 Non Volatile Memory Bits (NVM Bits)

### 40.10.2.1 NVM Bits: Write/Erase Cycles Number

The maximum number of write/erase cycles for Non Volatile Memory bits is 100. This includes Lock Bits (LOCKx), General Purpose NVM bits (GPNVMx) and the Security Bit.

This maximum number of write/erase cycles is not applicable to 128 KB Flash memory, it remains at 10K for the Flash memory.

#### Problem Fix/Workaround

None.

## 40.10.3 Parallel Input/Output Controller (PIO)

### 40.10.3.1 PIO: Electrical Characteristics on NRST and PA0-PA16 and PA21-31

When NRST or PA0-PA16 or PA21-PA31 are set as digital inputs with pull-up enabled, the voltage of the I/O stabilizes at VPull-up.

#### VPull-up

| VPull-up Min   | VPull-up Max   |
|----------------|----------------|
| VDDIO - 0.65 V | VDDIO - 0.45 V |

This condition causes a leakage through VDDIO. This leakage is 45  $\mu$ A per pad in worst case at 3.3 V and 25  $\mu$ A at 1.8V.

#### I Leakage

| Parameter         | Typ         | Max        |
|-------------------|-------------|------------|
| I Leakage at 3,3V | 2.5 $\mu$ A | 45 $\mu$ A |
| I Leakage at 1.8V | 1 $\mu$ A   | 25 $\mu$ A |

#### Problem Fix/Workaround

It is recommended to use an external pull-up if needed.

### 40.10.3.2 PIO: Drive Low NRST, PA0-PA16 and PA21-PA31

When NRST or PA0-PA16 and or PA21-PA31 are set as digital inputs with pull-up enabled, driving the I/O with an output impedance higher than 500 ohms may not drive the I/O to a logical zero.

#### Problem Fix/Workaround

Output impedance must be lower than 500 ohms.

## 40.10.4 Pulse Width Modulation Controller (PWM)

### 40.10.4.1 PWM: Update when PWM\_CCNTx = 0 or 1

If the Channel Counter Register value is 0 or 1, the Channel Period Register or Channel Duty Cycle Register is directly modified when writing the Channel Update Register.



## **Problem Fix/Workaround**

Check the Channel Counter Register before writing the update register.

### **40.10.4.2** *PWM: Update when PWM\_CPRDx = 0*

When Channel Period Register equals 0, the period update is not operational.

## **Problem Fix/Workaround**

Do not write 0 in the period register.

### **40.10.4.3** *PWM: Counter Start Value*

In left aligned mode, the first start value of the counter is 0. For the other periods, the counter starts at 1.

## **Problem Fix/Workaround**

None.

### **40.10.4.4** *PWM: Constraints on Duty Cycle Value*

Setting Channel Duty Cycle Register (PWM\_CDTYx) at 0 in center aligned mode or at 0 or 1 in left aligned mode may change the polarity of the signal.

## **Problem Fix/Workaround**

Do not set PWM\_CDTYx at 0 in center aligned mode.

Do not set PWM\_CDTYx at 0 or 1 in left aligned mode.

### **40.10.4.5** *PWM: Behavior of CHIDx Status Bits in the PWM\_SR Register*

Erratic behavior of the CHIDx status bit in the PWM\_SR Register. When a channel is disabled by writing in the PWM\_DIS Register just after enabling it (before completion of a Clock Period of the clock selected for the channel), the PWM line is internally disabled but the CHIDx status bit in the PWM\_SR stays at 1.

Problem Fix/Workaround

Do not disable a channel before completion of one period of the selected clock.

## **40.10.5 Real Time Timer (RTT)**

### **40.10.5.1** *RTT: Possible Event Loss when Reading RTT\_SR*

If an event (RTTINC or ALMS) occurs within the same slow clock cycle during which the RTT\_SR is read, the corresponding bit might be cleared. This can lead to the loss of this event.

## **Problem Fix/Workaround:**

The software must handle the RTT event as an interrupt and should not poll RTT\_SR.

## **40.10.6 Serial Peripheral Interface (SPI)**

### **40.10.6.1** *SPI: Software Reset Must be Written Twice*

If a software reset (SWRST in the SPI Control Register) is performed, the SPI may not work properly (the clock is enabled before the chip select).

## **Problem Fix/Workaround**

The SPI Control Register field, SWRST needs to be written twice to be set correctly.

#### 40.10.6.2 SPI: Bad tx\_ready behavior when CSAAT = 1 and SCBR = 1

If the SPI is programmed with CSAAT = 1, SCBR(baudrate) = 1 and two transfers are performed consecutively on the same slave with an IDLE state between them, the tx\_ready signal does not rise after the second data has been transferred in the shifter. This can imply for example, that the second data is sent twice.

##### **Problem Fix/Workaround**

Do not use the combination CSAAT = 1 and SCBR = 1.

#### 40.10.6.3 SPI: LASTXFER (Last Transfer) behavior

In FIXED Mode, with CSAAT bit set, and in “PDC mode” the Chip Select can rise depending on the data written in the SPI\_TDR when the TX\_EMPTY flag is set. If for example, the PDC writes a “1” in the bit 24 (LASTXFER bit) of the SPI\_TDR, the chip select will rise as soon as the TXEMPTY flag is set.

##### **Problem Fix/Workaround**

Use the CS in PIO mode when PDC mode is required and CS has to be maintained between transfers.

#### 40.10.6.4 SPI: SPCK Behavior in Master Mode

SPCK pin can toggle out before the first transfer in Master Mode.

##### **Problem Fix/Workaround**

In Master Mode, MSTR bit must be set (in SPI\_MR register) before configuring SPI\_CSRx registers.

#### 40.10.6.5 SPI: Chip Select and Fixed Mode

In fixed Mode, if a transfer is performed through a PDC on a Chip select different from the Chip select 0, the output spi\_size sampled by the PDC will depend on the field, BITS (Bits per Transfer) of SPI\_CSR0 register, whatever the selected Chip select is. For example, if SPI\_CSR0 is configured for a 10-bit transfer whereas SPI\_CSR1 is configured for an 8-bit transfer, when a transfer is performed in Fixed mode through the PDC, on Chip select 1, the transfer will be considered as a HalfWord transfer.

##### **Problem Fix/Workaround**

If a PDC transfer has to be performed in 8 bits, on a Chip select y (y as different from 0), the BITS field of the SPI\_CSR0 must be configured in 8 bits, in the same way as the BITS field of the CSRy Register.

#### 40.10.6.6 SPI: Baudrate Set to 1

When Baudrate is set at 1 (i.e. when serial clock frequency equals the system clock frequency) and when the BITS field of the SPI\_CSR register (number of bits to be transmitted) equals an ODD value (in this case 9,11,13 or 15), an additional pulse will be generated on output SPCK.

Everything is OK if the BITS field equals 8,10,12,14 or 16 and Baudrate = 1.

##### **Problem Fix/Workaround**

None.

#### 40.10.6.7 SPI: Disable In Slave Mode

The SPI disable is not possible in slave mode.

##### **Problem Fix/Workaround**

Read first the received data, then perform the software reset.

#### 40.10.6.8 *SPI: Bad Serial Clock Generation on 2nd Chip Select*

Bad Serial clock generation on the 2nd chip select when SCBR = 1, CPOL = 1 and NCPHA = 0.

This occurs using SPI with the following conditions:

- Master Mode
- CPOL = 1 and NCPHA = 0
- Multiple chip selects are used with one transfer with Baud rate (SCBR) equal to 1 (i.e., when serial clock frequency equals the system clock frequency) and the other transfers set with SCBR are not equal to 1
- Transmitting with the slowest chip select and then with the fastest one, then an additional pulse is generated on output SPCK during the second transfer.

##### **Problem Fix/Workaround**

Do not use a multiple Chip Select configuration where at least one SCR<sub>x</sub> register is configured with SCBR = 1 and the others differ from 1 if NCPHA = 0 and CPOL = 1.

If all chip selects are configured with Baudrate = 1, the issue does not appear.

### 40.10.7 Synchronous Serial Controller (SSC)

#### 40.10.7.1 *SSC: Periodic Transmission Limitations in Master Mode*

If the Least Significant Bit is sent first (MSBF = 0), the first TAG during the frame synchro is not sent.

##### **Problem Fix/Workaround**

None.

#### 40.10.7.2 *SSC: Transmitter Limitations in Slave Mode*

If TK is programmed as output and TF is programmed as input, it is impossible to emit data when the start of edge (rising or falling) of synchro has a Start Delay equal to zero.

##### **Problem Fix/Workaround**

None.

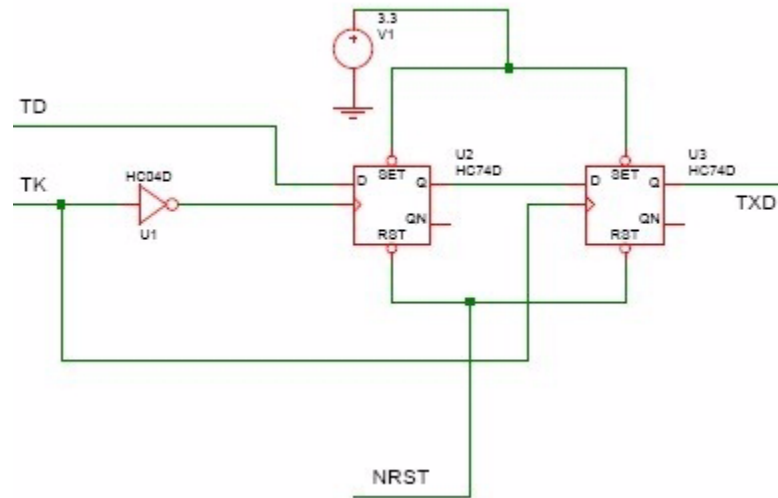
#### 40.10.7.3 *SSC: Transmitter Limitations in Slave Mode*

If TK is programmed as an input and TF is programmed as an output and requested to be set to low/high during data emission, the Frame Synchro signal is generated one bit clock period after the data start and one data bit is lost. This problem does not exist when generating a periodic synchro.

##### **Problem Fix/Workaround**

The data need to be delayed for one bit clock period with an external assembly.

In the following schematic, TD, TK and NRST are AT91SAM7S signals, TXD is the delayed data to connect to the device.



## 40.10.8 Two-wire Interface (TWI)

### 40.10.8.1 TWI: Clock Divider

The value of  $CLDIV \times 2^{CKDIV}$  must be less than or equal to 8191, the value of  $CHDIV \times 2^{CKDIV}$  must be less than or equal to 8191.

#### Problem Fix/Workaround

None.

### 40.10.8.2 TWI: Software Reset

When a software reset is performed during a frame and when TWCK is low, it is impossible to initiate a new transfer in READ or WRITE mode.

#### Problem Fix/Workaround

None.

### 40.10.8.3 TWI: Disabling Does not Operate Correctly

Any transfer in progress is immediately frozen if the Control Register (TWI\_CR) is written with the bit MSDIS at 1. Furthermore, the status bits TXCOMP and TXRDY in the Status Register (TWI\_SR) are not reset.

#### Problem Fix/Workaround

The user must wait for the end of transfer before disabling the TWI. In addition, the interrupts must be disabled before disabling the TWI.

### 40.10.8.4 TWI: NACK Status Bit Lost

During a master frame, if TWI\_SR is read between the Non Acknowledge condition detection and the TXCOMP bit rising in the TWI\_SR, the NACK bit is not set.

#### Problem Fix/Workaround

The user must wait for the TXCOMP status bit by interrupt and must not read the TWI\_SR as long as transmission is not completed.

TXCOMP and NACK fields are set simultaneously and the NACK field is reset after the read of the TWI\_SR.

#### 40.10.8.5 *TWI: Possible Receive Holding Register Corruption*

When loading the TWI\_RHR, the transfer direction is ignored. The last data byte received in the TWI\_RHR is corrupted at the end of the first subsequent transmit data byte. Neither RXRDY nor OVERRUN status bits are set if this occurs.

##### **Problem Fix/Workaround**

The user must be sure that received data is read before transmitting any new data.

### 40.10.9 USART: Universal Synchronous Asynchronous Receiver Transmitter

#### 40.10.9.1 *USART: CTS in Hardware Handshaking*

When Hardware Handshaking is used and if CTS goes low near the end of the starting bit, a character can be lost.

##### **Problem Fix/Workaround**

CTS must not go low during a time slot occurring between 2 Master Clock periods before the starting bit and 16 Master Clock periods after the rising edge of the starting bit.

#### 40.10.9.2 *USART: Hardware Handshaking – Two Characters Sent*

If CTS switches from 0 to 1 during the TX of a character and if the holding register (US\_THR) is not empty, the content of US\_THR will also be transmitted.

##### **Problem Fix/Workaround**

Don't use the PDC in transmit mode and do not fill US\_THR before TXEMPTY is set at 1.

#### 40.10.9.3 *USART: XOFF Character Bad Behavior*

The XOFF character is sent only when the receive buffer is detected full. While the XOFF is being sent, the remote transmitter is still transmitting. As only one Holding register is available in the receiver, characters will be lost in reception. This makes the software handshaking functionality ineffective.

##### **Problem Fix/Workaround**

None.

#### 40.10.9.4 *USART: RXBRK Flag Error in Asynchronous Mode*

In receiver mode, when there are two consecutive characters (without timeguard in between), RXBRK is not taken into account. As a result, the RXBRK flag is not enabled correctly and the frame error flag is set.

##### **Problem Fix/Workaround**

Constraints on the transmitter device connected to the AT91SAM7S USART receiver side:

The transmitter may use the timeguard feature or send two STOP conditions. Only one STOP condition is taken into account by the receiver state machine. After this STOP condition, as there is no valid data, the receiver state machine will go in idle mode and enable the RXBRK flag.

#### 40.10.9.5 *USART: DCD is active High instead of Low*

The DCD signal is active at High level in the USART Modem Mode.

DCD should be active at Low level.

**Problem Fix/Workaround**

Add an inverter.

**40.10.10 Voltage Regulator**

*40.10.10.1 Voltage Regulator: Current Consumption in Deep Mode*

Current consumption in Deep Mode is maximum 60  $\mu$ A instead of 25  $\mu$ A.

Due to current rejection from VDDIN to VDDCORE, the current consumption in Deep Mode cannot be guaranteed. Instead, 60  $\mu$ A is guaranteed whatever the condition.

**Problem Fix/Workaround**

None.

*40.10.10.2 Voltage Regulator: Load Versus Temperature*

Maximum load is 50 mA at 85 °C (instead of 100 mA).

Maximum load is 100 mA at 70°C.

**Problem Fix/Workaround**

None.

## 40.11 AT91SAM7S64 Errata - Manufacturing Number 58814G

Refer to [Section 40.1 “Marking” on page 591](#).

### 40.11.1 Analog-to-Digital Converter (ADC)

#### 40.11.1.1 ADC: DRDY Bit Cleared

The DRDY Flag should be clear only after a read of ADC\_LCDR (Last Converted Data Register). A read of any ADC\_CDRx register (Channel Data Register) automatically clears the DRDY flag.

##### **Problem Fix/Workaround:**

None

#### 40.11.1.2 ADC: DRDY not Cleared on Disable

When reading LCDR at the same instant as an end of conversion, with DRDY already active, DRDY is kept active regardless of the enable status of the current channel. This sets DRDY, whereas new data is not stored.

##### **Problem Fix/Workaround**

None

#### 40.11.1.3 ADC: DRDY Possibly Skipped due to CDR Read

Reading CDR for channel “y” at the same instant as an end of conversion on channel “x” with EOC[x] already active, leads to skipping to set the DRDY flag if channel “x” is enabled.

##### **Problem Fix/Workaround**

Use of DRDY functionality with access to CDR registers should be avoided.

#### 40.11.1.4 ADC: Possible Skip on DRDY when Disabling a Channel

DRDY does not rise when disabling channel “y” at the same time as an end of “x” channel conversion, although data is stored into CDRx and LCDR.

##### **Problem Fix/Workaround**

None.

#### 40.11.1.5 ADC: GOVRE Bit is not Updated

Read of the Status Register at the same instant as an end of conversion leads to skipping the update of the GOVRE (general overrun) flag. GOVRE is neither reset nor set.

For example, if reading the status while an end of conversion is occurring and:

1. GOVRE is active but DRDY is inactive, does not correspond to a new general overrun condition but the GOVRE flag is not reset.
2. GOVRE is inactive but DRDY is active, does correspond to a new general overrun condition but the GOVRE flag is not set.

##### **Problem Fix/Workaround**

None

#### 40.11.1.6 ADC: GOVRE Bit is not Set when Reading CDR

When reading CDRy (Channel Data Register y) at the same instant as an end of conversion on channel “x” with the following conditions:

- EOC[x] already active,

- DRDY already active,
- GOVRE inactive,
- previous data stored in LCDR being neither data from channel “y”, nor data from channel “x”.

GOVRE should be set but is not.

**Problem Fix/Workaround**

None

**40.11.1.7** *ADC: GOVRE Bit is not Set when Disabling a Channel*

When disabling channel “y” at the same instant as an end of conversion on channel “x”, EOC[x] and DRDY being already active, GOVRE does not rise.

Note: OVRE[x] rises as expected.

**Problem Fix/Workaround**

None

**40.11.1.8** *ADC: OVRE Flag Behavior*

When the OVRE flag (on channel i) has been set but the related EOC status (of channel i) has been cleared (by a read of CDRi or LCDR), reading the Status register at the same instant as an end of conversion (causing the set of EOC status on channel i), does not lead to a reset of the OVRE flag (on channel i) as expected.

**Problem Fix/Workaround:**

None

**40.11.1.9** *ADC: EOC Set although Channel Disabled*

If a channel is disabled while a conversion is running and if a read of CDR is performed at the same time as an end of conversion of any channel occurs, the EOC of the channel with the conversion running may rise (whereas it has been disabled).

**Problem Fix/Workaround**

Do not take into account the EOC of a disabled channel

**40.11.1.10** *ADC: Spurious Clear of EOC Flag*

If “x” and “y” are two successively converted channels and “z” is yet another enabled channel (“z” being neither “x” nor “y”), reading CDR on channel “z” at the same instant as an end of conversion on channel “y” automatically clears EOC[x] instead of EOC[z].

**Problem Fix/Workaround**

None.

**40.11.1.11** *ADC: Sleep Mode*

If Sleep mode is activated while there is no activity (no conversion is being performed), it will take effect only after a conversion occurs.

**Problem Fix/Workaround**

To activate sleep mode as soon as possible, it is recommended to write successively, ADC Mode Register (SLEEP) then ADC Control Register (START bit field); to start an analog-to-digital conversion, in order put ADC into sleep mode at the end of this conversion.



## 40.11.2 JTAG

### 40.11.2.1 JTAG: Recommendation for TDI Pin

TDI pin shows a weakness which does not effect the operation of the device. If this pin is driven over 2.0V or exposed to high electrostatic voltages, the pad might be partially destroyed and this can lead to additional continuous leakage on VDDCORE between 100 and 500  $\mu$ A.

However, this does not prevent JTAG operations.

#### **Problem Fix/Workaround**

The JTAG port remains operational even if the failure on TDI has happened. Therefore the users can develop their applications in normal conditions, except the overall system power consumption might be higher. It is recommended to handle the devices carefully during PCB soldering and to correctly ground the manufacturing equipment.

To prevent any failure on the final customer's systems, it is also recommended to tie the TDI pin at GND in the system production release and to not pull it up, as it is shown on the AT91SAM7S-EK Evaluation Board schematics.

## 40.11.3 Master Clock (MCK)

### 40.11.3.1 MCK: Limited Master Clock Frequency Ranges

If the Flash is operating without wait states, the frequency of the Master Clock MCK must be lower than 3 MHz or higher than 19 MHz.

If the Flash is operating with one wait state, the frequency of the Master Clock MCK must be lower than 3 MHz or higher than 19 MHz.

If the Flash is operating with two wait states, the frequency of the Master Clock MCK must be lower than 3 MHz or higher than 25 MHz.

If the Flash is operating with three wait states, the frequency of the Master Clock MCK must be lower than 3 MHz or higher than 38 MHz.

If these constraints are not respected, the correct operation of the system cannot be guaranteed and either data or prefetch abort might occur.

The maximum operating frequencies (at 30 MHz @ 0 Wait States and 55 MHz @ 1 Wait State) as stated in [Table 37-24, "Embedded Flash Wait States," on page 578](#), are still applicable.

Note: It is not necessary to use 2 or 3 wait states because the Flash can operate at maximum frequency with only 1 wait state.

#### **Problem Fix/Workaround**

The user must ensure that the device is running at the authorized frequency by programming the PLL properly to not run within the forbidden frequency range.

## 40.11.4 Non Volatile Memory Bits (NVM Bits)

### 40.11.4.1 NVM Bits: Write/Erase Cycles Number

The maximum number of write/erase cycles for Non Volatile Memory bits is 100. This includes Lock Bits (LOCKx), General Purpose NVM bits (GPNVMx) and the Security Bit.

This maximum number of write/erase cycles is not applicable to 64 KB Flash memory, it remains at 10K for the Flash memory.

#### **Problem Fix/Workaround**

None.

#### 40.11.5 Parallel Input/Output Controller (PIO)

##### 40.11.5.1 PIO: Leakage on PA17 - PA20

When PA17, PA18, PA19 or PA20 (the I/O lines multiplexed with the analog inputs) are set as digital inputs with pull-up disabled, the leakage can be 9  $\mu\text{A}$  in worst case and 90 nA in typical case per I/O when the I/O is set externally at low level.

##### **Problem Fix/Workaround**

Set the I/O to VDDIO by internal or external pull-up.

##### 40.11.5.2 PIO: Electrical Characteristics on NRST and PA0-PA16 and PA21-31

When NRST or PA0-PA16 or PA21-PA31 are set as digital inputs with pull-up enabled, the voltage of the I/O stabilizes at VPull-up.

##### **Vpull-up**

| VPull-up Min   | VPull-up Max   |
|----------------|----------------|
| VDDIO - 0.65 V | VDDIO - 0.45 V |

This condition causes a leakage through VDDIO. This leakage is 45  $\mu\text{A}$  per pad in worst case at 3.3 V and 25  $\mu\text{A}$  at 1.8V.

##### **I Leakage**

| Parameter         | Typ               | Max              |
|-------------------|-------------------|------------------|
| I Leakage at 3,3V | 2.5 $\mu\text{A}$ | 45 $\mu\text{A}$ |
| I Leakage at 1.8V | 1 $\mu\text{A}$   | 25 $\mu\text{A}$ |

##### **Problem Fix/Workaround**

It is recommended to use an external pull-up if needed.

##### 40.11.5.3 PIO: Drive Low NRST, PA0-PA16 and PA21-PA31

When NRST or PA0-PA16 and or PA21-PA31 are set as digital inputs with pull-up enabled, driving the I/O with an output impedance higher than 500 ohms may not drive the I/O to a logical zero.

##### **Problem Fix/Workaround**

Output impedance must be lower than 500 ohms.

#### 40.11.6 Pulse Width Modulation Controller (PWM)

##### 40.11.6.1 PWM: Update when PWM\_CCNTx = 0 or 1

If the Channel Counter Register value is 0 or 1, the Channel Period Register or Channel Duty Cycle Register is directly modified when writing the Channel Update Register.

##### **Problem Fix/Workaround**

Check the Channel Counter Register before writing the update register.

##### 40.11.6.2 PWM: Update when PWM\_CPRDx = 0

When Channel Period Register equals 0, the period update is not operational.

## **Problem Fix/Workaround**

Do not write 0 in the period register.

### **40.11.6.3 PWM: Counter Start Value**

In left aligned mode, the first start value of the counter is 0. For the other periods, the counter starts at 1.

## **Problem Fix/Workaround**

None.

### **40.11.6.4 PWM: Constraints on Duty Cycle Value**

Setting Channel Duty Cycle Register (PWM\_CDTYx) at 0 in center aligned mode or at 0 or 1 in left aligned mode may change the polarity of the signal.

## **Problem Fix/Workaround**

Do not set PWM\_CDTYx at 0 in center aligned mode.

Do not set PWM\_CDTYx at 0 or 1 in left aligned mode.

### **40.11.6.5 PWM: Behavior of CHIDx Status Bits in the PWM\_SR Register**

Erratic behavior of the CHIDx status bit in the PWM\_SR Register. When a channel is disabled by writing in the PWM\_DIS Register just after enabling it (before completion of a Clock Period of the clock selected for the channel), the PWM line is internally disabled but the CHIDx status bit in the PWM\_SR stays at 1.

## **Problem Fix/Workaround**

Do not disable a channel before completion of one period of the selected clock.

## **40.11.7 Real Time Timer (RTT)**

### **40.11.7.1 RTT: Possible Event Loss when Reading RTT\_SR**

If an event (RTTINC or ALMS) occurs within the same slow clock cycle during which the RTT\_SR is read, the corresponding bit might be cleared. This can lead to the loss of this event.

## **Problem Fix/Workaround:**

The software must handle the RTT event as an interrupt and should not poll RTT\_SR.

## **40.11.8 Serial Peripheral Interface (SPI)**

### **40.11.8.1 20. SPI: Pulse Generation on SPCK**

In Master Mode, there is an additional pulse generated on SPCK when the SPI is configured as follows:

- The Baudrate is odd and different from 1
- The Polarity is set to 1
- The Phase is set to 0

## **Problem Fix/Workaround**

None.

### **40.11.8.2 SPI: Bad tx\_ready behavior when CSAAT=1 and SCBR = 1**

If the SPI is programmed with CSAAT = 1, SCBR(baudrate) = 1 and two transfers are performed consecutively on the same slave with an IDLE state between them, the tx\_ready signal does not

rise after the second data has been transferred in the shifter. This can imply for example, that the second data is sent twice.

**Problem Fix/Workaround**

Do not use the combination CSAAT=1 and SCBR =1.

**40.11.8.3 SPI: LASTXFER (Last Transfer) behavior**

In FIXED Mode, with CSAAT bit set, and in “PDC mode” the Chip Select can rise depending on the data written in the SPI\_TDR when the TX\_EMPTY flag is set. If for example, the PDC writes a “1” in the bit 24 (LASTXFER bit) of the SPI\_TDR, the chip select will rise as soon as the TXEMPTY flag is set.

**Problem Fix/Workaround**

Use the CS in PIO mode when PDC mode is required and CS has to be maintained between transfers.

**40.11.8.4 SPI: SPCK Behavior in Master Mode**

SPCK pin can toggle out before the first transfer in Master Mode.

**Problem Fix/Workaround**

In Master Mode, MSTR bit must be set (in SPI\_MR register) before configuring SPI\_CSRx registers.

**40.11.8.5 SPI: Chip Select and Fixed Mode**

In fixed Mode, if a transfer is performed through a PDC on a Chip select different from the Chip select 0, the output spi\_size sampled by the PDC will depend on the field, BITS (Bits per Transfer) of SPI\_CSR0 register, whatever the selected Chip select is. For example, if SPI\_CSR0 is configured for a 10-bit transfer whereas SPI\_CSR1 is configured for an 8-bit transfer, when a transfer is performed in Fixed mode through the PDC, on Chip select 1, the transfer will be considered as a HalfWord transfer.

**Problem Fix/Workaround**

If a PDC transfer has to be performed in 8 bits, on a Chip select y (y as different from 0), the BITS field of the SPI\_CSR0 must be configured in 8 bits, in the same way as the BITS field of the CSRy Register.

**40.11.8.6 SPI: Baudrate Set to 1**

When Baudrate is set at 1 (i.e. when serial clock frequency equals the system clock frequency) and when the BITS field of the SPI\_CSR register (number of bits to be transmitted) equals an ODD value (in this case 9,11,13 or 15), an additional pulse will be generated on output SPCK.

Everything is OK if the BITS field equals 8,10,12,14 or 16 and Baudrate = 1.

**Problem Fix/Workaround**

None.

**40.11.8.7 SPI: Disable In Slave Mode**

The SPI disable is not possible in slave mode.

**Problem Fix/Workaround**

Read first the received data, then perform the software reset.

## 40.11.8.8 SPI: Disable Issue

The SPI Command “SPI Disable” is not possible during a transfer, it must be performed only after TX\_EMPTY rising else there is everlasting dummy transfers occur.

### Problem Fix/Workaround

None.

## 40.11.8.9 SPI: Software Reset and SPIEN Bit

The SPI Command “software reset” does not reset the SPIEN config bit. Therefore rewriting an SPI enable command does not set TX\_READY, TX\_EMPTY flags.

### Problem Fix/Workaround

Send SPI disable command after a software reset.

## 40.11.8.10 SPI: CSAAT = 1 and Delay

If CSAAT = 1 for current access and there is no more TX request for a time greater than DLYBCT + DLYBCS, then if an access is requested on another slave, the NPCS bus switches from one CS to the one requested without DLYBCS. External Slaves may reach a contention on SPI\_MISO line for a short period.

### Problem Fix/Workaround

Assert the Last Transfer Command (NPCS de-activation) for the last character of each slave.

## 40.11.8.11 SPI: Bad Serial Clock Generation on 2nd Chip Select

Bad Serial clock generation on the 2nd chip select when SCBR = 1, CPOL = 1 and NCPHA = 0.

This occurs using SPI with the following conditions:

- Master Mode
- CPOL = 1 and NCPHA = 0
- Multiple chip selects are used with one transfer with Baud rate (SCBR) equal to 1 (i.e., when serial clock frequency equals the system clock frequency) and the other transfers set with SCBR are not equal to 1
- Transmitting with the slowest chip select and then with the fastest one, then an additional pulse is generated on output SPCK during the second transfer.

### Problem Fix/Workaround

Do not use a multiple Chip Select configuration where at least one SCRx register is configured with SCBR = 1 and the others differ from 1 if NCPHA = 0 and CPOL = 1.

If all chip selects are configured with Baudrate = 1, the issue does not appear.

## 40.11.9 Synchronous Serial Controller (SSC)

### 40.11.9.1 SSC: Periodic Transmission Limitations in Master Mode

If the Least Significant Bit is sent first (MSBF = 0), the first TAG during the frame synchro is not sent.

### Problem Fix/Workaround

None.

#### 40.11.9.2 SSC: Transmitter Limitations in Slave Mode

If TK is programmed as output and TF is programmed as input, it is impossible to emit data when the start of edge (rising or falling) of synchro has a Start Delay equal to zero.

##### Problem Fix/Workaround

None.

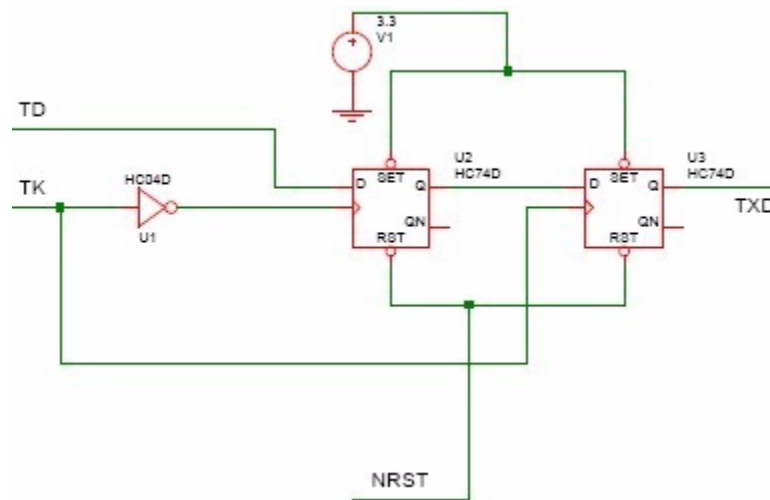
#### 40.11.9.3 SSC: Transmitter Limitations in Slave Mode

If TK is programmed as an input and TF is programmed as an output and requested to be set to low/high during data emission, the Frame Synchro signal is generated one bit clock period after the data start and one data bit is lost. This problem does not exist when generating a periodic synchro.

##### Problem Fix/Workaround

The data need to be delayed for one bit clock period with an external assembly.

In the following schematic, TD, TK and NRST are AT91SAM7S signals, TXD is the delayed data to connect to the device.



#### 40.11.10 Two-wire Interface (TWI)

##### 40.11.10.1 TWI: Clock Divider

The value of  $CLDIV \times 2^{CKDIV}$  must be less than or equal to 8191, the value of  $CHDIV \times 2^{CKDIV}$  must be less than or equal to 8191.

##### Problem Fix/Workaround

None.

##### 40.11.10.2 TWI: Software Reset

When a software reset is performed during a frame and when TWCK is low, it is impossible to initiate a new transfer in READ or WRITE mode.

##### Problem Fix/Workaround

None.

#### 40.11.10.3 TWI: Disabling Does not Operate Correctly

Any transfer in progress is immediately frozen if the Control Register (TWI\_CR) is written with the bit MSDIS at 1. Furthermore, the status bits TXCOMP and TXRDY in the Status Register (TWI\_SR) are not reset.

##### **Problem Fix/Workaround**

The user must wait for the end of transfer before disabling the TWI. In addition, the interrupts must be disabled before disabling the TWI.

#### 40.11.10.4 TWI: NACK Status Bit Lost

During a master frame, if TWI\_SR is read between the Non Acknowledge condition detection and the TXCOMP bit rising in the TWI\_SR, the NACK bit is not set.

##### **Problem Fix/Workaround**

The user must wait for the TXCOMP status bit by interrupt and must not read the TWI\_SR as long as transmission is not completed.

TXCOMP and NACK fields are set simultaneously and the NACK field is reset after the read of the TWI\_SR.

#### 40.11.10.5 TWI: Possible Receive Holding Register Corruption

When loading the TWI\_RHR, the transfer direction is ignored. The last data byte received in the TWI\_RHR is corrupted at the end of the first subsequent transmit data byte. Neither RXRDY nor OVERRUN status bits are set if this occurs.

##### **Problem Fix/Workaround**

The user must be sure that received data is read before transmitting any new data.

### 40.11.11 Universal Synchronous Asynchronous Receiver Transmitter (USART)

#### 40.11.11.1 USART: Hardware Handshake

The Hardware Handshake does not work at speeds higher than 750 kbauds.

##### **Problem Fix/Workaround**

None.

#### 40.11.11.2 USART: CTS in Hardware Handshaking

When Hardware Handshaking is used and if CTS goes low near the end of the starting bit, a character can be lost.

##### **Problem Fix/Workaround**

CTS must not go low during a time slot occurring between 2 Master Clock periods before the starting bit and 16 Master Clock periods after the rising edge of the starting bit.

#### 40.11.11.3 USART: Hardware Handshaking – Two Characters Sent

If CTS switches from 0 to 1 during the TX of a character and if the holding register (US\_THR) is not empty, the content of US\_THR will also be transmitted.

##### **Problem Fix/Workaround**

Don't use the PDC in transmit mode and do not fill US\_THR before TXEMPTY is set at 1.

#### 40.11.11.4 *USART: XOFF Character Bad Behavior*

The XOFF character is sent only when the receive buffer is detected full. While the XOFF is being sent, the remote transmitter is still transmitting. As only one Holding register is available in the receiver, characters will be lost in reception. This makes the software handshaking functionality ineffective.

##### **Problem Fix/Workaround**

None.

#### 40.11.11.5 *USART: DCD is active High instead of Low*

The DCD signal is active at High level in the USART Modem Mode.

DCD should be active at Low level.

##### **Problem Fix/Workaround**

Add an inverter.

### 40.11.12 **Voltage Regulator**

#### 40.11.12.1 *Voltage Regulator: Current Consumption in Deep Mode*

Current consumption in Deep Mode is maximum 60  $\mu$ A instead of 25  $\mu$ A.

Due to current rejection from VDDIN to VDDCORE, the current consumption in Deep Mode cannot be guaranteed. Instead, 60  $\mu$ A is guaranteed whatever the condition.

##### **Problem Fix/Workaround**

None.

#### 40.11.12.2 *Voltage Regulator: Load Versus Temperature*

Maximum load is 50 mA at 85 °C (instead of 100 mA).

Maximum load is 100 mA at 70°C.

##### **Problem Fix/Workaround**

None.



## 40.12 AT91SAM7S64 Errata - Revision A Parts

Refer to [Section 40.1 “Marking” on page 591](#).

Note: AT91SAM7S64 Revision A chip ID is 0x2709 0540.

### 40.12.1 Analog-to-Digital Converter (ADC)

#### 40.12.1.1 ADC: DRDY Bit Cleared

The DRDY Flag should be clear only after a read of ADC\_LCDR (Last Converted Data Register). A read of any ADC\_CDRx register (Channel Data Register) automatically clears the DRDY flag.

##### **Problem Fix/Workaround:**

None

#### 40.12.1.2 ADC: DRDY not Cleared on Disable

When reading LCDR at the same instant as an end of conversion, with DRDY already active, DRDY is kept active regardless of the enable status of the current channel. This sets DRDY, whereas new data is not stored.

##### **Problem Fix/Workaround**

None

#### 40.12.1.3 ADC: DRDY Possibly Skipped due to CDR Read

Reading CDR for channel “y” at the same instant as an end of conversion on channel “x” with EOC[x] already active, leads to skipping to set the DRDY flag if channel “x” is enabled.

##### **Problem Fix/Workaround**

Use of DRDY functionality with access to CDR registers should be avoided.

#### 40.12.1.4 ADC: Possible Skip on DRDY when Disabling a Channel

DRDY does not rise when disabling channel “y” at the same time as an end of “x” channel conversion, although data is stored into CDRx and LCDR.

##### **Problem Fix/Workaround**

None.

#### 40.12.1.5 ADC: GOVRE Bit is not Updated

Read of the Status Register at the same instant as an end of conversion leads to skipping the update of the GOVRE (general overrun) flag. GOVRE is neither reset nor set.

For example, if reading the status while an end of conversion is occurring and:

1. GOVRE is active but DRDY is inactive, does not correspond to a new general overrun condition but the GOVRE flag is not reset.
2. GOVRE is inactive but DRDY is active, does correspond to a new general overrun condition but the GOVRE flag is not set.

##### **Problem Fix/Workaround**

None

#### 40.12.1.6 *ADC: GOVRE Bit is not Set when Reading CDR*

When reading CDR<sub>y</sub> (Channel Data Register *y*) at the same instant as an end of conversion on channel “*x*” with the following conditions:

- EOC[*x*] already active,
- DRDY already active,
- GOVRE inactive,
- previous data stored in LCDR being neither data from channel “*y*”, nor data from channel “*x*”.

GOVRE should be set but is not.

##### **Problem Fix/Workaround**

None

#### 40.12.1.7 *ADC: GOVRE Bit is not Set when Disabling a Channel*

When disabling channel “*y*” at the same instant as an end of conversion on channel “*x*”, EOC[*x*] and DRDY being already active, GOVRE does not rise.

Note: OVRE[*x*] rises as expected.

##### **Problem Fix/Workaround**

None

#### 40.12.1.8 *ADC: OVRE Flag Behavior*

When the OVRE flag (on channel *i*) has been set but the related EOC status (of channel *i*) has been cleared (by a read of CDR<sub>*i*</sub> or LCDR), reading the Status register at the same instant as an end of conversion (causing the set of EOC status on channel *i*), does not lead to a reset of the OVRE flag (on channel *i*) as expected.

##### **Problem Fix/Workaround:**

None

#### 40.12.1.9 *ADC: EOC Set although Channel Disabled*

If a channel is disabled while a conversion is running and if a read of CDR is performed at the same time as an end of conversion of any channel occurs, the EOC of the channel with the conversion running may rise (whereas it has been disabled).

##### **Problem Fix/Workaround**

Do not take into account the EOC of a disabled channel

#### 40.12.1.10 *ADC: Spurious Clear of EOC Flag*

If “*x*” and “*y*” are two successively converted channels and “*z*” is yet another enabled channel (“*z*” being neither “*x*” nor “*y*”), reading CDR on channel “*z*” at the same instant as an end of conversion on channel “*y*” automatically clears EOC[*x*] instead of EOC[*z*].

##### **Problem Fix/Workaround**

None.

#### 40.12.1.11 *ADC: Sleep Mode*

If Sleep mode is activated while there is no activity (no conversion is being performed), it will take effect only after a conversion occurs.

##### **Problem Fix/Workaround**

To activate sleep mode as soon as possible, it is recommended to write successively, ADC Mode Register (SLEEP) then ADC Control Register (START bit field); to start an analog-to-digital conversion, in order put ADC into sleep mode at the end of this conversion.

## 40.12.2 Non Volatile Memory Bits (NVM Bits)

### 40.12.2.1 NVM Bits: Write/Erase Cycles Number

The maximum number of write/erase cycles for Non Volatile Memory bits is 100. This includes Lock Bits (LOCKx), General Purpose NVM bits (GPNVMx) and the Security Bit.

This maximum number of write/erase cycles is not applicable to 64 KB Flash memory, it remains at 10K for the Flash memory.

#### Problem Fix/Workaround

None.

## 40.12.3 Parallel Input/Output Controller (PIO)

### 40.12.3.1 PIO: Leakage on PA17 - PA20

When PA17, PA18, PA19 or PA20 (the I/O lines multiplexed with the analog inputs) are set as digital inputs with pull-up disabled, the leakage can be 9  $\mu\text{A}$  in worst case and 90 nA in typical case per I/O when the I/O is set externally at low level.

#### Problem Fix/Workaround

Set the I/O to VDDIO by internal or external pull-up.

### 40.12.3.2 PIO: Electrical Characteristics on NRST and PA0-PA16 and PA21-31

When NRST or PA0-PA16 or PA21-PA31 are set as digital inputs with pull-up enabled, the voltage of the I/O stabilizes at VPull-up.

#### VPull-up

| VPull-up Min   | VPull-up Max   |
|----------------|----------------|
| VDDIO - 0.65 V | VDDIO - 0.45 V |

This condition causes a leakage through VDDIO. This leakage is 45  $\mu\text{A}$  per pad in worst case at 3.3 V and 25  $\mu\text{A}$  at 1.8V.

#### I Leakage

| Parameter         | Typ               | Max              |
|-------------------|-------------------|------------------|
| I Leakage at 3,3V | 2.5 $\mu\text{A}$ | 45 $\mu\text{A}$ |
| I Leakage at 1.8V | 1 $\mu\text{A}$   | 25 $\mu\text{A}$ |

#### Problem Fix/Workaround

It is recommended to use an external pull-up if needed.

### 40.12.3.3 PIO: Drive Low NRST, PA0-PA16 and PA21-PA31

When NRST or PA0-PA16 and or PA21-PA31 are set as digital inputs with pull-up enabled, driving the I/O with an output impedance higher than 500 ohms may not drive the I/O to a logical zero.

### **Problem Fix/Workaround**

Output impedance must be lower than 500 ohms.

## **40.12.4 Pulse Width Modulation Controller (PWM)**

### *40.12.4.1 PWM: Update when PWM\_CCNTx = 0 or 1*

If the Channel Counter Register value is 0 or 1, the Channel Period Register or Channel Duty Cycle Register is directly modified when writing the Channel Update Register.

#### **Problem Fix/Workaround**

Check the Channel Counter Register before writing the update register.

### *40.12.4.2 PWM: Update when PWM\_CPRDx = 0*

When Channel Period Register equals 0, the period update is not operational.

#### **Problem Fix/Workaround**

Do not write 0 in the period register.

### *40.12.4.3 PWM: Counter Start Value*

In left aligned mode, the first start value of the counter is 0. For the other periods, the counter starts at 1.

#### **Problem Fix/Workaround**

None.

### *40.12.4.4 PWM: Constraints on Duty Cycle Value*

Setting Channel Duty Cycle Register (PWM\_CDTYx) at 0 in center aligned mode or at 0 or 1 in left aligned mode may change the polarity of the signal.

#### **Problem Fix/Workaround**

Do not set PWM\_CDTYx at 0 in center aligned mode.

Do not set PWM\_CDTYx at 0 or 1 in left aligned mode.

### *40.12.4.5 PWM: Behavior of CHIDx Status Bits in the PWM\_SR Register*

Erratic behavior of the CHIDx status bit in the PWM\_SR Register. When a channel is disabled by writing in the PWM\_DIS Register just after enabling it (before completion of a Clock Period of the clock selected for the channel), the PWM line is internally disabled but the CHIDx status bit in the PWM\_SR stays at 1.

#### **Problem Fix/Workaround**

Do not disable a channel before completion of one period of the selected clock.

## **40.12.5 Real Time Timer (RTT)**

### *40.12.5.1 RTT: Possible Event Loss when Reading RTT\_SR*

If an event (RTTINC or ALMS) occurs within the same slow clock cycle during which the RTT\_SR is read, the corresponding bit might be cleared. This can lead to the loss of this event.

#### **Problem Fix/Workaround:**

The software must handle the RTT event as an interrupt and should not poll RTT\_SR.

## 40.12.6 Serial Peripheral Interface (SPI)

### 40.12.6.1 20. SPI: Pulse Generation on SPCK

In Master Mode, there is an additional pulse generated on SPCK when the SPI is configured as follows:

- The Baudrate is odd and different from 1
- The Polarity is set to 1
- The Phase is set to 0

#### **Problem Fix/Workaround**

None.

### 40.12.6.2 SPI: Bad tx\_ready behavior when CSAAT=1 and SCBR = 1

If the SPI is programmed with CSAAT = 1, SCBR(baudrate) = 1 and two transfers are performed consecutively on the same slave with an IDLE state between them, the tx\_ready signal does not rise after the second data has been transferred in the shifter. This can imply for example, that the second data is sent twice.

#### **Problem Fix/Workaround**

Do not use the combination CSAAT=1 and SCBR =1.

### 40.12.6.3 SPI: LASTXFER (Last Transfer) behavior

In FIXED Mode, with CSAAT bit set, and in “PDC mode” the Chip Select can rise depending on the data written in the SPI\_TDR when the TX\_EMPTY flag is set. If for example, the PDC writes a “1” in the bit 24 (LASTXFER bit) of the SPI\_TDR, the chip select will rise as soon as the TXEMPTY flag is set.

#### **Problem Fix/Workaround**

Use the CS in PIO mode when PDC mode is required and CS has to be maintained between transfers.

### 40.12.6.4 SPI: SPCK Behavior in Master Mode

SPCK pin can toggle out before the first transfer in Master Mode.

#### **Problem Fix/Workaround**

In Master Mode, MSTR bit must be set (in SPI\_MR register) before configuring SPI\_CSRx registers.

### 40.12.6.5 SPI: Chip Select and Fixed Mode

In fixed Mode, if a transfer is performed through a PDC on a Chip select different from the Chip select 0, the output spi\_size sampled by the PDC will depend on the field, BITS (Bits per Transfer) of SPI\_CSR0 register, whatever the selected Chip select is. For example, if SPI\_CSR0 is configured for a 10-bit transfer whereas SPI\_CSR1 is configured for an 8-bit transfer, when a transfer is performed in Fixed mode through the PDC, on Chip select 1, the transfer will be considered as a HalfWord transfer.

#### **Problem Fix/Workaround**

If a PDC transfer has to be performed in 8 bits, on a Chip select y (y as different from 0), the BITS field of the SPI\_CSR0 must be configured in 8 bits, in the same way as the BITS field of the CSRy Register.

#### 40.12.6.6 *SPI: Baudrate Set to 1*

When Baudrate is set at 1 (i.e. when serial clock frequency equals the system clock frequency) and when the BITS field of the SPI\_CSR register (number of bits to be transmitted) equals an ODD value (in this case 9,11,13 or 15), an additional pulse will be generated on output SPCK.

Everything is OK if the BITS field equals 8,10,12,14 or 16 and Baudrate = 1.

##### **Problem Fix/Workaround**

None.

#### 40.12.6.7 *SPI: Disable In Slave Mode*

The SPI disable is not possible in slave mode.

##### **Problem Fix/Workaround**

Read first the received data, then perform the software reset.

#### 40.12.6.8 *SPI: Disable Issue*

The SPI Command “SPI Disable” is not possible during a transfer, it must be performed only after TX\_EMPTY rising else there is everlasting dummy transfers occur.

##### **Problem Fix/Workaround**

None.

#### 40.12.6.9 *SPI: Software Reset and SPIEN Bit*

The SPI Command “software reset” does not reset the SPIEN config bit. Therefore rewriting an SPI enable command does not set TX\_READY, TX\_EMPTY flags.

##### **Problem Fix/Workaround**

Send SPI disable command after a software reset.

#### 40.12.6.10 *SPI: CSAAT = 1 and Delay*

If CSAAT = 1 for current access and there is no more TX request for a time greater than DLYBCT + DLYBCS, then if an access is requested on another slave, the NPCS bus switches from one CS to the one requested without DLYBCS. External Slaves may reach a contention on SPI\_MISO line for a short period.

##### **Problem Fix/Workaround**

Assert the Last Transfer Command (NPCS de-activation) for the last character of each slave.

#### 40.12.6.11 *SPI: Bad Serial Clock Generation on 2nd Chip Select*

Bad Serial clock generation on the 2nd chip select when SCBR = 1, CPOL = 1 and NCPHA = 0.

This occurs using SPI with the following conditions:

- Master Mode
- CPOL = 1 and NCPHA = 0
- Multiple chip selects are used with one transfer with Baud rate (SCBR) equal to 1 (i.e., when serial clock frequency equals the system clock frequency) and the other transfers set with SCBR are not equal to 1
- Transmitting with the slowest chip select and then with the fastest one, then an additional pulse is generated on output SPCK during the second transfer.

##### **Problem Fix/Workaround**

Do not use a multiple Chip Select configuration where at least one SCRx register is configured with SCBR = 1 and the others differ from 1 if NCPHA = 0 and CPOL = 1.

If all chip selects are configured with Baudrate = 1, the issue does not appear.

## 40.12.7 Synchronous Serial Controller (SSC)

### 40.12.7.1 SSC: Periodic Transmission Limitations in Master Mode

If the Least Significant Bit is sent first (MSBF = 0), the first TAG during the frame synchro is not sent.

#### Problem Fix/Workaround

None.

### 40.12.7.2 SSC: Transmitter Limitations in Slave Mode

If TK is programmed as output and TF is programmed as input, it is impossible to emit data when the start of edge (rising or falling) of synchro has a Start Delay equal to zero.

#### Problem Fix/Workaround

None.

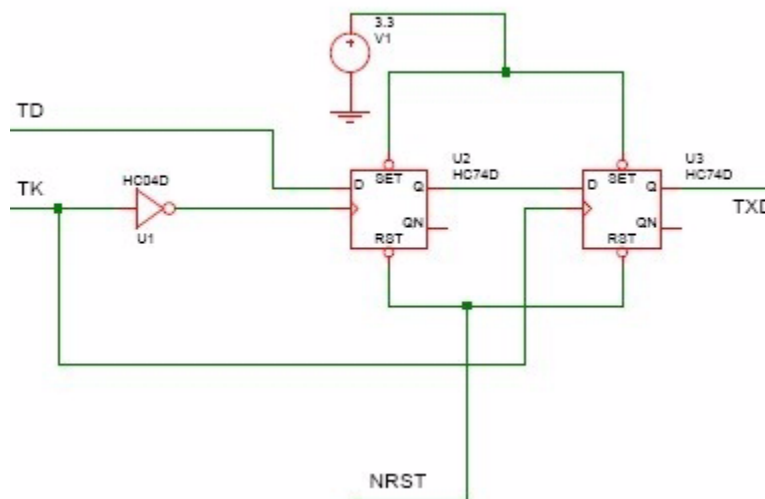
### 40.12.7.3 SSC: Transmitter Limitations in Slave Mode

If TK is programmed as an input and TF is programmed as an output and requested to be set to low/high during data emission, the Frame Synchro signal is generated one bit clock period after the data start and one data bit is lost. This problem does not exist when generating a periodic synchro.

#### Problem Fix/Workaround

The data need to be delayed for one bit clock period with an external assembly.

In the following schematic, TD, TK and NRST are AT91SAM7S signals, TXD is the delayed data to connect to the device.



## 40.12.8 Two-wire Interface (TWI)

### 40.12.8.1 TWI: Clock Divider

The value of  $CLDIV \times 2^{CKDIV}$  must be less than or equal to 8191, the value of  $CHDIV \times 2^{CKDIV}$  must be less than or equal to 8191.

#### Problem Fix/Workaround

None.

### 40.12.8.2 TWI: Software Reset

When a software reset is performed during a frame and when TWCK is low, it is impossible to initiate a new transfer in READ or WRITE mode.

#### Problem Fix/Workaround

None.

### 40.12.8.3 TWI: Disabling Does not Operate Correctly

Any transfer in progress is immediately frozen if the Control Register (TWI\_CR) is written with the bit MSDIS at 1. Furthermore, the status bits TXCOMP and TXRDY in the Status Register (TWI\_SR) are not reset.

#### Problem Fix/Workaround

The user must wait for the end of transfer before disabling the TWI. In addition, the interrupts must be disabled before disabling the TWI.

### 40.12.8.4 TWI: NACK Status Bit Lost

During a master frame, if TWI\_SR is read between the Non Acknowledge condition detection and the TXCOMP bit rising in the TWI\_SR, the NACK bit is not set.

#### Problem Fix/Workaround

The user must wait for the TXCOMP status bit by interrupt and must not read the TWI\_SR as long as transmission is not completed.

TXCOMP and NACK fields are set simultaneously and the NACK field is reset after the read of the TWI\_SR.

### 40.12.8.5 TWI: Possible Receive Holding Register Corruption

When loading the TWI\_RHR, the transfer direction is ignored. The last data byte received in the TWI\_RHR is corrupted at the end of the first subsequent transmit data byte. Neither RXRDY nor OVERRUN status bits are set if this occurs.

#### Problem Fix/Workaround

The user must be sure that received data is read before transmitting any new data.

## 40.12.9 Universal Synchronous Asynchronous Receiver Transmitter (USART)

### 40.12.9.1 USART: Hardware Handshake

The Hardware Handshake does not work at speeds higher than 750 kbauds.

#### Problem Fix/Workaround

None.



## 40.12.9.2 *USART: CTS in Hardware Handshaking*

When Hardware Handshaking is used and if CTS goes low near the end of the starting bit, a character can be lost.

### **Problem Fix/Workaround**

CTS must not go low during a time slot occurring between 2 Master Clock periods before the starting bit and 16 Master Clock periods after the rising edge of the starting bit.

## 40.12.9.3 *USART: Hardware Handshaking – Two Characters Sent*

If CTS switches from 0 to 1 during the TX of a character and if the holding register (US\_THR) is not empty, the content of US\_THR will also be transmitted.

### **Problem Fix/Workaround**

Don't use the PDC in transmit mode and do not fill US\_THR before TXEMPTY is set at 1.

## 40.12.9.4 *USART: XOFF Character Bad Behavior*

The XOFF character is sent only when the receive buffer is detected full. While the XOFF is being sent, the remote transmitter is still transmitting. As only one Holding register is available in the receiver, characters will be lost in reception. This makes the software handshaking functionality ineffective.

### **Problem Fix/Workaround**

None.

## 40.12.9.5 *USART: DCD is active High instead of Low*

The DCD signal is active at High level in the USART Modem Mode.

DCD should be active at Low level.

### **Problem Fix/Workaround**

Add an inverter.

## 40.12.10 **Voltage Regulator**

### 40.12.10.1 *Voltage Regulator: Current Consumption in Deep Mode*

Current consumption in Deep Mode is maximum 60  $\mu$ A instead of 25  $\mu$ A.

Due to current rejection from VDDIN to VDDCORE, the current consumption in Deep Mode cannot be guaranteed. Instead, 60  $\mu$ A is guaranteed whatever the condition.

### **Problem Fix/Workaround**

None.

### 40.12.10.2 *Voltage Regulator: Load Versus Temperature*

Maximum load is 50 mA at 85 °C (instead of 100 mA).

Maximum load is 100 mA at 70°C.

### **Problem Fix/Workaround**

None.

## 40.13 AT91SAM7S64 Errata - Revision B Parts

Refer to [Section 40.1 “Marking” on page 591](#).

Note: AT91SAM7S64 Revision B chip ID is: 0x2709 0543.

### 40.13.1 Analog-to-Digital Converter (ADC)

#### 40.13.1.1 ADC: DRDY Bit Cleared

The DRDY Flag should be clear only after a read of ADC\_LCDR (Last Converted Data Register). A read of any ADC\_CDRx register (Channel Data Register) automatically clears the DRDY flag.

**Problem Fix/Workaround:**

None

#### 40.13.1.2 ADC: DRDY not Cleared on Disable

When reading LCDR at the same instant as an end of conversion, with DRDY already active, DRDY is kept active regardless of the enable status of the current channel. This sets DRDY, whereas new data is not stored.

**Problem Fix/Workaround**

None

#### 40.13.1.3 ADC: DRDY Possibly Skipped due to CDR Read

Reading CDR for channel “y” at the same instant as an end of conversion on channel “x” with EOC[x] already active, leads to skipping to set the DRDY flag if channel “x” is enabled.

**Problem Fix/Workaround**

Use of DRDY functionality with access to CDR registers should be avoided.

#### 40.13.1.4 ADC: Possible Skip on DRDY when Disabling a Channel

DRDY does not rise when disabling channel “y” at the same time as an end of “x” channel conversion, although data is stored into CDRx and LCDR.

**Problem Fix/Workaround**

None.

#### 40.13.1.5 ADC: GOVRE Bit is not Updated

Read of the Status Register at the same instant as an end of conversion leads to skipping the update of the GOVRE (general overrun) flag. GOVRE is neither reset nor set.

For example, if reading the status while an end of conversion is occurring and:

1. GOVRE is active but DRDY is inactive, does not correspond to a new general overrun condition but the GOVRE flag is not reset.
2. GOVRE is inactive but DRDY is active, does correspond to a new general overrun condition but the GOVRE flag is not set.

**Problem Fix/Workaround**

None

## 40.13.1.6 ADC: GOVRE Bit is not Set when Reading CDR

When reading CDR<sub>y</sub> (Channel Data Register y) at the same instant as an end of conversion on channel “x” with the following conditions:

- EOC[x] already active,
- DRDY already active,
- GOVRE inactive,
- previous data stored in LCDR being neither data from channel “y”, nor data from channel “x”.

GOVRE should be set but is not.

### **Problem Fix/Workaround**

None

## 40.13.1.7 ADC: GOVRE Bit is not Set when Disabling a Channel

When disabling channel “y” at the same instant as an end of conversion on channel “x”, EOC[x] and DRDY being already active, GOVRE does not rise.

Note: OVRE[x] rises as expected.

### **Problem Fix/Workaround**

None

## 40.13.1.8 ADC: OVRE Flag Behavior

When the OVRE flag (on channel i) has been set but the related EOC status (of channel i) has been cleared (by a read of CDR<sub>i</sub> or LCDR), reading the Status register at the same instant as an end of conversion (causing the set of EOC status on channel i), does not lead to a reset of the OVRE flag (on channel i) as expected.

### **Problem Fix/Workaround:**

None

## 40.13.1.9 ADC: EOC Set although Channel Disabled

If a channel is disabled while a conversion is running and if a read of CDR is performed at the same time as an end of conversion of any channel occurs, the EOC of the channel with the conversion running may rise (whereas it has been disabled).

### **Problem Fix/Workaround**

Do not take into account the EOC of a disabled channel

## 40.13.1.10 ADC: Spurious Clear of EOC Flag

If “x” and “y” are two successively converted channels and “z” is yet another enabled channel (“z” being neither “x” nor “y”), reading CDR on channel “z” at the same instant as an end of conversion on channel “y” automatically clears EOC[x] instead of EOC[z].

### **Problem Fix/Workaround**

None.

## 40.13.1.11 ADC: Sleep Mode

If Sleep mode is activated while there is no activity (no conversion is being performed), it will take effect only after a conversion occurs.

### **Problem Fix/Workaround**

To activate sleep mode as soon as possible, it is recommended to write successively, ADC Mode Register (SLEEP) then ADC Control Register (START bit field); to start an analog-to-digital conversion, in order put ADC into sleep mode at the end of this conversion.

## 40.13.2 Non Volatile Memory Bits (NVM Bits)

### 40.13.2.1 NVM Bits: Write/Erase Cycles Number

The maximum number of write/erase cycles for Non Volatile Memory bits is 100. This includes Lock Bits (LOCKx), General Purpose NVM bits (GPNVMx) and the Security Bit.

This maximum number of write/erase cycles is not applicable to 64 KB Flash memory, it remains at 10K for the Flash memory.

#### Problem Fix/Workaround

None.

## 40.13.3 Parallel Input/Output Controller (PIO)

### 40.13.3.1 PIO: Electrical Characteristics on NRST and PA0-PA16 and PA21-31

When NRST or PA0-PA16 or PA21-PA31 are set as digital inputs with pull-up enabled, the voltage of the I/O stabilizes at VPull-up.

#### VPull-up

| VPull-up Min   | VPull-up Max   |
|----------------|----------------|
| VDDIO - 0.65 V | VDDIO - 0.45 V |

This condition causes a leakage through VDDIO. This leakage is 45  $\mu$ A per pad in worst case at 3.3 V and 25  $\mu$ A at 1.8V.

#### I Leakage

| Parameter         | Typ         | Max        |
|-------------------|-------------|------------|
| I Leakage at 3,3V | 2.5 $\mu$ A | 45 $\mu$ A |
| I Leakage at 1.8V | 1 $\mu$ A   | 25 $\mu$ A |

#### Problem Fix/Workaround

It is recommended to use an external pull-up if needed.

### 40.13.3.2 PIO: Drive Low NRST, PA0-PA16 and PA21-PA31

When NRST or PA0-PA16 and or PA21-PA31 are set as digital inputs with pull-up enabled, driving the I/O with an output impedance higher than 500 ohms may not drive the I/O to a logical zero.

#### Problem Fix/Workaround

Output impedance must be lower than 500 ohms.

## 40.13.4 Pulse Width Modulation Controller (PWM)

### 40.13.4.1 PWM: Update when PWM\_CCNTx = 0 or 1

If the Channel Counter Register value is 0 or 1, the Channel Period Register or Channel Duty Cycle Register is directly modified when writing the Channel Update Register.

#### **Problem Fix/Workaround**

Check the Channel Counter Register before writing the update register.

### 40.13.4.2 PWM: Update when PWM\_CPRDx = 0

When Channel Period Register equals 0, the period update is not operational.

#### **Problem Fix/Workaround**

Do not write 0 in the period register.

### 40.13.4.3 PWM: Counter Start Value

In left aligned mode, the first start value of the counter is 0. For the other periods, the counter starts at 1.

#### **Problem Fix/Workaround**

None.

### 40.13.4.4 PWM: Constraints on Duty Cycle Value

Setting Channel Duty Cycle Register (PWM\_CDTYx) at 0 in center aligned mode or at 0 or 1 in left aligned mode may change the polarity of the signal.

#### **Problem Fix/Workaround**

Do not set PWM\_CDTYx at 0 in center aligned mode.

Do not set PWM\_CDTYx at 0 or 1 in left aligned mode.

### 40.13.4.5 PWM: Behavior of CHIDx Status Bits in the PWM\_SR Register

Erratic behavior of the CHIDx status bit in the PWM\_SR Register. When a channel is disabled by writing in the PWM\_DIS Register just after enabling it (before completion of a Clock Period of the clock selected for the channel), the PWM line is internally disabled but the CHIDx status bit in the PWM\_SR stays at 1.

#### **Problem Fix/Workaround**

Do not disable a channel before completion of one period of the selected clock.

## 40.13.5 Real Time Timer (RTT)

### 40.13.5.1 RTT: Possible Event Loss when Reading RTT\_SR

If an event (RTTINC or ALMS) occurs within the same slow clock cycle during which the RTT\_SR is read, the corresponding bit might be cleared. This can lead to the loss of this event.

#### **Problem Fix/Workaround:**

The software must handle the RTT event as an interrupt and should not poll RTT\_SR.

## 40.13.6 Serial Peripheral Interface (SPI)

### 40.13.6.1 SPI: Software Reset Must be Written Twice

If a software reset (SWRST in the SPI Control Register) is performed, the SPI may not work properly (the clock is enabled before the chip select).

#### **Problem Fix/Workaround**

The SPI Control Register field, SWRST needs to be written twice to be set correctly.

### 40.13.6.2 SPI: Pulse Generation on SPCK

In Master Mode, there is an additional pulse generated on SPCK when the SPI is configured as follows:

- The Baudrate is odd and different from 1
- The Polarity is set to 1
- The Phase is set to 0

#### **Problem Fix/Workaround**

None.

### 40.13.6.3 SPI: Bad tx\_ready behavior when CSAAT=1 and SCBR = 1

If the SPI is programmed with CSAAT = 1, SCBR(baudrate) = 1 and two transfers are performed consecutively on the same slave with an IDLE state between them, the tx\_ready signal does not rise after the second data has been transferred in the shifter. This can imply for example, that the second data is sent twice.

#### **Problem Fix/Workaround**

Do not use the combination CSAAT=1 and SCBR =1.

### 40.13.6.4 SPI: LASTXFER (Last Transfer) behavior

In FIXED Mode, with CSAAT bit set, and in “PDC mode” the Chip Select can rise depending on the data written in the SPI\_TDR when the TX\_EMPTY flag is set. If for example, the PDC writes a “1” in the bit 24 (LASTXFER bit) of the SPI\_TDR, the chip select will rise as soon as the TXEMPTY flag is set.

#### **Problem Fix/Workaround**

Use the CS in PIO mode when PDC mode is required and CS has to be maintained between transfers.

### 40.13.6.5 SPI: SPCK Behavior in Master Mode

SPCK pin can toggle out before the first transfer in Master Mode.

#### **Problem Fix/Workaround**

In Master Mode, MSTR bit must be set (in SPI\_MR register) before configuring SPI\_CSRx registers.

### 40.13.6.6 SPI: Chip Select and Fixed Mode

In fixed Mode, if a transfer is performed through a PDC on a Chip select different from the Chip select 0, the output spi\_size sampled by the PDC will depend on the field, BITS (Bits per Transfer) of SPI\_CSR0 register, whatever the selected Chip select is. For example, if SPI\_CSR0 is configured for a 10-bit transfer whereas SPI\_CSR1 is configured for an 8-bit transfer, when a

transfer is performed in Fixed mode through the PDC, on Chip select 1, the transfer will be considered as a HalfWord transfer.

### **Problem Fix/Workaround**

If a PDC transfer has to be performed in 8 bits, on a Chip select  $y$  ( $y$  as different from 0), the BITS field of the SPI\_CSR0 must be configured in 8 bits, in the same way as the BITS field of the CSR $y$  Register.

#### **40.13.6.7 SPI: Baudrate Set to 1**

When Baudrate is set at 1 (i.e. when serial clock frequency equals the system clock frequency) and when the BITS field of the SPI\_CSR register (number of bits to be transmitted) equals an ODD value (in this case 9,11,13 or 15), an additional pulse will be generated on output SPCK.

Everything is OK if the BITS field equals 8,10,12,14 or 16 and Baudrate = 1.

### **Problem Fix/Workaround**

None.

#### **40.13.6.8 SPI: Disable In Slave Mode**

The SPI disable is not possible in slave mode.

### **Problem Fix/Workaround**

Read first the received data, then perform the software reset.

#### **40.13.6.9 SPI: Disable Issue**

The SPI Command "SPI Disable" is not possible during a transfer, it must be performed only after TX\_EMPTY rising else there is everlasting dummy transfers occur.

### **Problem Fix/Workaround**

None.

#### **40.13.6.10 SPI: Software Reset and SPIEN Bit**

The SPI Command "software reset" does not reset the SPIEN config bit. Therefore rewriting an SPI enable command does not set TX\_READY, TX\_EMPTY flags.

### **Problem Fix/Workaround**

Send SPI disable command after a software reset.

#### **40.13.6.11 SPI: CSAAT = 1 and Delay**

If CSAAT = 1 for current access and there is no more TX request for a time greater than DLYBCT + DLYBCS, then if an access is requested on another slave, the NPCS bus switches from one CS to the one requested without DLYBCS. External Slaves may reach a contention on SPI\_MISO line for a short period.

### **Problem Fix/Workaround**

Assert the Last Transfer Command (NPCS de-activation) for the last character of each slave.

#### **40.13.6.12 SPI: Bad Serial Clock Generation on 2nd Chip Select**

Bad Serial clock generation on the 2nd chip select when SCBR = 1, CPOL = 1 and NCPHA = 0.

This occurs using SPI with the following conditions:

- Master Mode
- CPOL = 1 and NCPHA = 0

- Multiple chip selects are used with one transfer with Baud rate (SCBR) equal to 1 (i.e., when serial clock frequency equals the system clock frequency) and the other transfers set with SCBR are not equal to 1
- Transmitting with the slowest chip select and then with the fastest one, then an additional pulse is generated on output SPCK during the second transfer.

**Problem Fix/Workaround**

Do not use a multiple Chip Select configuration where at least one SCRx register is configured with SCBR = 1 and the others differ from 1 if NCPHA = 0 and CPOL = 1.

If all chip selects are configured with Baudrate = 1, the issue does not appear.

## 40.13.7 Synchronous Serial Controller (SSC)

### 40.13.7.1 SSC: Periodic Transmission Limitations in Master Mode

If the Least Significant Bit is sent first (MSBF = 0), the first TAG during the frame synchro is not sent.

**Problem Fix/Workaround**

None.

### 40.13.7.2 SSC: Transmitter Limitations in Slave Mode

If TK is programmed as output and TF is programmed as input, it is impossible to emit data when the start of edge (rising or falling) of synchro has a Start Delay equal to zero.

**Problem Fix/Workaround**

None.

### 40.13.7.3 SSC: Transmitter Limitations in Slave Mode

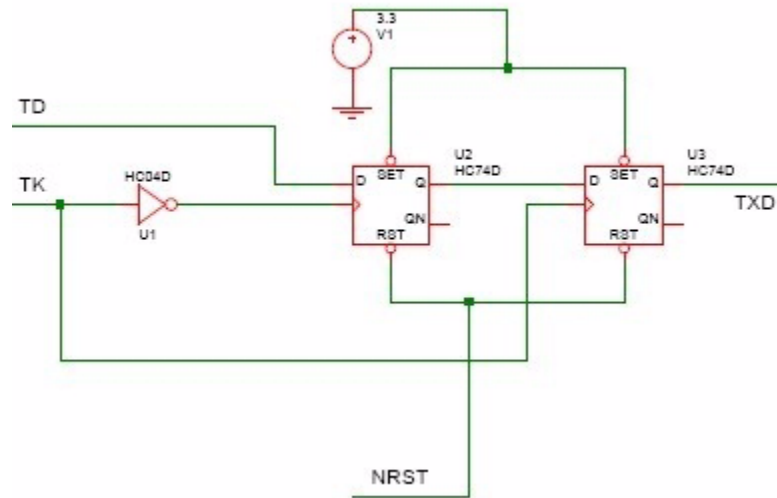
If TK is programmed as an input and TF is programmed as an output and requested to be set to low/high during data emission, the Frame Synchro signal is generated one bit clock period after the data start and one data bit is lost. This problem does not exist when generating a periodic synchro.

**Problem Fix/Workaround**

The data need to be delayed for one bit clock period with an external assembly.

In the following schematic, TD, TK and NRST are AT91SAM7S signals, TXD is the delayed data to connect to the device.





## 40.13.8 Two-wire Interface (TWI)

### 40.13.8.1 TWI: Clock Divider

The value of  $CLDIV \times 2^{CKDIV}$  must be less than or equal to 8191, the value of  $CHDIV \times 2^{CKDIV}$  must be less than or equal to 8191.

#### Problem Fix/Workaround

None.

### 40.13.8.2 TWI: Software Reset

When a software reset is performed during a frame and when TWCK is low, it is impossible to initiate a new transfer in READ or WRITE mode.

#### Problem Fix/Workaround

None.

### 40.13.8.3 TWI: Disabling Does not Operate Correctly

Any transfer in progress is immediately frozen if the Control Register (TWI\_CR) is written with the bit MSDIS at 1. Furthermore, the status bits TXCOMP and TXRDY in the Status Register (TWI\_SR) are not reset.

#### Problem Fix/Workaround

The user must wait for the end of transfer before disabling the TWI. In addition, the interrupts must be disabled before disabling the TWI.

### 40.13.8.4 TWI: NACK Status Bit Lost

During a master frame, if TWI\_SR is read between the Non Acknowledge condition detection and the TXCOMP bit rising in the TWI\_SR, the NACK bit is not set.

#### Problem Fix/Workaround

The user must wait for the TXCOMP status bit by interrupt and must not read the TWI\_SR as long as transmission is not completed.

TXCOMP and NACK fields are set simultaneously and the NACK field is reset after the read of the TWI\_SR.

**40.13.8.5** *TWI: Possible Receive Holding Register Corruption*

When loading the TWI\_RHR, the transfer direction is ignored. The last data byte received in the TWI\_RHR is corrupted at the end of the first subsequent transmit data byte. Neither RXRDY nor OVERRUN status bits are set if this occurs.

**Problem Fix/Workaround**

The user must be sure that received data is read before transmitting any new data.

**40.13.9 Universal Synchronous Asynchronous Receiver Transmitter (USART)**

**40.13.9.1** *USART: Hardware Handshake*

The Hardware Handshake does not work at speeds higher than 750 kbauds.

**Problem Fix/Workaround**

None.

**40.13.9.2** *USART: CTS in Hardware Handshaking*

When Hardware Handshaking is used and if CTS goes low near the end of the starting bit, a character can be lost.

**Problem Fix/Workaround**

CTS must not go low during a time slot occurring between 2 Master Clock periods before the starting bit and 16 Master Clock periods after the rising edge of the starting bit.

**40.13.9.3** *USART: Hardware Handshaking – Two Characters Sent*

If CTS switches from 0 to 1 during the TX of a character and if the holding register (US\_THR) is not empty, the content of US\_THR will also be transmitted.

**Problem Fix/Workaround**

Don't use the PDC in transmit mode and do not fill US\_THR before TXEMPTY is set at 1.

**40.13.9.4** *USART: XOFF Character Bad Behavior*

The XOFF character is sent only when the receive buffer is detected full. While the XOFF is being sent, the remote transmitter is still transmitting. As only one Holding register is available in the receiver, characters will be lost in reception. This makes the software handshaking functionality ineffective.

**Problem Fix/Workaround**

None.

**40.13.9.5** *USART: DCD is active High instead of Low*

The DCD signal is active at High level in the USART Modem Mode.

DCD should be active at Low level.

**Problem Fix/Workaround**

Add an inverter.

## 40.13.10 Voltage Regulator

### 40.13.10.1 Voltage Regulator: Current Consumption in Deep Mode

Current consumption in Deep Mode is maximum 60  $\mu$ A instead of 25  $\mu$ A.

Due to current rejection from VDDIN to VDDCORE, the current consumption in Deep Mode cannot be guaranteed. Instead, 60  $\mu$ A is guaranteed whatever the condition.

#### **Problem Fix/Workaround**

None.

### 40.13.10.2 Voltage Regulator: Load Versus Temperature

Maximum load is 50 mA at 85 °C (instead of 100 mA).

Maximum load is 100 mA at 70°C.

#### **Problem Fix/Workaround**

None.

## 40.14 AT91SAM7S321 Errata - Revision A Parts

Refer to [Section 40.1 “Marking” on page 591](#).

Note: AT91SAM7S321 Revision A chip ID is: 0x2708 0342.

### 40.14.1 Analog-to-Digital Converter (ADC)

#### 40.14.1.1 ADC: DRDY Bit Cleared

The DRDY Flag should be clear only after a read of ADC\_LCDR (Last Converted Data Register). A read of any ADC\_CDRx register (Channel Data Register) automatically clears the DRDY flag.

**Problem Fix/Workaround:**

None

#### 40.14.1.2 ADC: DRDY not Cleared on Disable

When reading LCDR at the same instant as an end of conversion, with DRDY already active, DRDY is kept active regardless of the enable status of the current channel. This sets DRDY, whereas new data is not stored.

**Problem Fix/Workaround**

None

#### 40.14.1.3 ADC: DRDY Possibly Skipped due to CDR Read

Reading CDR for channel “y” at the same instant as an end of conversion on channel “x” with EOC[x] already active, leads to skipping to set the DRDY flag if channel “x” is enabled.

**Problem Fix/Workaround**

Use of DRDY functionality with access to CDR registers should be avoided.

#### 40.14.1.4 ADC: Possible Skip on DRDY when Disabling a Channel

DRDY does not rise when disabling channel “y” at the same time as an end of “x” channel conversion, although data is stored into CDRx and LCDR.

**Problem Fix/Workaround**

None.

#### 40.14.1.5 ADC: GOVRE Bit is not Updated

Read of the Status Register at the same instant as an end of conversion leads to skipping the update of the GOVRE (general overrun) flag. GOVRE is neither reset nor set.

For example, if reading the status while an end of conversion is occurring and:

1. GOVRE is active but DRDY is inactive, does not correspond to a new general overrun condition but the GOVRE flag is not reset.
2. GOVRE is inactive but DRDY is active, does correspond to a new general overrun condition but the GOVRE flag is not set.

**Problem Fix/Workaround**

None

#### 40.14.1.6 ADC: GOVRE Bit is not Set when Reading CDR

When reading CDRy (Channel Data Register y) at the same instant as an end of conversion on channel “x” with the following conditions:

- EOC[x] already active,
  - DRDY already active,
  - GOVRE inactive,
  - previous data stored in LCDR being neither data from channel “y”, nor data from channel “x”.
- GOVRE should be set but is not.

**Problem Fix/Workaround**

None

**40.14.1.7** *ADC: GOVRE Bit is not Set when Disabling a Channel*

When disabling channel “y” at the same instant as an end of conversion on channel “x”, EOC[x] and DRDY being already active, GOVRE does not rise.

Note: OVRE[x] rises as expected.

**Problem Fix/Workaround**

None

**40.14.1.8** *ADC: OVRE Flag Behavior*

When the OVRE flag (on channel i) has been set but the related EOC status (of channel i) has been cleared (by a read of CDRi or LCDR), reading the Status register at the same instant as an end of conversion (causing the set of EOC status on channel i), does not lead to a reset of the OVRE flag (on channel i) as expected.

**Problem Fix/Workaround:**

None

**40.14.1.9** *ADC: EOC Set although Channel Disabled*

If a channel is disabled while a conversion is running and if a read of CDR is performed at the same time as an end of conversion of any channel occurs, the EOC of the channel with the conversion running may rise (whereas it has been disabled).

**Problem Fix/Workaround**

Do not take into account the EOC of a disabled channel

**40.14.1.10** *ADC: Spurious Clear of EOC Flag*

If “x” and “y” are two successively converted channels and “z” is yet another enabled channel (“z” being neither “x” nor “y”), reading CDR on channel “z” at the same instant as an end of conversion on channel “y” automatically clears EOC[x] instead of EOC[z].

**Problem Fix/Workaround**

None.

**40.14.1.11** *ADC: Sleep Mode*

If Sleep mode is activated while there is no activity (no conversion is being performed), it will take effect only after a conversion occurs.

**Problem Fix/Workaround**

To activate sleep mode as soon as possible, it is recommended to write successively, ADC Mode Register (SLEEP) then ADC Control Register (START bit field); to start an analog-to-digital conversion, in order put ADC into sleep mode at the end of this conversion.

## 40.14.2 Parallel Input/Output Controller (PIO)

### 40.14.2.1 PIO: Electrical Characteristics on NRST and PA0-PA16 and PA21-31

When NRST or PA0-PA16 or PA21-PA31 are set as digital inputs with pull-up enabled, the voltage of the I/O stabilizes at VPull-up.

#### VPull-up

| VPull-up Min   | VPull-up Max   |
|----------------|----------------|
| VDDIO - 0.65 V | VDDIO - 0.45 V |

This condition causes a leakage through VDDIO. This leakage is 45  $\mu$ A per pad in worst case at 3.3 V and 25  $\mu$ A at 1.8V.

#### I Leakage

| Parameter         | Typ         | Max        |
|-------------------|-------------|------------|
| I Leakage at 3,3V | 2.5 $\mu$ A | 45 $\mu$ A |
| I Leakage at 1.8V | 1 $\mu$ A   | 25 $\mu$ A |

#### Problem Fix/Workaround

It is recommended to use an external pull-up if needed.

### 40.14.2.2 PIO: Drive Low NRST, PA0-PA16 and PA21-PA31

When NRST or PA0-PA16 and or PA21-PA31 are set as digital inputs with pull-up enabled, driving the I/O with an output impedance higher than 500 ohms may not drive the I/O to a logical zero.

#### Problem Fix/Workaround

Output impedance must be lower than 500 ohms.

## 40.14.3 Pulse Width Modulation Controller (PWM)

### 40.14.3.1 PWM: Update when PWM\_CCNTx = 0 or 1

If the Channel Counter Register value is 0 or 1, the Channel Period Register or Channel Duty Cycle Register is directly modified when writing the Channel Update Register.

#### Problem Fix/Workaround

Check the Channel Counter Register before writing the update register.

### 40.14.3.2 PWM: Update when PWM\_CPRDx = 0

When Channel Period Register equals 0, the period update is not operational.

#### Problem Fix/Workaround

Do not write 0 in the period register.

### 40.14.3.3 PWM: Counter Start Value

In left aligned mode, the first start value of the counter is 0. For the other periods, the counter starts at 1.

#### Problem Fix/Workaround

None.

#### 40.14.3.4 PWM: Constraints on Duty Cycle Value

Setting Channel Duty Cycle Register (PWM\_CDTYx) at 0 in center aligned mode or at 0 or 1 in left aligned mode may change the polarity of the signal.

##### **Problem Fix/Workaround**

Do not set PWM\_CDTYx at 0 in center aligned mode.

Do not set PWM\_CDTYx at 0 or 1 in left aligned mode.

#### 40.14.3.5 PWM: Behavior of CHIDx Status Bits in the PWM\_SR Register

Erratic behavior of the CHIDx status bit in the PWM\_SR Register. When a channel is disabled by writing in the PWM\_DIS Register just after enabling it (before completion of a Clock Period of the clock selected for the channel), the PWM line is internally disabled but the CHIDx status bit in the PWM\_SR stays at 1.

##### **Problem Fix/Workaround**

Do not disable a channel before completion of one period of the selected clock.

### 40.14.4 Real Time Timer (RTT)

#### 40.14.4.1 RTT: Possible Event Loss when Reading RTT\_SR

If an event (RTTINC or ALMS) occurs within the same slow clock cycle during which the RTT\_SR is read, the corresponding bit might be cleared. This can lead to the loss of this event.

##### **Problem Fix/Workaround:**

The software must handle the RTT event as an interrupt and should not poll RTT\_SR.

### 40.14.5 Serial Peripheral Interface (SPI)

#### 40.14.5.1 SPI: Software Reset Must be Written Twice

If a software reset (SWRST in the SPI Control Register) is performed, the SPI may not work properly (the clock is enabled before the chip select).

##### **Problem Fix/Workaround**

The SPI Control Register field, SWRST needs to be written twice to be set correctly.

#### 40.14.5.2 SPI: Pulse Generation on SPCK

In Master Mode, there is an additional pulse generated on SPCK when the SPI is configured as follows:

- The Baudrate is odd and different from 1
- The Polarity is set to 1
- The Phase is set to 0

##### **Problem Fix/Workaround**

None.

#### 40.14.5.3 SPI: Bad tx\_ready behavior when CSAAT=1 and SCBR = 1

If the SPI is programmed with CSAAT = 1, SCBR(baudrate) = 1 and two transfers are performed consecutively on the same slave with an IDLE state between them, the tx\_ready signal does not rise after the second data has been transferred in the shifter. This can imply for example, that the second data is sent twice.

##### **Problem Fix/Workaround**

Do not use the combination CSAAT=1 and SCBR =1.

#### 40.14.5.4 *SPI: LASTXFER (Last Transfer) behavior*

In FIXED Mode, with CSAAT bit set, and in “PDC mode” the Chip Select can rise depending on the data written in the SPI\_TDR when the TX\_EMPTY flag is set. If for example, the PDC writes a “1” in the bit 24 (LASTXFER bit) of the SPI\_TDR, the chip select will rise as soon as the TXEMPTY flag is set.

##### **Problem Fix/Workaround**

Use the CS in PIO mode when PDC mode is required and CS has to be maintained between transfers.

#### 40.14.5.5 *SPI: SPCK Behavior in Master Mode*

SPCK pin can toggle out before the first transfer in Master Mode.

##### **Problem Fix/Workaround**

In Master Mode, MSTR bit must be set (in SPI\_MR register) before configuring SPI\_CSRx registers.

#### 40.14.5.6 *SPI: Chip Select and Fixed Mode*

In fixed Mode, if a transfer is performed through a PDC on a Chip select different from the Chip select 0, the output spi\_size sampled by the PDC will depend on the field, BITS (Bits per Transfer) of SPI\_CSR0 register, whatever the selected Chip select is. For example, if SPI\_CSR0 is configured for a 10-bit transfer whereas SPI\_CSR1 is configured for an 8-bit transfer, when a transfer is performed in Fixed mode through the PDC, on Chip select 1, the transfer will be considered as a HalfWord transfer.

##### **Problem Fix/Workaround**

If a PDC transfer has to be performed in 8 bits, on a Chip select y (y as different from 0), the BITS field of the SPI\_CSR0 must be configured in 8 bits, in the same way as the BITS field of the CSRy Register.

#### 40.14.5.7 *SPI: Baudrate Set to 1*

When Baudrate is set at 1 (i.e. when serial clock frequency equals the system clock frequency) and when the BITS field of the SPI\_CSR register (number of bits to be transmitted) equals an ODD value (in this case 9,11,13 or 15), an additional pulse will be generated on output SPCK.

Everything is OK if the BITS field equals 8,10,12,14 or 16 and Baudrate = 1.

##### **Problem Fix/Workaround**

None.

#### 40.14.5.8 *SPI: Disable In Slave Mode*

The SPI disable is not possible in slave mode.

##### **Problem Fix/Workaround**

Read first the received data, then perform the software reset.

#### 40.14.5.9 *SPI: Bad Serial Clock Generation on 2nd Chip Select*

Bad Serial clock generation on the 2nd chip select when SCBR = 1, CPOL = 1 and NCPHA = 0.

This occurs using SPI with the following conditions:

- Master Mode



- CPOL = 1 and NCPHA = 0
- Multiple chip selects are used with one transfer with Baud rate (SCBR) equal to 1 (i.e., when serial clock frequency equals the system clock frequency) and the other transfers set with SCBR are not equal to 1
- Transmitting with the slowest chip select and then with the fastest one, then an additional pulse is generated on output SPCK during the second transfer.

#### **Problem Fix/Workaround**

Do not use a multiple Chip Select configuration where at least one SCRx register is configured with SCBR = 1 and the others differ from 1 if NCPHA = 0 and CPOL = 1.

If all chip selects are configured with Baudrate = 1, the issue does not appear.

## **40.14.6 Synchronous Serial Controller (SSC)**

### *40.14.6.1 SSC: Periodic Transmission Limitations in Master Mode*

If the Least Significant Bit is sent first (MSBF = 0), the first TAG during the frame synchro is not sent.

#### **Problem Fix/Workaround**

None.

### *40.14.6.2 SSC: Transmitter Limitations in Slave Mode*

If TK is programmed as output and TF is programmed as input, it is impossible to emit data when the start of edge (rising or falling) of synchro has a Start Delay equal to zero.

#### **Problem Fix/Workaround**

None.

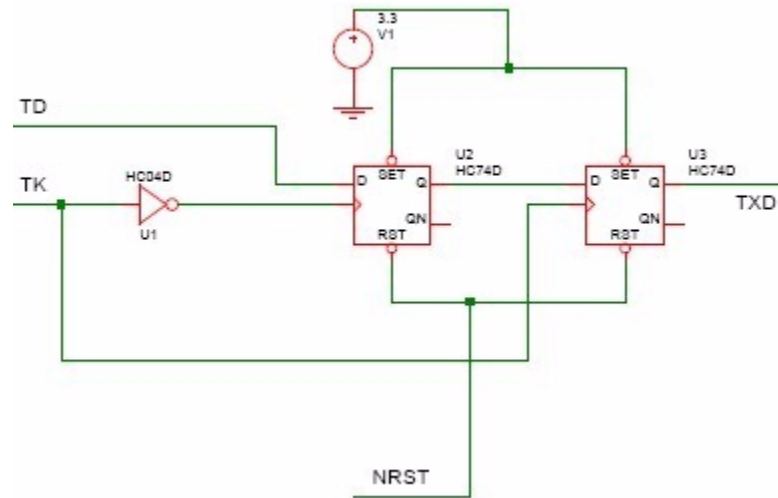
### *40.14.6.3 SSC: Transmitter Limitations in Slave Mode*

If TK is programmed as an input and TF is programmed as an output and requested to be set to low/high during data emission, the Frame Synchro signal is generated one bit clock period after the data start and one data bit is lost. This problem does not exist when generating a periodic synchro.

#### **Problem Fix/Workaround**

The data need to be delayed for one bit clock period with an external assembly.

In the following schematic, TD, TK and NRST are AT91SAM7S signals, TXD is the delayed data to connect to the device.



## 40.14.7 Two-wire Interface (TWI)

### 40.14.7.1 TWI: Clock Divider

The value of  $CLDIV \times 2^{CKDIV}$  must be less than or equal to 8191, the value of  $CHDIV \times 2^{CKDIV}$  must be less than or equal to 8191.

#### Problem Fix/Workaround

None.

### 40.14.7.2 TWI: Software Reset

When a software reset is performed during a frame and when TWCK is low, it is impossible to initiate a new transfer in READ or WRITE mode.

#### Problem Fix/Workaround

None.

### 40.14.7.3 TWI: Disabling Does not Operate Correctly

Any transfer in progress is immediately frozen if the Control Register (TWI\_CR) is written with the bit MSDIS at 1. Furthermore, the status bits TXCOMP and TXRDY in the Status Register (TWI\_SR) are not reset.

#### Problem Fix/Workaround

The user must wait for the end of transfer before disabling the TWI. In addition, the interrupts must be disabled before disabling the TWI.

### 40.14.7.4 TWI: NACK Status Bit Lost

During a master frame, if TWI\_SR is read between the Non Acknowledge condition detection and the TXCOMP bit rising in the TWI\_SR, the NACK bit is not set.

#### Problem Fix/Workaround

The user must wait for the TXCOMP status bit by interrupt and must not read the TWI\_SR as long as transmission is not completed.

TXCOMP and NACK fields are set simultaneously and the NACK field is reset after the read of the TWI\_SR.

#### 40.14.7.5 *TWI: Possible Receive Holding Register Corruption*

When loading the TWI\_RHR, the transfer direction is ignored. The last data byte received in the TWI\_RHR is corrupted at the end of the first subsequent transmit data byte. Neither RXRDY nor OVERRUN status bits are set if this occurs.

##### **Problem Fix/Workaround**

The user must be sure that received data is read before transmitting any new data.

### 40.14.8 Universal Synchronous Asynchronous Receiver Transmitter (USART)

#### 40.14.8.1 *USART: Hardware Handshake*

The Hardware Handshake does not work at speeds higher than 750 kbauds.

##### **Problem Fix/Workaround**

None.

#### 40.14.8.2 *USART: CTS in Hardware Handshaking*

When Hardware Handshaking is used and if CTS goes low near the end of the starting bit, a character can be lost.

##### **Problem Fix/Workaround**

CTS must not go low during a time slot occurring between 2 Master Clock periods before the starting bit and 16 Master Clock periods after the rising edge of the starting bit.

#### 40.14.8.3 *USART: Hardware Handshaking – Two Characters Sent*

If CTS switches from 0 to 1 during the TX of a character and if the holding register (US\_THR) is not empty, the content of US\_THR will also be transmitted.

##### **Problem Fix/Workaround**

Don't use the PDC in transmit mode and do not fill US\_THR before TXEMPTY is set at 1.

#### 40.14.8.4 *USART: XOFF Character Bad Behavior*

The XOFF character is sent only when the receive buffer is detected full. While the XOFF is being sent, the remote transmitter is still transmitting. As only one Holding register is available in the receiver, characters will be lost in reception. This makes the software handshaking functionality ineffective.

##### **Problem Fix/Workaround**

None.

#### 40.14.8.5 *USART: DCD is active High instead of Low*

The DCD signal is active at High level in the USART Modem Mode.

DCD should be active at Low level.

##### **Problem Fix/Workaround**

Add an inverter.

## 40.15 AT91SAM7S32 Errata - Manufacturing Number 58814G

Refer to [Section 40.1 “Marking” on page 591](#).

### 40.15.1 Analog-to-Digital Converter (ADC)

#### 40.15.1.1 ADC: DRDY Bit Cleared

The DRDY Flag should be clear only after a read of ADC\_LCDR (Last Converted Data Register). A read of any ADC\_CDRx register (Channel Data Register) automatically clears the DRDY flag.

**Problem Fix/Workaround:**

None

#### 40.15.1.2 ADC: DRDY not Cleared on Disable

When reading LCDR at the same instant as an end of conversion, with DRDY already active, DRDY is kept active regardless of the enable status of the current channel. This sets DRDY, whereas new data is not stored.

**Problem Fix/Workaround**

None

#### 40.15.1.3 ADC: DRDY Possibly Skipped due to CDR Read

Reading CDR for channel “y” at the same instant as an end of conversion on channel “x” with EOC[x] already active, leads to skipping to set the DRDY flag if channel “x” is enabled.

**Problem Fix/Workaround**

Use of DRDY functionality with access to CDR registers should be avoided.

#### 40.15.1.4 ADC: Possible Skip on DRDY when Disabling a Channel

DRDY does not rise when disabling channel “y” at the same time as an end of “x” channel conversion, although data is stored into CDRx and LCDR.

**Problem Fix/Workaround**

None.

#### 40.15.1.5 ADC: GOVRE Bit is not Updated

Read of the Status Register at the same instant as an end of conversion leads to skipping the update of the GOVRE (general overrun) flag. GOVRE is neither reset nor set.

For example, if reading the status while an end of conversion is occurring and:

1. GOVRE is active but DRDY is inactive, does not correspond to a new general overrun condition but the GOVRE flag is not reset.
2. GOVRE is inactive but DRDY is active, does correspond to a new general overrun condition but the GOVRE flag is not set.

**Problem Fix/Workaround**

None

#### 40.15.1.6 ADC: GOVRE Bit is not Set when Reading CDR

When reading CDRy (Channel Data Register y) at the same instant as an end of conversion on channel “x” with the following conditions:

- EOC[x] already active,

- DRDY already active,
- GOVRE inactive,
- previous data stored in LCCR being neither data from channel “y”, nor data from channel “x”.

GOVRE should be set but is not.

#### **Problem Fix/Workaround**

None

#### **40.15.1.7 ADC: GOVRE Bit is not Set when Disabling a Channel**

When disabling channel “y” at the same instant as an end of conversion on channel “x”, EOC[x] and DRDY being already active, GOVRE does not rise.

Note: OVRE[x] rises as expected.

#### **Problem Fix/Workaround**

None

#### **40.15.1.8 ADC: OVRE Flag Behavior**

When the OVRE flag (on channel i) has been set but the related EOC status (of channel i) has been cleared (by a read of CDRi or LCCR), reading the Status register at the same instant as an end of conversion (causing the set of EOC status on channel i), does not lead to a reset of the OVRE flag (on channel i) as expected.

#### **Problem Fix/Workaround:**

None

#### **40.15.1.9 ADC: EOC Set although Channel Disabled**

If a channel is disabled while a conversion is running and if a read of CDR is performed at the same time as an end of conversion of any channel occurs, the EOC of the channel with the conversion running may rise (whereas it has been disabled).

#### **Problem Fix/Workaround**

Do not take into account the EOC of a disabled channel

#### **40.15.1.10 ADC: Spurious Clear of EOC Flag**

If “x” and “y” are two successively converted channels and “z” is yet another enabled channel (“z” being neither “x” nor “y”), reading CDR on channel “z” at the same instant as an end of conversion on channel “y” automatically clears EOC[x] instead of EOC[z].

#### **Problem Fix/Workaround**

None.

#### **40.15.1.11 ADC: Sleep Mode**

If Sleep mode is activated while there is no activity (no conversion is being performed), it will take effect only after a conversion occurs.

#### **Problem Fix/Workaround**

To activate sleep mode as soon as possible, it is recommended to write successively, ADC Mode Register (SLEEP) then ADC Control Register (START bit field); to start an analog-to-digital conversion, in order put ADC into sleep mode at the end of this conversion.

## 40.15.2 JTAG

### 40.15.2.1 JTAG: Recommendation for TDI Pin

TDI pin shows a weakness which does not effect the operation of the device. If this pin is driven over 2.0V or exposed to high electrostatic voltages, the pad might be partially destroyed and this can lead to additional continuous leakage on VDDCORE between 100 and 500  $\mu$ A.

However, this does not prevent JTAG operations.

#### **Problem Fix/Workaround**

The JTAG port remains operational even if the failure on TDI has happened. Therefore the users can develop their applications in normal conditions, except the overall system power consumption might be higher. It is recommended to handle the devices carefully during PCB soldering and to correctly ground the manufacturing equipment.

To prevent any failure on the final customer's systems, it is also recommended to tie the TDI pin at GND in the system production release and to not pull it up, as it is shown on the AT91SAM7S-EK Evaluation Board schematics.

## 40.15.3 Master Clock (MCK)

### 40.15.3.1 MCK: Limited Master Clock Frequency Ranges

If the Flash is operating without wait states, the frequency of the Master Clock MCK must be lower than 3 MHz or higher than 19 MHz.

If the Flash is operating with one wait state, the frequency of the Master Clock MCK must be lower than 3 MHz or higher than 19 MHz.

If the Flash is operating with two wait states, the frequency of the Master Clock MCK must be lower than 3 MHz or higher than 25 MHz.

If the Flash is operating with three wait states, the frequency of the Master Clock MCK must be lower than 3 MHz or higher than 38 MHz.

If these constraints are not respected, the correct operation of the system cannot be guaranteed and either data or prefetch abort might occur.

The maximum operating frequencies (at 30 MHz @ 0 Wait States and 55 MHz @ 1 Wait State) as stated in [Table 37-24, "Embedded Flash Wait States," on page 578](#), are still applicable.

Note: It is not necessary to use 2 or 3 wait states because the Flash can operate at maximum frequency with only 1 wait state.

#### **Problem Fix/Workaround**

The user must ensure that the device is running at the authorized frequency by programming the PLL properly to not run within the forbidden frequency range.

## 40.15.4 Non Volatile Memory Bits (NVM Bits)

### 40.15.4.1 NVM Bits: Write/Erase Cycles Number

The maximum number of write/erase cycles for Non Volatile Memory bits is 100. This includes Lock Bits (LOCKx), General Purpose NVM bits (GPNVMx) and the Security Bit.

This maximum number of write/erase cycles is not applicable to 32 KB Flash memory, it remains at 10K for the Flash memory.

#### **Problem Fix/Workaround**

None.

## 40.15.5 Parallel Input/Output Controller (PIO)

### 40.15.5.1 PIO: Leakage on PA17 - PA20

When PA17, PA18, PA19 or PA20 (the I/O lines multiplexed with the analog inputs) are set as digital inputs with pull-up disabled, the leakage can be 9  $\mu\text{A}$  in worst case and 90 nA in typical case per I/O when the I/O is set externally at low level.

#### Problem Fix/Workaround

Set the I/O to VDDIO by internal or external pull-up.

### 40.15.5.2 PIO: Electrical Characteristics on NRST and PA0-PA16 and PA21-31

When NRST or PA0-PA16 or PA21-PA31 are set as digital inputs with pull-up enabled, the voltage of the I/O stabilizes at VPull-up.

#### Vpull-up

| VPull-up Min   | VPull-up Max   |
|----------------|----------------|
| VDDIO - 0.65 V | VDDIO - 0.45 V |

This condition causes a leakage through VDDIO. This leakage is 45  $\mu\text{A}$  per pad in worst case at 3.3 V and 25  $\mu\text{A}$  at 1.8V.

#### I Leakage

| Parameter         | Typ               | Max              |
|-------------------|-------------------|------------------|
| I Leakage at 3,3V | 2.5 $\mu\text{A}$ | 45 $\mu\text{A}$ |
| I Leakage at 1.8V | 1 $\mu\text{A}$   | 25 $\mu\text{A}$ |

#### Problem Fix/Workaround

It is recommended to use an external pull-up if needed.

### 40.15.5.3 PIO: Drive Low NRST, PA0-PA16 and PA21-PA31

When NRST or PA0-PA16 and or PA21-PA31 are set as digital inputs with pull-up enabled, driving the I/O with an output impedance higher than 500 ohms may not drive the I/O to a logical zero.

#### Problem Fix/Workaround

Output impedance must be lower than 500 ohms.

## 40.15.6 Pulse Width Modulation Controller (PWM)

### 40.15.6.1 PWM: Update when PWM\_CCNTx = 0 or 1

If the Channel Counter Register value is 0 or 1, the Channel Period Register or Channel Duty Cycle Register is directly modified when writing the Channel Update Register.

#### Problem Fix/Workaround

Check the Channel Counter Register before writing the update register.

### 40.15.6.2 PWM: Update when PWM\_CPRDx = 0

When Channel Period Register equals 0, the period update is not operational.

### **Problem Fix/Workaround**

Do not write 0 in the period register.

#### **40.15.6.3 PWM: Counter Start Value**

In left aligned mode, the first start value of the counter is 0. For the other periods, the counter starts at 1.

### **Problem Fix/Workaround**

None.

#### **40.15.6.4 PWM: Constraints on Duty Cycle Value**

Setting Channel Duty Cycle Register (PWM\_CDTYx) at 0 in center aligned mode or at 0 or 1 in left aligned mode may change the polarity of the signal.

### **Problem Fix/Workaround**

Do not set PWM\_CDTYx at 0 in center aligned mode.

Do not set PWM\_CDTYx at 0 or 1 in left aligned mode.

#### **40.15.6.5 PWM: Behavior of CHIDx Status Bits in the PWM\_SR Register**

Erratic behavior of the CHIDx status bit in the PWM\_SR Register. When a channel is disabled by writing in the PWM\_DIS Register just after enabling it (before completion of a Clock Period of the clock selected for the channel), the PWM line is internally disabled but the CHIDx status bit in the PWM\_SR stays at 1.

### **Problem Fix/Workaround**

Do not disable a channel before completion of one period of the selected clock.

## **40.15.7 Serial Peripheral Interface (SPI)**

#### **40.15.7.1 SPI: Pulse Generation on SPCK**

In Master Mode, there is an additional pulse generated on SPCK when the SPI is configured as follows:

- The Baudrate is odd and different from 1
- The Polarity is set to 1
- The Phase is set to 0

### **Problem Fix/Workaround**

None.

#### **40.15.7.2 SPI: Bad tx\_ready behavior when CSAAT=1 and SCBR = 1**

If the SPI is programmed with CSAAT = 1, SCBR(baudrate) = 1 and two transfers are performed consecutively on the same slave with an IDLE state between them, the tx\_ready signal does not rise after the second data has been transferred in the shifter. This can imply for example, that the second data is sent twice.

### **Problem Fix/Workaround**

Do not use the combination CSAAT=1 and SCBR =1.

#### **40.15.7.3 SPI: LASTXFER (Last Transfer) behavior**

In FIXED Mode, with CSAAT bit set, and in “PDC mode” the Chip Select can rise depending on the data written in the SPI\_TDR when the TX\_EMPTY flag is set. If for example, the PDC writes



a “1” in the bit 24 (LASTXFER bit) of the SPI\_TDR, the chip select will rise as soon as the TXEMPTY flag is set.

### **Problem Fix/Workaround**

Use the CS in PIO mode when PDC mode is required and CS has to be maintained between transfers.

#### **40.15.7.4 SPI: SPCK Behavior in Master Mode**

SPCK pin can toggle out before the first transfer in Master Mode.

### **Problem Fix/Workaround**

In Master Mode, MSTR bit must be set (in SPI\_MR register) before configuring SPI\_CSRx registers.

#### **40.15.7.5 SPI: Chip Select and Fixed Mode**

In fixed Mode, if a transfer is performed through a PDC on a Chip select different from the Chip select 0, the output spi\_size sampled by the PDC will depend on the field, BITS (Bits per Transfer) of SPI\_CSR0 register, whatever the selected Chip select is. For example, if SPI\_CSR0 is configured for a 10-bit transfer whereas SPI\_CSR1 is configured for an 8-bit transfer, when a transfer is performed in Fixed mode through the PDC, on Chip select 1, the transfer will be considered as a HalfWord transfer.

### **Problem Fix/Workaround**

If a PDC transfer has to be performed in 8 bits, on a Chip select y (y as different from 0), the BITS field of the SPI\_CSR0 must be configured in 8 bits, in the same way as the BITS field of the CSRy Register.

#### **40.15.7.6 SPI: Baudrate Set to 1**

When Baudrate is set at 1 (i.e. when serial clock frequency equals the system clock frequency) and when the BITS field of the SPI\_CSR register (number of bits to be transmitted) equals an ODD value (in this case 9,11,13 or 15), an additional pulse will be generated on output SPCK.

Everything is OK if the BITS field equals 8,10,12,14 or 16 and Baudrate = 1.

### **Problem Fix/Workaround**

None.

#### **40.15.7.7 SPI: Disable In Slave Mode**

The SPI disable is not possible in slave mode.

### **Problem Fix/Workaround**

Read first the received data, then perform the software reset.

#### **40.15.7.8 SPI: Disable Issue**

The SPI Command “SPI Disable” is not possible during a transfer, it must be performed only after TX\_EMPTY rising else there is everlasting dummy transfers occur.

### **Problem Fix/Workaround**

None.

#### **40.15.7.9 SPI: Software Reset and SPIEN Bit**

The SPI Command “software reset” does not reset the SPIEN config bit. Therefore rewriting an SPI enable command does not set TX\_READY, TX\_EMPTY flags.

### **Problem Fix/Workaround**

Send SPI disable command after a software reset.

#### **40.15.7.10 SPI: CSAAT = 1 and Delay**

If CSAAT = 1 for current access and there is no more TX request for a time greater than DLYBCT + DLYBCS, then if an access is requested on another slave, the NPCS bus switches from one CS to the one requested without DLYBCS. External Slaves may reach a contention on SPI\_MISO line for a short period.

### **Problem Fix/Workaround**

Assert the Last Transfer Command (NPCS de-activation) for the last character of each slave.

#### **40.15.7.11 SPI: Bad Serial Clock Generation on 2nd Chip Select**

Bad Serial clock generation on the 2nd chip select when SCBR = 1, CPOL = 1 and NCPHA = 0.

This occurs using SPI with the following conditions:

- Master Mode
- CPOL = 1 and NCPHA = 0
- Multiple chip selects are used with one transfer with Baud rate (SCBR) equal to 1 (i.e., when serial clock frequency equals the system clock frequency) and the other transfers set with SCBR are not equal to 1
- Transmitting with the slowest chip select and then with the fastest one, then an additional pulse is generated on output SPCK during the second transfer.

### **Problem Fix/Workaround**

Do not use a multiple Chip Select configuration where at least one SCRx register is configured with SCBR = 1 and the others differ from 1 if NCPHA = 0 and CPOL = 1.

If all chip selects are configured with Baudrate = 1, the issue does not appear.

## **40.15.8 Synchronous Serial Controller (SSC)**

#### **40.15.8.1 SSC: Periodic Transmission Limitations in Master Mode**

If the Least Significant Bit is sent first (MSBF = 0), the first TAG during the frame synchro is not sent.

### **Problem Fix/Workaround**

None.

#### **40.15.8.2 SSC: Transmitter Limitations in Slave Mode**

If TK is programmed as output and TF is programmed as input, it is impossible to emit data when the start of edge (rising or falling) of synchro has a Start Delay equal to zero.

### **Problem Fix/Workaround**

None.

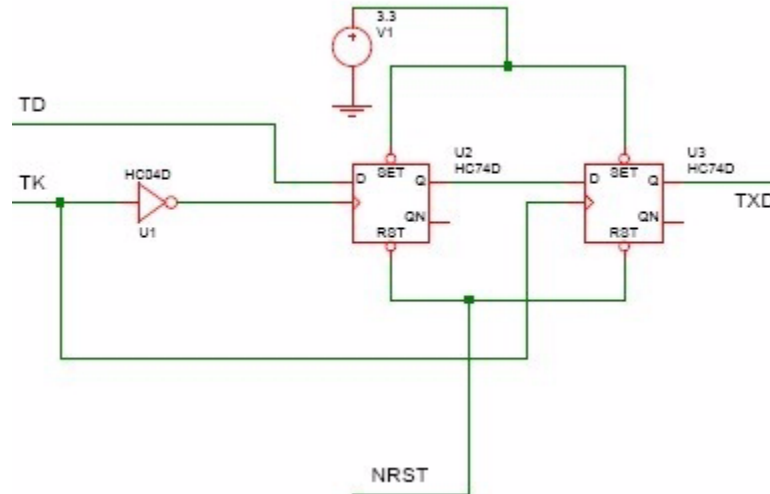
#### **40.15.8.3 SSC: Transmitter Limitations in Slave Mode**

If TK is programmed as an input and TF is programmed as an output and requested to be set to low/high during data emission, the Frame Synchro signal is generated one bit clock period after the data start and one data bit is lost. This problem does not exist when generating a periodic synchro.

## Problem Fix/Workaround

The data need to be delayed for one bit clock period with an external assembly.

In the following schematic, TD, TK and NRST are AT91SAM7S signals, TXD is the delayed data to connect to the device.



## 40.15.9 Two-wire Interface (TWI)

### 40.15.9.1 TWI: Clock Divider

The value of  $CLDIV \times 2^{CKDIV}$  must be less than or equal to 8191, the value of  $CHDIV \times 2^{CKDIV}$  must be less than or equal to 8191.

#### Problem Fix/Workaround

None.

### 40.15.9.2 TWI: Software Reset

When a software reset is performed during a frame and when TWCK is low, it is impossible to initiate a new transfer in READ or WRITE mode.

#### Problem Fix/Workaround

None.

### 40.15.9.3 TWI: Disabling Does not Operate Correctly

Any transfer in progress is immediately frozen if the Control Register (TWI\_CR) is written with the bit MSDIS at 1. Furthermore, the status bits TXCOMP and TXRDY in the Status Register (TWI\_SR) are not reset.

#### Problem Fix/Workaround

The user must wait for the end of transfer before disabling the TWI. In addition, the interrupts must be disabled before disabling the TWI.

### 40.15.9.4 TWI: NACK Status Bit Lost

During a master frame, if TWI\_SR is read between the Non Acknowledge condition detection and the TXCOMP bit rising in the TWI\_SR, the NACK bit is not set.

#### **Problem Fix/Workaround**

The user must wait for the TXCOMP status bit by interrupt and must not read the TWI\_SR as long as transmission is not completed.

TXCOMP and NACK fields are set simultaneously and the NACK field is reset after the read of the TWI\_SR.

#### **40.15.9.5 TWI: Possible Receive Holding Register Corruption**

When loading the TWI\_RHR, the transfer direction is ignored. The last data byte received in the TWI\_RHR is corrupted at the end of the first subsequent transmit data byte. Neither RXRDY nor OVERRUN status bits are set if this occurs.

#### **Problem Fix/Workaround**

The user must be sure that received data is read before transmitting any new data.

### **40.15.10 Universal Synchronous Asynchronous Receiver Transmitter (USART)**

#### **40.15.10.1 USART: Hardware Handshake**

The Hardware Handshake does not work at speeds higher than 750 kbauds.

#### **Problem Fix/Workaround**

None.

#### **40.15.10.2 USART: CTS in Hardware Handshaking**

When Hardware Handshaking is used and if CTS goes low near the end of the starting bit, a character can be lost.

#### **Problem Fix/Workaround**

CTS must not go low during a time slot occurring between 2 Master Clock periods before the starting bit and 16 Master Clock periods after the rising edge of the starting bit.

#### **40.15.10.3 USART: Hardware Handshaking – Two Characters Sent**

If CTS switches from 0 to 1 during the TX of a character and if the holding register (US\_THR) is not empty, the content of US\_THR will also be transmitted.

#### **Problem Fix/Workaround**

Don't use the PDC in transmit mode and do not fill US\_THR before TXEMPTY is set at 1.

#### **40.15.10.4 USART: XOFF Character Bad Behavior**

The XOFF character is sent only when the receive buffer is detected full. While the XOFF is being sent, the remote transmitter is still transmitting. As only one Holding register is available in the receiver, characters will be lost in reception. This makes the software handshaking functionality ineffective.

#### **Problem Fix/Workaround**

None.

#### **40.15.10.5 USART: DCD is active High instead of Low**

The DCD signal is active at High level in the USART Modem Mode.

DCD should be active at Low level.

#### **Problem Fix/Workaround**

Add an inverter.

## 40.15.11 Voltage Regulator

### 40.15.11.1 Voltage Regulator: Current Consumption in Deep Mode

Current consumption in Deep Mode is maximum 60  $\mu$ A instead of 25  $\mu$ A.

Due to current rejection from VDDIN to VDDCORE, the current consumption in Deep Mode cannot be guaranteed. Instead, 60  $\mu$ A is guaranteed whatever the condition.

#### **Problem Fix/Workaround**

None.

### 40.15.11.2 Voltage Regulator: Load Versus Temperature

Maximum load is 50 mA at 85 °C (instead of 100 mA).

Maximum load is 100 mA at 70°C.

#### **Problem Fix/Workaround**

None.

## 40.16 AT91SAM7S32 Errata - Revision A Parts

Refer to [Section 40.1 “Marking” on page 591](#).

Note: AT91SAM7S32 Revision A chip ID is 0x2708 0340.

### 40.16.1 Analog-to-Digital Converter (ADC)

#### 40.16.1.1 ADC: DRDY Bit Cleared

The DRDY Flag should be clear only after a read of ADC\_LCDR (Last Converted Data Register). A read of any ADC\_CDRx register (Channel Data Register) automatically clears the DRDY flag.

**Problem Fix/Workaround:**

None

#### 40.16.1.2 ADC: DRDY not Cleared on Disable

When reading LCDR at the same instant as an end of conversion, with DRDY already active, DRDY is kept active regardless of the enable status of the current channel. This sets DRDY, whereas new data is not stored.

**Problem Fix/Workaround**

None

#### 40.16.1.3 ADC: DRDY Possibly Skipped due to CDR Read

Reading CDR for channel “y” at the same instant as an end of conversion on channel “x” with EOC[x] already active, leads to skipping to set the DRDY flag if channel “x” is enabled.

**Problem Fix/Workaround**

Use of DRDY functionality with access to CDR registers should be avoided.

#### 40.16.1.4 ADC: Possible Skip on DRDY when Disabling a Channel

DRDY does not rise when disabling channel “y” at the same time as an end of “x” channel conversion, although data is stored into CDRx and LCDR.

**Problem Fix/Workaround**

None.

#### 40.16.1.5 ADC: GOVRE Bit is not Updated

Read of the Status Register at the same instant as an end of conversion leads to skipping the update of the GOVRE (general overrun) flag. GOVRE is neither reset nor set.

For example, if reading the status while an end of conversion is occurring and:

1. GOVRE is active but DRDY is inactive, does not correspond to a new general overrun condition but the GOVRE flag is not reset.
2. GOVRE is inactive but DRDY is active, does correspond to a new general overrun condition but the GOVRE flag is not set.

**Problem Fix/Workaround**

None

#### 40.16.1.6 ADC: GOVRE Bit is not Set when Reading CDR

When reading CDRy (Channel Data Register y) at the same instant as an end of conversion on channel “x” with the following conditions:

- EOC[x] already active,
  - DRDY already active,
  - GOVRE inactive,
  - previous data stored in LCDR being neither data from channel “y”, nor data from channel “x”.
- GOVRE should be set but is not.

**Problem Fix/Workaround**

None

**40.16.1.7 ADC: GOVRE Bit is not Set when Disabling a Channel**

When disabling channel “y” at the same instant as an end of conversion on channel “x”, EOC[x] and DRDY being already active, GOVRE does not rise.

Note: OVRE[x] rises as expected.

**Problem Fix/Workaround**

None

**40.16.1.8 ADC: OVRE Flag Behavior**

When the OVRE flag (on channel i) has been set but the related EOC status (of channel i) has been cleared (by a read of CDRi or LCDR), reading the Status register at the same instant as an end of conversion (causing the set of EOC status on channel i), does not lead to a reset of the OVRE flag (on channel i) as expected.

**Problem Fix/Workaround:**

None

**40.16.1.9 ADC: EOC Set although Channel Disabled**

If a channel is disabled while a conversion is running and if a read of CDR is performed at the same time as an end of conversion of any channel occurs, the EOC of the channel with the conversion running may rise (whereas it has been disabled).

**Problem Fix/Workaround**

Do not take into account the EOC of a disabled channel

**40.16.1.10 ADC: Spurious Clear of EOC Flag**

If “x” and “y” are two successively converted channels and “z” is yet another enabled channel (“z” being neither “x” nor “y”), reading CDR on channel “z” at the same instant as an end of conversion on channel “y” automatically clears EOC[x] instead of EOC[z].

**Problem Fix/Workaround**

None.

**40.16.1.11 ADC: Sleep Mode**

If Sleep mode is activated while there is no activity (no conversion is being performed), it will take effect only after a conversion occurs.

**Problem Fix/Workaround**

To activate sleep mode as soon as possible, it is recommended to write successively, ADC Mode Register (SLEEP) then ADC Control Register (START bit field); to start an analog-to-digital conversion, in order put ADC into sleep mode at the end of this conversion.

## 40.16.2 Non Volatile Memory Bits (NVM Bits)

### 40.16.2.1 NVM Bits: Write/Erase Cycles Number

The maximum number of write/erase cycles for Non Volatile Memory bits is 100. This includes Lock Bits (LOCKx), General Purpose NVM bits (GPNVMx) and the Security Bit.

This maximum number of write/erase cycles is not applicable to 64 KB Flash memory, it remains at 10K for the Flash memory.

#### Problem Fix/Workaround

None.

## 40.16.3 Parallel Input/Output Controller (PIO)

### 40.16.3.1 PIO: Leakage on PA17 - PA20

When PA17, PA18, PA19 or PA20 (the I/O lines multiplexed with the analog inputs) are set as digital inputs with pull-up disabled, the leakage can be 9  $\mu$ A in worst case and 90 nA in typical case per I/O when the I/O is set externally at low level.

#### Problem Fix/Workaround

Set the I/O to VDDIO by internal or external pull-up.

### 40.16.3.2 PIO: Electrical Characteristics on NRST and PA0-PA16 and PA21-31

When NRST or PA0-PA16 or PA21-PA31 are set as digital inputs with pull-up enabled, the voltage of the I/O stabilizes at VPull-up.

#### Vpull-up

| VPull-up Min   | VPull-up Max   |
|----------------|----------------|
| VDDIO - 0.65 V | VDDIO - 0.45 V |

This condition causes a leakage through VDDIO. This leakage is 45  $\mu$ A per pad in worst case at 3.3 V and 25  $\mu$ A at 1.8V.

#### I Leakage

| Parameter         | Typ         | Max        |
|-------------------|-------------|------------|
| I Leakage at 3,3V | 2.5 $\mu$ A | 45 $\mu$ A |
| I Leakage at 1.8V | 1 $\mu$ A   | 25 $\mu$ A |

#### Problem Fix/Workaround

It is recommended to use an external pull-up if needed.

### 40.16.3.3 PIO: Drive Low NRST, PA0-PA16 and PA21-PA31

When NRST or PA0-PA16 and or PA21-PA31 are set as digital inputs with pull-up enabled, driving the I/O with an output impedance higher than 500 ohms may not drive the I/O to a logical zero.

#### Problem Fix/Workaround

Output impedance must be lower than 500 ohms.



## 40.16.4 Pulse Width Modulation Controller (PWM)

### 40.16.4.1 PWM: Update when PWM\_CCNTx = 0 or 1

If the Channel Counter Register value is 0 or 1, the Channel Period Register or Channel Duty Cycle Register is directly modified when writing the Channel Update Register.

#### **Problem Fix/Workaround**

Check the Channel Counter Register before writing the update register.

### 40.16.4.2 PWM: Update when PWM\_CPRDx = 0

When Channel Period Register equals 0, the period update is not operational.

#### **Problem Fix/Workaround**

Do not write 0 in the period register.

### 40.16.4.3 PWM: Counter Start Value

In left aligned mode, the first start value of the counter is 0. For the other periods, the counter starts at 1.

#### **Problem Fix/Workaround**

None.

### 40.16.4.4 PWM: Constraints on Duty Cycle Value

Setting Channel Duty Cycle Register (PWM\_CDTYx) at 0 in center aligned mode or at 0 or 1 in left aligned mode may change the polarity of the signal.

#### **Problem Fix/Workaround**

Do not set PWM\_CDTYx at 0 in center aligned mode.

Do not set PWM\_CDTYx at 0 or 1 in left aligned mode.

### 40.16.4.5 PWM: Behavior of CHIDx Status Bits in the PWM\_SR Register

Erratic behavior of the CHIDx status bit in the PWM\_SR Register. When a channel is disabled by writing in the PWM\_DIS Register just after enabling it (before completion of a Clock Period of the clock selected for the channel), the PWM line is internally disabled but the CHIDx status bit in the PWM\_SR stays at 1.

#### **Problem Fix/Workaround**

Do not disable a channel before completion of one period of the selected clock.

## 40.16.5 Real Time Timer (RTT)

### 40.16.5.1 RTT: Possible Event Loss when Reading RTT\_SR

If an event (RTTINC or ALMS) occurs within the same slow clock cycle during which the RTT\_SR is read, the corresponding bit might be cleared. This can lead to the loss of this event.

#### **Problem Fix/Workaround:**

The software must handle the RTT event as an interrupt and should not poll RTT\_SR.

## 40.16.6 Serial Peripheral Interface (SPI)

### 40.16.6.1 20. SPI: Pulse Generation on SPCK

In Master Mode, there is an additional pulse generated on SPCK when the SPI is configured as follows:

- The Baudrate is odd and different from 1
- The Polarity is set to 1
- The Phase is set to 0

#### **Problem Fix/Workaround**

None.

### 40.16.6.2 SPI: Bad tx\_ready behavior when CSAAT=1 and SCBR = 1

If the SPI is programmed with CSAAT = 1, SCBR(baudrate) = 1 and two transfers are performed consecutively on the same slave with an IDLE state between them, the tx\_ready signal does not rise after the second data has been transferred in the shifter. This can imply for example, that the second data is sent twice.

#### **Problem Fix/Workaround**

Do not use the combination CSAAT=1 and SCBR =1.

### 40.16.6.3 SPI: LASTXFER (Last Transfer) behavior

In FIXED Mode, with CSAAT bit set, and in “PDC mode” the Chip Select can rise depending on the data written in the SPI\_TDR when the TX\_EMPTY flag is set. If for example, the PDC writes a “1” in the bit 24 (LASTXFER bit) of the SPI\_TDR, the chip select will rise as soon as the TXEMPTY flag is set.

#### **Problem Fix/Workaround**

Use the CS in PIO mode when PDC mode is required and CS has to be maintained between transfers.

### 40.16.6.4 SPI: SPCK Behavior in Master Mode

SPCK pin can toggle out before the first transfer in Master Mode.

#### **Problem Fix/Workaround**

In Master Mode, MSTR bit must be set (in SPI\_MR register) before configuring SPI\_CSRx registers.

### 40.16.6.5 SPI: Chip Select and Fixed Mode

In fixed Mode, if a transfer is performed through a PDC on a Chip select different from the Chip select 0, the output spi\_size sampled by the PDC will depend on the field, BITS (Bits per Transfer) of SPI\_CSR0 register, whatever the selected Chip select is. For example, if SPI\_CSR0 is configured for a 10-bit transfer whereas SPI\_CSR1 is configured for an 8-bit transfer, when a transfer is performed in Fixed mode through the PDC, on Chip select 1, the transfer will be considered as a HalfWord transfer.

#### **Problem Fix/Workaround**

If a PDC transfer has to be performed in 8 bits, on a Chip select y (y as different from 0), the BITS field of the SPI\_CSR0 must be configured in 8 bits, in the same way as the BITS field of the CSRy Register.

## 40.16.6.6 SPI: Baudrate Set to 1

When Baudrate is set at 1 (i.e. when serial clock frequency equals the system clock frequency) and when the BITS field of the SPI\_CSR register (number of bits to be transmitted) equals an ODD value (in this case 9,11,13 or 15), an additional pulse will be generated on output SPCK.

Everything is OK if the BITS field equals 8,10,12,14 or 16 and Baudrate = 1.

### **Problem Fix/Workaround**

None.

## 40.16.6.7 SPI: Disable In Slave Mode

The SPI disable is not possible in slave mode.

### **Problem Fix/Workaround**

Read first the received data, then perform the software reset.

## 40.16.6.8 SPI: Disable Issue

The SPI Command “SPI Disable” is not possible during a transfer, it must be performed only after TX\_EMPTY rising else there is everlasting dummy transfers occur.

### **Problem Fix/Workaround**

None.

## 40.16.6.9 SPI: Software Reset and SPIEN Bit

The SPI Command “software reset” does not reset the SPIEN config bit. Therefore rewriting an SPI enable command does not set TX\_READY, TX\_EMPTY flags.

### **Problem Fix/Workaround**

Send SPI disable command after a software reset.

## 40.16.6.10 SPI: CSAAT = 1 and Delay

If CSAAT = 1 for current access and there is no more TX request for a time greater than DLYBCT + DLYBCS, then if an access is requested on another slave, the NPSC bus switches from one CS to the one requested without DLYBCS. External Slaves may reach a contention on SPI\_MISO line for a short period.

### **Problem Fix/Workaround**

Assert the Last Transfer Command (NPSC de-activation) for the last character of each slave.

## 40.16.6.11 SPI: Bad Serial Clock Generation on 2nd Chip Select

Bad Serial clock generation on the 2nd chip select when SCBR = 1, CPOL = 1 and NCPHA = 0.

This occurs using SPI with the following conditions:

- Master Mode
- CPOL = 1 and NCPHA = 0
- Multiple chip selects are used with one transfer with Baud rate (SCBR) equal to 1 (i.e., when serial clock frequency equals the system clock frequency) and the other transfers set with SCBR are not equal to 1
- Transmitting with the slowest chip select and then with the fastest one, then an additional pulse is generated on output SPCK during the second transfer.

### **Problem Fix/Workaround**



Do not use a multiple Chip Select configuration where at least one SCRx register is configured with SCBR = 1 and the others differ from 1 if NCPHA = 0 and CPOL = 1.

If all chip selects are configured with Baudrate = 1, the issue does not appear.

## 40.16.7 Synchronous Serial Controller (SSC)

### 40.16.7.1 SSC: Periodic Transmission Limitations in Master Mode

If the Least Significant Bit is sent first (MSBF = 0), the first TAG during the frame synchro is not sent.

#### Problem Fix/Workaround

None.

### 40.16.7.2 SSC: Transmitter Limitations in Slave Mode

If TK is programmed as output and TF is programmed as input, it is impossible to emit data when the start of edge (rising or falling) of synchro has a Start Delay equal to zero.

#### Problem Fix/Workaround

None.

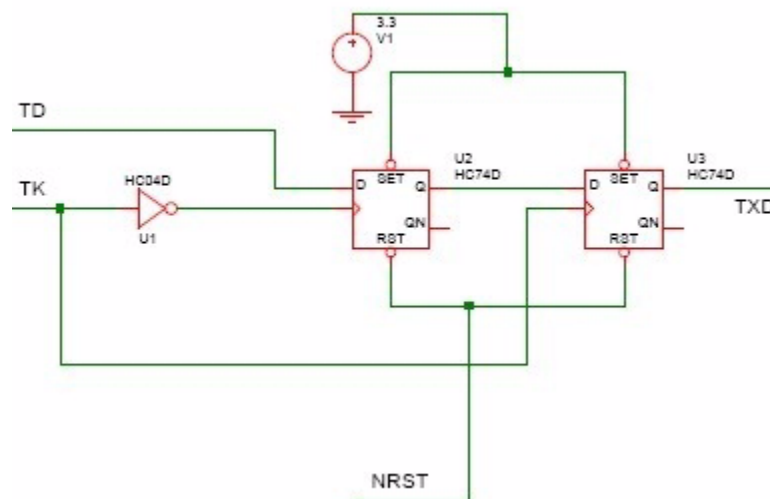
### 40.16.7.3 SSC: Transmitter Limitations in Slave Mode

If TK is programmed as an input and TF is programmed as an output and requested to be set to low/high during data emission, the Frame Synchro signal is generated one bit clock period after the data start and one data bit is lost. This problem does not exist when generating a periodic synchro.

#### Problem Fix/Workaround

The data need to be delayed for one bit clock period with an external assembly.

In the following schematic, TD, TK and NRST are AT91SAM7S signals, TXD is the delayed data to connect to the device.



## 40.16.8 Two-wire Interface (TWI)

### 40.16.8.1 TWI: Clock Divider

The value of  $CLDIV \times 2^{CKDIV}$  must be less than or equal to 8191, the value of  $CHDIV \times 2^{CKDIV}$  must be less than or equal to 8191.

#### **Problem Fix/Workaround**

None.

### 40.16.8.2 TWI: Software Reset

When a software reset is performed during a frame and when TWCK is low, it is impossible to initiate a new transfer in READ or WRITE mode.

#### **Problem Fix/Workaround**

None.

### 40.16.8.3 TWI: Disabling Does not Operate Correctly

Any transfer in progress is immediately frozen if the Control Register (TWI\_CR) is written with the bit MSDIS at 1. Furthermore, the status bits TXCOMP and TXRDY in the Status Register (TWI\_SR) are not reset.

#### **Problem Fix/Workaround**

The user must wait for the end of transfer before disabling the TWI. In addition, the interrupts must be disabled before disabling the TWI.

### 40.16.8.4 TWI: NACK Status Bit Lost

During a master frame, if TWI\_SR is read between the Non Acknowledge condition detection and the TXCOMP bit rising in the TWI\_SR, the NACK bit is not set.

#### **Problem Fix/Workaround**

The user must wait for the TXCOMP status bit by interrupt and must not read the TWI\_SR as long as transmission is not completed.

TXCOMP and NACK fields are set simultaneously and the NACK field is reset after the read of the TWI\_SR.

### 40.16.8.5 TWI: Possible Receive Holding Register Corruption

When loading the TWI\_RHR, the transfer direction is ignored. The last data byte received in the TWI\_RHR is corrupted at the end of the first subsequent transmit data byte. Neither RXRDY nor OVERRUN status bits are set if this occurs.

#### **Problem Fix/Workaround**

The user must be sure that received data is read before transmitting any new data.

## 40.16.9 Universal Synchronous Asynchronous Receiver Transmitter (USART)

### 40.16.9.1 USART: Hardware Handshake

The Hardware Handshake does not work at speeds higher than 750 kbauds.

#### **Problem Fix/Workaround**

None.

#### 40.16.9.2 *USART: CTS in Hardware Handshaking*

When Hardware Handshaking is used and if CTS goes low near the end of the starting bit, a character can be lost.

##### **Problem Fix/Workaround**

CTS must not go low during a time slot occurring between 2 Master Clock periods before the starting bit and 16 Master Clock periods after the rising edge of the starting bit.

#### 40.16.9.3 *USART: Hardware Handshaking – Two Characters Sent*

If CTS switches from 0 to 1 during the TX of a character and if the holding register (US\_THR) is not empty, the content of US\_THR will also be transmitted.

##### **Problem Fix/Workaround**

Don't use the PDC in transmit mode and do not fill US\_THR before TXEMPTY is set at 1.

#### 40.16.9.4 *USART: XOFF Character Bad Behavior*

The XOFF character is sent only when the receive buffer is detected full. While the XOFF is being sent, the remote transmitter is still transmitting. As only one Holding register is available in the receiver, characters will be lost in reception. This makes the software handshaking functionality ineffective.

##### **Problem Fix/Workaround**

None.

#### 40.16.9.5 *USART: DCD is active High instead of Low*

The DCD signal is active at High level in the USART Modem Mode.

DCD should be active at Low level.

##### **Problem Fix/Workaround**

Add an inverter.

### 40.16.10 Voltage Regulator

#### 40.16.10.1 *Voltage Regulator: Current Consumption in Deep Mode*

Current consumption in Deep Mode is maximum 60  $\mu$ A instead of 25  $\mu$ A.

Due to current rejection from VDDIN to VDDCORE, the current consumption in Deep Mode cannot be guaranteed. Instead, 60  $\mu$ A is guaranteed whatever the condition.

##### **Problem Fix/Workaround**

None.

#### 40.16.10.2 *Voltage Regulator: Load Versus Temperature*

Maximum load is 50 mA at 85 °C (instead of 100 mA).

Maximum load is 100 mA at 70°C.

##### **Problem Fix/Workaround**

None.

## 40.17 AT91SAM7S32 Errata - Revision B Parts

Refer to [Section 40.1 “Marking” on page 591](#).

Note: AT91SAM7S32 Revision B chip ID is 0x2708 0341.

### 40.17.1 Analog-to-Digital Converter (ADC)

#### 40.17.1.1 ADC: DRDY Bit Cleared

The DRDY Flag should be clear only after a read of ADC\_LCDR (Last Converted Data Register). A read of any ADC\_CDRx register (Channel Data Register) automatically clears the DRDY flag.

**Problem Fix/Workaround:**

None

#### 40.17.1.2 ADC: DRDY not Cleared on Disable

When reading LCDR at the same instant as an end of conversion, with DRDY already active, DRDY is kept active regardless of the enable status of the current channel. This sets DRDY, whereas new data is not stored.

**Problem Fix/Workaround**

None

#### 40.17.1.3 ADC: DRDY Possibly Skipped due to CDR Read

Reading CDR for channel “y” at the same instant as an end of conversion on channel “x” with EOC[x] already active, leads to skipping to set the DRDY flag if channel “x” is enabled.

**Problem Fix/Workaround**

Use of DRDY functionality with access to CDR registers should be avoided.

#### 40.17.1.4 ADC: Possible Skip on DRDY when Disabling a Channel

DRDY does not rise when disabling channel “y” at the same time as an end of “x” channel conversion, although data is stored into CDRx and LCDR.

**Problem Fix/Workaround**

None.

#### 40.17.1.5 ADC: GOVRE Bit is not Updated

Read of the Status Register at the same instant as an end of conversion leads to skipping the update of the GOVRE (general overrun) flag. GOVRE is neither reset nor set.

For example, if reading the status while an end of conversion is occurring and:

1. GOVRE is active but DRDY is inactive, does not correspond to a new general overrun condition but the GOVRE flag is not reset.
2. GOVRE is inactive but DRDY is active, does correspond to a new general overrun condition but the GOVRE flag is not set.

**Problem Fix/Workaround**

None

#### 40.17.1.6 ADC: GOVRE Bit is not Set when Reading CDR

When reading CDRy (Channel Data Register y) at the same instant as an end of conversion on channel “x” with the following conditions:

- EOC[x] already active,
  - DRDY already active,
  - GOVRE inactive,
  - previous data stored in LCDR being neither data from channel “y”, nor data from channel “x”.
- GOVRE should be set but is not.

**Problem Fix/Workaround**

None

**40.17.1.7 ADC: GOVRE Bit is not Set when Disabling a Channel**

When disabling channel “y” at the same instant as an end of conversion on channel “x”, EOC[x] and DRDY being already active, GOVRE does not rise.

Note: OVRE[x] rises as expected.

**Problem Fix/Workaround**

None

**40.17.1.8 ADC: OVRE Flag Behavior**

When the OVRE flag (on channel i) has been set but the related EOC status (of channel i) has been cleared (by a read of CDRi or LCDR), reading the Status register at the same instant as an end of conversion (causing the set of EOC status on channel i), does not lead to a reset of the OVRE flag (on channel i) as expected.

**Problem Fix/Workaround:**

None

**40.17.1.9 ADC: EOC Set although Channel Disabled**

If a channel is disabled while a conversion is running and if a read of CDR is performed at the same time as an end of conversion of any channel occurs, the EOC of the channel with the conversion running may rise (whereas it has been disabled).

**Problem Fix/Workaround**

Do not take into account the EOC of a disabled channel

**40.17.1.10 ADC: Spurious Clear of EOC Flag**

If “x” and “y” are two successively converted channels and “z” is yet another enabled channel (“z” being neither “x” nor “y”), reading CDR on channel “z” at the same instant as an end of conversion on channel “y” automatically clears EOC[x] instead of EOC[z].

**Problem Fix/Workaround**

None.

**40.17.1.11 ADC: Sleep Mode**

If Sleep mode is activated while there is no activity (no conversion is being performed), it will take effect only after a conversion occurs.

**Problem Fix/Workaround**

To activate sleep mode as soon as possible, it is recommended to write successively, ADC Mode Register (SLEEP) then ADC Control Register (START bit field); to start an analog-to-digital conversion, in order put ADC into sleep mode at the end of this conversion.



## 40.17.2 Parallel Input/Output Controller (PIO)

### 40.17.2.1 PIO: Electrical Characteristics on NRST and PA0-PA16 and PA21-31

When NRST or PA0-PA16 or PA21-PA31 are set as digital inputs with pull-up enabled, the voltage of the I/O stabilizes at VPull-up.

#### VPull-up

| VPull-up Min   | VPull-up Max   |
|----------------|----------------|
| VDDIO - 0.65 V | VDDIO - 0.45 V |

This condition causes a leakage through VDDIO. This leakage is 45  $\mu$ A per pad in worst case at 3.3 V and 25  $\mu$ A at 1.8V.

#### I Leakage

| Parameter         | Typ         | Max        |
|-------------------|-------------|------------|
| I Leakage at 3,3V | 2.5 $\mu$ A | 45 $\mu$ A |
| I Leakage at 1.8V | 1 $\mu$ A   | 25 $\mu$ A |

#### Problem Fix/Workaround

It is recommended to use an external pull-up if needed.

### 40.17.2.2 PIO: Drive Low NRST, PA0-PA16 and PA21-PA31

When NRST or PA0-PA16 and or PA21-PA31 are set as digital inputs with pull-up enabled, driving the I/O with an output impedance higher than 500 ohms may not drive the I/O to a logical zero.

#### Problem Fix/Workaround

Output impedance must be lower than 500 ohms.

## 40.17.3 Pulse Width Modulation Controller (PWM)

### 40.17.3.1 PWM: Update when PWM\_CCNTx = 0 or 1

If the Channel Counter Register value is 0 or 1, the Channel Period Register or Channel Duty Cycle Register is directly modified when writing the Channel Update Register.

#### Problem Fix/Workaround

Check the Channel Counter Register before writing the update register.

### 40.17.3.2 PWM: Update when PWM\_CPRDx = 0

When Channel Period Register equals 0, the period update is not operational.

#### Problem Fix/Workaround

Do not write 0 in the period register.

### 40.17.3.3 PWM: Counter Start Value

In left aligned mode, the first start value of the counter is 0. For the other periods, the counter starts at 1.

#### Problem Fix/Workaround

None.

#### 40.17.3.4 PWM: Constraints on Duty Cycle Value

Setting Channel Duty Cycle Register (PWM\_CDTYx) at 0 in center aligned mode or at 0 or 1 in left aligned mode may change the polarity of the signal.

##### **Problem Fix/Workaround**

Do not set PWM\_CDTYx at 0 in center aligned mode.

Do not set PWM\_CDTYx at 0 or 1 in left aligned mode.

#### 40.17.3.5 PWM: Behavior of CHIDx Status Bits in the PWM\_SR Register

Erratic behavior of the CHIDx status bit in the PWM\_SR Register. When a channel is disabled by writing in the PWM\_DIS Register just after enabling it (before completion of a Clock Period of the clock selected for the channel), the PWM line is internally disabled but the CHIDx status bit in the PWM\_SR stays at 1.

##### **Problem Fix/Workaround**

Do not disable a channel before completion of one period of the selected clock.

### 40.17.4 Real Time Timer (RTT)

#### 40.17.4.1 RTT: Possible Event Loss when Reading RTT\_SR

If an event (RTTINC or ALMS) occurs within the same slow clock cycle during which the RTT\_SR is read, the corresponding bit might be cleared. This can lead to the loss of this event.

##### **Problem Fix/Workaround:**

The software must handle the RTT event as an interrupt and should not poll RTT\_SR.

### 40.17.5 Serial Peripheral Interface (SPI)

#### 40.17.5.1 SPI: Software Reset Must be Written Twice

If a software reset (SWRST in the SPI Control Register) is performed, the SPI may not work properly (the clock is enabled before the chip select).

##### **Problem Fix/Workaround**

The SPI Control Register field, SWRST needs to be written twice to be set correctly.

#### 40.17.5.2 20. SPI: Pulse Generation on SPCK

In Master Mode, there is an additional pulse generated on SPCK when the SPI is configured as follows:

- The Baudrate is odd and different from 1
- The Polarity is set to 1
- The Phase is set to 0

##### **Problem Fix/Workaround**

None.

#### 40.17.5.3 SPI: Bad tx\_ready behavior when CSAAT=1 and SCBR = 1

If the SPI is programmed with CSAAT = 1, SCBR(baudrate) = 1 and two transfers are performed consecutively on the same slave with an IDLE state between them, the tx\_ready signal does not rise after the second data has been transferred in the shifter. This can imply for example, that the second data is sent twice.

## Problem Fix/Workaround

Do not use the combination CSAAT=1 and SCBR =1.

### 40.17.5.4 SPI: LASTXFER (Last Transfer) behavior

In FIXED Mode, with CSAAT bit set, and in “PDC mode” the Chip Select can rise depending on the data written in the SPI\_TDR when the TX\_EMPTY flag is set. If for example, the PDC writes a “1” in the bit 24 (LASTXFER bit) of the SPI\_TDR, the chip select will rise as soon as the TXEMPTY flag is set.

## Problem Fix/Workaround

Use the CS in PIO mode when PDC mode is required and CS has to be maintained between transfers.

### 40.17.5.5 SPI: SPCK Behavior in Master Mode

SPCK pin can toggle out before the first transfer in Master Mode.

## Problem Fix/Workaround

In Master Mode, MSTR bit must be set (in SPI\_MR register) before configuring SPI\_CSRx registers.

### 40.17.5.6 SPI: Chip Select and Fixed Mode

In fixed Mode, if a transfer is performed through a PDC on a Chip select different from the Chip select 0, the output spi\_size sampled by the PDC will depend on the field, BITS (Bits per Transfer) of SPI\_CSR0 register, whatever the selected Chip select is. For example, if SPI\_CSR0 is configured for a 10-bit transfer whereas SPI\_CSR1 is configured for an 8-bit transfer, when a transfer is performed in Fixed mode through the PDC, on Chip select 1, the transfer will be considered as a HalfWord transfer.

## Problem Fix/Workaround

If a PDC transfer has to be performed in 8 bits, on a Chip select y (y as different from 0), the BITS field of the SPI\_CSR0 must be configured in 8 bits, in the same way as the BITS field of the CSRy Register.

### 40.17.5.7 SPI: Baudrate Set to 1

When Baudrate is set at 1 (i.e. when serial clock frequency equals the system clock frequency) and when the BITS field of the SPI\_CSR register (number of bits to be transmitted) equals an ODD value (in this case 9,11,13 or 15), an additional pulse will be generated on output SPCK.

Everything is OK if the BITS field equals 8,10,12,14 or 16 and Baudrate = 1.

## Problem Fix/Workaround

None.

### 40.17.5.8 SPI: Disable In Slave Mode

The SPI disable is not possible in slave mode.

## Problem Fix/Workaround

Read first the received data, then perform the software reset.

### 40.17.5.9 SPI: Disable Issue

The SPI Command “SPI Disable” is not possible during a transfer, it must be performed only after TX\_EMPTY rising else there is everlasting dummy transfers occur.

### **Problem Fix/Workaround**

None.

#### **40.17.5.10 SPI: Software Reset and SPIEN Bit**

The SPI Command “software reset” does not reset the SPIEN config bit. Therefore rewriting an SPI enable command does not set TX\_READY, TX\_EMPTY flags.

### **Problem Fix/Workaround**

Send SPI disable command after a software reset.

#### **40.17.5.11 SPI: CSAAT = 1 and Delay**

If CSAAT = 1 for current access and there is no more TX request for a time greater than DLYBCT + DLYBCS, then if an access is requested on another slave, the NPCS bus switches from one CS to the one requested without DLYBCS. External Slaves may reach a contention on SPI\_MISO line for a short period.

### **Problem Fix/Workaround**

Assert the Last Transfer Command (NPCS de-activation) for the last character of each slave.

#### **40.17.5.12 SPI: Bad Serial Clock Generation on 2nd Chip Select**

Bad Serial clock generation on the 2nd chip select when SCBR = 1, CPOL = 1 and NCPHA = 0.

This occurs using SPI with the following conditions:

- Master Mode
- CPOL = 1 and NCPHA = 0
- Multiple chip selects are used with one transfer with Baud rate (SCBR) equal to 1 (i.e., when serial clock frequency equals the system clock frequency) and the other transfers set with SCBR are not equal to 1
- Transmitting with the slowest chip select and then with the fastest one, then an additional pulse is generated on output SPCK during the second transfer.

### **Problem Fix/Workaround**

Do not use a multiple Chip Select configuration where at least one SCR<sub>x</sub> register is configured with SCBR = 1 and the others differ from 1 if NCPHA = 0 and CPOL = 1.

If all chip selects are configured with Baudrate = 1, the issue does not appear.

## **40.17.6 Synchronous Serial Controller (SSC)**

#### **40.17.6.1 SSC: Periodic Transmission Limitations in Master Mode**

If the Least Significant Bit is sent first (MSBF = 0), the first TAG during the frame synchro is not sent.

### **Problem Fix/Workaround**

None.

#### **40.17.6.2 SSC: Transmitter Limitations in Slave Mode**

If TK is programmed as output and TF is programmed as input, it is impossible to emit data when the start of edge (rising or falling) of synchro has a Start Delay equal to zero.

### **Problem Fix/Workaround**

None.

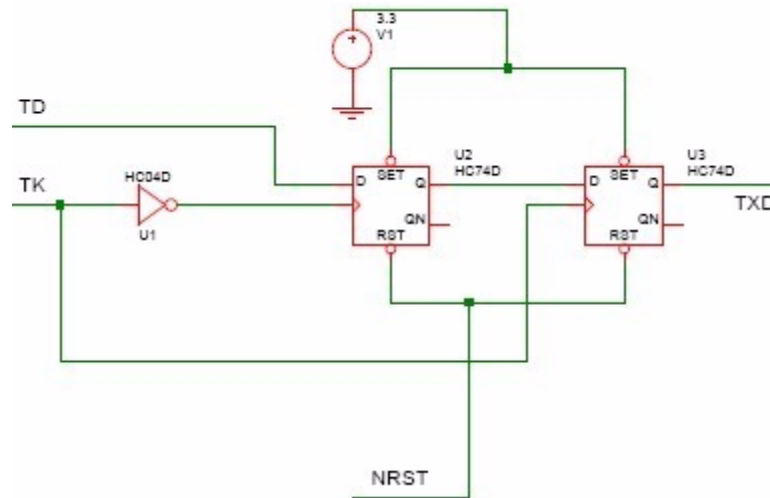
## 40.17.6.3 SSC: Transmitter Limitations in Slave Mode

If TK is programmed as an input and TF is programmed as an output and requested to be set to low/high during data emission, the Frame Synchro signal is generated one bit clock period after the data start and one data bit is lost. This problem does not exist when generating a periodic synchro.

### Problem Fix/Workaround

The data need to be delayed for one bit clock period with an external assembly.

In the following schematic, TD, TK and NRST are AT91SAM7S signals, TXD is the delayed data to connect to the device.



## 40.17.7 Two-wire Interface (TWI)

### 40.17.7.1 TWI: Clock Divider

The value of  $CLDIV \times 2^{CKDIV}$  must be less than or equal to 8191, the value of  $CHDIV \times 2^{CKDIV}$  must be less than or equal to 8191.

### Problem Fix/Workaround

None.

### 40.17.7.2 TWI: Software Reset

When a software reset is performed during a frame and when TWCK is low, it is impossible to initiate a new transfer in READ or WRITE mode.

### Problem Fix/Workaround

None.

### 40.17.7.3 TWI: Disabling Does not Operate Correctly

Any transfer in progress is immediately frozen if the Control Register (TWI\_CR) is written with the bit MSDIS at 1. Furthermore, the status bits TXCOMP and TXRDY in the Status Register (TWI\_SR) are not reset.

### Problem Fix/Workaround

The user must wait for the end of transfer before disabling the TWI. In addition, the interrupts must be disabled before disabling the TWI.

#### 40.17.7.4 *TWI: NACK Status Bit Lost*

During a master frame, if TWI\_SR is read between the Non Acknowledge condition detection and the TXCOMP bit rising in the TWI\_SR, the NACK bit is not set.

##### **Problem Fix/Workaround**

The user must wait for the TXCOMP status bit by interrupt and must not read the TWI\_SR as long as transmission is not completed.

TXCOMP and NACK fields are set simultaneously and the NACK field is reset after the read of the TWI\_SR.

#### 40.17.7.5 *TWI: Possible Receive Holding Register Corruption*

When loading the TWI\_RHR, the transfer direction is ignored. The last data byte received in the TWI\_RHR is corrupted at the end of the first subsequent transmit data byte. Neither RXRDY nor OVERRUN status bits are set if this occurs.

##### **Problem Fix/Workaround**

The user must be sure that received data is read before transmitting any new data.

### 40.17.8 **Universal Synchronous Asynchronous Receiver Transmitter (USART)**

#### 40.17.8.1 *USART: Hardware Handshake*

The Hardware Handshake does not work at speeds higher than 750 kbauds.

##### **Problem Fix/Workaround**

None.

#### 40.17.8.2 *USART: CTS in Hardware Handshaking*

When Hardware Handshaking is used and if CTS goes low near the end of the starting bit, a character can be lost.

##### **Problem Fix/Workaround**

CTS must not go low during a time slot occurring between 2 Master Clock periods before the starting bit and 16 Master Clock periods after the rising edge of the starting bit.

#### 40.17.8.3 *USART: Hardware Handshaking – Two Characters Sent*

If CTS switches from 0 to 1 during the TX of a character and if the holding register (US\_THR) is not empty, the content of US\_THR will also be transmitted.

##### **Problem Fix/Workaround**

Don't use the PDC in transmit mode and do not fill US\_THR before TXEMPTY is set at 1.

#### 40.17.8.4 *USART: XOFF Character Bad Behavior*

The XOFF character is sent only when the receive buffer is detected full. While the XOFF is being sent, the remote transmitter is still transmitting. As only one Holding register is available in the receiver, characters will be lost in reception. This makes the software handshaking functionality ineffective.

##### **Problem Fix/Workaround**

None.

## 40.17.8.5 *USART: DCD is active High instead of Low*

The DCD signal is active at High level in the USART Modem Mode.

DCD should be active at Low level.

### **Problem Fix/Workaround**

Add an inverter.

## 40.18 AT91SAM7S161 Errata - Revision A Parts

Refer to [Section 40.1 “Marking” on page 591](#).

Note: AT91SAM7S161 Revision A chip ID is 0x2705 0241.

### 40.18.1 Analog-to-Digital Converter (ADC)

#### 40.18.1.1 ADC: DRDY Bit Cleared

The DRDY Flag should be clear only after a read of ADC\_LCDR (Last Converted Data Register). A read of any ADC\_CDRx register (Channel Data Register) automatically clears the DRDY flag.

**Problem Fix/Workaround:**

None

#### 40.18.1.2 ADC: DRDY not Cleared on Disable

When reading LCDR at the same instant as an end of conversion, with DRDY already active, DRDY is kept active regardless of the enable status of the current channel. This sets DRDY, whereas new data is not stored.

**Problem Fix/Workaround**

None

#### 40.18.1.3 ADC: DRDY Possibly Skipped due to CDR Read

Reading CDR for channel “y” at the same instant as an end of conversion on channel “x” with EOC[x] already active, leads to skipping to set the DRDY flag if channel “x” is enabled.

**Problem Fix/Workaround**

Use of DRDY functionality with access to CDR registers should be avoided.

#### 40.18.1.4 ADC: Possible Skip on DRDY when Disabling a Channel

DRDY does not rise when disabling channel “y” at the same time as an end of “x” channel conversion, although data is stored into CDRx and LCDR.

**Problem Fix/Workaround**

None.

#### 40.18.1.5 ADC: GOVRE Bit is not Updated

Read of the Status Register at the same instant as an end of conversion leads to skipping the update of the GOVRE (general overrun) flag. GOVRE is neither reset nor set.

For example, if reading the status while an end of conversion is occurring and:

1. GOVRE is active but DRDY is inactive, does not correspond to a new general overrun condition but the GOVRE flag is not reset.
2. GOVRE is inactive but DRDY is active, does correspond to a new general overrun condition but the GOVRE flag is not set.

**Problem Fix/Workaround**

None

#### 40.18.1.6 ADC: GOVRE Bit is not Set when Reading CDR

When reading CDRy (Channel Data Register y) at the same instant as an end of conversion on channel “x” with the following conditions:



- EOC[x] already active,
- DRDY already active,
- GOVRE inactive,
- previous data stored in LCDR being neither data from channel “y”, nor data from channel “x”.

GOVRE should be set but is not.

#### **Problem Fix/Workaround**

None

#### **40.18.1.7**    *ADC: GOVRE Bit is not Set when Disabling a Channel*

When disabling channel “y” at the same instant as an end of conversion on channel “x”, EOC[x] and DRDY being already active, GOVRE does not rise.

Note:    OVRE[x] rises as expected.

#### **Problem Fix/Workaround**

None

#### **40.18.1.8**    *ADC: OVRE Flag Behavior*

When the OVRE flag (on channel i) has been set but the related EOC status (of channel i) has been cleared (by a read of CDRi or LCDR), reading the Status register at the same instant as an end of conversion (causing the set of EOC status on channel i), does not lead to a reset of the OVRE flag (on channel i) as expected.

#### **Problem Fix/Workaround:**

None

#### **40.18.1.9**    *ADC: EOC Set although Channel Disabled*

If a channel is disabled while a conversion is running and if a read of CDR is performed at the same time as an end of conversion of any channel occurs, the EOC of the channel with the conversion running may rise (whereas it has been disabled).

#### **Problem Fix/Workaround**

Do not take into account the EOC of a disabled channel

#### **40.18.1.10**    *ADC: Spurious Clear of EOC Flag*

If “x” and “y” are two successively converted channels and “z” is yet another enabled channel (“z” being neither “x” nor “y”), reading CDR on channel “z” at the same instant as an end of conversion on channel “y” automatically clears EOC[x] instead of EOC[z].

#### **Problem Fix/Workaround**

None.

#### **40.18.1.11**    *ADC: Sleep Mode*

If Sleep mode is activated while there is no activity (no conversion is being performed), it will take effect only after a conversion occurs.

#### **Problem Fix/Workaround**

To activate sleep mode as soon as possible, it is recommended to write successively, ADC Mode Register (SLEEP) then ADC Control Register (START bit field); to start an analog-to-digital conversion, in order put ADC into sleep mode at the end of this conversion.

## 40.18.2 Pulse Width Modulation Controller (PWM)

### 40.18.2.1 PWM: Update when PWM\_CCNTx = 0 or 1

If the Channel Counter Register value is 0 or 1, the Channel Period Register or Channel Duty Cycle Register is directly modified when writing the Channel Update Register.

#### **Problem Fix/Workaround**

Check the Channel Counter Register before writing the update register.

### 40.18.2.2 PWM: Update when PWM\_CPRDx = 0

When Channel Period Register equals 0, the period update is not operational.

#### **Problem Fix/Workaround**

Do not write 0 in the period register.

### 40.18.2.3 PWM: Counter Start Value

In left aligned mode, the first start value of the counter is 0. For the other periods, the counter starts at 1.

#### **Problem Fix/Workaround**

None.

### 40.18.2.4 PWM: Constraints on Duty Cycle Value

Setting Channel Duty Cycle Register (PWM\_CDTYx) at 0 in center aligned mode or at 0 or 1 in left aligned mode may change the polarity of the signal.

#### **Problem Fix/Workaround**

Do not set PWM\_CDTYx at 0 in center aligned mode.

Do not set PWM\_CDTYx at 0 or 1 in left aligned mode.

### 40.18.2.5 PWM: Behavior of CHIDx Status Bits in the PWM\_SR Register

Erratic behavior of the CHIDx status bit in the PWM\_SR Register. When a channel is disabled by writing in the PWM\_DIS Register just after enabling it (before completion of a Clock Period of the clock selected for the channel), the PWM line is internally disabled but the CHIDx status bit in the PWM\_SR stays at 1.

#### **Problem Fix/Workaround**

Do not disable a channel before completion of one period of the selected clock.

## 40.18.3 Real Time Timer (RTT)

### 40.18.3.1 RTT: Possible Event Loss when Reading RTT\_SR

If an event (RTTINC or ALMS) occurs within the same slow clock cycle during which the RTT\_SR is read, the corresponding bit might be cleared. This can lead to the loss of this event.

#### **Problem Fix/Workaround:**

The software must handle the RTT event as an interrupt and should not poll RTT\_SR.

## 40.18.4 Serial Peripheral Interface (SPI)

### 40.18.4.1 SPI: Bad Serial Clock Generation on 2nd Chip Select

Bad Serial clock generation on the 2nd chip select when SCBR = 1, CPOL = 1 and NCPHA = 0.

This occurs using SPI with the following conditions:

- Master Mode
- CPOL = 1 and NCPHA = 0
- Multiple chip selects are used with one transfer with Baud rate (SCBR) equal to 1 (i.e., when serial clock frequency equals the system clock frequency) and the other transfers set with SCBR are not equal to 1
- Transmitting with the slowest chip select and then with the fastest one, then an additional pulse is generated on output SPCK during the second transfer.

#### **Problem Fix/Workaround**

Do not use a multiple Chip Select configuration where at least one SCRx register is configured with SCBR = 1 and the others differ from 1 if NCPHA = 0 and CPOL = 1.

If all chip selects are configured with Baudrate = 1, the issue does not appear.

## 40.18.5 Synchronous Serial Controller (SSC)

### 40.18.5.1 SSC: Periodic Transmission Limitations in Master Mode

If the Least Significant Bit is sent first (MSBF = 0), the first TAG during the frame synchro is not sent.

#### **Problem Fix/Workaround**

None.

### 40.18.5.2 SSC: Transmitter Limitations in Slave Mode

If TK is programmed as output and TF is programmed as input, it is impossible to emit data when the start of edge (rising or falling) of synchro has a Start Delay equal to zero.

#### **Problem Fix/Workaround**

None.

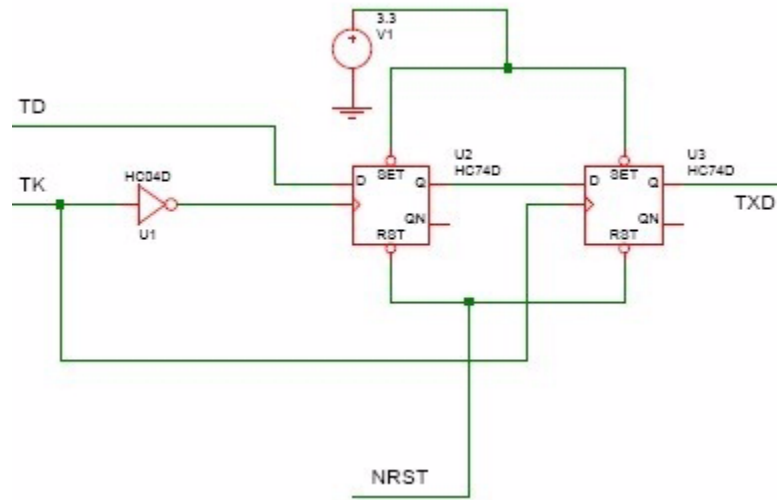
### 40.18.5.3 SSC: Transmitter Limitations in Slave Mode

If TK is programmed as an input and TF is programmed as an output and requested to be set to low/high during data emission, the Frame Synchro signal is generated one bit clock period after the data start and one data bit is lost. This problem does not exist when generating a periodic synchro.

#### **Problem Fix/Workaround**

The data need to be delayed for one bit clock period with an external assembly.

In the following schematic, TD, TK and NRST are AT91SAM7S signals, TXD is the delayed data to connect to the device.



## 40.18.6 Universal Synchronous Asynchronous Receiver Transmitter (USART)

### 40.18.6.1 USART: DCD is active High instead of Low

The DCD signal is active at High level in the USART Modem Mode.

DCD should be active at Low level.

#### **Problem Fix/Workaround**

Add an inverter.

## 40.19 AT91SAM7S16 Errata - Revision A Parts

Refer to [Section 40.1 “Marking” on page 591](#).

Note: AT91SAM7S16 Revision A chip ID is 0x2705 0240.

### 40.19.1 Analog-to-Digital Converter (ADC)

#### 40.19.1.1 ADC: DRDY Bit Cleared

The DRDY Flag should be clear only after a read of ADC\_LCDR (Last Converted Data Register). A read of any ADC\_CDRx register (Channel Data Register) automatically clears the DRDY flag.

**Problem Fix/Workaround:**

None

#### 40.19.1.2 ADC: DRDY not Cleared on Disable

When reading LCDR at the same instant as an end of conversion, with DRDY already active, DRDY is kept active regardless of the enable status of the current channel. This sets DRDY, whereas new data is not stored.

**Problem Fix/Workaround**

None

#### 40.19.1.3 ADC: DRDY Possibly Skipped due to CDR Read

Reading CDR for channel “y” at the same instant as an end of conversion on channel “x” with EOC[x] already active, leads to skipping to set the DRDY flag if channel “x” is enabled.

**Problem Fix/Workaround**

Use of DRDY functionality with access to CDR registers should be avoided.

#### 40.19.1.4 ADC: Possible Skip on DRDY when Disabling a Channel

DRDY does not rise when disabling channel “y” at the same time as an end of “x” channel conversion, although data is stored into CDRx and LCDR.

**Problem Fix/Workaround**

None.

#### 40.19.1.5 ADC: GOVRE Bit is not Updated

Read of the Status Register at the same instant as an end of conversion leads to skipping the update of the GOVRE (general overrun) flag. GOVRE is neither reset nor set.

For example, if reading the status while an end of conversion is occurring and:

1. GOVRE is active but DRDY is inactive, does not correspond to a new general overrun condition but the GOVRE flag is not reset.
2. GOVRE is inactive but DRDY is active, does correspond to a new general overrun condition but the GOVRE flag is not set.

**Problem Fix/Workaround**

None

#### 40.19.1.6 ADC: GOVRE Bit is not Set when Reading CDR

When reading CDRy (Channel Data Register y) at the same instant as an end of conversion on channel “x” with the following conditions:

- EOC[x] already active,
- DRDY already active,
- GOVRE inactive,
- previous data stored in LCDR being neither data from channel “y”, nor data from channel “x”.

GOVRE should be set but is not.

**Problem Fix/Workaround**

None

**40.19.1.7**    *ADC: GOVRE Bit is not Set when Disabling a Channel*

When disabling channel “y” at the same instant as an end of conversion on channel “x”, EOC[x] and DRDY being already active, GOVRE does not rise.

Note:    OVRE[x] rises as expected.

**Problem Fix/Workaround**

None

**40.19.1.8**    *ADC: OVRE Flag Behavior*

When the OVRE flag (on channel i) has been set but the related EOC status (of channel i) has been cleared (by a read of CDRi or LCDR), reading the Status register at the same instant as an end of conversion (causing the set of EOC status on channel i), does not lead to a reset of the OVRE flag (on channel i) as expected.

**Problem Fix/Workaround:**

None

**40.19.1.9**    *ADC: EOC Set although Channel Disabled*

If a channel is disabled while a conversion is running and if a read of CDR is performed at the same time as an end of conversion of any channel occurs, the EOC of the channel with the conversion running may rise (whereas it has been disabled).

**Problem Fix/Workaround**

Do not take into account the EOC of a disabled channel

**40.19.1.10**    *ADC: Spurious Clear of EOC Flag*

If “x” and “y” are two successively converted channels and “z” is yet another enabled channel (“z” being neither “x” nor “y”), reading CDR on channel “z” at the same instant as an end of conversion on channel “y” automatically clears EOC[x] instead of EOC[z].

**Problem Fix/Workaround**

None.

**40.19.1.11**    *ADC: Sleep Mode*

If Sleep mode is activated while there is no activity (no conversion is being performed), it will take effect only after a conversion occurs.

**Problem Fix/Workaround**

To activate sleep mode as soon as possible, it is recommended to write successively, ADC Mode Register (SLEEP) then ADC Control Register (START bit field); to start an analog-to-digital conversion, in order put ADC into sleep mode at the end of this conversion.

## 40.19.2 Pulse Width Modulation Controller (PWM)

### 40.19.2.1 PWM: Update when PWM\_CCNTx = 0 or 1

If the Channel Counter Register value is 0 or 1, the Channel Period Register or Channel Duty Cycle Register is directly modified when writing the Channel Update Register.

#### **Problem Fix/Workaround**

Check the Channel Counter Register before writing the update register.

### 40.19.2.2 PWM: Update when PWM\_CPRDx = 0

When Channel Period Register equals 0, the period update is not operational.

#### **Problem Fix/Workaround**

Do not write 0 in the period register.

### 40.19.2.3 PWM: Counter Start Value

In left aligned mode, the first start value of the counter is 0. For the other periods, the counter starts at 1.

#### **Problem Fix/Workaround**

None.

### 40.19.2.4 PWM: Constraints on Duty Cycle Value

Setting Channel Duty Cycle Register (PWM\_CDTYx) at 0 in center aligned mode or at 0 or 1 in left aligned mode may change the polarity of the signal.

#### **Problem Fix/Workaround**

Do not set PWM\_CDTYx at 0 in center aligned mode.

Do not set PWM\_CDTYx at 0 or 1 in left aligned mode.

### 40.19.2.5 PWM: Behavior of CHIDx Status Bits in the PWM\_SR Register

Erratic behavior of the CHIDx status bit in the PWM\_SR Register. When a channel is disabled by writing in the PWM\_DIS Register just after enabling it (before completion of a Clock Period of the clock selected for the channel), the PWM line is internally disabled but the CHIDx status bit in the PWM\_SR stays at 1.

#### **Problem Fix/Workaround**

Do not disable a channel before completion of one period of the selected clock.

## 40.19.3 Real Time Timer (RTT)

### 40.19.3.1 RTT: Possible Event Loss when Reading RTT\_SR

If an event (RTTINC or ALMS) occurs within the same slow clock cycle during which the RTT\_SR is read, the corresponding bit might be cleared. This can lead to the loss of this event.

#### **Problem Fix/Workaround:**

The software must handle the RTT event as an interrupt and should not poll RTT\_SR.

## 40.19.4 Serial Peripheral Interface (SPI)

### 40.19.4.1 SPI: Bad Serial Clock Generation on 2nd Chip Select

Bad Serial clock generation on the 2nd chip select when SCBR = 1, CPOL = 1 and NCPHA = 0.

This occurs using SPI with the following conditions:

- Master Mode
- CPOL = 1 and NCPHA = 0
- Multiple chip selects are used with one transfer with Baud rate (SCBR) equal to 1 (i.e., when serial clock frequency equals the system clock frequency) and the other transfers set with SCBR are not equal to 1
- Transmitting with the slowest chip select and then with the fastest one, then an additional pulse is generated on output SPCK during the second transfer.

#### **Problem Fix/Workaround**

Do not use a multiple Chip Select configuration where at least one SCRx register is configured with SCBR = 1 and the others differ from 1 if NCPHA = 0 and CPOL = 1.

If all chip selects are configured with Baudrate = 1, the issue does not appear.

## 40.19.5 Synchronous Serial Controller (SSC)

### 40.19.5.1 SSC: Periodic Transmission Limitations in Master Mode

If the Least Significant Bit is sent first (MSBF = 0), the first TAG during the frame synchro is not sent.

#### **Problem Fix/Workaround**

None.

### 40.19.5.2 SSC: Transmitter Limitations in Slave Mode

If TK is programmed as output and TF is programmed as input, it is impossible to emit data when the start of edge (rising or falling) of synchro has a Start Delay equal to zero.

#### **Problem Fix/Workaround**

None.

### 40.19.5.3 SSC: Transmitter Limitations in Slave Mode

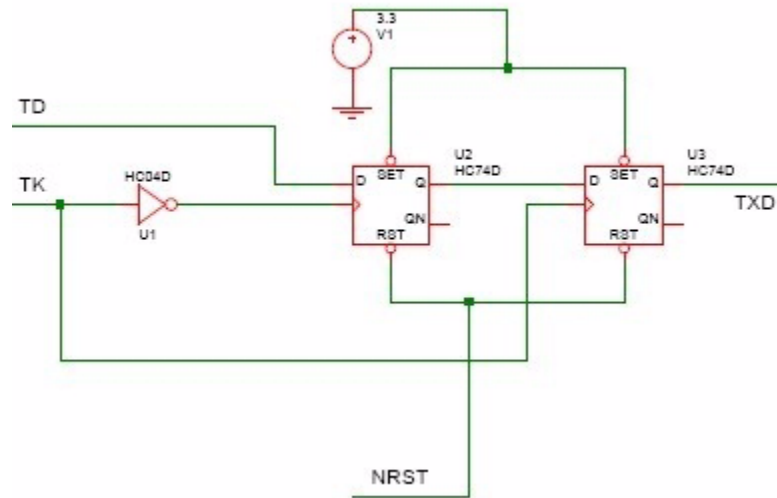
If TK is programmed as an input and TF is programmed as an output and requested to be set to low/high during data emission, the Frame Synchro signal is generated one bit clock period after the data start and one data bit is lost. This problem does not exist when generating a periodic synchro.

#### **Problem Fix/Workaround**

The data need to be delayed for one bit clock period with an external assembly.

In the following schematic, TD, TK and NRST are AT91SAM7S signals, TXD is the delayed data to connect to the device.





## 40.19.6 Universal Synchronous Asynchronous Receiver Transmitter (USART)

### 40.19.6.1 USART: DCD is active High instead of Low

The DCD signal is active at High level in the USART Modem Mode.

DCD should be active at Low level.

#### Problem Fix/Workaround

Add an inverter.



## Revision History

In the tables that follow, the most recent revision appears first.

| Version<br>6175J | Comments  | Change Request Ref    |
|------------------|---|-----------------------|
|                  | <b>Overview:</b><br><a href="#">Section 6.2 "Test Pin"</a> , added to SAM-BA Boot recovery procedure, a power cycle of the board is mandatory.<br><a href="#">Section 8.10 "SAM-BA Boot Assistant"</a> , added to SAM-BA Boot recovery procedure, a power cycle of the board is mandatory.<br><br><a href="#">Section 19.2.4.4 "General-purpose NVM Bits"</a> , Clear General-purpose Bit command updated (last paragraph in the section).  | 6068<br><br>6235/5522 |
|                  | <b>EFCS:</b><br><a href="#">Section 19.2.4.1 "Flash Programming"</a> , constraint on partial programming mode added under <a href="#">Figure 19-6 "Example of Partial Page Programming"</a>   | 6825                  |
|                  | <b>USART:</b><br><a href="#">Section 31.7.9 "USART Baud Rate Generator Register"</a>  | 6302                  |
|                  | <b>ERRATA:</b><br><a href="#">Section 40.4 "AT91SAM7S512 Errata - Revision A Parts"</a><br><a href="#">Section 40.4.2.1 "EFC: Embedded Flash Access Time"</a> , updated.  | 6873                  |
|                  | <a href="#">Section 40.4.9.4 "USART: RXBRK Flag Error in Asynchronous Mode"</a> , updated.<br><a href="#">Section 40.5.12.4 "USART: RXBRK Flag Error in Asynchronous Mode"</a> , updated.<br><a href="#">Section 40.6.11.4 "USART: RXBRK Flag Error in Asynchronous Mode"</a> , updated.<br><a href="#">Section 40.7.9.4 "USART: RXBRK Flag Error in Asynchronous Mode"</a> , updated.<br><a href="#">Section 40.8.12.4 "USART: RXBRK Flag Error in Asynchronous Mode"</a> , updated.<br><a href="#">Section 40.9.11.4 "USART: RXBRK Flag Error in Asynchronous Mode"</a> , updated.<br><a href="#">Section 40.10.9.4 "USART: RXBRK Flag Error in Asynchronous Mode"</a> , updated. | 6627                  |

| Version<br>6175I | Comments  | Change Request Ref   |
|------------------|---|--|
|                  | <p><b>Overview:</b></p> <p>Section "Features", "Debug Unit (DBGU)" updated with "Mode for General Purpose 2-wire UART Serial Communication"</p> <p>Section 7.4 "Peripheral DMA Controller", added list of PDC priorities.</p> <p>Section 9. "System Controller", Figure 9-1 and Figure 9-2 RTT is reset by "power_on_reset".</p> <p>Section 9.1.1 "Brownout Detector and Power-on Reset", fourth paragraph reduced.</p> <p>Section 12.5.5 "ID Code Register", added "The JTAG ID is used in the IEEE 1149.1 JTAG Boundary Scan."</p> <p>Section 9.5 "Debug Unit", the list; "Chip ID Registers", chip IDs updated, added SAM7S32 Rev B and SAM7S64 Rev B to the list.</p> | <p>5846</p> <p>5913</p> <p>5224</p> <p>5685</p> <p>5482</p> <p>rfo</p> |
|                  | <p><b>ADC:</b></p> <p>Figure 36-1 "Analog-to-Digital Converter Block Diagram" VDDANA replaced by VDDIN. PMC added to figure</p> <p>Section 36.6.2 "ADC Mode Register", updated the formula on bit description: "SHTIM: Sample &amp; Hold Time" .</p> <p>Section 36.5.5 "Conversion Triggers", update to the third paragraph detailing hardware trigger.</p>   | <p>rfo/5855</p> <p>5254</p> <p>5782</p>                                |
|                  | <p><b>PMC:</b></p> <p>"PMC Interrupt Enable Register", "PMC Interrupt Disable Register", "PMC Status Register", "PMC Interrupt Mask Register", LOCKU and UOSCS removed from bit fields in register tables.</p> <p>Section 25.7 "Programming Sequence", Step 6 "Enabling Peripheral Clocks", AT91SAM7S512 grouped with devices having 12 peripheral clocks</p> <p>Section 25.9.10 "PMC Master Clock Register", MDIV removed from bit fields in register table.</p> <p>Section 25.9 "Power Management Controller (PMC) User Interface", added PMC_PCK2 to Register Mapping.</p>   | <p>5383</p> <p>5398/5798</p> <p>5438</p> <p>5483</p>                   |
|                  | <p><b>RSTC;</b></p> <p>Section 13.3.4.4 "Software Reset"; updated list with details on PERRST and PROCRST.</p>  | <p>5436</p>  |
|                  | <p><b>Electrical Characteristics:</b></p> <p>Table 37-2, "DC Characteristics", CMOS conditions added to I<sub>O</sub> for V<sub>OL</sub> and V<sub>OH</sub>.</p> <p>Table 37-4, "Brownout Detector Characteristics", V<sub>BOT</sub> conditions = Falling edge.</p> <p>Table 37-19, "External Voltage Reference Input", added ADVREF Input w/conditions "8-bit resolution mode".</p> <p>Section 37.10.2 "SSC Characteristics", added to datasheet.</p>  | <p>5913</p> <p>5684</p> <p>5913</p> <p>rfo</p>                         |
|                  | <p><b>Ordering Information:</b></p> <p>Table 39-1, "LQFP/QFN Ordering Information", Updated product ordering information by MRL A and MRL B versions.</p>   | <p>rfo</p>   |
|                  | <p><b>Section 40. "Errata"</b></p> <p>Section 40.2 "Errata Summary by Product and Revision or Manufacturing Number", added to Errata.</p> <p>Section 40-1 "Errata Summary Table", added to Errata.</p> <p>Chip ID noted on products where no chip ID errata exists.</p> <p>Section 40.13 "AT91SAM7S64 Errata - Revision B Parts", added to Errata.</p> <p>Section 40.17 "AT91SAM7S32 Errata - Revision B Parts", removed errata for NVM and Voltage Regulator.</p> <p>USART: XOFF Character Bad Behavior, removed from all revisions of the AT91SAM7S series components.</p>  | <p>rfo</p> <p>rfo</p> <p>5336</p>                                      |

| Version<br>6175I | Comments (Continued)  | Change Request Ref                 |
|------------------|---|------------------------------------|
|                  | <p>"AT91SAM7S512 Errata - Revision A Parts" added, <a href="#">Section 40.4.6.1 "SPI: Software Reset Must be Written Twice"</a></p> <p>"AT91SAM7S256 Errata - Revision B Parts" added, <a href="#">Section 40.7.6.1 "SPI: Software Reset Must be Written Twice"</a></p> <p>"AT91SAM7S128 Errata - Revision B Parts" added, <a href="#">Section 40.10.6.1 "SPI: Software Reset Must be Written Twice"</a></p> <p>"AT91SAM7S321 Errata - Revision A Parts" added, <a href="#">Section 40.14.5.1 "SPI: Software Reset Must be Written Twice"</a></p> <p>"AT91SAM7S32 Errata - Revision B Parts" added, <a href="#">Section 40.17.5.1 "SPI: Software Reset Must be Written Twice"</a></p> <p>"AT91SAM7S512 Errata - Revision A Parts" added, <a href="#">Section 40.4.2.1 "EFC: Embedded Flash Access Time"</a></p> <p><a href="#">Section 40.7 "AT91SAM7S256 Errata - Revision B Parts"</a>, chip ID updated.</p> <p><a href="#">Section 40.10 "AT91SAM7S128 Errata - Revision B Parts"</a> chip ID updated.</p> | <p>5784</p> <p>5988</p> <p>rfo</p> |

| Version<br>6175H | Comments   | Change Request Ref.                      |
|------------------|--|--|
|                  | <b>Overview:</b><br><a href="#">"Features" on page 1</a> (and all of datasheet) Added <b>AT91SAM7S16/161</b> to product family.<br>See: <a href="#">Table 1-1, "Configuration Summary," on page 3</a><br><a href="#">Section 8.6 "AT91SAM7S161/16" on page 19.</a><br><a href="#">Section 9.5 "Debug Unit" Chip ID updated.</a>  | rfo<br><br>4325<br>5063                  |
|                  | <b>ADC:</b> <a href="#">Section 36.6.2 "ADC Mode Register"</a> , STARTUP and PRESCAL bitfields updated (width expanded).   |  |
|                  | <b>AIC:</b> <a href="#">Section 23.8.15 "AIC Spurious Interrupt Vector Register"</a> , bitfield typo corrected   | 4749                                     |
|                  | <b>Debug and Test:</b><br><a href="#">Table 12-2, "AT91SAM7S Series Debug Unit Chip ID," on page 51,</a> updated.<br><a href="#">Table 12.5.5, "ID Code Register," on page 56,</a> updated.  | 4325/rfo                                 |
|                  | <b>EFC:</b> <a href="#">Section 19.3.3 "MC Flash Status Register"</a> GPNVM2 removed from bit field 10.  | 4464                                     |
|                  | <b>FFPI:</b><br><a href="#">Table 20-6, Table 20-7 plus Table 20-8, Table plus Table 20-17, Table 20-18 and Table 20-20</a> updated<br>Global update to terms listed below: ≥<br><br>Fuse →GPNVM<br>SFB →SGPB<br>CFB →CGPB<br>GFB →GGPB<br><a href="#">Section 20.2.5.6 on page 131 &amp;Section 20.3.4.6 on page 139,</a> security bit restraint on access to FFPI explained  | 4410<br>3933<br><br><br><br><br><br>4744 |
|                  | <b>PIO:</b><br><a href="#">Section 27.4.5 "Synchronous Data Output"</a> , typo fixed on PIO_OWSR<br>PIO User Interface, <a href="#">Table 27-2, "Register Mapping"</a> updates to footnotes, PIO_PSR, PIO_ODSR, PIO_PDSR   | 3289<br>3974                             |
|                  | <b>PMC:</b> <a href="#">Figure 24-2 "Typical Crystal Connection"</a> updated   | 3861                                     |
|                  | <b>SPI:</b> <a href="#">Section 28.6.4 "SPI Slave Mode"</a> , Corrected information on OVRES (SPI_SR) and data read in SPI_RDR.  | 3943                                     |
|                  | <b>SSC:</b> <a href="#">"SSC Receive Clock Mode Register" on page 422,</a> typo corrected in STTDLY bit field.   | 4478                                     |
|                  | <b>TC:</b> <a href="#">Section 33.6 "Timer Counter (TC) User Interface"</a> , register mapping consolidated in <a href="#">Table 33-4 on page 457</a> and register offsets indexed. <a href="#">Section 33.6.3 on page 460 to Section 33.6.13 on page 474,</a> register names updated with indexed offset.<br><a href="#">Section 33.6.4 "TC Channel Mode Register: Capture Mode"</a> , bit field 15 and WAVE bit field description updated. | 4583                                     |
|                  | <b>TWI:</b><br><a href="#">Section 29. "Two-wire Interface (TWI) AT91SAM7S512/256/128/64/321/32"</a> , section has been updated.<br>Important changes to this datasheet include a clarification of Atmel TWI compatibility with I2C Standard.<br><a href="#">Section 30. "Two Wire Interface (TWI) AT91SAM7S161/16"</a> , section added specific to the TWI implementation on the AT91SAM7S16/161 devices.                                   | 4247<br><br>rfo                          |
|                  | <b>PWM:</b><br><a href="#">Section 34.6 "Pulse Width Modulation Controller (PWM) User Interface"</a> , in the Offset column in <a href="#">Table 34-2, "Register Mapping"</a> , the PWM channel-dependent registers are indexed. See also, PWM Channel registers from: <a href="#">Section 34.6.10 on page 492 to Section 34.6.13 on page 494.</a>   | 4486                                     |

| Version<br>6175H | Comments (Continued)   | Change Request Ref.   |
|------------------|--|---|
|                  | <p><b>UDP:</b></p> <p>Table 35-2, "USB Communication Flow", Supported Endpoint column updated</p> <p>In the USB_CSR register, the control endpoints are not effected by the fit field, "EPEDS: Endpoint Enable Disable" on page 529,</p> <p>Updated: write1 =....in "RX_DATA_BK0: Receive Data Bank 0" bit field of USB_CSR register.</p> <p>Updated: write1 =....in "TXPKTRDY: Transmit Packet Ready" bit field of USB_CSR register.</p> <p>Section 35.6.10 "UDP Endpoint Control and Status Register" update to code and added instructions regarding USB clock and system clock cycle, and updated "note" appearing under the code. "wait 3 USB clock cycles and 3 system clock cycles before accessing DPR from RX_DATAx and TXPKTRDY bit fields, ditto for RX_DATAx and TXPKTRDY bit field descriptions."</p> <p>Section 35.2 "Block Diagram", in the text below the block diagram, MCK specified as clock used by Master Clock domain, UDPCK specified as 48 MHz clock used by 12 MHz domain, in peripheral clock requirements.</p> <p>Section 35.6 "USB Device Port (UDP) User Interface", The register mapping table has been updated.</p> <p>Section 35.6.6 "UDP Interrupt Mask Register", bit field 12 has been defined as BIT12 and cannot be masked.</p> | <p>3476</p> <p>4063</p> <p>4099</p> <p>4462</p> <p>4487</p> <p>4508</p> <p>4802</p>     |
|                  | <p><b>USART:</b></p> <p>"USCLKS: Clock Selection" on page 386, bit field in US_MR register, DIV=8 in "Selected Clock" column</p> <p>Section 31.5.1 "I/O Lines" 2nd and 3rd paragraphs updated.</p> <p>"TXEMPTY: TXEMPTY Interrupt Enable" on page 389, no characters when at 1, updated bit field in US_CSR</p> <p>Section 31.6.2 "Receiver and Transmitter Control", In 4th paragraph, " replaced 2nd sentence: The software resets clear the..."</p> <p>Section 31.6.5 "IrDA Mode", updated with instruction to receive IrDA signals.</p> <p>Section 31.2 "Block Diagram", signal directions from pads to PIO updated in the block diagrams.</p> <p>Section 31.6.3.1 "Transmitter Operations", last (4th) paragraph updated.</p>   | <p>3763</p> <p>3895</p> <p>3851/4285</p> <p>4367</p> <p>4912</p> <p>4905</p> <p>rfo</p> |
|                  | <p><b>Electrical/Mechanical Characteristics,</b></p> <p>Table 37-10, "Main Oscillator Characteristics", added schematic in footnote to C<sub>L</sub> and C<sub>LEXT</sub> symbols.</p> <p>Table 37-12, "XIN Clock Electrical Characteristics", updated</p> <p>Figure 37-2 "XIN Clock Timing" added below table 36-12</p> <p>Section 37.2 "DC Characteristics" and Section 38. "Mechanical Characteristics", removed reference to T<sub>J</sub>.</p> <p>ADC Characteristics: Table 37-21, "Transfer Characteristics" INL and DN updated, linked reference to Data Converter Terminology added below table.</p> <p>Table 38-5, "LQFP and QFN Package Characteristics" JESD97 Classification updated to be e3.</p> <p>Table 37-7, "Power Consumption for Different Modes", updated and expanded ARM core clock information.</p> <p>Section 37.6 "Master Clock Characteristics", moved from former location.</p> <p>Section 37.7 "I/O Characteristics", moved from former location.</p>  | <p>3867</p> <p>3965</p> <p>4656</p> <p>4006</p> <p>4969</p> <p>rfo</p>                  |
|                  | <p><b>Section 40. "Errata"</b>, added the following:</p> <p>Section 40.4 "AT91SAM7S512 Errata - Revision A Parts" provides list of errata with links.</p> <p>Section 40.7 "AT91SAM7S256 Errata - Revision B Parts"</p> <p>Section 40.10 "AT91SAM7S128 Errata - Revision B Parts"</p> <p>Section 40.12 "AT91SAM7S64 Errata - Revision B Parts"</p> <p>Section 40.16 "AT91SAM7S32 Errata - Revision A Parts"</p> <p>Section 40.17 "AT91SAM7S32 Errata - Revision B Parts"</p> <p><b>AT91SAM7S16/161:</b></p> <p>Section 40.18 "AT91SAM7S161 Errata - Revision A Parts"</p> <p>Section 40.19 "AT91SAM7S16 Errata - Revision A Parts"</p>  | <p>rfo</p> <p>4325</p> <p>4772</p> <p>rfo</p>   |

| Version | Comments (Continued)  | Change Request Ref. |
|---------|---|---------------------|
| 6175H   | <p><b>All AT91SAM7S:</b></p> <p><a href="#">“Analog-to-Digital Converter (ADC)”</a>, errata applies to all AT91SAM7S products.</p> <p><a href="#">“USART: DCD is active High instead of Low”</a>, errata applies to all AT91SAM7S products.</p> <p><a href="#">“SPI: Bad Serial Clock Generation on 2nd Chip Select”</a>, errata applies to all AT91SAM7S products.</p> <p><a href="#">“SPI: Bad Behavior when CSAAT = 1 and SCBR = 1”</a>, errata applies to all AT91SAM7S products.</p>   | 4752<br>rfo         |
|         | <p><b>AT91SAM7S256 Mfg # 58818C, AT91SAM7S256 Parts.A, AT91SAM7S128 Mfg # 58818C, AT91SAM7S128 Parts A,</b></p> <p>added the following:</p> <p><a href="#">Section 40.5.14.2 “WDT: The Watchdog Timer Status Register and Interrupt”</a></p> <p><a href="#">Section 40.6.13.2 “WDT: The Watchdog Timer Status Register and Interrupt”</a></p> <p><a href="#">Section 40.8.14.2 “WDT: The Watchdog Timer Status Register and Interrupt”</a></p> <p><a href="#">Section 40.9.13.2 “WDT: The Watchdog Timer Status Register and Interrupt”</a></p> | 3811                |
|         | <p><b>AT91SAM7S512</b> <a href="#">Section 40.4.9.1 “USART: CTS in Hardware Handshaking”</a> updated</p>  | 3954                |
|         | <p><b>AT91SAM7S512/256/128</b>, added the following: (and in newly added “B Parts”)</p> <p><a href="#">Section 40.4.9.4 “USART: RXBRK Flag Error in Asynchronous Mode”</a></p> <p><a href="#">Section 40.5.12.4 “USART: RXBRK Flag Error in Asynchronous Mode”</a></p> <p><a href="#">Section 40.8.12.4 “USART: RXBRK Flag Error in Asynchronous Mode”</a></p> <p><a href="#">Section 40.9.11.4 “USART: RXBRK Flag Error in Asynchronous Mode”</a></p>  | 4646                |

| Version | Comments   | Change Request Ref. |
|---------|--|---------------------|
| 6175G   | Added note to <a href="#">“Description”</a> on page 3  | 3442                |
|         | TC: added <a href="#">Figure 32-2 “Clock Chaining Selection”</a> page 393  | 3342                |
|         | SAM-BA Boot: <a href="#">Section 21.5.3 “USB Device Port”</a> reference to INF example and lit°6123 removed. (Doc no longer available on web.)   | 3647                |
|         | UDP: <a href="#">Table 35-2, “USB Communication Flow”</a> , Isochronous supported endpoint size is 64.   | 3475                |
|         | <p>Errata: items added to the Errata Sections listed below.</p> <p><a href="#">Section 40.5 “AT91SAM7S256 Errata - Manufacturing Number 58818C”</a></p> <p><a href="#">Section 40.6 “AT91SAM7S256 Errata - Revision A Parts”</a></p> <p><a href="#">Section 40.8 “AT91SAM7S128 Errata - Manufacturing Number 58818C”</a></p> <p><a href="#">Section 40.9 “AT91SAM7S128 Errata - Revision A Parts”</a></p> <p>Watchdog Timer: <a href="#">“The Watchdog Timer May Lock the Device in a Reset State”</a></p> <p>Real-time Timer: <a href="#">“RTT_VR May be Corrupted”</a></p> <p>Powe Management Controller: <a href="#">“Slow Clock Selected in PMC and a Transition Occurs on PA1”</a> and <a href="#">“Programming CSS in PMC_MCKR Register”</a></p> | 3652                |



| Version<br>6175F | Comments   | Change Request Ref.       |
|------------------|--|---------------------------|
|                  | <p>“Features” on page 1 (global) QFN packages changed to 64- and 48-pad QFN Manchester Encoder/Decoder removed from USART.</p> <p>“Features” on page 1, Table 1-1, “Configuration Summary,” on page 3, Section 4. “Package and Pinout” Section 39. “AT91SAM7S Ordering Information” and global, AT91SAM7S512 added to product family.</p> <p>Section 4.1 “64-lead LQFP and 64-pad QFN Package Outlines” and Section 4.3 “48-lead LQFP and 48-pad QFN Package Outlines” added (replace Mechanical Overview).</p> <p>Figure 8-1 on page 20 Peripheral and System Controller Memory Mapping has been condensed.</p> <p>Section 20. “Embedded Flash Controller (EFC)” EFC0 and EFC1 on AT91SAM7S512 explained.</p> | #2748                     |
|                  | <p>Section 10.1 “User Interface” User Peripherals are mapped between 0xF000 0000 and 0xFFFF EFFF.</p> <p>Table 10-1 and Table 10-2 SYSIRQ changed to SYSC in “Peripheral Identifiers”</p>  | rfo review                |
|                  | <p>ADC Block diagram Figure 35-1 on page 479 - dedicated and I/O analog inputs differentiated</p> <p>“ADC Timings” page 485 WARNING “...See the section ADC Characteristics...” typo fixed.</p>  | #3052<br>#2830            |
|                  | <p>Section 21. “Fast Flash Programming Interface (FFPI)”, AT91SAM7S512 instructions added to Section 21.2.5.6, and Section 21.2.5.7 on page 155, Section 21.3.4.6 and Section 21.3.4.7 on page 162.</p> <p>Table 21-1 on page 147 PMD and PGMNVALID bus size for AT91SAM7S32 is [7:0].</p>   | #2284<br>#2748            |
|                  | <p>AIC, Section 24.7.3.1 “Priority Controller” SRCTYPTE field is in AIC_SMR register, not AIC_SVR</p> <p>“Advanced Interrupt Controller (AIC) User Interface”, Table 24-2 on page 198 note 2 ref to PID bit fields</p>   | #2512<br>#2548            |
|                  | <p>AT91SAM7 Boot Program Section 22.5 “SAM-BA Boot” SAM-BA boot principle changed Section 22.2 “Flow Diagram” replaced Figure 22-1 and Figure 22-2 on page 165</p>   | #3050                     |
|                  | <p>DBGU: “ARCH: Architecture Identifier” page 259: updated</p> <p>Functional Block Diagram in Figure 27-1 on page 238 and Section 27.5.12 “Debug Unit Force NTRST Register” ice_nreset signal replaced with pad name, Power-on Reset (power_on_reset.)</p>   | #2832                     |
|                  | <p>“Peripheral DMA Controller (PDC)” User interface description updated page 173. Correct typo to “ENDTX” bit field name in Section 23.3.3 “Transfer Counters”</p>   | 05-460                    |
|                  | <p>PIO, Section 15.4.4 “Output Control” typo corrected</p> <p>Section 15.4.1 “Pull-up Resistor Control”, ref to resistor value removed.</p> <p>Figure 15-3 “I/O Line Control Logic” page 82, 0 and 1 inverted in the MUX controlled by PIO_MDSR.</p>   | 05-346<br>05-497<br>#3053 |
|                  | <p>“PMC Master Clock Register” on page 231 Corrected name of bitfield “PRES”</p> <p>Note defining PIDx added to “PMC Peripheral Clock Enable Register”, “PMC Peripheral Clock Disable Register” page 226 and</p> <p>Table 26-2 on page 222: footnotes reassigned.</p>  | #1603<br>#2468<br>#2748   |
|                  | <p>PWM, updated waveform generation Section 33.5.3.3 “Changing the Duty Cycle or the Period” page 430.</p>   | #1677                     |
|                  | <p>RSTC; added info on startup counter on crystal oscillator Section 13.3.1 “Reset Controller Overview”</p>  | #3005                     |
|                  | <p>RTT, added note to “Functional Description” page 73</p>   | #2522                     |

| Version<br>6175F | Comments (Continued)   | Change Request Ref.        |
|------------------|--|----------------------------|
|                  | SPI, Figure 28-9 "Slave Mode Functional Block Diagram" page 272, FLOAD removed<br>Section 28.6.3 "Master Mode Operations" change to SPI_RDR information<br>Section 28.7.1 "SPI Control Register" added information to bit description "SWRST: SPI Software Reset" page 14.<br>Section 28.7.9 "SPI Chip Select Register" corrected equation in "DLYBCT: Delay Between Consecutive Transfers" page 25.<br>Section 28.6.3.8 "Mode Fault Detection" updated  | #1542<br>#1543<br>#1676    |
|                  | SSC, Section 31.6.6.1 "Compare Functions" updated  | IP update                  |
|                  | TC, Table 32-1, "Timer Counter Clock Assignment," on page 389 has been added.<br>Section 32.5.4 "External Event/Trigger Conditions" TIOB defined as external event signal..... updated<br>"EEVT: External Event Selection" page 412, TIOB chosen as external event signal..... updated in footnote   | #2470<br>#2704             |
|                  | TWI, "Two-wire Interface (TWI) User Interface" page 294, UNRE and OVRE bit fields removed from TWI Status and Interrupt register tables.   | #2470                      |
|                  | UDP, Figure 34-2 on page 446 updated,<br>Section 34.4.1 "USB Device Transceiver" and Section 34.4.2 "VBUS Monitoring" page 446 added.<br>Section 34.5.1.2 "USB Bus Transactions" updated<br>Section 34.5.1.3 "USB Transfer Event Definitions" updated with endpoint information.<br>Section 34.5.2.2 "Data IN Transaction" Endpoint use updated.<br>Section 34.5.2 "Handling Transactions with USB V2.0 Device Peripheral" page 450, Section reworked, warnings added.<br>Section 34.5.3 "Controlling Device States" page 458, Section reworked and Section 34.5.3.1 "Not Powered State" and Section 34.5.3.2 "Entering Attached State" page 459 added.<br>Section 34.6 "USB Device Port (UDP) User Interface"<br>Section 34.6.2 "UDP Global State Register" page 464, updated.<br>Section 34.6.10 "UDP Endpoint Control and Status Register" page 473, updated<br>Corrections, improvements, additions and deletions throughout section, new source document.<br>Section Section 34.5.3.8 "Sending a Device Remote Wakeup" replaces title: "Sending an External Resume".<br>WAKEUP bit shown in interrupt registers: Section 34.6.4 on page 466 thru Section 34.6.8 on page 471.<br>RMWUPE, RSMINPR, ESR bits removed from Section 34.6.2 "UDP Global State Register".<br><b>NOTE:</b> pertinent to USB pullup effect on USB Reset added to Section 34.6.12 "UDP Transceiver Control Register". | source file update<br>3288 |

| Version<br>6175F | Comments (Continued)  | Change Request Ref.  |
|------------------|---|--|
|                  | <p>USART, Section 30.6.7 "AT91SAM7S512/256/128/64/321 Modem Mode" change to: The control of DTR output.... RTS output pin.....</p> <p>Section 30.6.4.1 "ISO7816 Mode Overview" PAR bit usage</p> <p>Section 30.6.3 "Synchronous and Asynchronous Modes" Manchester Encoder/Decoder feature removed</p> <p>Section 30.5.1 "I/O Lines" TXD line information added</p> <p>Section 30.6.1.3 "AT91SAM7S512/256/128 Fractional Baud Rate in Asynchronous Mode" USART "functional mode" changed to "normal mode"</p> <p>Table 30-3 and Table 30-4 on page 312 Di and Fi references corrected in titles.</p> <p>Figure 30-27 "IrDA Demodulator Operations" page 328, Figure modified.</p> <p>Table 30-2, "Baud Rate Example (OVER = 0) last two lines of table removed.</p> <p>Section 30.6.3.2 "Asynchronous Receiver" change to second sentence in fourth paragraph, "For the synchronization mechanism....."</p> <p>Section 30.6.3.8 "Receiver Time-out" list of user options rewritten.</p> <p>Section 30.7.1 "USART Control Register" STTTO bit function related to TIMEOUT in US_CSR register.</p> <p>Section 30.7.6 "USART Channel Status Register" TIMEOUT bit function related to STTTO in US_CR register.</p> | <p>#1770</p> <p>#1552</p> <p>#2748</p> <p>#2794 &amp; rfo review</p> <p>#2942</p> <p>#3023</p> |
|                  | <p>WDT, WV changed to WDV in Section 17.2 "Block Diagram" and in Section 17.3 "Functional Description" and 6th and 7th paragraph rewritten on page 112 beginning with "To prevent a software deadlock...."</p>  | <p>#3002</p>   |
|                  | <p><a href="#">Section 37. "AT91SAM7S Electrical Characteristics"</a> AT91SAM7S512 specific info added and changes to the following tables.</p> <p><a href="#">Table 37-2, "DC Characteristics"</a></p> <p><a href="#">Table 37-5, "DC Flash Characteristics AT91SAM7S64/321/32/161/16"</a></p> <p><a href="#">Table 37-6, "DC Flash Characteristics AT91SAM7S512/256/128"</a></p> <p><a href="#">Table 37-7, "Power Consumption for Different Modes"</a></p> <p><a href="#">Table 37-8, "Power Consumption on VDDCORE<sup>(1)</sup>"</a></p> <p><a href="#">Table 37-10, "Main Oscillator Characteristics"</a></p> <p><a href="#">Table 37-11, "Crystal Characteristics"</a> has been added.</p> <p><a href="#">Table 37-12, "XIN Clock Electrical Characteristics"</a></p> <p><a href="#">Table 37-13, "Phase Lock Loop Characteristics"</a></p> <p><a href="#">Table 37-22, "SPI Timings"</a></p>  | <p>Review</p>  |
|                  | <p><a href="#">Section 37. "AT91SAM7S Electrical Characteristics"</a></p> <p><a href="#">"Absolute Maximum Ratings"</a> on page 553, change to Maximum Operating Voltages.</p> <p><a href="#">Table 37-7, "Power Consumption for Different Modes"</a>, note added to table</p>  | <p>#3058</p> <p>#3061</p>  |
|                  | <p><a href="#">Section 38. "Mechanical Characteristics"</a> SAM7S512 added to Device and Package weights</p>  |  |

| Version<br>6175F | Comments (Continued)  | Change Request Ref. |
|------------------|---|---------------------|
|                  | <p><a href="#">Section 40. "Errata"</a> Added <a href="#">Section 40.1 "Marking"</a></p> <p>TWI: Behavior of OVRE bit: eliminated.<br/>change or added to <b>all</b>:</p> <p>PIO: Leakage on PA17 - PA20..." the leakage can be 9 <math>\mu</math>A in worst case..."</p> <p>RTT: Possible Event Loss when Reading RTT_SR</p> <p>SPI: Chip Select and Fixed Mode</p> <p>SPI: Baudrate Set to 1</p> <p>SPI: Disable in Slave Mode</p> <p>TWI: Software Reset</p> <p>USART: Hardware Handshaking – Two Characters are Sent</p> <p>USART: XOFF Character Bad Behavior</p> <p>added to <b>AT91SAM7S64/32</b> only:</p> <p>SPI: Disable Issue</p> <p>SPI: Software Reset and SPIEN Bit</p> <p>SPI: CSAAT = 1 and Delay</p> <p>Change to <b>AT91SAM7S321</b> only:</p> <p>Voltage Regulator errata removed.</p> <p>PWM: Constraints on Duty Cycle Value, updated <b>all</b></p> | 3173                |

| Version<br>6175E | Comments   | Change Request Ref          |
|------------------|--|-----------------------------|
|                  | <p><a href="#">"Features"</a> on page 1, <a href="#">Table 1-1</a>, <a href="#">"Configuration Summary,"</a> on page 3, <a href="#">Section 4. "Package and Pinout"</a><a href="#">"Absolute Maximum Ratings"</a> on page 553, <a href="#">Table 37-1</a>, <a href="#">"Thermal Resistance Data,"</a> on page 537 and</p> <p><a href="#">Section 39. "AT91SAM7S Ordering Information"</a> QFN package information added.</p> <p><a href="#">Section 40. "Errata"</a> QFN package errata added,</p> <p><a href="#">Section 40. "Errata"</a> SPI: SPCK Behavior in Master Mode added.</p> <p><a href="#">Section 40. "Errata"</a> PIO: Leakage in worst case changed to 9 <math>\mu</math>A.</p> | #2403<br><br>#2453<br>#2607 |

| Version<br>6175D | Comments   | Change Request Ref |
|------------------|--|--------------------|
|                  | <p>Section 40.14 "AT91SAM7S321 Errata - Revision A Parts" added</p> <p>Section 40. "Errata" added the following:</p> <p>Section 40.5.11.3 "TWI: Disabling Does not Operate Correctly" AT91SAM7S256</p> <p>Section 40.5.11.4 "TWI: NACK Status Bit Lost"</p> <p>Section 40.5.11.5 "TWI: Possible Receive Holding Register Corruption"</p> <p>Section 40.5.12.1 "USART: CTS in Hardware Handshaking"</p> <p>Section 40.8.11.3 "TWI: Disabling Does not Operate Correctly"AT91SAM7S128</p> <p>Section 40.8.11.4 "TWI: NACK Status Bit Lost"</p> <p>Section 40.8.11.5 "TWI: Possible Receive Holding Register Corruption"</p> <p>Section 40.8.12.1 "USART: CTS in Hardware Handshaking"</p> <p>Section 40.11.10.3 "TWI: Disabling Does not Operate Correctly"AT91SAM7S64</p> <p>Section 40.11.10.4 "TWI: NACK Status Bit Lost"</p> <p>Section 40.11.10.5 "TWI: Possible Receive Holding Register Corruption"</p> <p>Section 40.11.11.2 "USART: CTS in Hardware Handshaking"</p> <p>Section 40.15.9.3 "TWI: Disabling Does not Operate Correctly"AT91SAM7S32</p> <p>Section 40.15.9.4 "TWI: NACK Status Bit Lost"</p> <p>Section 40.15.9.5 "TWI: Possible Receive Holding Register Corruption"</p> <p>Section 40.15.10.2 "USART: CTS in Hardware Handshaking"</p> | #1768              |
|                  | <p>Section 40.6 "AT91SAM7S256 Errata - Revision A Parts" added</p> <p>Section 40.9 "AT91SAM7S128 Errata - Revision A Parts" added</p>  | #2309              |
|                  | <p>Section 39. "AT91SAM7S Ordering Information" AT91SAM7S321 changed in <a href="#">Table 39-1 on page 586</a></p>   | #2343              |

| Version<br>6175C | Comments  | Change Request Ref |
|------------------|---|--------------------|
|                  | AT91SAM7S321 addresses redefined: Table 22-4, "User Area Addresses," on page 171<br>Values given in PIO Line column: Table 22-5, "Pins Driven during Boot Program Execution," on page 171   | #1217              |
|                  | <p>Section 40. "Errata" added lines and note to the following:</p> <p>Section 40.5.3.1 "MCK: Limited Master Clock Frequency Ranges" AT91SAM7S256</p> <p>Section 40.8.3.1 "MCK: Limited Master Clock Frequency Ranges" AT91SAM7S128</p> <p>Section 40.11.3.1 "MCK: Limited Master Clock Frequency Ranges" AT91SAM7S64</p> <p>Section 40.15.3.1 "MCK: Limited Master Clock Frequency Ranges" AT91SAM7S32</p> <p>and</p> <p>Section 40.5.4.1 "NVM Bits: Write/Erase Cycles Number" AT91SAM7S256</p> <p>Section 40.8.4.1 "NVM Bits: Write/Erase Cycles Number" AT91SAM7S128</p> <p>Section 40.11.4.1 "NVM Bits: Write/Erase Cycles Number" AT91SAM7S64</p> <p>Section 40.15.4.1 "NVM Bits: Write/Erase Cycles Number" AT91SAM7S32</p> | #1547 and review   |
|                  | note <sup>(2)</sup> added to Table 37-24, "Embedded Flash Wait States," on page 578   | review             |
|                  | "Voltage Regulator Mode Register" page 118, bit field name corrected "PSTDBY: Power Standby Mode"   | #1585              |
|                  | AT91SAM7S321 addresses redefined: Table 22-4, "User Area Addresses," on page 171<br>Values given in PIO Line column: Table 22-5, "Pins Driven during Boot Program Execution," on page 171   | #1217              |

| Version<br>6175B | Comments   | Change Request Ref |
|------------------|--|--------------------|
|                  | <p>Added to datasheet: <a href="#">Section 40. "Errata" on page 591</a><br/> <a href="#">Section 40.5 "AT91SAM7S256 Errata - Manufacturing Number 58818C" on page 603</a>,<a href="#">Section 40.8 "AT91SAM7S128 Errata - Manufacturing Number 58818C" on page 633</a>,<a href="#">Section 40.11 "AT91SAM7S64 Errata - Manufacturing Number 58814G" on page 663</a><br/> <a href="#">Section 40.15 "AT91SAM7S32 Errata - Manufacturing Number 58814G" on page 700</a></p> <p>Changes/updates to the following:<br/> <a href="#">"ADC Characteristics" on page 570</a>, <a href="#">Figure 37-5 and Figure 37-6 on page 572</a>, <a href="#">Table 37-6, "DC Flash Characteristics AT91SAM7S512/256/128," on page 556</a> and <a href="#">Table 37-13, "Phase Lock Loop Characteristics," on page 566</a></p> | 05-501             |
|                  | update to <a href="#">"Internal Memory Mapping" on page 97</a>   | 05-507             |
|                  | update to <a href="#">SVMST0: Saved PDC Abort Source and SVMST1: Saved ARM7TDMI Abort Source register field definitions in "MC Abort Status Register" on page 101.</a>   | 05-509             |
|                  | <a href="#">Section 8. "Memories" on page 18</a> updated: 2 ms => 3 ms, 10 ms => 15 ms, 4 ms => 6 ms   | 05-529             |
|                  | <p>Evolution in IP blocks:<br/> EFC: <a href="#">FMCN: Flash Microsecond Cycle Number register field in "MC Flash Mode Register" page 138</a><br/> PMC: <a href="#">Section 26.7 "Programming Sequence" page 215</a><br/> DBGU: <a href="#">"ARCH: Architecture Identifier" page 259 register field in "Debug Unit Chip ID Register"</a><br/> SPI: <a href="#">Section 28. "Serial Peripheral Interface (SPI)" page 1</a><br/> UDP: <a href="#">Section 34.3.2 "Power Management" page 445</a>, <a href="#">Section 34.6 "USB Device Port (UDP) User Interface" page 462</a>, <a href="#">"UDP Transceiver Control Register" page 478</a></p>  |                    |
|                  | In Features and global: <a href="#">"EmbeddedICE™ In-circuit Emulation, Debug Communication Channel Support" EmbeddedICE to replace usage of "embedded in-circuit emulator"</a>  |                    |

| Version<br>6175A | Comments    | Change Request Ref |
|------------------|-------------|--------------------|
|                  | First issue |                    |





## Table of Contents

|          |  |           |
|----------|--|-----------|
|          | <b>Features .....</b>  | <b>1</b>  |
| <b>1</b> | <b>Description .....</b>   | <b>3</b>  |
|          | 1.1 Configuration Summary of the AT91SAM7S512, AT91SAM7S256,<br>AT91SAM7S128, AT91SAM7S64, AT91SAM7S321, AT91SAM7S32,<br>AT91SAM7S161 and AT91SAM7S163 |           |
| <b>2</b> | <b>Block Diagram .....</b>   | <b>4</b>  |
| <b>3</b> | <b>Signal Description .....</b>  | <b>6</b>  |
| <b>4</b> | <b>Package and Pinout .....</b>  | <b>9</b>  |
|          | 4.1 64-lead LQFP and 64-pad QFN Package Outlines .....   | 9         |
|          | 4.2 64-lead LQFP and 64-pad QFN Pinout .....   | 10        |
|          | 4.3 48-lead LQFP and 48-pad QFN Package Outlines .....   | 11        |
|          | 4.4 48-lead LQFP and 48-pad QFN Pinout .....   | 11        |
| <b>5</b> | <b>Power Considerations .....</b>  | <b>12</b> |
|          | 5.1 Power Supplies .....   | 12        |
|          | 5.2 Power Consumption .....  | 12        |
|          | 5.3 Voltage Regulator .....  | 12        |
|          | 5.4 Typical Powering Schematics .....  | 13        |
| <b>6</b> | <b>I/O Lines Considerations .....</b>  | <b>14</b> |
|          | 6.1 JTAG Port Pins .....   | 14        |
|          | 6.2 Test Pin .....   | 14        |
|          | 6.3 Reset Pin .....  | 14        |
|          | 6.4 ERASE Pin .....  | 14        |
|          | 6.5 PIO Controller A Lines .....   | 14        |
|          | 6.6 I/O Line Drive Levels .....  | 15        |
| <b>7</b> | <b>Processor and Architecture .....</b>  | <b>16</b> |
|          | 7.1 ARM7TDMI Processor .....   | 16        |
|          | 7.2 Debug and Test Features .....  | 16        |
|          | 7.3 Memory Controller .....  | 16        |
|          | 7.4 Peripheral DMA Controller .....  | 17        |
| <b>8</b> | <b>Memories .....</b>  | <b>18</b> |
|          | 8.1 AT91SAM7S512 .....   | 18        |
|          | 8.2 AT91SAM7S256 .....   | 18        |

|           |  |           |
|-----------|--|-----------|
| 8.3       | AT91SAM7S128 .....   | 18        |
| 8.4       | AT91SAM7S64 .....  | 19        |
| 8.5       | AT91SAM7S321/32 .....                                      | 19        |
| 8.6       | AT91SAM7S161/16 .....                                      | 19        |
| 8.7       | Memory Mapping .....                                       | 21        |
| 8.8       | Embedded Flash .....                                       | 22        |
| 8.9       | Fast Flash Programming Interface .....                     | 25        |
| 8.10      | SAM-BA Boot Assistant .....                                | 25        |
| <b>9</b>  | <b>System Controller .....</b>                             | <b>26</b> |
| 9.1       | Reset Controller .....                                     | 29        |
| 9.2       | Clock Generator .....                                      | 30        |
| 9.3       | Power Management Controller .....                          | 30        |
| 9.4       | Advanced Interrupt Controller .....                        | 31        |
| 9.5       | Debug Unit .....   | 32        |
| 9.6       | Periodic Interval Timer .....                              | 32        |
| 9.7       | Watchdog Timer .....                                       | 32        |
| 9.8       | Real-time Timer .....                                      | 32        |
| 9.9       | PIO Controller .....                                       | 33        |
| 9.10      | Voltage Regulator Controller .....                         | 33        |
| <b>10</b> | <b>Peripherals .....</b>                                   | <b>34</b> |
| 10.1      | User Interface .....                                       | 34        |
| 10.2      | Peripheral Identifiers .....                               | 34        |
| 10.3      | Peripheral Multiplexing on PIO Lines .....                 | 35        |
| 10.4      | PIO Controller A Multiplexing .....                        | 36        |
| 10.5      | Serial Peripheral Interface .....                          | 38        |
| 10.6      | Two-wire Interface .....                                   | 38        |
| 10.7      | USART .....  | 38        |
| 10.8      | Serial Synchronous Controller .....                        | 39        |
| 10.9      | Timer Counter .....  | 39        |
| 10.10     | PWM Controller .....                                       | 40        |
| 10.11     | USB Device Port (Does not pertain to AT91SAM7S32/16) ..... | 40        |
| 10.12     | Analog-to-digital Converter .....                          | 40        |
| <b>11</b> | <b>ARM7TDMI Processor Overview .....</b>                   | <b>41</b> |
| 11.1      | Overview .....   | 41        |
| 11.2      | ARM7TDMI Processor .....                                   | 42        |

|           |  |           |
|-----------|--|-----------|
| <b>12</b> | <b><i>Debug and Test Features</i></b>                    | <b>47</b> |
| 12.1      | Description  | 47        |
| 12.2      | Block Diagram  | 47        |
| 12.3      | Application Examples                                     | 48        |
| 12.4      | Debug and Test Pin Description                           | 50        |
| 12.5      | Functional Description                                   | 51        |
| <b>13</b> | <b><i>Reset Controller (RSTC)</i></b>                    | <b>57</b> |
| 13.1      | Overview   | 57        |
| 13.2      | Block Diagram  | 57        |
| 13.3      | Functional Description                                   | 58        |
| 13.4      | Reset Controller (RSTC) User Interface                   | 68        |
| <b>14</b> | <b><i>Real-time Timer (RTT)</i></b>                      | <b>75</b> |
| 14.1      | Overview   | 75        |
| 14.2      | Block Diagram  | 75        |
| 14.3      | Functional Description                                   | 75        |
| 14.4      | Real-time Timer (RTT) User Interface                     | 77        |
| <b>15</b> | <b><i>Periodic Interval Timer (PIT)</i></b>              | <b>81</b> |
| 15.1      | Overview   | 81        |
| 15.2      | Block Diagram  | 81        |
| 15.3      | Functional Description                                   | 82        |
| 15.4      | Periodic Interval Timer (PIT) User Interface             | 84        |
| <b>16</b> | <b><i>Watchdog Timer (WDT)</i></b>                       | <b>87</b> |
| 16.1      | Overview   | 87        |
| 16.2      | Block Diagram  | 87        |
| 16.3      | Functional Description                                   | 88        |
| 16.4      | Watchdog Timer (WDT) User Interface                      | 90        |
| <b>17</b> | <b><i>Voltage Regulator Mode Controller (VREG)</i></b>   | <b>93</b> |
| 17.1      | Overview   | 93        |
| 17.2      | Voltage Regulator Power Controller (VREG) User Interface | 94        |
| <b>18</b> | <b><i>Memory Controller (MC)</i></b>                     | <b>95</b> |
| 18.1      | Overview   | 95        |
| 18.2      | Block Diagram  | 95        |
| 18.3      | Functional Description                                   | 96        |
| 18.4      | Memory Controller (MC) User Interface                    | 99        |

|           |   |            |
|-----------|---|------------|
| <b>19</b> | <b><i>Embedded Flash Controller (EFC)</i></b>         | <b>103</b> |
| 19.1      | <b>Overview</b>                                       | <b>103</b> |
| 19.2      | Functional Description                                | 103        |
| 19.3      | Embedded Flash Controller (EFC) User Interface        | 113        |
| <b>20</b> | <b><i>Fast Flash Programming Interface (FFPI)</i></b> | <b>121</b> |
| 20.1      | Overview  | 121        |
| 20.2      | Parallel Fast Flash Programming                       | 122        |
| 20.3      | Serial Fast Flash Programming                         | 134        |
| <b>21</b> | <b><i>AT91SAM7 Boot Program</i></b>                   | <b>141</b> |
| 21.1      | Description   | 141        |
| 21.2      | Flow Diagram  | 141        |
| 21.3      | Device Initialization with USB                        | 142        |
| 21.4      | Device Initialization without USB                     | 142        |
| 21.5      | SAM-BA Boot   | 143        |
| 21.6      | Hardware and Software Constraints                     | 148        |
| <b>22</b> | <b><i>Peripheral DMA Controller (PDC)</i></b>         | <b>149</b> |
| 22.1      | Overview  | 149        |
| 22.2      | Block Diagram   | 149        |
| 22.3      | Functional Description                                | 150        |
| 22.4      | Peripheral DMA Controller (PDC) User Interface        | 152        |
| <b>23</b> | <b><i>Advanced Interrupt Controller (AIC)</i></b>     | <b>159</b> |
| 23.1      | Overview  | 159        |
| 23.2      | Block Diagram   | 159        |
| 23.3      | Application Block Diagram                             | 160        |
| 23.4      | AIC Detailed Block Diagram                            | 160        |
| 23.5      | I/O Line Description                                  | 160        |
| 23.6      | Product Dependencies                                  | 161        |
| 23.7      | Functional Description                                | 162        |
| 23.8      | Advanced Interrupt Controller (AIC) User Interface    | 174        |
| <b>24</b> | <b><i>Clock Generator</i></b>                         | <b>185</b> |
| 24.1      | Overview  | 185        |
| 24.2      | Slow Clock RC Oscillator                              | 185        |
| 24.3      | Main Oscillator                                       | 185        |
| 24.4      | Divider and PLL Block                                 | 187        |

|           |   |            |
|-----------|---|------------|
| <b>25</b> | <b><i>Power Management Controller (PMC)</i></b> .....                       | <b>189</b> |
| 25.1      | Description .....   | 189        |
| 25.2      | Master Clock Controller .....   | 189        |
| 25.3      | Processor Clock Controller .....  | 190        |
| 25.4      | USB Clock Controller .....  | 190        |
| 25.5      | Peripheral Clock Controller .....   | 190        |
| 25.6      | Programmable Clock Output Controller .....                                  | 191        |
| 25.7      | Programming Sequence .....  | 191        |
| 25.8      | Clock Switching Details .....   | 195        |
| 25.9      | Power Management Controller (PMC) User Interface .....                      | 198        |
| <b>26</b> | <b><i>Debug Unit (DBGU)</i></b> .....                                       | <b>213</b> |
| 26.1      | Overview .....  | 213        |
| 26.2      | Block Diagram .....   | 214        |
| 26.3      | Product Dependencies .....  | 215        |
| 26.4      | UART Operations .....   | 215        |
| 26.5      | Debug Unit (DBGU) User Interface .....                                      | 222        |
| <b>27</b> | <b><i>Parallel Input/Output Controller (PIO)</i></b> .....                  | <b>237</b> |
| 27.1      | Overview .....  | 237        |
| 27.2      | Block Diagram .....   | 238        |
| 27.3      | Product Dependencies .....  | 239        |
| 27.4      | Functional Description .....  | 240        |
| 27.5      | I/O Lines Programming Example .....   | 244        |
| 27.6      | Parallel Input/Output Controller (PIO) User Interface .....                 | 246        |
| <b>28</b> | <b><i>Serial Peripheral Interface (SPI)</i></b> .....                       | <b>263</b> |
| 28.1      | Overview .....  | 263        |
| 28.2      | Block Diagram .....   | 264        |
| 28.3      | Application Block Diagram .....   | 264        |
| 28.4      | Signal Description .....  | 265        |
| 28.5      | Product Dependencies .....  | 265        |
| 28.6      | Functional Description .....  | 266        |
| 28.7      | Serial Peripheral Interface (SPI) User Interface User Interface .....       | 275        |
| <b>29</b> | <b><i>Two-wire Interface (TWI) AT91SAM7S512/256/128/64/321/32</i></b> ..... | <b>289</b> |
| 29.1      | Overview .....  | 289        |
| 29.2      | List of Abbreviations .....   | 289        |
| 29.3      | Block Diagram .....   | 290        |

|           |  |                   |
|-----------|--|-------------------|
| 29.4      | Application Block Diagram .....  | 290               |
| 29.5      | Product Dependencies .....   | 290               |
| 29.6      | Functional Description .....   | 291               |
| 29.7      | Two-wire Interface (TWI) User Interface .....  | 303               |
| <b>30</b> | <b><i>Two Wire Interface (TWI) AT91SAM7S161/16 .....</i></b>                         | <b><i>313</i></b> |
| 30.1      | Overview .....   | 313               |
| 30.2      | List of Abbreviations .....  | 313               |
| 30.3      | Block Diagram .....  | 314               |
| 30.4      | Application Block Diagram .....  | 314               |
| 30.5      | Product Dependencies .....   | 315               |
| 30.6      | Functional Description .....   | 315               |
| 30.7      | Master Mode .....  | 317               |
| 30.8      | Multi-master Mode .....  | 328               |
| 30.9      | Slave Mode .....   | 331               |
| 30.10     | Two-wire Interface (TWI) User Interface .....  | 339               |
| <b>31</b> | <b><i>Universal Synchronous Asynchronous Receiver Transceiver (USART) .....</i></b>  | <b><i>353</i></b> |
| 31.1      | Overview .....   | 353               |
| 31.2      | Block Diagram .....  | 354               |
| 31.3      | Application Block Diagram .....  | 355               |
| 31.4      | I/O Lines Description .....  | 356               |
| 31.5      | Product Dependencies .....   | 357               |
| 31.6      | Functional Description .....   | 358               |
| 31.7      | Universal Synchronous Asynchronous Receiver Transmitter (USART) User Interface ..... | 383               |
| <b>32</b> | <b><i>Synchronous Serial Controller (SSC) .....</i></b>                              | <b><i>403</i></b> |
| 32.1      | Description .....  | 403               |
| 32.2      | Block Diagram .....  | 404               |
| 32.3      | Application Block Diagram .....  | 404               |
| 32.4      | Pin Name List .....  | 405               |
| 32.5      | Product Dependencies .....   | 405               |
| 32.6      | Functional Description .....   | 405               |
| 32.7      | SSC Application Examples .....   | 417               |
| 32.8      | Synchronous Serial Controller (SSC) User Interface .....                             | 419               |
| <b>33</b> | <b><i>Timer Counter (TC) .....</i></b>   | <b><i>441</i></b> |

|           |  |            |
|-----------|--|------------|
| 33.1      | Overview .....   | 441        |
| 33.2      | Block Diagram .....  | 442        |
| 33.3      | Pin Name List .....  | 443        |
| 33.4      | Product Dependencies .....                                   | 443        |
| 33.5      | Functional Description .....                                 | 444        |
| 33.6      | Timer Counter (TC) User Interface .....                      | 457        |
| <b>34</b> | <b><i>Pulse Width Modulation Controller (PWM)</i></b> .....  | <b>475</b> |
| 34.1      | overview .....   | 475        |
| 34.2      | Block Diagram .....  | 475        |
| 34.3      | I/O Lines Description .....                                  | 476        |
| 34.4      | Product Dependencies .....                                   | 476        |
| 34.5      | Functional Description .....                                 | 476        |
| 34.6      | Pulse Width Modulation Controller (PWM) User Interface ..... | 484        |
| <b>35</b> | <b><i>USB Device Port (UDP)</i></b> .....                    | <b>495</b> |
| 35.1      | Overview .....   | 495        |
| 35.2      | Block Diagram .....  | 496        |
| 35.3      | Product Dependencies .....                                   | 497        |
| 35.4      | Typical Connection .....                                     | 498        |
| 35.5      | Functional Description .....                                 | 500        |
| 35.6      | USB Device Port (UDP) User Interface .....                   | 514        |
| <b>36</b> | <b><i>Analog-to-Digital Converter (ADC)</i></b> .....        | <b>533</b> |
| 36.1      | Overview .....   | 533        |
| 36.2      | Block Diagram .....  | 533        |
| 36.3      | Signal Description .....                                     | 534        |
| 36.4      | Product Dependencies .....                                   | 534        |
| 36.5      | Functional Description .....                                 | 535        |
| 36.6      | Analog-to-Digital Converter (ADC) User Interface .....       | 540        |
| <b>37</b> | <b><i>AT91SAM7S Electrical Characteristics</i></b> .....     | <b>553</b> |
| 37.1      | Absolute Maximum Ratings .....                               | 553        |
| 37.2      | DC Characteristics .....                                     | 554        |
| 37.3      | Power Consumption .....                                      | 557        |
| 37.4      | Crystal Oscillators Characteristics .....                    | 563        |
| 37.5      | PLL Characteristics .....                                    | 566        |
| 37.6      | Master Clock Characteristics .....                           | 566        |
| 37.7      | I/O Characteristics .....                                    | 566        |



|           |   |                   |
|-----------|---|-------------------|
| 37.8      | USB Transceiver Characteristics .....                                     | 568               |
| 37.9      | ADC Characteristics .....   | 570               |
| 37.10     | AC Characteristics .....  | 572               |
| <b>38</b> | <b><i>Mechanical Characteristics .....</i></b>                            | <b><i>581</i></b> |
| 38.1      | Package Drawings .....  | 581               |
| 38.2      | LQFP Packages .....   | 581               |
| 38.3      | QFN Packages .....  | 584               |
| 38.4      | Soldering Profile .....   | 588               |
| <b>39</b> | <b><i>AT91SAM7S Ordering Information .....</i></b>                        | <b><i>589</i></b> |
| <b>40</b> | <b><i>Errata .....</i></b>  | <b><i>591</i></b> |
| 40.1      | Marking .....   | 591               |
| 40.2      | Errata Summary by Product and Revision or Manufacturing Number .....      | 592               |
| 40.3      | Errata Organization by Product and Revision or Manufacturing Number ..... | 594               |
| 40.4      | AT91SAM7S512 Errata - Revision A Parts .....                              | 595               |
| 40.5      | AT91SAM7S256 Errata - Manufacturing Number 58818C .....                   | 603               |
| 40.6      | AT91SAM7S256 Errata - Revision A Parts .....                              | 614               |
| 40.7      | AT91SAM7S256 Errata - Revision B Parts .....                              | 624               |
| 40.8      | AT91SAM7S128 Errata - Manufacturing Number 58818C .....                   | 633               |
| 40.9      | AT91SAM7S128 Errata - Revision A Parts .....                              | 644               |
| 40.10     | AT91SAM7S128 Errata - Revision B Parts .....                              | 654               |
| 40.11     | AT91SAM7S64 Errata - Manufacturing Number 58814G .....                    | 663               |
| 40.12     | AT91SAM7S64 Errata - Revision A Parts .....                               | 673               |
| 40.13     | AT91SAM7S64 Errata - Revision B Parts .....                               | 682               |
| 40.14     | AT91SAM7S321 Errata - Revision A Parts .....                              | 692               |
| 40.15     | AT91SAM7S32 Errata - Manufacturing Number 58814G .....                    | 700               |
| 40.16     | AT91SAM7S32 Errata - Revision A Parts .....                               | 710               |
| 40.17     | AT91SAM7S32 Errata - Revision B Parts .....                               | 719               |
| 40.18     | AT91SAM7S161 Errata - Revision A Parts .....                              | 728               |
| 40.19     | AT91SAM7S16 Errata - Revision A Parts .....                               | 733               |
|           | <b><i>Revision History.....</i></b>                                       | <b><i>739</i></b> |
|           | <b><i>Table of Contents.....</i></b>                                      | <b><i>753</i></b> |





## Headquarters

---

**Atmel Corporation**  
2325 Orchard Parkway  
San Jose, CA 95131  
USA  
Tel: 1(408) 441-0311  
Fax: 1(408) 487-2600

## International

---

**Atmel Asia**  
Unit 1-5 & 16, 19/F  
BEA Tower, Millennium City 5  
418 Kwun Tong Road  
Kwun Tong, Kowloon  
Hong Kong  
Tel: (852) 2245-6100  
Fax: (852) 2722-1369

**Atmel Europe**  
Le Krebs  
8, Rue Jean-Pierre Timbaud  
BP 309  
78054 Saint-Quentin-en-  
Yvelines Cedex  
France  
Tel: (33) 1-30-60-70-00  
Fax: (33) 1-30-60-71-11

**Atmel Japan**  
9F, Tonetsu Shinkawa Bldg.  
1-24-8 Shinkawa  
Chuo-ku, Tokyo 104-0033  
Japan  
Tel: (81) 3-3523-3551  
Fax: (81) 3-3523-7581

## Product Contact

---

**Web Site**  
[www.atmel.com](http://www.atmel.com)  
[www.atmel.com/AT91SAM](http://www.atmel.com/AT91SAM)

**Technical Support**  
[AT91SAM Support](mailto:AT91SAM_Support@atmel.com)  
[Atmel technical support](mailto:ATmel_techincal_support@atmel.com)

**Sales Contacts**  
[www.atmel.com/contacts/](http://www.atmel.com/contacts/)

**Literature Requests**  
[www.atmel.com/literature](http://www.atmel.com/literature)

---

**Disclaimer:** The information in this document is provided in connection with Atmel products. No license, express or implied, by estoppel or otherwise, to any intellectual property right is granted by this document or in connection with the sale of Atmel products. **EXCEPT AS SET FORTH IN ATMEL'S TERMS AND CONDITIONS OF SALE LOCATED ON ATMEL'S WEB SITE, ATMEL ASSUMES NO LIABILITY WHATSOEVER AND DISCLAIMS ANY EXPRESS, IMPLIED OR STATUTORY WARRANTY RELATING TO ITS PRODUCTS INCLUDING, BUT NOT LIMITED TO, THE IMPLIED WARRANTY OF MERCHANTABILITY, FITNESS FOR A PARTICULAR PURPOSE, OR NON-INFRINGEMENT. IN NO EVENT SHALL ATMEL BE LIABLE FOR ANY DIRECT, INDIRECT, CONSEQUENTIAL, PUNITIVE, SPECIAL OR INCIDENTAL DAMAGES (INCLUDING, WITHOUT LIMITATION, DAMAGES FOR LOSS OF PROFITS, BUSINESS INTERRUPTION, OR LOSS OF INFORMATION) ARISING OUT OF THE USE OR INABILITY TO USE THIS DOCUMENT, EVEN IF ATMEL HAS BEEN ADVISED OF THE POSSIBILITY OF SUCH DAMAGES.** Atmel makes no representations or warranties with respect to the accuracy or completeness of the contents of this document and reserves the right to make changes to specifications and product descriptions at any time without notice. Atmel does not make any commitment to update the information contained herein. Unless specifically provided otherwise, Atmel products are not suitable for, and shall not be used in, automotive applications. Atmel's products are not intended, authorized, or warranted for use as components in applications intended to support or sustain life.



© 2009 Atmel Corporation. All rights reserved. Atmel®, Atmel logo and combinations thereof, DataFlash®, SAM-BA® and others, are registered trademarks or trademarks of Atmel Corporation or its subsidiaries. Windows® and others are registered trademarks or trademarks of Microsoft Corporation in the US and/or in other countries. ARM®, the ARM Powered® logo, ARM7TDMI®, Thumb®, and others are registered trademarks or trademarks of ARM Limited. Other terms and product names may be the trademarks of others.