

A

B

C

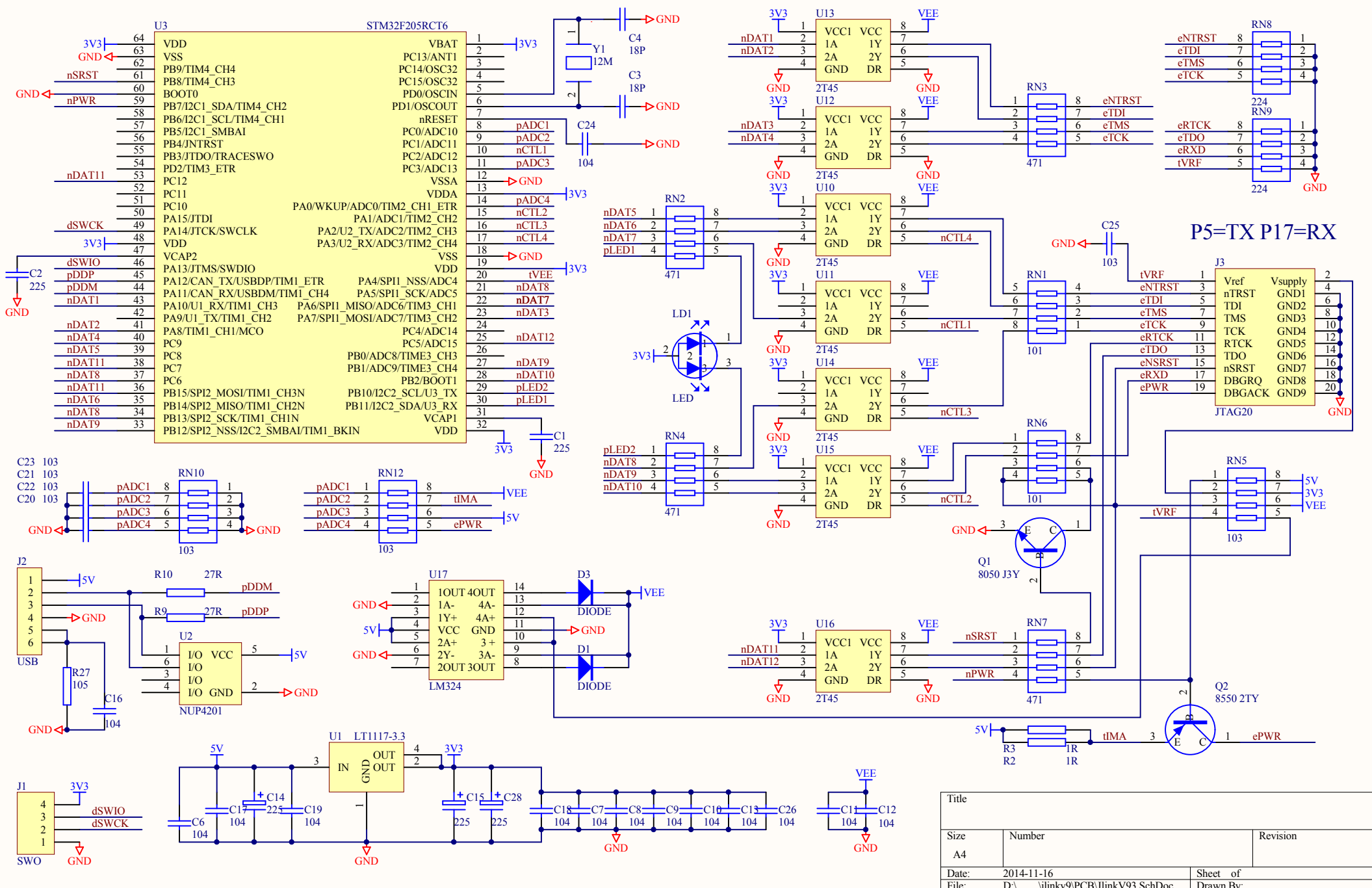
D

A

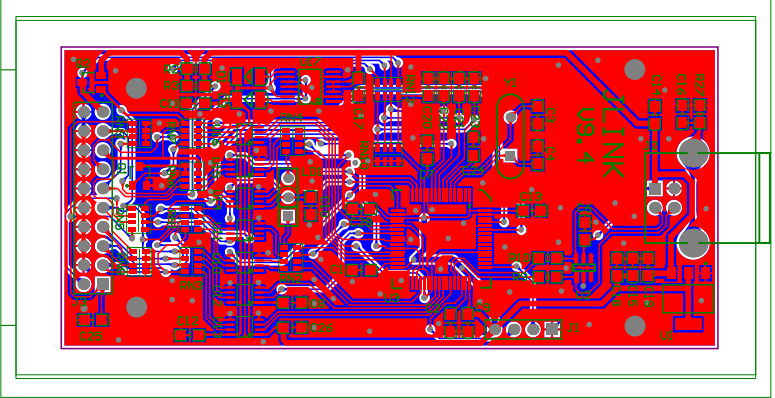
B

C

D



Title		
Size	Number	Revision
A4		
Date:	2014-11-16	Sheet of
File:	D:\link9\PCBJlinkV93.SchDoc	Drawn By:



Bill of Materials

Bill of Materials For Project [JlinkV93.PrjPcb] (No PCB Document Selected)

Source Data From: JlinkV93.PrjPcb
 Project: JlinkV93.PrjPcb
 Variant: None

Creation Date: 2014-11-16 22:29:45
 Print Date: 41959 41959.93753

Footprint	Comment	LibRef	Designator	Description	Quantity
0805C	225	CAP, ELECTRO1	C1, C2, C14, C15, C28	Capacitor, Electrolytic Capacitor	5
0805C	18P	CAP	C3, C4	Capacitor	2
0805C	104	CAP	C6, C7, C8, C9, C10, C11, C12, C13, C16, C17, C18, C19, C24, C26	Capacitor	14
0805C	103	CAP	C20, C21, C22, C23, C25	Capacitor	5
1206D	DIODE	DIODE	D1, D3	Diode	2
HDR1X4	SWO	Header 4	J1	Header, 4-Pin	1
USB-B-MBI	USB	CON6	J2	Connector	1
HDR2X10	JTAG20	JTAG20	J3		1
SIP3	LED	LED-S-1	LD1		1
SOT23-G3-S	8050 J3Y	NPN	Q1	NPN Transistor	1
SOT23-G3-S	8550 2TY	PNP	Q2	PNP Transistor	1
0805R	1R	RES2	R2, R3		2
0805R	27R	RES2	R9, R10		2
0805R	105	RES2	R27		1
RN4	101	RN4	RN1, RN6		2
RN4	471	RN4	RN2, RN3, RN4, RN7		4
RN4	103	RN4	RN5, RN10, RN12		3
RN4	224	RN4	RN8, RN9		2
SOT-223	LT1117-3.3	LT1117-3.3	U1		1
SOP6	NUP4201	NUP4201	U2	NUP4201 or NUP4114 by ON	1
LQFP64	STM32F205RCT6	STM32F103RBT6	U3		1
SSOP8	2T45	2T45	U10, U11, U12, U13, U14, U15, U16		7
SSOP14	LM324	LM324	U17		1
XTAL	12M	XTAL	Y1		1

62

Approved	Notes

