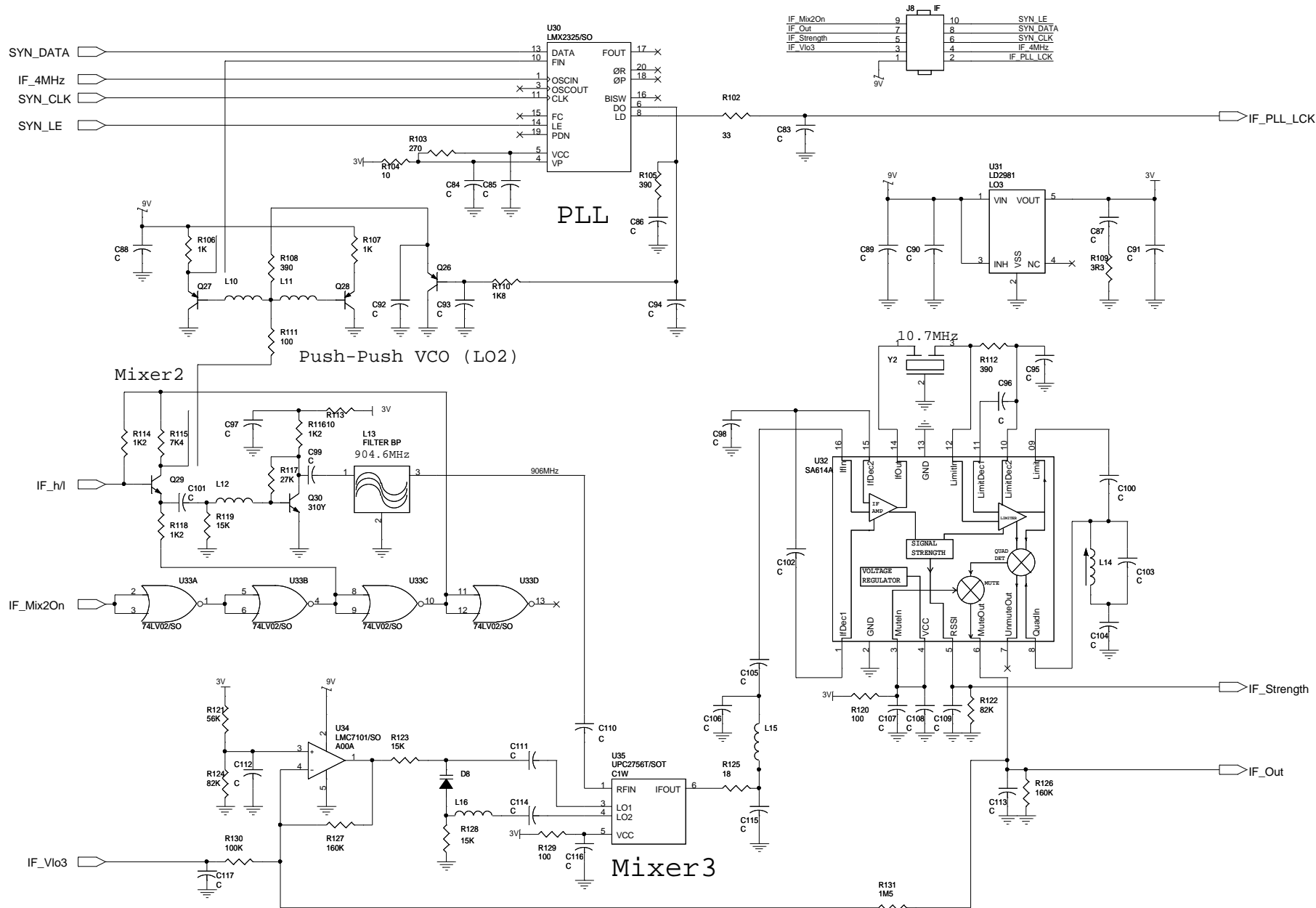
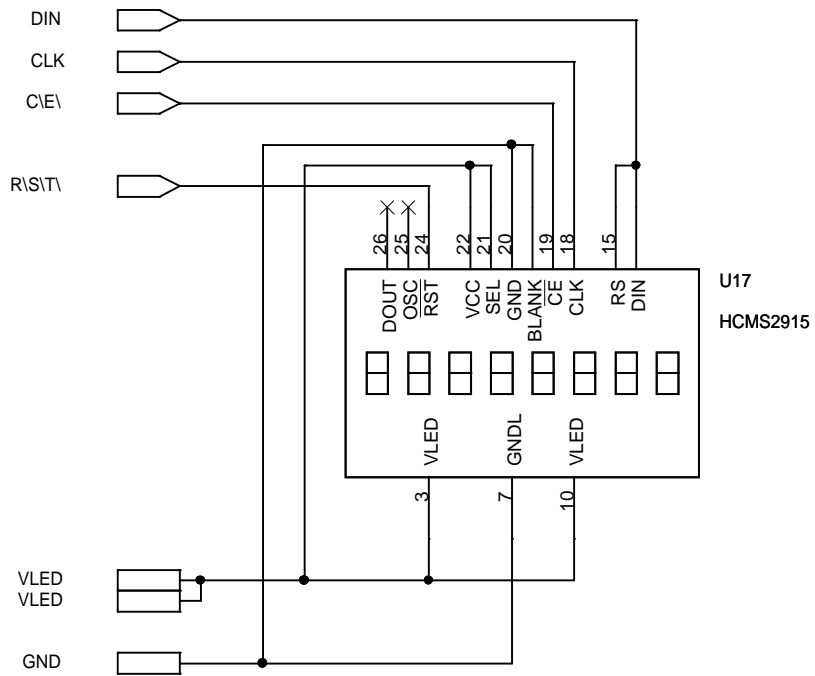


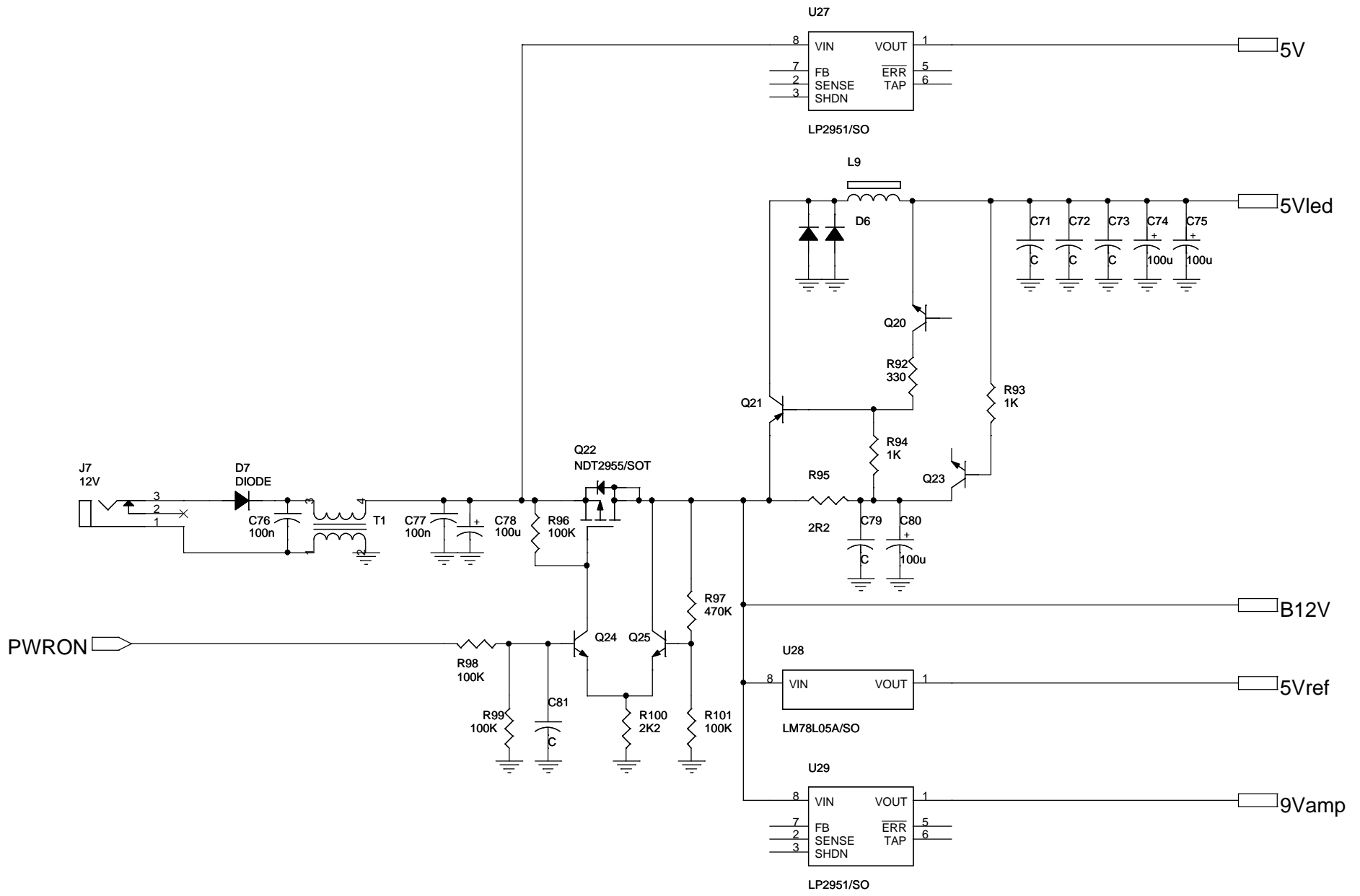
Title		
Beltronics Euro 550 - partial schematic (laser and HF excluded)		
Size	Document Number	Rev
A3	<Doc>	0.3
Date:	Thursday, September 02, 2010	Sheet 1 of 4



Title		
Beltronics 550 - Intermediate Frequency		
Size	Document Number	Rev
A3	<Doc>	0.3
Date:	Wednesday, September 29, 2010	Sheet 2 of 4



Title		
Beltronics 550 - LED Display		
Size	Document Number	Rev
A	<Doc>	0.1
Date:	Friday, July 16, 2010	Sheet 3 of 4



Title		
Beltronics 550 - Power Supply		
Size	Document Number	Rev
A4	<Doc>	0.2
Date:	Friday, July 16, 2010	Sheet 4 of 4